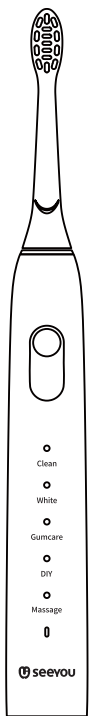


S9000 Product Manual



IMPORTANT SAFEGUARDS

Your toothbrush has been carefully designed to offer you and your family a unique brushing experience that is both safe and effective.

When using electrical products, especially when children are present, basic safety precautions should always be followed, including the following:

Read all instructions before using.

DANGER

In order to reduce the risk of electrocution:

1. Do not use while bathing.
2. Do not place or store the charger where it can fall or be pulled into a tub or sink.
3. Do not place the charger in water or other liquid.
4. Do not reach for a charger that has fallen into water. Unplug immediately.

WARNING

To reduce the risk of burns, electrocution, fire or injury:

1. Close supervision is necessary when this product is used by, on, or near children or persons with disabilities.
2. Use this product only for its intended use as described in this manual. Do not use attachments not recommended by the manufacturer.
3. Keep cord away from heated surfaces.
4. Never drop the appliance or insert any object into any opening of the appliance.
5. Never operate this product if it has a damaged cord or plug, if it is not working properly, if it has been dropped or damaged or if it has been dropped into water. If any of these occur, please contact a service center and return the product for examination and repair.
6. Do not use on self when drowsy or on another who is drowsy or sleeping.
7. Do not use outdoors or operate where aerosol (spray) products are being used or where oxygen is being administered.

IMPORTANT

1. Check the product/power cord/attachment regularly for faults. Do not use any units that are damaged or malfunctioning. If the product/power cord/attach-

ment are damaged, please return them to Seeyou service center.

2. Please do not modify or repair the product. This might cause fire, shock, or injury. For repairs, please contact your retailer or Seeyou service center.
3. This product contains irreplaceable batteries. This device does not contain any components that can be repaired by the user. Please do not open or dismantle the device for any reason other than disposing of the batteries. Please follow the manual to dispose of the batteries or the product.
4. Do not use it on children below the age of 3.
5. This toothbrush is a personal care device. It is not suitable to use on multiple patients in dental clinics or agencies.

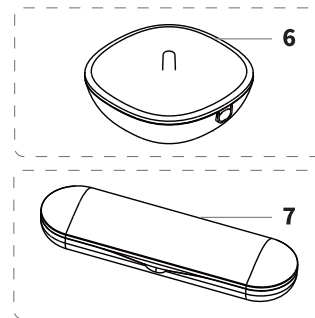
CAUTION

To avoid brush head breakage which may generate a small parts choking hazard or damage teeth:

1. Prior to each use, ensure the brush head fits well. Discontinue use of the toothbrush, if brush head no longer fits properly. Never use without a brush head.
2. If the toothbrush handle is dropped, the brush head should be replaced before the next use even if no damage is visible
3. Replace brush head every 3 months or sooner if brush head becomes worn .
4. Clean brush head properly after each use (see [Cleaning recommendations] paragraph). Proper cleaning ensures the safe use and functional life of the toothbrush.
5. If you are undergoing treatment for any oral care condition, consult your dental professional prior to use.

IMPORTANT INFORMATION

- Your Seeyou toothbrush can be used with your smartphone (find details under [Connecting your Toothbrush] to your Smartphone).
- To avoid electromagnetic interference and/or compatibility conflicts, deactivate the radio transmission of your toothbrush handle(2) before using it in restricted surroundings, such as aircrafts or specially marked areas in hospitals.
- Persons with pacemakers should always keep the toothbrush more than six inches (15 centimeters) from the pacemaker while turned on. Anytime you suspect interference is taking place, deactivate the radio transmission of your handle.



Description

1. Brush head
2. Power Button or Tooth-Brushing Mode button
3. Handle
4. Toothbrush mode display
5. Power indicator

Accessories (depending on model):

6. Basic charger
7. Basic travel case

Note: The content may differ depending on the model you bought.

Specifications:

Product Model: S9000
Voltage: DC3.7V
Power: 2.0W
Material: ABS+PP
Noise level: ≤55dB(A)

Charging and Operating

Your toothbrush has a waterproof handle. It is specifically designed to be used in the bathroom.

- You can use the toothbrush immediately or place it on the charger(6). You can connect the power cable to any global power voltage range (100-240V).
- **Note:** If your batteries have run out of power (Power indicator (5) is not lit up when charging or no reaction after pressing the Power Button (2)).
- Fully charging the battery usually takes 12 hours. You can use it to brush your teeth normally for 60- days (Brushing twice a day for two minutes).

CHARGING GUIDE	CONDITION
Low power	Red light flashing
Charging	Green light flashing
Charged full	Green light stays on

- You can place the toothbrush onto the charger at any time so it remains at full power at all times. The device prevents the batteries from being overcharged.
- **Note:** Please store the toothbrush at room temperature for optimal battery maintenance.
- **Caution:** Do not expose handle to a temperature higher than 50 °C /122°F.

Using your toothbrush

Brushing Technique

Wet the brush head and apply your desired toothpaste. Please place the brush head on your teeth before turning on the handle to prevent spilling. When brushing your teeth, slowly guide the brush head one tooth to the other. Spend a few seconds on each tooth. Apply pressure gently and move back and forth to brush your teeth as if you are brushing your teeth manually. Use the brush head to clean the exterior, then the interior, and finally, the molars. Brush all four quadrants of your teeth evenly. We recommend using the Bass brushing technique. You may seek advice from your dentist or dental specialist to understand which brushing technique suits you.

On the first day of using any electric toothbrush, your gums may bleed slightly. Normally, it will stop after a few days. If the bleeding does not stop after two weeks, please seek advice from your dentist or dental specialist. If your teeth or gums are sensitive, Seeyou recommend using Gumcare or Massage with the SY9001 brush head.

Timer

- After turning on the toothbrush, you can choose the mode in 5 seconds
- "2-minute" timer will stop for 1 second to notify you to change areas for cleaning.
- Even when you switched off the handle temporarily while brushing your teeth, the timer will remember the time used. If the time you stopped exceeds 30 seconds, tapping the Mode Button (2) or putting the handle back onto the charger will reset the timer.
- Setting the timer: Your toothbrush is installed with a professional timer. You can use our app to configure the setting of the timer. We have prepared 2/3/4 minutes settings for your convenience.

Tooth-Brushing Modes

The Tooth-Brushing Mode Indicator (4) is on the handle. (The indicator

light will light up when choosing the mode):

- [Clean]** Standard day-to-day cleaning mode
- [White]** Polish daily or once in a while
- [Gum care]** Gently massage the gums
- [DIY]** Adjusted according to personal preference
- [Massage]** Massage mode

Brush heads

The various Seeyou Brush Heads provided for your Seeyou toothbrush.



Seeyou SY9001

Characteristic:
Gentle on the gums

Seeyou SY9002

Characteristic:
Removes dental plaque

Seeyou brush head series are made using DUPONT TOOTHBRUSH FILAMENTS. They are made according to your specific needs to achieve a better tooth-brushing experience. Seeyou cares about your dental hygiene, we use intelligent apps to support you in understanding your dental health and reduce the chances of bleeding gums. Most Seeyou brush heads have light blue INDICATOR® bristles. They can help notify you when you need to replace your brush head. If you brush your teeth twice every day for two minutes per session, the blue bristles will fade in around three months, indicating the need to replace the brush head. If the bristles bend out before the color fades, you may have used too much force on your teeth and gums.

Connecting your toothbrush to your Smartphone

The Seeyou app is available for mobile devices running the iOS operating system. It can be downloaded and installed for free from the App StoreSM or Google PlayM. Your electric toothbrush handle has a sensor installed that communicates with the app to help you detect where you are brushing and for how long, so you never miss a brushing area.

Launch the Seeyou app and it will guide you through the entire Bluetooth connection process.

Note: If the Bluetooth wireless function on your smartphone is disabled, the functionality of the Seeyou app will be limited (please refer to your smartphone's user manual for a functional description).

Q: How to activate the Bluetooth connection function of the toothbrush?

A: When using the toothbrush for the first time, you need to press and hold the power button to activate Bluetooth. The app will scan for it. You need to select your toothbrush to bind in the Bluetooth hardware list.

Q: How to register and log in?

A: You can use your email for account registration. After successful registration, the system will automatically log in and jump to the home page.

Note: If you do not want to register and log in temporarily, you can log in as a tourist, but you cannot experience the complete app service as a tourist. It is recommended that you register simply to experience the complete service.

Q: How to use the brushing guide function?

A: After entering the brushing guide program, the system will divide your teeth into 16 areas, and divide the brushing time for each area. You can brush your teeth according to the 3D animation prompts on

the interface. If the program detects an error while brushing your teeth, a pop-up prompt will appear until you correct the error.

Q: How can I view my report?

A: After you enter the homepage, you will first see your brushing data in the last five days. You can switch the calendar to view the brushing data on the corresponding date.

The brushing data is divided into [Brushing Duration] and [Brushing Coverage], as well as the brushing mode and intensity. And every time you brush your teeth, you can follow the prompts to record whether your gums are bleeding.

NOTE: When using the toothbrush with your smartphone, keep it close (within 5m/16ft distance) and keep your smartphone safe in a dry place.

Transfer offline data to APP

Press and hold the power button (2) for more than 5 seconds → Green light flashing → Open the APP → Log in your account → Connect toothbrush → Enter the wait-for-data page → End.

NOTE:

- 1. The wait-for-data page will automatically close after the end. please wait patiently.**
- 2. We recommend that you use the brushing guide in the APP first. using the online brushing guide can help you built muscle memory and correct your brushing posture.**
- 3. The use of the left hand may cause data deviation of the tooth area, which is unavoidable, please understand!**

hardware and software. Seeyou is not responsible for any damage or loss of any programs, data or other information stored on any media within the product, or any non-Seeyou branded product, or parts not covered by this limited warranty. This limited warranty does not cover recovery or reinstallation of programs, data or other information.

2) Disclaimer

To the extent permitted by applicable law, under no circumstances shall Seeyou be liable to you or any third party for any direct, indirect, incidental consequences, especially exemplary or punitive causes, for damages. Including but not limited to: personal injury, property damage, loss of value of any third-party product used in or with the Seeyou accessory, or inability to use the Seeyou accessory or any third-party product for use with the Seeyou accessory, even if Seeyou has been Inform about the possibility of such damage.

Please understand and agree that we are not responsible for any damage to or damage to consumer electronic devices or other personal property, or loss of data contained within or outside of Seeyou accessories.

In no event shall any claim against Seeyou exceed the actual price paid for the product.

3) Warranty for replacement brush head

If damage to the toothbrush handle is found to be attributable to the use of a non-Seeyou replacement brush head, the Seeyou warranty will be void. Seeyou does not recommend the use of non-Seeyou replacement brush heads. Seeyou cannot control the quality of non-Seeyou replacement brush heads. Therefore, we cannot guarantee the cleaning performance of non-Seeyou replacement brush heads, as attached to the handle when first purchased, Seeyou cannot ensure a good fit with non-Seeyou replacement brush heads.

All Seeyou replacement brush heads carry the Seeyou logo and meet Seeyou's high quality standards. Seeyou does not sell replacement brush heads or handle parts under any other brand.

Method 1:
Search "Seeyou" to download App.



Trouble shooting Guide

Problem	Possible reason	Remedy
Application		
Toothbrush does not function correctly with Seeyou app.	<ol style="list-style-type: none"> 1. Seeyou APP is turned off. 2. Bluetooth not activated on smartphone. 3. Bluetooth pairing data lost. 4. Your smartphone does not support Bluetooth 4.0 (or higher). 	<ol style="list-style-type: none"> 1. Turn on Seeyou APP. 2. Activate Bluetooth on smartphone (described in its user manual). 3. Reconnect the toothbrush to the smartphone using the app. Please keep your smartphone nearby when using the toothbrush. 4. Your smartphone must support Bluetooth 4.0 (or higher) to connect to your toothbrush. Check your Google PlayTM to see which smartphone is compatible .

Satisfaction Guaranteed or Your Money Back

If you are not 100% satisfied, please contact sale@seeyoutech.com for a full refund. Please return the product with its packaging and the original receipt.

Postmark within 60 days of purchase to receive a prepaid card with the same value of purchase.

Your Seeyou toothbrush must be returned with the original packaging and postmarked within 60 days. Please leave 6-8 weeks of processing time. In the U.S., the consumer shall bear the cost of returning the product.

Apology: We will refuse to refund for any damaged Seeyou products caused by accidents, negligence, unreasonable use, or loss by mail.

Terms and conditions apply. Please contact our customer service for further information.

Trouble Shooting

Limited 1-year warrant

Seeyou guarantees there will be no material or workmanship defects within one year of purchase from the retail store. If defects appear on the device, the costs of returning the product to the sales platform are borne by the consumer while Seeyou will bear the costs of sending the product back to the consumer. This warranty does not cover surface finishing and normal wear and tear. The warranty does not cover defects caused by accidents, misuse, dirt, water, modification, unreasonable use, attempts or services by unauthorized service providers, failure to provide proper and necessary maintenance (including charging), and units that are modified or used for commercial purposes.

This product is installed with a wireless module certified by Bluetooth® Smart. The warranty does not cover the inability to use Bluetooth Smart to connect to your smartphone unless there is a defect with the device's Bluetooth wireless module. Your Bluetooth device is covered by its own manufacturer's warranty and not Seeyou's. Seeyou cannot influence or provide suggestions to your

	5. The handle is put on the charger.	5. Disable the wireless connection while the handle is put on the charger.
Toothbrush		
The toothbrush does not work (First use).	Battery has a very low charge level; no light illuminate.	Charge at least for 30 minutes.
"2-minute timer".	"2-minute timer" is activated.	Use app to change timer setting or perform factory reset (see APP Trouble Shooting).
The toothbrush does not work.	<ol style="list-style-type: none"> 1. Battery has a very low charge level. 2. Ambient temperature for charging is out of valid range ($\leq 0^{\circ}\text{C}$ and $\geq 60^{\circ}\text{C}$)/($\leq 32^{\circ}\text{F}$ and $\geq 140^{\circ}\text{F}$). 	<ol style="list-style-type: none"> 1. The charging indicator may not flash immediately. Please charge for a minimum of 30 minutes. 2. Recommended charging at a temperature of ($5^{\circ}\text{C}/41^{\circ}\text{F}$ to $35^{\circ}\text{C}/95^{\circ}\text{F}$).

Leaning recommendations

- After brushing, turn on the toothbrush and rinse the brush head under running water. Close and remove the brush head. Clean the handle and brush head separately, dry them before reassembly, unplug the base charger (6) before cleaning.
- **Note:** The charger should only be cleaned with a damp cloth.

Bluetooth device's manufacturer. Therefore, Seeyou is not responsible for the compatibility issue of our Bluetooth system with your device. Seeyou reserves the right to make technical modifications or changes to the device's system function, user interface, and menu structure. These changes are regarded as a necessity to ensure the reliable operation of Seeyou system.

All implied warranties, including any implied warranty of merchantability or fitness for any particular purpose, are valid for a period of one years from the date of the original purchase. Seeyou will not be liable for any consequential damages resulting from the use of the product in any cases.

Some states do not allow the exclusion or limitation of incidental or consequential damages. Therefore the above-mentioned limitation may not apply to you. This warranty gives you specific legal rights. You may have other legal rights depending on state to state.

How to obtain services in the United States.

If your product requires repair, please contact sale@seeyoutech.com for a referral to the sales platform.

Obtaining service:

Package the product and return it to your designated sales platform. If possible, please attach a copy of your proof of purchase to ensure to verify your warranty coverage.

To obtain original Seeyou replacement parts and attachment:

Please contact our customer service. Please contact sale@seeyoutech.com so we can send the product to your designated sales platform.

Environmental Notice

Product contains batteries and/or recyclable electrical waste. To protect the environment, do not dispose of them in household waste. For recycling, go to the e-waste disposal station available in your country.

Remove the battery at the end of the product's useful life. Do not disassemble the product except to dispose of the battery. Drain the battery before removing it. When removing the battery for disposal, please wear protective clothing (gloves, goggles, etc.) to avoid contact with the skin when the battery leaks. Be careful not to connect the positive (+) and negative (-) terminals. Insulate the terminals (eg with tape) and place the battery in a plastic bag for disposal.

Warn! Disassembling the product will damage it and void the warranty.

Information

Bluetooth wireless module

Although all functions displayed on the Bluetooth device are supported, Seeyou cannot guarantee 100% connection reliability and consistency of function operation. Operational performance and connection reliability are a direct result of each individual Bluetooth device, software version. Seeyou complies with and strictly enforces the Bluetooth standard by which Bluetooth devices can communicate and operate in the Seeyou toothbrush.

However, if device manufacturers fail to implement this standard, Bluetooth compatibility and functionality will be further compromised, and users may experience functionality-related issues.

Note that software on Bluetooth devices can significantly affect compatibility and operation.

1) Warranty - Exclusions and Limitations

This product limited warranty applies only to new products manufactured by or for Seeyou, which can be identified by the Seeyou trademark, trade name, or logo affixed to it. Warranty does not apply to any non-Seeyou branded products,

FCC Warning

This device complies with part 15 of the FCC Rules. Operation is subject to the following two conditions:(1) This device may not cause harmful interference, and (2) this device must accept any interference received, including interference that may cause undesired operation.

Any Changes or modifications not expressly approved by the party responsible for compliance could void the user's authority to operate the equipment.

This equipment has been tested and found to comply with the limits for a Class B digital device, pursuant to part 15 of the FCC Rules. These limits are designed to provide reasonable protection against harmful interference in a residential installation. This equipment generates uses and can radiate radio frequency energy and, if not installed and used in accordance with the instructions, may cause harmful interference to radio communications. However, there is no guarantee that interference will not occur in a particular installation. If this equipment does cause harmful interference to radio or television reception, which can be determined by turning the equipment off and on, the user is encouraged to try to correct the interference by one or more of the following measures:

- Reorient or relocate the receiving antenna.
- Increase the separation between the equipment and receiver.
- Connect the equipment into an outlet on a circuit different from that to which the receiver is connected.
- Consult the dealer or an experienced radio/TV technician for help.

The device has been evaluated to meet general RF exposure requirement. The device can be used in portable exposure condition without restriction.