

**User Manual of Product 1:**

NutriBullet ZNBF30500ZC Blender Combo 1200 Watt, with Single Serve Cups, Dark Gray

**User Manual of Product 2:**

Hamilton Beach Food Processor and Vegetable Chopper for Slicing, Shredding, Mincing, and Puree, 8 Cup, Black

**IMPORTANT**  
Read Before Using

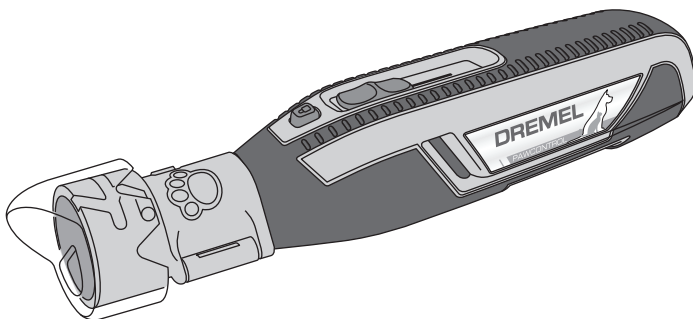
**IMPORTANT**  
Lire avant usage

**IMPORTANTE**  
Leer antes de usar



**Operating / Safety Instructions**  
**Consignes d'utilisation/de sécurité**  
**Instrucciones de funcionamiento y seguridad**

**Dremel PawControl 7760-PGK**



**DREMEL®**

Call Toll Free for Consumer Information and Service Locations  
Pour obtenir des informations et les adresses de nos centres de service après-vente, appelez ce numéro gratuit  
Llame gratis para obtener información para el consumidor y ubicaciones de servicio

**1-800-4-DREMEL (1-800-437-3635) [www.dremel.com](http://www.dremel.com)**





**For English Version**  
See page 2

**Version française**  
Voir page 37

**Versión en español**  
Ver la página 76

## Safety Symbols

The definitions below describe the level of severity for each signal word. Please read the manual and pay attention to these symbols.

	This is the safety alert symbol. It is used to alert you to potential personal injury hazards. Obey all safety messages that follow this symbol to avoid possible injury or death.
	DANGER indicates a hazardous situation which, if not avoided, will result in death or serious injury.
	WARNING indicates a hazardous situation which, if not avoided, could result in death or serious injury.
	CAUTION indicates a hazardous situation which, if not avoided, could result in minor or moderate injury.

## Important Safety Instructions

**WARNING** When using electrical appliances, basic precautions should always be followed, including the following:

- a) Read all the instructions before using the appliance
- b) To reduce the risk of injury, close supervision is necessary when appliance is used near children
- c) Do not contact moving parts
- d) Only use attachments recommended or sold by the manufacturer
- e) Do not use outdoors
- f) To reduce the risk of electrical shock, do not put 7760-PGK in water or other liquid. Do not place or store appliance where it can fall or be pulled into a tub or sink.
- g) Use only the power adapter recommended by the manufacturer to recharge.

## SAVE THESE INSTRUCTIONS

## Safety Rules for Pet Grooming

**WARNING** Read all safety warnings and all instructions. Failure to follow the warnings and instructions may result in fire and/or serious injury to a person or animal.

**Keep away from water.** Use extra caution when using rotary tool near a tub or pet washing area. Water entering a power tool will increase the risk of electric shock.

**Use personal protective equipment. Always wear eye protection.**

**This product is intended only for grooming the toenails of a dog or cat. This product is not intended for use as a dental drill, in human or veterinary medical applications. Serious injury may result.**

**Use only sanding disc accessory SD60-PGA and EZ Lock™ mandrel EZ402 with**

**AT01-PGA attachment.** Use of any other accessory may result in serious injury.

**Do not use AT01-PGA attachment without all components installed according to operating instructions.** Any other use is a misuse and could result in injury.

**Recommended maximum operating speed for most pet grooming applications is 10,000/min. Recommended speed setting is "1". Nail thickness and other factors may require use of higher speeds. Use extreme caution when operating at higher speeds and limit the amount of time that**

## Safety Rules for Pet Grooming

**the nail is exposed to the sanding surface.** Use of higher operating speeds may cause heat buildup and injury to the pet. Always monitor pet for signs of discomfort and stop grooming if observed.

**Keep pet hair away from spinning parts.** Hair can entangle in the tool, causing injury to your pet. Refer to 'Pet Safety Tips' section for more information.

## General Power Tool Safety Warnings

**⚠ WARNING** Read all safety warnings and all instructions. Failure to follow the warnings and instructions may result in electric shock, fire and/or serious injury.

### SAVE ALL WARNINGS AND INSTRUCTIONS FOR FUTURE REFERENCE

The term "power tool" in the warnings refers to your mains-operated (corded) power tool or battery-operated (cordless) power tool.

### ► Work area safety

**Keep work area clean and well lit.** Cluttered or dark areas invite accidents.

**Do not operate power tools in explosive atmospheres, such as in the presence of flammable liquids, gases or dust.** Power tools create sparks which may ignite the dust or fumes.

**Keep children and bystanders away while operating a power tool.** Distractions can cause you to lose control.

### ► Electrical safety

**Power tool plugs must match the outlet. Never modify the plug in any way. Do not use any adapter plugs with earthed (grounded) power tools.** Unmodified plugs and matching outlets will reduce risk of electric shock.

**Avoid body contact with earthed or grounded surfaces such as pipes, radiators, ranges and refrigerators.** There is an increased risk of electric shock if your body is earthed or grounded.

**Do not expose power tools to rain or wet conditions.** Water entering a power tool will increase the risk of electric shock.

**Do not abuse the cord. Never use the cord for carrying, pulling or unplugging the power tool. Keep cord away from heat, oil, sharp edges or moving parts.** Damaged or entangled cords increase the risk of electric shock.

**When operating a power tool outdoors, use an extension cord suitable for outdoor use.** Use of a cord suitable for outdoor use reduces the risk of electric shock.

**If operating a power tool in a damp location is unavoidable, use a Ground Fault**

**Circuit Interrupter (GFCI) protected supply.** Use of an GFCI reduces the risk of electric shock.

### ► Personal safety

**Stay alert, watch what you are doing and use common sense when operating a power tool. Do not use a power tool while you are tired or under the influence of drugs, alcohol or medication.** A moment of inattention while operating power tools may result in serious personal injury.

**Use personal protective equipment. Always wear eye protection.** Protective equipment such as dust mask, non-skid safety shoes, hard hat, or hearing protection used for appropriate conditions will reduce personal injuries.

**Prevent unintentional starting. Ensure the switch is in the off-position before connecting to power source and / or battery pack, picking up or carrying the tool.** Carrying power tools with your finger on the switch or energizing power tools that have the switch on invites accidents.

**Remove any adjusting key or wrench before turning the power tool on.** A wrench or a key left attached to a rotating part of the power tool may result in personal injury.

**Do not overreach. Keep proper footing and balance at all times.** This enables better control of the power tool in unexpected situations.

**Dress properly. Do not wear loose clothing or jewelry. Keep your hair, clothing and gloves away from moving parts.** Loose clothes, jewelry or long hair can be caught in moving parts.

**If devices are provided for the connection of dust extraction and collection facilities,**

## General Power Tool Safety Warnings

ensure these are connected and properly used. Use of dust collection can reduce dust-related hazards.

### ► Power tool use and care

**Do not force the power tool. Use the correct power tool for your application.** The correct power tool will do the job better and safer at the rate for which it was designed.

**Do not use the power tool if the switch does not turn it on and off.** Any power tool that cannot be controlled with the switch is dangerous and must be repaired.

**Disconnect the plug from the power source and/or the battery pack from the power tool before making any adjustments, changing accessories, or storing power tools.** Such preventive safety measures reduce the risk of starting the power tool accidentally.

**Store idle power tools out of the reach of children and do not allow persons unfamiliar with the power tool or these instructions to operate the power tool.** Power tools are dangerous in the hands of untrained users.

**Maintain power tools. Check for misalignment or binding of moving parts, breakage of parts and any other condition that may affect the power tool's operation. If damaged, have the power tool repaired before use.** Many accidents are caused by poorly maintained power tools.

**Keep cutting tools sharp and clean.** Properly maintained cutting tools with sharp cutting edges are less likely to bind and are easier to control.

**Use the power tool, accessories and tool bits etc. in accordance with these instructions, taking into account the working conditions and the work to be performed.** Use of the power tool for operations different from those intended could result in a hazardous situation.

### ► Battery tool use and care

**Recharge only with the charger specified by the manufacturer.** A charger that is suitable for one type of battery pack may create a risk of fire when used with another battery pack.

**Use power tools only with specifically designated battery packs.** Use of any other battery packs may create a risk of injury and fire.

**When battery pack is not in use, keep it away from other metal objects like paper clips, coins, keys, nails, screws, or other small metal objects that can make a connection from one terminal to another.** Shorting the battery terminals together may cause burns or a fire.

**Under abusive conditions, liquid may be ejected from the battery, avoid contact. If contact accidentally occurs, flush with water. If liquid contacts eyes, additionally seek medical help.** Liquid ejected from the battery may cause irritation or burns.

### ► Service

**Have your power tool serviced by a qualified repair person using only identical replacement parts.** This will ensure that the safety of the power tool is maintained.

## Safety Rules for Rotary Tools

### ► Safety warnings common for grinding, sanding, wire brushing, polishing, carving or abrasive cutting-off operations:

**This power tool is intended to function as a grinder, sander, wire brush, polisher, carving or cut-off tool. Read all safety warnings, instructions, illustrations and specifications provided with this power tool.** Failure to follow all instructions listed below may result in electric shock, fire

and/or serious injury.

**Do not use accessories which are not specifically designed and recommended by the tool manufacturer.** Just because the accessory can be attached to your power tool, it does not assure safe operation.

**The RATED SPEED of the accessories must be at least equal to the operating speed setting marked on the power tool.** Accessories running faster than their RATED SPEED can break and fly apart.

**The outside diameter and the thickness of your accessory must be within the**

## Safety Rules for Rotary Tools

**capacity rating of your power tool.** Incorrectly sized accessories cannot be adequately controlled.

**The arbor size of wheels, sanding drums or any other accessory must properly fit the spindle or collet of the power tool.** Accessories that do not match the mounting hardware of the power tool will run out of balance, vibrate excessively and may cause loss of control.

**Mandrel mounted wheels, sanding drums, cutters or other accessories must be fully inserted into the collet or chuck.** If the mandrel is insufficiently held and/or the overhang of the wheel is too long, the mounted wheel may become loose and be ejected at high velocity.

**Do not use a damaged accessory. Before each use inspect the accessory such as abrasive wheels for chips and cracks, sanding drum for cracks, tear or excess wear, wire brush for loose or cracked wires. If power tool or accessory is dropped, inspect for damage or install an undamaged accessory. After inspecting and installing an accessory, position yourself and bystanders away from the plane of the rotating accessory and run the power tool at maximum no-load speed for one minute.** Damaged accessories will normally break apart during this test time.

**Wear personal protective equipment.** Depending on application, use face shield, safety goggles or safety glasses. As appropriate, wear dust mask, hearing protectors, gloves and workshop apron capable of stopping small abrasive or workpiece fragments. The eye protection must be capable of stopping flying debris generated by various operations. The dust mask or respirator must be capable of filtrating particles generated by your operation. Prolonged exposure to high intensity noise may cause hearing loss.

**Keep bystanders a safe distance away from work area. Anyone entering the work area must wear personal protective equipment.** Fragments of workpiece or of a broken accessory may fly away and cause injury beyond immediate area of operation.

**Hold power tool by insulated gripping surfaces only, when performing an operation where the cutting accessory may contact hidden wiring.** Cutting accessory contacting a "live" wire may make exposed metal parts of the power tool "live" and could give the operator an electric shock.

**Always hold the tool firmly in your hand(s)**

**during the start-up.** The reaction torque of the motor, as it accelerates to full speed, can cause the tool to twist.

**Use clamps to support workpiece whenever practical. Never hold a small workpiece in one hand and the tool in the other hand while in use.** Clamping a small workpiece allows you to use your hand(s) to control the tool. Round material such as dowel rods, pipes or tubing have a tendency to roll while being cut, and may cause the bit to bind or jump toward you.

**Position the cord clear of the spinning accessory.** If you lose control, the cord may be cut or snagged and your hand or arm may be pulled into the spinning accessory.

**Never lay the power tool down until the accessory has come to a complete stop.** The spinning accessory may grab the surface and pull the power tool out of your control.

**After changing the bits or making any adjustments, make sure the collet nut, chuck or any other adjustment devices are securely tightened.** Loose adjustment devices can unexpectedly shift, causing loss of control, loose rotating components will be violently thrown.

**Do not run the power tool while carrying it at your side.** Accidental contact with the spinning accessory could snag your clothing, pulling the accessory into your body.

**Regularly clean the power tool's air vents.** The motor's fan will draw the dust inside the housing and excessive accumulation of powdered metal may cause electrical hazards.

**Do not operate the power tool near flammable materials.** Sparks could ignite these materials.

**Do not use accessories that require liquid coolants.** Using water or other liquid coolants may result in electrocution or shock.

**Use only in well-ventilated area.** Working in a safe environment reduces risk of injury.

**Allow for sufficient space, at least 6", between your hand and the spinning bit. Do not reach in the area of the spinning bit.** The proximity of the spinning bit to your hand may not always be obvious.

**Do not touch the bit or collet after use.** After use the bit and collet are too hot to be touched by bare hands.

**Do not alter or misuse tool.** Any alteration or modification is a misuse and may result in serious personal injury.

## Safety Rules for Rotary Tools

**This product is not intended for use as a dental drill, in human or veterinary medical applications.** Serious injury may result.

### ► Kickback and Related Warnings

Kickback is a sudden reaction to a pinched or snagged rotating wheel, backing pad, brush or any other accessory. Pinching or snagging causes rapid stalling of the rotating accessory which in turn causes the uncontrolled power tool to be forced in the direction opposite of the accessory's rotation.

For example, if an abrasive wheel is snagged or pinched by the workpiece, the edge of the wheel that is entering into the pinch point can dig into the surface of the material causing the wheel to climb out or kickout. The wheel may either jump toward or away from the operator, depending on direction of the wheel's movement at the point of pinching. Abrasive wheels may also break under these conditions.

Kickback is the result of power tool misuse and/or incorrect operating procedures or conditions and can be avoided by taking proper precautions as given below.

**Maintain a firm grip on the power tool and position your body and arm to allow you to resist kickback forces.** The operator can control kickback forces, if proper precautions are taken.

**Use special care when working corners, sharp edges etc. Avoid bouncing and snagging the accessory.** Corners, sharp edges or bouncing have a tendency to snag the rotating accessory and cause loss of control or kickback.

**Do not attach a toothed saw blade.** Such blades create frequent kickback and loss of control.

**Always feed the bit into the material in the same direction as the cutting edge is exiting from the material (which is the same direction as the chips are thrown).** Feeding the tool in the wrong direction causes the cutting edge of the bit to climb out of the work and pull the tool in the direction of this feed.

**When using rotary files, cut-off wheels, high-speed cutters or tungsten carbide cutters, always have the work securely clamped.** These wheels will grab if they become slightly canted in the groove, and can kickback. When a cut-off wheel grabs,

the wheel itself usually breaks. When a rotary file, high-speed cutter or tungsten carbide cutter grabs, it may jump from the groove and you could lose control of the tool.

### ► Safety warnings specific for grinding and abrasive cutting-off operations:

**Use only wheel types that are recommended for your power tool and only for recommended applications. For example: do not grind with the side of a cut-off wheel.** Abrasive cut-off wheels are intended for peripheral grinding, side forces applied to these wheels may cause them to shatter.

**For threaded abrasive cones and plugs use only undamaged wheel mandrels with an unrelieved shoulder flange that are of correct size and length.** Proper mandrels will reduce the possibility of breakage.

**Do not jam a cut-off wheel or apply excessive pressure. Do not attempt to make an excessive depth of cut.** Overstressing the wheel increases the loading and susceptibility to twisting or snagging of the wheel in the cut and the possibility of kickback or wheel breakage.

**Do not position your hand in line with and behind the rotating wheel.** When the wheel, at the point of operation, is moving away from your hand, the possible kickback may propel the spinning wheel and the power tool directly at you.

**When wheel is pinched, snagged or when interrupting a cut for any reason, switch off the power tool and hold the power tool motionless until the wheel comes to a complete stop. Never attempt to remove the cut-off wheel from the cut while the wheel is in motion otherwise kickback may occur.** Investigate and take corrective action to eliminate the cause of wheel pinching or snagging.

**Do not restart the cutting operation in the workpiece. Let the wheel reach full speed and carefully re-enter the cut.** The wheel may bind, walk up or kickback if the power tool is restarted in the workpiece.

**Support panels or any oversized workpiece to minimize the risk of wheel pinching and kickback.** Large workpieces tend to sag under their own weight. Supports must be placed under the workpiece near the line of cut and near the

## Safety Rules for Rotary Tools

edge of the workpiece on both sides of the wheel.

**Use extra caution when making a pocket cut into existing walls or other blind areas.** The protruding wheel may cut gas or water pipes, electrical wiring or objects that can cause kickback.

### ► Safety warnings specific for wire brushing operations:

**Be aware that wire bristles are thrown by the brush even during ordinary operation. Do not overstress the wires by applying excessive load to the brush.** The wire

bristles can easily penetrate light clothing and/or skin.

**Allow brushes to run at operating speed for at least one minute before using them. During this time no one is to stand in front or in line with the brush.** Loose bristles or wires will be discharged during the run-in time.

**Direct the discharge of the spinning wire brush away from you.** Small particles and tiny wire fragments may be discharged at high velocity during the use of these brushes and may become imbedded in your skin.

## Additional Safety Warnings

GFCI and personal protection devices like electrician's rubber gloves and footwear will further enhance your personal safety.

**Do not use AC only rated tools with a DC power supply.** While the tool may appear to work, the electrical components of the AC rated tool are likely to fail and create a hazard to the operator.

**Keep handles dry, clean and free from oil and grease.** Slippery hands cannot safely control the power tool.

**Develop a periodic maintenance schedule for your tool. When cleaning a tool be careful not to disassemble any portion of the tool since internal wires may be misplaced or pinched or safety guard return springs may be improperly mounted.** Certain cleaning agents such as gasoline, carbon tetrachloride, ammonia, etc. may damage plastic parts.

**⚠ WARNING** Some dust created by power sanding, sawing, grinding, drilling, and other construction activities contains chemicals known to cause cancer, birth defects or other reproductive harm. Some examples of these chemicals are:

- Lead from lead-based paints,
- Crystalline silica from bricks and cement and other masonry products, and
- Arsenic and chromium from chemically-treated lumber.

Your risk from these exposures varies, depending on how often you do this type of work. To reduce your exposure to these chemicals: work in a well ventilated area, and work with approved safety equipment, such as those dust masks that are specially designed to filter out microscopic particles.



## Safety Rules for Charging

**⚠ WARNING** This manual contains instructions for power adapter model 510. If power adapter is not included, charge tool using 5V/1A minimum USB power adapter.

**Before using power adapter, read all instructions and cautionary markings on (1) power adapter, and (2) product using battery.**

**Charge only Dremel PawControl 7760-PGK. Other types of cordless tools may burst causing personal injury and damage.**

**Charge tool in temperatures above +32 degrees F (0 degrees C) and below +122 degrees F (50 degrees C). Store tool in locations where temperatures will not exceed 140 degrees F (60 degrees C).** This is important to prevent serious damage to the battery cells.

**Do not recharge tool in damp or wet environment. Do not expose power adapter to rain or snow.** Water entering power adapter may result in electric shock or fire.

**Battery leakage may occur under extreme usage or temperature conditions. Avoid contact with skin and eyes.** The battery liquid is caustic and could cause chemical burns to tissues. If liquid comes in contact with skin, wash quickly with soap and water. If the liquid contacts your eyes, flush them with water for a minimum of 10 minutes and seek medical attention.

**Place tool on flat nonflammable surfaces and away from flammable materials when recharging.** Carpeting and other heat insulating surfaces block proper air circulation, which may cause overheating of the power adapter and tool. If smoke or melting of the power adapter or tool is observed, unplug the charger immediately and do not use the tool or charger. Contact customer service immediately.

**Make sure that USB cable is located so that it will not be stepped on, tripped over, or otherwise subjected to damage or stress.** Damaged plug and cable may result in electric shock or fire.

**Disconnect the tool from the power adapter by pulling the plug rather than the cable. Do not operate power adapter with damaged USB cable or plug; have them replaced immediately.** Damaged plug or cable may result in electric shock or fire.

**Do not disassemble power adapter or operate the power adapter if it has received a sharp blow, been dropped or**

**otherwise damaged in anyway.** Incorrect reassembly or damage may result in electric shock or fire.

**Before each use, check the power supply, USB cable and plug. If damage is detected, do not use the power adapter. Never open the power adapter yourself, take it to a Dremel Factory Service Center, or qualified serviceman only using original spare parts.** Incorrect reassembly may result in electric shock or fire.

**Do not use attachments not recommended or sold by Dremel.** Using attachments not recommended may result in electric shock or fire.

**Unplug tool from power adapter when battery in tool is fully charged.** Tool left plugged in the power adapter over a long period of time could lead to tool damage and fire.

**Unplug power adapter from outlet before storage, attempting any maintenance or cleaning.** Such preventive safety measures reduce the risk of electric shock or fire.

**Keep the power adapter clean by wiping it with a damp cloth.** Contamination may result in electric shock or fire.

**Replace battery pack if a substantial drop in operating time per charge is observed.** Battery pack may be nearing the end of its life.

### ► Battery Care

**⚠ WARNING** When batteries are not in tool, keep them away from metal objects. For example, to protect terminals from shorting **DO NOT** place batteries in a tool box or pocket with nails, screws, keys, etc. Fire or injury may result.

**DO NOT PUT BATTERIES INTO FIRE OR EXPOSE TO HIGH HEAT.** They may explode.

**Battery leakage may occur under extreme usage or temperature conditions. Avoid contact with skin and eyes.** The battery liquid is caustic and could cause chemical burn to tissues. If liquid comes in contact with skin, wash quickly with soap and water. If the liquid contacts your eyes, flush them with water for a minimum of 10 minutes and seek medical attention.

### ► Battery Disposal

**⚠ WARNING** Do not attempt to disassemble the tool or remove any component projecting from

## Safety Rules for Charging

**the tool.** Fire or injury may result. Prior to disposal, protect exposed terminals with heavy insulating tape to prevent shorting.

### ▼ LITHIUM-ION BATTERIES

If equipped with a lithium-ion battery, the battery must be collected, recycled or disposed of in an environmentally sound manner.



“The EPA certified RBRC Battery Recycling Seal on the lithium-ion (Li-ion) battery indicates Robert Bosch Tool Corporation is voluntarily participating in an industry program to collect and recycle these batteries at the end of their useful life, when taken out of service in the United States or Canada. The RBRC program provides a convenient alternative to placing used Li-ion batteries into the trash or the

municipal waste stream, which may be illegal in your area.





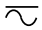


Please call 1-800-8-BATTERY for information on Li-ion battery recycling and disposal bans/restrictions in your area, or return your batteries to a Bosch/Dremel Service Center for recycling. Robert Bosch Tool Corporation’s involvement in this program is part of our commitment to preserving our environment and conserving our natural resources.”

**⚠ WARNING** Do not open the tool or attempt to remove battery from your tool. Dispose of tool through your local waste removal authority or a Bosch/Dremel Service Center.

**SAVE THESE INSTRUCTIONS**












## Symbols

**Important:** Some of the following symbols may be used on your tool. Please study them and learn their meaning. Proper interpretation of these symbols will allow you to operate the tool better and safer.

Symbol	Designation / Explanation
V	Volts (voltage)
A	Amperes (current)
Hz	Hertz (frequency, cycles per second)
W	Watt (power)
kg	Kilograms (weight)
min	Minutes (time)
s	Seconds (time)
∅	Diameter (size of drill bits, grinding wheels, etc.)
$n_0$	No load speed (rotational speed at no load)
n	Rated speed (maximum attainable speed)
.../min	Revolutions or reciprocation per minute (revolutions, strokes, surface speed, orbits etc. per minute)
0	Off position (zero speed, zero torque...)
1, 2, 3, ... I, II, III,	Selector settings (speed, torque or position settings. Higher number means greater speed)
	Infinitely variable selector with off (speed is increasing from 0 setting)
	Arrow (action in the direction of arrow)
	Alternating current (type or a characteristic of current)
	Direct current (type or a characteristic of current)
	Alternating or direct current (type or a characteristic of current)
	Class II construction (designates double insulated construction tools)
	Earthing terminal (grounding terminal)

## Symbols

**Important:** Some of the following symbols may be used on your tool. Please study them and learn their meaning. Proper interpretation of these symbols will allow you to operate the tool better and safer.

Symbol	Designation / Explanation
	Alerts user to read manual
	Alerts user to wear eye protection
	This symbol designates that this tool is listed by Underwriters Laboratories.
	This symbol designates that this component is recognized by Underwriters Laboratories.
	This symbol designates that this tool is listed by Underwriters Laboratories, to United States and Canadian Standards.
	This symbol designates that this tool is listed by the Canadian Standards Association.
	This symbol designates that this tool is listed by the Canadian Standards Association, to United States and Canadian Standards.
	This symbol designates that this tool is listed by the Intertek Testing Services, to United States and Canadian Standards.
	This symbol designates that this tool complies to NOM Mexican Standards.
	This symbol designates that this product is verified by Underwriters Laboratories to comply with Natural Resources Canada energy efficiency standards.
	Designates Li-ion battery recycling program

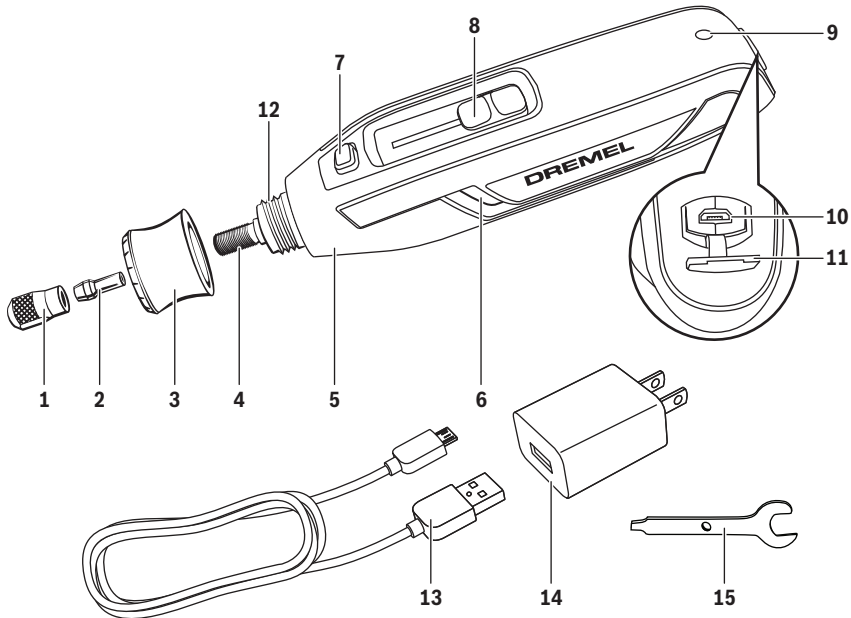
## Functional Description and Specifications



**Battery tools are always in an operative condition.** Be aware of the possible hazards.

**SAVE THESE INSTRUCTIONS**

### ► Cordless Rotary Tool PawControl 7760-PGK



- 1 Collet nut
- 2 Collet
- 3 EZ TWIST™ integrated wrench/nose cap
- 4 Tool shaft
- 5 Insulated gripping surface
- 6 Ventilation Openings
- 7 Shaft Lock Button
- 8 On/Off switch and speed dial
- 9 Battery charge indicator
- 10 Micro USB port
- 11 Micro USB port cover
- 12 Threaded nose
- 13 USB cable
- 14 Power adapter\*
- 15 Collet wrench

\* Not included in all kits

Model number . . . . .7760-PGK  
 Voltage rating . . . . .3.6V / 4V<sup>MAX</sup> Max  
 Rated Speed (n) . . . . .8,000–25,000/min  
 Collet Capacities . . . . .1/32", 1/16", 3/32", 1/8"  
 Allowed ambient temperature  
 – during charging . . . . .32...122 °F (0...+50 °C)  
 – during operation/  
 storage . . . . .–4...140 °F (–20...+60 °C)

#### Power Adapter

Model number . . . . .510  
 Voltage rating . . . . .120V ~ 60 Hz  
 Amperage rating . . . . .1A

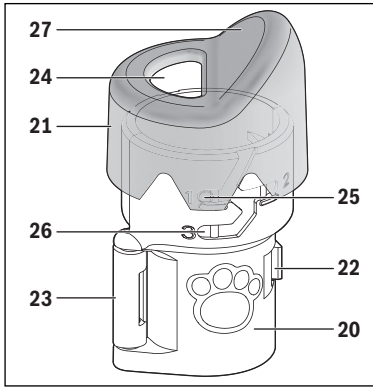
#### Battery

Chemistry . . . . .Li-ion  
 Capacity . . . . .2.0Ah  
 Charge time . . . . .2 Hr 45 min.

## Functional Description and Specifications

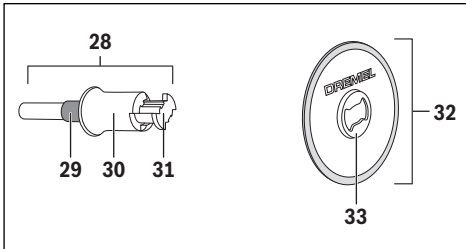
### ► AT01-PGA Pet grooming attachment

- 20 Attachment housing
- 21 Clear cap
- 22 Clasp
- 23 Hinge
- 24 Sanding disc opening
- 25 Tab (part of clear cap)
- 26 Depth guide
- 27 Ramp



### ► EZ402 EZ Lock™ Mandrel and SD60PGA Sanding disc

- 28 EZ Lock™ mandrel EZ402
- 29 Blue spacer
- 30 Spring-loaded sleeve
- 31 Bow tie interface
- 32 Sanding disc SD60PGA
- 33 Bow tie interface



## Charging the Tool

Your Dremel PawControl 7760-PGK does not come completely charged from the factory. Be sure to charge tool prior to initial use.

- Insert USB cable **13** into USB port of power adapter **14** (Fig. 1). If power adapter is not included, charge tool using 5V/1A minimum USB power adapter.
- Plug power adapter **14** into standard power outlet.
- Open Micro USB port cover **11** and plug micro USB plug into Micro USB port **10**.

The battery charge indicator **9** indicates the charging progress. During the charging process, the indicator will glow green. The battery is fully charged when the indicator light turns off. Charge time is approximately 2 hours and 45 minutes.

It is normal for the handle of the tool to get warm during charging.

**Note:** charging function stops while tool is running and resumes again after tool is turned off.

When the battery is fully charged, disconnect the Micro USB end of the cable **13** from the tool and close the cover **11**.

Unplug the power adapter from the power outlet (unless you are charging another tool).

### ► Battery Charge Indicator

This tool is equipped with a charge indicator **9** that tells you how much charge your battery has. When the light is red, the battery is almost empty.

**Note:** Red light may also indicate that the tool is stalling. Refer to “Electronic Monitoring” on page 16.

When the battery is depleted, the tool will turn off automatically. This will be a sudden stop as opposed to a gradual slow down of the tool. Simply recharge the tool.

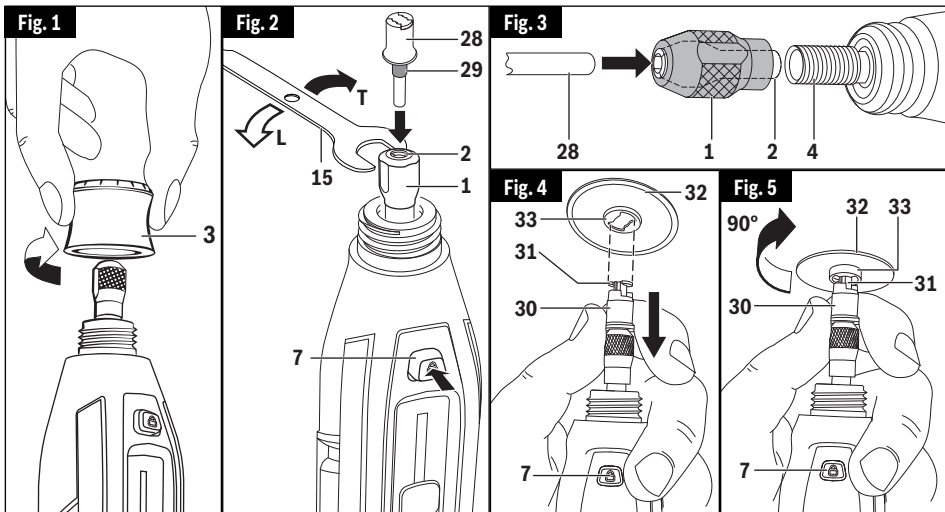
### ► Important Charging Notes

- Lithium-ion battery will hold its charge while in storage for up to 2 years so it's always ready when you need it.
- The power adapter was designed to fast charge the battery only when the battery temperature is between 32°F (0°C) and 122°F (50°C).
- A substantial drop in operating time per charge may mean that the battery pack is nearing the end of its life and should be replaced. For service of your tool, please contact Dremel at 1-800-437-3635.
- If battery does not charge properly:
  - a.** Check for voltage at outlet by plugging in some other electrical device.
  - b.** Check to see if outlet is connected to a light switch which turns power “off” when lights are turned off.
  - c.** Check USB terminals for dirt. Clean with cotton swab and alcohol if necessary.
  - d.** Check to see if USB cable is properly connected to the tool and the power adapter.
  - e.** If you still do not get proper charging, send tool and power adapter to your Dremel Service Center.

**Note:** Use of power adapters or battery packs not sold by Dremel may void the warranty.

## Assembly Instructions for pet nail grooming

**WARNING** Always be sure the tool is turned “OFF” before changing accessories, changing collets or servicing your cordless rotary tool.



### ► To load mandrel:

- A. Unscrew and remove the nose cap **3** from the tool by twisting it counterclockwise until it comes off the tool (Fig. 1).
- B. To loosen the collet nut, first press shaft lock button **7** and rotate the collet nut **1** by hand until the lock engages the shaft preventing further rotation (Fig. 2).

**CAUTION** Do not engage shaft lock while the tool is running.

- C. With the shaft lock **7** engaged, loosen the collet nut **1** (turn counterclockwise, **L**). Use the wrench **15** if necessary. The collet nut must be loosely threaded on when inserting an accessory (Fig. 2).
- D. Insert EZ Lock™ mandrel **28** into collet **2** (Fig. 2).

**CAUTION** Make sure the blue spacer **29** on the mandrel bottoms out on the collet nut, setting the mandrel to the correct depth. Failure to set the mandrel to the correct depth can result in damage to the attachment.

- E. With the shaft lock **7** engaged, tighten the collet nut **1** securely (turn clockwise, **T**) with wrench **15** (Fig. 2).

**Note:** If the EZ Lock™ mandrel does not fit into the collet, it is possible that the collet is stuck within the collet nut. If this happens, remove the collet nut from the tool by continuing to twist it counterclockwise. If the collet does not separate from the collet nut when removed from the tool, push the shank of the EZ Lock™ mandrel **28** into the hole in the collet nut **1**. This should cause the collet **2** to pop out of the collet nut **1**. Re-assemble by placing the collet **2** into the output shaft **4** and twisting the collet nut **1** clockwise over the collet to tighten it back onto the output shaft **4** (Fig. 3).

### ► To load sanding disc:

- A. Pull spring-loaded sleeve **30** DOWN towards tool with one hand and hold. You can brace the tool on the body or workbench for extra leverage (Fig. 4).
- B. With the other hand, align bow tie interface **31** on mandrel with metal bow tie interface **33** on bottom of sanding disc **32** (Fig. 4).
- C. Place sanding disc on the mandrel to a point just below the bow tie on the mandrel **31** and twist 90 degrees until the bow tie interface **33** on the sanding disc **32** aligns with the sleeve



## Assembly Instructions for pet nail grooming

30. Release sleeve 30. Sanding disc 32 should lock in place (Fig. 5).

**⚠ WARNING** **Incorrect seating of sanding disc on mandrel may lead to personal injury or property damage.** To check for proper seating, hold shaft lock button 7 and twist the sanding disc 32. The sanding disc 32 will not be able to rotate on mandrel.

### ► To unload sanding disc:

- Pull spring-loaded sleeve 30 DOWN toward tool with one hand (Fig. 5).
- Hold sleeve 30 down while twisting sanding disc 32 90 degrees (Fig. 5).
- Remove sanding disc 32 (Fig. 5).

### ► To attach nail guard attachment:

**Note:** Make sure that the mandrel and the sanding disc are mounted properly before mounting the attachment.

- Detach the clear cap 21 from the attachment by running the small knobs 25 on the inside of the clear cap up along the height adjustment guide 26 until they reach the guided opening (Fig. 6).
- Unlock the clasp 22.
- Open the attachment 20 (Fig. 6).
- Position the attachment 20 around the threaded nose of the tool 12 and close the attachment together until the clasp 22 is fully engaged (Fig. 7).
- Turn the whole attachment 20 clockwise to screw it into place on the threaded nose 12. Make sure that it is securely tightened so that it will not shift positions during use (Fig. 7).
- Re-attach the clear cap 21 (simply perform step A in reverse order).
- Turn the clear cap so that the small knobs are all the way to the end of slot 26 (next to number "3") on the attachment. You will hear the cap click into place when fully installed. Do not force the clear cap out of the guides (Fig. 6).

Fig. 6

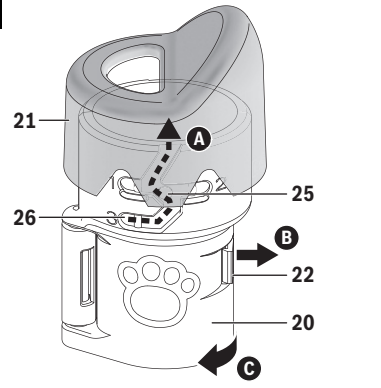
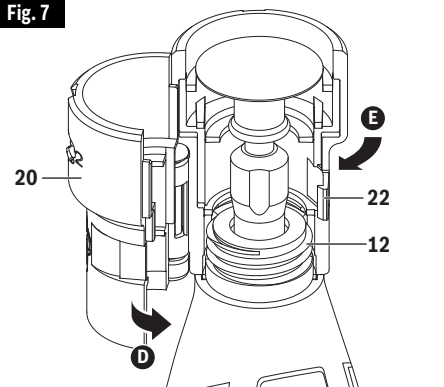


Fig. 7



**Note:** Refer to the AT01-PGA manual on the Dremel website for additional information regarding attachment compatibility.

## Nail Grooming Operating Instructions

**⚠ WARNING** Observe all warnings and safety instructions when using the rotary tool. Failure to follow recommended procedures could result in personal injury or property damage.

### ► Why Use a Dremel Rotary Tool to Groom Pet Nails?

Scissors and guillotine-type clippers apply pressure and pinch the nail, which can be uncomfortable for pet toes and feet. Clipping toenails also increases the likelihood of cutting the internal blood supply to the nail, called the quick; grinding is more gradual and controlled. If the quick is nicked using a rotary tool, the cut is usually smaller and will heal quicker than a cut made with a nail clipper.

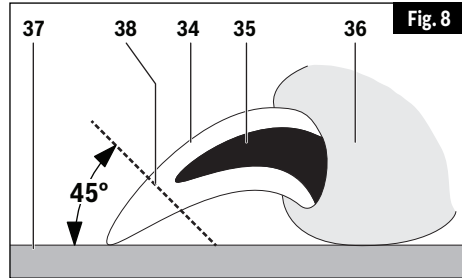
### ► Before you start

Grooming a pet's nails for the first time can be a worrisome experience for both the pet and pet owner. Rest assured that nail grooming does not have to be a stressful experience. By starting early and considering grooming to be part of your pet's training, your pet will grow used to the experience.

First, train your pet to feel comfortable with their paws being touched and handled before exposing them to the rotary tool. One way to do this is to massage their legs, paws, and individual toes for a few minutes at least once a day. Afterwards, create a positive association with this experience by rewarding your pet with its favorite snack.

Next, help your pet grow gradually accustomed to the rotary tool. Let your pet sniff the tool while it is turned off. Then, while keeping the tool in your hand, let your pet listen to the sound the tool makes when it is turned on. Ideally, have your pet sit or lay on its side while the tool is in your hand and running. Gradually work up to having your pet's toenails touch the rotating sanding disc for less than a second. Do not grind the nails yet; simply let your pet become familiar with the tool. Throughout the acclimation process, continue to praise your pet and reward good behavior with a snack. This

process may take a couple of days or weeks. Before long, both you and your pet will be able to relax and even enjoy the grooming time that you share together.



34 Nail / Claw                      37 Floor  
35 Quick                              38 Trim line  
36 Paw

### ► Nail Anatomy

The nails/claws containing quick vessels described in this section are relevant to several types of pets, including dogs and cats.

Before trimming your pet's nails, you will need to identify the quick. The diagram (Fig. 8) shows the basic anatomy of a pet's toenail. The outer nail is hard and has no feeling because it has no nerve endings. The core of the nail is the quick. It is made up of tiny blood vessels and nerve endings and is very sensitive. The quick is a vein that "feeds" the toenail. Should you cut the quick while trimming a nail, the nail will start to bleed.

Light colored nails are often transparent enough to allow you to see the quick's pink core. Dark colored nails may not allow you to see where the quick is located. Pets may have both light and dark colored nails that allow you to estimate the length of the quick.

The diagram also shows an estimate of the proper angle at which to trim a pet's nails. A rule of thumb for the proper angle is 45 degrees upwards from the bottom of the paw. The proper angle may vary according to the pet owner's wishes or the pet's unique anatomy. Trim nails so that they almost touch the ground when your pet is walking.

## Nail Grooming Operating Instructions

### ► The Nail Grooming Process

**⚠ CAUTION** Use only “golf grip” or “hand grip” method of holding the tool. Never hold the tool by the attachment. Holding the tool by the attachment could cause it to unexpectedly shift, causing loss of control (Fig. 9).

Place the pet’s paw **36** on the ramp **27** so that the nail **34** is close to - but not touching - the sanding disc **32** (Fig. 10).

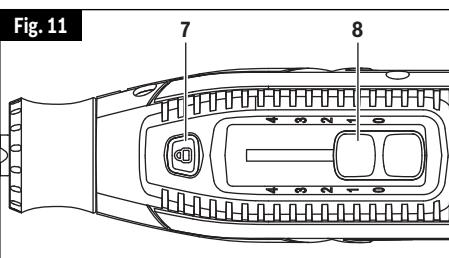
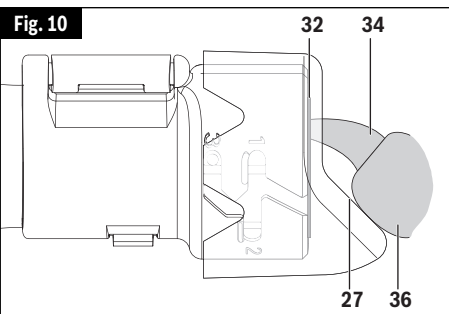
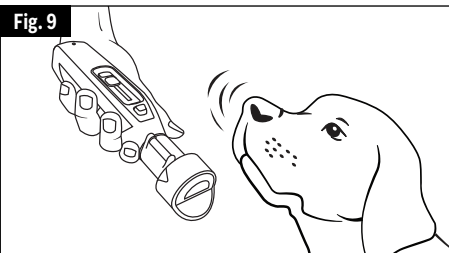
The tool is controlled by the blue “On/Off” / Speed Switch **8** located on the topside of the recessed part of the housing (Fig. 11).

TO TURN THE TOOL “ON” gently slide the switch **8** up with your thumb. The tool will start working at a speed of 8,000 RPM (Position “1”).

**⚠ WARNING** Recommended maximum operating speed for most pet grooming applications is 10,000/min. Recommended speed setting is “1”. Nail thickness and other factors may require use of higher speeds. Use extreme caution when operating at higher speeds and limit the amount of time that the nail is exposed to the sanding surface. Use of higher operating speeds may cause heat buildup and injury to the pet. Always monitor pet for signs of discomfort and stop grooming if observed.

Support the toe and nail in one hand while using the rotary tool in the other hand. This is more comfortable for your pet as it lessens vibration on the paw. Pushing gently on the bottom of the paw’s pad extends the nail slightly for easier grooming.

It is important to let the speed of the rotary tool do the work; never apply pressure to the toenail with the spinning sanding disc. Pressure may cause the nail to grow too hot, resulting in discomfort for your pet. The rotary tool’s spinning sanding disc should not be kept against the nail longer than three seconds at a time. Instead of focusing on completing one nail at a time, it is recommended to briefly trim each nail on one paw, and then the other, in several passes. This allows time for the nails to cool. You may repeat this process as needed. Trim nails so that they almost touch the



ground when your pet is walking.

Turn the tool off by sliding the tool switch **8** to “0” position (Fig. 11).

### ► Pet Safety Tips

Some pets may become nervous in the presence of the tool so it is best to secure your pet. The operator will need both hands to groom the nails so it may be helpful to have another person assist in restraining your pet.

If hair is accidentally caught in the rotary tool, immediately turn off the tool and untangle the hair from the tool. For pets with particularly long hair, use an old sock to cover the toe, foot, and leg of the pet and isolate the nail. Push the nail out through a small opening at the tip of the sock to groom the nail. Keep styptic powder on hand in case of bleeding. Styptic powder is available at

## Nail Grooming Operating Instructions

most pet supply stores. Follow the directions on the packaging for proper use instructions.

### ► Cleaning the Pet Grooming Attachment

Remove the pet grooming attachment from the rotary tool as needed to clean

out any nail dust or debris. Wash only the attachment with warm water and dry thoroughly with a clean cloth before reinstalling on rotary tool.

## Assembly Instructions for applications other than pet nail grooming

**⚠ WARNING** Always be sure the tool is turned “OFF” before changing accessories, changing collets or servicing your cordless rotary tool.

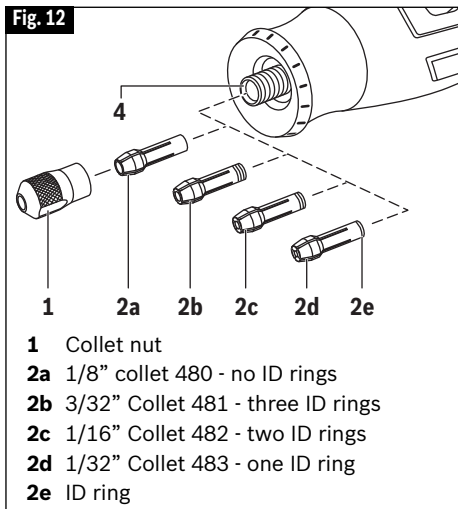
PawControl 7760-PGK can also be used with a variety of Dremel accessories that will turn this tool into a carver, a grinder, polisher, sander, cutter, power brush, drill and more.

First, reverse the assembly steps on pages 15 and 16 to remove pet grooming attachment, EZ Lock™ mandrel and reinstall the nose cap.

### ► Collets

Dremel accessories such as engraver bits, grinding stones and mandrels are mounted on the tool using collet and collet nut system.

PawControl 7760-PGK comes with the 1/8” collet No 480. There are also three other collets to accommodate smaller diameter accessories. Identification (ID) rings will help you choose the right collet for your bits (Fig. 12).



## Assembly Instructions for applications other than pet nail grooming

To loosen collet nut **1**, first press shaft lock button **7** and rotate the collet nut counterclockwise (**L**) by hand until the lock engages the shaft preventing further rotation (Fig. 13).

**CAUTION** Do not engage shaft lock while the Rotary Tool is running.

With the shaft lock **7** engaged, use the EZ TWIST™ integrated wrench / nose cap **3** or collet wrench **15** to loosen (turn counterclockwise, **L**) the collet nut **1** (Fig. 13). The collet nut must be loosely threaded on when inserting an accessory.

Change accessories by inserting the new one into the collet as far as possible to minimize runout and unbalance. With the shaft lock **7** engaged, tighten the collet nut **1** securely (turn clockwise, **T**) with wrench **15** or EZ TWIST™ integrated wrench/ nose cap **3** (Fig. 13). **Avoid excessive tightening of the collet nut when there is no bit inserted.**

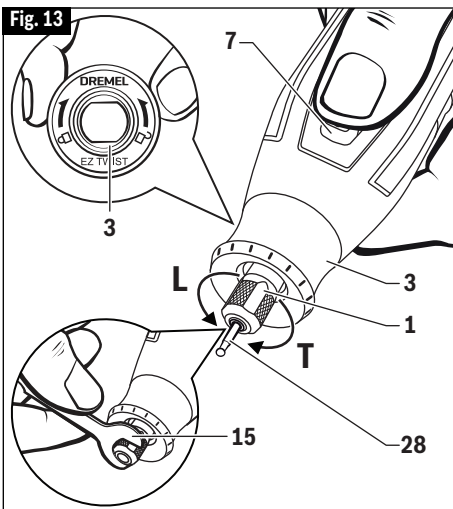
**CAUTION** Always use the collet which matches the shank size of the accessory you plan to use. Never force a larger diameter shank into a collet.

To install a different collet, completely unscrew the collet nut **1** and remove the old collet **2**. Insert the unslotted end of the collet in the hole in the end of the tool shaft **4**. Replace collet nut on the shaft (Fig. 12).

**Note:** Most rotary tool kits do not include all four collets sizes.

### ▼ FIXING STUCK COLLETS

It is possible for a collet to get stuck within the collet nut especially if a collet nut is tightened onto the tool without a bit in place. If this happens, remove the collet nut from the tool by continuing to twist it counterclockwise. If the collet does not separate from the collet nut when removed from the tool, push the shank of the EZ Lock™ mandrel **28** into the hole in the collet nut **1**. This should cause the collet **2** to pop out of the collet nut **1**. Re-assemble by placing the collet **2** into the output shaft **4** and twisting the collet nut **1** clockwise over the collet to tighten it back onto the output shaft **4** (Fig. 3).



### ► Balancing Accessories

For precision work, it is important that all accessories be in good balance (much the same as the tires on your automobile). To true up or balance an accessory, slightly loosen collet nut and give the accessory or collet a 1/4 turn. Retighten collet nut and run the Rotary Tool. You should be able to tell by the sound and feel if your accessory is running in balance. Continue adjusting in this fashion until best balance is achieved. To maintain balance on abrasive wheel points, before each use, with the wheel point secured in the collet, turn on the Rotary Tool and run the 415 Dressing Stone lightly against the revolving wheel point. This removes high spots and trues up the wheel point for good balance.

## Operating Instructions for applications other than pet nail grooming

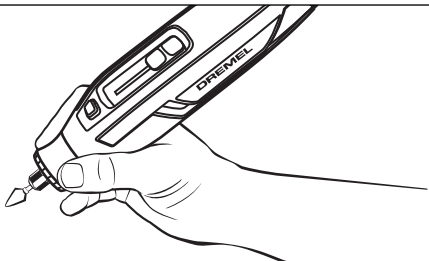
**⚠ WARNING** Observe all warnings and safety instructions when using the rotary tool. Failure to follow recommended procedures could result in personal injury or property damage.

### ► Introduction

Your Cordless Rotary Tool has a small, powerful electric motor, is comfortable in the hand, and is made to accept a large variety of accessories including abrasive wheels, drill bits, wire brushes, polishers, engraving cutters, and cutting wheels. Accessories come in a variety of shapes and permit you to do a number of different jobs. As you become familiar with the range of accessories and their uses, you will learn just how versatile your Cordless Rotary Tool is. You'll see dozens of uses you hadn't thought of before now.

The real secret of the Cordless Rotary Tool is its speed. To understand the advantages of its high speed, you have to know that the standard portable electric drill runs at speeds up to 2,800 revolutions per minute. The typical electric drill is a low-speed, high torque tool; the Cordless Rotary Tool is just the opposite – a high-speed, low torque tool. The chief difference to the user is that in the high speed tools, the speed combined with the accessory mounted in the collet does the work. You don't apply pressure to the tool, but simply hold and guide it. In the low speed tools, you not only guide the tool, but also apply pressure to it, as you do, for example, when drilling a hole.

It is this high speed, along with its



For best control in close work, grip the Rotary Tool like a pencil between your thumb and forefinger.

compact size and wide variety of special accessories, that makes your Cordless Rotary Tool different from other power tools. The speed enables it to do jobs low speed tools cannot do, such as engraving glass, etc.

Getting the most out of your Cordless Rotary Tool is a matter of learning how to let this speed work for you.

### ► Using the Cordless Rotary Tool

The first step in learning to use the Cordless Rotary Tool is to get the “feel” of it. Hold it in your hand and feel its weight and balance. Feel the taper of the housing. This taper permits the tool to be grasped much like a pen or pencil.

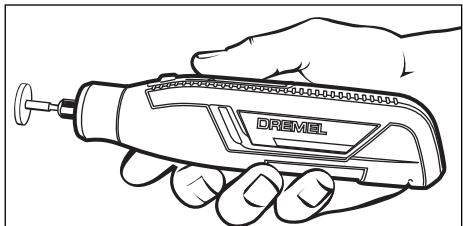


When you turn on the tool for the first time, hold it away from your face. Accessories can be damaged during handling,

and can fly apart as they come up to speed. This is not common, but it does happen.

Practice on scrap materials first to see how the Cordless Rotary Tool cuts. Keep in mind that the work is done by the speed of the tool and by the accessory in the collet. You should not lean on or push the tool into the work.

Instead, lower the spinning accessory lightly to the work and allow it to touch the point at which you want cutting (or sanding or etching, etc.) to begin. Concentrate on guiding the tool over the work using very little pressure from your



The “handgrip” method of holding the tool is used for operations such as grinding a flat surface or using cutoff wheels.

## Operating Instructions for applications other than pet nail grooming

hand. Allow the accessory to do the work.

Usually, it is best to make a series of passes with the tool rather than attempt to do all the work in one pass. To make a cut, for example, pass the tool back and forth over the work, much as you would a small paint brush. Cut a little material on each pass until you reach the desired depth. For most work, the deft, gentle touch is best. With it, you have the best control, are less likely to make errors, and will get the most efficient work out of the accessory.

### ► “On/Off” / Speed Switch

The tool is controlled by the blue “On/Off” / Speed Switch **8** located on the top side of the recessed part of the housing (Fig. 14).

TO TURN THE TOOL “ON” gently slide the switch **8** up with your thumb. The tool will start working at a speed of 8,000 RPM.

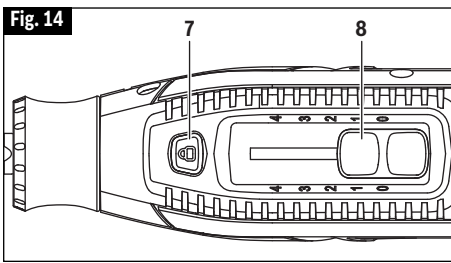
The speed may be adjusted during operation by continuing to gently slide the switch **8** up with your thumb.

### ► Settings for Approximate Revolutions:

Speed Setting	Speed Range
1	8,000 RPM
*2	14,000 RPM
3	21,000 RPM
4	25,000 RPM

\*2 is the maximum speed setting for wire brushes.

You can refer to the charts on pages 34–36 to determine the proper speed, based on the material being worked and the type of accessory being used. These charts enable you to select both the correct accessory and the optimum speed at a glance.



### ► Electronic Monitoring

Your tool is equipped with an internal electronic monitoring system that helps to maximize motor and battery performance by limiting the current to the tool when overload and stall conditions occur. If you stall the tool for too long, or bind the bit in a work piece, especially at high speeds, the tool will automatically turn itself off thanks to the fallback built into it. Once this happens, slide speed switch to “0” position, simply take the tool out of the material you were stalled in, turn it back on again, adjust the speed if necessary, and continue using it. When the battery is close to empty, the tool may shut down automatically more frequently than normal. If this happens, it is time to recharge the tool.

### ► Needs for Slower Speeds

Certain materials, however, (some plastics, for example) require a relatively slow speed because at high speed the friction of the tool generates heat and causes the plastic to melt.

## Maintenance

**⚠ WARNING** To avoid accidents, always disconnect the tool and/or power adapter from the power supply before servicing or cleaning.

### ► Service

**⚠ WARNING** **NO USER SERVICEABLE PARTS INSIDE.** Preventive maintenance performed by unauthorized personnel may result in misplacing of internal wires and components which could cause serious hazard. We recommend that all tool service be performed by a Dremel Service Center. **SERVICEMEN:** Disconnect tool and/or power adapter from power source before servicing.

### ► Batteries

**Be alert for batteries that are nearing their end of life.** If you notice decreased tool performance or significantly shorter running time between charges then it is time to replace the battery. Failure to do so can cause the tool to operate improperly or damage the power adapter.

### ► D.C. Motors

The motor in your tool has been engineered for many hours of dependable service. To maintain peak efficiency of the motor, we recommend it be examined every six months. Only a genuine Dremel replacement motor specially designed for your tool should be used.

### ► Cleaning

**⚠ CAUTION** **Certain cleaning agents and solvents damage plastic parts.** Some of these are: gasoline, carbon tetrachloride, chlorinated cleaning solvents, ammonia and household detergents that contain ammonia.

Ventilation openings and switch levers must be kept clean and free of foreign matter. Do not attempt to clean by inserting pointed objects through opening.

## Extension Cords

**⚠ WARNING** If an extension cord is necessary, a cord with adequate size conductors that is capable of carrying the current necessary for your tool must be used. This will prevent excessive voltage drop, loss of power or overheating. Grounded tools must use 3-wire extension cords that have 3-prong plugs and receptacles.

**NOTE:** The smaller the gauge number, the heavier the cord.

### RECOMMENDED SIZES OF EXTENSION CORDS

#### 120 VOLT ALTERNATING CURRENT TOOLS

Tool's Ampere Rating	Cord Size in A.W.G.				Wire Sizes in mm <sup>2</sup>			
	Cord Length in Feet				Cord Length in Meters			
	25	50	100	150	15	30	60	120
<b>3-6</b>	18	16	16	14	0.75	0.75	1.5	2.5
<b>6-8</b>	18	16	14	12	0.75	1.0	2.5	4.0
<b>8-10</b>	18	16	14	12	0.75	1.0	2.5	4.0
<b>10-12</b>	16	16	14	12	1.0	2.5	4.0	-
<b>12-16</b>	14	12	-	-	-	-	-	-



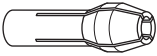
## Dremel Accessories



**WARNING** Use only Dremel®, high-performance accessories. Other accessories are not designed for this tool and may lead to personal injury or property damage.

**Store accessories in a dry and temperate environment to avoid corrosion and deterioration.**

The number and variety of accessories for the Rotary Tool are almost limitless. There is a category suited to almost any job you might have to do and a variety of sizes and shapes within each category which enables you to get the perfect accessory for every need.

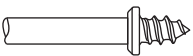


### COLLETS

If you expect to use a variety of accessories, we recommend that in the beginning you purchase a complete set of four collets. Store these so that you will have the proper size of collet for any accessory or drill bit you want to use. **Currently, the 1/8", 3/32", 1/32" and 1/16" collets accommodate all of the available Dremel accessories. 1/8" collets are included in most rotary tool kits.**

### MANDRELS

A mandrel is a shank with a threaded or screw head, which are required when you use polishing accessories, cutting wheels, sanding discs, and polishing points. The reason mandrels are used is that sanding discs, cutting wheels and similar accessories must be replaced frequently. The mandrel is a permanent shank, allowing you to replace only the worn head when necessary, thus saving the expense of replacing the shaft each time.



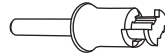
### Screw Mandrel No 401

This is a screw mandrel used with the felt polishing tip and felt polishing wheels. 1/8" shank.



### Small Screw Mandrel No 402

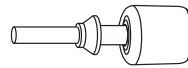
This is a mandrel with a small screw at its tip, and is used with emery and fiberglass cutting wheels, sanding discs and polishing wheels. 1/8" shank.



**EZ Lock™**

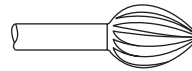
### EZ Lock Mandrel No 402

The Dremel EZ Lock makes accessory changes easy as PULL - TWIST - RELEASE. The one-piece mandrel design simplifies the process of changing cutting wheels, buffs and detail abrasive brushes (EZ Lock compatible accessories).



### EZ Drum™ Mandrel No EZ407SA

The Dremel EZ Drum makes accessory changes easy as PULL - INSERT - PRESS DOWN. The one-piece mandrel design simplifies the process of changing sanding bands.



### High Speed Cutters

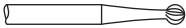
Available in many shapes, high speed cutters are used in carving, cutting and slotting in wood, plastics and soft metals such as aluminum, copper and brass. These are the accessories to use for freehand routing or carving in wood or plastic, and for precision cutting. Made of high quality steel. 1/8" shank.



### Tungsten Carbide Cutters

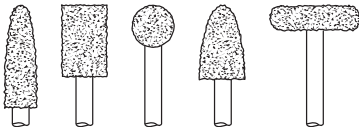
These are tough, long-lived cutters for use on hardened steel, fired ceramics and other very hard materials. They can be used for engraving on tools and garden equipment. 1/8" shanks.

## Dremel Accessories



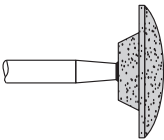
### Engraving Cutters

This group has a wide variety of sizes and shapes, and are made for intricate work on ceramics (greenware), wood carvings, jewelry and scrimshaw. They often are used in making complicated printed circuit boards. They should not be used on steel and other very hard materials but are excellent on wood, plastic and soft metals. 1/8" shank.



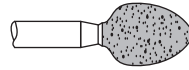
### Structured Tooth Tungsten Carbide Cutters

Fast cutting, needle-sharp teeth for greater material removal with minimum loading. Use on fiberglass, wood, plastic, epoxy and rubber. 1/8" shank.



### Aluminum Oxide Grinding Stones (red/brown)

Round, pointed, flat – you name the shape and there is one available in this category. These are made of aluminum oxide and cover virtually every possible kind of grinding application. Use them for sharpening lawn mower blades, screwdriver tips, knives, scissors, chisels and other cutting tools. Use to remove flash from metal castings, deburring any metal after cutting, smoothing welded joints, grinding off rivets and removing rust. These grinding stones can be resharped with a dressing stone. In machine shops, high speed drills and cutters normally are ground with aluminum oxide wheels. 1/8" shank.



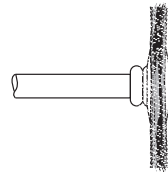
### Silicon Carbide Grinding Stones (blue/green)

Tougher than aluminum oxide points, these are made especially for use on hard materials such as glass and ceramics. Typical uses might be the removal of stilt marks and excess glaze on ceramics and engraving on glass. 1/8" shank.



### Diamond Wheel Points

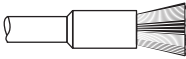
Excellent for fine detail work on wood, jade, ceramic, glass and other hard material. Bits are covered with diamond particles. 1/8" shanks. (Not recommended for drilling)



### Wire Brushes

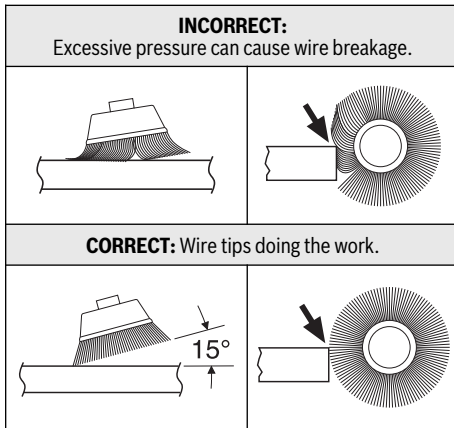
Three different shapes of wire brushes are available. **For best results wire brushes should be used at speeds not greater than 15,000 RPM. Refer to Operating Speeds section for proper tool speed setting.** The three shapes come in three different materials: stainless steel, brass and carbon wire. The stainless steel perform well on pewter, aluminum, stainless steel, and other metals, without leaving "after-rust". Brass brushes are non sparking, and softer than steel; making them good for use on soft metal like gold, cooper and brass. The carbon wire brushes are good for general purpose cleaning.

## Dremel Accessories



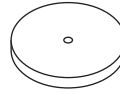
### Bristle Brushes

These are excellent cleaning tools on silverware, jewelry and antiques. The three shapes make it possible to get into tight corners and other difficult places. Bristle brushes can be used with polishing compound for faster cleaning or polishing.



### Brushing Pressure

- Remember, the tips of a wire brush do the work. Operate the brush with the lightest pressure so only the tips of the wire come in contact with the work.
- If heavier pressures are used, the wires will be overstressed, resulting in a wiping action; and if this is continued, the life of the brush will be shortened due to wire fatigue.
- Apply the brush to the work in such a way that as much of the brush face as possible is in full contact with the work. Applying the side or edge of the brush to the work will result in wire breakage and shortened brush life.

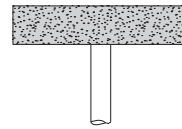


### Polishing Accessories

These include an impregnated polishing point and an impregnated polishing wheel for bringing metal surfaces to smooth finish; a felt polishing tip and felt polishing wheel, and cloth polishing wheel, all used for polishing plastics, metals, jewelry and small parts. Also included in this group is a polishing compound (No. 421) for use with the felt and cloth polishers.

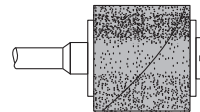
Polishing points make a very smooth surface, but a high luster is obtained using felt or cloth wheels and polishing compound. **For best results polishing accessories should be used at speeds not greater than 15,000 RPM.**

No polishing compound is needed when using the 425 Polishing Wheel.



### Aluminum Oxide Abrasive Wheels

Use to remove paint, deburr metal, polish stainless steel and other metals. Available in medium grit. 1/8" shank.

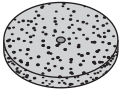


### Sanding Accessories

Sanding bands in fine, medium and coarse grades are made to fit mandrel No. 402 and EZ407. They can be used for nearly any small sanding job you might have, from model making to fine furniture finishing. In addition, there is the drum sander, a tiny drum which fits into the Rotary Tool and makes it possible to shape wood, smooth fiberglass, sand inside curves and other difficult places, and other sanding jobs. You replace the sanding bands on the drum as they become worn and lose their grit. Bands come in fine medium and coarse grades. Flapwheels grind and polish flat or

## Dremel Accessories

contoured surfaces. They are used most effectively as a finishing sander after heavier surface sanding and material removal is completed. Flapwheels come in fine and coarse grades. Buffs are a great finishing accessory for cleaning and light sanding. They work effectively on metal, glass, wood, aluminum and plastics. Coarse and medium buffs are sold together. All buffs are sold individually. **Do not exceed 15,000 RPM in speed. 1/8" shank.**



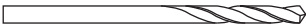
### Grinding Wheel

Use for deburring, removing rust, and general purpose grinding. Use with Mandrel #402.



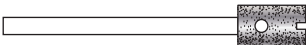
### Brad Point Drill Bits

Titanium coated brad points stay on center and begin drilling immediately. For use on wood. Size 1/8", 5/32", 3/16", 1/4", 1/8" shank.



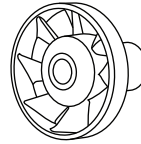
### HSS Drill Bits

HSS drill bit for use in metal and plastic. Size 1/8", 7/64", 3/32", 5/64", 1/16", 3/64", 1/32". Shank size matches the drill bit size. Different collet size (481, 482, 483) or Dremel chuck (4486) required according to drill bit being used.



### Glass Drill Bits

Diamond tipped drill bits for use on glass and ceramic wall tile. Lubricant included.



### Dust Blower

Blows dust away for greater visibility to work piece. Great for sanding, engraving and carving. Do not use dust blower to stop or slow down the tool. Do not contact dust blower with fingers or workpiece during use.



### Dremel Chuck

This chuck allows you to quickly and easily change accessories on Dremel Rotary Tools without changing collets. Accepts accessories with 1/32" - 1/8" shank. Read instruction manual. Insert and securely tighten the shank of the accessory well within the jaws of the chuck.



**CAUTION** Do not use Dremel chuck with AT01-PGA pet grooming attachment. Use only 1/8" collet and collet nut. Use of the Dremel chuck may result in damage to the attachment.

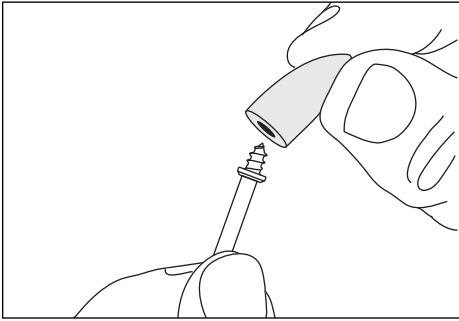
## Dremel Attachment Compatibility

Model No.	Description	Compatibility with 7760
220 / 220-01		Workstation Not Advised
225		Flex Shaft Not Advised
231		Router Table Not Advised
335 / 335-01		Plunge Router No
490		Dust Blower Yes
4486		Dremel Chuck Not Advised
A550		Shield Yes
565		Multi-purpose Cutting Kit Not Advised
568		Grout Removal Kit Not Advised
575		Right Angle Attachment Not Advised
A576		Shaping Platform Yes

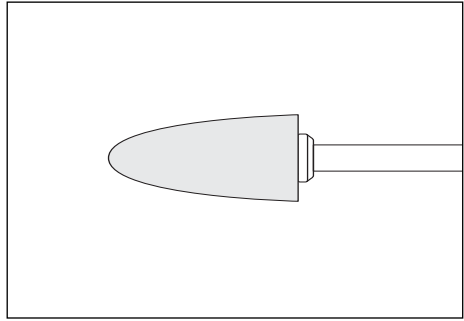
## Dremel Attachment Compatibility

Model No.	Description		Compatibility with 7760
A577		Detailer's Grip	Yes
670 / 670-01		Mini-saw	No
675		Lawn Mower and Garden Tool Sharpener	Yes
678 / 678-01		Circle Cutter and Straight Edge Guide	Not Advised
A679-02		Chain Saw Sharpener	Yes
2500 / 2500-01		Multi-vise	Yes

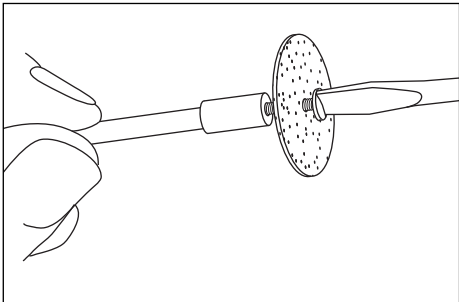
## Dremel Accessories



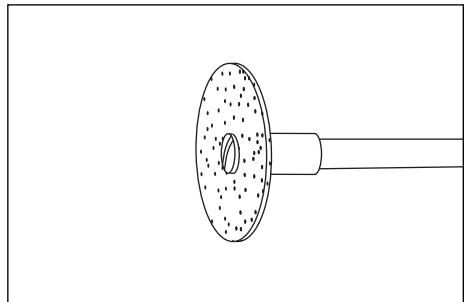
**Mandrel No. 401** is used with the felt polishing tip and wheels. Thread the tip on to the screw carefully. The felt tip must



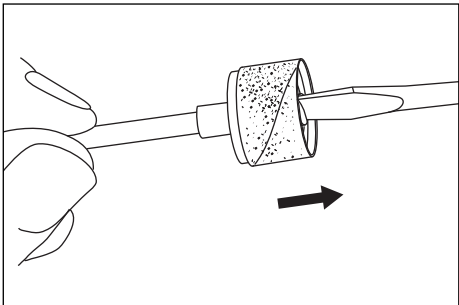
thread down straight on the screw Mandrel, and be turned all the way to the collar.



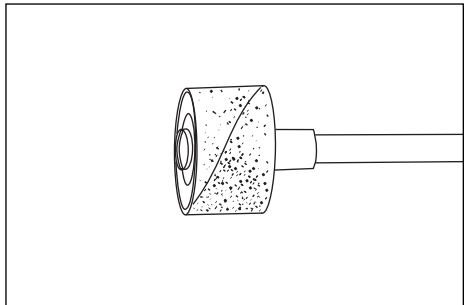
**Mandrel No. 402** has a small screw at its tip, and is used with emery cutting wheels and sanding discs. Higher speeds, usually



maximum, are best for most work, including cutting steel. Which is shown here.



To replace a band on the **Drum Sander**, loosen the screw without removing it to contract the drum then slide the old band off. Slide the new sanding band on and then expand the drum by tightening the screw once again.



**⚠ WARNING** Before each use, check to make certain that all components are assembled to accessory shank and that the drum is sufficiently expanded to secure the band during use. If sanding band is loose on the drum during operation it may “fly” off and strike you or bystanders.

## EZ Lock™ Operating Instructions

**EZ Lock™ Mandrel No. EZ402** has a spring loaded sleeve and is used with cutting wheels, abrasive buffs and polishing cloth.

**⚠ WARNING** Always make sure the rotary tool is “OFF” and disconnect the plug from the power source or the battery pack from the tool before changing accessories. Such preventative safety measures reduce the risk of starting the power tool accidentally.

Always make sure accessory is properly seated on mandrel before use. Incorrect seating of accessory on mandrel may lead to personal injury or property damage.

### To load accessory:

1. Place EZ Lock™ mandrel into collet as deep as possible and tighten collet nut.

**Note:** There is a blue spacer that will bottom out on the collet nut, setting the mandrel to the correct depth. When using with Dremel chuck, back the mandrel out slightly before tightening.

2. Pull spring-loaded sleeve DOWN towards tool with one hand and hold. You can brace the tool on the body or work-bench for extra leverage (Fig. 1).
3. With the other hand, align bowtie shape on cut-off wheel with mandrel and make sure metal insert is facing away from the tool (Fig. 2).
4. Place wheel on the mandrel to a point just below the bowtie on the mandrel and twist 90 degrees until the bowtie shape on the wheel aligns with the sleeve. Release sleeve. Wheel should lock in place (Fig. 3).
5. When mounting sanding and polishing accessories, align bowtie with metal insert on bottom of accessory (Fig. 4 & 5).

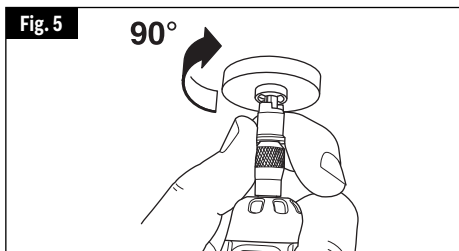
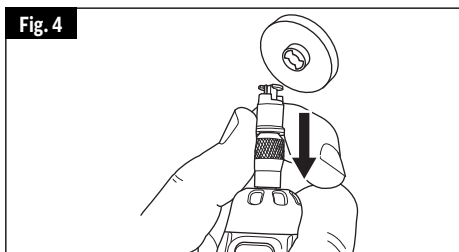
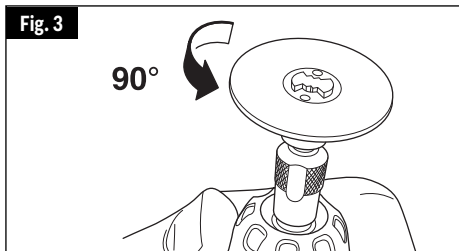
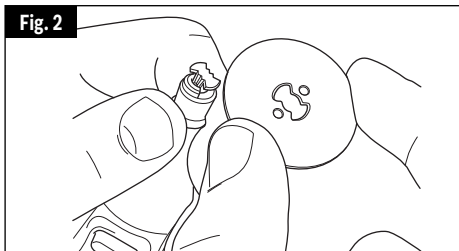
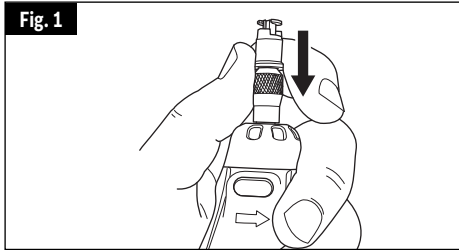
**To check for proper seating, hold shaft lock button and twist accessory. Accessory will not be able to rotate on mandrel.**

### To unload accessory:

1. Pull spring-loaded sleeve DOWN toward tool with one hand (Fig. 1).
2. Hold sleeve down while twisting accessory 90 degrees.
3. Remove accessory.

### During use

Avoid damage to EZ lock™ mandrel by not letting it contact the workpiece.





## EZ Drum™ Operating Instructions

**EZ Drum™ Mandrel No. EZ407SA** has a spring loaded sleeve and is used with sanding bands.

**⚠ WARNING** Always make sure the rotary tool is "OFF" and disconnect the plug from the power source or the battery pack from the tool before changing accessories. Such preventative safety measures reduce the risk of starting the power tool accidentally.

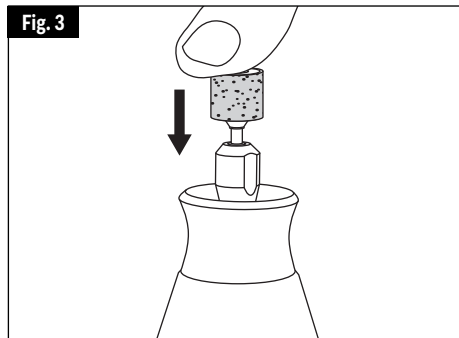
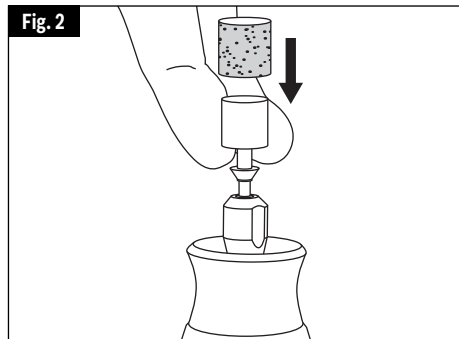
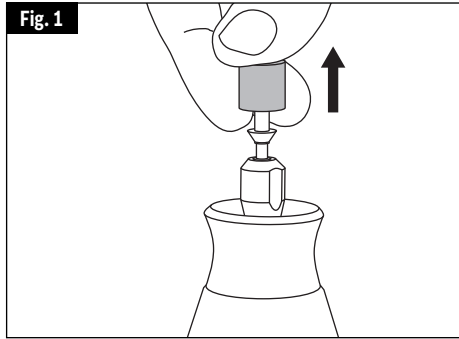
**Always make sure accessory is properly seated on mandrel before use.** Incorrect seating of accessory on mandrel may lead to personal injury or property damage.

### To load accessory:

1. As indicated, place two fingers underneath the mandrel and pull firmly up. This will place the EZ Drum™ in the "unlocked" position (Fig. 1).
2. Keeping two fingers beneath the mandrel, slide the sanding band down until the entire blue mandrel is covered (Fig. 2).
3. To return to "locked" position, press firmly down on the top of the mandrel (Fig. 3).

### Removing the sanding band on the mandrel:

1. Place two fingers underneath the mandrel and pull firmly up. This will place the EZ Drum™ in the "unlocked" position (Fig. 1).
2. Sanding band will now easily slide off mandrel (Fig. 2). Do not squeeze sanding band when removing from EZ Drum™ mandrel. This can lead to rubber band pulling off mandrel and becoming inoperable.



## Speed Settings

**Note: Each number settings listed in the speed charts = x 1,000 RPM**

- \* Speed for light cuts, Caution - burning on deep grooves.
- Depending on cutting direction relative to grain.

Note that the recommended speed may not be suitable for your rotary tool model.

<b>High Speed Cutters</b>								
<b>Catalog Number</b>	<b>Soft Wood</b>	<b>Hard Wood</b>	<b>Laminates /Plastics</b>	<b>Steel</b>	<b>Aluminum, Brass, etc.</b>	<b>Shell/ Stone</b>	<b>Ceramic</b>	<b>Glass</b>
100, 121, 131	25-35	25-35	12-17	12-17	18-24	-	-	-
114, 124, 134, 144	25-35	12-17	9-11	12-17	12-17	-	-	-
118, 190, 191, 192, 193, 194	25-35	25-35	9-11	12-17	25-35	-	-	-
116, 117, 125, 196	25-35	12-17	9-11	12-17	12-17	-	-	-
115	25-35	25-35	9-11	12-17	12-17	-	-	-
198, 199	25-35	18-24	9-11	12-17	12-17	-	-	-

<b>Engraving Cutters</b>								
<b>Catalog Number</b>	<b>Soft Wood</b>	<b>Hard Wood</b>	<b>Laminates /Plastics</b>	<b>Steel</b>	<b>Aluminum, Brass, etc.</b>	<b>Shell/ Stone</b>	<b>Ceramic</b>	<b>Glass</b>
105, 108	25-35	25-35	18-24	9-11	12-17	-	-	-
106, 107, 109, 110	25-35	25-35	12-17	9-11	12-17	-	-	-
111	25-35*	25-35*	18-24*	9-11	12-17	-	-	-
112, 113	25-35*	25-35*	12-17*	9-11	12-17	-	-	-

<b>Diamond Wheel Points</b>								
<b>Catalog Number</b>	<b>Soft Wood</b>	<b>Hard Wood</b>	<b>Laminates /Plastics</b>	<b>Steel</b>	<b>Aluminum, Brass, etc.</b>	<b>Shell/ Stone</b>	<b>Ceramic</b>	<b>Glass</b>
7103, 7105, 7117, 7120, 7122, 7123, 7134, 7144	25-35	18-24	-	-	-	25-35	25-35	25-35

<b>Structured Tooth Tungsten Carbide Cutters</b>								
<b>Catalog Number</b>	<b>Soft Wood</b>	<b>Hard Wood</b>	<b>Laminates /Plastics</b>	<b>Steel</b>	<b>Aluminum, Brass, etc.</b>	<b>Shell/ Stone</b>	<b>Ceramic</b>	<b>Glass</b>
9931, 9932, 9933, 9934, 9935, 9936	25-35	18-24	9-11	-	12-17	-	-	-

## Speed Settings

**Note: Each number settings listed in the speed charts = x 1,000 RPM**

- \* Speed for light cuts, Caution - burning on deep grooves.
- Depending on cutting direction relative to grain.

Note that the recommended speed may not be suitable for your rotary tool model.

<b>Tungsten Carbide Cutters</b>								
Catalog Number	Soft Wood	Hard Wood	Laminates /Plastics	Steel	Aluminum, Brass, etc.	Shell/ Stone	Ceramic	Glass
9901, 9902, 9903, 9904, 9905, 9906, 9912	25-35	18-24	9-11	25-35	12-17	18-24	18-35	18-35
9909, 9910, 9911	-	-	-	-	-	18-24	18-35	18-35

<b>Silicon Carbide Grinding Stones (blue/green)</b>								
Catalog Number	Soft Wood	Hard Wood	Laminates /Plastics	Steel	Aluminum, Brass, etc.	Shell/ Stone	Ceramic	Glass
83142, 83322, 83702, 84922, 85422, 85602, 85622	-	-	12-17	25-35	9-11	12-17	25-35	25-35

<b>Abrasive Wheels / Points</b>								
Catalog Number	Soft Wood	Hard Wood	Laminates /Plastics	Steel	Aluminum, Brass, etc.	Shell/ Stone	Ceramic	Glass
516	4-6	4-6	-	18-24	12-17	-	-	-
500	4-6	4-6	-	18-24	9-17	-	-	-
EZ541GR	-	-	-	12-24	9-17	-	-	-

<b>Aluminum oxide grinding stones (orange/brown)</b>								
Catalog Number	Soft Wood	Hard Wood	Laminates /Plastics	Steel	Aluminum, Brass, etc.	Shell/ Stone	Ceramic	Glass
541, 903, 911, 921, 932, 941, 945, 952, 953, 954, 971, 997, 8153, 8175, 8193, 8215	25-35	25-35	-	18-24	9-11	12-17	25-35	-

<b>Chain Saw Sharpening Stones</b>								
Catalog Number	Soft Wood	Hard Wood	Laminates /Plastics	Steel	Aluminum, Brass, etc.	Shell/ Stone	Ceramic	Glass
453, 454, 455	-	-	-	25-35	-	-	-	-

## Speed Settings

**Note: Each number settings listed in the speed charts = x 1,000 RPM**

- \* Speed for light cuts, Caution - burning on deep grooves.
- Depending on cutting direction relative to grain.

Note that the recommended speed may not be suitable for your rotary tool model.

Cutting Accessories								
Catalog Number	Soft Wood	Hard Wood	Laminates /Plastics	Steel	Aluminum, Brass, etc.	Shell/ Stone	Ceramic	Glass
409, 420, 426, 540, EZ409	-	-	5-11	25-35	25-35	25-35	25-35	-
543, EZ544	25-35	18-35	5-11	-	-	-	-	-
545, EZ545	18-35	18-24	-	-	-	12-24	12-24	-
EZ456	-	-	-	25-35	25-35	-	-	-
EZ476	-	-	5-11	-	-	-	-	-

Polishing Accessories								
Catalog Number	Soft Wood	Hard Wood	Laminates /Plastics	Steel	Aluminum, Brass, etc.	Shell/ Stone	Ceramic	Glass
461, 462, 463	-	-	-	18-24	18-24	18-24	18-24	18-24
414, 422, 429	-	-	-	12-17	12-17	12-17	12-17	12-17
425, 427	-	-	-	18-24	18-24	-	-	-
423E	-	-	-	12-24	5-8	5-8	5-8	12-24

Wire Brushes								
Catalog Number	Soft Wood	Hard Wood	Laminates /Plastics	Steel	Aluminum, Brass, etc.	Shell/ Stone	Ceramic	Glass
403, 404, 405	9-11	9-11	5-11	12-17	5-8	-	-	-
428, 442, 443	9-11	9-11	5-8	9-11	9-11	-	-	-
530, 531, 532	-	9-11	-	9-11	-	-	-	-
535, 536, 537	9-11	9-11	-	9-11	9-11	9-11	-	-

Sanding Bands and Discs								
Catalog Number	Soft Wood	Hard Wood	Laminates /Plastics	Steel	Aluminum, Brass, etc.	Shell/ Stone	Ceramic	Glass
407, 408, 430, 431, 432, 438, 439, 440, 444	5-35	5-35	5-17	25-35	25-35	5-35	5-35	-
411, 412, 413	12-17	12-17	5-8	-	5-8	-	-	-

## Speed Settings

**Note: Each number settings listed in the speed charts = x 1,000 RPM**

- \* Speed for light cuts, Caution - burning on deep grooves.
- Depending on cutting direction relative to grain.

Note that the recommended speed may not be suitable for your rotary tool model.

Flapwheels								
Catalog Number	Soft Wood	Hard Wood	Laminates /Plastics	Steel	Aluminum, Brass, etc.	Shell/ Stone	Ceramic	Glass
502, 503, 504, 505	25-35	18-24	5-8	25-35	18-35	-	-	-

Finishing Abrasive Buffs								
Catalog Number	Soft Wood	Hard Wood	Laminates /Plastics	Steel	Aluminum, Brass, etc.	Shell/ Stone	Ceramic	Glass
511E, 512E	12-17	12-17	9-11	12-17	12-17	-	-	-

Detail Abrasive Brushes								
Catalog Number	Soft Wood	Hard Wood	Laminates /Plastics	Steel	Aluminum, Brass, etc.	Shell/ Stone	Ceramic	Glass
EZ471SA, EZ472SA, EZ473SA	5-17	5-17	5-17	5-17	5-17	-	-	-

Drill Bit								
Catalog Number	Soft Wood	Hard Wood	Laminates /Plastics	Steel	Aluminum, Brass, etc.	Shell/ Stone	Ceramic	Glass
150	25-35	18-35	5-11	-	12-17	-	-	-

Glass Drilling Bits								
Catalog Number	Soft Wood	Hard Wood	Laminates /Plastics	Steel	Aluminum, Brass, etc.	Shell/ Stone	Ceramic	Glass
662DR, 663DR	-	-	-	-	-	5-17	5-17	5-17

Grout Removal Bits								
Catalog Number	Soft Wood	Hard Wood	Laminates /Plastics	Steel	Aluminum, Brass, etc.	Shell/ Stone	Ceramic	Glass
569, 570	For use on wall and floor grout					-	12-24	-

## Symboles relatifs à la sécurité

Les définitions ci-dessous décrivent le niveau de gravité pour chaque terme signalant un danger. Veuillez lire le mode d'emploi et lire la signification de ces symboles.

	<p>C'est le symbole d'alerte relatif à la sécurité. Il est utilisé pour vous avertir de l'existence possible d'un danger de lésion corporelle. Obéissez à tous les messages relatifs à la sécurité qui suivent ce symbole pour éviter tout risque de blessure ou même de mort.</p>
	<p>DANGER indique une situation dangereuse qui, si elle n'est pas évitée, causera la mort d'une personne ou une blessure grave.</p>
	<p>AVERTISSEMENT indique une situation dangereuse qui, si elle n'est pas évitée, pourrait causer la mort d'une personne ou une blessure grave.</p>
	<p>MISE EN GARDE indique une situation dangereuse qui, si elle n'est pas évitée, causera une blessure légère ou modérée.</p>

## Consignes de sécurité importantes

**AVERTISSEMENT** Des précautions élémentaires doivent être prises de l'utilisation d'outils électriques, notamment les précautions suivantes :

- a) Lire toutes les instructions avant d'utiliser cet appareil
- b) Pour réduire le risque de blessure, une supervision attentive est nécessaire lorsqu'un appareil est utilisé à proximité d'enfants
- c) Ne pas toucher de pièces mobiles
- d) N'utiliser que les accessoires recommandés ou vendus par le fabricant
- e) Ne pas utiliser à l'extérieur
- f) Pour réduire le risque de choc électrique, ne l'immerger dans l'eau ou dans tout autre liquide. Ne pas placer ou ranger l'appareil à un endroit où il pourrait tomber ou être attiré dans une baignoire ou dans un évier.
- g) Utilisez seulement l'adaptateur de courant recommandé par le fabricant pour recharger.

**CONSERVEZ CES INSTRUCTIONS**

## Consignes de sécurité pour les soins aux animaux de compagnie

**AVERTISSEMENT** Lisez toutes les consignes de sécurité et toutes les instructions. La non-observation des avertissements et des instructions pourrait causer un incendie et/ou des blessures graves à une personne ou un animal.

**Maintenez à distance de l'eau.** Faites particulièrement attention lorsque vous utilisez un outil rotatif près d'une baignoire ou d'un endroit où vous pouvez laver un animal de compagnie. La pénétration d'eau dans un outil électrique augmentera le risque de choc électrique.

**Utilisez des équipements de protection personnelle. Portez toujours des**

**équipements de protection des yeux.**

**Ce produit n'est conçu que pour les soins des ongles des pattes d'un chien ou d'un chat. Ce produit n'a pas été conçu pour une utilisation comme foret dentaire ou pour d'autres applications médicales ou vétérinaires.** Cela risquerait de causer des blessures graves.

**N'utilisez que l'accessoire de disque de**

## Consignes de sécurité pour les soins aux animaux de compagnie

**ponçage SD60-PGA et le mandrin EZ Lock™ EZ402 avec l'attachement AT01-PGA.** L'utilisation de tout autre accessoire pourrait causer de graves blessures.

**N'utilisez pas l'attachement AT01-PGA sans que tous les composants n'aient été installés conformément au mode d'emploi.** Toute autre utilisation serait inappropriée et pourrait entraîner des blessures.

**La vitesse maximale recommandée pour la plupart des applications de toilettage d'animaux de compagnie est de 10 000/min. Le réglage de vitesse recommandé est « 1 ». L'épaisseur des clous et d'autres facteurs peuvent nécessiter l'utilisation de vitesses plus élevées. Soyez extrêmement prudent**

**lorsque vous travaillez à des vitesses plus élevées et limitez la durée pendant laquelle le clou est exposé à la surface de ponçage.** L'utilisation de vitesses de fonctionnement plus élevées pourrait causer une accumulation de chaleur et blesser l'animal de compagnie. Surveillez toujours l'animal de compagnie pour déceler tout signe d'inconfort et cessez de le toiletter si vous observez de tels signes.

**Assurez-vous qu'il n'y a pas de poils d'animaux sur les pièces en rotation.** Les poils risqueraient de se coincer dans l'outil et de causer des blessures à votre animal. Référez-vous à la section « Conseils de sécurité pour les animaux de compagnie » pour plus d'informations.

## Avertissements généraux concernant la sécurité des outils électroportatifs

**⚠ AVERTISSEMENT** Veuillez lire tous les avertissements et toutes les consignes de sécurité. Si l'on n'observe pas ces avertissements et ces consignes de sécurité, il existe un risque de choc électrique, d'incendie et/ou de blessures corporelles graves.

### CONSERVEZ TOUS LES AVERTISSEMENTS ET TOUTES LES CONSIGNES DE SÉCURITÉ POUR RÉFÉRENCE FUTURE.

Dans les avertissements, le terme « outil électroportatif » se rapporte à votre outil branché sur le secteur (avec fil) ou à votre outil alimenté par piles (sans fil).

### ► Sécurité du lieu de travail

**Maintenez le lieu de travail propre et bien éclairé.** Les risques d'accident sont plus élevés quand on travaille dans un endroit encombré ou sombre.

**N'utilisez pas d'outils électroportatifs dans des atmosphères explosives, comme par exemple en présence de gaz, de poussières ou de liquides inflammables.** Les outils électroportatifs produisent des étincelles qui risquent d'enflammer les poussières ou les vapeurs.

**Éloignez les enfants et les visiteurs quand vous vous servez d'un outil électroportatif.** Vous risquez une perte de contrôle si on vous distrait.

### ► Sécurité électrique

**Les fiches des outils électroportatifs doivent correspondre à la prise. Il ne faut absolument jamais modifier la fiche. N'utilisez pas d'adaptateur de prise avec des outils électroportatifs munis d'une**

**fiche de terre.** Le risque de choc électrique est moindre si on utilise une fiche non modifiée sur une prise qui lui correspond.

**Évitez tout contact du corps avec des surfaces reliées à la terre tels que tuyaux, radiateurs, gazinières ou réfrigérateurs.** Le risque de choc électrique augmente si votre corps est relié à la terre.

**N'exposez pas les outils électroportatifs à la pluie ou à l'humidité.** Si de l'eau pénètre dans un outil électroportatif, le risque de choc électrique augmente.

**Ne maltraitez pas le cordon. Ne vous en servez jamais pour transporter l'outil électroportatif, pour le tirer ou pour le débrancher. Éloignez le cordon de la chaleur, des huiles, des arêtes coupantes ou des pièces mobiles.** Les cordons abîmés ou emmêlés augmentent les risques de choc électrique.

**Si vous utilisez un outil électroportatif à l'extérieur, employez une rallonge conçue pour l'extérieur.** Ces rallonges sont faites pour l'extérieur et réduisent le risque de choc électrique.

## Avertissements généraux concernant la sécurité des outils électroportatifs

**S'il est absolument nécessaire d'utiliser l'outil électroportatif dans un endroit humide, utilisez une alimentation protégée par un disjoncteur de fuite de terre (GFCI).** L'utilisation d'un disjoncteur GFCI réduit les risques de choc électrique.

### ► Sécurité personnelle

**Restez concentré, faites attention à ce que vous faites, et servez-vous de votre bon sens lorsque vous utilisez un outil électroportatif. N'employez pas d'outils électroportatifs quand vous êtes fatigué ou sous l'emprise de drogues, d'alcool ou de médicaments.** Quand on utilise des outils électroportatifs, il suffit d'un moment d'inattention pour causer des blessures corporelles graves.

**Utilisez des équipements de sécurité personnelle. Portez toujours une protection oculaire.** Le port d'équipements de sécurité tels que des masques antipoussières, des chaussures de sécurité antidérapantes, des casques de chantier et des protecteurs d'oreilles dans des conditions appropriées réduira le risque de blessure corporelle.

**Évitez les démarrages intempestifs. Assurez-vous que l'interrupteur est dans la position arrêt (Off) avant de brancher l'outil dans une prise de courant et/ou un bloc-piles, de le ramasser ou de le transporter.** Le transport d'un outil électroportatif avec le doigt sur la gâchette ou le branchement de cet outil quand l'interrupteur est en position de marche (ON) est une invite aux accidents.

**Enlevez toutes les clés de réglage avant de mettre l'outil électroportatif en marche.** Si on laisse une clé sur une pièce tournante de l'outil électroportatif, il y a risque de blessure corporelle.

**Ne vous penchez pas. Conservez toujours une bonne assise et un bon équilibre.** Ceci vous permettra de mieux maîtriser l'outil électroportatif dans des situations inattendues.

**Habilitez-vous de manière appropriée. Ne portez pas de vêtements amples ou de bijoux. Attachez les cheveux longs. N'approchez pas les cheveux, les vêtements ou les gants des pièces en mouvement.** Les vêtements amples, les bijoux ou les cheveux longs risquent d'être

happés par les pièces en mouvement.

**Si l'outil est muni de dispositifs permettant le raccordement d'un système d'aspiration et de collecte des poussières, assurez-vous que ces dispositifs sont raccordés et utilisés correctement.** L'utilisation d'un dépoussiéreur peut réduire les dangers associés à l'accumulation de poussière.

### ► Utilisation et entretien des outils électroportatifs

**Ne forcez pas sur l'outil électroportatif. Utilisez l'outil électroportatif qui convient à la tâche à effectuer.** L'outil qui convient à la tâche fait un meilleur travail et est plus sûr à la vitesse pour lequel il a été conçu.

**Ne vous servez pas de l'outil électroportatif si son interrupteur ne parvient pas à le mettre en marche ou à l'arrêter.** Tout outil électroportatif qui ne peut pas être commandé par son interrupteur est dangereux et doit être réparé.

**Débranchez la fiche de la prise ou enlevez le bloc-pile de l'outil électroportatif avant tout réglage, changement d'accessoires ou avant de ranger l'outil électroportatif.** De telles mesures de sécurité préventive réduisent le risque de démarrage intempestif de l'outil électroportatif.

**Rangez les outils électroportatifs dont vous ne vous servez pas hors de portée des enfants et ne permettez pas à des personnes qui ne connaissent pas l'outil électroportatif ou qui ignorent ces consignes de s'en servir.** Les outils électroportatifs sont dangereux dans les mains d'utilisateurs inexpérimentés.

**Entretenez les outils électroportatifs. Vérifiez que les pièces mobiles sont alignées correctement et ne coincent pas. Vérifiez qu'il n'y a pas de pièces cassées ou d'autre circonstance qui risquent d'affecter le fonctionnement de l'outil électroportatif. Si l'outil est abîmé, faites-le réparer avant de l'utiliser.** De nombreux accidents sont causés par des outils électroportatifs mal entretenus.

**Maintenez les outils coupants affûtés et propres.** Les outils coupants entretenus correctement et dotés de bords tranchants affûtés sont moins susceptibles de coincer et sont plus faciles à maîtriser.



## Avertissements généraux concernant la sécurité des outils électroportatifs

Utilisez l'outil électroportatif, les accessoires et les embouts d'outil, etc. conformément à ces instructions, en tenant compte des conditions de travail et des travaux à réaliser. L'emploi d'outils électroportatifs pour des tâches différentes de celles pour lesquelles ils ont été prévus peut résulter en une situation dangereuse.

### ► Utilisation et entretien des outils à piles

Rechargez les piles uniquement avec le chargeur spécifié par le fabricant. Un chargeur qui convient à un type de bloc-piles peut entraîner un risque d'incendie quand il est utilisé avec un autre bloc-piles.

Utilisez des outils électroportatifs uniquement avec les bloc-piles spécifiquement désignés pour eux. L'utilisation de tout autre bloc-piles peut créer un risque de blessures et d'incendie.

Lorsque le bloc-piles n'est pas utilisé, gardez-le à distances d'autres objets

métalliques tels que des trombones, des pièces de monnaie, des clés, des clous, des vis ou de tout autre objet métallique pouvant faire une connexion entre une borne et une autre. Court-circuiter les bornes des piles peut causer des brûlures ou un incendie.

Dans des conditions abusives, du liquide peut être éjecté de la pile ; dans un tel cas, évitez tout contact avec ce liquide. Si un contact se produit accidentellement, rincez avec de l'eau. Si le liquide entre en contact avec les yeux, consultez un médecin. Du liquide éjecté de la pile peut causer des irritations ou des brûlures.

### ► Entretien

Faites réparer votre outil électroportatif par un agent de service qualifié n'utilisant que des pièces de rechange identiques. Ceci assure que la sécurité de l'outil électroportatif est préservée.

## Consignes de sécurité pour les outils rotatifs

### ► Avertissements relatifs à la sécurité communs aux opérations de meulage, de ponçage, de passage à la brosse métallique, de polissage, de ciselage et de tronçonnage abrasif :

Cet outil électroportatif est conçu pour fonctionner comme outil adapté aux opérations de meulage, de ponçage, de passage à la brosse métallique, de polissage, de ciselage ou de tronçonnage. Lisez l'ensemble des avertissements relatifs à la sécurité, des instructions, des illustrations et des spécifications accompagnant cet outil électroportatif. Le non-respect de toutes les instructions figurant ci-dessous pourrait causer un choc électrique, un incendie et/ou une blessure grave.

N'utilisez pas d'accessoires qui ne sont pas conçus et recommandés spécifiquement par le fabricant de l'outil. Le simple fait que l'accessoire puisse être connecté à votre outil électroportatif ne suffit pas à garantir un fonctionnement sans danger.

La VITESSE NOMINALE des accessoires

doit être au moins égale à la vitesse de fonctionnement indiquée sur l'outil électrique. Si des accessoires fonctionnent à une vitesse supérieure à leur VITESSE NOMINALE, ils risquent de se casser et d'être projetés dans l'air.

Le diamètre extérieur et l'épaisseur de votre accessoire doivent être compris dans la capacité nominale de votre outil électromécanique. Des accessoires de taille incorrecte ne peuvent pas être contrôlés de façon adéquate.

La taille de l'axe de rotation des meules, des tambours de ponçage ou de tous autres accessoires doit correspondre exactement à celle de l'axe de rotation ou à la douille de l'outil électroportatif. Les accessoires qui ne correspondent pas à la taille du matériel de montage de l'outil électroportatif fonctionneront de manière déséquilibrée, avec des vibrations excessives, et ils risqueraient de causer une perte de contrôle.

Les MEULES MONTÉES à mandrin, ainsi que les cylindres de contact, les outils de coupe ou autres accessoires doivent être totalement insérés dans la douille ou le mandrin. Si le mandrin n'est pas suffisamment maintenu et/ou si le porte-à-

## Consignes de sécurité pour les outils rotatifs

faux de la meuleuse est trop long, la MEULE MONTÉE risque de se détacher et d'être éjectée violemment.

**N'utilisez pas un accessoire endommagé. Avant chaque utilisation, inspectez l'accessoire (p. ex., une meule abrasive pour vous assurer qu'il n'y a pas de fissures ou d'éclats, un tambour de ponçage pour vous assurer qu'il n'est pas fissuré ou excessivement usé, ou une brosse métallique pour vous assurer qu'elle ne comporte pas de fils desserrés ou fissurés). Si vous avez laissé tomber l'outil ou l'accessoire, inspectez-le pour vous assurer qu'il n'est pas endommagé ou installez un accessoire qui n'est pas endommagé. Après avoir inspecté et installé un accessoire, placez-vous (et toutes autres personnes présentes) hors de la trajectoire prévisible de l'accessoire en rotation, et faites fonctionner l'outil électroportatif à la vitesse maximum à vide pendant une minute.** Des accessoires endommagés se briseraient normalement avant la fin de la durée de ce test.

**Portez des équipements de protection personnelle. Selon l'application, utilisez un écran de protection du visage, des lunettes de protection ou des lunettes de sécurité. Suivant les besoins, portez également un masque de protection contre la poussière, des protecteurs d'oreilles, des gants et un tablier d'atelier capable d'intercepter des petits objets ou fragments d'ouvrage abrasifs. Le dispositif de protection des yeux doit être capable d'intercepter des débris volants projetés par diverses opérations.** L'appareil respiratoire ou le masque de protection doit être capable de filtrer les particules produites par votre opération. Une exposition prolongée à un bruit de haute intensité peut causer une perte auditive.

**Veillez à ce que toutes les personnes présentes soient à une distance de sécurité de la zone de travail. Toute personne entrant dans la zone de travail doit porter des équipements de protection personnelle.** Des fragments d'ouvrage ou d'un accessoire cassé pourraient être projetés violemment et causer des blessures au-delà de la zone d'opération immédiate.

**Ne tenez l'outil électroportatif que par ses surfaces de préhension isolées lorsque vous effectuez une opération au cours de laquelle l'accessoire de coupe risquerait d'entrer en contact avec des fils**

**électriques cachés.** L'entrée de l'accessoire de coupe en contact avec un fil sous tension pourrait mettre les surfaces en métal exposées de l'outil électroportatif sous tension et causer un choc électrique à l'opérateur.

**Tenez toujours l'outil fermement à la main (ou avec les deux mains) lors de la mise en marche.** Le couple de réaction du moteur, lorsqu'il passe à la vitesse maximale, risque de causer une rotation accidentelle de l'outil.

**Utilisez des brides de fixation pour soutenir l'ouvrage chaque fois que cela est possible. Ne tenez jamais un ouvrage de petites dimensions d'une main et l'outil de l'autre main lorsque ce dernier est en marche.** L'assujettissement d'un ouvrage de petites dimensions vous permet d'utiliser votre main ou vos deux mains pour mieux contrôler l'outil. Des objets ronds tels que des tiges, des tuyaux ou des tubes ont tendance à rouler lorsqu'ils sont coupés, ce qui peut coincer l'embout ou le faire sauter dans votre direction.

**Positionnez le cordon à une distance suffisante de l'accessoire en rotation.** En cas de perte de contrôle, le cordon risquerait d'être coupé ou coincé, et votre main ou votre bras pourrait être attiré dans l'accessoire en rotation.

**Ne posez jamais l'outil électroportatif avant que l'accessoire se soit totalement arrêté.** L'accessoire en rotation risquerait d'accrocher la surface et de tirer sur l'outil, vous faisant perdre le contrôle de l'outil électroportatif.

**Après avoir changé un embout ou effectué un réglage, veillez à ce que l'écrou de fixation de la douille ou tout autre dispositif de fixation soit solidement attaché.** Des dispositifs de fixation mal serrés pourraient changer de position de manière imprévisible et causer une perte de contrôle, auquel cas les composants en rotation mal assujettis se détacheraient et seraient projetés violemment.

**Ne laissez pas l'outil électroportatif en marche pendant que vous le transportez.** Un contact accidentel avec l'accessoire pourrait lui faire accrocher vos vêtements, attirant ainsi l'accessoire vers votre corps et risquant de vous blesser.

**Nettoyez régulièrement les événements d'aération de l'outil électroportatif.** Le ventilateur du moteur attirera de la poussière à l'intérieur du carter, et une accumulation excessive de métal en poudre

## Consignes de sécurité pour les outils rotatifs

pourrait causer des dangers électriques.

**N'utilisez pas l'outil électroportatif à proximité de matériaux inflammables.** Des étincelles risqueraient de mettre le feu à ces matériaux.

**N'utilisez pas d'accessoires qui nécessitent des liquides de refroidissement.** L'utilisation d'eau ou d'autres liquides de refroidissement pourrait causer une électrocution ou un choc électrique.

**Utilisez seulement dans un endroit bien ventilé.** Travailler dans un environnement sécurisé réduit les risques de blessures.

**Prévoyez suffisamment d'espace, au moins 15 cm, entre votre main et la mèche en train de tourner. Maintenez toutes les parties de votre corps à une distance suffisante de la mèche en rotation.** La proximité de la mèche en rotation par rapport à votre main n'est pas toujours évidente.

**Ne touchez pas la mèche ou la douille tout de suite après avoir utilisé l'outil.** Après l'emploi, la mèche et la douille sont trop chaudes pour que l'on puisse les toucher avec les mains nues.

**Ne modifiez pas l'outil et ne le soumettez pas à un usage abusif.** Toute altération ou modification est considérée comme une utilisation inappropriée et pourrait entraîner des blessures graves.

**Ce produit n'a pas été conçu pour une utilisation comme foret dentaire ou pour d'autres applications médicales ou vétérinaires.** Cela risquerait de causer des blessures graves.

### ► Avertissements concernant l'effet de rebond et avertissements associés

L'effet de rebond est une réaction soudaine à un pincement ou à l'accrochage d'une meule, d'un plateau porte-disque, d'une brosse ou de tout autre accessoire en rotation. Le pincement ou l'accrochage cause un blocage rapide de l'accessoire en rotation, ce qui, à son tour, cause la projection de l'outil électroportatif qui n'est plus contrôlé dans le sens opposé à celui de la rotation de l'accessoire.

Par exemple, si une meule abrasive est accrochée ou pincée par l'ouvrage, le bord de la meule qui entre dans le point de pincement peut s'enfoncer dans la surface du matériau et causer un choc en retour,

étant éjectée violemment du matériau. La meule peut alors être projetée vers l'opérateur, ou dans le sens contraire, en fonction du sens du mouvement de la meule au point de pincement. Les meules abrasives risquent également de se casser dans de telles circonstances.

L'effet de rebond est la conséquence d'une utilisation incorrecte de l'outil électroportatif et/ou de conditions ou de procédures d'utilisation incorrectes ; il peut être évité si l'on prend les précautions appropriées, comme indiqué ci-dessous.

**Maintenez une prise ferme sur l'outil électroportatif et positionnez votre corps et vos bras de façon à vous permettre de résister à la force d'un tel effet de rebond éventuel.** L'opérateur peut contrôler les forces des effets de rebond s'il prend les précautions nécessaires.

**Faites particulièrement attention lorsque vous travaillez dans des coins, sur des bords tranchants, etc. Évitez de faire rebondir l'accessoire ou de le laisser s'accrocher.** Les coins, les bords tranchants et les rebondissements ont tendance à accrocher un accessoire en rotation et de causer une perte de contrôle ou un choc en retour.

**N'attachez pas une lame de scie dentelée.** De telles lames causent souvent des effets de rebond et des pertes de contrôle.

**Faites toujours pénétrer l'embout dans le matériau dans le même sens que celui dans lequel le bord coupant en ressort (qui est le même sens que celui dans lequel les copeaux sont projetés).** Si l'embout pénètre dans le matériau dans le mauvais sens, le bord coupant de l'embout risque d'être éjecté de l'ouvrage et d'attirer l'outil dans le sens de pénétration de l'embout.

**Lorsque vous utilisez des limeuses, des meules de tronçonnage, des outils de coupe à haute vitesse ou des outils de coupe au carbure de tungstène rotatifs, utilisez toujours des brides de fixation pour immobiliser l'ouvrage de façon sécurisée.** Ces meules s'accrocheront si elles sont légèrement inclinées dans la rainure, et un choc en retour est possible. Quand une meule de tronçonnage est accrochée, elle se casse la plupart du temps. Quand une limeuse, un outil de coupe à haute vitesse ou un outil de coupe au carbure de tungstène rotatif est accroché, il risque de sortir de la rainure et de vous faire perdre le contrôle de l'outil.

## Consignes de sécurité pour les outils rotatifs

### ► Avertissements relatifs à la sécurité pour les opérations de meulage et de tronçonnage abrasif :

**N'utilisez que les types de meules qui sont recommandés pour votre outil électroportatif et pour certaines applications. Par exemple : ne meulez pas avec le côté d'une meule de tronçonnage.** Comme les meules de tronçonnage abrasif sont conçues pour un meulage périphérique, les forces latérales appliquées sur ces meules pourraient les faire éclater.

**Pour les cônes et les tampons abrasifs filetés, utilisez seulement des mandrins de meules en bon état avec une bride de fixation d'épaulement de la taille et de la longueur nécessaires.** L'utilisation de mandrins appropriés réduira le risque de cassure.

**Ne coinciez pas une meule de tronçonnage et n'appliquez pas une pression excessive sur une telle meule. Ne tentez pas de réaliser une coupe de profondeur excessive.** Ceci causerait une augmentation de la charge et le risque de voir la meule se tordre ou s'accrocher dans la rainure, avec comme conséquence possible un choc en retour ou la cassure de la meule.

**Ne positionnez pas votre main dans la trajectoire de la meule en rotation ou derrière celle-ci.** Lorsque la meule, au point de fonctionnement, s'éloigne de votre main, l'effet de rebond possible pourrait propulser la meule en rotation et l'outil électroportatif directement vers vous.

**Lorsque la meule est pincée ou accrochée, ou quand une opération de coupe est interrompue pour quelque raison que ce soit, mettez l'outil électroportatif hors tension et tenez-le en position fixe jusqu'à ce que la meule s'arrête complètement. Ne tentez jamais de faire sortir la meule de tronçonnage de la rainure pendant qu'elle est toujours en train de tourner, car cela pourrait causer un choc en retour.** Effectuez une inspection de la situation et prenez des mesures correctives pour éliminer la cause du pincement ou de l'accrochage de la meule.

**Ne recommencez pas à couper dans l'ouvrage immédiatement. Attendez que la meule atteigne sa vitesse normale et introduisez-la alors à nouveau dans l'ouvrage en prenant les précautions**

**nécessaires.** La meule risquerait de se coincer, de sortir de la rainure ou de causer un choc en retour si l'outil électroportatif était remis en marche alors qu'elle se trouvait toujours dans l'ouvrage.

**Supportez les panneaux ou les ouvrages de grande taille afin de minimiser le risque de pincement de la meule et de choc en retour.** Les ouvrages de grande taille ont tendance à s'affaisser sous leur propre poids. Des supports doivent être placés sous ces ouvrages, à proximité de la ligne de coupe et près du bord de l'ouvrage, des deux côtés de la meule.

**Prenez encore plus de précautions lorsque vous découpez une cavité dans des murs existants ou dans d'autres endroits sans visibilité.** La meule saillante risque de couper une canalisation d'eau ou de gaz, des fils électriques ou des objets pouvant causer un choc en retour.

### ► Avertissements relatifs à la sécurité pour les opérations avec des brosses métalliques :

**Tenez toujours compte du fait que des poils des brosses se détachent et sont projetés par les brosses même dans des conditions de fonctionnement normales. N'aggravez pas ce problème en faisant pression excessivement sur la brosse.** Les poils d'une brosse métallique ainsi projetés peuvent facilement s'enfoncer dans des vêtements légers et/ou dans la peau.

**Laissez les brosses fonctionner à la vitesse normale pendant au moins une minute avant de les utiliser. Pendant ce temps personne ne doit se tenir devant la brosse ou dans sa trajectoire possible.** Des fils ou poils lâches seront déchargés pendant cette période de fonctionnement initiale.

**Dirigez la décharge de la brosse métallique en rotation dans le sens opposé à l'endroit où vous vous trouvez.** De petites particules et de minuscules fragments de fils peuvent être déchargés à haute vitesse pendant l'utilisation de ces brosses et risquent de s'enfoncer dans votre peau.

## Avertissements supplémentaires concernant la sécurité

L'emploi d'un GFCI et de dispositifs de protection personnelle tels que gants et chaussures d'électricien en caoutchouc améliorent votre sécurité personnelle.

**N'utilisez pas un outil conçu uniquement pour le C.A. sur une alimentation en C.C.** Même si l'outil semble fonctionner, les composants électriques d'un outil prévu pour le C.A. tomberont probablement en panne et risquent de créer un danger pour l'utilisateur.

**Maintenez les poignées sèches et exemptes d'huile et de graisse.** On ne peut pas maîtriser un outil électroportatif en toute sécurité quand on a les mains glissantes.

**Créez un agenda d'entretien périodique pour votre outil. Quand vous nettoyez un outil, faites attention de n'en démonter aucune pièce car il est toujours possible de mal remonter ou de pincer les fils internes ou de remonter incorrectement les ressorts de rappel des capots de protection.** Certains agents de nettoyage tels que l'essence, le tétrachlorure de carbone, l'ammoniaque, etc. risquent d'abîmer les plastiques.

**⚠ AVERTISSEMENT** Les travaux à la machine tel que ponçage, sciage, meulage, perçage et autres travaux du bâtiment peuvent créer des poussières contenant des produits chimiques qui sont des causes reconnues de cancer, de malformation congénitale ou d'autres problèmes reproductifs. Ces produits chimiques sont, par exemple :

- Le plomb provenant des peintures à base de plomb,
- Les cristaux de silices provenant des briques et du ciment et d'autres produits de maçonnerie, et
- L'arsenic et le chrome provenant des bois traités chimiquement.

Le niveau de risque dû à cette exposition varie avec la fréquence de ces types de travaux. Pour réduire l'exposition à ces produits chimiques, il faut travailler dans un lieu bien ventilé et porter un équipement de sécurité approprié tel que certains masques à poussière conçus spécialement pour filtrer les particules microscopiques.

## Consignes de sécurité pour la charge

**⚠ AVERTISSEMENT** Ce mode d'emploi contient des instructions pour l'adaptateur de courant modèle 510. S'il n'y a pas d'adaptateur de courant inclus, chargez l'outil en utilisant un adaptateur de courant USB de 5 V/1 A minimum.

**Avant d'utiliser l'adaptateur de courant, lisez toutes les instructions et toutes les mises en garde sur (1) l'adaptateur de courant et (2) le produit utilisant la pile.**

**Chargez seulement PawControl 7760-PGK.** D'autres types d'outils sans fil peuvent éclater, causant ainsi des blessures et des dommages.

**Chargez l'outil à des températures supérieures à +32° F (0° C) et inférieures à +122° F (50° C). Rangez l'outil dans des endroits où la température ne dépassera pas 140° F (60° C).** Ceci est important pour éviter de graves dommages aux cellules des piles.

**Ne rechargez pas l'outil dans un environnement humide ou mouillé. N'exposez pas l'adaptateur de courant à la pluie ou à la neige.** La pénétration d'eau à l'intérieur de l'adaptateur de courant pourrait causer un choc électrique ou un incendie.

**Il peut y avoir une fuite de pile dans des conditions extrêmes d'utilisation ou de température. Évitez tout contact avec la peau et les yeux.** Le liquide de pile est caustique et pourrait causer des brûlures chimiques aux tissus. Si le liquide vient en contact avec la peau, lavez rapidement à l'eau savonneuse. Si le liquide vient en contact avec les yeux, rincez-les à l'eau pendant au moins 10 minutes et sollicitez des soins médicaux.

**Placez l'outil sur des surfaces plates et non inflammables, et à distance de tout matériau inflammable, lorsque vous le rechargez.** La moquette et les autres surfaces isolantes thermiques bloquent la circulation de l'air, ce qui peut provoquer une surchauffe de l'adaptateur de courant et de l'outil. Si vous voyez de la fumée ou constatez la fusion de l'adaptateur de courant ou de l'outil, débranchez immédiatement le chargeur et n'utilisez pas l'outil ou le chargeur. Contactez immédiatement le service à la clientèle.

**Placez le câble USB de sorte qu'il ne soit pas piétiné, qu'il ne fasse pas trébucher des passants ou qu'il ne soit pas soumis par ailleurs à des dommages ou à des**

**contraintes.** Une fiche ou un câble endommagé pourrait causer un choc électrique ou un incendie.

**Débranchez l'outil de l'adaptateur de courant en tirant sur la fiche plutôt que sur le câble. N'utilisez pas l'adaptateur de courant si la fiche ou le câble USB est endommagé ; faites-le/la remplacer immédiatement.** Une fiche ou un câble endommagé pourrait causer un choc électrique ou un incendie.

**Ne démontez pas l'adaptateur de courant et ne l'utilisez pas s'il a reçu un coup violent, s'il est tombé ou s'il a été endommagé d'une quelconque autre manière.** Un remontage incorrect ou l'utilisation d'un produit endommagé pourrait causer un choc électrique ou un incendie.

**Inspectez le bloc d'alimentation, le câble USB et la fiche avant chaque emploi. N'utilisez pas l'adaptateur de courant si vous détectez un dommage. N'ouvrez jamais l'adaptateur de courant vous-même ; apportez-le dans un centre de service usine Dremel ou chez un réparateur qualifié n'utilisant que des pièces de rechange d'origine.** Un remontage incorrect pourrait causer un choc électrique ou un incendie.

**N'utilisez pas d'attachements qui ne sont pas recommandés ou vendus par Dremel.** L'utilisation d'attachements non recommandés pourrait causer un choc électrique ou un incendie.

**Débranchez l'outil de l'adaptateur de courant lorsque la pile dans l'outil est totalement chargé.** Un outil laissé branché dans un adaptateur de courant pendant une période prolongée pourrait causer un endommagement de l'outil et un incendie.

**Débranchez l'adaptateur de courant de la prise de courant avant de le ranger, de le nettoyer ou d'effectuer une quelconque opération de maintenance.** De telles mesures de sécurité préventives réduisent le risque de choc électrique ou d'incendie.

**Gardez le adaptateur de courant propre en essuyant le boîtier du adaptateur avec un tissu humide.** Tout contamination pourrait causer un choc électrique ou un incendie.

**Remplacez le bloc-piles si vous constatez une baisse substantielle de l'autonomie de fonctionnement après les recharges.** Cela signifie peut-être que le bloc-piles s'approche de la fin de sa vie utile.

## Consignes de sécurité pour la charge

### ► Entretien des piles

**⚠ AVERTISSEMENT** Lorsque les piles ne sont pas dans l'outil, maintenez-les à distance des objets en métal. Ainsi, pour éviter un court-circuitage des bornes, **NE PLACEZ PAS** les piles dans la boîte à outils ou dans la poche avec des clous, des vis, des clés, etc. Ceci peut provoquer un incendie ou des blessures.

**NE METTEZ PAS LES PILES AU FEU ET NE LES EXPOSEZ PAS À UNE CHALEUR ÉLEVÉE.** Elles peuvent exploser.

**Une fuite des piles peut se produire dans des conditions extrêmes d'utilisation ou de température. Évitez tout contact avec les yeux et la peau.** Le liquide des piles est caustique et pourrait causer des brûlures chimiques des tissus. Si du liquide entre en contact avec la peau, lavez immédiatement avec de l'eau et du savon. Si du liquide entre en contact avec les yeux, rincez-les avec de l'eau pendant au moins 10 minutes et consultez un médecin.

### ► Mise au rebut des piles

**⚠ AVERTISSEMENT** N'essayez pas de démonter l'outil ou de retirer tout composant faisant saillie sur l'outil. Avant la mise au rebut, protégez les bornes exposées à l'aide d'un ruban isolant épais pour prévenir le court-circuitage.

#### ▼ PILES LITHIUM-ION

Si le produit est équipé d'une pile lithium-ion, la pile doit être ramassée, recyclée ou

mise au rebut d'une manière qui ne soit pas nocive pour l'environnement.



“Le sceau RBRC de recyclage des piles, homologué par l'EPA (Agence pour la protection de l'environnement des États-Unis), qui se trouve sur les





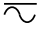


piles au lithium-ion (Li-ion) indique que Robert Bosch Tool Corporation participe volontairement à un programme industriel de ramassage et de recyclage de ces piles au terme de leur vie utile, pourvu qu'elles soient mises hors service aux États-Unis ou au Canada. Le programme du RBRC offre une alternative pratique à la mise des piles au Li-ion usées au rebut ou au ramassage d'ordures municipales, ce qui pourrait être interdit dans votre région.

Veillez appeler le 1-800-8-BATTERY pour obtenir de plus amples renseignements sur le recyclage des piles au Li-ion et sur les restrictions ou interdictions de mise au rebut qui s'appliquent à votre région ou renvoyez vos piles à un Centre de Service Bosch/Dremel pour recyclage. La participation de Robert Bosch Tool Corporation à ce programme s'insère dans le contexte de notre engagement à préserver notre environnement et à conserver nos ressources naturelles.”

**⚠ AVERTISSEMENT** N'ouvrez pas l'outil et ne tentez pas de retirer les piles de votre outil. Mettez l'outil au rebut conformément aux instructions de votre autorité locale chargée de superviser la gestion des déchets ou contactez un centre de service à la clientèle de Bosch/Dremel.

## Symboles






**Important :** Certains des symboles suivants peuvent être utilisés sur votre outil. Veuillez les étudier et apprendre leur signification. Une interprétation appropriée de ces symboles vous permettra d'utiliser l'outil de façon plus efficace et plus sûre.

Symbole	Désignation / Explication
V	Volts (voltage)
A	Ampères (courant)
Hz	Hertz (fréquence, cycles par seconde)
W	Watt (puissance)
kg	Kilogrammes (poids)
min	Minutes (temps)
s	Seconds (temps)
∅	Diamètre (taille des mèches de perceuse, meules, etc.)
$n_0$	Vitesse à vide (vitesse de rotation, à vide)
n	Vitesse nominale (vitesse maximum pouvant être atteinte)
.../min	Tours ou mouvement alternatif par minute (tours, coups, vitesse en surface, orbites, etc., par minute)
0	Position d'arrêt (vitesse zéro, couple zéro ...)
1, 2, 3, ... I, II, III,	Réglages du sélecteur (Réglages de vitesse, de couple ou de position. Un nombre plus élevé signifie une vitesse plus grande)
	Sélecteur variable à l'infini avec arrêt (La vitesse augmente depuis le réglage 0)
	Flèche (action dans la direction de la flèche)
	Courant alternatif (type ou caractéristique du courant)
	Courant continu (type ou caractéristique du courant)
	Courant alternatif ou continu (type ou caractéristique du courant)
	Construction classe II (désigne des outils construits avec double isolation)
	Borne de terre (borne de mise à la terre)



## Symboles

**Important :** Certains des symboles suivants peuvent être utilisés sur votre outil. Veuillez les étudier et apprendre leur signification. Une interprétation appropriée de ces symboles vous permettra d'utiliser l'outil de façon plus efficace et plus sûre.

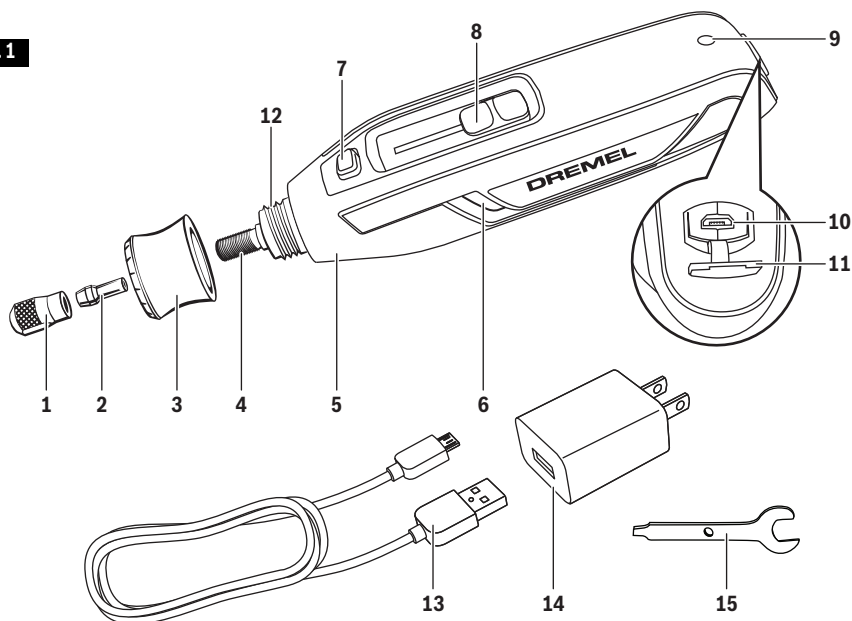
Symbole	Désignation / Explication
	Alerte l'utilisateur pour lire le mode d'emploi
	Alerte l'utilisateur pour porter des lunettes de sécurité
	Ce symbole signifie que cet outil est approuvé par Underwriters Laboratories.
	Ce symbole indique que ce composant est reconnu par Underwriters Laboratories.
	Ce symbole signifie que cet outil est approuvé par Underwriters Laboratories selon les normes des États-Unis et du Canada.
	Ce symbole signifie que cet outil est approuvé par l'Association canadienne de normalisation.
	Ce symbole signifie que cet outil est approuvé par l'Association canadienne de normalisation selon les normes des États-Unis et du Canada.
	Ce symbole signifie que cet outil est approuvé par Intertek Testing Services selon les normes des États-Unis et du Canada
	Ce symbole signifie que cet outil se conforme aux normes mexicaines NOM.
	Ce symbole indique que ce produit a été vérifié par Underwriters Laboratories et qu'il est conforme aux normes d'efficacité énergétique de Ressources naturelles Canada.
	Désigne le programme de recyclage des piles Li-ion.

## Description fonctionnelle et spécifications

**AVERTISSEMENT** Les outils à piles sont toujours en état de marche. Soyez conscient des dangers éventuels.  
**CONSERVEZ CES INSTRUCTIONS**

### Outil rotatif sans fil PawControl 7760-PGK

Fig. 1



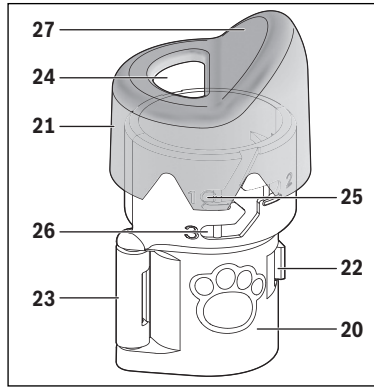
- |  |  |
|--|--|
| <p><b>1</b> Écrou de douille<br/> <b>2</b> Douille<br/> <b>3</b> Capuchon avant à clé intégrée EZ TWIST™<br/> <b>4</b> L'arbre de l'outil<br/> <b>5</b> Surface de préhension isolée<br/> <b>6</b> Ouvertures de ventilation<br/> <b>7</b> Bouton de blocage de l'arbre<br/> <b>8</b> Interrupteur marche/arrêt et cadran de réglage de la vitesse<br/> <b>9</b> Témoin d'état de charge des piles<br/> <b>10</b> Port du micro USB<br/> <b>11</b> Cache du port du micro USB<br/> <b>12</b> Bec fileté<br/> <b>13</b> Câble USB<br/> <b>14</b> Adaptateur de courant*<br/> <b>15</b> Clé à douille*</p> | <p>Numéro de modèle . . . . .7760-PGK<br/>           Tension nominale . . . . .3,6V / 4V Max<br/>           Vitesse nominale (n) . . . . .8 000–25 000/min<br/>           Capacités de la douille . . .0,8, 1,6, 2,4, 3,2 mm<br/>           Température ambiante autorisée<br/>           - pendant la charge . . . . .32...122 °F (0...+50 °C)<br/>           - pendant le fonctionnement /<br/>           le stockage . . . . .-4...140 °F (-20...+60 °C)</p> <p><b>Adaptateur de courant</b><br/>           Numéro de modèle . . . . .510<br/>           Tension nominale . . . . .120V ~ 60 Hz<br/>           Intensité nominale . . . . .1A</p> <p><b>Pile</b><br/>           Propriétés chimiques . . . . .Li-ion<br/>           Capacité . . . . .2,0Ah<br/>           Temps de charge . . . . .2 h 45 min.</p> |
|--|--|

\* N'est pas inclus dans tous les kits

## Description fonctionnelle et spécifications

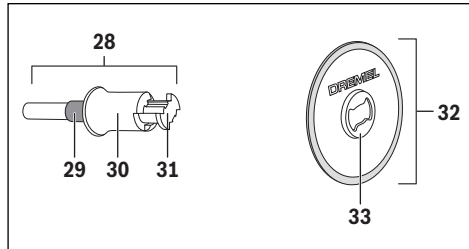
### ► Accessoire de soins pour les animaux de compagnie AT01-PGA

- 20** Boîtier de l'accessoire
- 21** Capuchon transparent
- 22** Fermeur
- 23** Charnière
- 24** Ouverture du disque de ponçage
- 25** Languette (faisant partie du capuchon transparent)
- 26** Guide de profondeur
- 27** Rampe



### ► Mandrin EZ Lock™ EZ402 et Disque de ponçage SD60-PGA

- 28** Mandrin EZ Lock™ EZ402
- 29** Entretoise bleue
- 30** Manchon à ressort
- 31** Interface à nœud papillon
- 32** Disque de ponçage SD60-PGA
- 33** Interface à nœud papillon



## Charge de l'outil

Votre Dremel PawControl 7760-PGK n'est pas livré complètement chargé à l'usine. N'oubliez pas de charger l'outil avant sa première utilisation.

- Insérez le câble USB **13** dans le port USB de l'adaptateur de courant **14** (Fig. 1). S'il n'y a pas d'adaptateur de courant inclus, chargez l'outil en utilisant un adaptateur de courant USB de 5 V/1 A minimum.
- Branchez l'adaptateur de courant **14** dans une prise de courant standard.
- Ouvrez le cache du port du micro USB **11** et branchez la fiche du micro USB dans le port du Micro USB **10**.

L'indicateur d'état de charge de la pile **9** indique le progrès réalisé dans le processus de charge. Pendant le processus de charge, le voyant s'illumine en vert. La pile est complètement chargée lorsque le voyant s'éteint. Le temps nécessaire pour charger est d'environ 2 heures et 45 minutes.

Il est normal que le manche de l'outil devienne chaud pendant la charge.

**Remarque :** L'outil ne peut pas être utilisé pendant le processus de charge. Lorsque la pile est complètement chargée, déconnectez l'extrémité micro USB du câble **13** de l'outil et fermez le cache **11**.

Débranchez l'adaptateur de courant de la prise de courant (sauf si vous chargez également un autre outil).

**Remarque :** la fonction de charge se désactive lorsque l'outil est en service, et elle se réactive lorsque l'outil est éteint.

### ► Témoign d'état de charge des piles

Cet outil est muni d'un voyant, un indicateur de charge **9** qui vous fait savoir combien il reste de charge dans votre pile. La pile est presque complètement déchargée quand le voyant est allumé en rouge. Remarque : Le voyant allumé en rouge peut également indiquer que l'outil cale. Référez-vous à la rubrique « Surveillance électronique » à la page 60.

L'outil s'éteint automatiquement lorsque la pile est complètement

déchargée. L'outil s'arrêtera soudainement – il ne ralentira pas progressivement. Rechargez alors simplement l'outil.

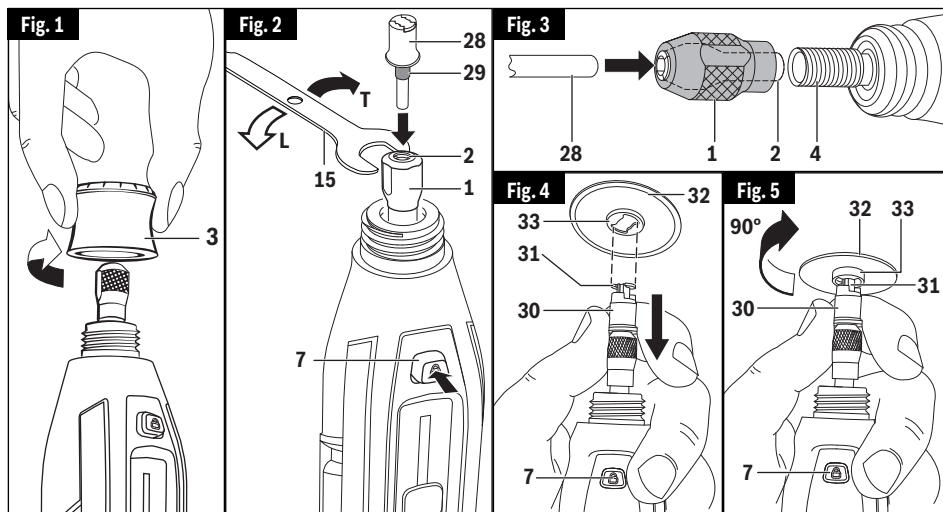
### ► Remarques importantes concernant la charge

- Le bloc-piles au lithium-ion restera chargé pendant une durée pouvant atteindre deux ans s'il n'est pas utilisé. Il sera donc toujours prêt à l'emploi quand vous en aurez besoin.
- L'adaptateur de courant a été conçu pour charger rapidement la pile uniquement lorsque la température de la pile se situe entre 0° C / 32° F et 50° C / 122° F.
- Une diminution marquée de la réserve énergétique entre les charges peut signaler l'épuisement du bloc-piles et le besoin d'un remplacement. Si vous avez besoin de faire réparer votre outil, veuillez contacter Dremel au 1-800-437-3635.
- Si le bloc-piles ne se charge pas normalement :
  - a.** Vérifiez la présence de courant à la prise en y branchant un autre appareil électrique.
  - b.** Vérifiez si la prise n'est pas raccordée conjointement à un interrupteur qui servirait à éteindre les lumières.
  - c.** Inspectez les bornes USB pour vous assurer qu'elles ne sont pas sales. Nettoyez avec un coton-tige et de l'alcool si nécessaire.
  - d.** Vérifiez pour vous assurer que le câble USB est correctement connecté à l'outil et à l'adaptateur de courant.
  - e.** Si vous ne parvenez toujours pas à charger correctement l'outil, renvoyez l'outil et l'adaptateur de courant à votre centre de service après-vente Dremel.

**Remarque :** L'utilisation d'adaptateurs de courant ou de blocs-piles qui ne sont pas vendus par Dremel pourrait annuler la garantie.

## Instructions d'assemblage pour les soins des ongles des animaux de compagnie

**⚠ WARNING** Always be sure the tool is turned "OFF" before changing accessories, changing collets or servicing your cordless rotary tool.



### ► Pour charger le mandrin :

- Dévissez le bec de fixation **3** et détachez-le de l'outil en le faisant tourner dans le sens contraire des aiguilles d'une montre jusqu'à ce qu'il se sépare de l'outil (Fig. 1).
- Pour desserrer l'écrou de fixation de la douille, commencez par appuyer sur le bouton de verrouillage de l'arbre **7**, puis faites tourner l'écrou de fixation de la douille **1** à la main jusqu'à ce que le verrou s'engage dans l'arbre, ce qui empêchera toute continuation de la rotation (Fig. 2).

**⚠ MISE EN GARDE** N'engagez pas le verrou de l'arbre alors que l'outil est en train de tourner.

- Pendant que le verrou de l'arbre **7** est engagé, desserrez l'écrou de fixation de la douille **1** (tournez dans le sens contraire des aiguilles d'une montre **L**). Utilisez la clé **15** si nécessaire. L'écrou de fixation de la douille doit être légèrement engagé lors de l'insertion d'un accessoire (Fig. 2).
- Insérez le mandrin EZ Lock™ **28** dans la douille **2** (Fig. 2).

**⚠ MISE EN GARDE** Assurez-vous que l'entre-

toise bleue **5** qui repose sur le mandrin ne descend pas plus bas que l'écrou de fixation de la douille, car ceci réglera le mandrin à la profondeur appropriée. Si vous ne réglez pas le mandrin à la profondeur appropriée, cela risquerait d'endommager l'accessoire.

- Une fois le verrou de l'arbre **7** engagé, serrez à fond l'écrou de fixation de la douille **1** (en le tournant dans le sens des aiguilles d'une montre **T**) au moyen de la clé **15** (Fig. 2).

**Remarque :** Si le mandrin EZ Lock™ ne tient pas dans la douille, il est possible que la douille soit coincée à l'intérieur de l'écrou de fixation de la douille. Si tel est le cas, retirez l'écrou de fixation de la douille de l'outil en continuant à le faire tourner dans le sens contraire des aiguilles d'une montre. Si la douille ne se sépare pas de l'écrou de fixation de la douille quand elle est retirée de l'outil, poussez la tige du mandrin EZ Lock™ **28** dans le trou de l'écrou de fixation de la douille **1**. Ceci devrait causer l'éjection de la douille **2** de l'écrou de fixation **1**. Effectuez le réassemblage en plaçant la douille **2** sur l'arbre de sortie **4** et en faisant tourner l'écrou de fixation de la douille **1** dans le sens des aiguilles d'une montre au-

## Instructions d'assemblage pour les soins des ongles des animaux de compagnie

dessus de la douille afin de le serrer à nouveau sur l'arbre de sortie **4** (Fig. 3).

### ► Pour charger un disque de ponçage :

- Tirez le manchon à ressort **30** VERS LE BAS, en direction de l'outil, d'une main et tenez-le dans cette position. Vous pouvez caler l'outil sur le corps ou sur la table de travail pour augmenter la force disponible (Fig. 4).
- De l'autre main, alignez l'interface à nœud papillon sur le mandrin de façon que l'interface à nœud papillon en métal **33** soit au fond du disque de ponçage **32** (Fig. 4).
- Placez le disque de ponçage sur le mandrin jusqu'à un point situé juste en dessous du nœud papillon sur le mandrin **31** et tournez sur 90 degrés jusqu'à ce que l'interface à nœud papillon **33** sur le disque de ponçage **32** soit aligné sur le manchon **30**. Relâchez le manchon **30**. Le disque de ponçage **32** devrait alors se verrouiller en place (Fig. 4).

**⚠ AVERTISSEMENT** Un placement incorrect du disque de ponçage dans le mandrin pourrait causer des blessures corporelles ou des dommages aux biens. Pour vous assurer qu'il repose bien à l'endroit correct, tenez le bouton de verrouillage de l'arbre **7** et faites tourner le disque de ponçage **32**. Le disque de ponçage **32** ne pourra alors pas tourner sur le mandrin.

### ► Pour détacher un disque de ponçage :

- Tirez le manchon à ressort **30** VERS LE BAS, en direction de l'outil, d'une main (Fig. 5).
- Tenez le manchon **30** enfoncé tout en faisant tourner le disque de ponçage **32** sur 90 degrés (Fig. 5).
- Détachez le disque de ponçage **32** (Fig. 5).

### ► Pour attacher le dispositif de protection des ongles :

Fig. 6

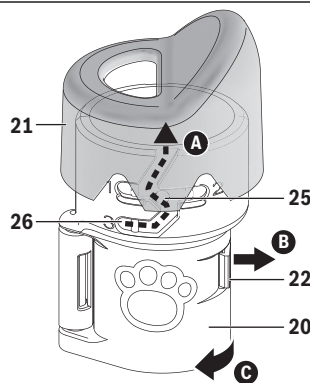
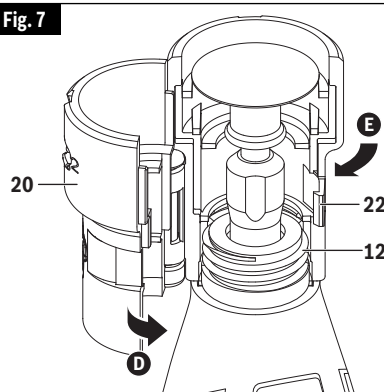


Fig. 7



**Remarque :** Assurez-vous que le mandrin et le disque de ponçage sont assemblés correctement avant de monter l'accessoire.

- Détachez le capuchon transparent **21** de l'accessoire en poussant les petits boutons **25** à l'intérieur du capuchon transparent vers le haut, le long du guide de réglage de la hauteur **26**, jusqu'à ce qu'ils atteignent l'ouverture guidée (Fig. 6).
- Déverrouillez le fermetoir **22**.
- Ouvrez l'accessoire **20** (Fig. 6).
- Positionnez l'accessoire **20** autour du bec fileté de l'outil **12** et fermez l'accessoire jusqu'à ce que le fermetoir **22** soit totalement engagé (Fig. 7).
- Faites tourner tout l'accessoire **20** dans le sens des aiguilles d'une montre pour le visser en place sur le bec fileté **12**. Assurez-vous qu'il est

## Instructions d'assemblage pour les soins des ongles des animaux de compagnie

bien sécurisé de telle façon qu'il ne change pas de position pendant son utilisation (Fig. 7).

- F. Rattachez le capuchon transparent **21** (répétez simplement la procédure de l'étape **A** dans l'ordre inverse).
- G. Faites tourner le capuchon transparent de telle manière que les petits boutons soient tournés complètement vers l'extrémité de la fente **26** (à côté du numéro « 3 ») sur l'accessoire. Vous entendrez un

déclit indiquant que le capuchon a été installé dans la position appropriée. Ne forcez pas le capuchon transparent dans une position à l'extérieur des guides (Fig. 6).

**Remarque :** Référez-vous au mode d'emploi de l'appareil AT01-PGA sur le site Web de Dremel pour plus de renseignements sur la compatibilité des attachements.

## Instructions pour les soins des ongles

**AVERTISSEMENT** **Observez** vous les avertissements et toutes les consignes de sécurité lors de l'utilisation de l'outil rotatif. Le non-respect des procédures recommandées pourrait causer des blessures ou des dommages matériels.

### ► Pourquoi utiliser un outil rotatif Dremel pour les soins des ongles des animaux de compagnie ?

Les ciseaux et les tondeuses de type guillotine font pression et pincement l'ongle, ce qui peut être inconfortable pour les doigts et les pattes des animaux de compagnie. Le cisaillement des ongles des pattes augmente également le risque de coupure de l'alimentation interne en sang de l'ongle, dans ce que l'on appelle la partie rose ; le ponçage est plus progressif et contrôlé. En cas de coupure accidentelle de la partie rose par un outil rotatif, la plaie est habituellement plus petite et se cicatrisera plus vite qu'en cas de coupure causée par un coupe-ongles.

### ► Avant de commencer

ois peuvent être une expérience inquiétante pour l'animal aussi bien que pour son maître. Mais ne vous inquiétez pas. Les soins des ongles des animaux ne doivent pas obligatoirement être une

expérience stressante. Votre animal de compagnie s'habitue à cette expérience si vous commencez à l'y exposer à un très jeune âge et si vous l'incorporez à son dressage.

En premier lieu, apprenez à votre animal de compagnie à ne plus avoir peur quand vous touchez et manipulez les extrémités de ses pattes avant de l'exposer à l'outil rotatif. Une façon de faire ceci consiste à masser ses jambes, ses pattes et ses doigts pendant quelques minutes au moins une fois par jour. Ensuite, créez une association positive avec cette expérience. Pour cela, récompensez votre animal en lui donnant un peu de sa nourriture préférée.

Puis aidez-le à s'habituer progressivement à l'outil rotatif. Laissez votre animal de compagnie renifler l'outil quand il est hors tension. Ensuite, tout en continuant à tenir l'outil dans votre main, laissez votre animal de compagnie écouter le bruit que fait l'outil quand il est mis en marche. Dans l'idéal, faites asseoir votre animal ou couchez-le sur son flanc pendant que l'outil est dans votre main en train de fonctionner. Avancez progressivement votre animal de compagnie jusqu'à ce que ses ongles touchent le disque de ponçage en rotation pendant moins d'une seconde. Ne travaillez pas encore sur les ongles ; laissez simplement votre animal de compagnie se familiariser avec l'outil. Tout au long de ce processus d'acclimatation, continuez à féliciter votre animal et à récompenser

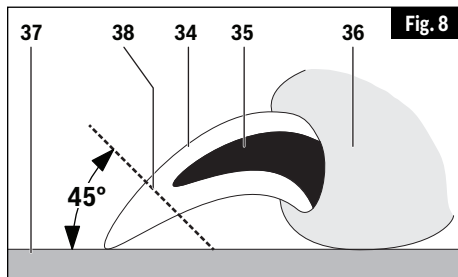
## Instructions pour les soins des ongles

son bon comportement en lui donnant un peu de sa nourriture préférée. Ce processus peut prendre plusieurs jours – ou même semaines. Il ne faudra pas beaucoup de temps pour que votre animal de compagnie et vous-même puissiez vous détendre et même apprécier le temps que vous passez ensemble pour le toilettage.

### ► Anatomie des ongles

La partie rose des ongles/griffes contenant des vaisseaux qui est décrite dans cette section existe chez différents types d'animaux de compagnie, y compris les chiens et les chats.

Avant de commencer à couper les ongles de votre animal de compagnie, vous devez identifier la partie rose. Le schéma (Fig. 8) montre l'anatomie basique de l'ongle d'un animal de compagnie. La partie extérieure de l'ongle est dure et n'est pas sensible parce qu'elle n'a pas de terminaison nerveuse. La partie intérieure de l'ongle est la partie rose. Elle comprend de minuscules vaisseaux sanguins et des terminaisons nerveuses, et elle est très sensible. La partie rose est en fait une veine qui « alimente » l'ongle en sang. Si vous coupez accidentellement la partie rose pendant que vous êtes en train de couper un ongle, cet ongle commencera à saigner.



- |                            |                  |
|----------------------------|------------------|
| 34 Ongle / griffe          | 3 Patte          |
| 35 Veine de la partie rose | 4 Sol            |
|                            | 5 Ligne de coupe |

Les ongles de couleur claire sont souvent assez transparents pour vous permettre de voir la partie intérieure rose. Les ongles de couleur foncée ne vous permettront peut-être pas de voir où se trouve la partie rose. Les animaux de compagnie peuvent avoir à la fois des

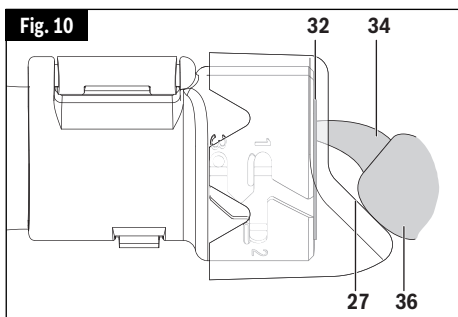
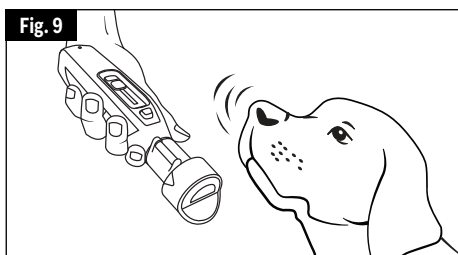
ongles de couleur claire et de couleur foncée vous permettant d'estimer la longueur de la veine de la partie rose.

Le schéma montre une estimation de l'angle correct pour couper les ongles d'un animal de compagnie. Une règle de base pour l'angle approprié est de 45 degrés vers le haut à partir du bas de la patte. L'angle approprié peut varier en fonction des souhaits du propriétaire de l'animal ou de l'anatomie unique de l'animal. Coupez les ongles afin qu'ils touchent presque le sol lorsque votre animal de compagnie est en train de marcher.

### ► Soins des ongles – Processus

**⚠ MISE EN GARDE** N'utilisez que la méthode « **préhension de golf** » ou « **préhension manuelle** » pour tenir l'outil. **Ne tenez jamais l'outil par son élément de fixation.** Si vous tenez l'outil par son élément de fixation, l'outil risquerait de se déplacer soudainement et de causer une perte de contrôle (Fig. 9).

Placez la patte de l'animal **36** sur la rampe **27** de telle manière que l'ongle **34** soit près du disque de ponçage **32** – mais sans le toucher (Fig. 10).





## Instructions pour les soins des ongles

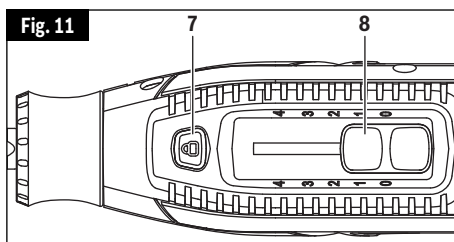
L'outil est contrôlé par l'interrupteur de marche/arrêt avec réglage de la vitesse **8** qui est situé sur le dessus de la partie encastrée du logement (Fig. 11).

POUR METTRE L'OUTIL EN SERVICE (« ON »), faites glisser délicatement l'interrupteur **8** vers le haut avec votre pouce. L'outil commencera à fonctionner à une vitesse de 8 000 tr/min. (Position « 1 »)

**⚠ AVERTISSEMENT** La vitesse maximale recommandée pour la plupart des applications de toilettage d'animaux de compagnie est de 10 000/min. Le réglage de vitesse recommandé est « 1 ». L'épaisseur des clous et d'autres facteurs peuvent nécessiter l'utilisation de vitesses plus élevées. Soyez extrêmement prudent lorsque vous travaillez à des vitesses plus élevées et limitez la durée pendant laquelle le clou est exposé à la surface de ponçage. L'utilisation de vitesses de fonctionnement plus élevées pourrait causer une accumulation de chaleur et blesser l'animal de compagnie. Surveillez toujours l'animal de compagnie pour déceler tout signe d'inconfort et cessez de le toiletter si vous observez de tels signes.

Tenez le doigt et l'ongle d'une main tout en utilisant l'outil rotatif de l'autre. Ceci est plus confortable pour votre animal de compagnie étant que cela réduit les vibrations sur la patte. Si vous appuyez doucement sur le bas de la patte, cela allonge légèrement l'ongle et facilite ainsi l'administration des soins.

Il est important de laisser la vitesse de l'outil rotatif faire le travail ; ne faites jamais pression sur l'ongle avec le disque de ponçage en rotation. Une telle pression pourrait chauffer excessivement l'ongle, causant ainsi de l'inconfort pour votre animal de compagnie. Le disque de ponçage en rotation de l'outil rotatif ne doit pas être gardé en contact avec l'ongle plus de trois secondes à la fois. Au lieu de faire tout le travail sur un ongle à la fois, il est recommandé de travailler brièvement en succession sur chaque ongle d'une patte, puis ceux des autres pattes, en plusieurs passes. Ceci donne le temps aux ongles de refroidir. Vous pouvez recommencer ce processus autant de fois que nécessaire. Coupez les ongles afin qu'ils touchent presque le sol lorsque votre animal de compagnie est en train de



marcher.

Mettez l'outil hors tension en faisant glisser l'interrupteur de l'outil **8** sur la position « 0 » (Fig. 11).

### ► Conseils de sécurité pour les animaux de compagnie

Certains animaux de compagnie peuvent devenir nerveux en présence de l'outil ; il est donc préférable de sécuriser votre animal de compagnie. L'opérateur aura besoin des deux mains pour toiletter les ongles ; il pourrait donc être utile de demander à une autre personne de vous aider à contrôler votre animal de compagnie.

Si des poils sont accidentellement attrapés dans l'outil rotatif, éteignez immédiatement l'outil et dégagez les poils de l'outil. Pour les animaux de compagnie ayant des poils particulièrement longs, utilisez une vieille chaussette pour couvrir le doigt, le pied et la jambe de l'animal, et pour isoler l'ongle. Poussez l'ongle à travers une petite ouverture dans la pointe de la chaussette afin de travailler sur l'ongle. Gardez de la poudre styptique à portée de la main en cas de saignement. Vous trouverez de la poudre styptique dans la plupart des magasins de fournitures pour animaux de compagnie. Consultez les instructions figurant sur l'emballage pour trouver les instructions d'utilisation appropriées.

### ► Nettoyage de l'accessoire pour les soins aux animaux de compagnie

Retirez l'accessoire pour les soins aux animaux de compagnie de l'outil rotatif suivant les besoins pour nettoyer toute poussière ou débris d'ongle. Lavez uniquement l'accessoire avec de l'eau chaude et faites-le sécher complètement avec un tissu propre avant de le réinstaller sur l'outil rotatif.

## Instructions d'assemblage pour les applications autres que les soins aux ongles des animaux de compagnie

**AVERTISSEMENT** Assurez-vous toujours que l'outil est à la position "arrêt" avant de changer les accessoires ou les douilles, ou de faire l'entretien de votre outil rotatif sans cordon.

L'outil PawControl 7760-PGK peut également être utilisé avec divers accessoires Dremel qui transformeront cet outil en outil à sculpter, meuleuse, polisseuse, ponceuse, couteau, brosse électrique, perceuse et bien d'autres.

Commencez par suivre les étapes d'assemblage des pages 52 – 54 en sens inverse pour retirer l'accessoire de soins aux animaux de compagnie et le mandrin EZ Lock™, puis réinstallez le bec de fixation.

### ► Douilles

Les accessoires Dremel tels que les mèches d'outil à sculpter, les meules à rectifier et les mandrins sont montés sur l'outil en utilisant un système d'écrous de fixation et de douilles.

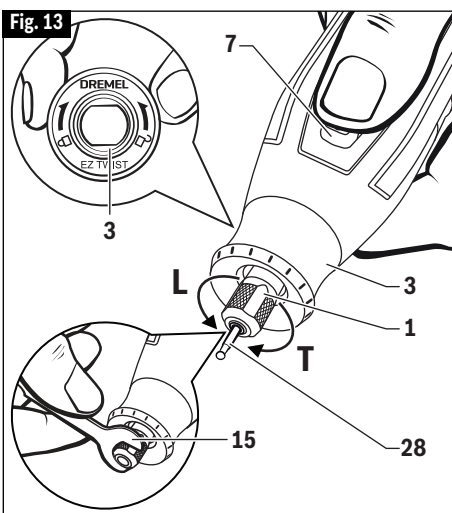
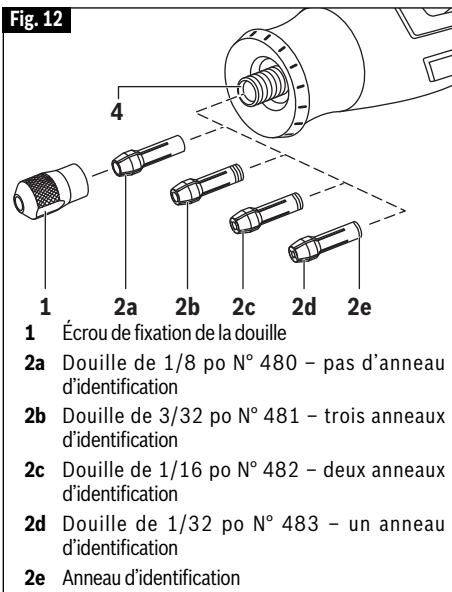
PawControl 7760-PGK est fourni avec la douille de 1/8 po N° 480. Il existe également trois autres douilles pour assujettir des accessoires de plus petit diamètre. Des anneaux d'identification (ID) vous aident à choisir la douille appropriée pour vos mèches (Fig. 12).

Pour desserrer l'écrou de fixation de la douille **1**, commencez par appuyer sur le bouton de verrouillage de l'arbre **7**, puis faites tourner l'écrou de fixation de la douille dans le sens contraire des aiguilles d'une montre (**L**) à la main jusqu'à ce que le verrou s'engage dans l'arbre, ce qui empêchera toute continuation de la rotation (Fig. 13).

**MISE EN GARDE** N'appuyez pas sur le bouton de blocage de l'arbre pendant que l'outil rotatif est en marche.

Une fois le loquet de verrouillage de l'arbre **7** enclenché, utilisez la clé intégrée EZ TWIST™ / pointe avant **3** (ou la clé à douille **15**) pour desserrer l'écrou de fixation de la douille **1** (en tournant dans le sens contraire des aiguilles d'une montre, **L**) (Fig. 13).

Changez les accessoires en insérant le nouvel accessoire le plus loin possible dans la douille de serrage, réduisant ainsi les risques d'éjection ou de déséquilibre. Une fois le loquet de



verrouillage de l'arbre **7** enclenché, serrez à fond l'écrou de fixation de la douille **1** avec la clé intégrée EZ TWIST™ / pointe avant **3** (en tournant dans le sens des aiguilles d'une montre, **T**) (Fig. 13). Évitez de serrer l'écrou de douille trop fort quand il n'y a pas d'embout.

## Instructions d'assemblage pour les applications autres que les soins aux ongles des animaux de compagnie

**⚠ MISE EN GARDE** Utilisez toujours la douille de même grosseur que la tige de l'accessoire que vous désirez utiliser. Ne forcez jamais une tige trop grosse pour la douille.

Pour installer un morse douille différente, dévissez complètement l'écrou de fixation de la douille 1 et retirez la douille existante 2. Insérez l'extrémité sans fente de la douille dans le trou se trouvant à l'extrémité de l'arbre de l'outil 4. Remettez l'écrou de fixation de la douille à sa place sur l'arbre (Fig. 12).

**Remarque :** La plupart des kits d'outils rotatifs n'incluent pas tous les quatre formats de douilles.

### ▼ DÉGAGEMENT DE DOUILLES COINCÉES

Il est possible qu'une douille se coince dans l'écrou, tout particulièrement si un écrou est serré sur l'outil sans que le foret ne soit en place. Si tel est le cas, retirez l'écrou de fixation de la douille de l'outil en continuant à le faire tourner dans le sens contraire des aiguilles d'une montre. Si la douille ne se sépare pas de l'écrou de fixation de la douille quand elle est retirée de l'outil, poussez la tige du mandrin EZ Lock™ 28 dans le trou de l'écrou de fixation de la douille 1. Ceci devrait causer l'éjection de la douille 2 de l'écrou de fixation

1. Effectuez le réassemblage en plaçant la douille 2 sur l'arbre de sortie 4 et en faisant tourner l'écrou de fixation de la douille 1 dans le sens des aiguilles d'une montre au-dessus de la douille afin de le serrer à nouveau sur l'arbre de sortie 4 (Fig. 3).

### ► Équilibrage des accessoires

Pour le travail de précision, il est important que tous les accessoires soient bien équilibrés (tout comme les pneus de votre voiture). Pour rectifier ou équilibrer un accessoire, desserrez légèrement l'écrou de la douille, et tournez l'accessoire ou la douille d'un quart de tour. Resserrez l'écrou de la douille et mettez l'outil rotatif en marche. Le son qui se fait entendre et le maniement de l'outil devraient vous indiquer si l'accessoire est bien équilibré. Continuez l'ajustement de cette façon jusqu'à ce que vous obteniez le meilleur équilibre. Pour maintenir l'équilibre des pointes de meule abrasive, avant chaque usage, alors que la pointe de meule est retenue fermement dans la douille, mettez l'outil rotatif en marche et tenez la pierre à rectifier 415 légèrement appuyée sur la pointe de la meule en rotation. Ceci a pour effet d'éliminer les points élevés tout en rectifiant la pointe de meule pour un meilleur équilibre.

## Instructions d'utilisation pour les applications autres que les soins aux ongles des animaux de compagnie

**⚠ AVERTISSEMENT** Observez tous les avertissements et toutes les consignes de sécurité lors de l'utilisation de l'outil rotatif. Le non-respect des procédures recommandées pourrait causer des blessures ou des dommages matériels.

### ► Introduction

L'outil rotatif sans cordon est un outil polyvalent à grande vitesse. Il peut servir à découper, aiguïser, polir, poncer, couper, brosser, percer et davantage.

Votre outil rotatif sans cordon possède

un petit moteur électrique puissant, il se manie confortablement, et il a été conçu de manière à recevoir un vaste éventail d'accessoires, y compris roues abrasives, forets, brosses métalliques, polissoirs, fraises à graver, et disques de découpage. Les accessoires sont offerts en différentes formes et ils vous permettent d'exécuter différentes tâches. À mesure que vous vous familiariserez avec l'éventail d'accessoires et leurs usages, vous constaterez la grande souplesse d'emploi de l'outil rotatif sans cordon et découvrirez de nombreux usages auxquels vous n'aviez pas pensé auparavant.

## Instructions d'utilisation pour les applications autres que les soins aux ongles des animaux de compagnie

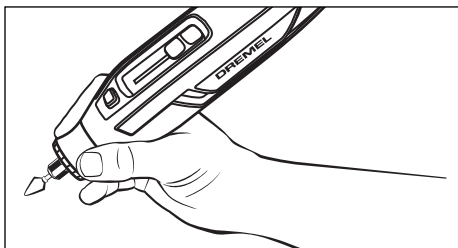
Le véritable secret de l'outil rotatif sans cordon tient à sa vitesse. Pour comprendre les avantages de sa grande vitesse, il vous faut savoir que la perceuse électrique portable standard fonctionne à des vitesses allant jusqu'à 2800 tours/minute. La perceuse électrique standard est un outil à basse vitesse mais à couple élevé ; l'outil rotatif sans cordon est précisément l'inverse, un outil à grande vitesse mais à couple réduit. La différence principale du point de vue de l'utilisateur est que, sur les outils à grande vitesse, la vitesse alliée au fait que l'accessoire est monté dans la douille de serrage fait le travail. Il ne vous est nullement nécessaire d'exercer une pression sur l'outil ; il vous suffit de tenir et de guider l'outil. Dans le cas des outils à basse vitesse, non seulement devez-vous guider l'outil, vous devez également exercer une pression sur celui-ci comme vous le faites, par exemple, en perçant un trou.

C'est cette grande vitesse, alliée à son format compact ainsi qu'au vaste éventail d'accessoires spéciaux, qui distingue l'outil rotatif sans cordon des autres outils à moteur. Sa vitesse lui permet d'exécuter des tâches, telles que la gravure du verre, etc., que des outils à basse vitesse ne peuvent accomplir.

Pour tirer le maximum de votre outil rotatif sans cordon il vous faut apprendre comment mettre cette vitesse à votre service.

### ► Utilisation de l'outil rotatif sans cordon

Apprendre à utiliser l'outil rotatif sans



Pour obtenir un meilleur contrôle dans le travail de précision, tenez le Outil Rotatif comme un crayon, entre le pouce et l'index.

cordon, c'est d'abord en connaître le maniement. Tenez-le dans votre main pour en sentir le poids et l'équilibre. Habituez-vous à la forme conique de son boîtier qui permet d'empoigner l'outil rotatif sans cordon comme s'il s'agissait d'un stylo ou d'un crayon.



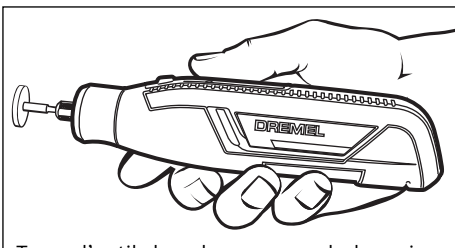
Lorsque vous mettez l'outil en marche pour la première fois, tenez-le éloigné de votre visage.

Certains accessoires peuvent avoir été endommagés durant la manutention et peuvent alors se séparer en morceaux lorsqu'ils atteignent une certaine vitesse. Ceci ne survient pas fréquemment, mais il vaut mieux prévenir.

Pratiquez d'abord sur des matériaux de rebut pour voir comment coupe l'outil rotatif sans cordon. N'oubliez pas que le travail est accompli par la vitesse de l'outil et par l'accessoire monté dans la douille de serrage. Vous ne devez pas vous appuyer sur l'outil ni pousser celui-ci dans le matériau.

Abaissez plutôt l'accessoire en rotation, légèrement vers la pièce, en le laissant toucher l'endroit où vous voulez commencer la coupe (ou le ponçage ou la gravure, etc.). Ayez vos efforts sur le guidage de l'outil sur la pièce, en n'exerçant qu'une très faible pression de votre main. Laissez l'accessoire faire le travail.

Il est habituellement préférable de passer l'outil plusieurs fois plutôt que de tenter de faire tout le travail d'une seule fois. Ainsi, pour pratiquer une



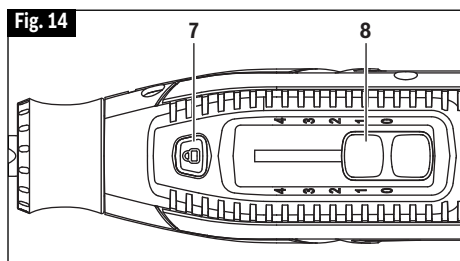
Tenez l'outil dans la « paume de la main » pour le meulage de surfaces planes ou lors de l'utilisation de disques de découpage.

## Instructions d'utilisation pour les applications autres que les soins aux ongles des animaux de compagnie

coupe, passez l'outil allant-venant sur la pièce, tout comme vous le feriez avec un petit pinceau. Coupez un peu de matériau à chaque passage jusqu'à ce que vous atteigniez la profondeur désirée. L'approche douce et adroite est celle qui convient le mieux à la plupart des tâches. Vous exercez ainsi un meilleur contrôle, êtes moins susceptible de commettre des erreurs, et obtenez le meilleur rendement de l'accessoire.

### ► Interrupteur de marche/arrêt avec réglage de la vitesse

L'outil est contrôlé par l'interrupteur de marche/arrêt avec réglage de la vitesse **8** qui est situé sur le dessus de la partie encastrée du logement (Fig. 14).



POUR METTRE L'OUTIL EN SERVICE, faites glisser délicatement l'interrupteur **8** vers le haut avec votre pouce. L'outil commencera à fonctionner à une vitesse de 8 000 tr/min.

La vitesse peut être réglée en cours de fonctionnement en continuant à faire glisser doucement l'interrupteur **8** vers le haut avec le pouce.

### ► Réglages pour les nombres approximatifs de révolutions suivants :

Réglage de l'interrupteur	Plage de vitesses
1	8,000 tr/min
*2	14,000 tr/min
3	21,000 tr/min
4	25,000 tr/min
*2 est le réglage correspondant à la vitesse maximale pour les brosses métalliques.	

Vous pouvez vous référer aux tableaux des pages 71-74 pour déterminer la vitesse appropriée en fonction du matériau sur lequel vous travaillez et du type d'accessoire utilisé. Ces tableaux vous permettent de sélectionner à la fois l'accessoire correct et la vitesse optimale d'un simple coup d'œil.

### ► Surveillance électronique

Votre outil est muni d'un système de surveillance électronique interne qui aide à maximiser la performance du moteur et des piles en limitant l'alimentation de l'outil en courant en cas de survenance de conditions de surcharge ou si l'outil cale. Si l'outil cale pendant une période prolongée, ou si l'embout se coince dans un ouvrage, en particulier à une vitesse élevée, l'outil se mettra automatiquement hors tension grâce au mécanisme de mise sous tension automatique intégré. Dans un tel cas, faites simplement sortir l'outil du matériau dans lequel il a calé, remettez-le sous tension, ajustez sa vitesse si nécessaire et recommencez à l'utiliser. Lorsque les piles sont presque déchargées, l'outil peut se mettre automatiquement hors tension plus souvent que normalement. Si cela se produit, cela signifie qu'il est temps de recharger votre outil.

### ► Nécessité de vitesses plus lentes

Cependant, certains matériaux (comme des plastiques) nécessitent une vitesse relativement faible parce que si la vitesse est élevée le frottement de l'outil produit de la chaleur qui fait fondre le plastique.

## Entretien

**⚠ AVERTISSEMENT** Pour éviter les accidents, débranchez toujours l'outil et/ou l'adaptateur de courant de sa source d'alimentation secteur avant toute opération de maintenance ou de nettoyage.

### ► Service

**⚠ AVERTISSEMENT** IL N'EXISTE À L'INTÉRIEUR AUCUNE PIÈCE SUSCEPTIBLE D'ÊTRE ENTRETENUE PAR L'UTILISATEUR. L'entretien préventif exécuté par des personnes non autorisés peut entraîner un positionnement erroné des composants et des fils internes, ce qui peut présenter de graves dangers. Nous recommandons de confier toute intervention d'entretien sur l'outil à un centre de service-usine Dremel. **TECHNICIENS :** Débranchez l'outil et/ou l'adaptateur de courant de la source d'alimentation avant toute opération de maintenance ou de réparation.

### ► Piles

**Faire attention aux blocs-piles qui approchent la fin de leur vie.** Si vous remarquez une diminution dans les performances de votre outil ou une durée de fonctionnement réduite de manière significative entre charges, il est temps de remplacer le bloc-piles. Sinon, l'outil risquerait de fonctionner de façon inappropriée ou l'adaptateur

de courant risquerait d'être endommagé.

### ► Moteurs C.C.

Le moteur de votre outil a été conçu pour de nombreuses heures d'utilisation fiable. Pour maintenir l'efficacité maximale du moteur, nous recommandons de l'examiner tous les six mois. Seul un moteur de remplacement Dremel authentique, conçu spécialement pour votre outil, doit être utilisé.

### ► Nettoyage

**⚠ MISE EN GARDE** Certains agents de nettoyage et certains dissolvants abîment les pièces en plastique. Parmi ceux-ci se trouvent: l'essence, le tétrachlorure de carbone, les dissolvants de nettoyage chlorés, l'ammoniaque ainsi que les détergents domestiques qui en contiennent.

Les prises d'air et les leviers de commutation doivent être gardés propres et exempts de corps étrangers. Ne tentez pas de nettoyer en insérant des objets pointus à travers l'ouverture.

## Cordons de rallonge

**⚠ AVERTISSEMENT** Si un cordon de rallonge s'avère nécessaire, vous devez utiliser un cordon avec conducteurs de dimension adéquate pouvant porter le courant nécessaire à votre outil. Ceci préviendra une chute excessive de tension, une perte de courant ou une surchauffe. Les outils mis à la terre doivent utiliser des cordons de rallonge trifilaires pourvus de fiches à trois broches ainsi que des prises à trois broches.

**REMARQUE :** Plus le calibre est petit, plus le fil est gros.

### DIMENSIONS DE RALLONGES RECOMMANDÉES OUTILS 120 VOLTS COURANT ALTERNATIF

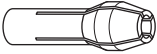
Intensité nominale de l'outil	Calibre A.W.G.				Calibre en mm <sup>2</sup>			
	Longueur en pieds				Longueur en mètres			
	25	50	100	150	15	30	60	120
<b>3-6</b>	18	16	16	14	0.75	0.75	1.5	2.5
<b>6-8</b>	18	16	14	12	0.75	1.0	2.5	4.0
<b>8-10</b>	18	16	14	12	0.75	1.0	2.5	4.0
<b>10-12</b>	16	16	14	12	1.0	2.5	4.0	-
<b>12-16</b>	14	12	-	-	-	-	-	-

## Accessoires Dremel

**⚠ AVERTISSEMENT** Utilisez uniquement des accessoires Dremel® ultra-performants. Aucun des autres accessoires n'a été conçu pour cet outil. Leur usage pourrait occasionner des blessures corporelles ou des dommages matériels.

**Ranger les accessoires dans un environnement sec et tempéré pour éviter les risques de corrosion et de détérioration.**

Le nombre et l'assortiment d'accessoires pour l'outil rotatif sont pratiquement illimités. Il existe une catégorie convenant à presque toutes les tâches que vous avez à accomplir – ainsi qu'un éventail de tailles et de formes à l'intérieur de chaque catégorie vous permettant ainsi d'obtenir l'accessoire parfait qui satisfait tous les besoins.

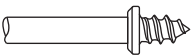


### Douilles

Si vous vous attendez à utiliser différents accessoires, nous vous recommandons d'acheter initialement un jeu complet de quatre douilles. Rangez-les de manière à avoir la douille de taille appropriée pour tout accessoire ou foret que vous désirez utiliser. **Les douilles de 3,2 mm, 2,4 mm, 0,8 mm et 1,6 mm peuvent actuellement recevoir tous les accessoires Dremel offerts. Les douilles d'3,2 mm po sont comprises dans la plupart des kits d'outils rotatifs.**

### Mandrins

Un mandrin est une tige à embout fileté ou à vis qui est nécessaire pour l'utilisation d'accessoires de polissage, de disques de découpage, de disques de ponçage ou de meules de polissage. Les mandrins sont utilisés parce que les disques de ponçage, les disques de découpage et les accessoires similaires doivent être remplacés souvent. Le mandrin est une tige permanente, ce qui vous permet de ne remplacer que la tête usée quand cela est nécessaire et d'économiser les frais de remplacer l'arbre chaque fois.



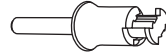
### Mandrin à vis N° 401

Il s'agit d'un mandrin à vis utilisé avec la pointe de polissage en feutre et les disques de polissage en feutre. Tiges de 3,2 mm.



### Mandrin à petite vis N° 402

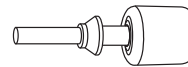
Il s'agit d'un mandrin avec une petite vis à son extrémité. Il s'utilise avec les disques de découpage en émeri et en fibre de verre, les disques de ponçage et les disques de polissage. Tiges de 3,2 mm.



EZ Lock™

### Mandrin EZ Lock N° 402

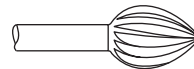
Le mandrin Dremel EZ Lock rend les changements d'accessoires aussi faciles que TIRER - TOURNER - RELÂCHER. Le modèle de mandrin monobloc simplifie le processus de remplacement des meules à tronçonner et facilite la coupe à travers le plastique.



### Mandrin EZ Drum™ N° EZ407SA

L'accessoire Dremel EZ Drum permet de changer d'accessoires en trois étapes simples : TIRER – POSITIONNER – ASSUJETTIR. La conception monobloc du mandrin simplifie le processus de changement des disques de ponçage.

### Couteaux à grande vitesse



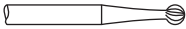
Offerts en un grand nombre de formes, les couteaux à grande vitesse servent à ciseler, couper et mortaiser dans le bois, les matières plastiques et les métaux mous tels que l'aluminium, le cuivre et le laiton. Ce sont les accessoires à utiliser pour le détournage à main libre ou le ciselage dans le bois ou le plastique, ainsi que pour le coupage de précision. Faits d'acier de haute qualité. Tiges de 3,2 mm.

### Couteaux au carbure de tungstène



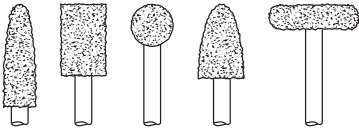
Ces couteaux résistants et de longue durée sont destinés à être utilisés sur l'acier trempé, la céramique cuite et autres matériaux très durs. On peut s'en servir pour graver les outils et le matériel de jardinage. Tiges de 3,2 mm.

## Accessoires Dremel



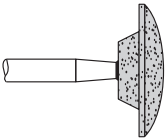
### Couteaux à graver

Ce groupe présente un vaste éventail de tailles et de formes, et ces couteaux sont conçus pour le travail délicat sur la céramique (à l'état vert), les sculptures en bois, les bijoux et la gravure sur coquillages, os, etc. On les utilise souvent dans le travail complexe de production des plaquettes à circuits imprimés. Ils ne doivent pas être utilisés sur l'acier et autres matériaux très durs, mais ils sont excellents sur le bois, les matières plastiques et les métaux mous. Ils nécessitent des tiges de 2,4 mm.



### Couteaux au carbure de tungstène (aux dents nervurées)

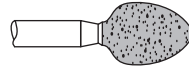
Les dents très affilées, à coupe rapide, enlèvent une plus grande quantité de matériau tout en se chargeant le moins possible. S'emploient sur la fibre de verre, le bois, les matières plastiques,



l'époxyde et le caoutchouc. Tiges de 3,2 mm.

### Meules en oxyde d'aluminium (orange/brun)

Rondes, pointues, plates : elles sont offertes dans toutes les formes. Ces meules sont faites d'oxyde d'aluminium et elles couvrent pratiquement chaque application de meulage. Vous pouvez les utiliser pour aiguïser les lames de tondeuse à gazon, les pointes de tournevis, les couteaux, les ciseaux, les burins et autres outils de coupe. Utilisez-les pour enlever les bavures sur les pièces coulées en métal, ébarber tout métal après la coupe, lisser les joints soudés, meuler les rivets et enlever la rouille. Ces meules peuvent être ré-aiguïées avec une pierre d'ébarbage. Dans les ateliers d'usinage, les forets et les couteaux pour usage à grande vitesse sont généralement meulés à l'aide de disques en oxyde d'aluminium. Tiges de 3,2 mm.



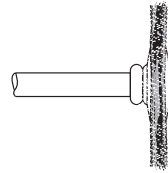
### Meules au carbure de silicium (bleu/vert)

Plus robustes que les pointes en oxyde d'aluminium, ces meules sont conçues spécialement pour usage sur les matériaux durs tels que le verre et la céramique. On les utilise souvent pour enlever les marques et l'excès de glaçure sur la céramique, ainsi que la gravure sur le verre. Tiges de 3,2 mm.



### Pointes de meule en diamant

Excellentes pour le travail de précision sur le bois, le jade, la céramique, le verre et autres matériaux durs. Les mèches sont recouvertes de particules de diamant. Tiges de 2,4 mm.

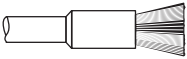


### Brosses métalliques

Trois formes différentes de brosses en fil métallique sont offertes. **Pour obtenir les meilleurs résultats, les brosses en fil métallique doivent être utilisées à des vitesses ne dépassant pas 15 000 tr/mn. Référez-vous au chapitre sur les vitesses d'utilisation pour déterminer le réglage approprié de l'outil.** Les trois formes sont offertes en trois matériaux différents : acier inoxydable, laiton et fil de carbone. L'acier inoxydable est efficace sur l'étain, l'aluminium, l'acier inoxydable et les autres métaux, sans laisser d'« après-rouille ». Les brosses en laiton ne forment pas d'étincelles et sont plus douces que l'acier, ce qui les rend adaptées pour usage sur les métaux mous tels que l'or, le cuivre et le laiton. Les brosses en fil de carbone sont bonnes pour le nettoyage à usage général.



## Accessoires Dremel

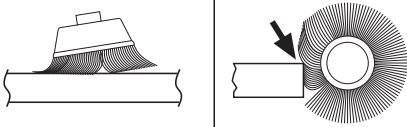


### Brosses de soies de porc

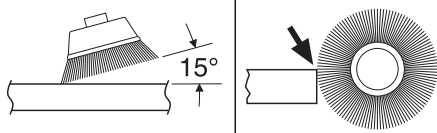
Ces brosses conviennent parfaitement bien au nettoyage de l'argenterie, des bijoux et des objets d'antiquité. Les trois formes permettent d'atteindre les angles étroits et autres endroits difficiles d'accès. Les brosses de soies de porc peuvent être utilisées avec la pâte à polir pour accélérer le nettoyage ou le polissage.

#### INCORRECT :

une pression excessive risquerait de casser les fils



**CORRECT :** les pointes de la brosse font le travail



### Pression de brosse

1. Souvenez-vous : ce sont les pointes d'une brosse métallique qui font le travail. N'appliquez qu'une pression très légère sur la brosse de sorte que seules les pointes des poils viennent en contact avec la pièce.
2. Si vous appliquez une pression trop importante, les poils seront surchargés, résultant en un balayage de la pièce. Si ceci se prolonge, la durée de vie de la brosse s'en trouvera écourtée à cause de la fatigue des poils.
3. Appliquez la brosse sur la pièce de manière à ce que la plus grande partie possible de sa tranche soit en contact total avec la pièce. Appliquer le côté ou le bord de la brosse sur la pièce résulterait en une cassure des poils et écourterait sa durée de vie.

EZ Lock™



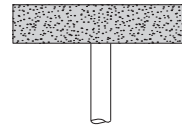
### Accessoires de polissage

Ceux-ci comprennent une pointe ainsi qu'un disque à polir, tous deux imbibés, pour lisser les surfaces métalliques ; une pointe et un

disque en feutre ainsi qu'un disque en tissu servant tous à polir les matières plastiques, les métaux et les petites pièces de bijouterie. Ce groupe comprend également une pâte à polir (N° 421) pour usage avec les disques à polir en feutre et en tissu.

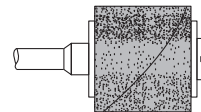
Les pointes de polissage produisent une surface très lisse, mais la surface est plus éclatante lorsque l'on utilise les disques en feutre ou en tissu et la pâte à polir. **Pour obtenir les meilleurs résultats, les accessoires de polissage doivent être utilisés à des vitesses non supérieures à 15 000 tr/mn.**

Aucune pâte à polir n'est nécessaire si on utilise le disque à polir N° 425.



### Meules abrasives en oxyde d'aluminium

Servent à enlever la peinture, ébarber le métal et polir l'acier inoxydable ainsi que les autres métaux. Offertes en grains fin et moyen. Tiges de 3,2 mm.

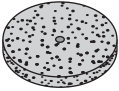


### Accessoires de ponçage

Les bandes de ponçage, à grains fin, moyen et gros sont conçues pour être adaptées au mandrin N° 402 et EZ407. Ils peuvent être utilisés pour pratiquement toute petite tâche de ponçage à exécuter, allant de la fabrication de maquettes à la finition de beaux meubles. Ces accessoires comprennent également le tambour ponceur, petit tambour qui s'insère dans l'outil rotatif et permet de façonner le bois, de lisser la fibre de verre, de poncer l'intérieur des courbes et autres endroits difficiles, et d'accomplir d'autres tâches de ponçage. Vous remplacez les bandes de ponçage sur le tambour à mesure qu'elles s'usent et perdent leur grain. Les bandes sont offertes en grains fin, moyen et gros. Les disques lamellaires meulent et polissent les surfaces plates ou à contours. Ils peuvent être utilisés le plus efficacement possible en tant que ponceuses de finition après avoir procédé à un ponçage de surface et à une extraction de matériaux plus intensifs. On peut trouver des disques lamellaires à grain fin et à gros

## Accessoires Dremel

grain. Les buffles sont un excellent accessoire de finition pour le nettoyage et le ponçage léger. Ils sont d'un usage efficace sur le métal, le verre, le bois, l'aluminium et le plastique. Les buffles à gros grain et à grain moyen sont vendus ensemble. Tous les buffles sont vendus individuellement. **Ne dépassez pas une vitesse de 15 000 tr/mn. Tiges de 3,2 mm.**



**Meule**

Utilisez pour ébavurer, enlever la rouille et la rectification à usage général. Utiliser avec le mandrin N°. 402.



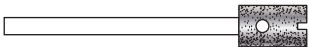
### Forets à dispositif de centrage

Les forets à dispositif de centrage revêtus de titane restent centrés et commencent à percer immédiatement. Pour utilisation sur le bois. Tailles : 1/8 po, 5/32 po, 3/16 po, 1/4 po. Tige de 1/8 po.



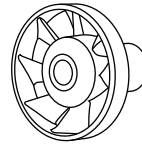
### Mèches HSS

Mèche HSS pour utilisation sur le métal et le plastique. Tailles : 1/8 po, 7/64 po, 3/32 po, 5/64 po, 1/16 po, 3/64 po, 1/32 po. La taille de la tige correspond à la taille de la mèche. Taille de douille (481, 482, 483) ou mandrin Dremel (4486) différents requis en fonction de la mèche utilisée.



### Mèches à verre

Mèches à point diamantée pour utilisation sur le verre et les carreaux muraux en céramique. Lubrifiant inclus.



### Soufflante à poussière

Cet appareil de soufflerie chasse la poussière pour améliorer la visibilité autour de l'ouvrage. Idéal pour les opérations de ponçage, de gravure et de sculpture. N'utilisez pas cet appareil pour arrêter ou ralentir l'outil. Ne mettez pas les doigts ou l'ouvrage en contact avec cet appareil de soufflerie pendant qu'il est en marche.



### Mandrin Dremel






Ce mandrin vous permet de changer rapidement et facilement d'accessoires sur des outils rotatifs Dremel sans avoir besoin de changer de douille. Compatible avec les accessoires ayant des tiges de diamètre compris entre 1/32 po et 1/8 po. Lisez le mode d'emploi. Insérez et serrez la tige de l'accessoire de façon sécurisée à l'intérieur des mâchoires du mandrin.







### ⚠ MISE EN GARDE

**N'utilisez pas un mandrin Dremel avec un accessoire de soins pour les animaux de compagnie AT01-PGA. Utilisez seulement une douille de 1/8 po et un écrou de fixation pour douille.** L'utilisation du mandrin Dremel pourrait endommager l'accessoire.

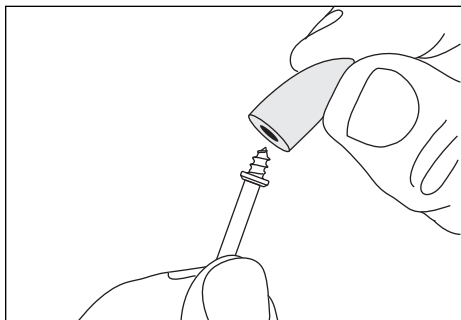
## Compatibilité pour la fixation d'attache Dremel

Modèle N°	Description	Compatibilité avec 7760
220 / 220-01	 Poste de travail	Non recommandé
225	 Arbre flexible	Non recommandé
231	 Table à toupie	Non recommandé
335 / 335-01	 Toupie à base plongeante	Non
490	 Soufflante à poussière	Oui
4486	 Mandrin Dremel	Non recommandé
A550	 Écran de protection	Oui
565	 Kit de coupe universel	Non recommandé
568	 Kit de retrait de coulis	Non recommandé
575	 Attachement à angle droit	Non recommandé
A576	 Plateforme de mise en forme	Oui

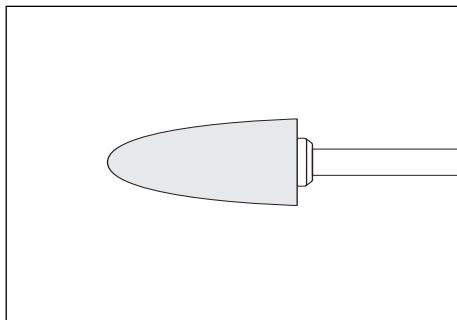
## Compatibilité pour la fixation d'attache Dremel

Modèle N°	Description		Compatibilité avec 7760
A577		Complément de préhension pour travaux de finition	Oui
670 / 670-01		Mini-scie	Non
675		Affûteur pour tondeuses à gazon et outils de jardin	Oui
678 / 678-01		Coupe-cercle et guide droit	Non recommandé
A679-02		Affûteur de scie à chaîne	Oui
2500 / 2500-01		Multi-vise	Oui

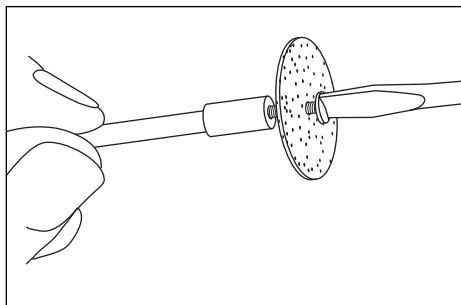
## Remplacement des accessoires du mandrin de la vis



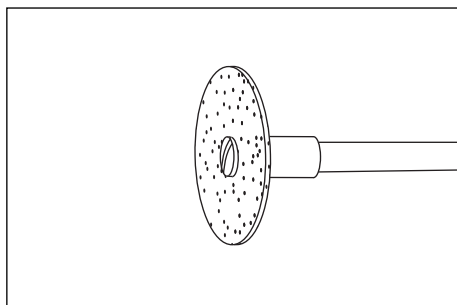
Le mandrin N° 401 s'emploie avec les meules et l'embout de polissage en feutre. Insérez l'embout sur la vis soigneusement.



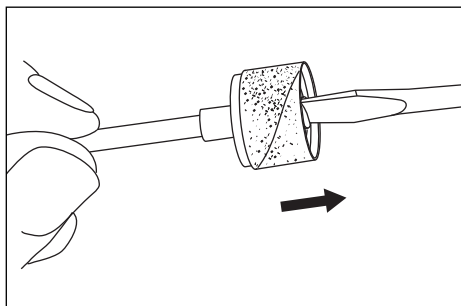
L'embout en feutre doit descendre droit sur le mandrin de la vis, et il doit être tourné complètement jusqu'à la douille.



Le mandrin N° 402 possède une petite vis à son extrémité, et cette vis est utilisée avec les patins de ponçage et les meules de coupe à l'émeri. Les vitesses élevées,

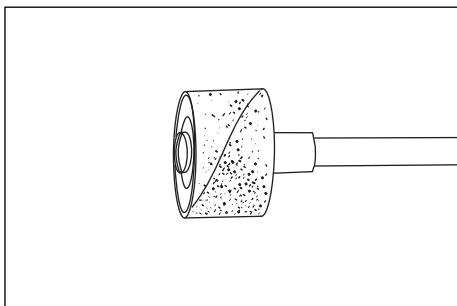


habituellement les vitesses maximales, sont celles qui conviennent le mieux à la plupart des tâches, y compris la coupe de l'acier qui est illustrée ici.



Pour remplacer une bande sur la **ponceuse à tambour**, desserrez la vis sans la retirer pour contracter le tambour, puis faites glisser la vieille bande à l'extérieur. Faites glisser la nouvelle bande de ponçage sur la ponceuse, puis donnez de l'expansion au tambour en serrant à nouveau la vis.

**⚠ AVERTISSEMENT** Avant chaque usage, vérifiez pour vous assurer que tous les



**composants sont assemblés sur la tige de l'accessoire et que le tambour est suffisamment étendu pour fixer solidement la bande durant l'utilisation.** Si la bande de ponçage est lâche sur le tambour durant le fonctionnement, elle peut être projetée et vous frapper ou frapper les personnes présentes.

## Mode d'emploi du mandrin EZ Lock™

Le mandrin EZ Lock™ N° EZ402 a un manchon à ressort et est utilisé avec les disques de tronçonnage, les feutres à polir et les chiffons à lustrer.

**⚠ AVERTISSEMENT** Assurez-vous toujours que l'outil rotatif est dans la position Arrêt (« OFF ») et débranchez la fiche de la prise de courant ou le bloc-piles de l'outil avant de changer des accessoires. Ces mesures de sécurité préventive réduisent le risque d'une mise en marche accidentelle de l'outil.

Assurez-vous toujours que l'accessoire est bien en place à l'intérieur du mandrin avant de commencer à l'utiliser. Un placement incorrect de l'accessoire dans le mandrin pourrait causer des blessures corporelles ou des dommages aux biens.

### Chargement de l'accessoire :

1. Placez le mandrin EZ Lock™ dans la douille aussi profondément que possible, et serrez l'écrou de fixation de la douille.

**Remarque :** Il existe une entretoise bleue qui reposera sur l'écrou de fixation de la douille et réglera le mandrin à la profondeur appropriée. En cas d'utilisation avec un mandrin Dremel, faites sortir légèrement le mandrin avant de serrer.

2. Tirez d'une main le manchon à ressort VERS LE BAS, en direction de l'outil, et maintenez-le dans cette position. Vous pouvez appuyer l'outil contre le corps ou contre l'établi pour augmenter la force de levier (Fig. 1).
3. De l'autre main, alignez l'élément en forme de nœud papillon sur la meule à tronçonner avec le mandrin et vérifiez que la pièce rapportée en métal est orientée dans le sens opposé à celui de l'outil (Fig. 2).
4. Placez la meule sur le mandrin à un point situé juste en dessous du nœud papillon sur le mandrin et faites-la tourner de 90 degrés jusqu'à ce que l'élément en forme de nœud papillon sur la meule soit aligné avec le manchon. Relâchez le manchon. La meule devrait se verrouiller en place (Fig. 3).
5. Lorsque vous montez des accessoires de ponçage et de polissage, alignez l'élément en forme de nœud papillon avec la pièce rapportée en métal sur le fond de l'accessoire (Fig. 4 et 5).

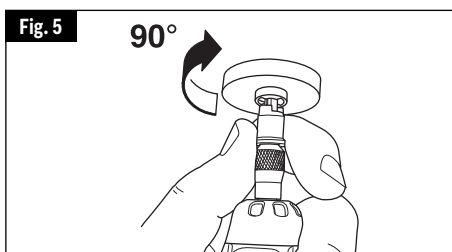
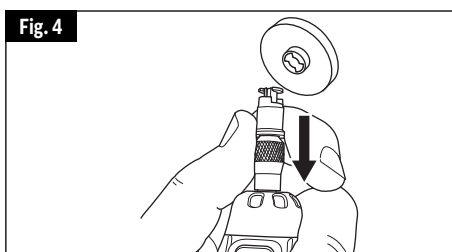
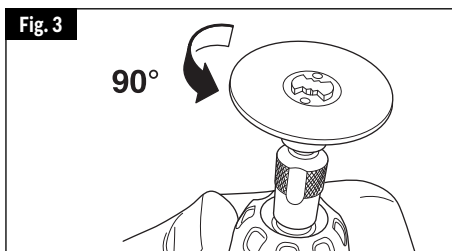
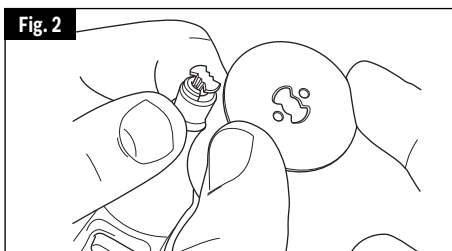
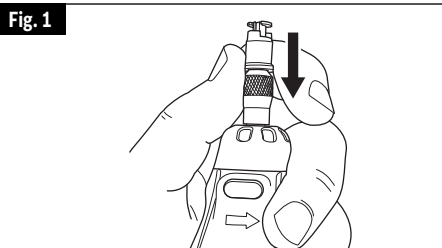
**Pour vous assurer que le positionnement est correct, saisissez le bouton de verrouillage de la douille et faites tourner l'accessoire. Ce dernier ne doit pas pouvoir tourner.**

### Déchargement de l'accessoire :

1. Tirez d'une main le manchon à ressort VERS LE BAS, en direction de l'outil (Fig. 1).
2. Maintenez le manchon dans cette position abaissée tout en faisant tourner l'accessoire de 90 degrés.
3. Retirez l'accessoire.

### Pendant l'emploi

Évitez tout risque d'endommagement du mandrin EZ Lock™ en faisant en sorte qu'il ne soit pas en contact avec l'ouvrage.



## Mode d'emploi du mandrin EZ Drum™

Le mandrin EZ Drum™ N° EZ407SA a un manchon à ressort et est utilisé avec des bandes de ponçage.

**⚠ AVERTISSEMENT** Assurez-vous toujours que l'outil rotatif est dans la position Arrêt (« OFF ») et débranchez la fiche de la prise de courant ou le bloc-piles de l'outil avant de changer des accessoires. Ces mesures de sécurité préventive réduisent le risque d'une mise en marche accidentelle de l'outil.

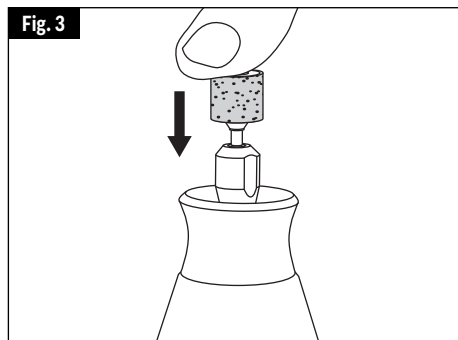
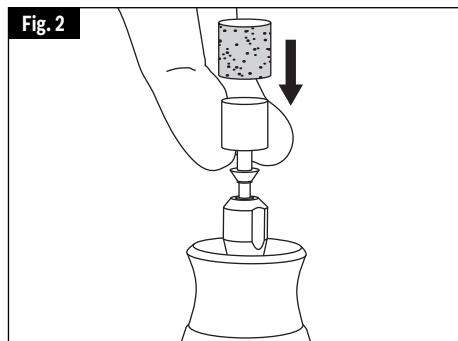
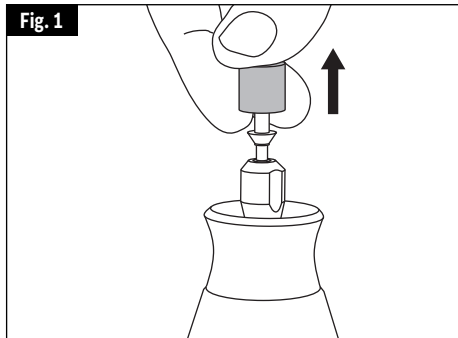
Assurez-vous toujours que l'accessoire est bien en place à l'intérieur du mandrin avant de commencer à l'utiliser. Un placement incorrect de l'accessoire dans le mandrin pourrait causer des blessures corporelles ou des dommages aux biens.

### Pour charger l'accessoire :

1. Comme indiqué, placez deux doigts sous le mandrin et tirez fermement vers le haut. Ceci placera l'EZ Drum™ dans la position « déverrouillée » (Fig. 1).
2. En gardant vos deux doigts sous le mandrin, faites glisser la bande de ponçage vers le bas jusqu'à ce que le mandrin bleu soit couvert entièrement (Fig. 2).
3. Pour revenir à la position « verrouillée », appuyez fermement sur la partie supérieure du mandrin (Fig. 3).

### Retrait de la bande de ponçage sur le mandrin :

1. Placez deux doigts sous le mandrin et tirez fermement vers le haut. Ceci placera l'EZ Drum™ dans la position « déverrouillée » (Fig. 1).
2. La bande de ponçage glissera maintenant facilement hors du mandrin (Fig. 2). Ne comprimez pas la bande de ponçage quand vous la retirez du mandrin EZ Drum™, car la bande en caoutchouc pourrait tomber du mandrin et ne plus être utilisable.



## Réglages de vitesse

**Remarque : Dans les tableaux de vitesses, chaque nombre pour les réglages = milliers de tr/mn**

\* Vitesse pour coupes légères, risque de brûlures sur rainures profondes.

• Selon le sens de coupe par rapport au grain du bois.

Notez que la vitesse recommandée n'est peut-être pas appropriée pour votre modèle d'outil rotatif.

Couteaux à coupe rapide								
Numéro de catalogue	Bois tendre	Bois dur	Stratifiés / plastique	Acier	Aluminum, laiton, etc.	Coquille/ pierre	Céramique	Verre
100, 121, 131	25-35	25-35	12-17	12-17	18-24	-	-	-
114, 124, 134, 144	25-35	12-17	9-11	12-17	12-17	-	-	-
118, 190, 191, 192, 193, 194	25-35	25-35	9-11	12-17	25-35	-	-	-
116, 117, 125, 196	25-35	12-17	9-11	12-17	12-17	-	-	-
115	25-35	25-35	9-11	12-17	12-17	-	-	-
198, 199	25-35	18-24	9-11	12-17	12-17	-	-	-

Couteaux à graver								
Numéro de catalogue	Bois tendre	Bois dur	Stratifiés / plastique	Acier	Aluminum, laiton, etc.	Coquille/ pierre	Céramique	Verre
105, 108	25-35	25-35	18-24	9-11	12-17	-	-	-
106, 107, 109, 110	25-35	25-35	12-17	9-11	12-17	-	-	-
111	25-35*	25-35*	18-24*	9-11	12-17	-	-	-
112, 113	25-35*	25-35*	12-17*	9-11	12-17	-	-	-

Pointes de meule en diamant								
Numéro de catalogue	Bois tendre	Bois dur	Stratifiés / plastique	Acier	Aluminum, laiton, etc.	Coquille/ pierre	Céramique	Verre
7103, 7105, 7117, 7120, 7122, 7123, 7134, 7144	25-35	18-24	-	-	-	25-35	25-35	25-35

Couteaux au carbure de tungstène à dent structurée								
Numéro de catalogue	Bois tendre	Bois dur	Stratifiés / plastique	Acier	Aluminum, laiton, etc.	Coquille/ pierre	Céramique	Verre
9931, 9932, 9933, 9934, 9935, 9936	25-35	18-24	9-11	-	12-17	-	-	-



## Réglages de vitesse

**Remarque : Dans les tableaux de vitesses, chaque nombre pour les réglages = milliers de tr/mn**

\* Vitesse pour coupes légères, risque de brûlures sur rainures profondes.

• Selon le sens de coupe par rapport au grain du bois.

Notez que la vitesse recommandée n'est peut-être pas appropriée pour votre modèle d'outil rotatif.

Couteaux au carbure de tungstène								
Numéro de catalogue	Bois tendre	Bois dur	Stratifiés / plastique	Acier	Aluminum, laiton, etc.	Coquille/pierre	Céramique	Verre
9901, 9902, 9903, 9904, 9905, 9906, 9912	25-35	18-24	9-11	25-35	12-17	18-24	18-35	18-35
9909, 9910, 9911	-	-	-	-	-	18-24	18-35	18-35

Meules au carbure de silicium (bleu/vert)								
Numéro de catalogue	Bois tendre	Bois dur	Stratifiés / plastique	Acier	Aluminum, laiton, etc.	Coquille/pierre	Céramique	Verre
83142, 83322, 83702, 84922, 85422, 85602, 85622	-	-	12-17	25-35	9-11	12-17	25-35	25-35

Meules/pointes abrasives								
Numéro de catalogue	Bois tendre	Bois dur	Stratifiés / plastique	Acier	Aluminum, laiton, etc.	Coquille/pierre	Céramique	Verre
516	9-17	9-17	-	18-24	12-17	-	-	-
500	9-17	9-17	-	12-24	9-17	-	-	-
EZ541GR	-	-	-	12-24	9-17	-	-	-

Meules à l'oxyde d'aluminium (orange/brun)								
Numéro de catalogue	Bois tendre	Bois dur	Stratifiés / plastique	Acier	Aluminum, laiton, etc.	Coquille/pierre	Céramique	Verre
541, 903, 911, 921, 932, 941, 945, 952, 953, 954, 971, 997, 8153, 8175, 8193, 8215	25-35	25-35	-	18-24	9-11	12-17	25-35	-

## Réglages de vitesse

**Remarque : Dans les tableaux de vitesses, chaque nombre pour les réglages = milliers de tr/mn**

- \* Vitesse pour coupes légères, risque de brûlures sur rainures profondes.
- Selon le sens de coupe par rapport au grain du bois.

Notez que la vitesse recommandée n'est peut-être pas appropriée pour votre modèle d'outil rotatif.

Pierres à affûter pour tronçonneuse à chaîne								
Numéro de catalogue	Bois tendre	Bois dur	Stratifiés / plastique	Acier	Aluminium, laiton, etc.	Coquille/pierre	Céramique	Verre
453, 454, 455	-	-	-	25-35	-	-	-	-

Accessoires de coupe								
Numéro de catalogue	Bois tendre	Bois dur	Stratifiés / plastique	Acier	Aluminium, laiton, etc.	Coquille/pierre	Céramique	Verre
409, 420, 426, 540, EZ409	-	-	5-11	25-35	25-35	25-35	25-35	-
543, EZ544	25-35	18-35	5-11	-	-	-	-	-
545, EZ545	18-35	18-24	-	-	-	12-24	12-24	-
EZ456	-	-	-	25-35	25-35	-	-	-
EZ476	-	-	5-11	-	-	-	-	-

Accessoires de polissage								
Numéro de catalogue	Bois tendre	Bois dur	Stratifiés / plastique	Acier	Aluminium, laiton, etc.	Coquille/pierre	Céramique	Verre
461, 462, 463	-	-	-	18-24	18-24	18-24	18-24	18-24
414, 422, 429	-	-	-	12-17	12-17	12-17	12-17	12-17
425, 427	-	-	-	18-24	18-24	-	-	-
423E	-	-	-	12-24	12-24	12-24	12-24	12-24

Brosses métalliques								
Numéro de catalogue	Bois tendre	Bois dur	Stratifiés / plastique	Acier	Aluminium, laiton, etc.	Coquille/pierre	Céramique	Verre
403, 404, 405	9-11	9-11	5-11	12-17	12-17	-	-	-
428, 442, 443	9-11	9-11	5-8	9-11	9-11	-	-	-
530, 531, 532	-	9-11	-	9-11	-	-	-	-
535, 536, 537	9-11	9-11	-	9-11	9-11	9-11	-	-

Bandes et disques à poncer								
Numéro de catalogue	Bois tendre	Bois dur	Stratifiés / plastique	Acier	Aluminium, laiton, etc.	Coquille/pierre	Céramique	Verre
407, 408, 430, 431, 432, 438, 439, 440, 444	5-35	5-35	5-17	25-35	25-35	5-35	5-35	-
411, 412, 413	12-17	12-17	5-8	-	5-8	-	-	-

## Réglages de vitesse

**Remarque : Dans les tableaux de vitesses, chaque nombre pour les réglages = milliers de tr/mn**

- \* Vitesse pour coupes légères, risque de brûlures sur rainures profondes.
- Selon le sens de coupe par rapport au grain du bois.

Notez que la vitesse recommandée n'est peut-être pas appropriée pour votre modèle d'outil rotatif.

Meules à lamelles								
Numéro de catalogue	Bois tendre	Bois dur	Stratifiés / plastique	Acier	Aluminum, laiton, etc.	Coquille/ pierre	Céramique	Verre
502, 503, 504, 505	25-35	18-24	5-8	25-35	18-35	-	-	-

Tampons abrasifs de finition								
Numéro de catalogue	Bois tendre	Bois dur	Stratifiés / plastique	Acier	Aluminum, laiton, etc.	Coquille/ pierre	Céramique	Verre
511E, 512E	12-17	12-17	9-11	12-17	12-17	-	-	-

Brosses abrasifs de détail								
Numéro de catalogue	Bois tendre	Bois dur	Stratifiés / plastique	Acier	Aluminum, laiton, etc.	Coquille/ pierre	Céramique	Verre
EZ471SA, EZ472SA, EZ473SA	5-17	5-17	5-11	5-17	5-17	-	-	-

Embout (foret)								
Numéro de catalogue	Bois tendre	Bois dur	Stratifiés / plastique	Acier	Aluminum, laiton, etc.	Coquille/ pierre	Céramique	Verre
150	25-35	18-35	5-11	-	12-17	-	-	-

Embouts (forets) pour verre								
Numéro de catalogue	Bois tendre	Bois dur	Stratifiés / plastique	Acier	Aluminum, laiton, etc.	Coquille/ pierre	Céramique	Verre
662DR, 663DR	-	-	-	-	-	5-17	5-17	5-17

Embouts (forets) pour extraction de coulis								
Numéro de catalogue	Bois tendre	Bois dur	Stratifiés / plastique	Acier	Aluminum, laiton, etc.	Coquille/ pierre	Céramique	Verre
569, 570	A utiliser sur coulis pour murs et plancher					-	12-24	-

## Garantie limitée de Dremel®

Votre produit Dremel est garanti contre les vices de matériau ou de façon pendant un délai de deux ans à compter de la date d'achat. Dans l'hypothèse où le produit ne se conformerait pas à cette garantie écrite, veuillez procéder de la façon suivante :

1. NE RAPPORTEZ PAS votre produit à l'endroit où vous l'avez acheté.
2. Emballez avec soin le produit seul, sans aucun autre article, et renvoyez-le, en port payé, accompagné :
  - A. d'une copie de votre justificatif d'achat daté (veuillez en garder une copie pour vous-même)
  - B. d'une déclaration écrite concernant la nature du problème
  - C. d'une indication de vos nom, adresse et numéro de téléphone, à l'adresse suivante :

### ÉTATS-UNIS

Robert Bosch Tool  
Corporation Dremel Repairs  
173 Lawrence 428 Dock #2  
Walnut Ridge, AR 72476

OU

### CANADA

Giles Tool Agency  
47 Granger Av.  
Scarborough, Ontario Canada  
M1K 3K9 1-416-287-3000

### À L'EXTÉRIEUR DU TERRITOIRE CONTINENTAL DES ÉTATS-UNIS

Consultez votre distributeur local ou écrivez à Dremel :  
Dremel Repairs 173 Lawrence 428 Dock #2 Walnut Ridge, AR 72476

Nous vous recommandons d'assurer le paquet contre la perte ou les dommages en cours de route dont nous ne pouvons assumer la responsabilité.

Cette garantie n'est offerte qu'à l'acheteur enregistré d'origine. LES DOMMAGES AU PRODUIT RÉSULTANT DE MANIPULATIONS ABUSIVES, D'ACCIDENTS, D'USAGES ABUSIFS, DE NÉGLIGENCE, DE RÉPARATIONS OU D'ALTÉRATIONS NON AUTORISÉES, D'UTILISATION D'ACCESSOIRES NON APPROUVÉS OU D'AUTRES CAUSES NON LIÉES AU MATÉRIAU OU À LA FAÇON NE SONT PAS COUVERTS PAR CETTE GARANTIE.

Aucun employé, mandataire, vendeur ou autre n'est autorisé à accorder des garanties au nom de Dremel. Si l'inspection effectuée par Dremel révèle que le problème a été causé par un problème de matériau ou de façon dans les limites de la garantie, Dremel réparera ou remplacera le produit gratuitement et renverra le produit en port payé. Si elles peuvent être effectuées, les réparations rendues nécessaires par l'usure normale ou un usage abusif, ou les réparations du produit une fois la période de garantie expirée, seront facturées aux tarifs réguliers de l'usine.

DREMEL N'ACCORDE AUCUNE AUTRE GARANTIE DE QUELQUE NATURE QUE CE SOIT, EXPLICITE OU IMPLICITE, ET TOUTES LES GARANTIES IMPLICITES DE COMMERCIALISATION ET D'APTITUDE À UN USAGE PARTICULIER EN PLUS DE L'OBLIGATION SUSVISÉE SONT REJETÉES PAR LES PRÉSENTES PAR DREMEL ET EXCLUES DE CETTE GARANTIE LIMITÉE.

Cette garantie vous accorde certains droits précis, et vous pouvez également avoir d'autres droits qui varient d'un endroit à un autre. L'obligation du garant se limite à réparer ou remplacer le produit. Le garant n'est responsable d'aucun dommage accessoire ou indirect attribuable à de telles défaillances alléguées. Certaines juridictions ne permettent pas l'exclusion ou la limitation des dommages accessoires ou indirects ; il se peut donc que les limitations ou l'exclusion qui précède ne s'appliquent pas à vous.





En ce qui concerne les prix et la façon de vous prévaloir de la garantie sur le territoire continental des États-Unis, mettez-vous en contact avec votre distributeur Dremel local.

Exportado por: © Robert Bosch Tool Corporation Mt. Prospect, IL 60056 -2230, E.U.A.

Importado a México por: Robert Bosch, S. de R.L. de C.V.  
Calle Robert Bosch No. 405 - 50071 Toluca, Edo. de Méx. - México  
Tel. 052 (722) 279 2300 ext 1160 / Fax. 052 (722) 216-6656

## Símbolos de seguridad

Las definiciones que aparecen a continuación describen el nivel de gravedad de cada palabra de señal de seguridad. Por favor, lea el manual y preste atención a estos símbolos.

	Éste es el símbolo de alerta de seguridad. Se utiliza para alertarle a usted de posibles peligros de lesiones corporales. Obedezca todos los mensajes de seguridad que sigan a este símbolo para evitar posibles lesiones o muerte.
	PELIGRO indica una situación peligrosa que, si no se evita, causará la muerte o lesiones graves.
	ADVERTENCIA indica una situación peligrosa que, si no se evita, podría causar la muerte o lesiones graves.
	PRECAUCIÓN indica una situación peligrosa que, si no se evita, podría causar lesiones leves o moderadas.

## Instrucciones de seguridad importantes

**ADVERTENCIA** Cuando se utilicen electrodomésticos, se deberán seguir siempre precauciones básicas, incluyendo las siguientes:

- a) Lea todas las instrucciones antes de utilizar el electrodoméstico
- b) Para reducir el riesgo de lesiones, se necesita supervisión estrecha cuando el electrodoméstico se utilice cerca de niños
- c) No entre en contacto con las piezas que estén en movimiento
- d) Utilice únicamente aditamentos recomendados o vendidos por el fabricante
- e) No utilice la unidad a la intemperie
- f) Para reducir el riesgo de descargas eléctricas, no ponga la herramienta rotativa 7760-PGK en agua u otro líquido. No ponga ni almacene el electrodoméstico en un lugar donde pueda caer o ser jalado a una tina o un lavamanos.
- g) Utilice únicamente el adaptador de alimentación recomendado por el fabricante para recargar la herramienta.

**GUARDE ESTAS INSTRUCCIONES**

## Normas de seguridad para arreglar uñas de animales domésticos

**ADVERTENCIA** Lea todas las advertencias de seguridad y todas las instrucciones. Si no se siguen las advertencias e instrucciones, es posible que el resultado sea un incendio y/o lesiones graves a una persona o un animal.

**Mantenga la herramienta alejada del agua.** Tenga precaución adicional cuando utilice la herramienta rotativa cerca de una tina o un área de lavado de animales domésticos. Si entra agua en una herramienta eléctrica se aumentará el riesgo de descargas eléctricas. **Use equipo de protección personal. Use siempre protección de los ojos.** **Este producto está diseñado únicamente para arreglar uñas de perro o de gato. Este**

**producto no está diseñado para utilizarse como taladro dental en aplicaciones médicas en seres humanos ni en veterinaria.** En caso de hacer dicho uso, es posible que el resultado sea lesiones graves. **Utilice únicamente el disco de lijar accesorio SD60-PGA y el mandril EZ Lock™ EZ402 con el aditamento AT01-PGA.** Es posible que el uso de cualquier otro accesorio cause lesiones graves.

## Safety Rules for Pet Grooming

**No utilice el aditamento AT01-PGA sin tener todos los componentes instalados de acuerdo con las instrucciones de utilización.** Cualquier otro uso es un uso indebido y podría causar lesiones.

**La velocidad de funcionamiento máxima recomendada para la mayoría de aplicaciones de acicalamiento de animales domésticos es 10.000/min. La posición de velocidad recomendada es la "1". Es posible que el grosor de la uña y otros factores requieran el uso de velocidades más altas. Tenga precaución extrema cuando utilice la herramienta a velocidades más altas y limite la cantidad**

**de tiempo que la uña está expuesta a la superficie de lijado.** Es posible que el uso de velocidades de funcionamiento más altas cause acumulación de calor y lesiones al animal doméstico. Monitoree siempre al animal doméstico por si aparecen señales de molestias y detenga la operación si se observan dichas señales.

**Mantenga el pelo del animal doméstico alejado de las piezas que giran.** El pelo se puede enganchar en la herramienta y con ello causar lesiones a su animal doméstico. Consulte la sección "Consejos de seguridad para animales domésticos" para obtener más información.

## Advertencias generales de seguridad para herramientas mecánicas

**⚠ ADVERTENCIA** Lea todas las advertencias de seguridad y todas las instrucciones. Si no se siguen las advertencias e instrucciones, el resultado podría ser sacudidas eléctricas, incendio y/o lesiones graves.

### **GUARDE TODAS LAS ADVERTENCIAS E INSTRUCCIONES PARA REFERENCIA FUTURA**

La expresión "herramienta mecánica" en las advertencias se refiere a su herramienta mecánica alimentada por la red eléctrica (herramienta alámbrica) o su herramienta mecánica alimentada por baterías (herramienta inalámbrica).

### ► Seguridad del área de trabajo

**Mantenga el área de trabajo limpia y bien iluminada.** Las áreas desordenadas u oscuras invitan a que se produzcan accidentes.

**No utilice herramientas mecánicas en atmósferas explosivas, como por ejemplo en presencia de líquidos, gases o polvos inflamables.** Las herramientas mecánicas generan chispas que pueden incendiar el polvo o los vapores.

**Mantenga alejados a los niños y a las personas que estén presentes mientras esté utilizando una herramienta mecánica.** Las distracciones pueden hacerle perder el control de la herramienta.

### ► Seguridad eléctrica

**Los enchufes de las herramientas mecánicas deben coincidir con el tomacorriente. No modifique nunca el enchufe de ningún modo. No use enchufes adaptadores con herramientas mecánicas**

**conectadas a tierra (puestas a tierra).** Los enchufes no modificados y los tomacorrientes coincidentes reducirán el riesgo de sacudidas eléctricas.

**Evite el contacto del cuerpo con las superficies conectadas o puestas a tierra, tales como tuberías, radiadores, estufas y refrigeradores.** Hay un aumento del riesgo de sacudidas eléctricas si el cuerpo del operador se conecta o pone a tierra.

**No exponga las herramientas mecánicas a la lluvia o a condiciones mojadas.** La entrada de agua en una herramienta mecánica aumentará el riesgo de que se produzcan sacudidas eléctricas.

**No maltrate el cordón de energía. No use nunca el cordón para transportar la herramienta mecánica, tirar de ella o desenchufarla. Mantenga el cordón alejado del calor, el aceite, los bordes afilados o las piezas móviles.** Los cordones dañados o enganchados aumentan el riesgo de que se produzcan sacudidas eléctricas.

**Cuando utilice una herramienta mecánica en el exterior, use un cordón de extensión**

## Advertencias generales de seguridad para herramientas mecánicas

**adecuado para uso a la intemperie.** La utilización de un cordón adecuado para uso a la intemperie reduce el riesgo de que se produzcan sacudidas eléctricas.

**Si es inevitable utilizar una herramienta mecánica en un lugar húmedo, utilice una fuente de energía protegida por un interruptor de circuito accionado por corriente de pérdida a tierra (GFCI).** El uso de un GFCI reduce el riesgo de sacudidas eléctricas.

### ► Seguridad personal

**Manténgase alerta, fijese en lo que está haciendo y use el sentido común cuando esté utilizando una herramienta mecánica. No use una herramienta mecánica cuando esté cansado o bajo la influencia de drogas, alcohol o medicamentos.** Un momento de distracción mientras esté utilizando herramientas mecánicas podría causar lesiones corporales graves.

**Use equipo de protección personal. Use siempre protección de los ojos.** El equipo de protección, como por ejemplo una máscara antipolvo, calzado de seguridad antideslizante, casco o protección de oídos, utilizado para las condiciones apropiadas, reducirá las lesiones corporales.

**Evite el arranque accidental. Asegúrese de que el interruptor esté en la posición de apagado antes de conectar la herramienta a la fuente de energía y / o al paquete de batería, levantar la herramienta o transportarla.** Transportar herramientas mecánicas con un dedo en el interruptor o encender herramientas mecánicas que tengan el interruptor en la posición de encendido invita a que se produzcan accidentes.

**Quite todas las llaves de ajuste o de tuerca antes de encender la herramienta mecánica.** Una llave de tuerca o de ajuste que se deje colocada en una pieza giratoria de la herramienta mecánica podría causar lesiones corporales.

**No intente alcanzar demasiado lejos. Mantenga un apoyo de los pies y un equilibrio apropiados en todo momento.** Esto permite controlar mejor la herramienta mecánica en situaciones inesperadas.

**Vístase adecuadamente. No use ropa holgada ni alhajas holgadas. Mantenga el pelo, la ropa y los guantes alejados de las piezas móviles.** La ropa holgada, las alhajas

holgadas o el pelo largo pueden quedar atrapados en las piezas móviles.

**Si se proporcionan dispositivos para la conexión de instalaciones de extracción y recolección de polvo, asegúrese de que dichas instalaciones estén conectadas y se usen correctamente.** El uso de dispositivos de recolección de polvo puede reducir los peligros relacionados con el polvo.

### ► Uso y cuidado de las herramientas mecánicas

**No fuerce la herramienta mecánica. Use la herramienta mecánica correcta para la aplicación que desee realizar.** La herramienta mecánica correcta hará el trabajo mejor y con más seguridad a la capacidad nominal para la que fue diseñada.

**No use la herramienta mecánica si el interruptor no la enciende y apaga.** Toda herramienta mecánica que no se pueda controlar con el interruptor es peligrosa y debe ser reparada.

**Desconecte el enchufe de la fuente de energía y/o el paquete de batería de la herramienta mecánica antes de hacer cualquier ajuste, cambiar accesorios o almacenar herramientas mecánicas.** Dichas medidas preventivas de seguridad reducen el riesgo de arrancar accidentalmente la herramienta mecánica.

**Guarde las herramientas que no esté usando fuera del alcance de los niños y no deje que personas que no estén familiarizadas con la herramienta mecánica o con estas instrucciones utilicen la herramienta.** Las herramientas mecánicas son peligrosas en manos de usuarios que no hayan recibido capacitación.

**Mantenga las herramientas mecánicas. Compruebe si hay piezas móviles desalineadas o que se atorán, si hay piezas rotas y si existe cualquier otra situación que podría afectar el funcionamiento de la herramienta mecánica. Si la herramienta mecánica está dañada, haga que la reparen antes de usarla.** Muchos accidentes son causados por herramientas mecánicas mantenidas deficientemente.

**Mantenga las herramientas de corte afiladas y limpias.** Es menos probable que las herramientas de corte mantenidas apropiadamente, con bordes de corte afilados, se atoren, y dichas herramientas

## Advertencias generales de seguridad para herramientas mecánicas

son más fáciles de controlar.

**Utilice la herramienta mecánica, los accesorios, las brocas de la herramienta, etc., de acuerdo con estas instrucciones, teniendo en cuenta las condiciones de trabajo y el trabajo que se vaya a realizar.** El uso de la herramienta mecánica para operaciones distintas a aquéllas para las que fue diseñada podría causar una situación peligrosa.

### ► **Uso y cuidado de las herramientas alimentadas por baterías**

**Recargue las baterías solamente con el cargador especificado por el fabricante.** Un cargador que es adecuado para un tipo de paquete de batería puede crear un riesgo de incendio cuando se utiliza con otro paquete de batería.

**Utilice las herramientas mecánicas solamente con paquetes de batería designados específicamente.** El uso de cualquier otro paquete de batería puede crear un riesgo de lesiones e incendio.

**Cuando el paquete de batería no se esté**

**usando, manténgalo alejado de otros objetos metálicos, tales como sujetapapeles, monedas, llaves, clavos, tornillos u otros objetos metálicos pequeños que pueden hacer una conexión de un terminal a otro.** Si se cortocircuitan los terminales de la batería uno con otro, se pueden causar quemaduras o un incendio.

**En condiciones abusivas, es posible que se eyecte líquido de la batería. Evite el contacto. Si se produce un contacto accidental, enjuáguese con agua. Si el líquido entra en contacto con los ojos, obtenga además ayuda médica.** El líquido que salga eyectado de la batería puede causar irritación o quemaduras.

### ► **Servicio de ajustes y reparaciones**

**Haga que su herramienta mecánica reciba servicio de un técnico de reparaciones calificado, utilizando únicamente piezas de repuesto idénticas.** Esto asegurará que se mantenga la seguridad de la herramienta mecánica.

## Normas de seguridad para herramientas giratorias

### ► **Advertencias de seguridad comunes para las operaciones de amolado, lijado, cepillado con cepillo de alambre, pulido, tallado o tronzado con ruedas abrasivas:**

**Esta herramienta eléctrica está diseñada para funcionar como amoladora, lijadora, cepillo de alambre, pulidora, talladora o herramienta tronzadora. Lea todas las advertencias de seguridad, instrucciones, ilustraciones y especificaciones suministradas con esta herramienta eléctrica.** Si no se siguen todas las instrucciones que se indican a continuación, el resultado podría ser descargas eléctricas, incendio y/o lesiones graves.

**No utilice accesorios que no estén diseñados y recomendados específicamente por el fabricante de la**

**herramienta.** Sólo porque el accesorio se pueda acoplar a su herramienta eléctrica, eso no garantiza un funcionamiento seguro.

**La VELOCIDAD NOMINAL de los accesorios debe ser por lo menos igual al ajuste de velocidad de funcionamiento marcado en la herramienta eléctrica.** Los accesorios que funcionen más rápidamente que su VELOCIDAD NOMINAL se pueden romper y ser lanzados al aire.

**El diámetro exterior y el grosor de su accesorio deben estar dentro de los límites de la capacidad nominal de su herramienta eléctrica.** Los accesorios de tamaño incorrecto no se pueden controlar adecuadamente.

**El tamaño del eje portaherramienta de las ruedas, los tambores de lijar o cualquier otro accesorio debe encajar apropiadamente en el husillo o el portaherramienta de la herramienta eléctrica.** Los accesorios que no coincidan con los herrajes de montaje de la herramienta



## Normas de seguridad para herramientas giratorias

eléctrica funcionarán desequilibrados, vibrarán excesivamente y podrán causar pérdida de control.

**Las RUEDAS MONTADAS en mandrín, los tambores de lijar, los cortadores u otros accesorios se deben insertar completamente en el portaherramienta o el mandril.** Si el mandrín no está suficientemente sujeto y/o el saliente de la rueda es demasiado largo, la RUEDA MONTADA se podría aflojar y ser eyectada a alta velocidad.

**No utilice un accesorio que esté dañado. Antes de cada uso, inspeccione el accesorio, como por ejemplo las ruedas abrasivas para comprobar si tienen picaduras y grietas, el tambor de lijar para revisar si tiene grietas, desgarraduras o desgaste excesivo, y el cepillo de alambre para comprobar si hay alambres flojos o agrietados.** Si la herramienta eléctrica o el accesorio se cae, realice una inspección para comprobar si se ha dañado o instale un accesorio que no esté dañado. Después de inspeccionar e instalar un accesorio, posicione usted y posicione a las personas que estén presentes alejados del plano del accesorio que rota y haga funcionar la herramienta eléctrica a la máxima velocidad sin carga durante un minuto. Normalmente, los accesorios dañados se romperán en pedazos durante este tiempo de prueba.

**Use equipo de protección personal. Dependiendo de la aplicación, use una careta, anteojos de seguridad o gafas de seguridad. Según sea apropiado, use una máscara antipolvo, protectores de la audición, guantes y un delantal de taller capaz de detener pequeños fragmentos de abrasivo o de la pieza de trabajo. La protección de los ojos debe ser capaz de detener los residuos que salgan despedidos al ser generados por diversas operaciones.** La máscara antipolvo o el respirador debe ser capaz de impedir mediante filtración el paso de las partículas generadas por la operación que usted vaya a realizar. La exposición prolongada a ruido de alta intensidad podría causar pérdida de audición.

**Mantenga a las personas que estén presentes a una distancia segura del área de trabajo. Toda persona que entre al área de trabajo debe usar equipo de protección personal.** Los fragmentos de la pieza de trabajo o de un accesorio roto pueden salir despedidos y causar lesiones más allá del

área de operación inmediata.

**Agarre la herramienta eléctrica solamente por las superficies de agarre con aislamiento cuando realice una operación en la que el accesorio de corte pueda entrar en contacto con cables ocultos.** Si el accesorio de corte entra en contacto con un cable con corriente, eso puede hacer que las partes metálicas de la herramienta eléctrica que están al descubierto lleven corriente y podrían causar una descarga eléctrica al operador.

**Sostenga siempre firmemente la herramienta en la(s) mano(s) durante el arranque.** La fuerza de torsión de reacción del motor, a medida que acelera hasta la máxima velocidad, puede hacer que la herramienta se tuerza.

**Use abrazaderas para soportar la pieza de trabajo siempre que sea práctico. No sostenga nunca una pieza de trabajo pequeña en una mano y la herramienta en la otra mano mientras esté en uso.** Si sujeta con una abrazadera una pieza de trabajo pequeña, podrá usar la(s) mano(s) para controlar la herramienta. El material redondo, como las varillas de unión, las tuberías o los tubos, tiene tendencia a rodar mientras está siendo cortado y puede hacer que la broca se atore o salte hacia usted.

**Posicione el cable de alimentación lejos del accesorio que gira.** Si usted pierde el control, es posible que el cable de alimentación resulte cortado o enganchado y puede que la mano o el brazo sean jalados hasta el accesorio que gira.

**No deje nunca la herramienta eléctrica en ningún lugar hasta que el accesorio se haya detenido por completo.** El accesorio que gira se puede enganchar en la superficie y jalar la herramienta eléctrica hasta hacer que usted pierda el control de la misma.

**Después de cambiar las brocas o hacer cualquier ajuste, asegúrese de que la tuerca del portaherramienta, el mandril o cualquier otro dispositivo de ajuste estén firmemente apretados.** Los dispositivos de ajuste flojos pueden cambiar de posición inesperadamente, causando pérdida de control, y los componente que roten estando flojos serán arrojados violentamente.

**No tenga la herramienta eléctrica en marcha mientras la lleva junto a usted.** Un contacto accidental con el accesorio que gira podría engancharle la ropa y jalar el accesorio hasta su cuerpo.

## Normas de seguridad para herramientas giratorias

**Limpie regularmente las aberturas de ventilación de la herramienta eléctrica.** El ventilador del motor absorberá el polvo en el interior de la carcasa y la acumulación excesiva de metal en polvo podría causar peligros eléctricos.

**No utilice la herramienta eléctrica cerca de materiales inflamables.** Las chispas podrían incendiar estos materiales.

**No utilice accesorios que requieran refrigerantes líquidos.** El uso de agua u otros refrigerantes líquidos podría causar electrocución o descargas eléctricas.

**Utilice la herramienta únicamente en un área bien ventilada.** Al trabajar en un entorno seguro se reduce el riesgo de lesiones.

**Deje suficiente espacio, por lo menos 6 pulgadas, entre la mano y la broca que gira. No ponga la mano en el área de la broca que gira.** Puede que la proximidad de la mano a la broca que gira no siempre sea obvia.

**No toque la broca ni el portaherramienta después de usar la herramienta.** Después del uso, la broca y el portaherramienta están demasiado calientes para tocarlos con las manos desnudas.

**No altere ni utilice incorrectamente la herramienta.** Cualquier alteración o modificación es un uso incorrecto y es posible que cause lesiones corporales graves.

**Este producto no está diseñado para utilizarse como taladro dental, en aplicaciones médicas en humanos o en veterinaria.** El resultado podrá ser lesiones graves.

### ► Retroceso y advertencias relacionadas

El retroceso es una reacción repentina a una rueda, una almohadilla de refuerzo, un cepillo o cualquier otro accesorio que esté rotando y que resulte pellizcado o enganchado. El pellizcamiento o el enganche causan una parada rápida del accesorio que rota, lo cual a su vez hace que la herramienta eléctrica descontrolada sea forzada en sentido opuesto al de rotación del accesorio.

Por ejemplo, si una rueda abrasiva es enganchada o pellizcada por la pieza de trabajo, el borde de la rueda que está entrando en el punto de pellizcamiento

puede penetrar en la superficie del material y hacer que la rueda se salga del corte o experimente retroceso. La rueda puede saltar hacia el operador o alejándose de éste, dependiendo del sentido del movimiento de dicha rueda en el punto de pellizcamiento. Las ruedas abrasivas también se pueden romper en estas condiciones.

El retroceso es el resultado de la utilización indebida de la herramienta eléctrica y/o de procedimientos o condiciones de operación incorrectos, y se puede evitar tomando las precauciones apropiadas tal y como se indica a continuación.

**Mantenga un agarre firme de la herramienta eléctrica y posicione el cuerpo y el brazo de manera que le permitan resistir las fuerzas de retroceso.** El operador puede controlar las fuerzas de retroceso, si se toman las precauciones adecuadas.

**Tenga cuidado especial cuando trabaje en esquinas, bordes afilados, etc. Evite hacer rebotar y enganchar el accesorio.** Las esquinas, los bordes afilados o los rebotes tienen tendencia enganchar el accesorio que rota y causar pérdida de control o retroceso.

**No instale una hoja de sierra dentada.** Dichas hojas crean retroceso y pérdida de control frecuentes.

**Haga avanzar siempre la broca hacia el interior del material en el mismo sentido en el que el borde de corte esté saliendo del material (que es el mismo sentido en que las virutas son arrojadas).** Si se hace avanzar la herramienta en sentido incorrecto, el resultado será que el borde de corte de la broca se saldrá de la pieza de trabajo y jalará la herramienta en el sentido de este avance.

**Cuando utilice limas rotativas, ruedas tronadoras, cortadores de alta velocidad o cortadores de carburo de tungsteno, tenga siempre la pieza de trabajo sujeta firmemente con una abrazadera.** Estas ruedas se engancharán si se inclinan ligeramente en la ranura y pueden experimentar retroceso. Cuando una rueda tronadora se engancha, generalmente la propia rueda se rompe. Cuando una lima rotativa, un cortador de alta velocidad o un cortador de carburo de tungsteno se engancha, puede saltar de la ranura y usted podría perder el control de la herramienta.

## Normas de seguridad para herramientas giratorias

### ► Advertencias de seguridad específicas para las operaciones de amolado y tronzado con ruedas abrasivas:

Utilice únicamente los tipos de rueda que estén recomendados para su herramienta eléctrica y sólo para las aplicaciones recomendadas. Por ejemplo: no amole con el lado de una rueda tronzadora. Las ruedas tronzadoras abrasivas están diseñadas para realizar amolado periférico; la aplicación de fuerzas laterales a estas ruedas puede hacer que se rompan en pedazos.

Para conos y tapones abrasivos roscados, utilice únicamente mandrines de rueda no dañados, con una pestaña de resalto sin relieve, que tengan el tamaño y la longitud correctos. Los mandrines apropiados reducirán la posibilidad de rotura.

No atore una rueda tronzadora ni aplique una presión excesiva. No intente hacer un corte de profundidad excesiva. Si la rueda se somete a un esfuerzo excesivo, se aumentan la carga y la susceptibilidad a que la rueda se tuerza o se enganche en el corte, así como la posibilidad de retroceso o rotura de la rueda.

No posicione la mano en línea con la rueda que rota ni detrás de ella. Cuando la rueda, en el punto de operación, se esté moviendo alejándose de la mano, el posible retroceso podrá impulsar la rueda que gira y la herramienta eléctrica directamente hacia usted.

Cuando la rueda se esté pellizcando o engancho, o cuando se interrumpa un corte por cualquier motivo, apague la herramienta eléctrica y manténgala inmóvil hasta que la rueda se detenga por completo. No intente nunca retirar la rueda tronzadora del corte mientras la rueda esté en movimiento, ya que de lo contrario podría ocurrir retroceso. Investigue y tome medidas correctivas para eliminar la causa de que la rueda se pellizque o se enganche.

No reinicie la operación de corte en la pieza de trabajo. Deje que la rueda alcance la máxima velocidad y reingrese

cuidadosamente en el corte. La rueda podría atorarse, desviarse o experimentar retroceso si la herramienta eléctrica es rearrancada en la pieza de trabajo.

Soporte los paneles o cualquier pieza de trabajo extragrande para minimizar el riesgo de que la rueda se pellizque y experimente retroceso. Las piezas de trabajo grandes tienden a combarse bajo su propio peso. Se deben colocar soportes debajo de la pieza de trabajo cerca de la línea de corte y cerca del borde de la pieza de trabajo a ambos lados de la rueda.

Tenga precaución extra cuando haga un corte de bolsillo en paredes existentes u otras áreas ciegas. La rueda que sobresale puede cortar tuberías de gas o agua, cables eléctricos u objetos que pueden causar retroceso.

### ► Advertencias de seguridad específicas para las operaciones de cepillado con cepillo de alambre:

Tenga presente que el cepillo lanza cerdas de alambre incluso durante la operación ordinaria. No someta los alambres a un esfuerzo excesivo aplicando una carga excesiva al cepillo. Las cerdas de alambre pueden penetrar fácilmente en la ropa ligera y/o la piel.

Deje que los cepillos giren a la velocidad de funcionamiento durante por lo menos un minuto antes de usarlos. Durante este tiempo nadie debe ubicarse delante del cepillo ni en línea con él. Las cerdas o los alambres que estén flojos se lanzarán durante el tiempo de asentamiento.

Dirija la descarga del cepillo de alambre que gira alejándola de usted. Es posible que se lancen partículas pequeñas y fragmentos diminutos de alambre a alta velocidad durante el uso de estos cepillos y puede que dichas partículas y fragmentos se incrusten en la piel.

## Advertencias de seguridad adicionales

Un GFCI y los dispositivos de protección personal, como guantes de goma y calzado de goma de electricista, mejorarán más su seguridad personal.

**No use herramientas mecánicas con capacidad nominal solamente para CA con una fuente de energía de CC.** Aunque pueda parecer que la herramienta funciona correctamente, es probable que los componentes eléctricos de la herramienta con capacidad nominal para CA fallen y creen un peligro para el operador.

**Mantenga los mangos secos, limpios y libres de aceite y grasa.** Las manos resbalosas no pueden controlar de modo seguro la herramienta mecánica.

**Desarrolle un programa de mantenimiento periódico de la herramienta. Cuando limpie una herramienta, tenga cuidado de no desmontar ninguna de sus partes, ya que los cables internos podrían reubicarse incorrectamente o pellizcarse, o los resortes de retorno de los protectores de seguridad podrían montarse incorrectamente.** Ciertos agentes de limpieza, tales como gasolina, tetracloruro de carbono, amoníaco, etc., podrían dañar las piezas de plástico.

**⚠ ADVERTENCIA** Cierta **polvo generado por el lijado, aserrado, amolado y taladrado mecánicos, y por otras actividades de construcción, contiene agentes químicos que se sabe que causan cáncer, defectos de nacimiento u otros daños sobre la reproducción. Algunos ejemplos de estos agentes químicos son:**

- Plomo de pinturas a base de plomo,
- Sílice cristalina de ladrillos y cemento y otros productos de mampostería, y
- Arsénico y cromo de madera tratada químicamente.

Su riesgo por causa de estas exposiciones varía, dependiendo de con cuánta frecuencia realice este tipo de trabajo. Para reducir su exposición a estos agentes químicos: trabaje en un área bien ventilada y trabaje con equipo de seguridad aprobado, como por ejemplo máscaras antipolvo que estén diseñadas especialmente para impedir mediante filtración el paso de partículas microscópicas.

## Normas de seguridad para cargar

**⚠ ADVERTENCIA** Este manual contiene instrucciones para el adaptador de alimentación modelo 510. Si el adaptador de alimentación no está incluido, cargue la herramienta utilizando un adaptador de alimentación USB de 5 V/1 A como mínimo. Antes de utilizar el adaptador de alimentación, lea todas las instrucciones y marcas de precaución que se encuentran en (1) el adaptador de alimentación y (2) el producto que utiliza la batería.

**Cargue solamente la PawControl 7760-PGK.** Es posible que otros tipos de herramientas inalámbricas revienten y causen lesiones corporales y daños.

**Cargue la herramienta a temperaturas superiores a +32 grados F (0 grados C) e inferiores a +122 grados F (50 grados C).** Almacene la herramienta en ubicaciones donde las temperaturas no excedan 140 grados F (60 grados C). Esto es importante para prevenir daños graves a las celdas de la batería.

**No recargue la herramienta en un entorno húmedo o mojado. No esponga el adaptador de alimentación a la lluvia ni a la nieve.** Si entra agua en el adaptador de alimentación, es posible que el resultado sea descargas eléctricas o incendio.

**Se puede producir un escape del líquido de las baterías bajo condiciones extremas de uso o de temperatura. Evite el contacto con la piel y los ojos.** El líquido de la batería es cáustico y podría causar quemaduras químicas en los tejidos. Si el líquido entra en contacto con la piel, lávela rápidamente con agua y jabón. Si el líquido entra en contacto con los ojos, enjuáguelos con agua durante un mínimo de 10 minutos y obtenga atención médica.

**Coloque la herramienta sobre superficies planas ininflamables y alejada de materiales inflamables cuando la recargue.** Las alfombras y otras superficies termoaislantes bloquean la circulación de aire adecuada, lo cual es posible que cause sobrecalentamiento del adaptador de alimentación y la herramienta. Si se observa humo o derretimiento del adaptador de alimentación o de la herramienta, desenchufe inmediatamente el cargador y no utilice la herramienta ni el cargador. Contacte de inmediato a servicio al cliente.

**Asegúrese de que el cable USB esté ubicado de manera que no se pueda pisar ni tropezar con él, ni que pueda sufrir daños o someterse a esfuerzo de alguna**

**otra manera.** Es posible que un cable y un enchufe dañados causen descargas eléctricas e incendio.

**Desconecte la herramienta del adaptador de alimentación jalando el enchufe en lugar del cable. No utilice el adaptador de alimentación con un cable o un enchufe USB dañado; haga que sean reemplazados inmediatamente.** Es posible que un enchufe o un cable dañados causen descargas eléctricas o incendio.

**No desensamble el adaptador de alimentación ni utilice dicho adaptador si ha recibido un golpe fuerte, se ha caído o se ha dañado de alguna otra manera.** Es posible que un reensamblaje incorrecto o los daños causen descargas eléctricas o incendio.

**Antes de cada uso, compruebe la fuente de alimentación, el cable y el enchufe USB. Si se detectan daños, no utilice el adaptador de alimentación. No abra nunca el adaptador de alimentación usted mismo, llévelo a un Centro de Servicio de Fábrica Dremel o a un técnico de servicio calificado que utilice únicamente piezas de repuesto originales.** Es posible que un reensamblaje incorrecto cause descargas eléctricas o incendio.

**No utilice aditamentos no recomendados o no vendidos por Dremel.** La utilización de aditamentos no recomendados puede causar descargas eléctricas o incendio.

**del adaptador de alimentación cuando la batería colocada en la herramienta esté completamente cargada.** Si se deja la herramienta enchufada en el adaptador de alimentación por un período de tiempo prolongado, el resultado podría ser daños a la herramienta e incendio.

**Desenchufe el adaptador de alimentación del tomacorriente antes de almacenar la herramienta o intentar realizar cualquier mantenimiento o limpieza.** Dichas medidas preventivas de seguridad reducen el riesgo de descargas eléctricas o incendio.

**Mantenga limpio el adaptador de alimentación y limpiando la carcasa del adaptador con un paño húmedo.** La contaminación puede causar descargas eléctricas o incendio.

**Reemplace el paquete de batería si se observa un descenso sustancial del tiempo de funcionamiento por carga.** Es posible que el paquete de batería se esté acercando al final de su vida útil.

## Normas de seguridad para cargar

### ► Cuidado de las baterías

**⚠ ADVERTENCIA** Cuando las baterías no estén en la herramienta, manténgalas alejadas de los objetos metálicos. Por ejemplo, para evitar que los terminales hagan cortocircuito, **NO** ponga las baterías en una caja de herramientas o en un bolsillo con clavos, tornillos, llaves, etc. Se puede producir un incendio o lesiones.

**NO ARROJE LAS BATERÍAS AL FUEGO NI LAS EXPONGA AL CALOR INTENSO.** Pueden explotar.

**Es posible que ocurra alguna fuga de la batería en casos de uso extremo o en condiciones de temperatura extremas. Evite el contacto con la piel y los ojos.** El líquido de la batería es caustico y podría causar quemaduras químicas en los tejidos. Si el líquido entra en contacto con la piel, lávela rápidamente con agua y jabón. Si el líquido entra en contacto con los ojos, enjuáguelos con agua durante un mínimo de 10 minutos y obtenga atención médica.

### ► Eliminación de las baterías

**⚠ ADVERTENCIA** No intente desmontar la herramienta ni retirar ningún componente que sobresalga de la misma. Se pueden producir lesiones o un incendio. Antes de tirarla, proteja las terminales que están al descubierto con cinta adhesiva aislante gruesa para prevenir cortocircuitos.

### ▼ BATERÍAS DE IONES DE LITIO

Si este producto está equipado con una batería de iones de litio, dicha batería debe recogerse, reciclarse o eliminarse de

manera segura para el medio ambiente.







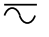


“El sello de reciclaje de baterías RBRC certificado por la EPA que se encuentra en la batería de iones de litio (Li-ion) indica que Robert Bosch Tool Corporation está participando voluntariamente en un programa de la industria para recoger y reciclar estas baterías al final de su vida útil, cuando se retiran de servicio en los Estados Unidos y Canadá. El programa RBRC proporciona una alternativa conveniente a tirar las baterías de Li-ion usadas a la basura o a la corriente municipal de aguas residuales, lo cual quizás sea ilegal en su área.

Tenga la amabilidad de llamar al 1-800-8-BATTERY para obtener información acerca de las prohibiciones/restricciones sobre el reciclaje y la eliminación de baterías de Li-ion en su lugar o devuelva las baterías a un Centro de servicio Bosch/Dremel para reciclarlas. La participación de Robert Bosch Tool Corporation en este programa es parte de nuestro compromiso hacia preservar nuestro medio ambiente y conservar nuestros recursos naturales.”

**⚠ ADVERTENCIA** No abra la herramienta ni intente retirar la batería de la herramienta. Deseche la herramienta a través de su autoridad local de eliminación de residuos o un Centro de Servicio Bosch/Dremel.

## Símbolos

**Importante:** Es posible que algunos de los símbolos siguientes se usen en su herramienta. Por favor, estúdielos y aprenda su significado. La interpretación adecuada de estos símbolos le permitirá utilizar la herramienta mejor y con más seguridad.

Símbolo	Désignación / Explicación
V	Volt (tensión)
A	Ampere (corriente)
Hz	Hertz (frecuencia, ciclos por segundo)
W	Watt (potencia)
kg	Kilogramo (peso)
min	Minuto (tiempo)
s	Segundo (tiempo)
∅	Diámetro (tamaño de las brocas taladradoras, muelas, etc)
$n_0$	Velocidad sin carga (velocidad rotacional sin carga)
n	Velocidad nominal (máxima velocidad obtenible)
.../min	Revoluciones o alternación por minuto (revoluciones, golpes, velocidad de superficie, órbitas, etc., por minuto)
0	Posición "off" (velocidad cero, par motor cero...)
1, 2, 3, ... I, II, III,	Graduaciones del selector (graduaciones de velocidad, par motor o posición. Un número más alto significa mayor velocidad)
	Selector infinitamente variable con apagado (la velocidad aumenta desde la graduación de 0)
	Flecha (Acción en la dirección de la flecha)
	Corriente alterna (tipo o una característica de corriente)
	Corriente continua (tipo o una característica de corriente)
	Corriente alterna o continua (tipo o una característica de corriente)
	Construcción de clase II (designa las herramientas de construcción con aislamiento doble)
	Terminal de toma de tierra (terminal de conexión a tierra)

## Símbolos

**Importante:** Es posible que algunos de los símbolos siguientes se usen en su herramienta. Por favor, estúdielos y aprenda su significado. La interpretación adecuada de estos símbolos le permitirá utilizar la herramienta mejor y con más seguridad.

Símbolo	Désignación / Explicación
	Alerta al usuario para que lea el manual.
	Alerta al usuario para que use protección de los ojos.
	Este símbolo indica que esta herramienta está catalogada por Underwriters Laboratories.
	Este símbolo indica que este componente está reconocido por Underwriters Laboratories.
	Este símbolo indica que Underwriters Laboratories ha catalogado esta herramienta indicando que cumple con las normas estadounidenses y canadienses.
	Este símbolo indica que esta herramienta está catalogada por la Canadian Standards Association.
	Este símbolo indica que la Canadian Standards Association ha catalogado esta herramienta indicando que cumple con las normas estadounidenses y canadienses.
	Este símbolo indica que Intertek Testing Services ha catalogado esta herramienta indicando que cumple con las normas estadounidenses y canadienses.
	Este símbolo indica que esta herramienta cumple con la norma mexicana oficial (NOM).
	Este símbolo indica que Underwriters Laboratories ha verificado que este producto cumple con los estándares de eficiencia energética del Departamento de Recursos Naturales de Canadá.
	Designa el programa de reciclaje de baterías de Li-ion.



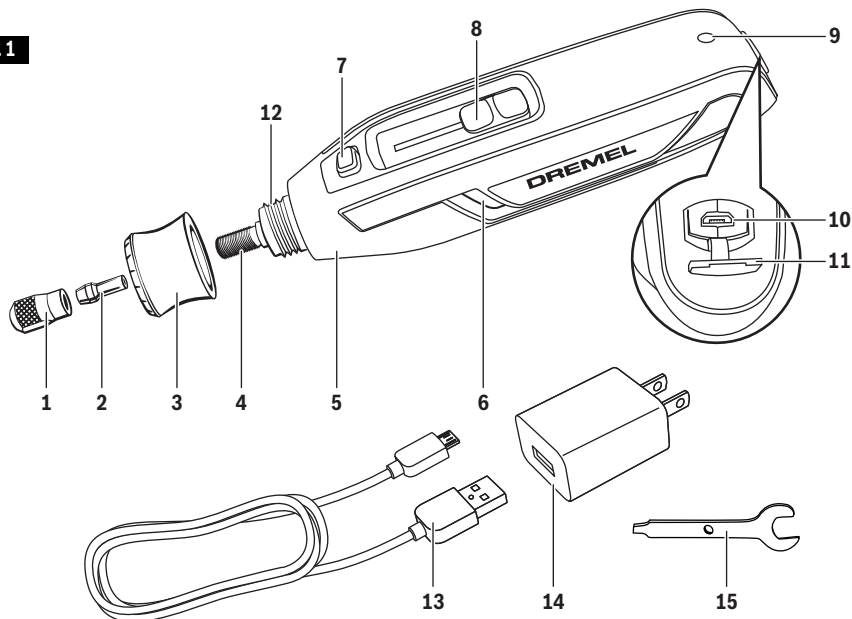
## Descripción funcional y especificaciones

**ADVERTENCIA** Las herramientas accionadas por baterías se encuentran siempre en condiciones de funcionamiento. Conozca los posibles peligros.

GUARDE ESTAS INSTRUCCIONES

### Herramienta giratoria inalámbrica PawControl 7760-PGK

Fig. 1



- 1 Tuerca del portaherramienta
- 2 Portaherramienta
- 3 Llave de tuerca integrada / tapa de punta ez TWIST™
- 4 Eje
- 5 Superficie de agarre con aislamiento
- 6 Aberturas de ventilación
- 7 Botón de fijación del eje
- 8 Interruptor de encendido y apagado y dial de velocidad
- 9 Indicador de carga de la batería
- 10 Puerto micro USB
- 11 Cubierta del puerto micro USB
- 12 Punta roscada
- 13 Cable USB
- 14 Adaptador de alimentación\*
- 15 Llave de tuerca para el portaherramienta\*

\* No se incluye en todos los kits

Número de modelo . . . . .7760-PGK  
 Voltage rating . . . . .3,6V / 4V  $\text{---}$  Max  
 Velocidad nominal (n) . . . . .8 000–25 000/min  
 Capacidad del portaherramienta . . . . .0,8, 1,6, 2,4, 3,2 mm  
 Temperatura ambiente permitida  
 - durante el proceso de carga . . . . .32...113 °F (0...+45 °C)  
 - durante la utilización / almacenamiento . . . . .-4...122 °F (-20...+50 °C)

#### Adaptador de alimentación

Número de modelo . . . . .510  
 Tensión nominal . . . . .120V  $\sim$  60 Hz  
 Amperaje nominal . . . . .1A

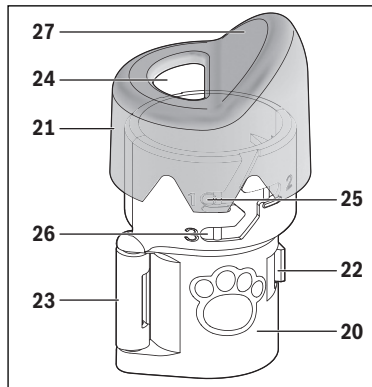
#### Batería

Química . . . . .Li-ion  
 Capacidad . . . . .1,5 Ah  
 Tiempo de carga . . . . .2 h 45 m

## Descripción funcional y especificaciones

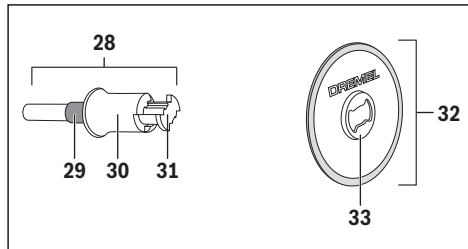
### ► Aditamento para arreglar uñas de animales domésticos AT01-PGA

- 20** Carcasa del aditamento
- 21** Tapa transparente
- 22** Presilla
- 23** Bisagra
- 24** Abertura para el disco de lijar
- 25** Lengüeta (parte de la tapa transparente)
- 26** Guía de profundidad
- 27** Rampa



### ► Mandril EZ Lock™ EZ402 y Disco de lijar SD60-PGA

- 28** Mandril EZ Lock™ EZ402
- 29** Espaciador azul
- 30** Manguito accionado por resorte
- 31** Interfaz de corbatín
- 32** Disco de lijar SD60-PGA
- 33** Interfaz de corbatín



## Procedimiento de carga de la herramienta

La Dremel PawControl 7760-PGK no viene completamente cargada de la fábrica. Asegúrese de cargar la herramienta antes de su uso inicial.

- Inserte el cable USB **13** en el puerto USB del adaptador de alimentación **14** (Fig. 1). Si el adaptador de alimentación no está incluido, cargue la herramienta utilizando un adaptador de alimentación USB de 5V/1A como mínimo.
- Enchufe el adaptador de alimentación **14** en un tomacorriente estándar.
- Abra la cubierta del puerto micro USB **11** e inserte el enchufe micro USB en el puerto micro USB **10**.

El indicador de carga de la batería **9** indica el proceso de carga. Durante dicho proceso, el indicador estará encendido en color verde. La batería estará totalmente cargada cuando la luz indicadora se apague. El tiempo de carga es de aproximadamente 2 horas y 45 minutos.

Es normal que el mango de la herramienta se caliente durante el proceso de carga.

**Nota:** la función de carga se detiene mientras la herramienta está en funcionamiento y se reanuda de nuevo después de apagar la herramienta.

Cuando la herramienta esté completamente cargada, desconecte de la herramienta el extremo micro USB del cable **13** y cierre la cubierta **11**.

Desenchufe el adaptador de alimentación del tomacorriente (a menos que esté cargando otra herramienta).

### ► Indicador de carga de la batería

Esta herramienta está equipada con un indicador de carga **9** que le muestra a usted cuánta carga tiene la batería. Cuando la luz esté roja, la batería estará casi vacía. Nota: Es posible que la luz roja también indique que la herramienta se está parando. Consulte "Monitoreo electrónico" en la página 99.

Cuando la batería esté agotada, la herramienta se apagará automáticamente. Esto será una parada repentina, en contraposición a una

reducción gradual de la velocidad de la herramienta. Simplemente recargue la herramienta.

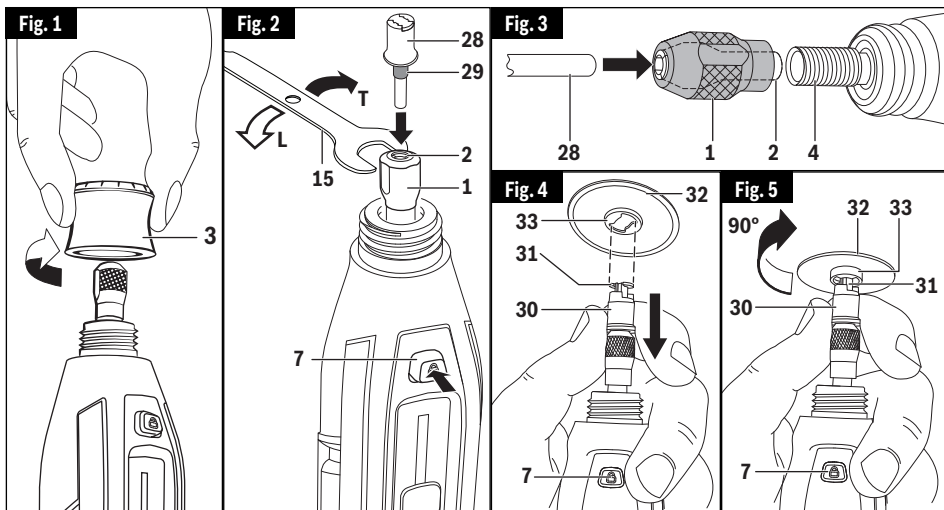
### ► Notas importantes para cargar

- La batería de iones de litio conservará su carga mientras esté almacenada durante hasta 2 años, por lo que siempre está lista cuando usted la necesita.
- El adaptador de alimentación se diseñó para cargar rápidamente la batería solamente cuando la temperatura de la batería esté entre 32 °F (0 °C) y 122 °F (50 °C).
- Un descenso considerable en el tiempo de funcionamiento por carga puede significar que el paquete de baterías se está acercando al final de su vida y que debe ser sustituido. Para hacer servicio de ajustes y reparaciones de su herramienta, sírvase contactar a Dremel llamando al 1-800-437-3635.
- Si la batería no carga adecuadamente:
  - a. Compruebe que hay tensión en el tomacorriente enchufando algún otro dispositivo eléctrico.
  - b. Compruebe si el tomacorriente está conectado a un interruptor de luz que corta el suministro de energía cuando se apagan las luces.
  - c. Compruebe si hay polvo en los terminales USB. Límpielos con un bastoncillo de algodón y alcohol si es necesario.
  - d. Compruebe si el cable USB está conectado adecuadamente a la herramienta y el adaptador de alimentación.
  - e. Si sigue sin lograr que el proceso de carga sea correcto, envíe la herramienta y el adaptador de alimentación a su Centro de Servicio Dremel.

**Nota:** El uso de adaptadores de alimentación o paquetes de batería no vendidos por Dremel podrá anular la garantía.

## Instrucciones de ensamblaje para arreglar uñas de animales domésticos

**⚠ ADVERTENCIA** Desconecte el paquete de baterías de la herramienta o ponga el interruptor en la posición fijada o de apagado antes de hacer cualquier ensamblaje, ajustes o cambiar accesorios. Dichas medidas preventivas de seguridad reducen el riesgo de arrancar la herramienta accidentalmente.



### ► Para cargar el mandril:

- Desenrosque y retire la tapa de punta **3** de la herramienta girándola en sentido contrario al de las agujas del reloj hasta que se separe de la herramienta (Fig. 1).
- Para aflojar la tuerca del portaherramienta, presione primero el botón de fijación del eje **7** y rote a mano la tuerca del portaherramienta **1** hasta que el cierre acople el eje e impida su rotación adicional (Fig. 2).

**⚠ PRECAUCIÓN** No acople el cierre del eje mientras la herramienta esté en funcionamiento.

- Con el cierre del eje **7** acoplado, afloje la tuerca del portaherramienta **1** (gírela en sentido contrario al de las agujas del reloj **L**). Si es necesario, utilice la llave de tuerca **15**. La tuerca del portaherramienta debe estar enroscada flojamente cuando se inserte un accesorio (Fig. 2).
- Inserte el mandril EZ Lock™ **28** en el portaherramienta **2** (Fig. 2).

**⚠ PRECAUCIÓN** Asegúrese de que el espaciador azul **5** ubicado en el mandril toque fondo en

la tuerca del portaherramienta, ajustando el mandril a la profundidad correcta. Si no se ajusta el mandril a la profundidad correcta, el resultado puede ser daños al aditamento.

- Con el cierre del eje **7** acoplado, apriete firmemente la tuerca del portaherramienta **1** (gírela en el sentido de las agujas del reloj **T**) con la llave de tuerca **15** (Fig. 2).

**Nota:** Si el mandril EZ Lock™ no encaja en el portaherramienta, es posible que el portaherramienta esté atorado dentro de la tuerca del portaherramienta. Si esto sucede, retire la tuerca del portaherramienta de la herramienta, para lo cual deberá continuar girándola en sentido contrario al de las agujas del reloj. Si el portaherramienta no se separa de la tuerca del portaherramienta al retirarlo de la herramienta, empuje el vástago del mandril EZ Lock™ **28** hacia el interior del agujero de la tuerca del portaherramienta **1**. Esto debería hacer que el portaherramienta **2** salga de la tuerca del portaherramienta **1**. Efectúe el reensamblaje colocando el portaherramienta **2** dentro del eje de salida **4** y girando la tuerca del

## Instrucciones de ensamblaje para arreglar uñas de animales domésticos

portaherramienta **1** en el sentido de las agujas del reloj sobre el portaherramienta para apretarlo de vuelta sobre el eje de salida **4** (Fig. 3).

### ► Para cargar el disco de lijar:

- Jale el manguito accionado por resorte **30** HACIA ABAJO, hacia la herramienta, con una mano, y manténgalo en esa posición. Puede apoyar la herramienta en el cuerpo o sobre un banco de trabajo para hacer palanca adicional (Fig. 4).
- Con la otra mano, alinee la interfaz de corbatín **31** ubicada en el mandril con la interfaz de corbatín de metal **33** ubicada en la parte inferior del disco de lijar **32** (Fig. 4).
- Coloque el disco de lijar en el mandril hasta un punto justo debajo del corbatín ubicado en el mandril **31** y gírelo 90 grados hasta que la interfaz de corbatín **33** ubicada en el disco de lijar **32** se alinee con el manguito **30**. Suelte el manguito **30**. El disco de lijar **32** debería quedar sujeto en la posición correcta (Fig. 5).

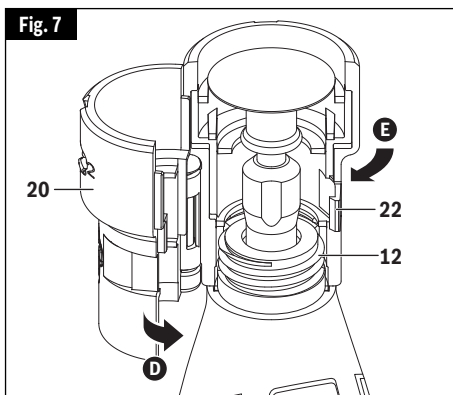
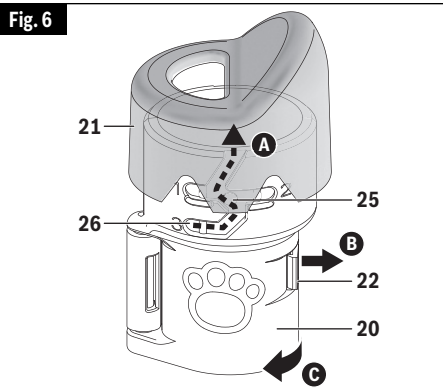
**⚠ ADVERTENCIA** Es posible que un asentamiento incorrecto del disco de lijar sobre el mandril cause lesiones corporales o daños materiales. Para comprobar si el asentamiento es correcto, mantenga presionado el botón de fijación del eje **7** y gire el disco de lijar **32**. El disco de lijar **32** no podrá rotar sobre el mandril.

### ► Para descargar el disco de lijar:

- Jale el manguito accionado por resorte **30** HACIA ABAJO, hacia la herramienta, con una mano (Fig. 5).
- Sujete el manguito **30** hacia abajo mientras gira el disco de lijar **32** 90 grados (Fig. 5).
- Retire el disco de lijar **32** (Fig. 5).

### ► Para instalar el aditamento protector de uñas:

**Nota:** Asegúrese de que el mandril y el disco de lijar estén montados



correctamente antes de montar el aditamento.

- Retire la tapa transparente **21** del aditamento haciendo pasar los pomos pequeños **25**, ubicados en el interior de la tapa transparente, hacia arriba a lo largo de la guía de ajuste de la altura **26** hasta que lleguen a la abertura guiada (Fig. 6).
- Desbloquee la presilla **22**.
- Abra el aditamento **20** (Fig. 6).
- Posicione el aditamento **20** alrededor de la punta roscada de la herramienta **12** y cierre el aditamento juntándolo hasta que la presilla **22** esté completamente acoplada (Fig. 7).
- Gire todo el aditamento **20** en el sentido de las agujas del reloj hasta la posición correcta sobre la punta roscada **12**. Asegúrese de que esté apretado firmemente para que no

## Instrucciones de ensamblaje para arreglar uñas de animales domésticos

- cambie de posiciones durante el uso (Fig. 7).
- F.** Reinstale la tapa transparente **21** (simplemente realice el paso **A** en orden inverso).
- G.** Gire la tapa transparente de manera que los pomos pequeños estén totalmente al final de la ranura **26** (junto al número "3") del aditamento. Usted oír como la tapa se acopla a

presión con un clic en la posición correcta cuando esté completamente instalada. No fuerce la tapa transparente para sacarla de las guías (Fig. 6).

**Nota:** Consulte el manual del aditamento AT01-PGA en el sitio web de Dremel para obtener información adicional relacionada con la compatibilidad de dicho aditamento.

## Instrucciones de utilización para arreglar uñas

**⚠ ADVERTENCIA** **Siga todas las advertencias e instrucciones de seguridad cuando utilice la herramienta rotativa.** Si no se siguen los procedimientos recomendados, el resultado podría ser lesiones corporales o daños materiales.

### ► ¿Por qué usar una herramienta rotativa Dremel para arreglar uñas de animales domésticos?

Las tijeras y los cortaúñas tipo guillotina aplican presión y pellizcan la uña, lo cual puede ser incómodo para los dedos y los pies de los animales domésticos. Además, al recortar las uñas se aumenta la probabilidad de cortar la vía de suministro interno de sangre a la uña, que se conoce como la raíz; la acción de amolado es más gradual y más controlada. Si se mella la raíz usando una herramienta rotativa, generalmente el corte será más pequeño y se curará más rápidamente que un corte hecho con un cortaúñas.

### ► Antes de comenzar

Arreglar las uñas de un animal doméstico por primera vez puede ser una experiencia preocupante tanto para el animal como para su dueño. Tenga la seguridad de que el arreglo de las uñas no tiene que ser una experiencia estresante. Al comenzar pronto y considerar que el arreglo de las uñas forma parte del adiestramiento del animal, éste se acostumbrará a la experiencia.

Primero, entrene a su animal doméstico

para que se sienta cómodo con que le toquen y manipulen las patas antes de exponerlo a la herramienta rotativa. Una manera de hacer esto es masajearle las piernas, las patas y los dedos individuales unos cuantos minutos por lo menos una vez al día. Después, cree una asociación positiva con esta experiencia recompensando a su animal doméstico con su golosina favorita.

Luego, ayude a su animal a acostumbrarse gradualmente a la herramienta rotativa. Deje que el animal huela la herramienta mientras está apagada. Luego, mientras sostiene la herramienta en la mano, deje que su animal doméstico oiga el sonido que la herramienta hace al encenderla. Idealmente, haga que el animal se siente o se acueste sobre un lado mientras usted sostiene la herramienta en la mano y la tiene en marcha. Progrese gradualmente hasta hacer que las uñas de su animal doméstico toquen el disco de lijar que rota durante menos de un segundo. No amuele todavía las uñas; simplemente deje que su animal doméstico se familiarice con la herramienta. Durante todo el proceso de aclimatación, siga felicitando a su animal doméstico y recompense su buena conducta con una golosina. Es posible que este proceso tome unos cuantos días o semanas. En poco tiempo tanto usted como su animal doméstico podrán relajarse e incluso disfrutar del tiempo que comparten para arreglar las uñas.

### ► Nail Anatomy

Las uñas/garras que contienen vasos

## Instrucciones de utilización para arreglar uñas

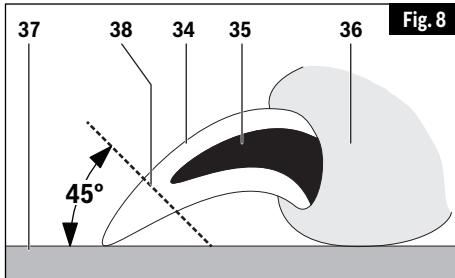


Fig. 8

- |                |                   |
|----------------|-------------------|
| 34 Uña / garra | 37 Piso           |
| 35 Raíz        | 38 Línea de corte |
| 36 Pata        |                   |

sanguíneos de raíz que se describen en esta sección son relevantes para varios tipos de animales domésticos, incluyendo perros y gatos.

Antes de recortar las uñas de su animal doméstico, usted tendrá que identificar la raíz. En el diagrama (Fig. 8) se muestra la anatomía básica de la uña de un animal doméstico. La uña exterior es dura y no tiene sensación debido a que no tiene terminaciones nerviosas. El núcleo de la uña es la raíz. Está formado por diminutos vasos sanguíneos y terminaciones nerviosas y es muy sensible. La raíz es una vena que "alimenta" a la uña. Si usted corta la raíz mientras está recortando una uña, ésta comenzará a sangrar.

Las uñas de color claro son a menudo lo suficientemente transparentes como para permitirle ver el núcleo rosado de la raíz. Es posible que las uñas de color oscuro no le permitan ver dónde está ubicada la raíz. Es posible que los animales domésticos tengan uñas de color tanto claro como oscuro que le permitan a usted estimar la longitud de la raíz.

En el diagrama también se muestra un estimado del ángulo adecuado con el que recortar las uñas de un animal doméstico. Una regla práctica para el ángulo adecuado es 45 grados hacia arriba desde la parte inferior de la pata. El ángulo apropiado podrá variar de acuerdo con los deseos del dueño del animal doméstico o con la anatomía especial de dicho animal. Recorte las uñas de manera que casi toquen el piso cuando su animal doméstico esté caminando.

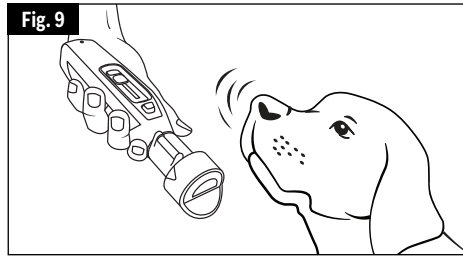


Fig. 9

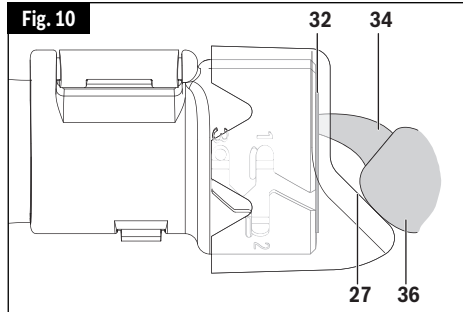


Fig. 10

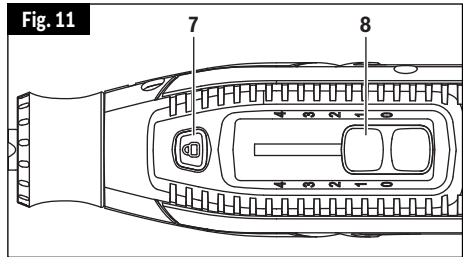


Fig. 11

### ► El proceso de arreglar uñas de animales domésticos

**⚠ PRECAUCIÓN** Use sólo el método de "empuñadura de golf" o "empuñadura con la mano" para agarrar la herramienta. No agarre nunca la herramienta por el aditamento. Si agarra la herramienta por el aditamento, el resultado podría ser que se desplace inesperadamente, causando pérdida de control (Fig. 9).

Coloque la pata del animal doméstico 36 sobre la rampa 27 de manera que la uña 34 esté cerca del disco de lijar 32 pero no lo toque (Fig. 10).

La herramienta se controla por medio del interruptor de encendido y apagado/velocidad azul 8 ubicado en el lado superior de la parte entrante de la carcasa (Fig. 11).

PARA ENCENDER LA HERRAMIENTA, deslice suavemente el interruptor 8

## Instrucciones de utilización para arreglar uñas

hacia arriba con el dedo pulgar. La herramienta comenzará a funcionar a una velocidad de 8.000 RPM (Posición "1").

**⚠ ADVERTENCIA** La velocidad de funcionamiento máxima recomendada para la mayoría de aplicaciones de acicalamiento de animales domésticos es 10.000/min. La posición de velocidad recomendada es la "1". Es posible que el grosor de la uña y otros factores requieran el uso de velocidades más altas. Tenga precaución extrema cuando utilice la herramienta a velocidades más altas y limite la cantidad de tiempo que la uña está expuesta a la superficie de lijado.

Es posible que el uso de velocidades de funcionamiento más altas cause acumulación de calor y lesiones al animal doméstico. Monitoree siempre al animal doméstico por si aparecen señales de molestias y detenga la operación si se observan dichas señales. Sostenga el dedo y la uña de su animal doméstico en una mano mientras utiliza la herramienta rotativa en la otra mano. Esto es más cómodo para su animal, ya que reduce la vibración en la pata. Si se empuja suavemente sobre la parte inferior de la almohadilla de la pata se extiende ligeramente la uña para poder arreglarla más fácilmente.

Es importante dejar que la velocidad de la herramienta rotativa haga el trabajo; no aplique nunca presión a la uña con el disco de lijar que gira. Es posible que la presión haga que la uña se caliente demasiado, lo cual le causará molestias a su animal doméstico. El disco de lijar que gira de la herramienta rotativa no se debería mantener contra la uña más de tres segundos a la vez. En lugar de concentrarse en completar una uña a la vez, se recomienda recortar brevemente cada uña de una pata y luego de la otra, en varias pasadas. Esto deja tiempo para que las uñas se enfríen. Usted podrá repetir este proceso según sea necesario. Recorte las uñas de manera que casi toquen el piso cuando su animal doméstico esté caminando.

Apague la herramienta deslizando el interruptor de la herramienta **8** hasta la posición "0" (Fig. 11).

### ► Consejos de seguridad para animales domésticos

Es posible que algunos animales domésticos se pongan nerviosos en presencia de la herramienta, por lo que lo mejor es sujetar firmemente a su animal doméstico. El operador necesitará las dos manos para arreglar las uñas, por lo que puede que sea útil tener a otra persona para que le ayude a sujetar a su animal.

Si el pelo se engancha accidentalmente en la herramienta rotativa, apague inmediatamente la herramienta y desenrede el pelo de la herramienta. En el caso de animales domésticos que tengan el pelo especialmente largo, use una media vieja para cubrir el dedo, el pie y la pata del animal y aisle la uña. Empuje la uña hacia fuera a través de una abertura pequeña en la punta de la media para arreglar la uña. Mantenga a mano polvo estíptico por si el animal sangra. El polvo estíptico está disponible en la mayoría de las tiendas de productos para animales domésticos. Siga las instrucciones indicadas en el paquete para el uso correcto del producto.

### ► Limpieza del aditamento para arreglar uñas de animales domésticos

Retire el aditamento para arreglar uñas de animales domésticos de la herramienta rotativa según sea necesario para eliminar todo el polvo o residuo de uñas que tenga. Lave sólo el aditamento con agua templada y séquelo completamente con un paño limpio antes de reinstalarlo en la herramienta rotativa.



## Instrucciones de ensamblaje para aplicaciones distintas a arreglar uñas de animales domésticos

**⚠ ADVERTENCIA** Asegúrese siempre de que la herramienta esté en la posición “apagado” antes de cambiar accesorios, cambiar portaherramientas o realizar servicio de ajustes y reparaciones de la herramienta giratoria inalámbrica.

La herramienta rotativa PawControl 7760-PGK también se puede utilizar con una variedad de accesorios Dremel que la transformarán en una talladora, una amoladora, una pulidora, una lijadora, un cortador, un cepillo eléctrico, un taladro y mucho más.

Primero, invierta los pasos de ensamblaje de las páginas 91 – 93 para retirar el aditamento para arreglar uñas de animales domésticos y el mandril EZ Lock™, y reinstale la tapa de punta.

### ► Portaherramientas

Los accesorios Dremel, tales como las brocas de grabadora, las piedras de amolar y los mandriles, se montan en la herramienta utilizando el sistema de portaherramienta y tuerca del portaherramienta.

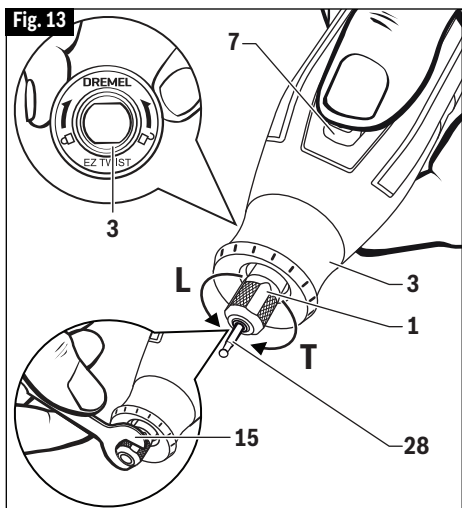
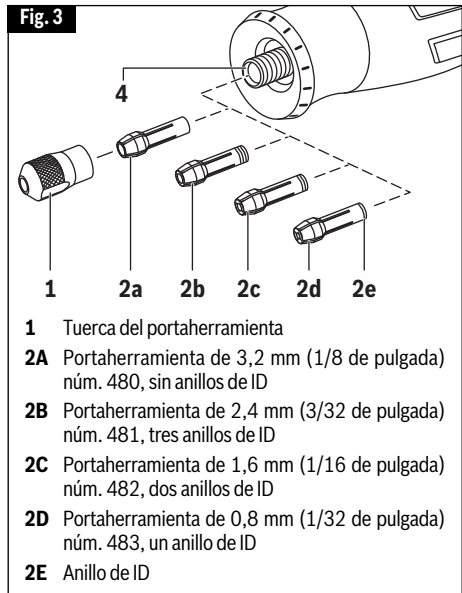
La herramienta rotativa PawControl 7760-PGK viene con el portaherramienta de 1/8 de pulgada Núm. 480. También hay otros tres portaherramientas para acomodar accesorios de diámetro más pequeño. Los anillos de identificación (ID) le ayudarán a escoger el portaherramienta adecuado para sus brocas (Fig. 12).

Para aflojar la tuerca del portaherramienta **1**, presione primero el botón de fijación del eje **7** y rote a mano la tuerca del portaherramienta en sentido contrario al de las agujas del reloj (**L**) hasta que el cierre acople el eje e impida su rotación adicional (Fig. 13).

**⚠ PRECAUCION** No acople el cierre mientras la herramienta giratoria está en marcha.

Con el cierre del eje **7** acoplado, utilice la llave de tuerca integrada / tapa de punta EZ TWIST™ **3** o la llave de tuerca para el portaherramienta **15** para aflojar (gírela en sentido contrario al de las agujas del reloj, **L**) la tuerca del portaherramienta **1** (Fig. 13). La tuerca del portaherramienta debe estar enroscada flojamente cuando se introduzca un accesorio.

Cambie accesorios introduciendo el nuevo accesorio en el portaherramienta



hasta donde se pueda para minimizar el descentramiento y el desequilibrio. Con el cierre del eje **7** acoplado, apriete firmemente la tuerca del portaherramienta **1** (gírela en el sentido de las agujas del reloj, **T**) con la llave de

## Instrucciones de ensamblaje para aplicaciones distintas a arreglar uñas de animales domésticos

tuerca **15** o la llave de tuerca integrada/tapa de punta EZ TWIST™ **3** (Fig. 13). **Evite apretar excesivamente la tuerca del portaherramienta cuando no haya una broca introducida.**

**⚠ PRECAUCIÓN** Utilice siempre el portaherramienta que corresponda al tamaño del cuerpo del accesorio que usted piensa utilizar. Nunca intente introducir a la fuerza en un portaherramienta un cuerpo de diámetro más grande que el que pueda aceptar dicho portaherramienta.

Para instalar un portaherramienta distinto, desenrosque completamente la tuerca del portaherramienta **1** y retire el portaherramienta viejo **2**. Inserte el extremo no ranurado del portaherramienta en el agujero ubicado en el extremo del eje de la herramienta **4**. Reinstale la tuerca del portaherramienta en el eje (Fig. 12). **Nota:** La mayoría de los juegos de herramienta giratoria no incluyen los cuatro tamaños de portaherramienta.

### ▼ LIBERACIÓN DE PORTAHERRAMIENTAS ATORADOS

Es posible que un portaherramienta se atore dentro de la tuerca del portaherramienta, especialmente si dicha tuerca está apretada en la herramienta sin que haya una broca instalada en la misma. Si esto sucede, retire la tuerca del portaherramienta de la herramienta, para lo cual deberá continuar girándola en sentido contrario al de las agujas del reloj. Si el portaherramienta no se separa de la tuerca del portaherramienta al retirarlo de la herramienta, empuje el vástago del

mandril EZ Lock™ **28** hacia el interior del agujero de la tuerca del portaherramienta **1**. Esto debería hacer que el portaherramienta **2** salga de la tuerca del portaherramienta **1**. Efectúe el reensamblaje colocando el portaherramienta **2** dentro del eje de salida **4** y girando la tuerca del portaherramienta **1** en el sentido de las agujas del reloj sobre el portaherramienta para apretarlo de vuelta sobre el eje de salida **4** (Fig. 5).

### ► Equilibrado de accesorios

Para realizar trabajo de precisión es importante que todos los accesorios se encuentren bien equilibrados (de manera muy parecida a las gomas de su automóvil). Para nivelar o equilibrar un accesorio, afloje ligeramente la tuerca del portaherramienta y haga girar el accesorio o el portaherramienta 1/4 de vuelta. Vuelva a apretar la tuerca del portaherramienta y ponga en marcha la herramienta giratoria. El sonido y la sensación del accesorio deberán permitirle saber si éste está funcionando de manera equilibrada. Siga realizando ajustes de esta manera hasta lograr el mejor equilibrio. Para mantener equilibradas las fresas abrasivas, antes de cada utilización, con la fresa fijada de manera segura en el portaherramienta, encienda la herramienta giratoria y haga funcionar la piedra de reacondicionamiento 415 apoyándola ligeramente contra la fresa que gira. Esto quita las partes que sobresalen y nivela la fresa para que ésta quede bien equilibrada.

## Instrucciones de uso para aplicaciones distintas a arreglar uñas de animales domésticos

**⚠ ADVERTENCIA** Siga todas las advertencias e instrucciones de seguridad cuando utilice la herramienta rotativa. Si no se siguen los procedimientos recomendados, el resultado podría ser lesiones corporales o daños materiales.

### ► Introducción a la herramienta giratoria sin cordón

La herramienta giratoria sin cordón pone en la mano del usuario potencia a alta velocidad. Sirve de talladora, amoladora, pulidora, lijadora, cortadora, cepillo mecánico, taladro y más.

La herramienta giratoria sin cordón tiene un pequeño y potente motor eléctrico, se agarra cómodamente con la mano y está hecha para aceptar una amplia variedad de accesorios, incluyendo ruedas abrasivas, brocas taladradoras, cepillos de alambre, pulidores, cortadores para grabar, brocas para fresar y ruedas de corte. Los accesorios vienen en formas diversas y le permiten a usted realizar varios trabajos diferentes. A medida que se vaya familiarizando con la gama de accesorios y sus usos, irá dándose cuenta de la gran versatilidad de la herramienta giratoria sin cordón. Descubrirá docenas de usos en los que no había pensado hasta ahora.

El verdadero secreto de la herramienta giratoria sin cordón es su velocidad. Para entender las ventajas que ofrece su alta velocidad, usted ha de saber que el taladro eléctrico portátil estándar funciona a velocidades de hasta 2,800 revoluciones por minuto. El taladro

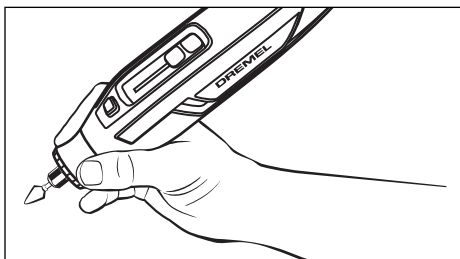
eléctrico típico es una herramienta de baja velocidad y par motor alto; la herramienta giratoria sin cordón es justo lo contrario — una herramienta de alta velocidad y par motor bajo. La diferencia principal para el usuario es que en las herramientas de alta velocidad, la velocidad combinada con el accesorio montado en el porta-herramienta realiza el trabajo. Usted no tiene que ejercer presión sobre la herramienta, sino simplemente sujetarla y guiarla. En las herramientas de baja velocidad, usted no sólo tiene que guiar la herramienta, sino que además tiene que ejercer presión sobre ella, tal como lo hace, por ejemplo, al taladrar un agujero.

Esta alta velocidad, junto con su tamaño compacto y amplia gama de accesorios especiales, es lo que hace que la herramienta giratoria sin cordón sea distinta a otras herramientas mecánicas. La velocidad permite que la herramienta haga trabajos que las herramientas de baja velocidad no pueden hacer, tales como grabar vidrio, etc.

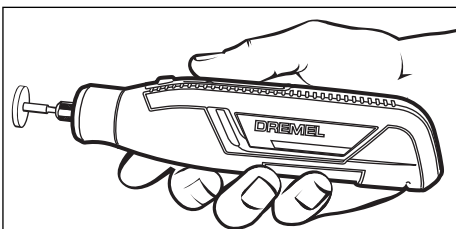
El sacar el mayor provecho a la herramienta giratoria sin cordón es cuestión de aprender cómo dejar que la velocidad haga el trabajo para usted.

### ► Utilización de la herramienta giratoria sin cordón

El primer paso para aprender a utilizar la herramienta giratoria sin cordón consiste en acostumbrarse a la herramienta. Téngala en la mano y experimente la sensación que producen su peso y equilibrio. Toque la parte cónica de la



Para tener mejor control al realizar trabajo fino, agarre la Herramienta Giratoria como un lápiz entre el dedo pulgar y el dedo índice.



El método de "agarre" para sujetar la herramienta se utiliza para realizar operaciones como el amolado de una superficie plana o la utilización de ruedas de recortar.

## Instrucciones de uso para aplicaciones distintas a arreglar uñas de animales domésticos

caja protectora. Esta parte cónica permite agarrar la herramienta giratoria sin cordón de manera muy parecida a como se agarra una pluma o un lápiz.

**ADVERTENCIA** Cuando encienda la herramienta por primera vez, sosténgala alejada de la cara. Los accesorios pueden resultar dañados durante el



Use anteojos de protección

transporte o el manejo y pueden salir despedidos al ganar velocidad. Esto no es común, pero sí sucede.

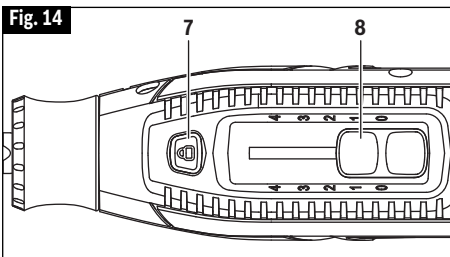
Practique primero en materiales de desecho para ver cómo corta la herramienta giratoria sin cordón. Tenga en cuenta que el trabajo es realizado por la velocidad de la herramienta y por el accesorio que se encuentra en el porta-herramienta. Usted no debe apoyarse sobre la herramienta ni empujarla para que entre en la pieza de trabajo.

En vez de hacer esto, haga descender lentamente hasta la pieza de trabajo el accesorio mientras éste gira y deje que toque el punto en el cual usted quiere que comience el corte (o lijado o grabado, etc.). Concéntrese en guiar la herramienta sobre la pieza de trabajo ejerciendo muy poca presión con la mano. Deje que el accesorio realice el trabajo.

Normalmente, es mejor realizar una serie de pasadas con la herramienta en vez de intentar hacer todo el trabajo en una sola pasada. Por ejemplo, para realizar un corte, pase la herramienta hacia adelante y hacia atrás sobre la pieza de trabajo de manera muy parecida a como lo haría con una brocha pequeña. Corte un poco de material en cada pasada hasta que llegue a la profundidad deseada. Para la mayoría de los trabajos, es mejor utilizar un toque hábil y suave. Con éste, usted logra el mejor control, reduce las posibilidades de cometer errores y logrará que el accesorio realice el trabajo de la manera más eficaz posible.

### ► Interruptor de encendido y apagado / velocidad

La herramienta se controla por medio del interruptor de encendido y apagado / velocidad azul **8** ubicado en



el lado superior de la parte entrante de la carcasa (Fig. 14).

PARA ENCENDER LA HERRAMIENTA, deslice suavemente el interruptor **8** hacia arriba con el dedo pulgar. La herramienta comenzará a funcionar a una velocidad de 8.000 RPM.

La velocidad se puede ajustar mientras la herramienta esté en funcionamiento, para lo cual se seguirá deslizando suavemente el interruptor **8** hacia arriba con el dedo pulgar.

### ► Posiciones para las revoluciones apropiadas.

Posición del interruptor	Intervalo de velocidad
1	8 000 RPM
*2	14 000 RPM
*3	21 000 RPM
4	25 000 RPM

\*2 es la posición de máxima velocidad para cepillos de alambre.

Puede consultar los cuadros de las páginas 111–114 para determinar la velocidad apropiada, basándose en el material en el que se esté trabajando y el tipo de accesorio que se esté utilizando. Estos cuadros le permiten seleccionar tanto el accesorio correcto como la velocidad óptima con sólo echar un vistazo.

### ► Monitoreo electrónico

La herramienta está equipada con un sistema de monitoreo electrónico interno que ayuda a maximizar el rendimiento del motor y de la batería al limitar la corriente que llega a la herramienta cuando ocurren situaciones

## Instrucciones de uso para aplicaciones distintas a arreglar uñas de animales domésticos

de sobrecarga y parada. Si para la herramienta demasiado tiempo o si atora la broca en una pieza de trabajo, especialmente a altas velocidades, la herramienta se apagará automáticamente gracias al sistema de seguridad que tiene incorporado. Una vez que esto ocurra, deslice el interruptor de velocidad hasta la posición "0", simplemente saque la herramienta del material en el que se atoró, enciéndala de nuevo, ajuste la velocidad si es necesario y continúe utilizándola. Cuando la batería esté casi vacía, es posible que la herramienta se apague automáticamente con más

frecuencia de la normal. Si esto sucede, es momento de recargar la herramienta.

---

### ► Necesidad de velocidades más lentas

---

Sin embargo, ciertos materiales (algunos plásticos, por ejemplo) requieren una velocidad relativamente lenta debido a que a alta velocidad la fricción de la herramienta genera calor y hace que el plástico se derrita.

## Mantenimiento

**⚠ ADVERTENCIA** Para evitar accidentes, desconecte siempre la herramienta y/o el adaptador de alimentación de la fuente de alimentación antes de realizar servicio de ajustes y reparaciones o limpieza.

### ► Servicio

**⚠ ADVERTENCIA** **NO HAY PIEZAS EN EL INTERIOR QUE PUEDAN SER AJUSTADAS O REPARADAS POR EL USUARIO. El mantenimiento preventivo realizado por personal no autorizado puede dar lugar a la colocación incorrecta de cables y componentes internos que podría constituir un peligro serio.** Recomendamos que todo el servicio de las herramientas sea realizado en un Centro de Servicio Dremel. **TÉCNICOS DE REPARACIONES:** Desconecte la herramienta y/o el adaptador de alimentación de la fuente de alimentación antes de realizar servicio de ajustes y reparaciones.

### ► Baterías

**Esté alerta a las baterías que estén aproximándose al final de su vida útil.** Si observa una disminución del rendimiento de la herramienta o un tiempo de funcionamiento significativamente más corto entre cargas, entonces ha llegado el momento de cambiar la batería. Si no se hace así, el resultado puede ser que

la herramienta funcione incorrectamente o que el adaptador de alimentación se dañe.

### ► Motores de CC

El motor de la herramienta ha sido diseñado para muchas horas de servicio confiable. Para mantener un rendimiento óptimo del motor, recomendamos que éste sea examinado cada seis meses. Sólo se debe usar un motor de repuesto Dremel genuino diseñado especialmente para la herramienta.

### ► Limpieza

**⚠ PRECAUCIÓN** **Ciertos agentes de limpieza y disolventes dañan las piezas de plástico.** Algunos de estos son: gasolina, tetracloruro de carbono, disolventes de limpieza clorados, amoníaco y detergentes domésticos que contienen amoníaco

Las aberturas de ventilación y las palancas de interruptor deben mantenerse limpias y libres de materias extrañas. No intente limpiar introduciendo objetos puntiagudos a través de las aberturas.

## Cordones de extensión

**⚠ ADVERTENCIA** Si es necesario un cordón de extensión, se debe usar un cordón con conductores de tamaño adecuado que sea capaz de transportar la corriente necesaria para la herramienta. Esto evitará caídas de tensión excesivas, pérdida de potencia o recalentamiento. Las herramientas conectadas a tierra deben usar cordones de extensión de 3 hilos que tengan enchufes de 3 terminales y receptáculos para 3 terminales.

**NOTA:** Cuanto más pequeño es el número de calibre, más grueso es el cordón.

### TAMAÑOS RECOMENDADOS DE CORDONES DE EXTENSION HERRAMIENTAS DE 120 V CORRIENTE ALTERNA

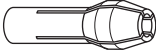
Capacidad nominal en amperes de la herramienta	Tamaño del cordón en A.W.G.				Tamaños del cable en mm <sup>2</sup>			
	Longitud del cordón en pies				Longitud del cordón en metros			
	25	50	100	150	15	30	60	120
<b>3-6</b>	18	16	16	14	0.75	0.75	1.5	2.5
<b>6-8</b>	18	16	14	12	0.75	1.0	2.5	4.0
<b>8-10</b>	18	16	14	12	0.75	1.0	2.5	4.0
<b>10-12</b>	16	16	14	12	1.0	2.5	4.0	-
<b>12-16</b>	14	12	-	-	-	-	-	-

## Accesorios Dremel

**⚠ ADVERTENCIA** Utilice únicamente accesorios de alto rendimiento comprobados por Dremel®. Otros accesorios no están diseñados para esta herramienta y pueden causar lesiones personales o daños materiales.

**Almacene los accesorios en un entorno seco y templado para evitar la corrosión y el deterioro.**

El número y la diversidad de accesorios para la Herramienta Giratoria son casi ilimitados. Hay una categoría adecuada para casi todos los trabajos que usted tenga que realizar — y una diversidad de tamaños y formas dentro de cada categoría que le permiten a usted obtener el accesorio perfecto para cada necesidad.

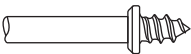


### Portaherramientas

Si usted piensa utilizar diversos accesorios, le recomendamos que inicialmente compre un juego completo de cuatro portaherramientas. Guárdelos con objeto de tener el tamaño adecuado de portaherramienta para cualquier accesorio o broca taladradora que quiera usar. **En la actualidad los portaherramientas de 3,2 mm, 2,4 mm, 0,8 mm y 1,6 mm acomodan todos los accesorios Dremel disponibles. Los portaherramientas de 3,2 mm (1/8") se incluyen en la mayoría de juegos de herramienta giratoria.**

### Vástagos

Un vástago es un cuerpo con una cabeza roscada o de tornillo, y es necesario cuando se utilicen accesorios de pulir, ruedas de corte, discos de lijar y puntas de pulir. La razón por la cual se utilizan vástagos es que los discos de lijar, las ruedas de corte y accesorios similares deben ser sustituidos frecuentemente. El vástago es una espiga permanente que permite que usted cambie únicamente la cabeza desgastada cuando sea necesario, por lo que se ahorra el costo de sustituir el eje cada vez.



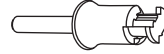
### Vástago de tornillo No. 401

Este es un vástago de tornillo utilizado con la punta de pulir de fieltro y las ruedas de pulir de fieltro. Espiga de 3,2 mm.



### Vástago de tornillo pequeño No. 402

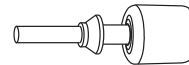
Este es un vástago con un tornillo pequeño en la punta y se utiliza con ruedas de corte de esmeril y de fibra de vidrio, discos de lijar y ruedas de pulir. Espiga de 3,2 mm.



EZ Lock™

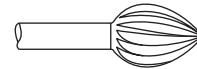
### Vástago EZ Lock No. 402

El EZ Lock de Dremel hace que los cambios de accesorio sean tan fáciles como JALAR, GIRAR Y SOLTAR. El diseño de vástago de una pieza simplifica el proceso de cambio de ruedas de corte y facilita el corte a través de plástico.



### Vástago EZ Drum™ No. EZ407SA

El EZ Drum de Dremel hace que los cambios de accesorios sean tan fáciles como JALAR, INSTALAR Y ASEGURAR. El diseño de vástago de una pieza simplifica el proceso de cambio de los discos de lijar.



### Cortadores de alta velocidad

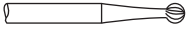
Disponibles en muchas formas, los cortadores de alta velocidad se utilizan para tallar, cortar y ranurar madera, plásticos y metales blandos tales como aluminio, cobre y latón. Estos son los accesorios que se han de utilizar para realizar a pulso fresado o tallado de madera o plástico y para realizar cortes de precisión. Fabricados con acero de alta calidad. Espiga de 3,2 mm.



### Cortadores de carburo de tungsteno

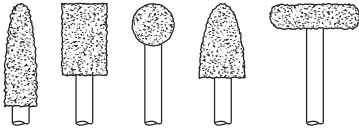
Estos son cortadores duros y de larga duración para utilización en acero templado, cerámica cocida en horno y otros materiales muy duros. Se pueden utilizar para grabar en herramientas y equipos de jardín. Espigas de 3,2 mm.

## Accesorios Dremel



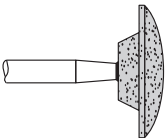
### Cortadores para grabar

Este grupo de cortadores abarca una amplia gama de tamaños y formas, y los cortadores están hechos para realizar trabajo complicado en cerámica (del tipo no cocido en horno), tallados en madera, joyas y tallados en marfil, caparazones de moluscos o barbas de ballena. Se utilizan frecuentemente para hacer placas de circuitos impresos complicados. No se deben utilizar en acero ni en otros materiales muy duros, pero son excelentes en madera, plástico y metales blandos. Espiga de 2,4 mm.



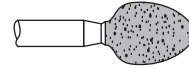
### Cortadores de carburo de tungsteno de dientes estructurados

Dientes de corte rápido y afilados como una aguja para mayor remoción de material y mínima carga. Utilícelos en fibra de vidrio, madera, plástico, epoxi y caucho. Espiga de 3,2 mm.



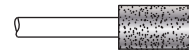
### Piedras de amolar de óxido de aluminio (naranja/marrón)

Redondas, puntiagudas, planas — diga qué forma quiere y habrá alguna disponible en esta categoría. Estas piedras están hechas de óxido de aluminio y cubren prácticamente todos los tipos posibles de aplicaciones de amolado. Utilícelas para afilar hojas de cortadoras de césped, puntas de destornillador, cuchillos, tijeras, cinceles y otras herramientas de corte. Utilícelas para quitar rebabas de piezas metálicas fundidas, desbarbar cualquier metal después de cortarlo, alisar juntas soldadas, amolar remaches y quitar herrumbre. Estas piedras de amolar pueden reafilarse con una piedra de reacondicionamiento. En los talleres de maquinaria, normalmente las brocas y los cortadores de alta velocidad son amolados con muelas de óxido de aluminio. Espiga de 3,2 mm.



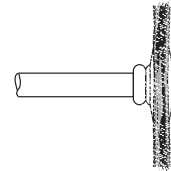
### Piedras de amolar de carburo de silicio (verde/gris)

Más duras que las puntas de óxido de aluminio, estas piedras están hechas especialmente para la utilización en materiales duros tales como vidrio y cerámica. Algunos usos típicos podrían ser la remoción de marcas que sobresalgan y el exceso de esmalte en cerámica, y el grabar en vidrio. Espiga de 3,2 mm.



### Fresas con punta de diamante

Excelentes para trabajos que involucran detalles finos en madera, jade, cerámica, vidrio y otros materiales duros. Las brocas están cubiertas con partículas de diamante. Espigas de 2,4 mm. (No se recomiendan para taladrar.)

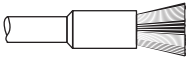


### Escobillas de alambre

Hay disponibles escobillas de alambre de tres formas distintas. **Para obtener resultados óptimos, las escobillas de alambre deben utilizarse a velocidades que no sean superiores a 15.000 RPM. Consulte la sección Velocidades de funcionamiento para informarse sobre el ajuste adecuado de la velocidad de la herramienta.** Las tres formas de escobillas vienen en tres materiales distintos: alambre de acero inoxidable, de latón y de carbono. El acero inoxidable da buenos resultados en peltre, aluminio, acero inoxidable y otros metales, sin dejar "residuos de herrumbre". Las escobillas de latón no generan chispas y son más blandas que las de acero, por lo que dan buenos resultados cuando se usan en metales blandos como oro, cobre y latón. Las escobillas de alambre de carbono dan buenos resultados para limpieza de propósito general.



## Accesorios Dremel

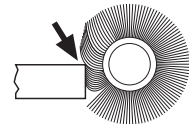
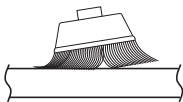


### Cepillos de cerda

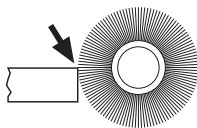
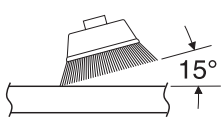
Estos cepillos constituyen excelentes herramientas para la limpieza de objetos de plata, joyas y antigüedades. Las tres formas hacen posible tener acceso a rincones estrechos y otros lugares difíciles. Los cepillos de cerda se pueden utilizar con compuesto para pulir con objeto de lograr una limpieza o pulido más rápido.

#### INCORRECTO:

Una presión excesiva puede causar la rotura del alambre.



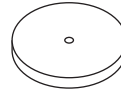
**CORRECTO:** Las puntas de alambre hacen el trabajo.



### Presión de cepillado

1. Recuerde que las puntas de un cepillo de alambre hacen el trabajo. Utilice el cepillo con la presión más ligera para que solamente las puntas del alambre entren en contacto con la pieza de trabajo.
2. Si se utilizan presiones más grandes, se someterá a los alambres a una tensión excesiva, lo cual dará como resultado una acción de barrido, y si se continúa haciendo esto, podrá acortarse la duración del cepillo debido a la fatiga del alambre.
3. Aplique el cepillo a la pieza de trabajo de manera que tanta cara del cepillo como sea posible esté en contacto completo con la pieza de trabajo. La aplicación del lado o del borde del cepillo a la pieza de trabajo causará la rotura del alambre y acortará la duración del cepillo.

EZ Lock®

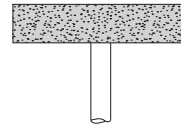


### Accesorios para pulir

Entre estos accesorios se encuentran una punta de pulir impregnada y una rueda de pulir impregnada para dar un acabado liso a las superficies metálicas; una punta de pulir de fieltro y una rueda de pulir de fieltro, y una rueda de pulir de tela. Todos estos accesorios se utilizan para pulir plásticos, metales, joyas y pequeñas piezas. También se encuentra en este grupo un compuesto para pulir (No. 421) para utilizarlo con los pulidores de fieltro y de tela.

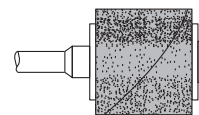
Las puntas de pulir dejan una superficie muy lisa, pero se obtiene un brillo mayor utilizando ruedas de fieltro o de tela y compuesto para pulir. **Para obtener los mejores resultados, los accesorios de pulir deben utilizarse a velocidades que no superen las 15.000 RPM. Consulte la sección Velocidades de funcionamiento para informarse sobre el ajuste adecuado de la velocidad de la herramienta.**

No se necesita compuesto para pulir cuando se utiliza la rueda de pulir 425.



### Ruedas abrasivas de óxido de aluminio

Se utilizan para quitar pintura, desbarbar metal y pulir acero inoxidable y otros metales. Disponibles con grano fino y mediano. Espiga de 3,2 mm.

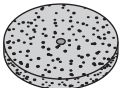


### Accesorios para lijar

Las bandas de lijar de grado fino, mediano y grueso están hechas para acoplarse en el vástago No. 402 y el EZ407. Se pueden utilizar para casi todos los trabajos pequeños de lijado que usted tenga que realizar, desde la fabricación de modelos hasta el acabado de muebles finos. Además, está la lijadora de tambor, un diminuto tambor que encaja en la herramienta giratoria y que hace posible dar forma a madera, alisar fibra de vidrio, lijar en

## Accesorios Dremel

el interior de curvas y otros lugares difíciles y realizar otros trabajos de lijado. Cambie las bandas de lijar del tambor a medida que se vayan desgastando y pierdan el grano. Las bandas vienen en grados finos, mediano y gruesos. Las ruedas de aletas amuelan y pulen superficies planas o contorneadas. Se utilizan con la máxima eficacia como lijadora de acabado después de completar un lijado más pesado de la superficie y la remoción de material. Las ruedas de aletas vienen en calidades fina y gruesa. Los discos de pulir son un magnífico accesorio de acabado para limpieza y lijado ligero. Funcionan eficazmente en metal, vidrio, madera, aluminio y plásticos. Los discos de pulir gruesos y medianos se venden juntos. Todos los discos de pulir se venden individualmente. **No exceda 15,000 RPM de velocidad. Espiga de 3,2 mm.**



**Muela**

Se utiliza para desbarbar, quitar herrumbre y amolado de propósito general. Utilízela con el vástago de tornillo No. 402.



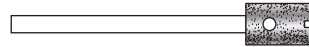
### Brocas taladradoras de punta fina

Las puntas finas recubiertas con titanio permanecen centradas y comienzan a taladrar de inmediato. Para uso en madera. Tamaño de 1/8, 5/32, 3/16 y 1/4 de pulgada. Vástago de 1/8 de pulgada.



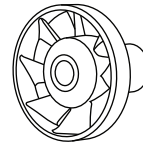
### Brocas taladradoras HSS

Broca taladradora HSS (de acero de alta velocidad) para utilizarse en metal y plástico. Tamaño de 1/8, 7/64, 3/32, 5/64, 1/16, 3/64 y 1/32 de pulgada. El tamaño del vástago coincide con el tamaño de la broca taladradora. Se requiere un tamaño diferente de portaherramienta (481, 482, 483) o un mandril Dremel distinto (4486) de acuerdo con la broca taladradora que se esté usando.



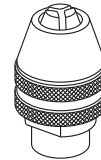
### Brocas taladradoras para vidrio

Brocas taladradoras con punta de diamante para uso en baldosa de pared de vidrio y de cerámica. Se incluye el lubricante.



### Soplador de polvo

Sopla el polvo alejándolo para brindar mayor visibilidad de la pieza de trabajo. Magnífico para lijar, grabar y tallar. No use el soplador de polvo para detener la herramienta o reducir su velocidad. No contacte el soplador de polvo con los dedos ni con la pieza de trabajo durante el uso.



### Mandril Dremel

Este mandril le permite cambiar los accesorios rápida y fácilmente en las herramientas giratorias Dremel sin cambiar los portaherramientas. Acepta accesorios con un vástago de 1/32 - 1/8 de pulgada. Lea el manual de instrucciones. Inserte y apriete firmemente el vástago del accesorio bien a fondo dentro de las mandíbulas del mandril.



**⚠ PRECAUCIÓN** No utilice una boquilla

Dremel con el aditamento para arreglar uñas de animales domésticos AT01-PGA. Utilice únicamente el portaherramienta de 1/8 de pulgada y la tuerca del portaherramienta. Es posible que el uso de la boquilla Dremel cause daños al aditamento.

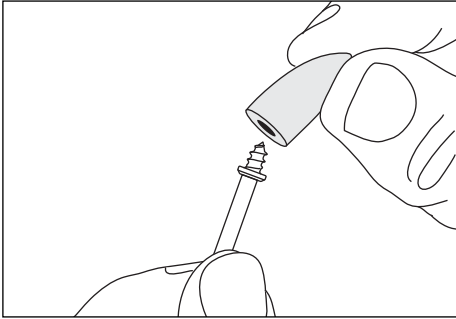
## Compatibilidad de los aditamentos Dremel

Núm. de modelo	Descripción		Compatibilidad con la 7760
220 / 220-01		Estación de trabajo	No se aconseja
225		Eje flexible	No se aconseja
231		Mesa de fresadora	No se aconseja
335 / 335-01		Fresadora de inmersión	No
490		Soplador de polvo	Sí
4486		Mandril Dremel	No se aconseja
A550		Escudo	Sí
565		Kit de corte multiuso	No se aconseja
568		Kit quitalechada	No se aconseja
575		Aditamento de ángulo recto	No se aconseja
A576		Plataforma de conformado	Sí

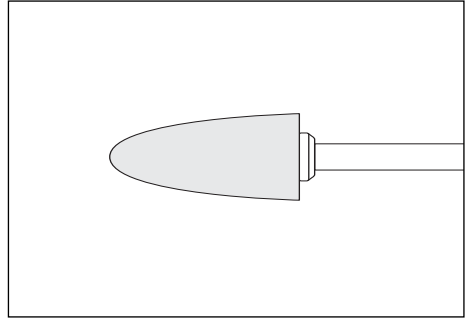
## Compatibilidad de los aditamentos Dremel

Núm. de modelo	Descripción	Compatibilidad con la 7760
A577	 Empuñadura de detallador	Sí
670 / 670-01	 Minisierra	No
675	 Afilador de cortadoras de césped y herramientas de jardín	Sí
678 / 678-01	 Cortador de círculos y guía de borde recto	No se aconseja
A679-02	 Afilador de sierras de cadena	Sí
2500 / 2500-01	 Prensa de tornillo Multi-vise	Sí

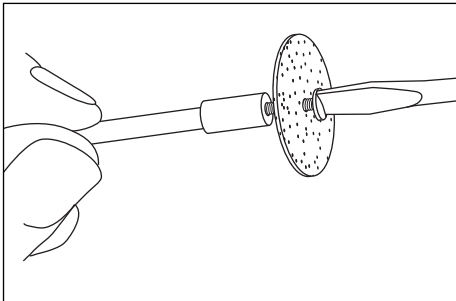
## Reemplazo de los accesorios de vástago de tornillo



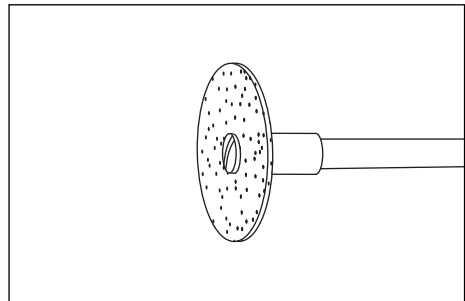
El vástago **No. 401** se utiliza con la punta de pulir de fieltro y las ruedas de pulir de fieltro. Enrosque la punta en el tornillo cuidadosamente. La punta de fieltro debe



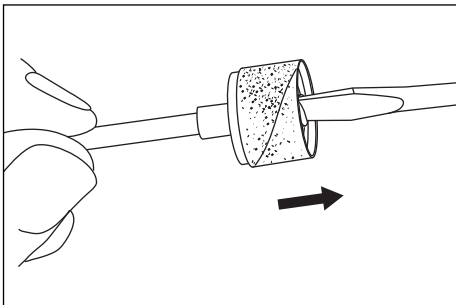
enroscarse hacia abajo en línea recta sobre el vástago de tornillo y se debe girar de todo hasta el collarín.



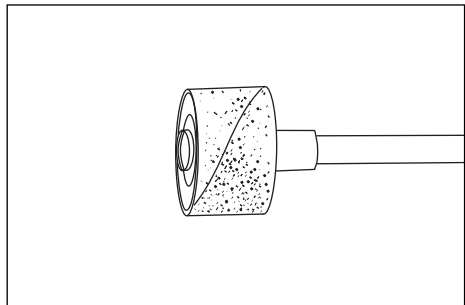
El vástago **No. 402** tiene un tornillo pequeño en la punta y se utiliza con ruedas de corte de esmeril y discos de lijar de esmeril. Las velocidades más altas, normalmente las



máximas, son mejores para la mayoría de los trabajos, incluyendo el corte de acero, que se muestra aquí.



Para cambiar una cinta de lijar en la **lijadora de tambor**, afloje el tornillo sin quitarlo para contraer el tambor y luego deslice la cinta vieja hasta sacarla. Deslice la cinta de lijar nueva sobre el tambor hasta que esté colocada y luego expanda el tambor apretando el tornillo una vez más.



**⚠ ADVERTENCIA** Antes de cada uso, asegúrese de que todos los componentes estén montados en el cuerpo del accesorio y de que el tambor esté suficientemente expandido para mantener fija la cinta de lijar durante el uso. Si dicha cinta está floja en el tambor durante la operación, podrá salir despedida y golpearles a usted o las personas que se encuentren presentes.

## Instrucciones de utilización del EZ Lock™

El vástago EZ Lock™ No. EZ402 tiene un manguito accionado por resorte y se utiliza con ruedas de corte, discos de pulir abrasivos y un paño de pulir.

**⚠ ADVERTENCIA** Asegúrese de que la herramienta rotativa esté “APAGADA” y desconecte el enchufe de la fuente de alimentación o el paquete de batería de la herramienta antes de cambiar accesorios. Estas medidas de seguridad preventivas reducen el riesgo de arrancar la herramienta accidentalmente.

**Asegúrese siempre de que el accesorio esté asentado correctamente sobre el mandril antes de utilizarlo.** Es posible que un asentamiento incorrecto del accesorio sobre el mandril cause lesiones corporales o daños materiales.

### Para cargar el accesorio:

1. Coloque el mandril EZ Lock™ dentro del portaherramienta tan profundamente como sea posible y apriete la tuerca del portaherramienta.

**Nota:** Hay un espaciador azul que tocará fondo en la tuerca del portaherramienta, con lo cual el mandril se ajustará a la profundidad correcta. Cuando se esté utilizando con la boquilla Dremel, retroceda el mandril ligeramente hacia fuera antes de apretar.

2. Tire del manguito accionado por resorte HACIA ABAJO, hacia la herramienta, con una mano, y mantenga el manguito en esa posición. Usted puede apoyar la herramienta en el cuerpo o en un banco de trabajo para tener palanca adicional (Fig. 1).
3. Con la otra mano, alinee la forma de corbatín de la rueda de corte con el vástago y asegúrese de que el inserto de metal esté orientado de modo que se aleje de la herramienta (Fig. 2).
4. Coloque la rueda en el vástago hasta un punto justo por debajo del corbatín del vástago y gírela 90 grados hasta que la forma de corbatín de la rueda se alinee con el manguito. Suelte el manguito. La rueda debería quedar fija en su sitio (Fig. 3).
5. Cuando monte accesorios de lijado y pulido, alinee el corbatín con el inserto de metal ubicado en la parte inferior del accesorio (Fig. 4 y 5).

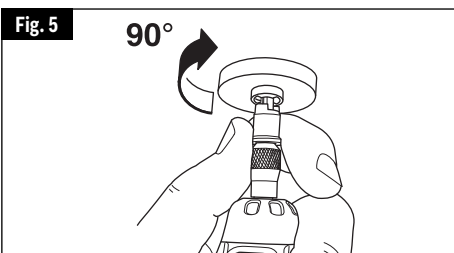
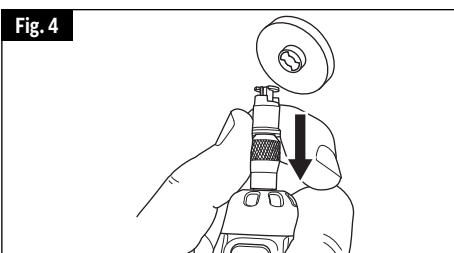
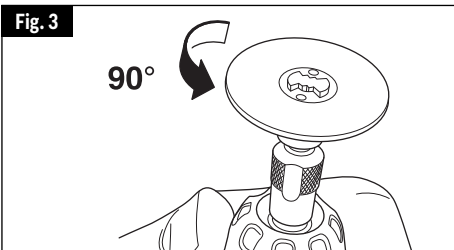
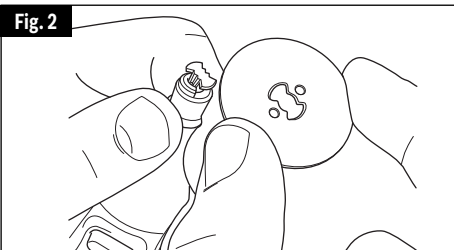
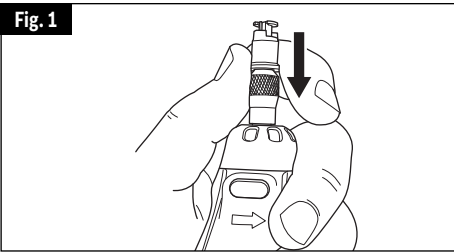
**Para comprobar si el asentamiento es correcto, sujete el botón de cierre del portaherramienta y gire el accesorio. El accesorio no podrá rotar en el vástago.**

### Para retirar un accesorio:

1. Tire del manguito accionado por resorte HACIA ABAJO, hacia la herramienta, con una mano (Fig. 1).
2. Mantenga el manguito hacia abajo mientras gira el accesorio 90 grados.
3. Retire el accesorio.

### Durante el uso

Evite los daños al vástago EZ Lock™ no dejando que éste entre en contacto con la pieza de trabajo.



## Instrucciones de utilización del EZ Drum™

El vástago EZ Drum™ No. EZ407SA tiene un manguito accionado por resorte y se utiliza con bandas de lijar.

**⚠ ADVERTENCIA** Asegúrese de que la herramienta rotativa esté "APAGADA" y desconecte el enchufe de la fuente de alimentación o el paquete de batería de la herramienta antes de cambiar accesorios. Estas medidas de seguridad preventivas reducen el riesgo de arrancar la herramienta accidentalmente.

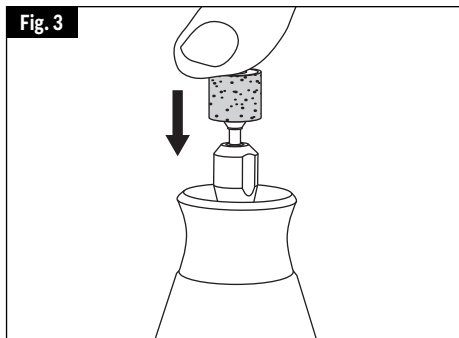
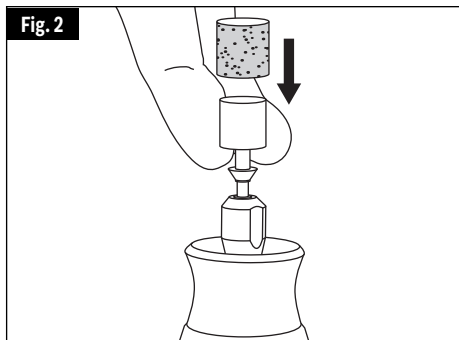
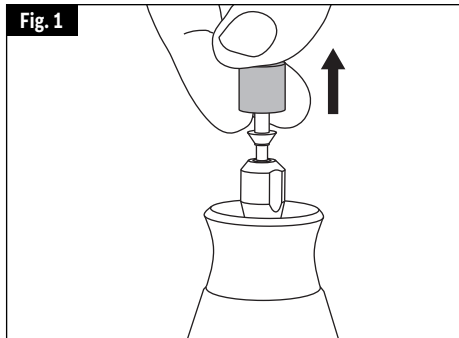
Asegúrese siempre de que el accesorio esté asentado correctamente sobre el mandril antes de utilizarlo. Es posible que un asentamiento incorrecto del accesorio sobre el mandril cause lesiones corporales o daños materiales.

### Para cargar el accesorio:

1. Tal y como se indica, coloque dos dedos debajo del vástago y jale firmemente hacia arriba. Esto colocará el EZ Drum™ en la posición "desbloqueada" (Fig. 1).
2. Manteniendo los dos dedos debajo del vástago, deslice la banda de lijar hacia abajo hasta que todo el vástago azul esté cubierto (Fig. 2).
3. Para regresar a la posición "bloqueada", presione firmemente hacia abajo sobre la parte de arriba del vástago (Fig. 3).

### Remoción de la banda de lijar del mandril:

1. Coloque dos dedos debajo del mandril y jale firmemente hacia arriba. Esto colocará el EZ Drum™ en la posición "desbloqueada" (Fig. 1).
2. La banda de lijar se deslizará ahora fácilmente hasta separarse del mandril (Fig. 2). No comprima la banda de lijar cuando la retire del mandril EZ Drum™. Esto puede hacer que la banda de caucho jale el mandril hasta retirarlo y la unidad quede inoperativa.



## Posiciones de velocidad

**Nota: Las posiciones de cada número indicadas en los cuadros de velocidad = 000 RPM**

- \* Velocidad para cortes ligeros; precaución de no quemar en ranuras profundas.
- Según la dirección de corte respecto a la veta.

Tenga presente que es posible que la velocidad recomendada no sea adecuada para su modelo de herramienta rotativa.

Cortadores de alta velocidad								
Número de catálogo	Madera blanda	Madera dura	Laminados/plásticos	Acero	Aluminio, latón, etc.	Caparazón/piedra	Cerámica	Vidrio
100, 121, 131	25-35	25-35	12-17	12-17	18-24	-	-	-
114, 124, 134, 144	25-35	12-17	9-11	12-17	12-17	-	-	-
118, 190, 191, 192, 193, 194	25-35	25-35	9-11	12-17	25-35	-	-	-
116, 117, 125, 196	25-35	12-17	9-11	12-17	12-17	-	-	-
115	25-35	25-35	9-11	12-17	12-17	-	-	-
198, 199	25-35	18-24	9-11	12-17	12-17	-	-	-

Cortadores para grabar								
Número de catálogo	Madera blanda	Madera dura	Laminados/plásticos	Acero	Aluminio, latón, etc.	Caparazón/piedra	Cerámica	Vidrio
105, 18	25-35	25-35	18-24	9-11	12-17	-	-	-
106, 107, 109, 110	25-35	25-35	12-17	9-11	12-17	-	-	-
111	25-35*	25-35*	18-24*	9-11	12-17	-	-	-
112, 113	25-35*	25-35*	12-17*	9-11	12-17	-	-	-

Fresas con punta de diamante								
Número de catálogo	Madera blanda	Madera dura	Laminados/plásticos	Acero	Aluminio, latón, etc.	Caparazón/piedra	Cerámica	Vidrio
7103, 7105, 7117, 7120, 7122, 7123, 7134, 7144	25-35	18-24	-	-	-	25-35	25-35	25-35

Cortadores de carburo de tungsteno con dientes estructurados								
Número de catálogo	Madera blanda	Madera dura	Laminados/plásticos	Acero	Aluminio, latón, etc.	Caparazón/piedra	Cerámica	Vidrio
9931, 9932, 9933, 9934, 9935, 9936	25-35	18-24	9-11	-	12-17	-	-	-



## Posiciones de velocidad

**Nota: Las posiciones de cada número indicadas en los cuadros de velocidad = 000 RPM**

- \* Velocidad para cortes ligeros; precaución de no quemar en ranuras profundas.
- Según la dirección de corte respecto a la veta.

Tenga presente que es posible que la velocidad recomendada no sea adecuada para su modelo de herramienta rotativa.

Cortadores de carburo de tungsteno								
Número de catálogo	Madera blanda	Madera dura	Laminados/plásticos	Acero	Aluminio, latón, etc.	Caparazón/piedra	Cerámica	Vidrio
9901, 9902, 9903, 9904, 9905, 9906, 9912	25-35	18-24	9-11	25-35	12-17	18-24	18-35	18-35
9909, 9910, 9911	-	-	-	-	-	18-24	18-35	18-35

Piedras de amolar de carburo de silicio (verde/gris)								
Número de catálogo	Madera blanda	Madera dura	Laminados/plásticos	Acero	Aluminio, latón, etc.	Caparazón/piedra	Cerámica	Vidrio
83142, 83322, 83702, 84922, 85422, 85602, 85622	-	-	12-17	25-35	9-11	12-17	25-35	25-35

Ruedas abrasivas/pointes								
Número de catálogo	Madera blanda	Madera dura	Laminados/plásticos	Acero	Aluminio, latón, etc.	Caparazón/piedra	Cerámica	Vidrio
516	9-17	9-17	-	18-24	12-17	-	-	-
500	9-17	9-17	-	12-24	9-17	-	-	-
EZ541GR	-	-	-	12-24	9-17	-	-	-

Piedras de amolar de óxido de aluminio (naranja/marrón)								
Número de catálogo	Madera blanda	Madera dura	Laminados/plásticos	Acero	Aluminio, latón, etc.	Caparazón/piedra	Cerámica	Vidrio
541, 903, 911, 921, 932, 941, 945, 952, 953, 954, 971, 997, 8153, 8175, 8193, 8215	25-35	25-35	-	18-24	9-11	12-17	25-35	-

## Posiciones de velocidad

**Nota: Las posiciones de cada número indicadas en los cuadros de velocidad = 000 RPM**

- \* Velocidad para cortes ligeros; precaución de no quemar en ranuras profundas.
- Según la dirección de corte respecto a la veta.

Tenga presente que es posible que la velocidad recomendada no sea adecuada para su modelo de herramienta rotativa.

### Piedras de afilar para sierras de cadena

Número de catálogo	Madera blanda	Madera dura	Laminados/plásticos	Acero	Aluminio, latón, etc.	Caparazón/piedra	Cerámica	Vidrio
453, 454, 455	-	-	-	25-35	-	-	-	-

### Accesorios de corte

Número de catálogo	Madera blanda	Madera dura	Laminados/plásticos	Acero	Aluminio, latón, etc.	Caparazón/piedra	Cerámica	Vidrio
409, 420, 426, 540, EZ409	-	-	5-11	25-35	25-35	25-35	25-35	-
543, EZ544	25-35	18-35	5-11	-	-	-	-	-
545, EZ545	18-35	18-24	-	-	-	12-24	12-24	-
EZ456	-	-	-	25-35	25-35	-	-	-
EZ476	-	-	5-11	-	-	-	-	-

### Accesorios para pulir

Número de catálogo	Madera blanda	Madera dura	Laminados/plásticos	Acero	Aluminio, latón, etc.	Caparazón/piedra	Cerámica	Vidrio
461, 462, 463	-	-	-	18-24	18-24	18-24	18-24	18-24
414, 422, 429	-	-	-	12-17	12-17	12-17	12-17	12-17
425, 427	-	-	-	18-24	18-24	-	-	-
423E	-	-	-	12-24	12-24	12-24	12-24	12-24

### Escobillas de alambre

Número de catálogo	Madera blanda	Madera dura	Laminados/plásticos	Acero	Aluminio, latón, etc.	Caparazón/piedra	Cerámica	Vidrio
403, 404, 405	9-11	9-11	5-11	12-17	12-17	-	-	-
428, 442, 443	9-11	9-11	5-8	9-11	9-11	-	-	-
530, 531, 532	-	9-11	-	9-11	-	-	-	-
535, 536, 537	9-11	9-11	-	9-11	9-11	9-11	-	-

### Cintas y discos de lijar

Número de catálogo	Madera blanda	Madera dura	Laminados/plásticos	Acero	Aluminio, latón, etc.	Caparazón/piedra	Cerámica	Vidrio
407, 408, 430, 431, 432, 438, 439, 440, 444	5-35	5-35	5-17	25-35	25-35	5-35	5-35	-
411, 412, 413	18-24	18-24	9-11	-	5-11	-	-	-

## Posiciones de velocidad

**Nota: Las posiciones de cada número indicadas en los cuadros de velocidad = 000 RPM**

- \* Velocidad para cortes ligeros; precaución de no quemar en ranuras profundas.
- Según la dirección de corte respecto a la veta.

Tenga presente que es posible que la velocidad recomendada no sea adecuada para su modelo de herramienta rotativa.

Ruedas de aletas								
Número de catálogo	Madera blanda	Madera dura	Laminados/plásticos	Acero	Aluminio, latón, etc.	Caparazón/piedra	Cerámica	Vidrio
502, 503, 504, 505	25-35	18-24	5-8	25-35	18-35	-	-	-

Discos de pulir abrasivos de acabado								
Número de catálogo	Madera blanda	Madera dura	Laminados/plásticos	Acero	Aluminio, latón, etc.	Caparazón/piedra	Cerámica	Vidrio
511E, 512E	12-17	12-17	9-11	12-17	12-17	-	-	-

Cepillos abrasivos para detalles								
Número de catálogo	Madera blanda	Madera dura	Laminados/plásticos	Acero	Aluminio, latón, etc.	Caparazón/piedra	Cerámica	Vidrio
EZ471SA, EZ472SA, EZ473SA	5-17	5-17	5-11	5-17	5-17	-	-	-

Broca taladradora								
Número de catálogo	Madera blanda	Madera dura	Laminados/plásticos	Acero	Aluminio, latón, etc.	Caparazón/piedra	Cerámica	Vidrio
150	25-35	18-35	5-11	-	12-17	-	-	-

Brocas para taladrar vidrio								
Número de catálogo	Madera blanda	Madera dura	Laminados/plásticos	Acero	Aluminio, latón, etc.	Caparazón/piedra	Cerámica	Vidrio
662DR, 663DR	-	-	-	-	-	5-17	5-17	5-17

Brocas para quitar lechada								
Número de catálogo	Madera blanda	Madera dura	Laminados/plásticos	Acero	Aluminio, latón, etc.	Caparazón/piedra	Cerámica	Vidrio
569, 570	Para usar en lechada de paredes y pisos					-	12-24	-

## Garantía limitada de Dremel®

Su producto Dremel está garantizado contra defectos de material o de fabricación durante un período de dos años a partir de la fecha de compra. En caso de que un producto no se ajuste a esta garantía escrita, por favor, tome las medidas siguientes:

1. NO devuelva el producto al lugar de compra.
2. Empaque el producto cuidadosamente y solo, sin otros artículos, y envíelo con el porte pagado junto con:
  - A. Una copia de la prueba de compra fechada (por favor, conserve una copia para usted).
  - B. Una explicación por escrito de la naturaleza del problema.
  - C. Su nombre, dirección y número de teléfono a:

### ESTADOS UNIDOS

Robert Bosch Tool  
Corporation Dremel Repairs      **O**  
173 Lawrence 428 Dock #2  
Walnut Ridge, AR 72476

### CANADÁ

Giles Tool Agency  
47 Granger Av.  
Scarborough, Ontario Canada  
M1K 3K9 1-416-287-3000

### FUERA DE LOS TERRITORIOS CONTINENTALES DE LOS EE.UU.

Vea al distribuidor local o escriba a:  
Dremel Repairs 173 Lawrence 428 Dock #2 Walnut Ridge, AR 72476

Recomendamos que el paquete sea asegurado contra pérdida o daños durante el transporte por los cuales no podemos ser responsables.

Esta garantía tiene validez únicamente para el comprador original inscrito. LOS DAÑOS AL PRODUCTO PRODUCIDOS POR MANIPULACION INCORRECTA, ACCIDENTE, ABUSO, NEGLIGENCIA, REPARACIONES O ALTERACIONES NO AUTORIZADAS, ACCESORIOS NO APROBADOS U OTRAS CAUSAS NO RELACIONADAS CON PROBLEMAS DEL MATERIAL O LA FABRICACION NO ESTAN CUBIERTOS POR ESTA GARANTIA.

Ningún empleado, agente, distribuidor, ni ninguna otra persona está autorizado a dar ninguna garantía en nombre de Dremel. Si la inspección de Dremel demuestra que el problema fue causado por problemas con el material o la fabricación dentro de los límites de la garantía, Dremel reparará o reemplazará el producto gratuitamente y devolverá el producto con el porte pagado. Las reparaciones necesarias debido al desgaste normal o al abuso, o las reparaciones de productos que se encuentren fuera del período de garantía, en caso de que se puedan realizar, se cobrarán a precios de fábrica normales.

DREMEL NO DA NINGUNA OTRA GARANTIA DE NINGUN OTRO TIPO, EXPRESA O IMPLICITA, Y TODAS LAS GARANTIAS IMPLICITAS DE COMERCIABILIDAD E IDONEIDAD PARA UN PROPOSITO ESPECIFICO QUE EXCEDEN LA OBLIGACION MENCIONADA ANTERIORMENTE QUEDAN POR LA PRESENTE RECHAZADAS POR PARTE DE DREMEL Y ESTAN EXCLUIDAS DE ESTA GARANTIA LIMITADA.

Esta garantía le confiere a usted derechos legales específicos y es posible que usted también tenga otros derechos que varían de un estado a otro. La obligación del garante consiste únicamente en reparar o reemplazar el producto. El garante no es responsable de ningún daño incidental o emergente debido a cualquiera de dichos defectos alegados. Algunos estados no permiten la exclusión o limitación de los daños incidentales o emergentes, por lo que es posible que las limitaciones o la exclusión anteriores no sean aplicables en el caso de usted.

Para precios y cumplimiento de la garantía en los territorios continentales de los Estados Unidos, póngase en contacto con el distribuidor local Dremel.

Exportado por: © Robert Bosch Tool Corporation Mt. Prospect, IL 60056 -2230, E.U.A.

Importado a México por: Robert Bosch, S. de R.L. de C.V.  
Calle Robert Bosch No. 405 - 50071 Toluca, Edo. de Méx. - México  
Tel. 052 (722) 279 2300 ext 1160 / Fax. 052 (722) 216-6656

## Dremel® Limited Warranty

Your Dremel product is warranted against defective material or workmanship for a period of two years from date of purchase. In the event of a failure of a product to conform to this written warranty, please take the following action:

1. DO NOT return your product to the place of purchase.
2. Carefully package the product by itself, with no other items, and return it, freight prepaid, along with:
  - A. A copy of your dated proof of purchase (please keep a copy for yourself).
  - B. A written statement about the nature of the problem.
  - C. Your name, address and phone number to:

### UNITED STATES

Robert Bosch Tool Corporation  
Dremel Repairs 173 Lawrence  
428 Dock #2  
Walnut Ridge, AR 72476

OR

### CANADA

Giles Tool Agency  
47 Granger Av.  
Scarborough, Ontario Canada  
M1K 3K9  
1-416-287-3000

### OUTSIDE CONTINENTAL UNITED STATES CONTINENTAL UNITED STATES

See your local distributor or write to:

Dremel Repairs 173 Lawrence 428 Dock #2 Walnut Ridge, AR 72476

We recommend that the package be insured against loss or in transit damage for which we cannot be responsible.

This warranty applies only to the original registered purchaser. DAMAGE TO THE PRODUCT RESULTING FROM TAMPERING, ACCIDENT, ABUSE, NEGLIGENCE, UNAUTHORIZED REPAIRS OR ALTERATIONS, UNAPPROVED ATTACHMENTS OR OTHER CAUSES UNRELATED TO PROBLEMS WITH MATERIAL OR WORKMANSHIP ARE NOT COVERED BY THIS WARRANTY.

No employee, agent, dealer or other person is authorized to give any warranties on behalf of Dremel. If Dremel inspection shows that the problem was caused by problems with material or workmanship within the limitations of the warranty, Dremel will repair or replace the product free of charge and return product prepaid. Repairs made necessary by normal wear or abuse, or repair for product outside the warranty period, if they can be made, will be charged at regular factory prices.

DREMEL MAKES NO OTHER WARRANTY OF ANY KIND WHATEVER, EXPRESSED OR IMPLIED, AND ALL IMPLIED WARRANTIES OF MERCHANTABILITY AND FITNESS FOR A PARTICULAR PURPOSE WHICH EXCEED THE ABOVE MENTIONED OBLIGATION ARE HEREBY DISCLAIMED BY DREMEL AND EXCLUDED FROM THIS LIMITED WARRANTY.

This warranty gives you specific legal rights and you may also have other rights which vary from state to state. The obligation of the warrantor is solely to repair or replace the product. The warrantor is not liable for any incidental or consequential damages due to any such alleged defect. Some states do not allow the exclusion or limitation of incidental or consequential damages, so the above limitations or exclusion may not apply to you.

For prices and warranty fulfillment in the continental United States, contact your local Dremel distributor.

Exportado por: © Robert Bosch Tool Corporation Mt. Prospect, IL 60056-2230, E.U.A.

Importado a México por: Robert Bosch, S. de R.L. de C.V.  
Calle Robert Bosch No. 405 - 50071 Toluca, Edo. de Méx. - México  
Tel. 052 (722) 279 2300 ext 1160 / Fax. 052 (722) 216-6656