

Spare Parts for RM71 (2mm Probe) SmartLine Guided Radar Level Meter

XM72 2 mm Cable For all other probe styles see MSG 36-RM-16-05 (XM71)

Model Selection Guide



Supply the original instrument model code and serial number when ordering

Instructions

Select the desired key number. The arrow to the right marks the selection available.
Make the desired selections from Tables I through VI using the column below the proper arrow. A dot (•) denotes availability.

Table	I	II	III	IV	V
XM72	- 4	-----	-----	-- V --	-----

KEY NUMBER

KEY NUMBER	Description
XM72	

Selection Availability

XM72	↓
------	---

TABLE I

Level Meter Code
4

4	•
---	---

TABLE II

Approvals	Without ATEX II G/D 1, 1/2, 2 Ex ia IIC T6 ATEX II G/D 1/2, 2 Ex d ia IIC T6 FM IS Cl. I, II, III Div. 1,2 Gr. A-G Dual Seal FM XP Cl. I, II, III Div. 1,2 Gr. A-G Dual Seal INMETRO Cepel G/D 1/2, 2 Ex ia IIC T3...T6 INMETRO Cepel G/D 1/2, 2 Ex d[ia] IIC T3...T6 NEPSI Ex ia IIC T3...T6 NEPSI Ex dia IIC T3...T6 IECEx Zone 0 Ex ia IIC T3...T6, Ex iaD 20 IECEx Zone 0/1 Ex d[ia] IIC T3...T6, Ex t D[iaD] A21/20 ATEX II 3G Ex nA II T3...T6 CSA IS Cl. I, II, III Div. 1,2 Gr. A-G + Dual seal CSA XP Cl. I, II, III Div. 2 Gr. A-G + Dual seal	Approval selection must match the approval designation of the original meter
Material Process Connection and Probe	Without 316L / 1.4404 - 40 bar Hastelloy C-22 / 2.4602 - 40 bar 316L / 1.4404 - 100 bar Hastelloy C-22 / 2.4602 - 100 bar 316L / 1.4404 - 300 bar Hastelloy C-22 / 2.4602 - 300 bar	
Probe	Without Single cable dia. 2 mm (.078"); length 1 m (3.28') min. 35 m (114.83') max. (LIQ Only)	
Probe End Type	Without Counterweight 14 mm (0.55") x 100 mm (3.94"); Single cable 2 mm (0.078")	
Feedthrough/Temperature/Sealing	Without Standard: -40°C (-40°F)...+150°C (302°F), / FKM/FPM Standard: -20°C (-4°F)...+150°C (302°F), / Kalrez 6375 Standard: -50°C (-58°F)...+150°C (302°F), / EPDM Standard: -40°C (-40°F)...+300°C (572°F), (HT) / FKM/FPM Standard: -20°C (-4°F)...+300°C (572°F), (HT) / Kalrez 6375 Standard: -50°C (-58°F)...+300°C (572°F), (HT) / EPDM	

0	•
2	r
3	p
6	•
7	•
B	
C	
E	r
F	p
M	r
N	p
A	r
H	•
K	•
-0	•
-1	•
-2	•
-3	•
-4	•
-5	•
-6	•
-0	•
-7	•
0	•
-5	•
0	•
-1	•
-2	•
-5	•
-6	•
-7	•
-8	•

Probe lengths are available in 3.94" (100 mm) increments. Refer to Length table

TABLE III		Description		
Process Connection-None	Without		000_ •	
	G 1/2" A ISO228 (Single cable 2 mm)		H00_ •	
Process Connection - EN	DN 25 PN 40 Form B1 EN1092		400_ •	
	DN 40 PN 40 Form B1 EN1092		500_ •	
	DN 50 PN 40 Form B1 EN1092		600_ •	
	DN 80 PN 40 Form B1 EN1092		700_ •	
	DN 100 PN 16 Form B1 EN1092		800_ •	
	DN 100 PN 40 Form B1 EN1092		A00_ •	
	DN 150 PN 16 Form B1 EN1092		B00_ •	
	DN 150 PN 40 Form B1 EN1092		C00_ •	
	DN 50 PN 63 Form B1 EN1092		D00_ •	
	DN 80 PN 63 Form B1 EN1092		E00_ •	
	DN 100 PN 63 Form B1 EN1092		F00_ •	
	DN25 PN63/PN100 Form B1 EN1092		K00_ •	
	DN40 PN63/PN100 Form B1 EN1092		L00_ •	
	DN50 PN100 Form B1 EN1092		M00_ •	
	DN80 PN100 Form B1 EN1092		N00_ •	
	DN100 PN100 Form B1 EN1092		P00_ •	
	DN150 PN63 Form B1 EN1092		R00_ •	
	DN150 PN100 Form B1 EN1092		S00_ •	
	Process Connection - ASME	1/2" NPT (Single cable 2 mm)		0H0_ •
		1" 150 lb RF ASME B16.5		040_ •
1 1/2" 150 lb RF ASME B16.5			050_ •	
1 1/2" 300 lb RF ASME B16.5			060_ •	
2" 150 lb RF ASME B16.5			070_ •	
2" 300 lb RF ASME B16.5			080_ •	
3" 150 lb RF ASME B16.5			0A0_ •	
3" 300 lb RF ASME B16.5			0B0_ •	
4" 150 lb RF ASME B16.5			0C0_ •	
4" 300 lb RF ASME B16.5			0D0_ •	
6" 150 lb RF ASME B16.5			0E0_ •	
8" 150 lb RF ASME B16.5			0F0_ •	
6" 300 LBS RF ASME B16.5			0G0_ •	
1" 600LBS RF ASME B16.5			0M0_ •	
1" 1/2 600LBS RF ASME B16.5			0N0_ •	
2" 600LBS RF ASME B16.5			0P0_ •	
3" 600LBS RF ASME B16.5			0R0_ •	
4" 600LBS RF ASME B16.5			0S0_ •	
1" 900LBS/1500LBS RF ASME B16.5			0T0_ •	
1" 1/2 900LBS/1500LBS RF ASME B16.5			0U0_ •	
2" 900LBS/1500LBS RF ASME B16.5			0V0_ •	
3" 900LBS RF ASME B16.5			0W0_ •	
4" 900LBS RF ASME B16.5			0X0_ •	
1" 2500LBS RF ASME B16.5			0Y0_ •	
Process Connection Other		10K 40A RF JIS B2220		005_ •
		10K 50A RF JIS B2220		006_ •
		10K 80A RF JIS B2220		007_ •
	10K 100A RF JIS B2220		008_ •	
Electronic Module	Without		---0 •	
	Terminal module (Non-Ex or Ex i) + screws	n° 7 + 8	---3 k	
	Backend (1 output) + High frequency module	n° 1 + 6	---4 m	
	HMI cover + cable (Aluminium)	n° 14	---5 m	
	Complete head with HMI (Aluminium)	n° 7 + 8 + 9 + 10 + 11 + 12 + 14 + 15	---6 n	
	Complete head with blind cover (Aluminium)	n° 2 + 3 + 4 + 7 + 8 + 9 + 10 + 15	---7 w	
	Complete housing with HMI + electronic module (Aluminium)	n° 1 + 6 + 7 + 8 + 9 + 10 + 11 + 12 + 14 + 15	---A n	
	Complete head with HMI (Stainless steel)	n° 7 + 8 + 9 + 10 + 14 + 15	---8 n	
	Complete head with blind cover (Stainless steel)	n° 2 + 3 + 4 + 7 + 8 + 9 + 10 + 15	---C w	
	Complete housing with HMI + electronic module (Stainless steel)	n° 1 + 6 + 7 + 8 + 9 + 10 + 14 + 15	---D n	
Terminal module (Ex d) + screws	n° 7 + 8	---E x		
HMI cover + cable (Stainless steel)	n° 14	---F m		

TABLE IV

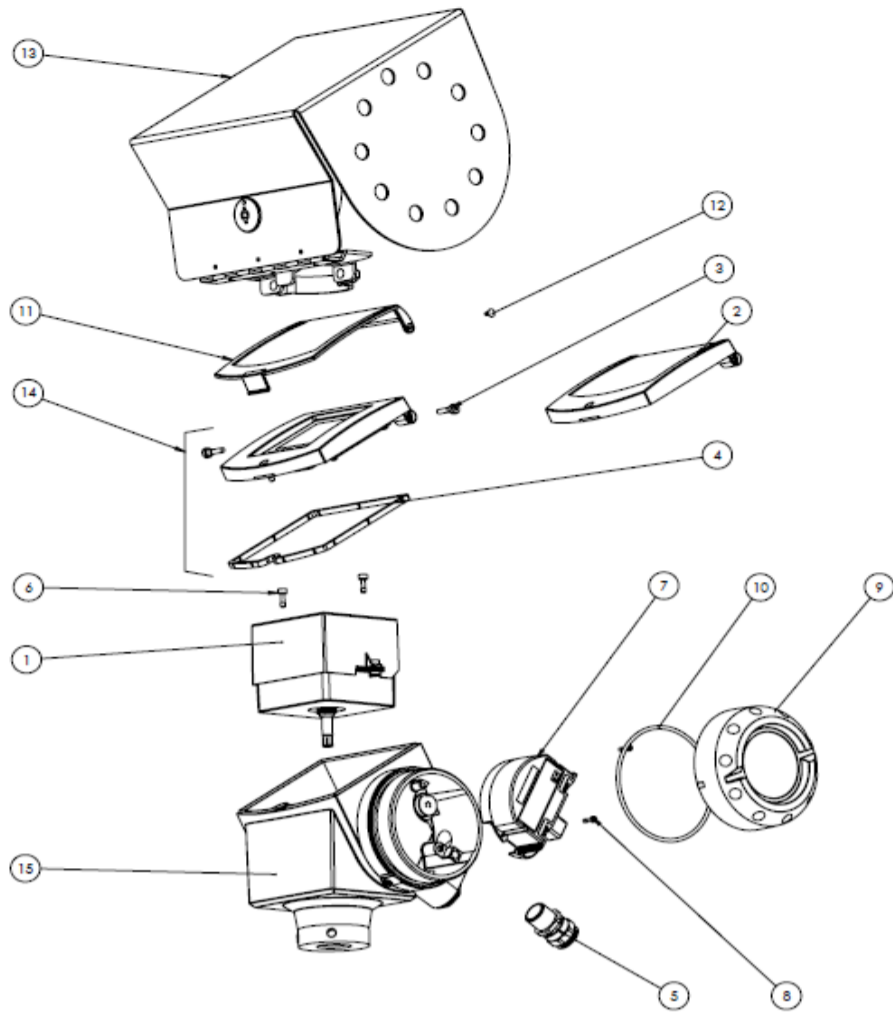
Output	Without Output: 4...20mA (Hart) 1 Output: 4...20mA (Hart) + Interface 2 Outputs 4...20mA (Hart) + 4...20mA 2 Outputs 4...20mA (Hart) + 4...20mA + Interface Foundation Fieldbus (4 wire + local Hart) Foundation Fieldbus (4 wire + local Hart) + Interface Profibus PA (4 wire + local Hart) Profibus PA (4 wire + local Hart) + Interface	0 ____ • 1 ____ • 2 ____ • 3 ____ • 4 ____ • A ____ y B ____ y D ____ • E ____ •
HMI (display & keys)	Without English German French Italian Spanish Portugese Japanese Chinese (Mandarin) Russian	_0 ____ • _1 ____ • _2 ____ • _3 ____ • _4 ____ • _5 ____ • _6 ____ • _7 ____ • _8 ____ • _A ____ •
Version	Honeywell	_V ____ •
Accessories	Without Stainless steel weather protection n°13 Cable entry M20x1,5 (ALU) M25x1,5 (SS) / without gland Screws + gaskets (kit for 1 unit) n° 3 + 4 + 6 + 8 + 10 Wiring compartment cover + gasket n° 9 + 10 Cable entry 1/2" NPT / without gland Cable entry G 1/2" / without gland (not for Sst housing) Cable entry M20x1,5 (ALU) M25x1,5 (SS) / plastic gland (Std: black, Ex ia:blue) n° 5 Cable entry M20x1,5 (ALU) M25x1,5 (SS) / metal gland (Ex d devices only) n° 5 Biege plastic sun shade n° 11 + 12 Blind cover + gasket + screws n° 2 + 3 + 4 Converter VIATOR RS232 / HART Converter USB / HART Metaglas® sealing	_0 ____ • _1 ____ • _2 ____ • _3 ____ • _4 ____ • _5 ____ • _6 ____ • _7 ____ • _8 ____ • _A ____ • _B ____ • _C ____ • _D ____ • _G ____ •
Housing Option	Without Remote Version / 2 m (2180mm; 6.56 ft.) Remote Version / 4.5 m (4720 mm; 14.76 ft.) Remote Version / 9.5 m (9800 mm; 31.17 ft.) Remote Version / 14.5 m (14880 mm; 47.57 ft.)	For Available Probe Lengths based on the remote electronics selected, refer to the length table. _0 ____ • _3 ____ s _4 ____ t _5 ____ u _6 ____ v

TABLE V

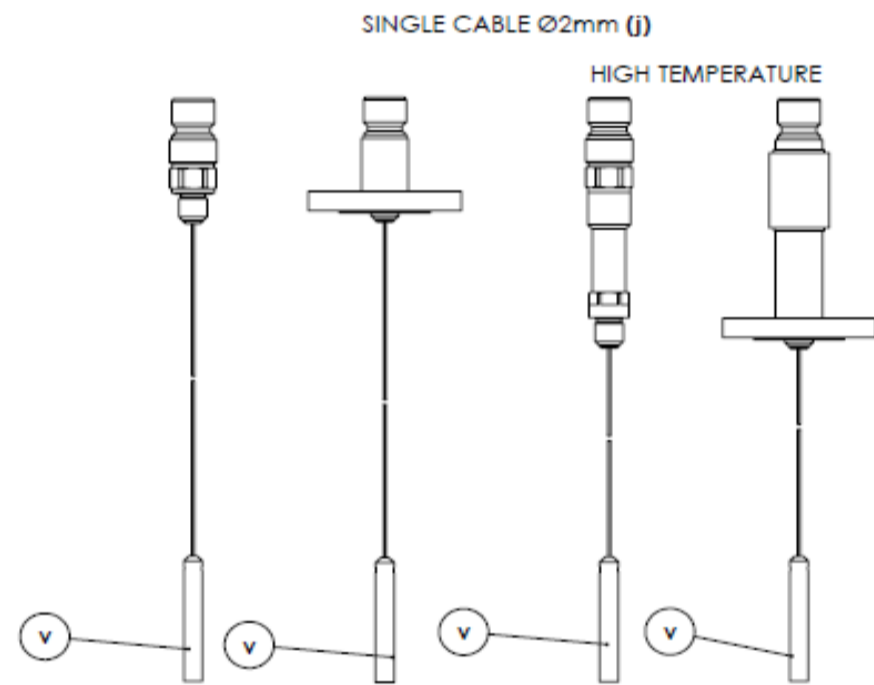
Probe Length	Ordered in 100mm increments, minimum length 1000mm	_0 ____ •
---------------------	--	-----------

RESTRICTIONS

Restrictions	Available only with		Not Available with	
	Letter	Table Selection	Table	Selection
a			IV	_8 ____
k			II	3 ____ , 7 ____ , K ____
			IV	0 ____
m			IV	_0 ____
n			IV	00 ____
p			IV	A ____ B ____ , D ____ E ____ , _7 ____
			IV	A ____ B ____ , D ____ E ____ , _8 ____
s	V	maximum probe length 30 m		
t	V	maximum probe length 25 m		
u	V	maximum probe length 15 m		
v	V	maximum probe length 5 m		
w			IV	0 ____
x	II	3 ____ , 7 ____ , K ____	IV	0 ____
y	II	0 ____		



Rep.	Reference	Description	Quantity
1	400659401	ELECTRONIC MODULE	1
2	F3177240100	BLIND COVER	1
3	F3177340000	SCREWS FOR COVER	2
4	F3177420000	COVER GASKET	1
5	VOIR TABLEAU 1	CABLE GLAND	1
6	F3177360100	SCREW FOR BACK END ELECTRONIC	2
7	VOIR TABLEAU 2	TERMINAL MODULE	1
8	F3177350000	SCREWS FOR TERMINAL MODULE	2
9	F3177260100	WIRING COMPARTMENT COVER	1
10	F5091150000	WIRING COMPARTMENT COVER SEAL	1
11	F3179980000	BLUE PLASTIC SUN SHADE	1
12	F3179990000	PINS FOR PLASTIC SUN SHADE	2
13	F2096340000	STAINLESS STEEL WEATHER PROTECTION	1
14	KF7140000000500100	HMI COVER AND CABLE (OF 1300)	1
15	F3177280100	HOUSING BODY	1



Rep.	Description	Quantity
a	COAX Ø22mm	1
b	SEGMENTED COAX Ø22mm	1
c	SINGLE ROD Ø8mm	1
d	SEGMENTED SINGLE ROD Ø8mm	1
e	SINGLE CABLE Ø4mm	1
f	SINGLE CABLE 316 FEP COATED Ø4mm	1
g	SINGLE CABLE Ø8mm	1
h	DOUBLE CABLE Ø4mm	1
i	DOUBLE ROD Ø8mm	1
j	SINGLE CABLE Ø2mm	1
k	ESD PROTECTION 30KV	1

Rep.	Description	Quantity
l	METAGLAS SEALING	1
m	OPEN END SINGLE CABLE Ø4mm OR Ø8mm	1
n	COUNTERWEIGHT Ø20mmx100mm for SINGLE CABLE Ø4mm	1
o	THREADED END for SINGLE CABLE	1
p	CRIMPED END for SINGLE CABLE	1
q	TURNBUCKLE for SINGLE CABLE	1
r	CHUCK for SINGLE CABLE	1
s	COUNTERWEIGHT Ø12mmx100mm for SINGLE Ø8mm	1
t	COUNTERWEIGHT Ø38mmx245mm for SINGLE Ø8mm	1
u	COUNTERWEIGHT Ø38mmx60mm for DOUBLE CABLE Ø4mm	1
v	COUNTERWEIGHT Ø14mmx100mm for SINGLE CABLE Ø2mm	1