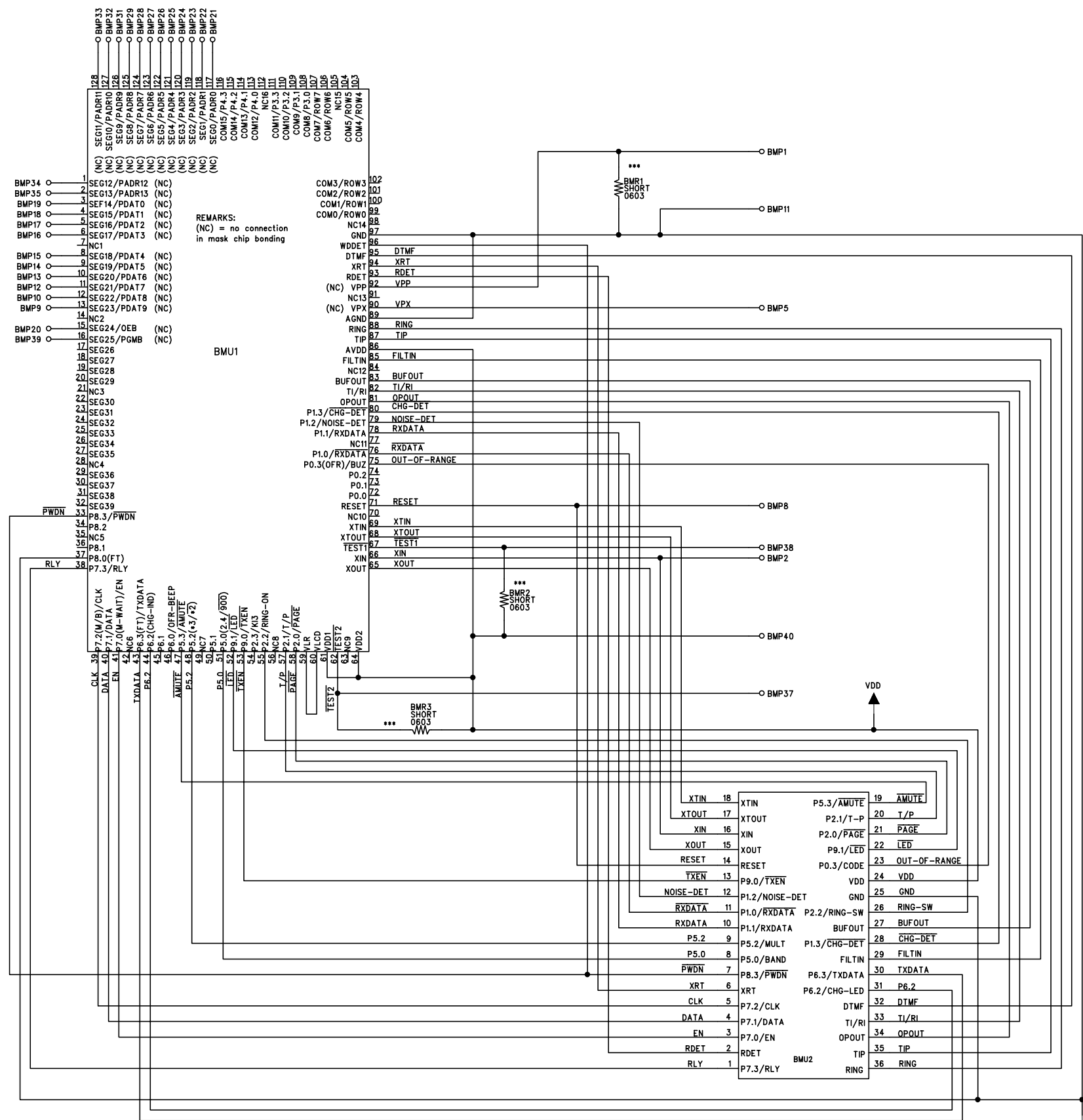


Note  
All ref designator with S prefix are for 3034

DRAWN:	DATED: 22MAY02	COMPANY: ARTCOM LIMITED	
CHECKED:	DATED:	TITLE: 3034BM	
QUALITY CONTROL:	DATED:	SCALE:	SIZE: A3 REV: 1
RELEASED:	DATED:	DRAWING NO:	SHEET: 1 OF 1



DRAWN: JACKIE WONG		DATED: 28JAN02		COMPANY: ARTCOM LIMITED			
CHECKED:		DATED:		TITLE: GH3034 BASE MPU			
QUALITY CONTROL:		DATED:		SCALE:	SIZE: A3	REV: 0	
RELEASED:		DATED:		CODE:	DRAWING NO:	SHEET: 1 OF 1	

6

5

4

3

2

1

D

D

C

C

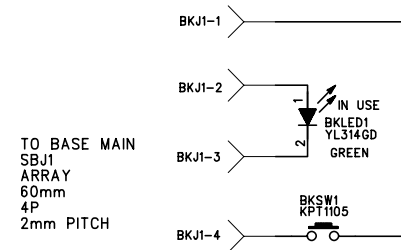
B

B

A

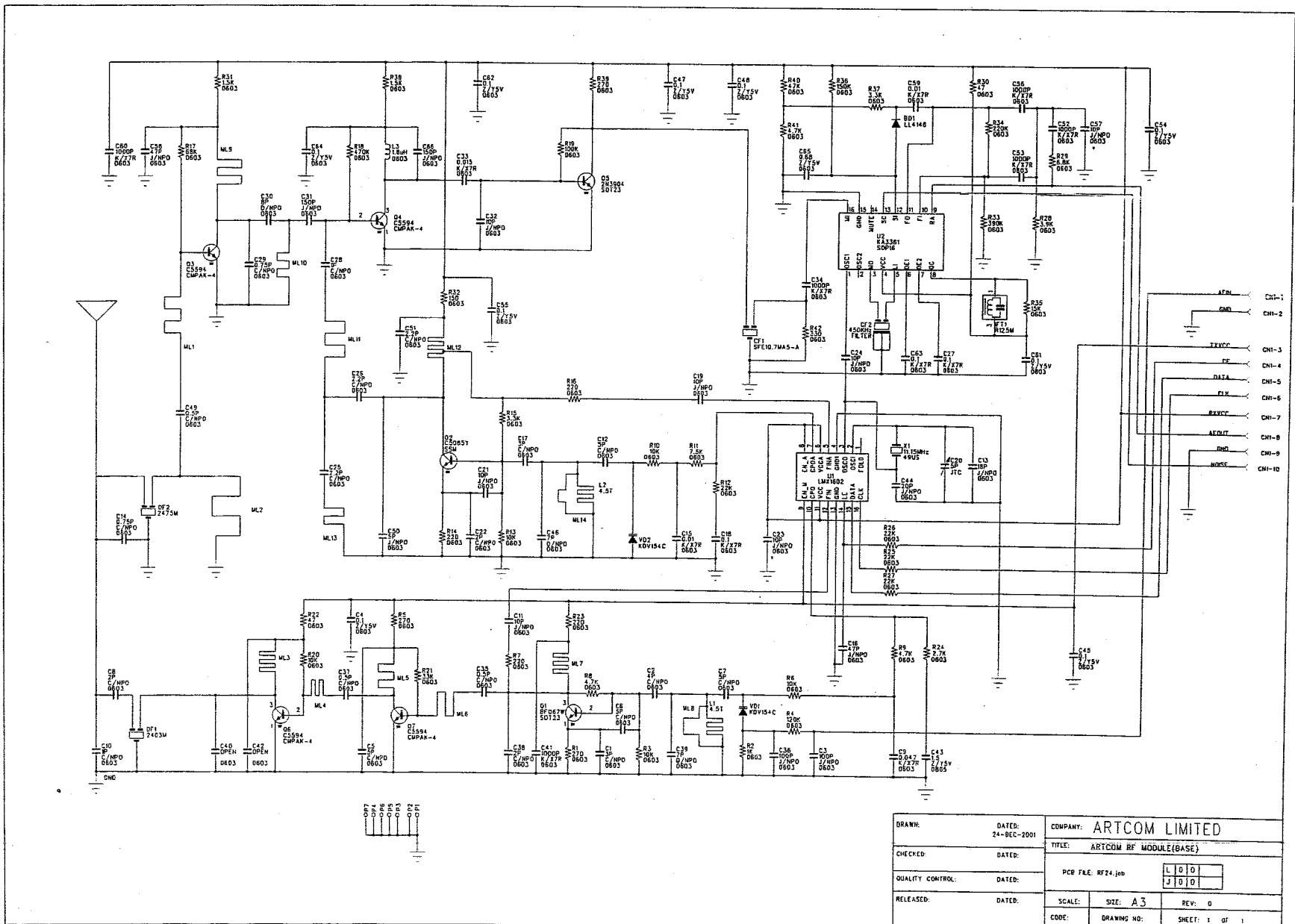
A

REVISION RECORD			
LTR	ECO NO:	APPROVED:	DATE:

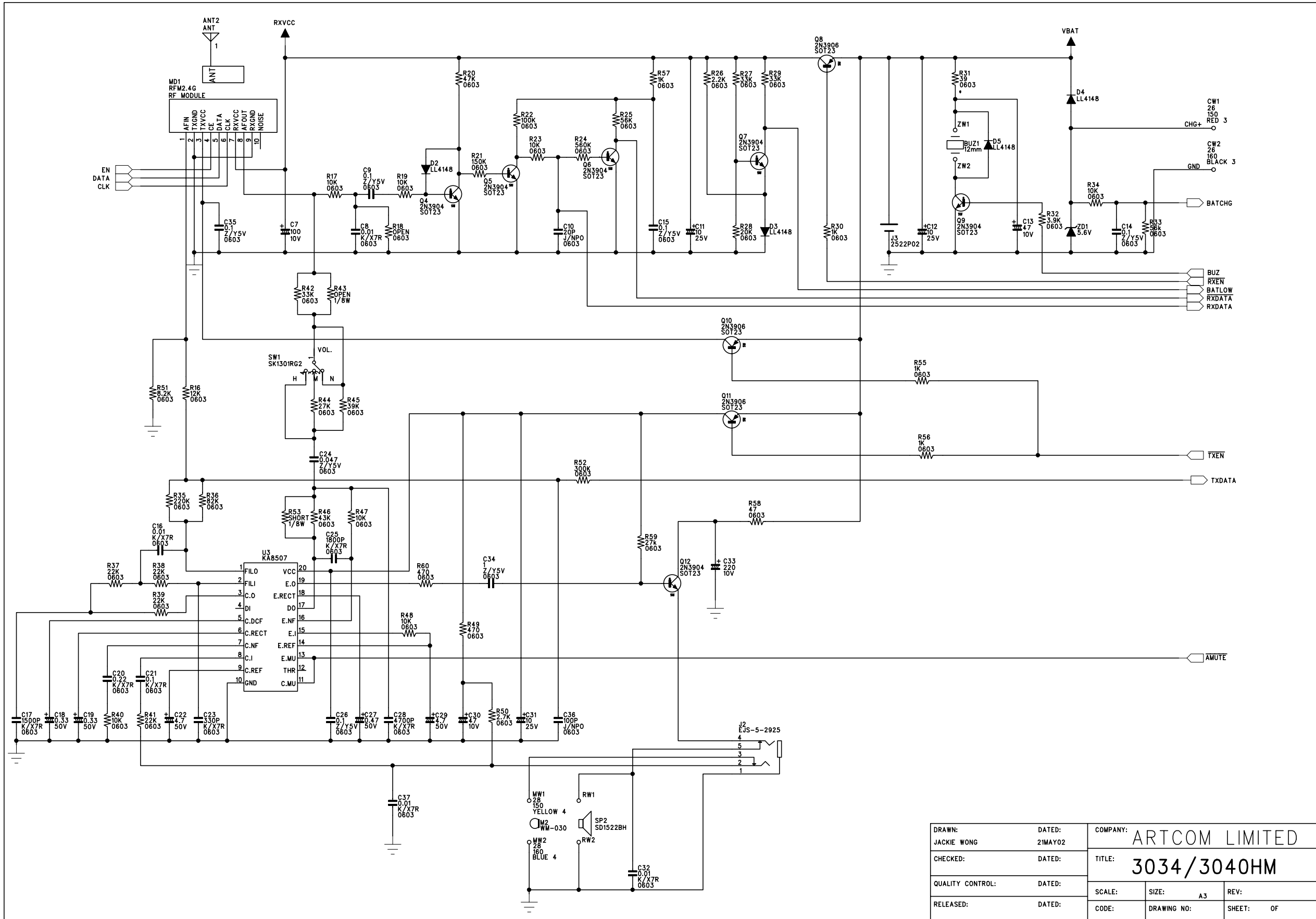


COMPANY: ARTCOM LIMITED			
TITLE: 3034 base switch			
CODE:	SIZE:	DRAWING NO:	REV:
SCALE:		SHEET: OF	

DRAWN:	DATED:
CHECKED:	DATED:
QUALITY CONTROL:	DATED:
RELEASED:	DATED:



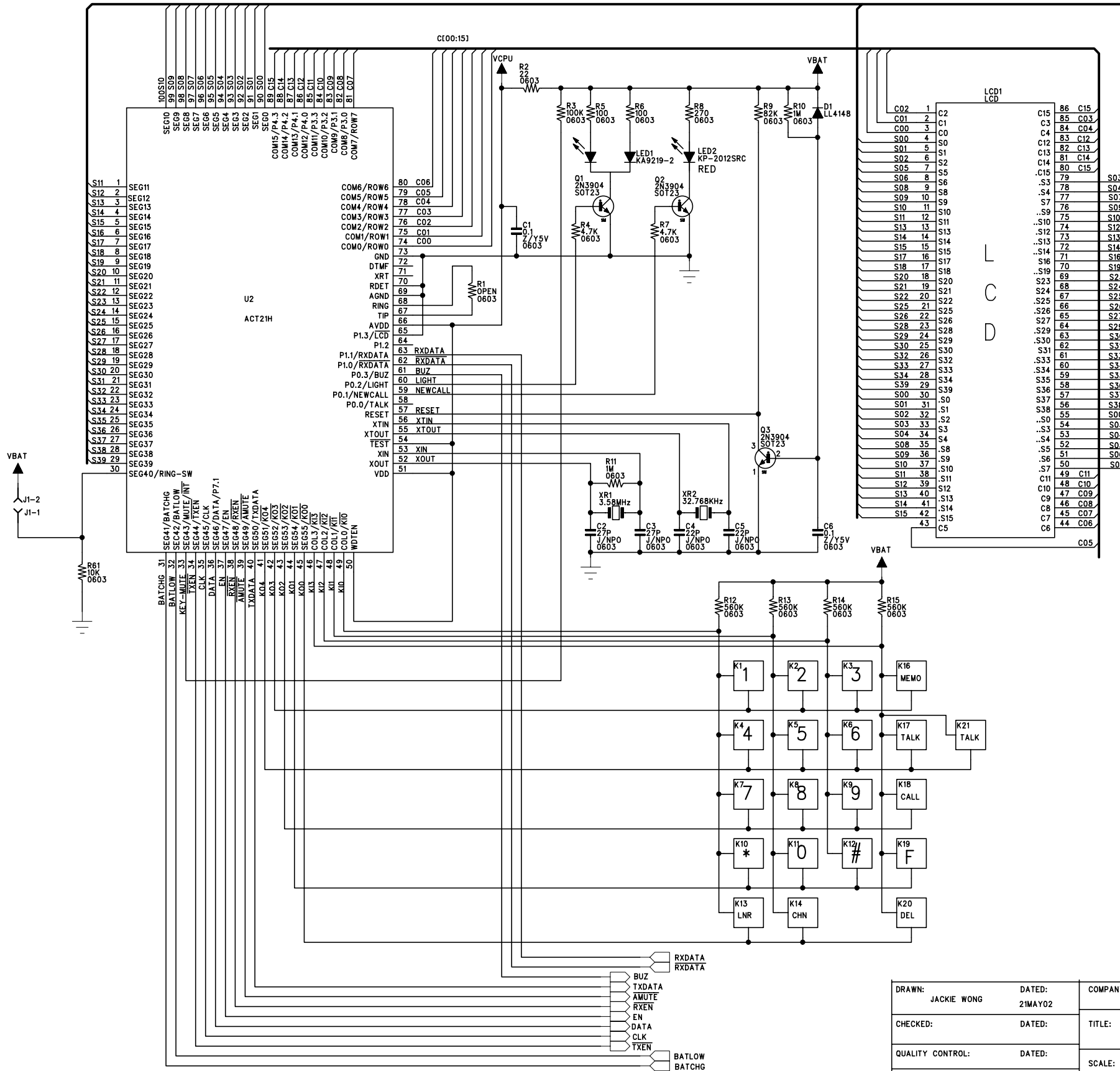
DRAWN:	DATED:	COMPANY: ARTCOM LIMITED	
	24-DEC-2001	TITLE: ARTCOM RF MODULE(BASE)	
CHECKED:	DATED:	PCB FILE: RF24.job	L O O
QUALITY CONTROL:	DATED:		J O O
RELEASED:	DATED:	SCALE:	SIZE: A3
		CODE:	REV: 0
		DRAWING NO:	SHEET: 1 of 1



DRAWN: JACKIE WONG	DATED: 21MAY02	COMPANY: ARTCOM LIMITED		
CHECKED:	DATED:	TITLE: 3034/3040HM		
QUALITY CONTROL:	DATED:	SCALE:	SIZE: A3	REV:
RELEASED:	DATED:	CODE:	DRAWING NO:	SHEET: OF

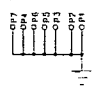
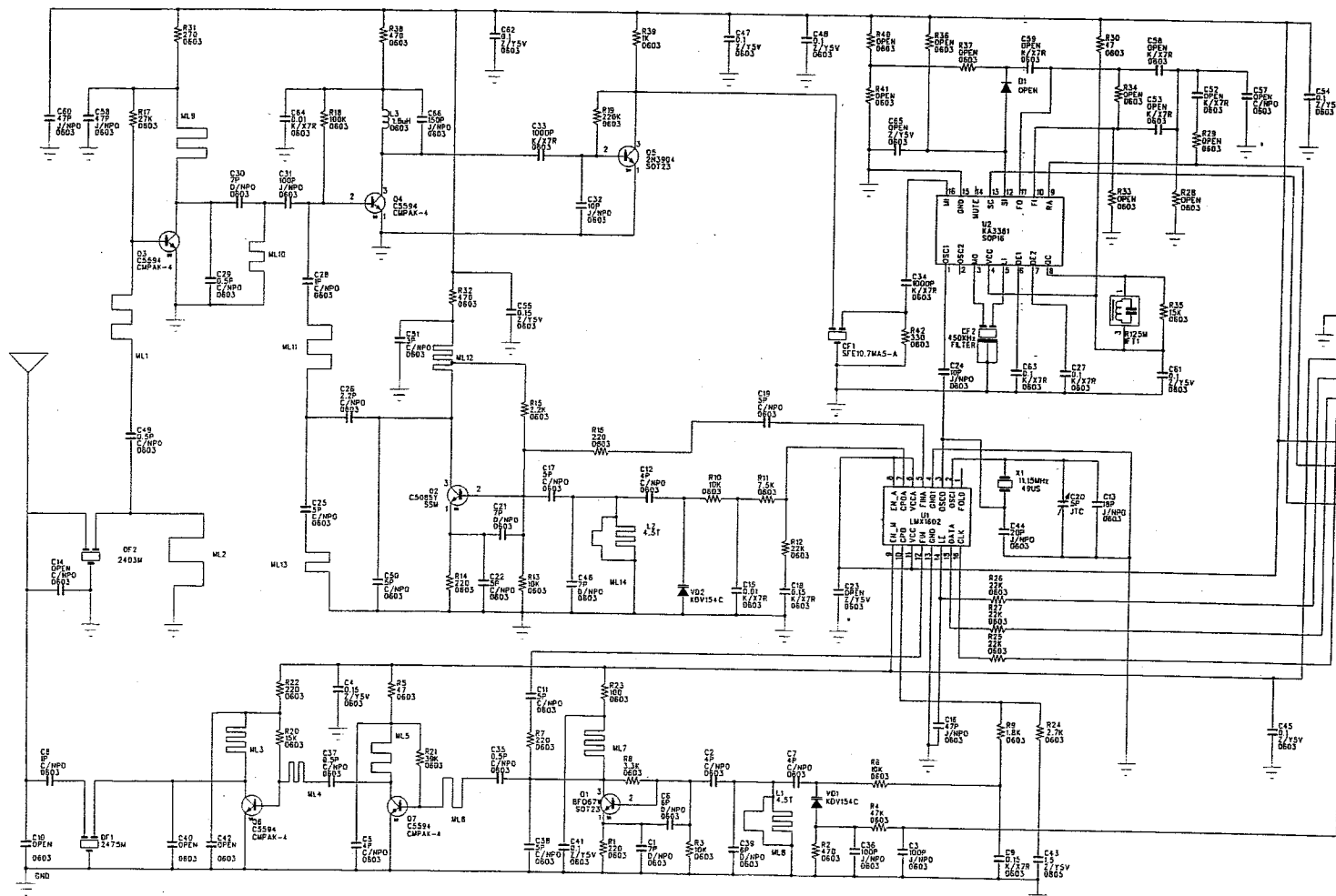
S100:391

S100:391



L	X	1
J	X	5

DRAWN: JACKIE WONG	DATED: 21MAY02	COMPANY: ARTCOM LIMITED		
CHECKED:	DATED:	TITLE: 3034/3040 HANDSET		
QUALITY CONTROL:	DATED:	SCALE:	SIZE: A3	REV:1
RELEASED:	DATED:	CODE:	DRAWING NO:	SHEET: 1 OF 1



DRAWN:		DATED: 24-DEC-2001		COMPANY: ARTCOM LIMITED							
CHECKED:		DATED:		TITLE: ARTCOM RF MODULE(HANDSET)							
QUALITY CONTROL:		DATED:		PCB FILE: RF24 JOB							
RELEASED:		DATED:		<table border="1"> <tr> <td>L</td> <td>0</td> <td>0</td> </tr> <tr> <td>J</td> <td>0</td> <td>0</td> </tr> </table>		L	0	0	J	0	0
L	0	0									
J	0	0									
		SCALE:		SIZE: A3							
		CODE:		DRAWING NO:							
				REV: 0							
				SHEET: 1 OF 1							