



東莞市仕研電子通訊有限公司

DONGGUAN SEYA ELECTRONIC COMMUNICATION CO.,LTD

供應商料号: SY-W402000G090C-L01

(Supplier part number)

产 品 名 称: WIFI ANTENNA

(Product name)

产 品 规 格: 2.4G WIFI ANTENNA FOR 907M-S26

(product specification)

地 址: 广东省东莞市大朗镇聚祥一路 26 号

ADD: No. 26, Juxiang 1st Road, Dalang Town, Dongguan  
City, Guangdong Province



東莞市仕研電子通訊有限公司

DONGGUAN SEYA ELECTRONIC COMMUNICATION CO.,LTD





### Electrical Properties

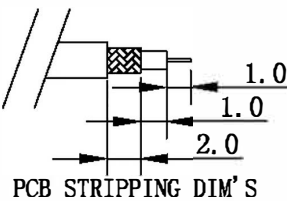
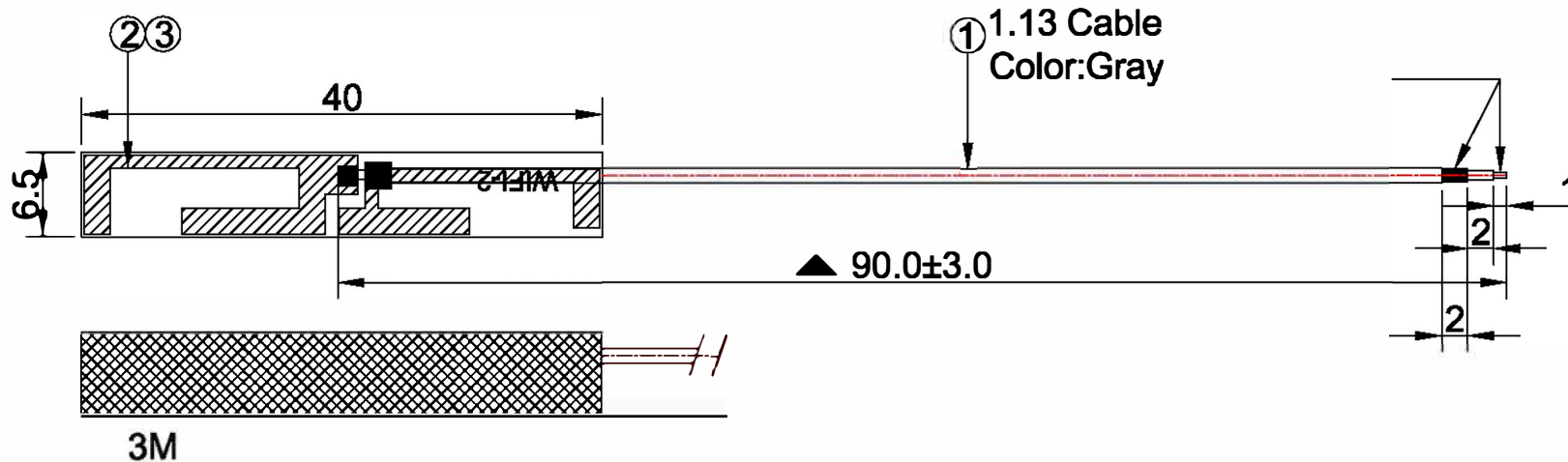
Frequency	2400-2500MHz
Impedance	50 Ohm Nominal
Return Loss	<-10 dB
VSWR	≤2.0
Peak GAIN	2.16 dBi

### Physical Properties

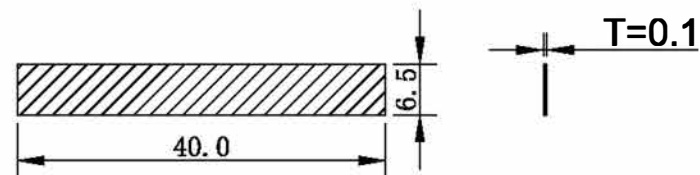
Antenna Material	Antenna ingredient: PCB
Cable Type	Φ1.13 CABLE
Operating Temp.	-40 ~ +85 °C
Storage Temp.	-45 ~ +85 °C
Cable Color	Gray

RoHS

REV.	CONTENT	DATE
A		2023.02.03



③ , size: 40.0\*6.5\*0.1mm

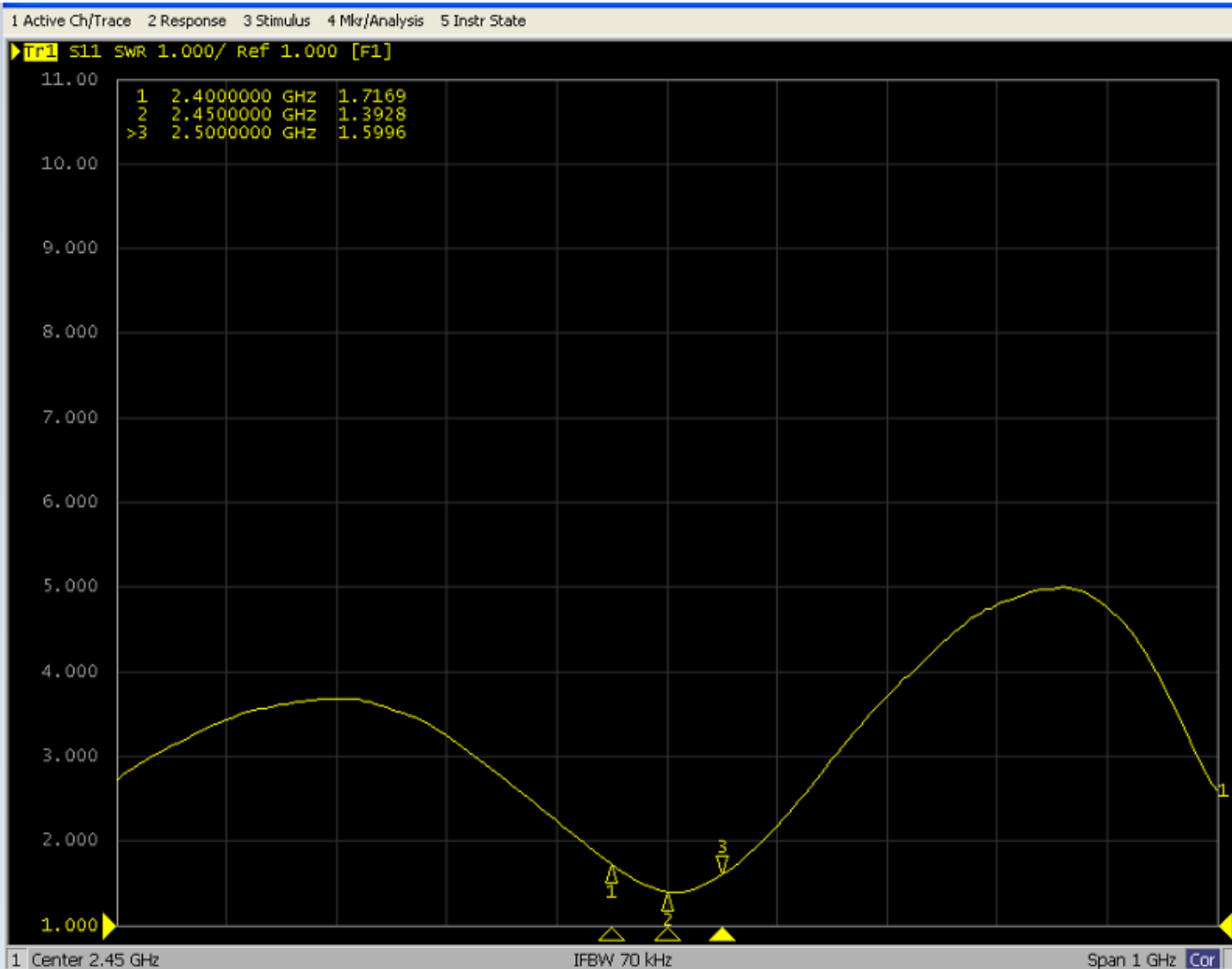


VSWR:  $\leq 2.0$   
PEAK GAIN: 3dBi

				CUSTOMER								
				SEYA 东莞市仕研电子通讯有限公司 DONGGUAN SEYA ELECTRONIC COMMUNICATION CO.,LTD		PART NO						
						TITLE		2.4-5.8G WIFI ANTENNA FOR 907M-S26				
						S. H P/NO		SY-W402000G090C-L01				
3	EVA100XXA.P01	3M double-sided tape , size: 40.0*6.5*0.1mm	1PC	 TOLERANCE UNLESS OTHERWISE SPECIFIED	SIZE	DRAWN	CHECKED	APPROVED				
2	PCB10113A	antenna PCB FR-4, Size: 47.5 * 7.5 *0.6mm	1PC		UNIT:mm	A4		Patrick	Jerry	Jammy		
1	COA11301A	Ø1.13mm Coaxial Cable (grey) L=90.0mm	1PC		ANGLES $\pm 0.5^\circ$ X. $\pm 2.0$							
NO.	Name	Finished	Qty	SHEET: 1/1	X. XX $\pm 0.2$	XX. $\pm 5.0$						
				SCALE: 1/1	X. X $\pm 0.5$	DATE: 2023. 02. 03						

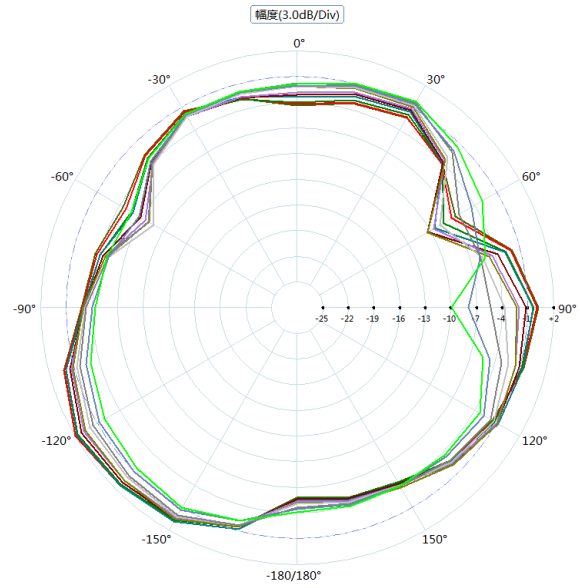
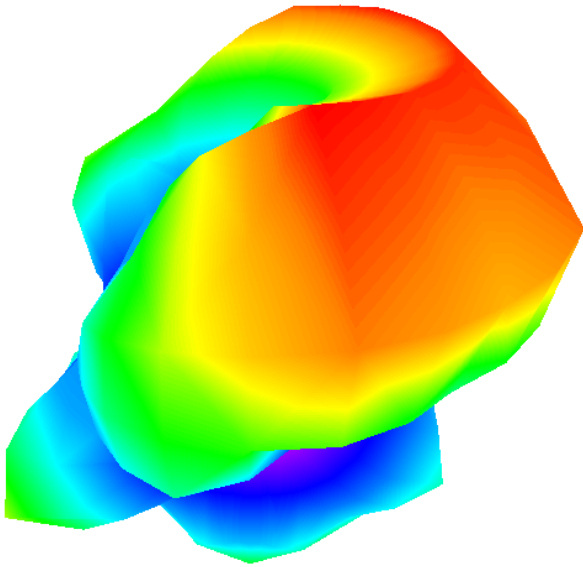


## S-Parameters





### Efficiency and Peak Gain



PASSIVE	参数\频率 (mhz)	2400	2410	2420	2430	2440	2450	2460	2470	2480	2490	2500
	Peak Gain(dBi)	1.76	1.59	1.78	1.55	2.16	1.57	1.88	2.09	1.66	1.74	2.11
Efficiency(%)	57.82	51.24	53.49	56.34	61.44	56.24	57.83	63.51	51.13	56.34	64.35	