

## MODEL 2400



### WARNING

**WARNING — THE INSTALLATION MUST BE CARRIED OUT BY A QUALIFIED ELECTRICIAN.**

1. LED Flush Mounts are suitable for using in damp locations
2. Please keep the LED Flush Mounts away from any corrosive substance, and please use dry cloth when you clean it
3. LED Flush Mounts can only be installed by a qualified electrician
4. Before installation or maintenance, please disconnect the power to prevent electric shock

### Application Notice

1. Turn OFF the power supply at the fuse or circuit breaker box before you install the fixture
2. Ground the fixture to avoid potential electric shocks and to ensure reliable starting
3. Double-check all connections to be sure they are tight and correct
4. Wear rubber soled shoes and work on a sturdy wooden ladder
5. This fixture is designed for use in a circuit protected by a fuse or circuit breaker. The fixture is also designed to be installed in accordance with local electrical codes. If you are unsure about your wiring, consult a qualified electrician or local electrical inspector, and check your local electrical code
6. **WARNING — RISK OF CUTS:** Some metal parts in the fixture may have sharp edges. To prevent cuts and scrapes, wear gloves when handling the parts
7. **WARNING — RISK OF FIRE:** Use 120V AC 50/60Hz circuits
8. **DO NOT** change the LED light source or driver inside under any circumstance
9. **DO NOT** cover the fixture with any heat insulated materials

### CAUTION

**PLEASE READ INSTRUCTION BEFORE COMMENCING INSTALLATION AND RETAIN FOR FUTURE REFERENCES.**

**Electrical products can cause death or injury, or damage to property.**

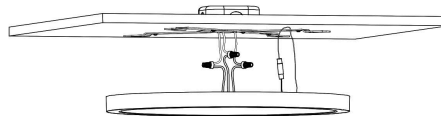
**If in any doubt about the installation or use of this product, consult a competent electrician.**

### INSTALLATION GUIDE

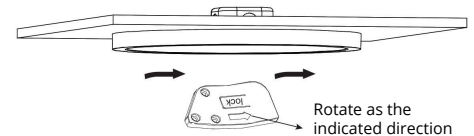
#### Surface Mount Installation



1. Turn OFF the switch. Screw the bracket to the junction box and ceiling

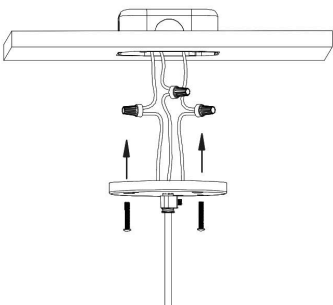


2. Connect lamp and bracket with steel safety wire-rope to prevent dropping. Use terminal caps to connect lamp input line with municipal power supply



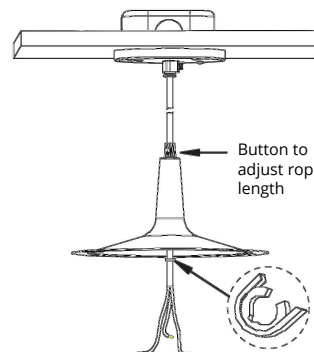
3. Rotate the lamp into the bracket in the indicated direction

#### Hanging Installation 1



1. Turn OFF the switch. Use terminal caps to connect metal plate input line with municipal power supply.

Screw the metal plate to the junction box



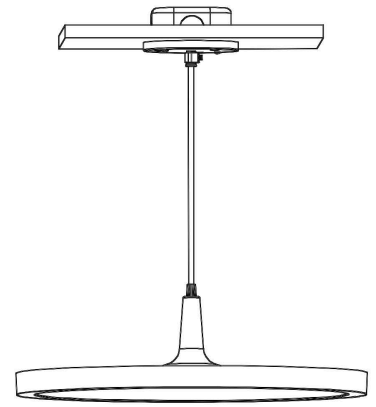
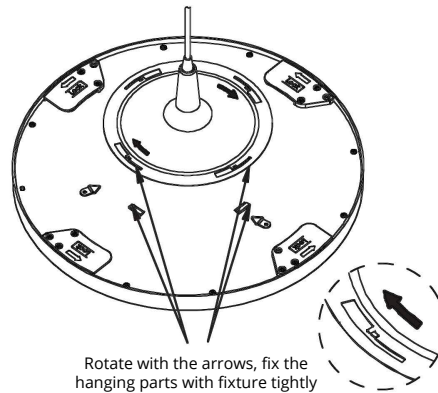
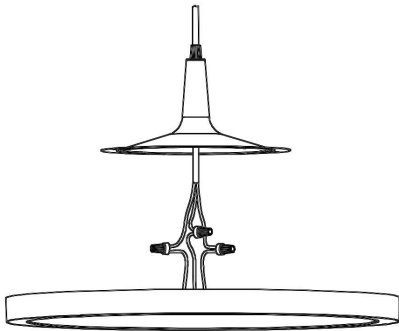
2. Turning the button in the picture to adjust pendant rope length

Lock ring to prevent dropping

### MODEL 2400

### INSTALLATION GUIDE

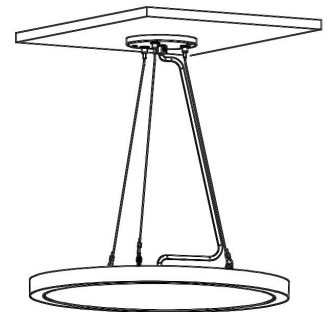
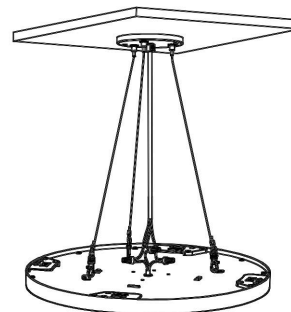
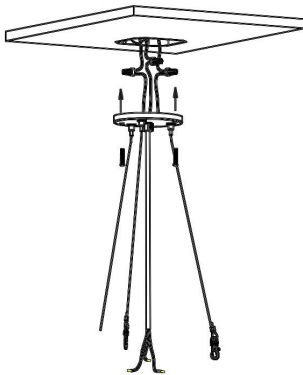
#### Hanging Installation 1



3. Use terminal caps to connect lamp input line with municipal power supply

4. Rotate the hanging plate kit in the indicated direction to lock the lamp. Then, installation is complete

#### Hanging Installation 2



1. Turn OFF the switch. Use terminal caps to connect metal plate input line with municipal power supply.

Screw the metal plate to the junction box

2. Press the button to adjust pendant rope length

3. Connect pendant rope and lamp with cable clips.

Use terminal caps to connect lamp input line with municipal power supply

4. Installation is complete

ORTECH reserves the right to modify at any time, without notice, any or all of our product's features, designs, components and specifications to meet market changes.