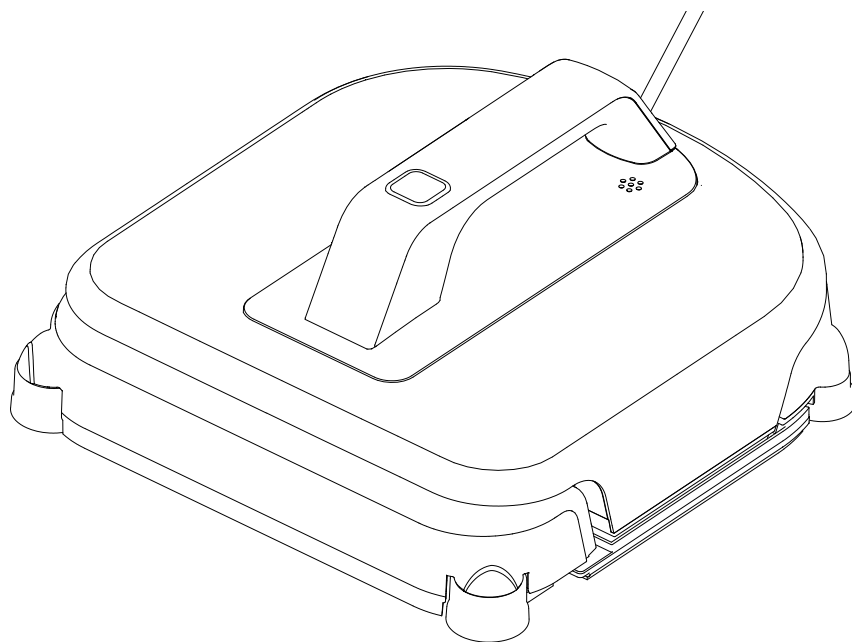


# Cleanmate

## Robot Window Cleaner

Cleanmate S 5000

# USER MANUAL



Congratulations on the purchase of your CC901! We hope it brings you many years of satisfaction. We trust the purchase of your new robot will help keep your home clean and provide you more quality time to do other things.

Should you counter situations that have not be properly addressed in this Instruction Manual, please contact our Customer Service Center where a technician can address your specific problem or question.

The company reserves the right to make technological and/or design changes to this product for continuous improevmt.

***Thank you for choosing CC901!***

---

## Contents

<b>1. Important Safety Instructions</b> .....	1
<b>2. Package Contents and Technical Specifications</b> .....	2
2.1 Package Contents.....	2
2.2 Specifications.....	2
2.3 Product Diagram.....	3
<b>3. Operating CC901</b> .....	4
3.1 Notes before Cleaning.....	4
3.2 Attach Cleaning Pad.....	5
3.3 Assemble Power Adapter.....	5
3.4 Install Safety Tether.....	5
3.5 Place Safety Pod.....	6
3.6 Spray Cleaning Solution.....	6
3.7 Start.....	7
3.8 Pause.....	8
3.9 Stop.....	9
<b>4. Maintenance</b> .....	10
4.1 Cleaning Pad.....	10
4.2 Fan, Sensors and Squeegees.....	10
4.3 Driving Treads.....	11
<b>5. Status Indicator Light and Sounds</b> .....	12
<b>6. Troubleshooting</b> .....	13

# 1. Important Safety Instructions

---

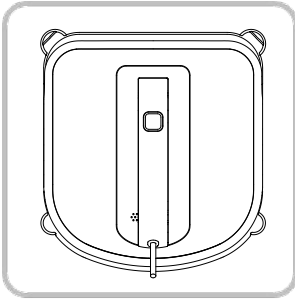
When using an electrical appliance, basic precautions should always be followed, including the following:

**READ ALL INSTRUCTIONS BEFORE USING THIS APPLIANCE. SAVE THIS INSTRUCTION MANUAL.**

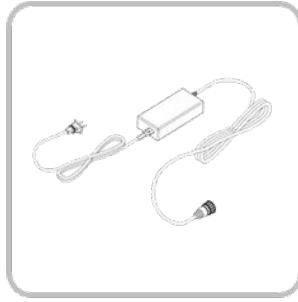
1. This Appliance is not intended to be used by children under or anyone lacking knowledge on proper use. Supervision may be necessary. Do not allow children to play with the Appliance.
2. Do not use the Appliance in extremely hot or cold environments (below 0°C/32°F or above 40°C/104°F). The Appliance can be used to clean outside windows if it is properly tethered to the Safety Pod, winds are calm, and it is not raining or snowing.
3. Please ensure the Appliance is plugged in while it is cleaning. The Appliance has a Back-Up Battery that charges during use. The Back-Up Battery powers the Appliance if it becomes unplugged or the electricity fails.
4. Do not leave the Appliance unattended when it is plugged in.
5. For household use ONLY. Do not use the Appliance in commercial or industrial environments.
6. Do not use the Appliance on cracked glass.
7. Only use accessories recommended or supplied by the manufacturer. Only use the Power Adapter supplied by the manufacturer. Please make sure your power supply voltage matches the power voltage marked on the Power Adapter.
8. Do not use the Appliance on a framed window with a frame smaller than 5mm (0.2 inches).
9. Do not use the Appliance on wet or greasy windows.
10. Store the Appliance away from heat and flammable materials.
11. Do not use the Appliance if it does not firmly attach to the glass or has visible signs of damage.
12. To reduce the risk of electrical shock, do not put the Appliance in water or other liquid. Do not place or store Appliance where it can fall or be pulled into a tub or sink.
13. Do not touch power plug or the Appliance with wet hands.
14. Do not charge the Appliance in extremely hot or cold environments, or it may affect battery life span.
15. When charging the Appliance, do not place it on other electrical appliances and keep it away from fire and liquid.
16. Take care not to damage the power cord. Do not pull on or carry the Appliance by the power cord, use the power cord as a handle, close a window on the power cord, or put heavy weights on the power cord. Keep power cord away from hot surfaces.
17. Do not use with a damaged power cord or receptacle. Do not use the Appliance if it is not working properly, has been dropped, damaged, or come in contact with water. It must be repaired by the manufacturer or its service agent in order to avoid a hazard.
18. If the supply cord is damaged, it must be replaced by the manufacturer or its service agent in order to avoid a hazard.
19. The plug must be removed from the receptacle before cleaning or maintaining the Appliance. Do not unplug the Power Adapter by pulling on the power cord.
20. The Back-Up Battery must be replaced by the manufacturer or its service agent in order to avoid a hazard.
21. The Back-Up Battery must be removed and discarded according to local laws and regulations before disposal of the Appliance.
22. The Appliance must be disconnected from the receptacle before removing the battery for disposal of the Appliance.
23. Please dispose of used batteries according to local laws and regulations.
24. Do not incinerate the Appliance even if it is severely damaged. The battery can explode in a fire.
25. The Appliance must be used in accordance with the directions in this Instruction Manual. Product manufacturer cannot be held liable or responsible for any damages or injuries caused by improper use.

## 2. Package Contents and Technical Specific

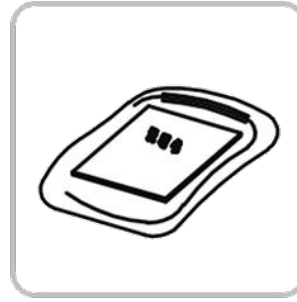
### 2.1 Package Contents



CC901



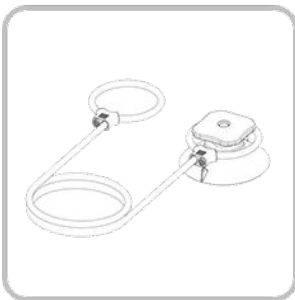
Power Adapter



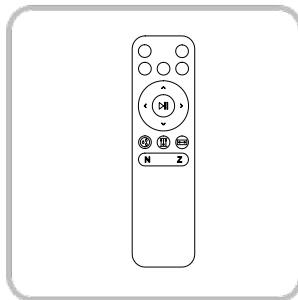
Instruction Manual



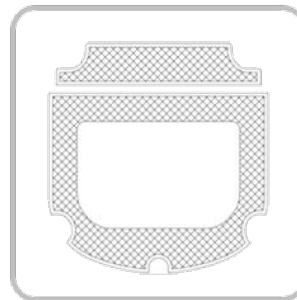
Extension Cord (1.5m/4'11)



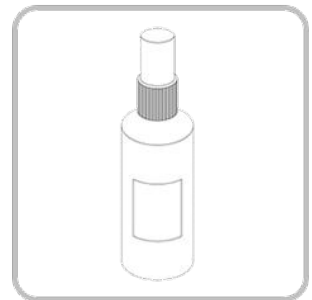
Safety Pod and Tether



Remote Control



Cleaning Pads



Cleaning Solution

### 2.2 Unit Specification

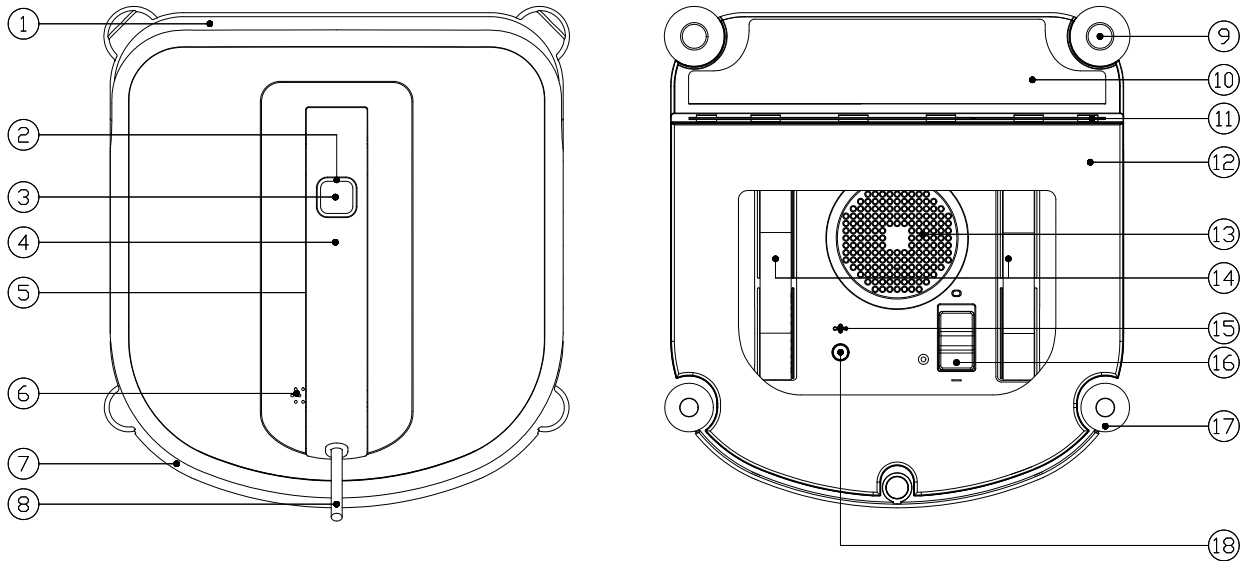
Model No	CC901		
Working Voltage	24V DC	Rated Power	75W
<b>Remote Control</b>			
Rated output voltage	3V DC		
<b>Power Adapter: GQ90-240375-E2</b>			
Input: 100-240v~50/60Hz 2.0A Max		Output: 24V DC 3.75A	

\* Technical and design specifications may be changed in the course of continuous product improvement.

## 2. Package Contents and Technical Specific

### 2.3 Product Diagram

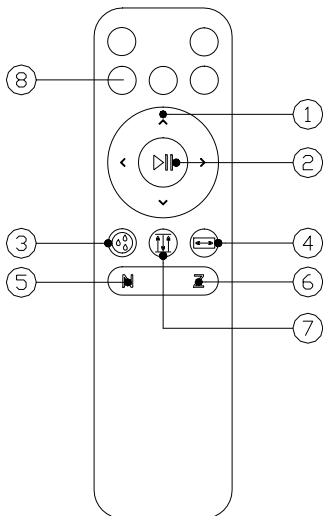
#### CC901 Unit



1. Front Bumper
2. Status Indicator Light
3. START/PAUSE Button
4. Handle
5. Upgrade port(for after-sale service)
6. Speaker
7. Rear Bumper
8. Power Cord

10. Cleaning Pad
11. Squeegees
12. Cleaning Pad
13. Fan
14. Driving Treads
15. Suction Sensor
16. Bottom Power Switch
17. Side Rollers
18. Status Indicator Light

#### CC901 Remote Control

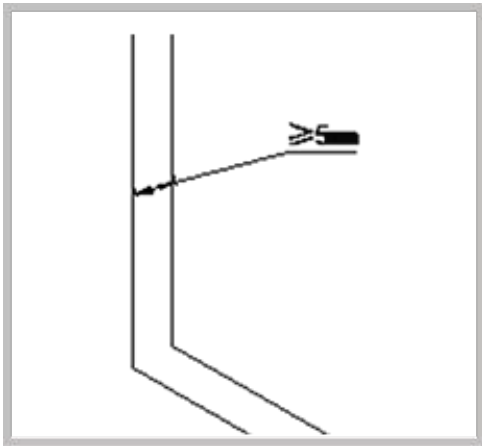


1. Direction Control Stick
2. START/PAUSE Button
3. Wheel Clean Button
4. Right Part Clean Button
5. N Cleaning Mode Button
6. Z Cleaning Mode Button
7. Repeat Clean Button
8. Undefined

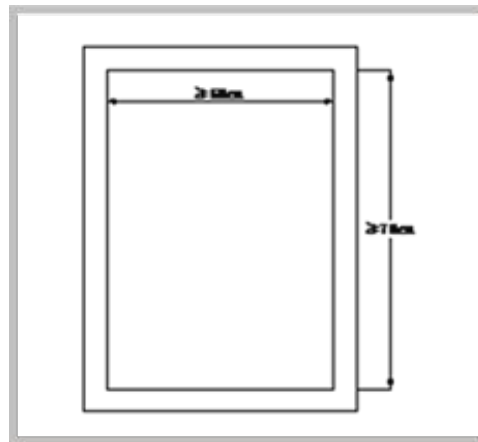
### 3. Operating CC901

---

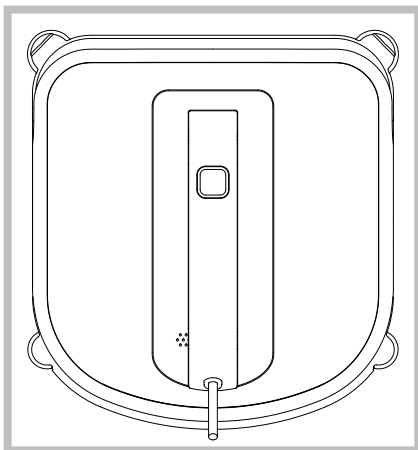
#### 3.1 Notes Before Cleaning



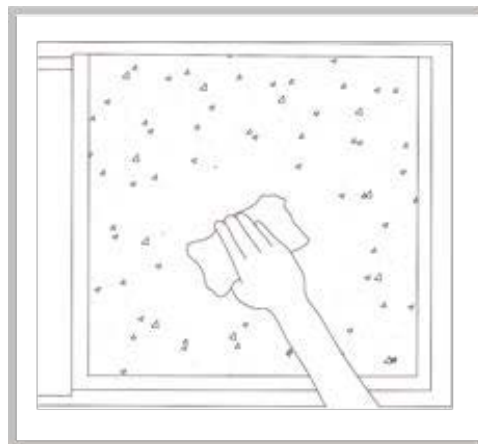
Do not use CC901 on a framed window with a frame smaller than 5mm (0.2").



CC901 can clean framed or frameless glass, larger than 50 x 50cm (19.7' x 19.7').



If CC901's Status Indicator Light flashes RED after powering ON, please connect the power cord to unit and power on. If the blue light flashes, the Back-Up Battery requires charging. Keep CC901 plugged in to charge the Back-Up Battery until the Status Indicator Light turns to solid BLUE (about 2 hours). CC901 will not clean when the RED light flashes.



If the window is covered with dirt, clean a small area on the glass before use and place CC901 there.

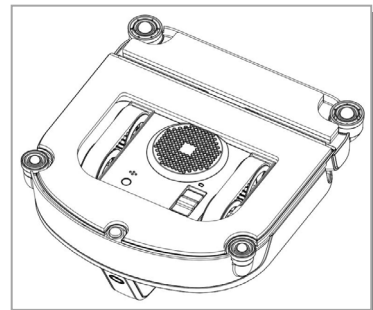
### 3. Operating CC901

---

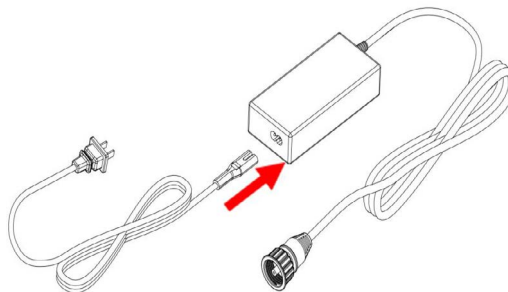
- Please sure there is a 13cm (5.1") clearance between the glass and obstacles in the room like curtains or furniture.
- CC901 can clean horizontally mounted glass but only when using the Direction Control Buttons on the Remote Control.
- CC901 can clean glass mounted at an angle but may not operate normally; in such a case, a person should be in the vicinity to assist should there be a problem.
- Do not use CC901 upside down.
- CC901 should only be used with CC901 Cleaning Solution. Using other cleaners significantly reduces CC901's performance and can damage the robot.
- Please refer to the manufacturer's care and cleaning instructions before using CC901 on glass with an uneven surface, such as frosted, textured, patterned, or coated glass. Product Manufacturer cannot be responsible for damage due to improper use on these surfaces.

#### 3.2 Attach the Cleaning Pad

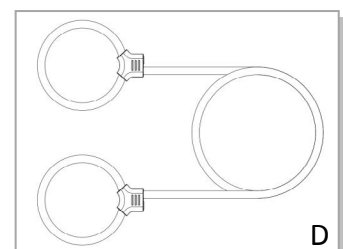
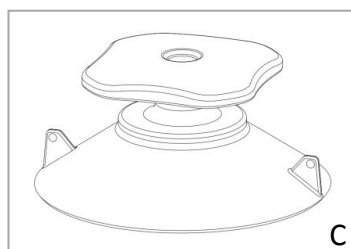
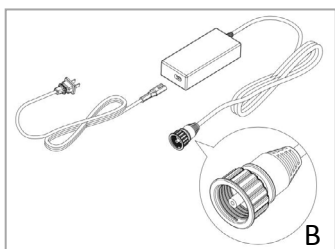
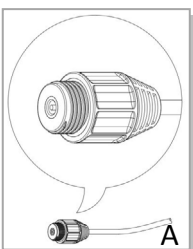
Turn CC901 over and attach the Cleaning Pad to the bottom of CC901 smoothly. The whiteside of the Cleaning Pad attaches to the Velcro, and the gray microfiber side faces out. Make sure the Cleaning Pad does not cover the Edge Detection Sensors, front bumper sensor and rear bumper sensors.



#### 3.3 Assemble the Power Adapter



#### 3.4 Install the Safety Tether



A: CC901 Power Cord

B: Power Adapter Power Cord

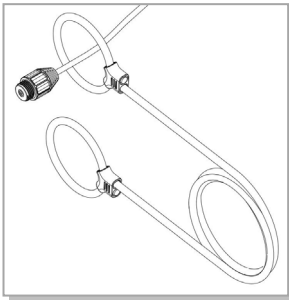
C: Safety Pod

D: Safety Tether

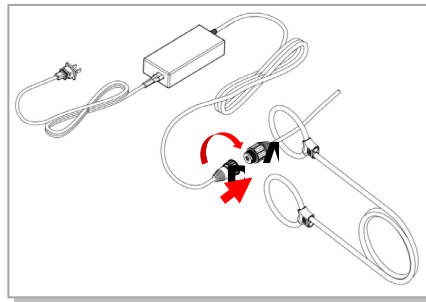


### 3. Operating CC901

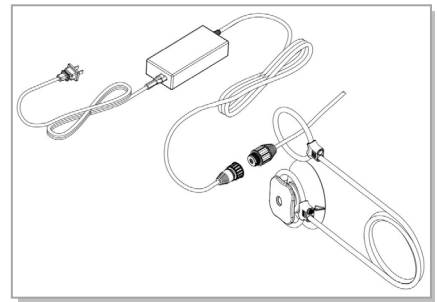
---



**1** Loop one end of the Safety Tether to end A on the CC901 Power Cord and tight.



**2** Connect end A and end B and tight.



**3** Loop the other end of the Safety Tether around the Safety Pod's channel and pull it tight.

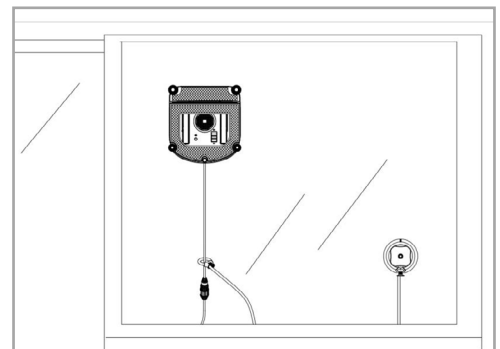
#### CAUTION:

- \* If the length of the power cord restricts CC901's movement, a CC901 Extension Cord can be used. Disconnect end A and end B, and connect them with both ends of the Extension Cord respectively and tight.
- \* Only one Extension Cord can be used for CC901.

### 3.5 Place the Safety Pod

Wipe the surface of the Safety Pod's suction cup clean with the provided Finishing Cloth.

- ◆ If CC901 is being used to clean an inside window:  
Press the Safety Pod **FIRMLY** on the top corner of the inside window. Make sure the Safety Pod is attached securely in place.
- ◆ If CC901 is being used to clean an outside window:  
Press the Safety Pod **FIRMLY** on the inside of the window being cleaned. Make sure the Safety Pod is attached and securely in place.



### 3.6 Spray Cleaning Solution

#### CAUTION:

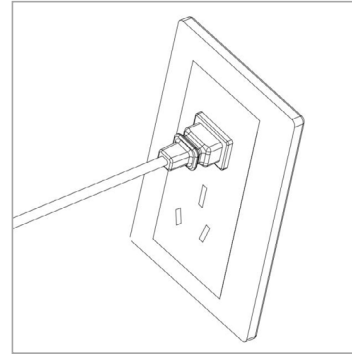
- \* CC901 is recommended to be used with CC901 Cleaning Solution. Using other cleaners may reduce CC901's performance.
- \* Spray the upper and lower sides of the Cleaning Pad with the provided CC901 Cleaning Solution times each. After spraying, wipe the bottom of CC901 with a dry cloth.

## 3. Operating CC901

### 3.7 Start

#### 1 Plug in CC901

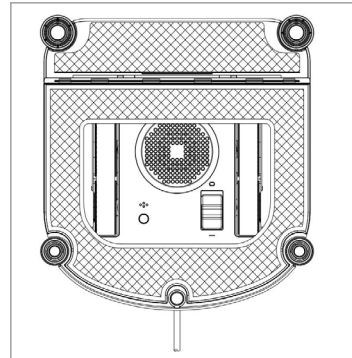
CAUTION: \* Do not unplug CC901 while it is cleaning.



#### 2 Power ON

Move the Power Switch to the "--" position. CC901 is powered ON when the Status Indicator Light flashes BLUE.

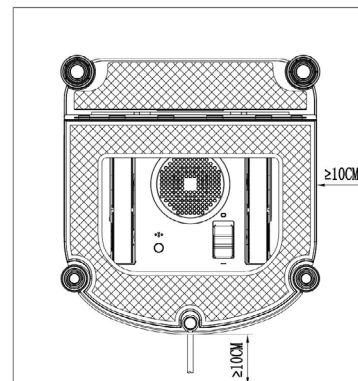
CAUTION: \* Keep objects away from CC901's Fan to avoid blockage.



#### 3 Place on the Glass

Place CC901 on the window at least 10cm(4") from window corners or other obstacles. CC901 has successfully attached to the window when the Status Indicator Light glows a continuous BLUE.

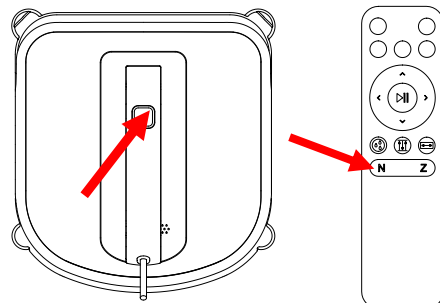
CAUTION: \* Please make sure there is a 13cm (5.1") clearance between the glass and obstacles in the room like curtains or furniture.



#### 4 Start

Start CC901 using one of the methods below.

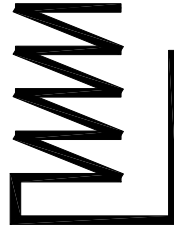
- Press the START/PAUSE button on CC901 or on the Remote Control to begin cleaning. CC901 will automatically choose "N" or "Z" cleaning path.
- Choose your own cleaning path by pressing the "N" or "Z" Cleaning Mode Button on the Remote Control to begin cleaning.



### 3. Operating CC901



" N " Cleaning Mode is Best for tall windows. CC901 cleans in an " N " path.



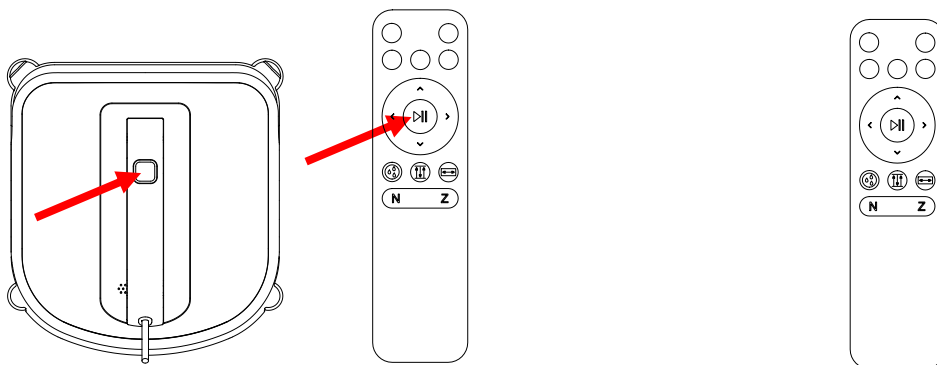
" Z " Cleaning Mode is best for wide windows. CC901 cleans in a " Z " path.

CAUTION: If the remote control not able to command the CC901 unit. Please check below steps match code for CC901 and the remote control.

Follow above preparation steps and stick the CC901 onto window glass.

1. Press the CC901 left rear bumper without release, at the same time press the START/PAUSE button on robot handle. The START/PAUSE button will begin twinkles between blue and red light. Then release your two hands.
2. Press the " Z " and "Repeat Clean" button on the remote control at the same time.
3. The START/PAUSE button will turns to solid red light. At the same time the speaker will buzz. It means the remote control successfully matchcode with robot cleaner.

#### 3.8 Pause



Pause CC901 during cleaning by pressing the START/PAUSE button on the robot or on the Remote Control.

Direct CC901 to move forward, backward, left and right using the Direction Control stick on the Remote Control when Paused. CC901 cleans when the Direction Control stick are used. Switch to a different Cleaning Mode using the Cleaning Mode Buttons on the Remote Control when Paused.

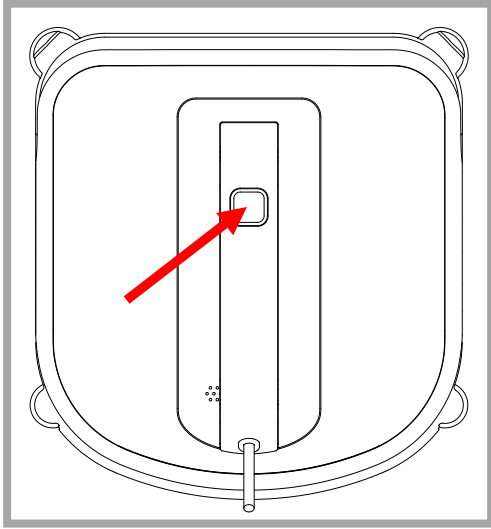
### 3. Operating CC901

#### 3.9 Stop

When CC901 completes its cleaning cycle, it returns to the place it started and beeps.

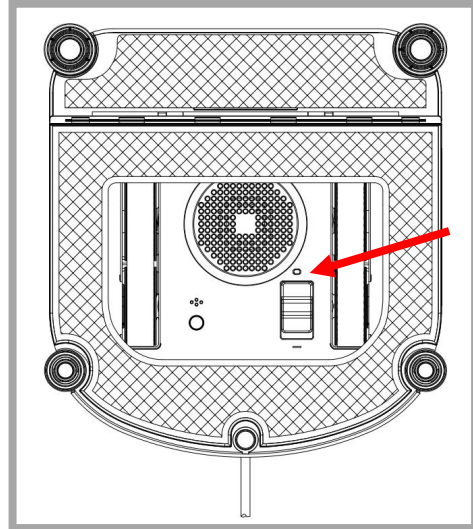
##### 1 Remove CC901

- ◆ Grasp CC901's Handle. Press and hold for approximately 5 seconds and the fan will stop. Remove CC901 from the window. Polish away any marks left on the glass from CC901's removal with a mopping cloth.



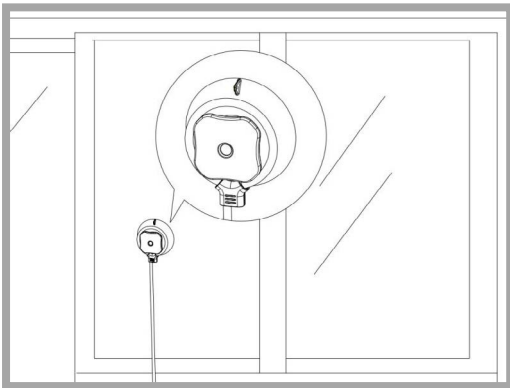
##### 2 Power OFF

- ◆ Move the Power Switch to the "o" position.

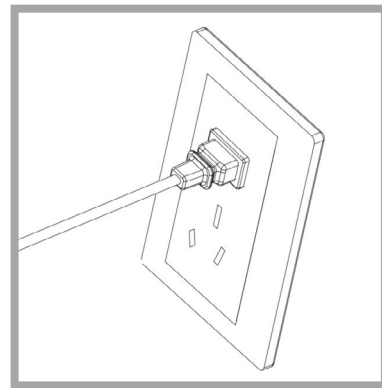


##### 3 Remove the Safety Pod.

- ◆ Polish away any marks left on the glass from the Safety Pod's removal with the provided Finishing Cloth.



##### 4 Unplug CC901



**CAUTION:** If CC901 has a problem and the alarm Light flashes RED, please firstly check if the power cord connected well and the unit is powered on. The LED light should be in blue color if the power connection is good, and it will automatically starts cleaning. If the RED light keeps flashing though power connection is good, please use remote control direction stick operate CC901 leave current position. When the blue light turns solid, press START/PAUSE button to restart.

## 4. Maintenance

---

Before performing cleaning and maintenance on CC901, Power OFF and unplug CC901 from the glasses.

### 4.1 Cleaning Pad

Turn CC901 over and remove the Cleaning Pad. Soak the Cleaning Pad in 20°C, clean water for 2 minutes. Hand wash with mild detergent and lay flat to dry. Allow it to dry completely before re-attaching it to CC901.

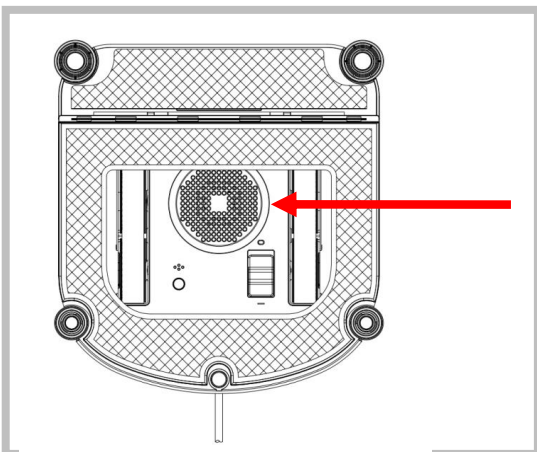
#### CAUTION :

Do NOT use a wet Cleaning Pad on CC901 or it may slip on the window. Washing the Cleaning Pad regularly can extend its service life. If the Cleaning Pad becomes worn or no longer fits properly within the velcro area, replace it with a new one to achieve best cleaning performance.

### 4.2 Unit Bottom Maintenance

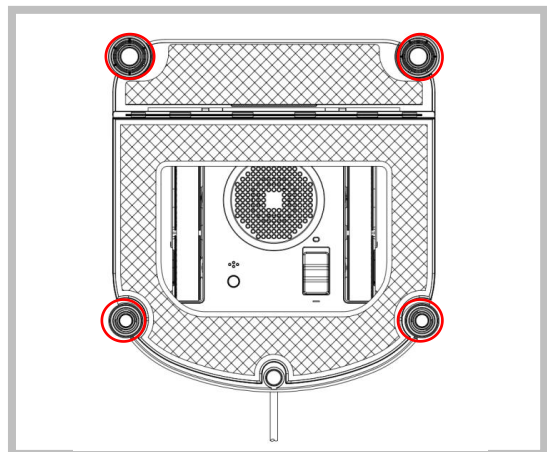
#### Fan

Turn CC901 over and wipe any debris from the Fan with a dry cloth to maintain suction well.



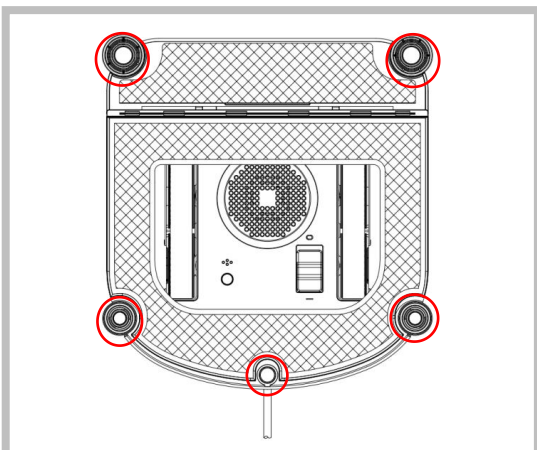
#### Side Rollers

Turn CC901 over and wipe the four Side Rollers with dry cloth to maintain their effectiveness.



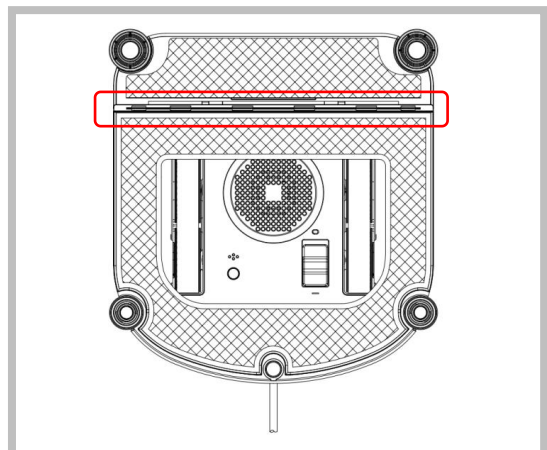
#### Edge Detection Sensors

Turn CC901 over and wipe the five Edge Detection Sensors clean with a dry cloth to maintain their effectiveness.



#### Squeegees

Turn CC901 over and wipe the squeegees with a dry cloth to maintain their effectiveness.

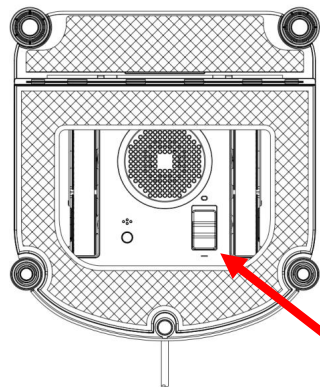


## 4. Maintenance

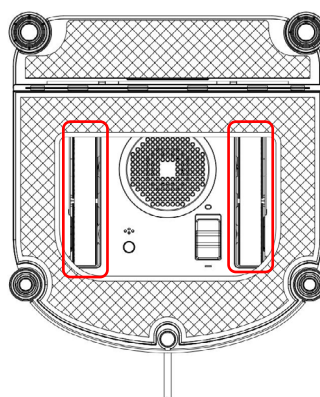
---

### 4.3 Driving Treads

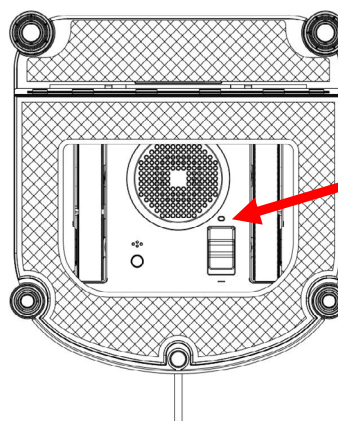
**Turn CC901 over and move the Power Switch to "--" position.** The fan motor will shut down about 8 seconds later. Press the "Wheel Clean" button on remote control start to clean the wheels.



**Inspect the Driving Treads**  
Treads by using the START/PAUSE button on the Remote Control. Stop the Driving Treads and use dry cloth clean it if dirt is seen on the Treads.



**Move the Power**  
Switch to the "O" position.



## 5. Status Indicator Light and Sounds

---

Twinkles Blue (slowly)	CC901 will not clean until the Back-Up Battery is properly charged.
Flashes Blue (quicker)	CC901 is powered ON and ready to be placed on the glass.
Solid Blue	CC901 has successfully adhered itself to the glass and is ready to clean.
Flashes Red	CC901 power connection has a problem or the vacuum is not good enough. Please refer to section 6.
Circle Running LED light	Running LED lights will be lights on in counterclockwise sequence while CC901 was turned on.
	Running LED lights turns to solid when vacuum is enough and ready.
	Only partial Running LED lights on when vacuum is not enough and not ready.

## 6. Troubleshooting

No	Malfunction	Possible Causes	Solutions
1	Status Indicator light flashes BLUE when CC901 adhered to glass	Cleaning pads was installed improperly	Remove the cleaning pad and adhere neatly onto the velcro.
		Edge detection sensors with problem	Check if the edge detection sensors was stucked by cleaning pad or dirts.
		There is too much dirt and debris on the window.	Clean the window by hand to have a clean area for the CC901 adhere to first.
2	Status Indicator light flashes RED	Interruption of electricity while CC901 was cleaning due to power failure,plug displacement,or loose Connection to the PowerAdapter.	A. Connect CC901 to the Power Adapter and plug into the wall outlet. Press Start/Pause button on CC901 or on theRemote Control. CC901 will resume cleaning.
			B. In case of power failure, and the above solution does not work, please use theDirection Stick on the Remote Control to direct CC901 to a position on the Window where you can safely reach it, turn off the fan and remove it from the window. If power has resumed, place CC901 on the window again and rest art. CAUTION: *It is risky to use direction stick command unit, please make sure there is always people standby the product.
3		CC901 has moved over a problem area and is losing suction.	Please use the Direction Stick on the Remote Control to direct CC901 to a Safety position . CAUTION: *It is risky to use direction stick command unit, please make sure there is always people standby the product.
		Edge Detection Sensors are with problem	Please check if edge detection sensors was stucked and clean the dirts on it. If it still does not work, please contact customer service.
4	Unit moves in an irregular Pattern during cleaning.	There is too much dirt and debris on glasson the window.	A. Clean the Driving Treads as described in section 4. B. Replace the Cleaning Pad and restart the cleaning cycle.
5	Remote control does not work	While the CC901 is in cleaning mode,only the "START/PAUSE" button works	Press "START/PAUSE" button to stop cleaning first, then press other buttons to command CC901.
		Unit didn't matched code with Remote control	