

Installation instructions ..... 2  
Instructions d'installation ..... 21  
Instrucciones de instalación ..... 39



DOWNDRAFT HOOD HDD80050UC, HDD86050UC  
HOTTE À TIRAGE DESCENDANT HDD80050UC, HDD86050UC  
CAMPANA DE TIRO DESCENDENTE HDD80050UC, HDD86050UC



---

# TABLE OF CONTENTS

<b>ABOUT THIS MANUAL</b> .....	3
Be sure to observe all listed warnings and cautions.....	3
<b>IMPORTANT SAFETY INSTRUCTIONS</b> .....	4-7
General Notes .....	4
Proper Installation and Maintenance .....	5
Fire Safety .....	6
Child Safety .....	7
State of California Proposition 65 Warnings.....	7
Protecting The Environment.....	7
<b>BEFORE YOU BEGIN</b> .....	8
Installation Review .....	8
Tools Needed .....	8
Parts supplied .....	8
<b>PLAN THE INSTALLATION</b> .....	9
Select ducting option .....	9
Ductwork Preparation.....	9
Plan cabinetry .....	9
<b>DUCT EQUIVALENT CHART</b> .....	10
<b>SYSTEM DIMENSIONS</b> .....	11
<b>ACCESSORIES</b> .....	12
<b>INSTALLATION</b> .....	13-20
Take measurements .....	13
Cut countertop opening .....	13
Installation with cooktops.....	13
Prepare downdraft housing .....	14
Optional: Electrical panel can be mounted in a remote location .....	14
A - Installation using flexible blower attached to downdraft .....	15
B - Installation using flexible or remote blower - mounted in a remote location - ducting through front panel opening .....	15
C - Installation using flexible or remote blower - mounted in a remote location - ducting through left, right or rear .....	16
Cut out ductwork opening in cabinet .....	16-17
Mount downdraft in cabinet .....	17
Gas cooktops only: Install gas cooktop seal kit .....	18
Install roof cap, wall cap, or remote blower .....	18
Connect ductwork .....	18
Install electrical panel .....	18
Plan house wiring .....	18
Install electrical wiring .....	19
Install cooking appliance .....	20
Attach endcaps to downdraft .....	20
<b>BOSCH® SUPPORT</b> .....	21

Additional information on products, accessories, replacement parts and services can be found at [www.bosch-home.com](http://www.bosch-home.com) and in the online shop [www.bosch-home.com/us/store](http://www.bosch-home.com/us/store)

---

## ABOUT THIS MANUAL

### Be sure to observe all listed warnings and cautions.

Look for the triangles with exclamation marks inside.

---

**▲ WARNING**

This indicates that death or serious injuries may occur as a result of non-observance of this warning.

---

---

**▲ CAUTION**

This indicates that minor or moderate injuries may occur as a result of non-observance of this warning.

---

**NOTICE:** This indicates that damage to the appliance or property may occur as a result of non-compliance with this advisory.

**NOTE:** This alerts you to important information and/or tips.

Pay special attention to the important safety instructions in the “Safety” section.



# IMPORTANT SAFETY INSTRUCTIONS

READ AND SAVE THESE INSTRUCTIONS

## General notes

Examine the appliance after unpacking it. In the event of transport damage, do not plug it in.

---

### WARNING

TO REDUCE THE RISK OF FIRE, ELECTRIC SHOCK, OR INJURY TO PERSONS, OBSERVE THE FOLLOWING:

- Use this unit only in the manner intended by the manufacturer. If you have questions, contact the manufacturer.
- Before servicing or cleaning unit, switch power off at service panel and lock the service disconnecting means to prevent power from being switched on accidentally.
- When the service disconnecting means cannot be locked, securely fasten a prominent warning device, such as a tag, to the service panel.

---

### WARNING

WARNING – TO REDUCE THE RISK OF FIRE, ELECTRIC SHOCK, OR INJURY TO PERSONS, OBSERVE THE FOLLOWING:

- Installation work and electrical wiring must be done by qualified person(s) in accordance with all applicable codes and standards, including fire-rated construction.
- Sufficient air is needed for proper combustion and exhausting of gases through the flue (chimney) of fuel burning equipment to prevent back drafting. Follow the heating equipment manufacturer's guideline and safety standards such as those published by the National Fire Protection Association (NFPA), and the American Society for Heating, Refrigeration and Air Conditioning Engineers (ASHRAE), and the local code authorities.
- When cutting or drilling into wall or ceiling, do not damage electrical wiring and other hidden utilities.
- Ducted fans must always be vented to the outdoors.

---

**INSTALLER:** LEAVE THESE INSTRUCTIONS WITH THE APPLIANCE AFTER INSTALLATION IS COMPLETE.

---

---

**OWNER:** SAVE FOR THE LOCAL INSPECTOR'S USE.

---

---

### WARNING

When properly cared for, your new appliance has been designed to be safe and reliable. Read all instructions carefully before use. These precautions will reduce the risk of burns, electric shock, fire, and injury to persons. When using kitchen appliances, basic safety precautions must be followed, including those in the following pages.

---



# IMPORTANT SAFETY INSTRUCTIONS

READ AND SAVE THESE INSTRUCTIONS

## Proper Installation and Maintenance

---

### WARNING

Remove all tape and packaging before using the appliance. Destroy the packaging after unpacking the appliance. Never allow children to play with packaging material.

---

**INSTALLER:** Show the owner the location of the circuit breaker or fuse. Mark it for easy reference.

This appliance must be properly installed and grounded by a qualified technician. Connect only to properly grounded outlet. Refer to Installation Instructions for details.

This appliance is intended for normal family household use only. It is not approved for outdoor use. See the Statement of Limited Product Warranty in the Use and Care Guide. If you have any questions, contact the manufacturer.

Do not store or use corrosive chemicals, vapors, flammables or nonfood products in or near this appliance. It is specifically designed for use when heating or cooking food. The use of corrosive chemicals in heating or cleaning will damage the appliance and could result in injury.

Do not operate this appliance if it is not working properly, or if it has been damaged. Contact an authorized servicer.

Do not repair or replace any part of the appliance unless specifically recommended in this manual. Refer all servicing to a factory authorized service center.

---

### WARNING

Make sure the appliance and lights are cool and power to the appliance has been turned off before replacing the LED (if equipped). Failure to do so could result in electrical shock or burns.

---

### CAUTION

Grease left on filters can melt and move into the vent and catch fire.

---

### WARNING

Hidden surfaces may have sharp edges. Use caution when reaching behind or under appliance.

---

### WARNING

Unit is heavy and requires at least two people or proper equipment to move and install.

---

### WARNING

Tie long hair so that it does not hang loose, and do not wear loose fitting clothing or hanging garments, such as ties, scarves, jewelry, or dangling sleeves.

---

### WARNING

When the hood is operated in exhaust-air mode simultaneously with a different appliance which also makes use of the same chimney (such as gas, oil or coal-fired heaters, continuous-flow heaters, hot-water boilers) care must be taken to ensure that there is an adequate supply of fresh air which will be needed by the appliance for combustion.

This can be achieved if combustion air can flow through non-lockable openings, e.g. in doors, windows and via the air-intake/exhaust-air wall box or by other technical measures, such as reciprocal interlocking, etc.

---

### WARNING

Avoid carbon monoxide poisoning – Provide adequate air intake so combustion gases are not drawn back into the room. An air-intake/exhaust-air wall box by itself is no guarantee that the limiting value will not be exceeded.

**Note:** When assessing the overall requirement, the combined ventilation system for the entire household must be taken into consideration. This rule does not apply to the use of cooking appliances, such as cooktops and ovens.

---

### WARNING

To avoid electrical shock hazard, before installing, switch power off at the service panel and lock the panel to prevent the power from being switched on accidentally.



# IMPORTANT SAFETY INSTRUCTIONS

## READ AND SAVE THESE INSTRUCTIONS

### Fire Safety

---

#### WARNING

Use this appliance only for its intended use as described in this manual.

Always have a working smoke detector near the kitchen. In the event that personal clothing or hair catches fire, drop and roll immediately to extinguish flames.

Have an appropriate fire extinguisher available, nearby, highly visible and easily accessible near the appliance.

Smother flames from food fires other than grease fires with baking soda. Never use water on cooking fires.

---

#### WARNING

TO REDUCE THE RISK OF INJURY TO PERSONS IN THE EVENT OF A RANGE TOP GREASE FIRE, OBSERVE THE FOLLOWING:<sup>a</sup>

- a. SMOTHER FLAMES with a close-fitting lid, cookie sheet, or metal tray, then turn off the burner. BE CAREFUL TO PREVENT BURNS. If the flames do not go out immediately, EVACUATE AND CALL THE FIRE DEPARTMENT.
- b. NEVER PICK UP A FLAMING PAN – You may be burned.
- c. DO NOT USE WATER, including wet dishcloths or towels – a violent steam explosion will result.
- d. Use an extinguisher ONLY if:
  - You know you have a Class ABC extinguisher, and you already know how to operate it.
  - The fire is small and contained in the area where it started.
  - The fire department is being called.
  - You can fight the fire with your back to an exit.

<sup>a</sup> Based on “Kitchen Fire Safety Tips” published by NFPA.

---

Whenever possible, do not operate the ventilation system during a cooktop fire. However, do not reach through fire to turn it off.

Seal the connection points of the ducts appropriately.

- Ductwork must vent outside, not into attic spaces for example, unless the available 'Non-duct Recirculation Kit' is used.

---

#### WARNING

##### RISK OF FIRE

When gas burners are in operation without any cookware placed on them, they can build up a lot of heat. A ventilation appliance installed above the cooker may become damaged or catch fire. Only operate the gas burners with cookware on them.

---

#### WARNING

##### RISK OF FIRE

Hot oil and fat catch fire fast. Never leave hot oil and fat unsupervised. Never extinguish a fire with water. Switch off the cooking position. Suffocate flames carefully with a lid, a fire blanket or similar.

---

#### WARNING

##### RISK OF FIRE

Grease deposits in the grease filter can ignite. Clean the grease filter at least every two months or as frequently as necessary. Never operate the appliance without the grease filter.

---

#### WARNING

##### RISK OF FIRE

Grease deposits in the grease filter can catch fire. Never work with a naked flame near the appliance (e.g. flambéing). Install the unit near a heat-producing appliance for solid fuels (e.g. wood or coal) only if there is a closed, non-detachable cover. There must be no flying sparks.

---

#### WARNING

##### RISK OF FIRE

Use only metal ductwork.

---

#### WARNING

##### RISK OF BURNS

The accessible parts get hot during operation. Never touch hot parts. Keep children away.

---

#### CAUTION

It is recommended to wear gloves and long sleeves to protect hands and forearms from abrasion and potential scratches during the installation process.

---



# IMPORTANT SAFETY INSTRUCTIONS

READ AND SAVE THESE INSTRUCTIONS

## Child Safety

When children become old enough to use the appliance, it is the responsibility of the parents or legal guardians to ensure that they are instructed in safe practices by qualified persons.

Do not allow anyone to climb, stand, lean, sit, or hang on any part of an appliance. This can damage the appliance or cause injury.

---

### WARNING

Be sure the entire appliance (including the grease filters and light bulbs, if applicable) has cooled and grease has solidified before attempting to clean any part of the appliance.

Do not use steam cleaners to clean the appliance.

## State of California Proposition 65 Warnings

---

### WARNING

This product may contain a chemical known to the State of California, which can cause cancer or reproductive harm. Therefore, the packaging of your product may bear the following label as required by California:

STATE OF CALIFORNIA PROPOSITION 65 WARNING:



**WARNING**

Cancer and Reproductive Harm - [www.P65Warnings.ca.gov](http://www.P65Warnings.ca.gov)

## Protecting The Environment

Unpack the appliance and dispose of the packaging in line with environmental requirements.

---

### NOTICE

Risk of damage due to corrosion. Always turn appliance on when cooking to avoid condensation buildup. Condensation can lead to corrosion damage.

Risk of damage due to moisture entering into the electronic circuitry. Never clean operator controls with a wet cloth.

Surface damage due to incorrect cleaning. Clean stainless steel surfaces in the grain direction only. Do not use any stainless steel cleaners on operator controls. Never use strong or abrasive cleaning agents, since they can cause surface damage.

Risk of damage from condensation back flow. Install exhaust vent at a slight downward slope away from the appliance (1° slope).

# BEFORE YOU BEGIN

## Installation review

This downdraft system can be used to exhaust cooking by-products such as heat, steam, and smoke that may be created while cooking using gas or electric cooktops. With its versatile design, there are five (5) basic discharge options - left, right, rear, front and recirculation. It is important to first plan your installation. The purchase of additional accessories to complete the installation may be necessary.

It can be mounted in an island, peninsula, or conventional wall location. The blower (purchase separately) and electrical panel can be mounted to the downdraft unit, inside the cabinet, or in a convenient remote location.

This unit can be easily installed following these basic steps:

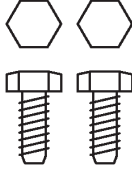
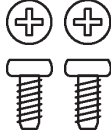
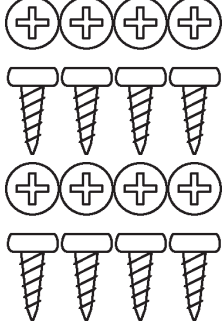
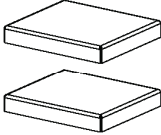
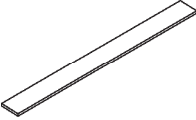
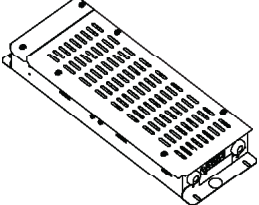
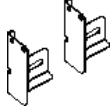
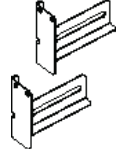
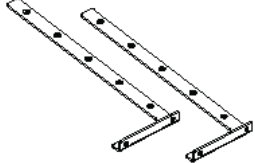


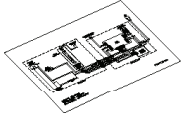
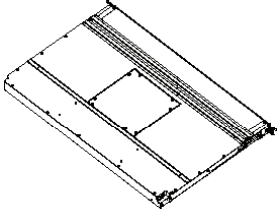
- Plan the installation.
- Cut out the countertop opening.
- Prepare the downdraft housing.
- Cut out the cabinet opening for discharge.
- Mount the downdraft in the cabinet.
- Install gas cooktop seal kit accessory, if applicable.
- Connect the ductwork and install the blower.
- Install downdraft electrical panel, if in remote location.
- Install the cooking appliance.
- Install end caps to downdraft.
- Check the operation.

Note: the high level of air flow of this appliance may effect the gas flame on some types of gas cooktops. This is NORMAL and will cause no harm, but can be corrected by lowering the speed of the blower.

## Tools needed

- Measuring tape
- Pencil
- Phillips screwdriver #2
- Nut drivers - 11/32" (8.7mm), 3/8" (9.5mm), 7/16" (11.1mm)
- Box-end wrench
- Spirit-level
- Aluminum tape (DO NOT use insulating tape)
- Saw
- Tin snips
- Work gloves

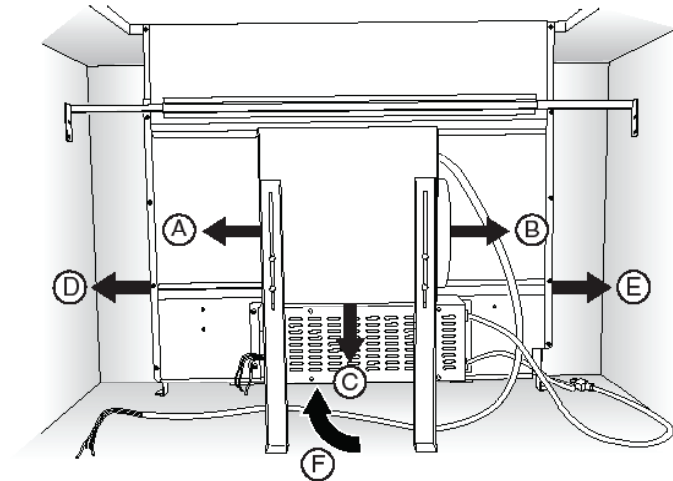
## Parts supplied

<b>1 Parts Bag containing:</b>		
 2 - Screws, 1/4-20 x .50 (12.7mm) Hex Head	 2 - Screws, #8-18 x .375 (9.5mm) Phillips	 8 - Wood Screws, #10 x .50 (12.7mm) Phillips Round Head
 2 - End Cap Trim	 1 - Plastic installation template (see pg. 14)	 1 - Electrical Panel
 2 - 2-in. (51mm) Support Legs	 2 - 4-in. (102mm) Support Legs	 2 - Upper Support Brackets
 Installation instructions	 Use and Care guide	 Wiring diagram
 Downdraft Ventilator Housing		



# PLAN THE INSTALLATION

## Select ducting option



The 5 basic discharge connections, left, right, rear, front and recirculation can be achieved through A to F with the optional parts listed.

1. The downdraft blower system is designed for use with 8" (203mm) round ductwork using a flexible blower or 6" (152mm) round ductwork using an inline or remote blower. (Purchase blowers separately.): Six (6) different discharge connections are available - A to F, below:

A = 8" (203mm) Round, Left Discharge out of Flex Blower

B = 8" (203mm) Round, Right Discharge out of Flex Blower

C = 8" (203mm) Round, Down Discharge out of Flex Blower (Electrical Panel to be mounted remotely)

D = 1-7/8" x 19" (48mm x 483mm), Left Discharge out of Housing to Remote Blower or Flex Blower in remote location. Use 1-7/8" x 19" (48mm x 483mm) to 6" or 8" (152mm or 203mm) round transition ductwork as appropriate.

E = 1-7/8" x 19" (48mm x 483mm), Right Discharge out of Housing to Remote Blower or Flex Blower in remote location. Use 1-7/8" x 19" (48mm x 483mm) to 6" or 8" (152mm or 203mm) round transition ductwork as appropriate.

F = 1-7/8" x 19" (48mm x 483mm), Rear Discharge out of Housing to Remote Blower or Flex Blower in remote location. Use 1-7/8" x 19" (48mm x 483mm) to 6" or 8" (152mm or 203mm) round transition ductwork as appropriate.

2. For best performance: Choose the ducting option which allows the shortest length of ductwork and a minimum number of elbows and transitions. Check location of floor joists, wall studs, electrical wiring or plumbing for possible interference.

**Note:** The manufacturer is not responsible for performance complaints attributable to the duct section.

- The device achieves its optimum performance by means of a short, straight exhaust air duct and as large a pipe diameter as possible.
- The optimum extraction performance is not achieved and fan noise is increased if exhaust air ducts are long and rough and if there is a large number of duct bends or diameters less than 6" (152mm).
- The pipes or hoses for laying the exhaust air line must consist of non-combustible material.
- Seal the connection points of the ducts appropriately.
- Ductwork must vent outside, not into attic spaces for example, unless the available 'Non-duct Recirculation Kit' is used.

## Ductwork Preparation

### DUCTING RECOMMENDATIONS

Proper performance is dependent upon proper ducting. Local building codes may require the use of make-up air systems when using ducted ventilation systems greater than specified cubic feet per minute (CFM) of air movement. The specified CFM varies from locale to locale. It is the responsibility of the owner and the installer to determine if additional requirements and/or standards apply to specific installations.

**DO NOT USE FLEXIBLE DUCT;** it creates back pressure/air turbulence and reduces performance.

Always install a metal vent cover where the ductwork exits the house.

COLD WEATHER installations should have an additional backdraft damper installed to minimize backward cold air flow and a nonmetallic thermal break to minimize conduction of outside temperatures as part of the ductwork.

The damper should be on the cold air side of the thermal break. The break should be as close as possible to where the ducting enters the heated portion of the house.

**MAKE-UP AIR:** Local building codes may require the use of make-up air systems when using ducted ventilation systems greater than specified CFM of air movement. The specified CFM varies from locale to locale. It is the responsibility of the owner and the installer to determine if additional requirements and/or standards apply to specific installations.

For safety reasons, ducting should vent directly outdoors (not into an attic, underneath the house, into the garage or into any enclosed space). The unit cannot be used in conjunction with a recirculation unit.

BOSCH® recommends not exceeding 50 ft. (15 m) of equivalent duct.

## Plan cabinetry

For left, right, or rear exhaust:

Allow at least 18" (457mm) for transition and elbow or blower.

### For left / right exhaust:

A 30" (762mm) deep cabinet is recommended to align properly with flex blower. Flex blower can be mounted to rear cabinet wall or to a platform / frame (not provided) on the base of the cabinet floor. (See flex blower instructions.)




















Cabinet depths of 24" (610mm) to 30" (762mm) are required - depending on the type of cooking appliance.

For some applications, gas or electrical connections will need to be moved or routed around downdraft unit.

For gas cooktop installations make sure that a minimum 27 square inch (174 cm<sup>2</sup>) opening is provided in the toe-kick and cabinet base. Inadequate ventilation of the cabinet below the cooktop may result in flame outage when operating the fan on higher speeds.

**Note:** A cooktop sealing kit must be purchased for gas applications. The kit includes hole covers for the toe-kick and cabinet base, as well as a trim seal for the cooktop.

# DUCT EQUIVALENT CHART

Duct Piece	Size (in./mm)	Equivalent Length (ft/m)	Duct Piece	Size (in./mm)	Equivalent Length (ft/m)	
 Smooth, straight	6 (152)	1.2 (0.37)	 3 1/4" x 10" (83mm x 254mm) to round 90° Elbow ,	6 (152)	10 (3)	
	8 (203)	0.7 (0.21)		 3 1/4" x 10" (83mm x 254mm) Center reverse elbow , left	NA	15 (4.6)
	10 (254)	0.6 (0.18)			 3 1/4" x 10" (83mm x 254mm), Center reverse elbow , right	NA
 3 1/4" x 10" (83mm x 254mm) straight	N/A	1 (0.3)	 3 1/4" x 10" (83mm x 254mm), Left reverse elbow	NA		15 (4.6)
 3 1/4" x 14" (83mm x 356mm) straight	N/A	0.7 (0.21)		 3 1/4" x 10" (83mm x 254mm), Right reverse elbow	NA	25 (7.6)
 90° Elbow , round	6 (152)	12 (3.7)			 Round wall cap	6 (152)
	8 (203)	6 (1.8)	8 (203)	2 (0.6)		
	10 (254)	5 (1.5)	10 (254)	2 (0.6)		
 45° Elbow , round	6 (152)	5 (1.5)	 Round roof cap	6 (152)	2 (0.6)	
	8 (203)	3 (0.9)		8 (203)	2 (0.6)	
	10 (254)	2 (0.6)		10 (254)	2 (0.6)	
 3 1/4" x 10" (83mm x 254mm), 90° Elbow , round	N/A	5 (1.5)	 2" (51mm) long, 3 1/4" x 10" (83mm x 254mm) flex	NA	20 (6.1)	
 3 1/4" x 10" (83mm x 254mm), 45° Elbow , round	N/A	15 (4.6)		 3 1/4" x 10" (83mm x 254mm), Roof jack and shutter	NA	2 (0.6)
 3 1/4" x 10" (83mm x 254mm), Flat elbow	N/A	20 (6.1)				
 3 1/4" x 10" (83mm x 254mm) to round	6 (152)	5 (1.5)	<b>NOTE: These commonly used installation parts can be purchased at a local hardware store.</b>			
	8 (203)	2 (0.6)	<b>Measurements in inches (mm).</b>			
 Round to 3 1/4" x 10" (83mm x 254mm) 90° Elbow ,	6 (152)	10 (3)				



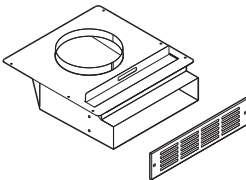
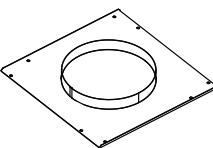
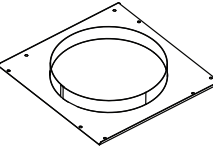
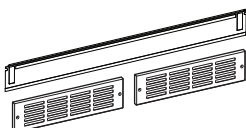
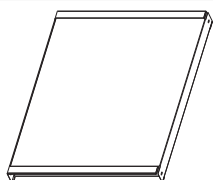
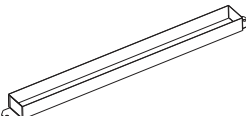
# ACCESSORIES (purchase separately)

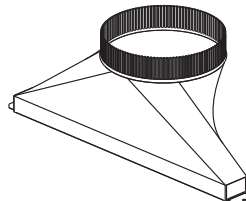
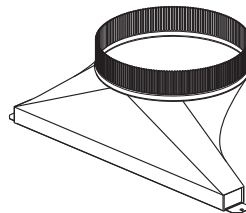
## Flexible Blower

Bosch DHG602DUC

## Inline and Remote Blowers

Bosch Models DHG6023RUC, DHG6015NUC

MODEL	DESCRIPTION
 <p><b>HDDREC5UC</b> <b>HDDFILTUC</b> (replacement filter)</p>	<p>Non-Duct Recirculating Kit Used in applications where ducting is not feasible or available. Mount to toe kick or base of a cabinet and attach directly to DHG602DUC Flexible Blower using 8" (203mm) round duct. Kit can be rotated so that the exhaust is not directly at your feet. Includes decorative cover plate.</p>
 <p><b>HDDFTRAN6</b></p>	<p>Rough-in Plate - 6" (152mm) Round Use for applications where 6" (152mm) round duct or elbow attaches to front of airbox (inline or remote blower installation).</p>
 <p><b>HDDFTRAN8</b></p>	<p>Rough-in Plate - 8" (203mm) Round Use for applications where 8" (203mm) round duct or elbow attaches to front of airbox (DHG602DUC inline blower installation).</p>
 <p><b>HDD0RSP</b> <b>HDD6RSP</b></p>	<p>Gas Cooktop Seal Kit - 30-in. (762mm), 36-in. (914mm) Used to provide seal between gas cooktop and downdraft. Also includes cabinet hole cover plates. Two grilles are provided in the kit, you may only need one for your specific installation.</p>
 <p><b>HDD2RECTD</b></p>	<p>Rectangular Duct - 2-ft. (0.6m) sections (1-7/8" x 19"/48mm x 483mm) Galvanized steel construction 2-ft. (0.6m) sections can be connected together.</p>
 <p><b>HDDSTRAN2</b></p>	<p>Rectangular Adapter for 1-7/8" x 19" (48mm x 483mm) Use to connect 1-7/8" x 19" (48mm x 483mm) rectangular duct directly to downdraft when using side or rear exhaust.</p>

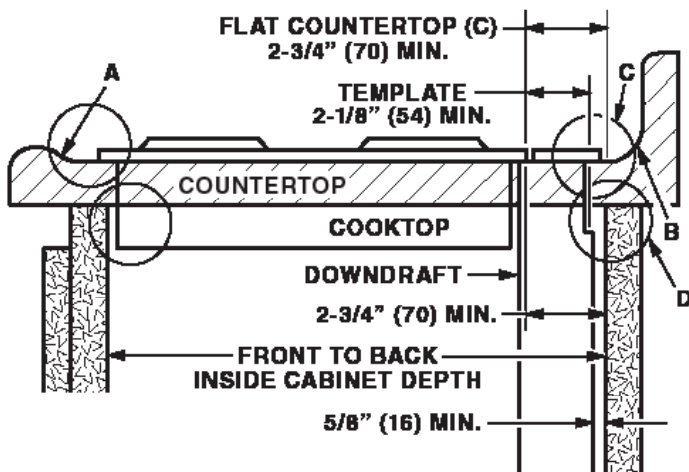
MODEL	DESCRIPTION
 <p><b>HDDSTRAN6</b></p>	<p>1-7/8" X 19" (48mm x 483mm) to 6" (152mm) Round Transition Rectangular to 6" (152mm) round transition for left, right, or rear exhaust - using Model DHG602DUC Flex Blower. Can be attached to downdraft unit or rectangular duct (HDD2RECTD).</p>
 <p><b>HDDSTRAN8</b></p>	<p>1-7/8" X 19" (48mm x 483mm) to 8" (203mm) Round Transition Rectangular to 8" (203mm) round transition for left, right, or rear exhaust - using Inline or Remote Blower. Can be attached to downdraft unit or rectangular duct (HDD2RECTD).</p>

# INSTALLATION

## Take measurements

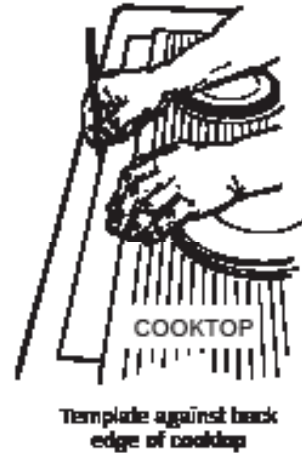
1. Refer to the cooktop installation instructions for dimensions of cooktop, countertop cut-out, and cabinet requirements. However, it is recommended that oversized cabinets be used for easier installation. Custom island designs need to account for deeper cabinets, especially when mounting the blower behind the downdraft. You must also plan for an access door.

Pay special attention to the areas of potential interference highlighted below. A countertop with (A) a raised lip and/or (B) a backsplash may not allow enough flat countertop for a proper installation. Note that a minimum of 2-3/4" (70mm) of flat countertop is required behind cooktop (C) and that a minimum of 2-3/4" (70mm) is necessary between the back edge of the cooktop and the inside of cabinet back (D).



## Cut countertop opening

1. Lay out and cut the cooktop cut-out far enough FORWARD so downdraft will fit behind it.
2. Set cooktop in place and slide it as far forward as possible without exposing any gaps. Center and square it with edges of countertop.

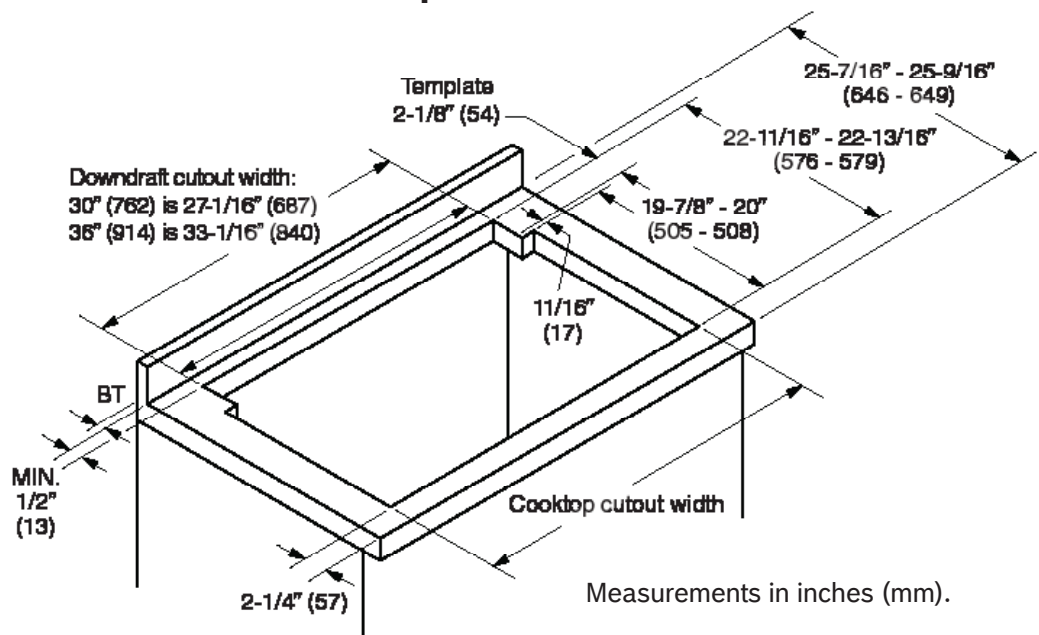


3. Place the plastic template against the back flange of the cooktop. Center the template. Trace around template to mark the downdraft opening.
4. Remove cooktop from countertop.
5. Cut downdraft opening. Be careful not to chip edges of countertop.

## Installation with Electric and Induction Cooktops

Dimension "BT" is thickness of the backsplash that provides 1/2" (13mm) clearance between the vent and the backsplash. Any backsplash with a curved radius where it meets the counter will require additional clearance. Thicker backsplashes may be used by increasing the counter and cabinet depths.

Set the cooktop into the countertop opening so that the back edge of the cooktop overlaps the leading edge of the downdraft.

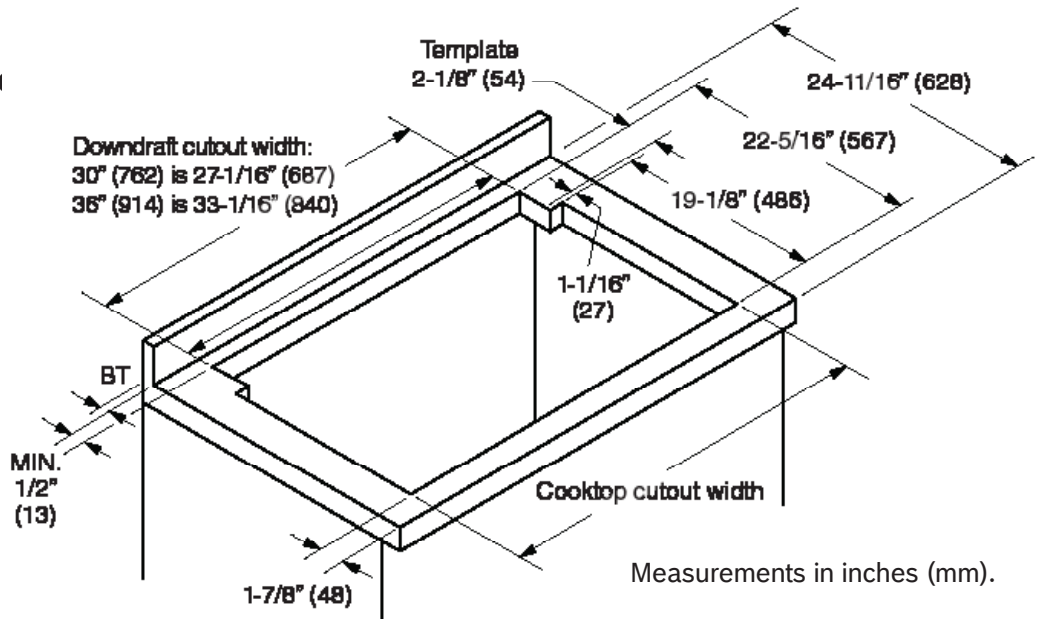


# INSTALLATION

## Installation with Gas Cooktop

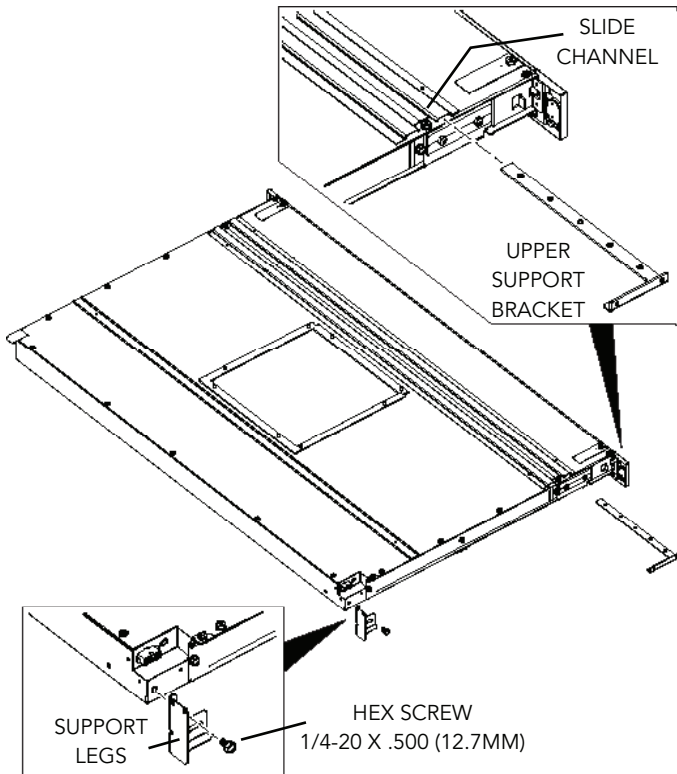
Dimension "BT" is thickness of the backsplash that provides 1/2" (13mm) clearance between the vent and the backsplash. Any backsplash with a curved radius where it meets the counter will require additional clearance. Thicker backsplashes may be used by increasing the counter and cabinet depths.

Set the cooktop into the countertop opening so that the back edge of the cooktop overlaps the leading edge of the downdraft.



## Prepare downdraft housing

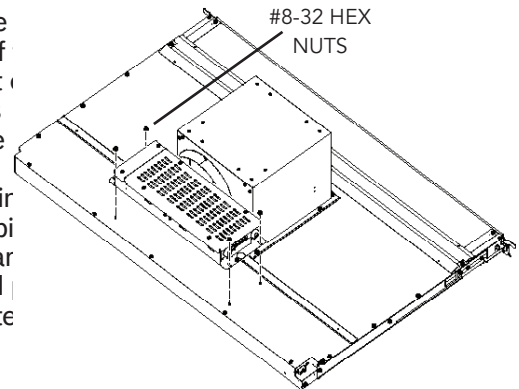
1. Place the downdraft on its back on a table or flat work surface.



2. Slide upper support brackets into slide channel at top left and right of unit.  
Attach long or short support legs (depending upon cabinet height) to bottom sides of unit with hex screws provided. Do not tighten hex screws completely at this time.

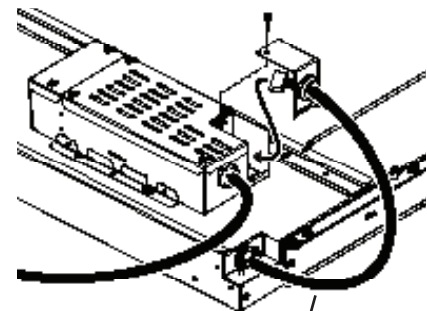
## Optional: Electrical panel can be mounted in a remote location.

Example: There is an electrical panel at the bottom of cabinet, in front of the downdraft. This may require the electrical panel to be mounted in an adjacent cabinet. If blower discharges down, electrical panel must be relocated.



1. Remove (2) #8-32 hex nuts and electrical panel. Do not mount with electrical panel slots facing downward.
2. Installation of a remotely located electrical panel may be completed after connecting the ductwork and install the blower. Install electrical panel according to local codes.

**Note:** Interconnect cable may be unplugged (as shown) if it helps in routing of cables for remote installation of electrical panel.



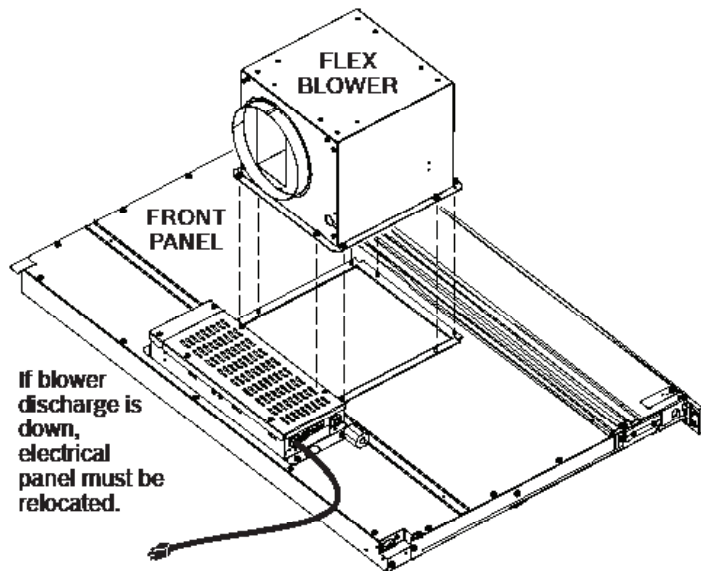
INTERCONNECT CABLE (5-FT. (1.5 M) LONG)

# INSTALLATION

Based on blower and ducting option selected, go to the relevant section:

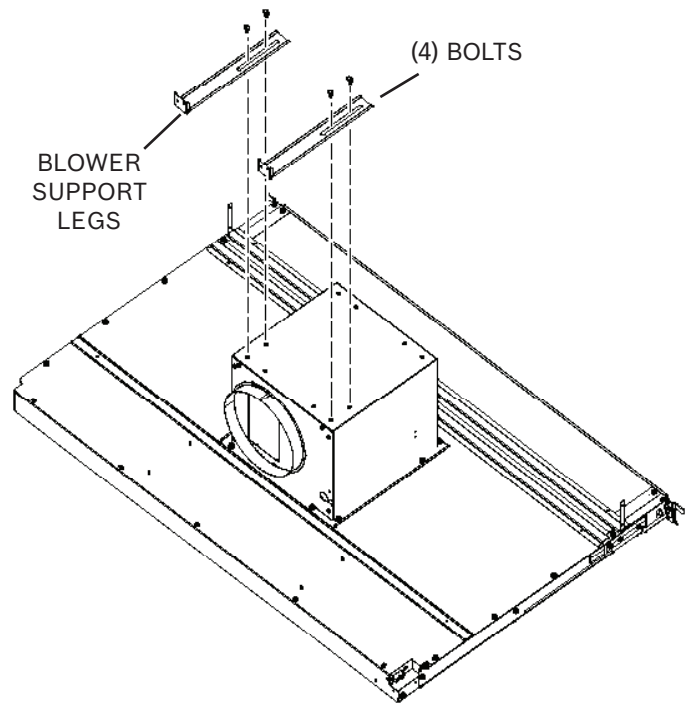
- A - Installation using flexible blower attached to downdraft**
- B - Installation using flexible or remote blower - mounted in a remote location - ducting through front panel opening**
- C - Installation using flexible or remote blower - mounted in a remote location - ducting through left, right or rear**

## A - Installation using flexible blower attached to downdraft



(Purchase Model DHG602DUC Flexible Blower separately.)

1. Remove hex nuts to remove front panel cover.
2. Determine whether flex blower will discharge to the left, right, or down.
3. If blower discharge is down, remove (4) #8-32 hex nuts and electrical panel.
4. Place blower over studs around front panel opening.
5. Tighten hex nuts to secure blower in place.

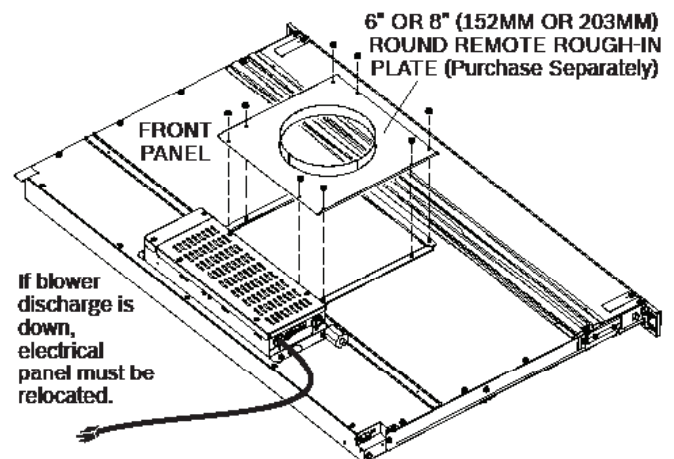


6. Remove bolts from flex blower housing. Attach blower support legs to flex blower housing with these (4) bolts. Do not tighten bolts at this time.

## B - Installation using inline or remote blowers - with ducting through front panel opening

### CAUTION

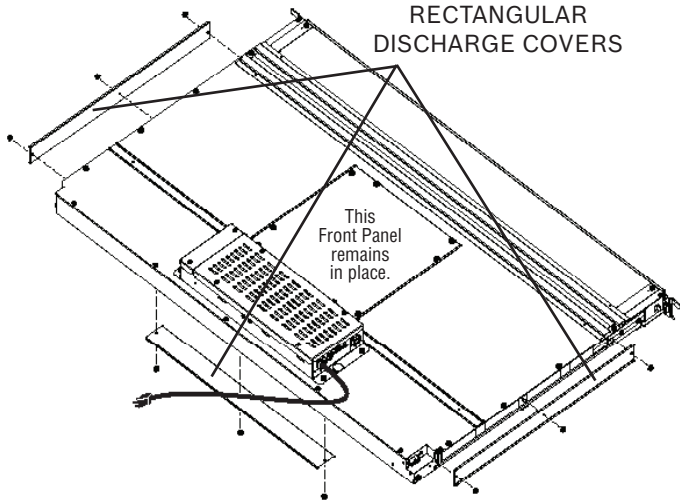
If flexible blower is mounted as an inline blower: Do not use legs alone for support. It may be necessary to add extra support for the flexible blower.



1. Remove hex nuts to remove front panel cover.
2. If blower discharge is down, remove (4) #8-32 hex nuts and electrical panel.
3. Place 6" or 8" (152mm or 203mm) round rough-in plate (purchase separately) over studs around front panel opening.
4. Tighten hex nuts to secure remote discharge plate in place.

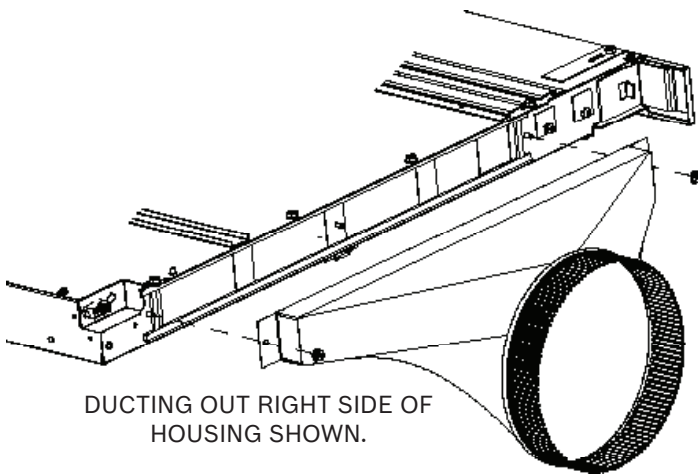
# INSTALLATION

## C - Installation using inline or remote blowers - with ducting through left, right or rear



(Requires purchase of 1-7/8" x 19" (48mm x 483mm) to 6" or 8" (152mm or 203mm) round transition. 1-7/8" x 19" (48mm x 483mm) rectangular duct and connection adapters are also available.)

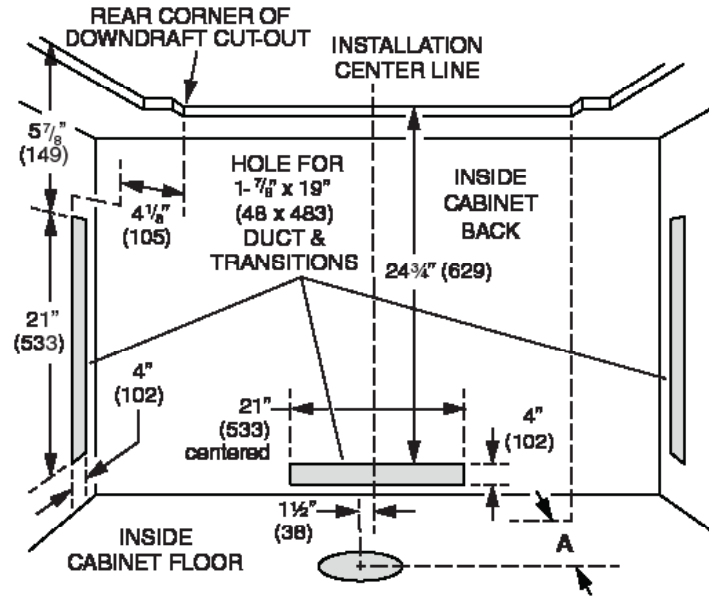
1. Remove only one RECTANGULAR DISCHARGE COVER.



2. Use nuts to connect 1-7/8" x 19" (48mm x 483mm) rectangular ductwork connection adapter or 1-7/8" x 19" (48mm x 483mm) to 6" or 8" (152mm or 203mm) round transition to housing when installing ductwork.

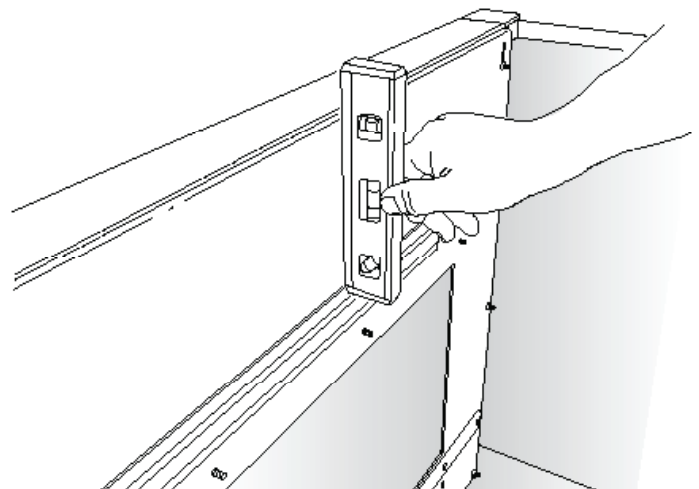
## Cut out ductwork opening in cabinet

1. Measure and mark where to cut the ductwork opening in the cabinet based on the ducting option selected. Use the dimensions in the illustration below to help plan how and where to provide duct access through your cabinet.



Hole in Cabinet Floor
Dimension A
Using Flex Blower (Model DHG602DUC) & 8" (203mm) round duct straight down through cabinet floor. (1 1/2" / 38mm left of installation center line)
7 3/4 inches (197mm)

Measurements in inches (mm).



2. Set downdraft into cabinet/countertop opening as far back as possible and make sure it is level.



# INSTALLATION

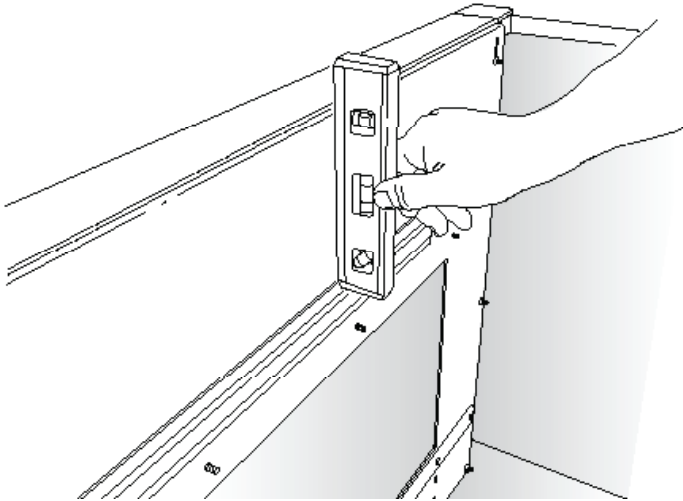
3. Check that markings in cabinet line up with ducting coming from downdraft.
4. Remove downdraft housing from cabinet.

## ⚠ CAUTION

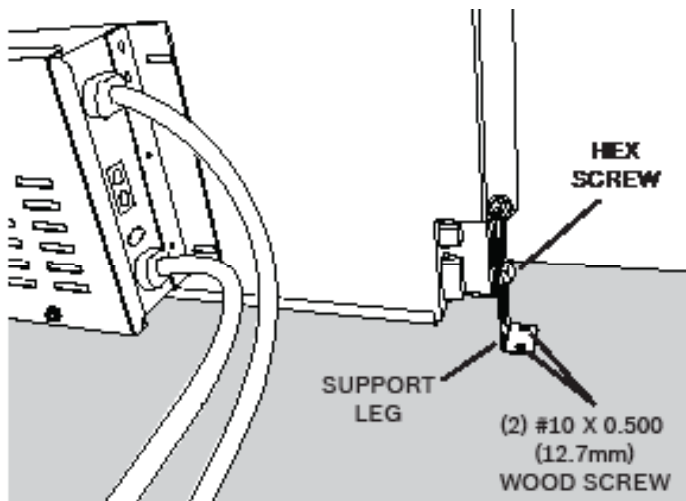
Before cutting hole in cabinet for ductwork, check for interference with floor joists, wall studs, electrical wiring or plumbing.

5. Cut ductwork hole in cabinet - as well as holes in wall or floor a necessary.

## Mount downdraft in cabinet

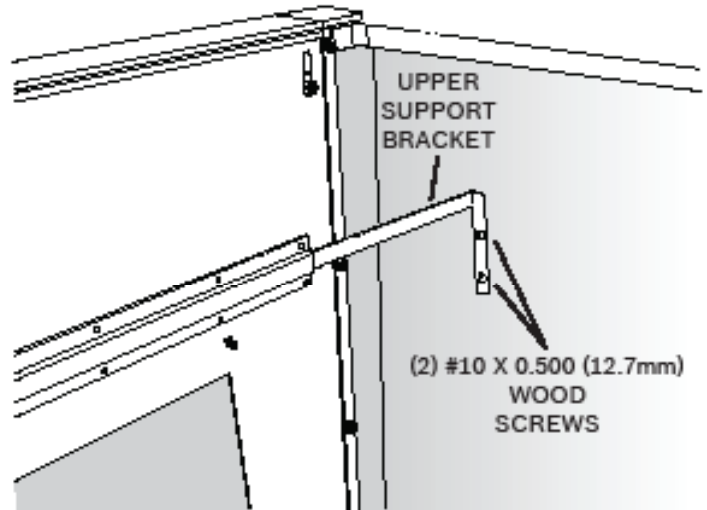


1. Set downdraft into cabinet/countertop opening as far back as possible and make sure it is level.



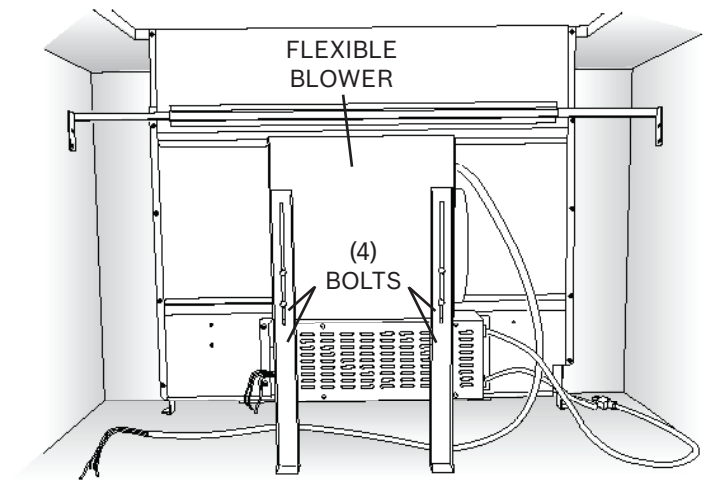
2. Extend support legs and attach to bottom of cabinet with (2) screws through each leg. Tighten hex screws.

If cabinet bottom is removed: Use blocks as spacers between floor and support legs.



3. Extend upper support brackets and attach to sides of cabinet with (2) screws through each bracket.

## Installations using flexible blower only:



4. Extend blower support legs and secure them to bottom of cabinet with a screw through each bracket. Tighten (4) bolts to secure legs to flex blower.

# INSTALLATION

## **Gas cooktops only:** **Install gas cooktop seal kit** **(purchase separately)**

Available for application with gas cooktops - where proper sealing is required and holes are required in cabinet base. Kit includes trim seal, toe-kick cover plate, and cabinet hole cover plate.

Installation instructions are included with the gas cooktop seal kit.

## **Install roof cap, wall cap, inline or remote blower**

1. Follow instructions included with caps, inline and remote blower.

## **Connect ductwork**

1. From roof cap, wall cap, or remote blower - work back towards the cabinet, attaching all ductwork, elbows and transitions as previously planned.
2. Connect ductwork (and transition, if required) to flex blower or downdraft. If necessary, use (2) #8-18 x .375 (9.5mm) Phillips screws for transition.

Note: Regardless of blower placement/exhaust, ensure that all seams are properly taped - to make them secure and air-tight. This includes seams/gaps between panels and/or on the blower.

## **Install the electrical panel** **(if previously removed from downdraft housing)**

1. If electrical panel was removed from the downdraft housing in order to mount it in a remote location: Mount electrical panel in chosen location.

Note: Do not mount electrical panel with slots in cover facing downward.

## **Plan house wiring**

### **▲ WARNING**

#### **RISK OF ELECTRIC SHOCK**

Parts inside the appliance can have sharp edges. The connection cable can be damaged. Do not bend or pinch connection cables during installation.

Before connecting the appliance, check the house wiring to make sure it has sufficient circuit protection. The voltage and frequency of the appliance must match the electrical installation (see rating plate).

Only a qualified electrician following all appropriate regulations may lay or replace the connecting cable.

Follow all regulations, codes, and laws.

Ensure that the electrical connection meets the requirements of the latest version of all regulations, codes, and laws in the appropriate country, especially the following standards:

National Electrical Code, ANSI/ NFPA 70\*, or CSA Standards C22.1-94, Canadian Electrical Code, Part 1 and C22.2 No.0-M91\*\*, UL 507.

Have a qualified electrical technician check the grounding of the appliance.

Do not ground to a gas line.

Keep these installation instructions for future reference.

Ensure that the wire diameter meets the requirements of the latest version of all applicable regulations, codes, and laws in the appropriate country, especially the following standards:

National Electrical Code, ANSI/NFPA 70\*, or CSA Standards C22.1-94, Canadian Electrical Code, Part 1 and C22.2 No.0-M91\*\*.

The downdraft with the Flex Blower (purchase separately) draws 3.0 Amps and requires a 120 VAC, 60 Hz circuit.

The downdraft with Remote Blower Models DHG6015NUC and DHG6023RUC (purchase separately) draws 5.0 Amps (max.) and requires a 120 VAC, 60 Hz circuit.

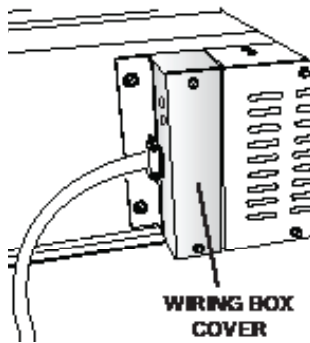
The downdraft has a 30-in. (762mm) long power cord with a 3-pronged plug. Plan to provide a grounded outlet in a location which will allow the power cord to reach.

# INSTALLATION

## Install electrical wiring

**CAUTION:** Installation work and electrical wiring must be done by qualified person(s) in accordance with all applicable codes and standards, including fire-rated construction.

**CAUTION:** Do not use an extension cord. If the product power cord is too short, have a qualified electrician install a three slot receptacle.



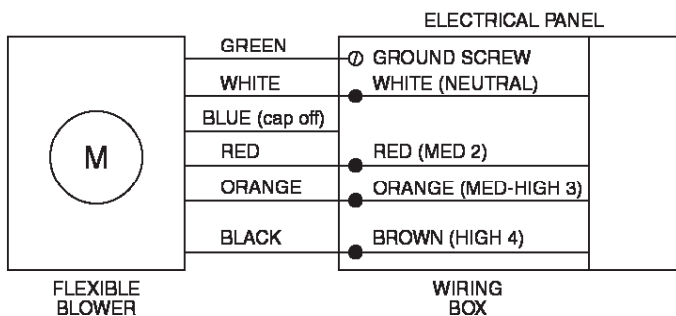
1. Install a standard wiring box, with 3-pronged receptacle, within reach of the downdraft's power cord.
2. Remove electrical panel wiring box cover. Secure blower power cable to electrical panel wiring box with U.L. approved strain relief.

Based on blower selected, go to the relevant section:

### A - Flex Blower Wiring

### B - Remote Blower Wiring

### A - Flex Blower Wiring

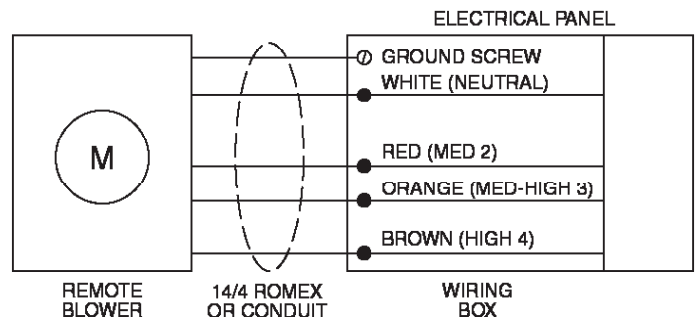


3. Connect flexible blower wires to wires in electrical panel wiring box as shown. Cap off BLUE wires (LOW 1).
4. Replace wiring box cover.

### B - Remote Blower Wiring

3. The following exterior or inline blowers can be used:

DHG6023RUC - 600 cfm (17 m<sup>3</sup>/min) Remote Blower  
 DHG6015NUC - 600 cfm (17 m<sup>3</sup>/min) Inline Blower  
 120 VAC • 60 Hz • 5.0 A (max.)



**NOTE:** Some blowers may come with plugs or connectors, these should be removed and the 14/4 ROMEX or Conduit wiring should be connected in an approved junction box.

5. Connect power wires to wires in electrical panel wiring box as shown.
6. Replace wiring box cover.

### Connect Downdraft to Power

1. Plug the downdraft's power cord into the 3-pronged receptacle. Make sure that the power cord is routed away from the heat generated by the cooktop.
2. Check operation.
3. Remove all protective film and packaging before operation. In order to remove all protective film and packaging, raise the intake housing and remove the front panel to access the filter area.

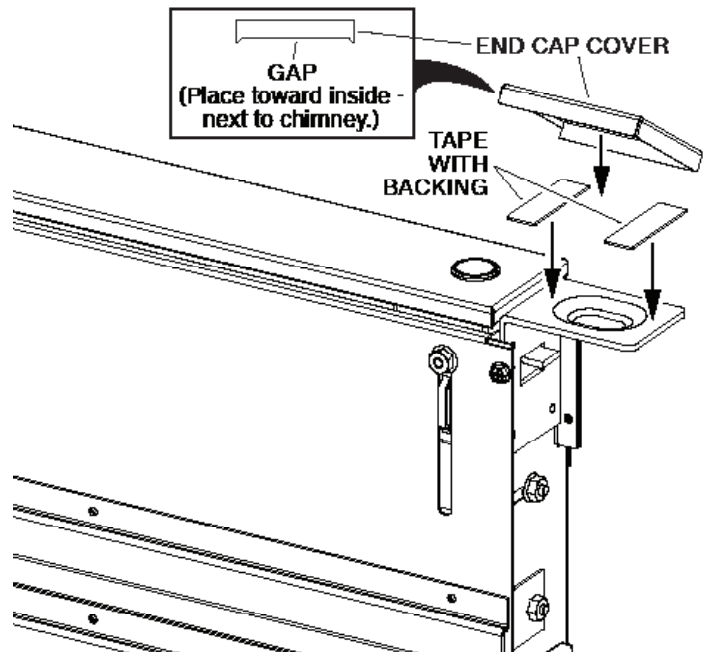
# INSTALLATION

## Install cooking appliance

Align the cooking appliance with downdraft and fasten appliance in place following appliance instructions.

**NOTE:** Accurate alignment of cooking appliance and downdraft is necessary to ensure that there is no interference when air vent is raised and lowered. There should be a gap of 1/32" - 1/16" (0.79mm - 1.59mm) between the back of the cooktop and the front of the downdraft cover.

## Attach endcaps to downdraft



1. Remove backing from tape.
2. Clean end cap covers (inside) with Rubbing Alcohol or Isopropyl Alcohol.
3. Press end cap covers over brackets.
4. Check the operation of the downdraft.

# BOSCH® SUPPORT

## Before Calling Service

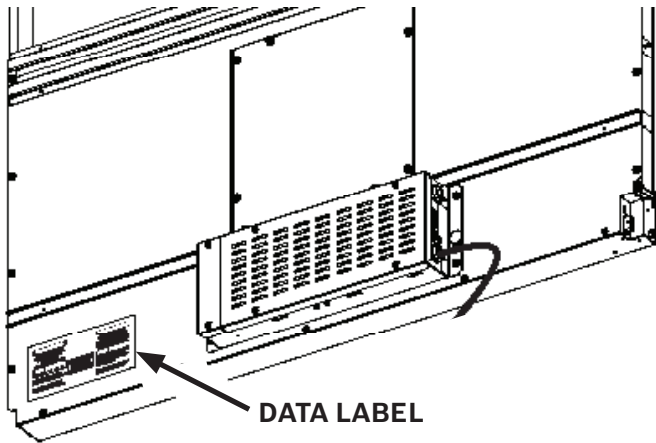
See the Use and Care Manual for troubleshooting information. Refer to the “Statement of Limited Product Warranty”.

To reach a service representative, see the contact information at the front of the manual. Please be prepared with the information printed on your product data label when calling.

## Data Label

The data label shows the model and serial number. Refer to the data plate on the appliance when requesting service.

The data label can be found on the front / lower / left of the downdraft housing.



To avoid having to search for each piece of information when calling, you can enter the four items needed in the spaces below.

Model No.	
Serial No.	
Date of Purchase	
Customer Service No.	

Keep your invoice or escrow papers for warranty validation if service is needed.

## Service

We realize that you have made a considerable investment in your kitchen. We are dedicated to supporting you and your appliance so that you have many years of creative cooking.

Please don't hesitate to contact our Customer Support Department if you have any questions or in the unlikely event that your Bosch® appliance needs service. Our service team is ready to assist you.

**USA** 800-944-2904 [www.bosch-home.com/us/support](http://www.bosch-home.com/us/support)  
**Canada** 800-944-2904 [www.bosch-home.ca/en/support](http://www.bosch-home.ca/en/support)

## Parts and Accessories

Parts, filters, descalers, stainless steel cleaners and more can be purchased in the Bosch® eShop or by phone.

**USA** [www.bosch-home.com/us/store](http://www.bosch-home.com/us/store)  
**Canada** Marcone 800-482-6022 or Reliable Parts 800-941-9217

# TABLE DES MATIÈRES

<b>À PROPOS DE CE MANUEL</b> .....	23
Assurez-vous de respecter tous les avertissements et mises en garde énumérés .....	23
<b>CONSIGNES DE SÉCURITÉ IMPORTANTES</b> .....	24-27
Généralités .....	24
Installation adéquate et entretien .....	25
Sécurité incendie .....	26
Sécurité de l'enfant.....	26
Avertissements relatifs à la proposition 65 de l'État de Californie .....	27
Protection de l'environnement.....	27
<b>AVANT DE COMMENCER</b> .....	28
Contrôle de l'installation .....	28
Outils nécessaires .....	28
Pièces fournies .....	28
<b>PLANIFICATION DE LA POSE</b> .....	29
Sélection des options de conduits .....	29
Préparation des conduits.....	29
Planification des armoires .....	29
<b>TABLEAU DES ÉQUIVALENCES DE CONDUITS</b> .....	30
<b>DIMENSIONS DU SYSTÈME</b> .....	31
<b>ACCESSOIRES</b> .....	32
<b>INSTALLATION</b> .....	33-40
Prise de mesures.....	33
Découpage de l'ouverture du comptoir.....	33
Installation avec surfaces de cuisson .....	33
Préparation du boîtier de la hotte 13	
En option: Le panneau électrique peut être monté à distance .....	34
A - Installation avec ventilateur flexible attaché à la hotte.....	35
B - Installation avec ventilateur flexible ou à distance - monté à distance - conduits passant par l'ouverture du panneau avant.....	35
C - Installation avec ventilateur flexible ou à distance - monté à distance - conduits passant à gauche, à droite ou à l'arrière.....	36
Découpage de l'ouverture pour conduits dans l'armoire.....	36-37

Montage de la hotte dans l'armoire .....	37
Surface de cuisson au gaz uniquement : Pose du jeu de joint d'étanchéité pour surface de cuisson au gaz .....	38
Installation d'un capuchon mural ou de toit, ou d'un ventilateur à distance.....	38
Raccordement des conduits.....	38
Installation du panneau électrique.....	38
Planification du câblage de la maison .....	38
Installation du câblage électrique .....	39
Installation de l'appareil de cuisson.....	40
Fixation de capots d'extrémité sur la hotte.....	40
<b>ASSISTANCE BOSCH®</b> .....	41

Pour tout complément d'information sur les produits, les accessoires, les pièces de rechange et les service, consultez [www.bosch-home.com](http://www.bosch-home.com) et la boutique en ligne [www.bosch-home.com/us/store](http://www.bosch-home.com/us/store)

---

## À PROPOS DE CE MANUEL

### Assurez-vous de respecter tous les avertissements et mises en garde énumérés.

Cherchez les triangles avec des points d'exclamation à l'intérieur.

---

#### **AVERTISSEMENT**

Ceci indique que le non-respect de cet avertissement peut causer des blessures graves ou la mort.

---

---

#### **ATTENTION**

Ceci indique que le non-respect de cet avertissement peut causer des blessures légères ou modérées.

---

**AVIS :** Ceci indique que le non-respect de cet avertissement peut entraîner des dommages matériels.

**REMARQUE :** Ceci vous avertit de renseignements ou conseils importants.

Accordez une attention particulière aux importantes consignes de sécurité dans la section « Sécurité ».



# CONSIGNES DE SÉCURITÉ IMPORTANTES

LISEZ CES DIRECTIVES ET CONSERVEZ-LES

## Généralités

Inspectez l'appareil après l'avoir déballé. S'il a été endommagé durant le transport, ne le branchez pas.

---

### AVERTISSEMENT

OBSERVEZ LES DIRECTIVES CI-DESSOUS AFIN DE RÉDUIRE LES RISQUES D'INCENDIE, DE CHOC ÉLECTRIQUE OU DE BLESSURES CORPORELLES :

- N'utilisez cet appareil que de la manière prévue par le fabricant. Si vous avez des questions, communiquez avec le fabricant.
- Avant de procéder à l'entretien ou au nettoyage de l'appareil, coupez l'alimentation du panneau électrique et verrouillez l'interrupteur principal afin d'empêcher que le courant ne soit accidentellement rétabli.
- S'il est impossible de verrouiller l'interrupteur principal, fixez solidement un message d'avertissement, par exemple une étiquette, sur le panneau électrique.

---

### AVERTISSEMENT

AVERTISSEMENT – OBSERVEZ LES DIRECTIVES CI-DESSOUS AFIN DE RÉDUIRE LES RISQUES D'INCENDIE, DE CHOC ÉLECTRIQUE OU DE BLESSURES CORPORELLES :

- La pose de l'appareil et les travaux d'électricité doivent être effectués par des personnes qualifiées en respectant la réglementation en vigueur, notamment les codes et les normes de la construction ayant trait à la résistance au feu.
- Pour éviter les refoulements, l'apport d'air doit être suffisant pour brûler les gaz produits par les appareils à combustion et les évacuer dans le conduit de fumée (cheminée). Respectez les directives du fabricant de l'appareil de chauffage et les normes de sécurité, notamment celles publiées par la National Fire Protection Association (NFPA), l'American Society for Heating, Refrigeration and Air Conditioning Engineers (ASHRAE) et les codes des autorités locales.
- Veillez à ne pas endommager le câblage électrique ou d'autres équipements non apparents lors de la découpe ou du perçage du mur ou du plafond.
- Les ventilateurs canalisés doivent toujours rejeter l'air à l'extérieur.

---

**INSTALLATEUR** : LAISSEZ CES INSTRUCTIONS AVEC L'APPAREIL UNE FOIS L'INSTALLATION TERMINÉE.

---

---

**PROPRIÉTAIRE** : À CONSERVER POUR L'USAGE DE L'INSPECTEUR LOCAL.

---

---

### AVERTISSEMENT

Lorsqu'il est bien entretenu, votre nouvel appareil est conçu pour être sécuritaire et fiable. Lisez attentivement ces instructions avant d'utiliser l'appareil. Ces précautions réduiront les risques de brûlures, de chocs électriques, d'incendie et de blessures. Lorsque vous utilisez des appareils électroménagers, il est indispensable de suivre des précautions de sécurité de base, notamment celles indiquées dans les pages suivantes.

---





# CONSIGNES DE SÉCURITÉ IMPORTANTES

LISEZ CES DIRECTIVES ET CONSERVEZ-LES

## Installation adéquate et entretien

### AVERTISSEMENT

Enlevez tous les rubans adhésifs et l'emballage avant d'utiliser l'appareil. Détruisez l'emballage une fois l'appareil déballé. Ne laissez jamais les enfants jouer avec le matériel d'emballage.

**INSTALLATEUR :** Indiquez au propriétaire l'emplacement du disjoncteur ou du fusible. Marquez-le pour le repérer facilement.

Faites appel à un technicien qualifié pour installer correctement l'appareil et effectuer la mise à la terre. Branchez-le uniquement à une prise correctement mise à la terre. Consultez les instructions d'installation pour obtenir plus de détails.

Cet appareil est prévu pour une utilisation normale dans un foyer uniquement. Il n'est pas homologué pour une utilisation à l'extérieur. Consultez l'avis de Garantie Limitée du produit dans le Guide d'utilisation et d'entretien. Si vous avez des questions, communiquez avec le fabricant.

N'utilisez et ne rangez pas des produits chimiques corrosifs, des produits émettant des vapeurs, des produits inflammables ou des produits non alimentaires dans ou à proximité de l'appareil. Il est spécialement conçu pour être utilisé durant le réchauffage ou la cuisson d'aliments. L'utilisation de produits chimiques corrosifs lors du chauffage ou du nettoyage détériore l'appareil et peut causer des blessures.

N'utilisez pas cet appareil s'il est défectueux ou endommagé. Communiquez avec un centre de réparation agréé.

Ne réparez ou ne remplacez aucune pièce de l'appareil à moins que ce manuel ne le recommande spécifiquement. Confiez l'entretien à un centre de réparation agréé par l'usine.

### AVERTISSEMENT

Assurez-vous que l'appareil et l'éclairage ont refroidi et que l'appareil est hors tension avant de remplacer la DEL (si l'appareil en est muni). Dans le cas contraire, des chocs électriques ou des brûlures peuvent en résulter.

### ATTENTION

Les graisses résiduelles sur les filtres peuvent fondre, passer dans le conduit et prendre feu.

### AVERTISSEMENT

Les surfaces masquées peuvent comporter des arêtes tranchantes. Soyez prudent lorsque vous travaillez sur l'arrière ou le dessous de l'appareil.

### AVERTISSEMENT

L'appareil est lourd et nécessite au moins deux personnes ou un équipement approprié pour le déplacer et l'installer.

### AVERTISSEMENT

Attachez les cheveux longs pour qu'ils ne pendent pas, et ne portez pas de vêtements amples ou de vêtements suspendus, tels que des cravates, des foulards, des bijoux ou des manches qui pendent.

### AVERTISSEMENT

Lorsque la hotte est utilisée en mode d'évacuation d'air simultanément avec un autre appareil qui utilise la même cheminée (par exemple des brûleurs au gaz, au pétrole ou au charbon, des brûleurs à flux continu ou des chaudières), il est important de vous assurer d'une alimentation adéquate en air frais pour l'appareil à combustion.

C'est le cas si l'air de combustion peut circuler par des ouvertures non verrouillables, par exemple dans les portes, les fenêtres ou à travers une boîte murale d'admission ou d'évacuation d'air ou par d'autres moyens techniques, par exemple un verrouillage réciproque, etc.

### AVERTISSEMENT

Évitez une intoxication au monoxyde de carbone. Fournissez une entrée d'air adéquate afin que les gaz de combustion ne puissent revenir dans la pièce.

Un boîtier mural d'admission ou d'évacuation d'air ne garantit pas en soi que la valeur limite ne sera pas dépassée.

**Remarque :** Lors de l'évaluation de l'ensemble des exigences, il est important de considérer tout le système de ventilation de la maison. Cette règle ne s'applique pas à l'utilisation d'appareils de cuisine, par exemple des surfaces de cuisson ou des fours.

### AVERTISSEMENT

Pour éviter les risques de chocs électriques, avant l'installation, coupez le courant et verrouillez le panneau électrique afin d'éviter que le courant soit rétabli accidentellement.



# CONSIGNES DE SÉCURITÉ IMPORTANTES

LISEZ CES DIRECTIVES ET CONSERVEZ-LES

## Sécurité incendie

### AVERTISSEMENT

Utilisez cet appareil uniquement aux fins auxquelles il a été conçu, tel qu'indiqué dans ce manuel.

Ayez toujours un détecteur de fumée fonctionnel près de la cuisine. Si vos vêtements ou vos cheveux prennent feu, roulez-vous par terre immédiatement pour éteindre les flammes.

Assurez-vous d'avoir à portée de main un extincteur, bien visible et facilement accessible près de l'appareil.

Éteignez les flammes des incendies d'aliments autres que des feux de graisse avec du bicarbonate de sodium. N'utilisez jamais de l'eau sur un feu de cuisine.

### AVERTISSEMENT

OBSERVEZ LES CONSIGNES SUIVANTES DE MANIÈRE À RÉDUIRE LES RISQUES DE BLESSURES CORPORELLES EN CAS D'INCENDIE CAUSÉ PAR DE LA GRAISSE SUR LA SURFACE DE CUISSON :<sup>a</sup>

- a. ÉTOUFFEZ LES FLAMMES à l'aide d'un couvercle étanche, d'une tôle à biscuits ou d'un plateau en métal puis éteignez le brûleur. FAITES ATTENTION DE NE PAS VOUS BRÛLER. Si les flammes ne s'éteignent pas immédiatement, QUITTEZ LES LIEUX ET APPELEZ LE SERVICE DES INCENDIES.
- b. NE SOULEVEZ JAMAIS UNE CASSEROLE EN FLAMMES – vous pourriez vous brûler.
- c. N'UTILISEZ PAS D'EAU, ni de serviettes ou de linges mouillés – une violente explosion de vapeur pourrait survenir.
- d. Utilisez un extincteur SEULEMENT si :
  - Vous savez qu'il est de classe ABC et vous connaissez déjà son mode de fonctionnement.
  - L'incendie n'est pas très important et ne se propage pas.
  - Vous avez déjà téléphoné au service des incendies.
  - Vous pouvez combattre l'incendie en faisant dos à une sortie.

<sup>a</sup> Conseils tirés de la publication de la NFPA « Kitchen Fire Safety Tips ».

Dans la mesure du possible, n'utilisez pas le système de ventilation en cas de feu sur la surface de cuisson. Cependant, ne traversez pas le feu pour l'éteindre.

Scellez les points de raccordement des conduits de manière appropriée.

• Les conduits doivent rejeter l'air à l'extérieur, et non dans des greniers par exemple, excepté si l'ensemble de recirculation non canalisé est utilisé.

### AVERTISSEMENT

#### RISQUE D'INCENDIE

Lorsque les brûleurs à gaz sont actionnés sans aucun ustensile de cuisine placé dessus, ils peuvent produire une chaleur intense. Un appareil de ventilation installé au-dessus de la cuisinière peut être endommagé ou prendre feu. N'utilisez les brûleurs que lorsque des ustensiles de cuisine sont placés dessus.

### AVERTISSEMENT

#### RISQUE D'INCENDIE

L'huile et la graisse chaudes prennent feu rapidement. Ne laissez jamais de l'huile et de la graisse chaudes sans surveillance. N'éteignez jamais un feu avec de l'eau. Éteignez l'élément de cuisson. Éteignez prudemment les flammes à l'aide d'un couvercle, d'une couverture antifeu ou d'un accessoire similaire.

### AVERTISSEMENT

#### RISQUE D'INCENDIE

Les dépôts de graisse dans le filtre à graisses peuvent prendre feu.

Nettoyez le filtre à graisses au moins tous les deux mois, ou aussi souvent que nécessaire. N'utilisez jamais l'appareil sans filtre à graisses.

### AVERTISSEMENT

#### RISQUE D'INCENDIE

Les dépôts de graisse dans le filtre à graisses peuvent s'enflammer. Ne travaillez jamais avec des flammes nues près de l'appareil (par ex. pour des flambées). N'installez l'unité près d'un appareil qui produit de la chaleur avec des combustibles solides (par ex. du bois ou du charbon) qu'en présence d'un couvercle fermé et fixe. Il ne doit pas y avoir production d'étincelles.

### AVERTISSEMENT

#### RISQUE D'INCENDIE

N'utilisez que des conduits métalliques.

### AVERTISSEMENT

#### RISQUE DE BRÛLURES

Les pièces accessibles chauffent en cours d'utilisation. Ne touchez jamais les pièces chaudes. Éloignez les enfants.

### ATTENTION

Il est recommandé de porter des gants et des manches longues pour se protéger les mains et les avant-bras des éraflures et d'éventuelles égratignures lors de l'installation.



# CONSIGNES DE SÉCURITÉ IMPORTANTES

LISEZ CES DIRECTIVES ET CONSERVEZ-LES

## Sécurité de l'enfant

Lorsque des enfants sont en âge d'utiliser l'appareil, il incombe aux parents ou aux tuteurs légaux de veiller à ce que des personnes qualifiées leur enseignent les pratiques sécuritaires.

Ne laissez personne monter, se tenir debout, s'allonger, s'asseoir sur l'appareil ou se pendre à une pièce de l'appareil. Cela peut endommager l'appareil ou causer des blessures.

---

### AVERTISSEMENT

Assurez-vous que l'ensemble de l'appareil (notamment les filtres à graisses et les ampoules, le cas échéant) est refroidi et que la graisse est solidifiée avant de nettoyer les pièces de l'appareil.

N'utilisez pas de nettoyeurs à vapeur pour nettoyer l'appareil.

## Avertissements relatifs à la proposition 65 de l'État de Californie

---

### AVERTISSEMENT

Ce produit pourrait contenir un produit chimique reconnu par l'État de la Californie comme cancérigène ou ayant des effets nocifs sur la reproduction. Par conséquent, l'emballage de votre produit pourrait porter l'étiquette suivante, comme requis par la Californie :

AVERTISSEMENT ISSUE DE LA PROPOSITION 65 DE L'ÉTAT DE LA CALIFORNIE :



### AVERTISSEMENT

Cancer et dommages à la reproduction -  
[www.P65Warnings.ca.gov](http://www.P65Warnings.ca.gov)

## Protection de l'environnement

Déballez l'appareil et mettez l'emballage au rebut conformément aux exigences environnementales.

---

### REMARQUE

Risque de dommages dus à la corrosion. Mettez toujours l'appareil en marche lorsque vous cuisinez pour éviter l'accumulation de condensation. La condensation peut entraîner des dommages liés à la corrosion.

Risque de dommages dû à l'humidité pénétrant dans les circuits électroniques. Ne nettoyez jamais le panneau de commande avec un chiffon humide.

Domages à la surface en cas de nettoyage non adapté. Nettoyez les surfaces en acier inoxydable dans le sens du grain uniquement. N'utilisez pas de nettoyeurs pour l'acier inoxydable sur le panneau de commande. N'utilisez jamais de nettoyeurs forts ou abrasifs, au risque d'endommager la surface.

Risque de dommages causés par un refoulement de la condensation. Installez le conduit de sortie de manière à ce qu'il soit légèrement incliné par rapport à l'appareil (inclinaison de 1°).

# AVANT DE COMMENCER

## Contrôle de l'installation

Ce système d'aspiration descendante peut être utilisé pour évacuer les sous-produits de cuisson tels que la chaleur, la vapeur et la fumée qui peuvent être créés lors de la cuisson à l'aide d'une cuisinière à gaz ou électrique. Cette conception polyvalente, il y a cinq (5) options de décharge de base - gauche, droite, arrière, avant et recirculation. Il est important de commencer par planifier l'installation. Il peut s'avérer nécessaire d'acheter des accessoires supplémentaires pour compléter l'installation.

La hotte peut être installée dans un îlot, une péninsule ou un mur ordinaire. Le ventilateur (vendu séparément) et le panneau électrique peuvent être fixés à la hotte, ou installés à l'intérieur d'une armoire ou à distance dans un endroit pratique.

Cette unité s'installe facilement en suivant ces étapes de base :

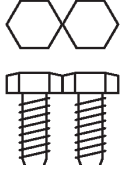
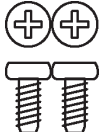
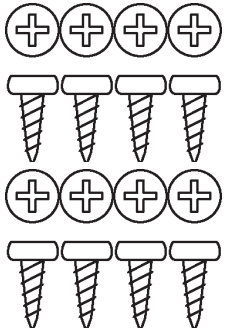
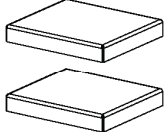
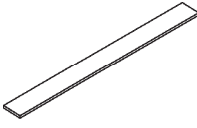
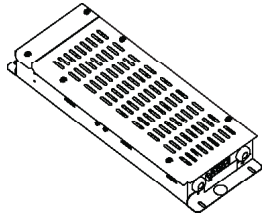
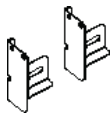
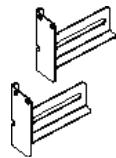
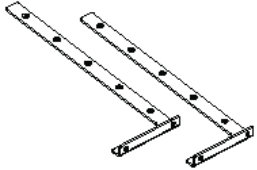


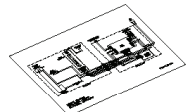
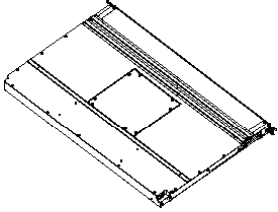
- Planifiez la pose.
- Découpez l'ouverture dans le comptoir.
- Préparez le boîtier de la hotte
- Découpez l'ouverture d'évacuation dans l'armoire.
- Installez la hotte dans l'armoire.
- Posez le jeu de joint d'étanchéité pour surface de cuisson au gaz, s'il y a lieu
- Raccordez les conduits et installez le ventilateur.
- Installez le panneau électrique de la hotte, s'il se trouve à distance.
- Installez l'appareil de cuisson.
- Installez les capots d'extrémité sur la hotte.
- Vérifiez le fonctionnement.

Remarque : le débit d'air élevé de cet appareil peut affecter la flamme sur certains types de surfaces de cuisson au gaz. Ce phénomène est NORMAL et ne causera aucun dommage, mais il peut être corrigé en diminuant la vitesse du ventilateur.

## Outils nécessaires

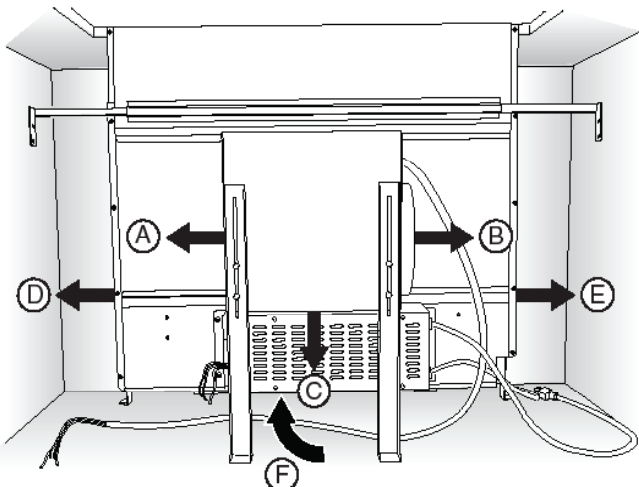
- Ruban à mesurer
- Crayon
- Tournevis cruciforme n° 2
- Tourne-écrous - 11/32 po (8,7mm), 3/8 po (9,5mm), 7/16 po (11,1mm)
- Clé polygonale
- Niveau à bulle
- Ruban d'aluminium (N'UTILISEZ PAS de ruban d'électricien)
- Scie
- Cisailles
- Gants de travail

## Pièces fournies

<b>1 - Sac de pièces contenant :</b>		
 2 - Vis à tête hexagonale, 1/4-20 x 0,50 (12,7mm)	 2 - Vis cruciformes, n° 8-18 x 0,375 (9,5mm)	 8 - Vis à bois à tête ronde cruciforme, n° 10 x 0,50 (12,7mm)
 2 - Bordures de capot d'extrémité	 1 - Modèle d'installation en plastique (voir page 32)	 1 - Panneau électrique
 2 - Pieds de support de 51mm (2 po)	 2 - Pieds de support de 102mm (4 po)	 2 - Supports supérieurs
 Directives d'installation	 Guide d'utilisation et d'entretien	 Diagramme de câblage
 Boîtier pour ventilateur à tirage descendant		

# PLANIFICATION DE LA POSE

## Sélection des options de conduits



Les 5 raccords de décharge de base, gauche, droite, arrière, avant et recirculation peuvent être réalisés de A à F avec les pièces en option listées.

1. Le système de ventilateur de hotte est conçu pour utiliser des conduits ronds de 203mm (8 po) avec un ventilateur flexible ou des conduits ronds de 152mm (6 po) avec un ventilateur distant. (Ventilateurs vendus séparément.) Six (6) différents raccords de sortie sont possibles - A à F, ci-dessous :

- A = 203mm (8 po) rond, sortie à gauche du ventilateur Flex
- B = 203mm (8 po) rond, sortie à droite du ventilateur Flex
- C = 203mm (8 po), sortie vers le bas du ventilateur Flex (panneau électrique à monter à distance)
- D = 48mm x 483mm (1-7/8 po x 19 po), sortie à gauche du boîtier vers le ventilateur à distance ou le ventilateur Flex situé à distance. Utilisez une transition de 48mm x 483mm (1-7/8 po x 19 po) à 152mm (6 po) ou 203mm (8 po) ronde, selon ce qui est approprié.
- E = 48mm x 483mm (1-7/8 po x 19 po), sortie à droite du boîtier vers le ventilateur à distance ou le ventilateur Flex situé à distance. Utilisez une transition de 48mm x 483mm (1-7/8 po x 19 po) à 152mm (6 po) ou 203mm (8 po) ronde, selon ce qui est approprié.
- F = 48mm x 483mm (1-7/8 po x 19 po), sortie à l'arrière du boîtier vers le ventilateur à distance ou le ventilateur Flex situé à distance. Utilisez une transition de 48mm x 483mm (1-7/8 po x 19 po) à 152mm (6 po) ou 203mm (8 po) ronde, selon ce qui est approprié.

2. Pour la meilleure performance : Choisissez l'option qui permet l'utilisation des conduits les plus courts possible et un nombre minimum de coudes et de transitions. Vérifiez l'emplacement des solives du plancher, des montants des murs, des fils électriques et de la plomberie pour éviter les nuisances éventuelles.

**Remarque :** Le fabricant n'assume aucune responsabilité pour les plaintes imputables à la section des conduits.

- Le dispositif atteint ses performances optimales avec l'utilisation d'un conduit d'évacuation d'air court et droit et d'un diamètre aussi grand que possible.
- Les performances d'extraction optimales ne sont pas atteintes et les bruits du ventilateur sont accrus si les conduits d'évacuation d'air sont longs et irréguliers et s'il existe un grand nombre de coudes ou si le diamètre est inférieur à 152mm (6 po).
- Les tuyaux qui servent de base au conduit d'évacuation d'air doivent être composés d'un matériau non combustible.
- Scellez les points de raccordement des conduits de manière appropriée.
- Les conduits doivent rejeter l'air à l'extérieur, et non dans des greniers par exemple, excepté si 'l'ensemble de recirculation non canalisé' est utilisé.

## Préparation des conduits

### RECOMMANDATIONS CONCERNANT LES CONDUITS

Pour assurer une bonne performance, il est impératif de disposer de conduits adéquats. Il se peut que les codes de construction locaux préconisent l'utilisation de systèmes d'air de compensation avec des systèmes de conduits de ventilation brassant de l'air à un taux supérieur au nombre de mètres cubes par minute spécifié. Le taux en mètres cubes par minute varie d'un endroit à l'autre. Il incombe au propriétaire et à l'installateur de déterminer si des installations spécifiques sont régies par des exigences ou normes supplémentaires.

**N'UTILISEZ PAS DE CONDUITS FLEXIBLES ;** ils créent une contre-pression / turbulence de l'air et réduisent la performance. Installez toujours un couvercle d'évent métallique à l'endroit où le conduit sort de la maison.

Par TEMPS FROID, les conduits des installations doivent être dotés d'un registre antirefoulement pour minimiser le retour d'un flot d'air froid et d'une barrière thermique non métallique pour minimiser la conduction des températures extérieures.

L'amortisseur doit se trouver sur le côté à air froid de la barrière thermique. La barrière doit se trouver le plus près possible du point où le conduit pénètre dans la partie chauffée de la maison.

**AIR DE COMPENSATION :** Il se peut que les codes de construction locaux préconisent l'utilisation de systèmes d'air de compensation avec des systèmes de conduits de ventilation brassant de l'air à un taux supérieur au nombre de mètres cubes par minute spécifié. Le taux en mètres cubes par minute varie d'un endroit à l'autre. Il incombe au propriétaire et à l'installateur de déterminer si des installations spécifiques sont régies par des exigences ou des normes supplémentaires.

Par mesure de sécurité les conduits doivent rejeter l'air directement à l'extérieur (et non dans un grenier, sous la maison, dans le garage ou dans un espace fermé). L'unité ne peut pas être utilisée conjointement avec une unité de recirculation.

BOSCH® Recommande de ne pas dépasser 15 mètres (50 pi) de conduit équivalent.

### Planification des armoires

Pour une sortie à gauche, à droite ou à l'arrière : Prévoir au moins 457mm (18 po) pour la transition et le coude ou le ventilateur.

#### Pour une sortie à gauche ou à droite :

Une armoire de 762mm (30 po) de profondeur est recommandée pour un alignement adéquat avec le ventilateur Flex. Le ventilateur Flex peut être fixé à la paroi arrière de l'armoire ou à une plateforme ou un cadre (non fourni) appuyé sur la base de l'armoire. (Consulter les instructions s'appliquant au ventilateur Flex).



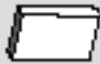
















Une armoire de 610mm à 762mm (24 à 30 po) de profondeur est nécessaire selon le type d'appareil de cuisson.

Pour certaines applications, les raccordements à gaz ou électriques devront être déplacés ou acheminés autour de la hotte.

Pour les installations de surface de cuisson au gaz, veillez à prévoir une ouverture d'au moins 174 cm<sup>2</sup> (27 po<sup>2</sup>) dans le coup de pied et la base de l'armoire. Une ventilation inadéquate de l'armoire sous la surface de cuisson peut entraîner l'extinction de la flamme lors de l'utilisation du ventilateur à des vitesses plus élevées.

**Remarque :** Il faut acheter un jeu de joint d'étanchéité pour la surface de cuisson au gaz. Le jeu comprend des couvercles pour les trous du coup de pied et de la base de l'armoire ainsi qu'une bande de joint d'étanchéité pour la surface de cuisson.

# TABLEAU DES ÉQUIVALENCES DE CONDUITS

Section de conduit		Dimensions (en mm/ pouces)	Équivalent en longueur (m/piéds)	Section de conduit		Dimensions (en mm/ pouces)	Équivalent en longueur (m/piéds)
	Lisse, droit	152 (6)	0,37 (1,2)		83mm x 254mm (3¼ po x 10 po) à coude 90° conduit rond	152 (6)	3 (10)
		203 (8)	0,21 (0,7)				
		254 (10)	0,18 (0,6)				
	83mm x 254mm (3¼ po x 10 po) droit	S.O.	0,3 (1)		83mm x 254mm (3¼ po x 10 po) coude Inverse central, gauche	S.O.	4,6 (15)
	83mm x 356mm (3¼ po x 14 po), droit	S.O.	0,21 (0,7)		83mm x 254mm (3¼ po x 10 po) coude Inverse central, droit	S.O.	7,6 (25)
	Coude 90°, conduit rond	152 (6)	3,7 (12)		83mm x 254mm (3¼ po x 10 po) coude Inverse gauche	S.O.	4,6 (15)
		203 (8)	1,8 (6)				
		254 (10)	1,5 (5)				
	Coude 45°, conduit rond	152 (6)	1,5 (5)		83mm x 254mm (3¼ po x 10 po) coude Inverse droit	S.O.	7,6 (25)
		203 (8)	0,9 (3)				
		254 (10)	0,6 (2)				
	Coude 90°, 83mm x 254mm (3¼ po x 10 po), conduit rond	S.O.	1,5 (5)		Capuchon mural rond	152 (6)	0,6 (2)
	Coude 45°, 83mm x 254mm (3¼ po x 10 po), conduit rond	S.O.	4,6 (15)			203 (8)	0,6 (2)
	Coude plat, 83mm x 254mm (3¼ po x 10 po)	S.O.	6,1 (20)			254 (10)	0,6 (2)
	83mm x 254mm (3¼ po x 10 po) à conduit rond	152 (6)	1,5 (5)		Capuchon de toit rond	152 (6)	0,6 (2)
		203 (8)	0,6 (2)				
		254 (10)	0,6 (2)				
	Conduit rond à coude 90° 83mm x 254mm (3¼ po x 10 po)	152 (6)	3 (10)		51mm (2 po) de long, 83mm x 254mm (3¼ po x 10 po) flex	S.O.	6,1 (20)
		203 (8)	0,6 (2)		83mm x 254mm (3¼ po x 10 po) Évent de toiture et clapet	S.O.	0,6 (2)

**REMARQUE :** Ces pièces d'installation couramment utilisées sont en vente dans les quincailleries locales.

Mesures en millimètres (pouces).



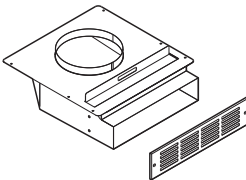
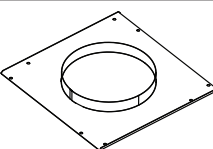
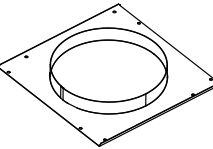
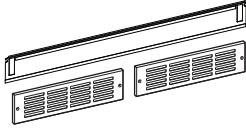
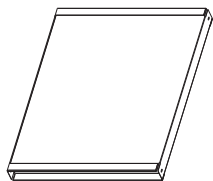
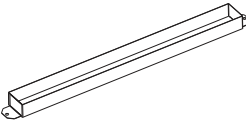
## ACCESSOIRES (vendus séparément)

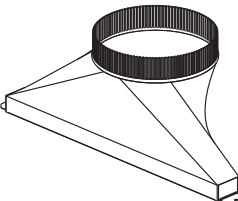
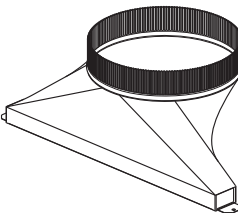
### Ventilateur flexible

Bosch DHG602DUC

### Ventilateurs en ligne et à distance

Modèles Bosch DHG6023RUC, DHG6015NUC

MODÈLE	DESCRIPTION
 <p><b>HDDREC5UC HDDFILTUC</b> (filtre de rechange)</p>	<p>Ensemble de recirculation non canalisée Utilisé dans les applications où l'utilisation de conduits n'est pas réalisable ou disponible. Montez-le sur le coup de pied ou la base d'une armoire et raccordez-le directement au ventilateur flexible DHG602DUC à l'aide d'un conduit rond de 203mm (8 po). L'ensemble peut être tourné afin que la sortie ne soit pas directement à vos pieds. Comprend une plaque de couverture décorative.</p>
 <p><b>HDDFTRAN6</b></p>	<p>Plaque de raccordement - 152mm (6 po) (conduit rond) Utilisez-la pour les applications où le conduit rond de 152mm (6 po) ou le coude se fixe à l'avant du boîtier d'air (installation du ventilateur en ligne ou à distance).</p>
 <p><b>HDDFTRAN8</b></p>	<p>Plaque de raccordement - 203mm (8 po) (conduit rond) Utilisez-la pour les applications où le conduit rond de 203mm (8 po) ou le coude se fixe à l'avant du boîtier d'air (installation du ventilateur DHG602DUC en ligne).</p>
 <p><b>HDD0RSP HDD6RSP</b></p>	<p>Jeu de joint d'étanchéité pour surface de cuisson au gaz - 762mm (30 po), 914mm (36 po) Utilisé pour assurer l'étanchéité entre la surface de cuisson au gaz et la hotte. Inclut également les plaques de couverture des trous ménagés dans l'armoire. Deux grilles sont prévues dans le jeu, mais vous n'en aurez peut-être besoin que d'une pour votre installation.</p>
 <p><b>HDD2RECTD</b></p>	<p>Conduit rectangulaire - sections de 0,6m (2 pi) [48mm x 483mm (1-7/8 po x 19 po)] en acier galvanisé. Les sections de 0,6m (2 pi) peuvent être raccordées ensemble.</p>
 <p><b>HDDSTRAN2</b></p>	<p>Adaptateur rectangulaire pour 48mm x 483mm (1-7/8 po x 19 po) S'utilise pour raccorder un conduit rectangulaire de 48mm x 483mm (1-7/8 po x 19 po) directement à la hotte lors de l'utilisation d'une sortie latérale ou arrière.</p>

MODÈLE	DESCRIPTION
 <p><b>HDDSTRAN6</b></p>	<p>Transition ronde 48mm x 483mm (1-7/8 po x 19 po) à 152mm (6 po) Transition rectangulaire à 152mm (6 po) ronde pour sortie à gauche, à droite ou à l'arrière - avec le ventilateur Flex modèle DHG602DUC. Peut se fixer à l'unité à tirage descendant ou au conduit rectangulaire (HDD2RECTD)</p>
 <p><b>HDDSTRAN8</b></p>	<p>Transition ronde 48mm x 483mm (1-7/8 po x 19 po) à 203mm (8 po) Transition rectangulaire à 203mm (8 po) ronde pour sortie à gauche, à droite ou à l'arrière - avec ventilateur en ligne ou distant. Peut se fixer à l'unité à tirage descendant ou au conduit rectangulaire (HDD2RECTD)</p>

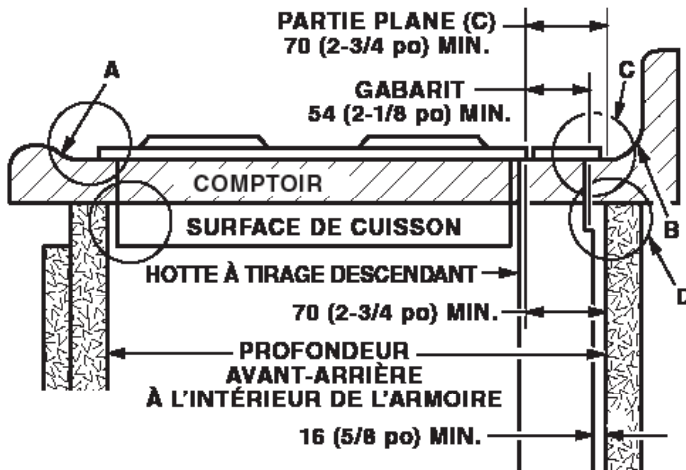


# INSTALLATION

## Prise de mesures

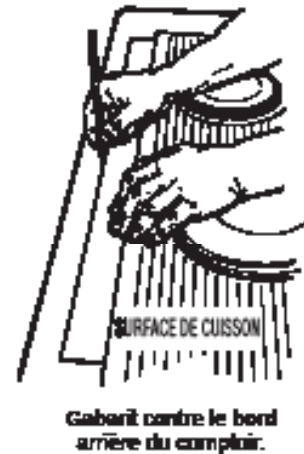
1. Consultez les directives d'installation de la surface de cuisson pour les dimensions de la surface de cuisson, de l'ouverture à découper dans le comptoir et de l'armoire. Toutefois, il est recommandé que l'armoire soit plus grande que nécessaire pour faciliter l'installation. Les îlots conçus sur mesure doivent comporter des armoires plus profondes - particulièrement lorsque le ventilateur est placé derrière la hotte. Vous devez également prévoir une porte d'accès.

Faites particulièrement attention aux nuisances possibles indiquées ci-dessous. Un comptoir avec (A) une lèvre soulevée ou (B) un dossier qui risque de laisser une surface plane insuffisante pour l'installation. Notez qu'il faut un espace minimum de 70mm (2-3/4 po) de plan de travail derrière la surface de cuisson (C) et un minimum de 70mm (2-3/4 po) entre le bord arrière de la surface de cuisson et l'intérieur de l'arrière de l'armoire (D).



## Découpage de l'ouverture du comptoir

1. Tracez et découpez l'ouverture de la surface de cuisson suffisamment vers l'AVANT de sorte que la hotte puisse s'encaster derrière.
2. Mettez la surface de cuisson en place et glissez-la le plus possible vers l'avant sans qu'aucun écart ne soit visible. Centrez-la et vérifiez son équerre avec les bords du comptoir.

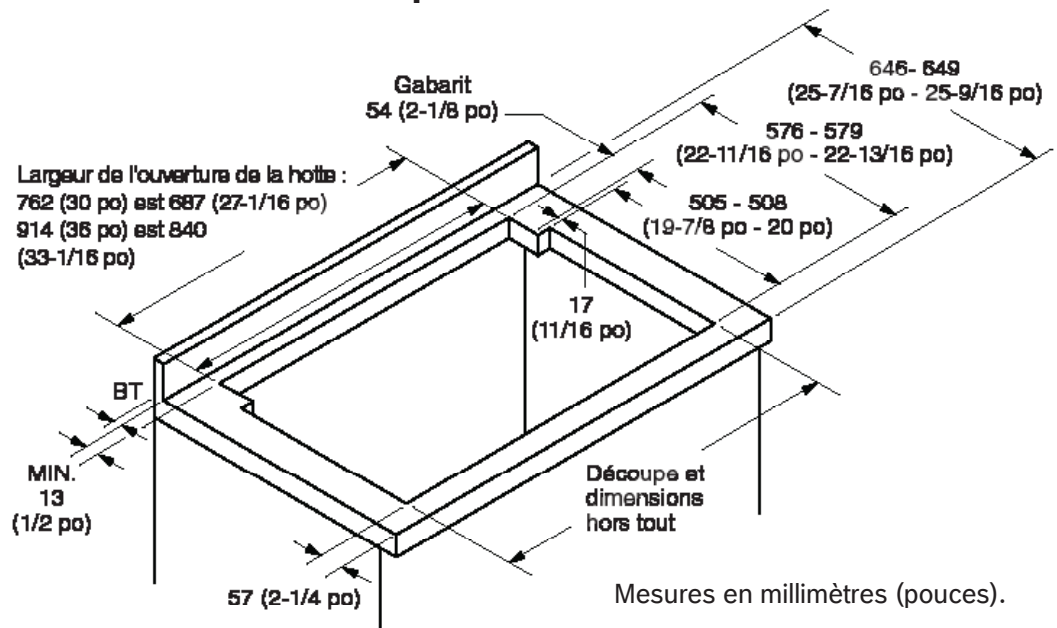


3. Placez le gabarit en plastique contre le rebord arrière de la surface de cuisson. Centrez le gabarit. Tracez le pourtour du gabarit pour marquer l'ouverture de la hotte encastree.
4. Retirez la surface de cuisson du comptoir.
5. Découpez l'ouverture de la hotte. Prenez garde de ne pas ébarber les bords du comptoir.

## Installation avec surfaces de cuisson électriques et à induction

La dimension « BT » est l'épaisseur du dossier qui assure un dégagement de 13mm (1/2 po) entre l'évent et le dossier. Tout dossier incurvé au point de jonction avec le plan de travail nécessite un dégagement supplémentaire. Il est possible d'utiliser des dossiers plus épais en augmentant l'épaisseur du plan de travail et de l'armoire.

Placez la surface de cuisson dans l'ouverture du plan de travail de manière à ce que le bord arrière de la surface de cuisson chevauche le bord avant de la hotte.

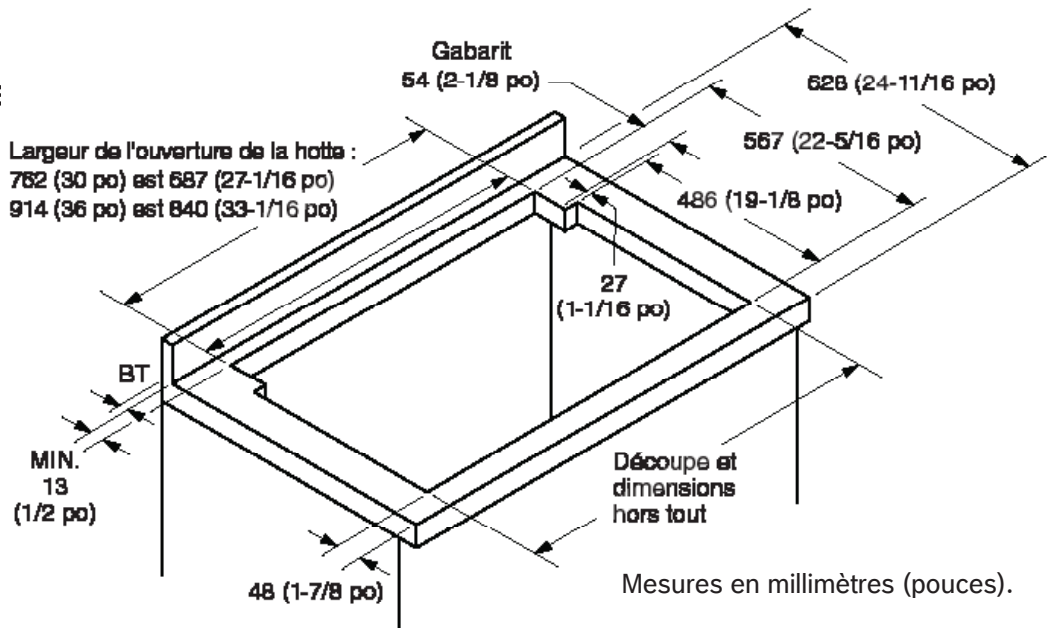


# INSTALLATION

## Installation avec surface

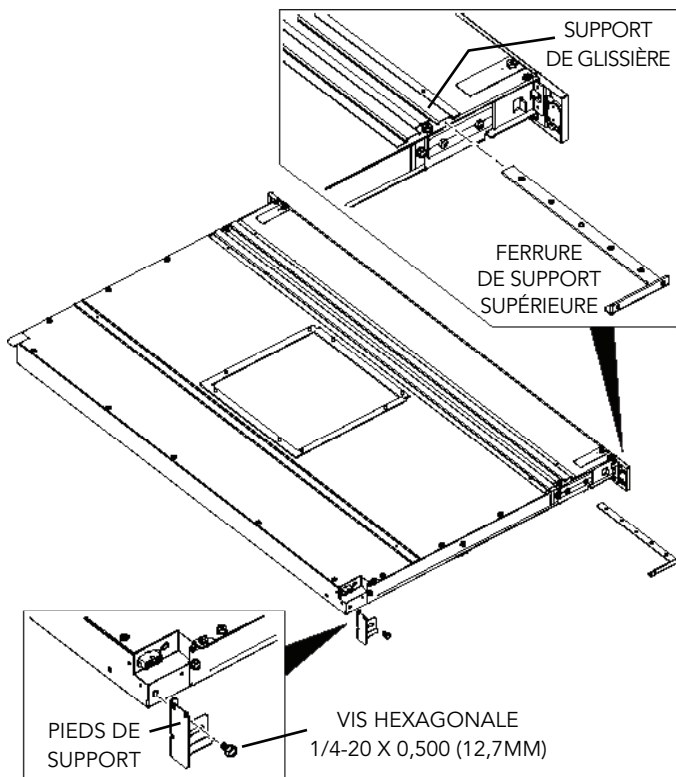
La dimension « BT » est l'épaisseur du dossier qui assure un dégagement de 13mm (1/2 po) entre l'évent et le dossier. Tout dossier incurvé au point de jonction avec le plan de travail nécessite un dégagement supplémentaire. Il est possible d'utiliser des dossiers plus épais en augmentant l'épaisseur du plan de travail et de l'armoire.

Placez la surface de cuisson dans l'ouverture du plan de travail de manière à ce que le bord arrière de la surface de cuisson chevauche le bord avant de la hotte.



## Préparation du boîtier de la hotte

1. Placez la hotte sur le dos sur une table ou une surface de travail plane.

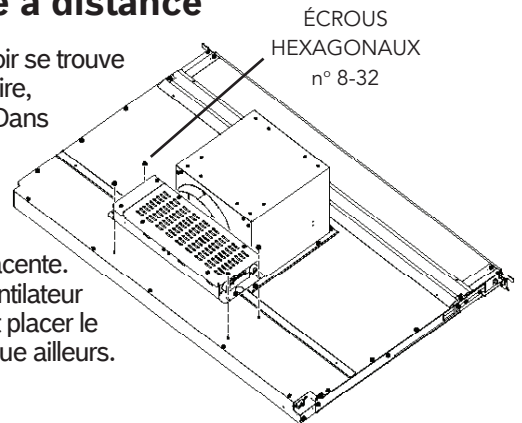


2. Glissez les supports supérieurs dans la coulisse en haut à gauche et à droite de l'unité.

Fixez les pieds de support courts ou longs (selon la hauteur de l'armoire) au bas de l'unité sur les côtés à l'aide des vis hexagonales fournies. Ne serrez pas complètement ces vis à cette étape-ci.

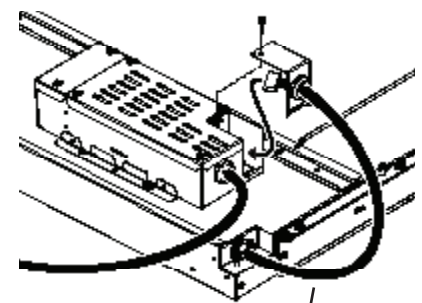
## En option : Le panneau électrique peut être monté à distance

Exemple : Un tiroir se trouve au bas de l'armoire, devant la hotte. Dans ce cas, il se peut que le panneau électrique doive être monté dans une armoire adjacente. Si la sortie du ventilateur est en bas, il faut placer le panneau électrique ailleurs.



1. Retirez les (4) écrous hexagonaux n° 8-32 et le panneau électrique. Ne procédez pas au montage si les fentes du panneau électrique sont orientées vers le bas.
2. L'installation d'un panneau électrique situé à distance devra probablement être terminée après le raccordement des conduits et l'installation du ventilateur. Installez le panneau électrique conformément aux codes locaux.

**Remarque :** Le câble d'interconnexion peut être débranché (voir l'illustration) pour faciliter l'acheminement des câbles destinés à l'installation à distance du panneau électrique.



# INSTALLATION

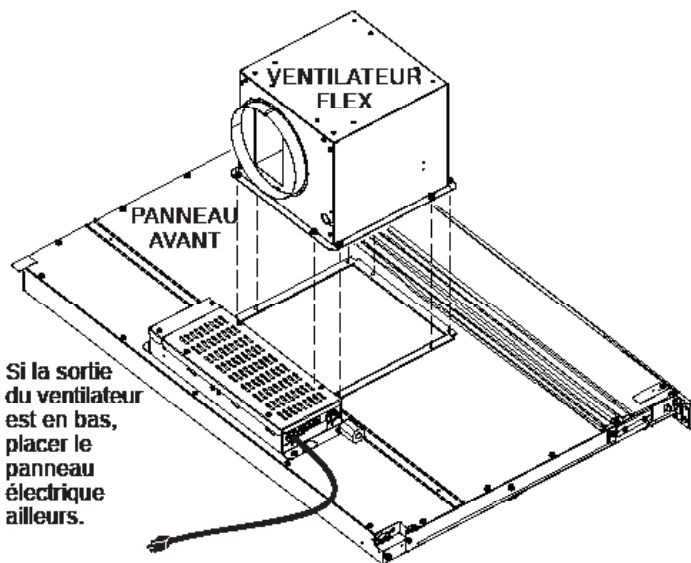
Suivant l'option de ventilateur ou de conduit choisie, passez à la section pertinente :

**A - Installation avec ventilateur flexible attaché à la hotte**

**B - Installation avec ventilateur flexible ou à distance - monté à distance - conduits passant par l'ouverture du panneau avant**

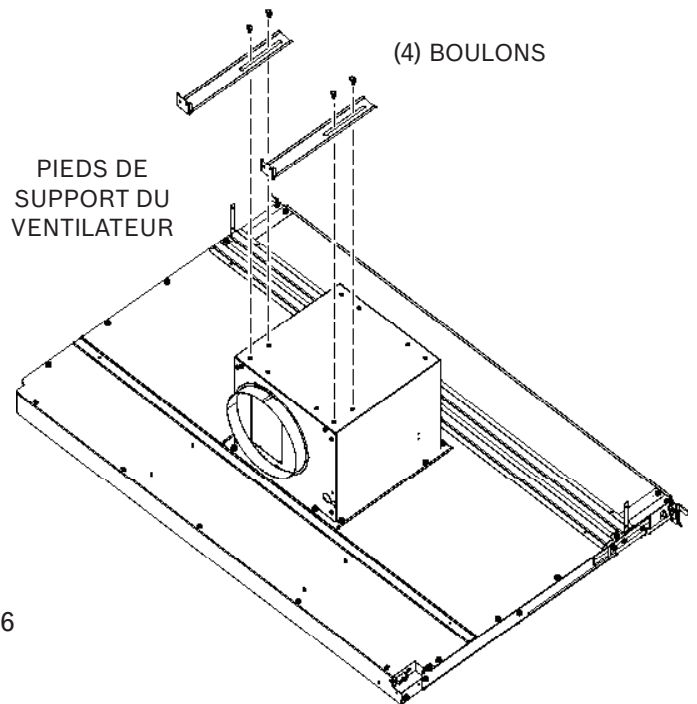
**C - Installation avec ventilateur flexible ou à distance - monté à distance - conduits passant à gauche, à droite ou à l'arrière**

**A - Installation avec ventilateur flexible attaché à la hotte**



(Achetez un ventilateur flexible modèle DHG602DUC séparément.)

1. Enlevez les écrous hexagonaux pour retirer le couvercle du panneau avant.
2. Déterminez si le ventilateur Flex sortira à gauche, à droite ou vers le bas.
3. Si la sortie du ventilateur est vers le bas, retirez les (4) écrous hexagonaux n° 8-32 et le panneau électrique.
4. Placez le ventilateur sur les goujons situés autour de l'ouverture du panneau avant.
5. Serrez les écrous hexagonaux pour fixer le ventilateur en place.

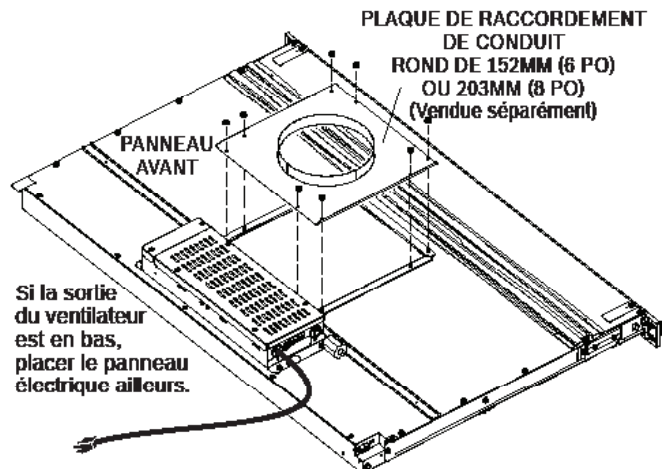


6  
 Les pieds de support du ventilateur sur le boîtier du ventilateur Flex au moyen de ces (4) boulons. Ne serrez pas complètement ces boulons à cette étape-ci.

**B - Installation avec ventilateurs en ligne ou à distance - conduits passant par l'ouverture du panneau avant**

## ATTENTION

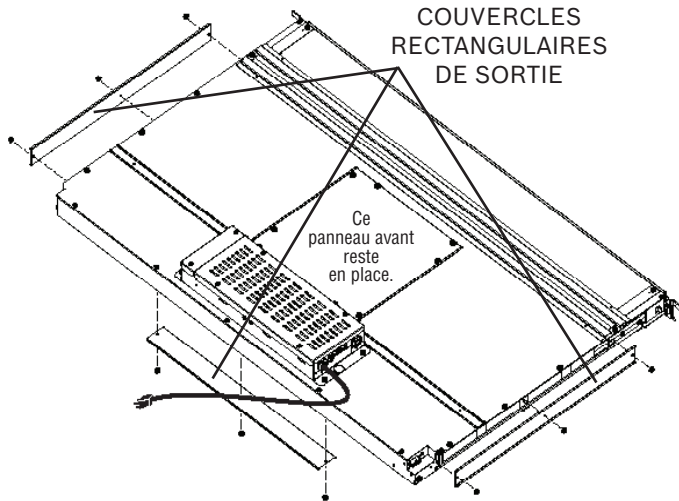
Si le ventilateur flexible est monté comme ventilateur en ligne : N'utilisez pas seulement les pieds comme supports. Il peut être nécessaire d'ajouter d'autres supports au ventilateur flexible.



1. Enlevez les écrous hexagonaux pour retirer le couvercle du panneau avant.
2. Si la sortie du ventilateur est vers le bas, retirez les (4) écrous hexagonaux n° 8-32 et le panneau électrique.
3. Placez la plaque de raccordement des conduits ronds de 152mm ou 203mm (6 po ou 8 po) (achetés séparément) sur les goujons situés autour de l'ouverture du panneau avant.
4. Serrez les écrous hexagonaux pour fixer la plaque de sortie à distance en place.

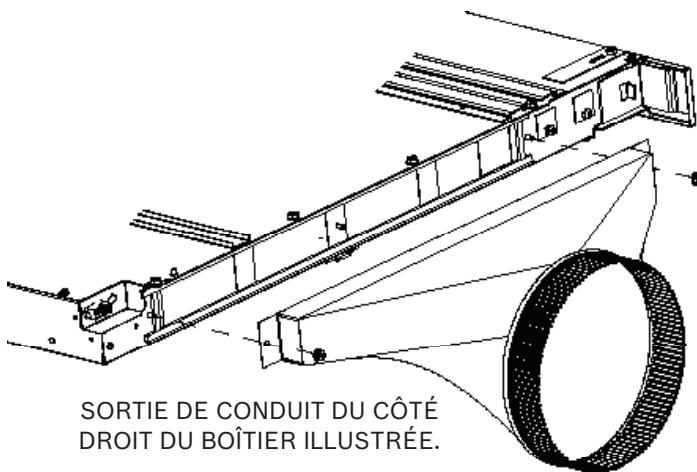
# INSTALLATION

## C - Installation avec ventilateur en ligne ou à distance - conduits passant à gauche, à droite ou à l'arrière



(Exige l'achat d'une transition de 48mm x 483mm (1-7/8 po x 19 po) à 203mm (8 po) ou 254mm (10 po) de conduit rond. Des adaptateurs pour conduits rectangulaires de 48mm x 483mm (1-7/8 po x 19 po) sont aussi disponibles.)

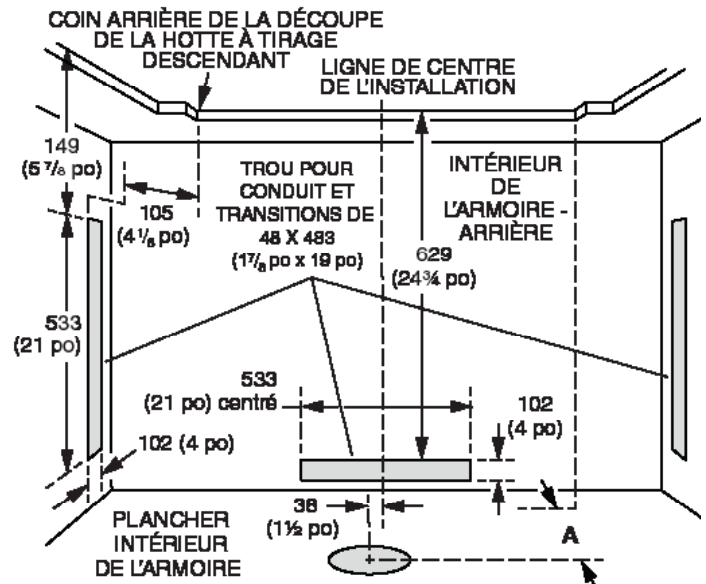
1. Enlevez un seul COUVERCLE RECTANGULAIRE DE SORTIE.



2. Utilisez des écrous pour raccorder l'adaptateur de conduit rectangulaire de 48mm x 483mm (1-7/8 po x 19 po) ou la transition de 48mm x 483mm (1-7/8 po x 19 po) à 152mm (6 po) ou 203mm (8 po) ronde lors de la pose du conduit.

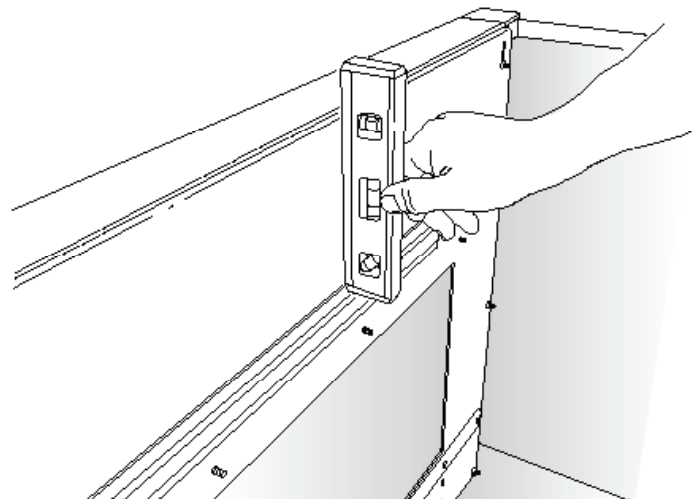
## Découpage de l'ouverture pour conduits dans l'armoire

1. Mesurez et marquez l'endroit où découper l'ouverture pour les conduits dans l'armoire, selon l'option sélectionnée. Utilisez les dimensions indiquées dans l'illustration ci-dessous pour planifier l'accès des conduits dans l'armoire.



Ouverture dans le bas de l'armoire
Dimension A
Ventilateur Flex (Modèle DHG602DUC) et conduit rond de 203mm (8 po) à la verticale vers le bas à travers le plancher de l'armoire. (à 38mm (1 1/2 po) à gauche de la ligne de centre de l'installation)
197mm (7-3/4 po)

Mesures en millimètres (pouces).



2. Placez la hotte dans l'armoire / l'ouverture du comptoir aussi loin que possible vers l'arrière et assurez-vous qu'elle est de niveau.

# INSTALLATION

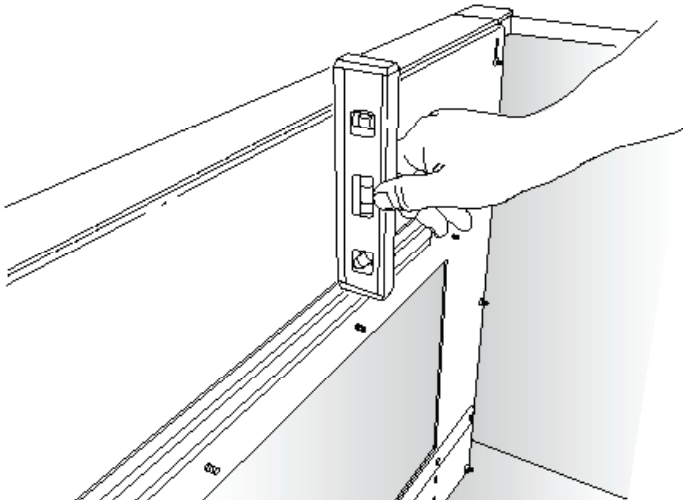
3. Vérifiez que les repères de l'armoire s'alignent sur les conduits venant de la hotte.
4. Sortir le boîtier de la hotte de l'armoire.

## ⚠ ATTENTION

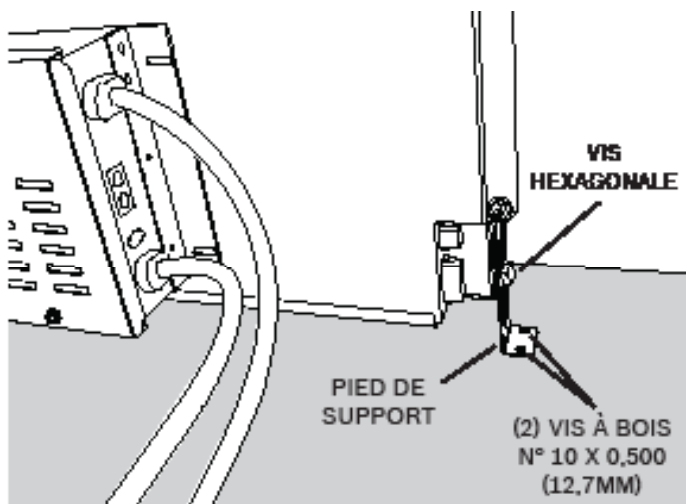
Avant de découper l'ouverture des conduits dans l'armoire, vérifiez que les solives du plancher, les montants des murs, les fils électriques et la plomberie ne présentent aucune nuisance.

5. Découpez les ouvertures pour conduits dans l'armoire ainsi que dans les murs ou le plancher, selon le cas.

## Montage de la hotte dans l'armoire

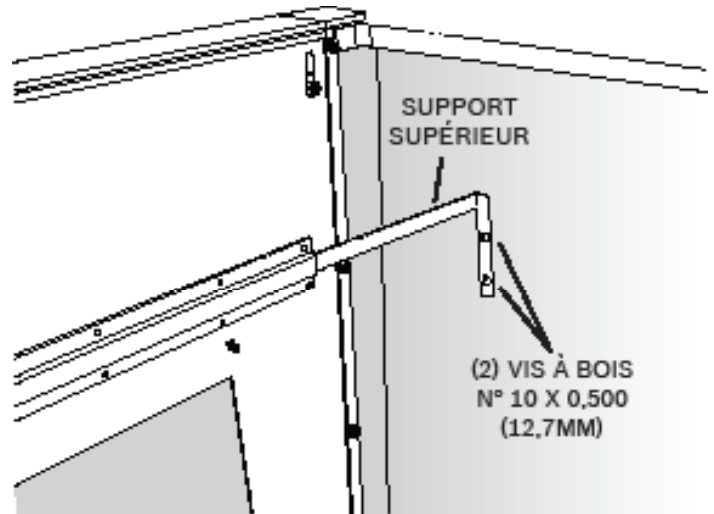


1. Placez la hotte dans l'armoire / l'ouverture du comptoir aussi loin que possible vers l'arrière et assurez-vous qu'elle est de niveau.



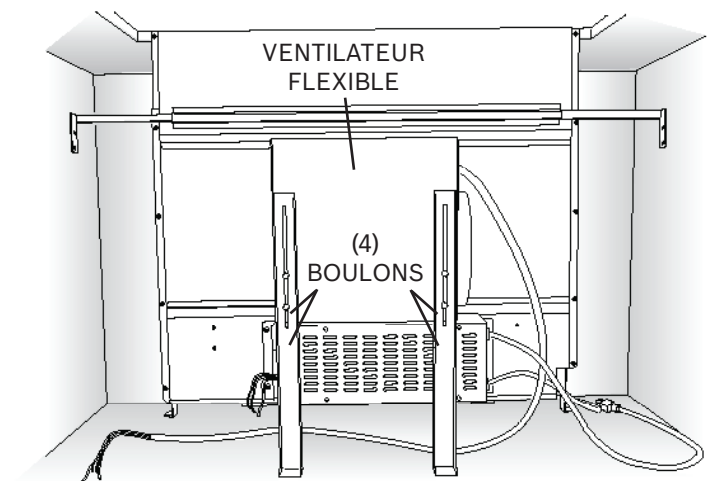
2. Allongez les pieds de support et fixez-les au bas de l'armoire avec (2) vis dans chaque pied. Serrez les vis hexagonales.

Si le bas de l'armoire est enlevé : Utilisez des blocs comme cales d'espacement entre le plancher et les pieds de support.



3. Allongez les supports supérieurs et fixez-les sur les côtés de l'armoire avec (2) vis dans chaque support.

## Installations avec ventilateur flexible seulement :



4. Allongez les pieds du ventilateur et fixez-les au bas de l'armoire avec une vis dans chaque support. Serrez les (4) boulons pour fixer les pieds au ventilateur Flex.

# INSTALLATION

## **Surfaces de cuisson au gaz uniquement : Pose du jeu de joint d'étanchéité pour surface de cuisson au gaz (Acheter séparément)**

Disponible pour les surfaces de cuisson au gaz - lorsqu'une étanchéité adéquate est requise et que des trous sont nécessaires dans la base de l'armoire. Le jeu comprend une bande d'étanchéité, une plaque de couverture de coup de pied et une plaque de couverture de trou dans l'armoire.

Des directives d'installation sont incluses avec le jeu de joint étanchéité pour surface de cuisson au gaz.

## **Installation de capuchons de toit et de mur, de ventilateur en ligne ou à distance**

1. Suivre les instructions incluses avec les capuchons, et le ventilateur en ligne ou à distance.

## **Raccordement des conduits**

1. Installez le capuchon de toit ou de mur et, tout en revenant vers l'armoire, posez tous les conduits, coudes et transitions prévus.
2. Raccordez le conduit (et la transition, s'il y a lieu) au ventilateur Flex ou à la hotte. Au besoin, utilisez (2) vis cruciformes n° 8-18 x 0,375 (9,5mm) pour la transition

Remarque : Quelle que soit la position du ventilateur et de la sortie, utilisez du ruban pour conduit pour vous assurer que tous les joints sont solides et étanches. Faites de même pour tous les joints ou écarts entre les parois et le ventilateur.

## **Installation du panneau électrique (si précédemment retiré du boîtier de la hotte)**

1. Si le panneau électrique a été retiré du boîtier de la hotte pour pouvoir le monter à distance : Montez le panneau à l'emplacement choisi.

Remarque : Ne montez pas le panneau si les fentes du couvercle sont orientées vers le bas.

## **Planification du câblage de la maison**

### **▲ AVERTISSEMENT**

#### **RISQUE DE CHOC ÉLECTRIQUE**

Les pièces à l'intérieur de l'appareil peuvent présenter des bords tranchants. Le câble de connexion peut être endommagé. Ne pliez pas et ne pincez pas les câbles de connexion lors de l'installation.

Avant de raccorder l'appareil, vérifiez le câblage de la maison pour vous assurer que les circuits sont suffisamment protégés. La tension et la fréquence de l'appareil doivent correspondre à l'installation électrique (voir la plaque signalétique).

Seul un électricien qualifié qui prend en compte les réglementations appropriées peut poser ou remplacer le câble de connexion.

Respectez toutes les règles, codes et lois en vigueur.

Assurez-vous que la connexion électrique respecte les exigences de la dernière version de toutes les normes et lois applicables dans le pays approprié, particulièrement les normes suivantes :

Code national de l'électricité, ANSI/NFPA 70\* ou Normes CSA C22.1-94, Code canadien de l'électricité, Partie 1 et C22.2 No.0-M91\*\*, UL 507.

Demandez à un électricien qualifié de vérifier la mise à la terre de l'appareil.

N'effectuez pas une mise à la terre vers un conduit de gaz.

Conservez ces instructions d'installation pour référence ultérieure.

Assurez-vous que le diamètre de câble respecte les exigences de la dernière version de toutes les normes et lois applicables dans le pays approprié, particulièrement les normes suivantes :

Code national de l'électricité, ANSI/NFPA 70\* ou Normes CSA C22.1-94, Code canadien de l'électricité, Partie 1 et C22.2 No.0-M91\*\*.

Cette hotte utilisant un ventilateur Flex (vendu séparément) consomme 3,0 A et exige un circuit de 120 VCA, 60 Hz.

Cette hotte utilisant des ventilateurs à distance modèles DHG6015NUC et DHG6023RUC (vendus séparément) consomme 5,0 A (max) et exige un circuit de 120 VCA, 60 Hz.

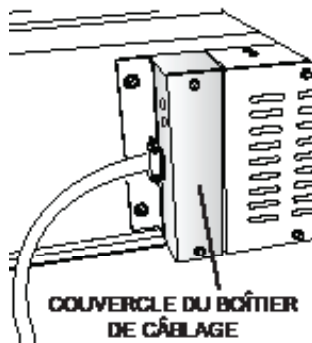
L'unité comporte un cordon électrique de 762mm (30 po) de longueur muni d'une fiche à trois broches. Prévoyez l'installation d'une prise de courant mise à la terre dans un endroit accessible au cordon de l'appareil.

# INSTALLATION

## Installation du câblage électrique

**ATTENTION :** La pose de l'appareil et les travaux d'électricité doivent être effectués par des personnes qualifiées en respectant la réglementation en vigueur, notamment les codes et les normes de la construction ayant trait à la résistance au feu.

**ATTENTION :** N'utilisez pas de rallonge. Si le cordon d'alimentation du produit est trop court, demandez à un électricien qualifié d'installer une prise à trois fentes.



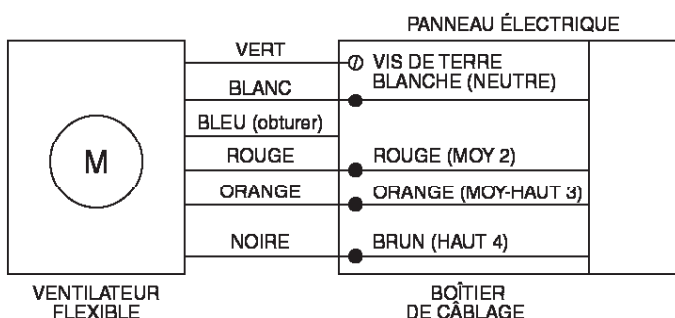
1. Installez un boîtier de câblage standard, avec une prise pour fiches à trois lames accessible pour le cordon de la hotte.
2. Retirez le couvercle du boîtier de câblage du panneau électrique. Fixez le câble d'alimentation du ventilateur au boîtier de câblage du panneau électrique à l'aide d'une bague antitraction homologuée U.L.

Suivant l'option de ventilateur choisie, passez à la section pertinente :

### A - Câblage de ventilateur Flex

### B - Câblage de ventilateur à distance

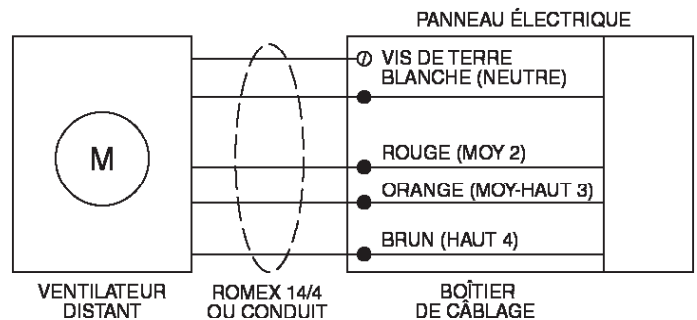
### A - Câblage de ventilateur Flex



3. Raccordez les fils du ventilateur flexible aux fils du boîtier de câblage du panneau électrique tel qu'illustré. Obturez les fils BLEUS (vitesse LENTE 1)
4. Remplacez le couvercle du boîtier de câblage.

### B - Câblage de ventilateur à distance

3. Vous pouvez utiliser les ventilateurs distants suivants :  
DHG6023RUC - Ventilateur distant 17 m<sup>3</sup>/min (600 pi<sup>3</sup>/min)  
DHG6015NUC - Ventilateur en ligne 17 m<sup>3</sup>/min (600 pi<sup>3</sup>/min) 120 VAC • 60 Hz • 5,0 A (max.)
4. Installez un boîtier de câblage standard, avec une prise pour fiches à trois lames accessible pour le cordon de la hotte.



**REMARQUE :** Certains ventilateurs sont dotés de fiches ou de connecteurs qui doivent être retirés; le ROMEX 14/4 ou un câblage de conduit doit être raccordé dans un boîtier de connexion homologué.

5. Raccordez les fils d'alimentation aux fils du boîtier de câblage du panneau électrique tel qu'illustré.
6. Remplacez le couvercle du boîtier de câblage.

### Branchez la hotte à l'alimentation électrique

1. Branchez le cordon d'alimentation de la hotte dans la prise pour fiches à trois lames. Assurez-vous que le cordon électrique passe loin de la chaleur produite par la surface de cuisson.
2. Vérifiez le fonctionnement du carillon.
3. Enlever tout le film protecteur et l'emballage avant l'opération. Pour retirer tout le film protecteur et l'emballage, soulevez le boîtier d'admission et retirez le panneau avant pour accéder à la zone du filtre.

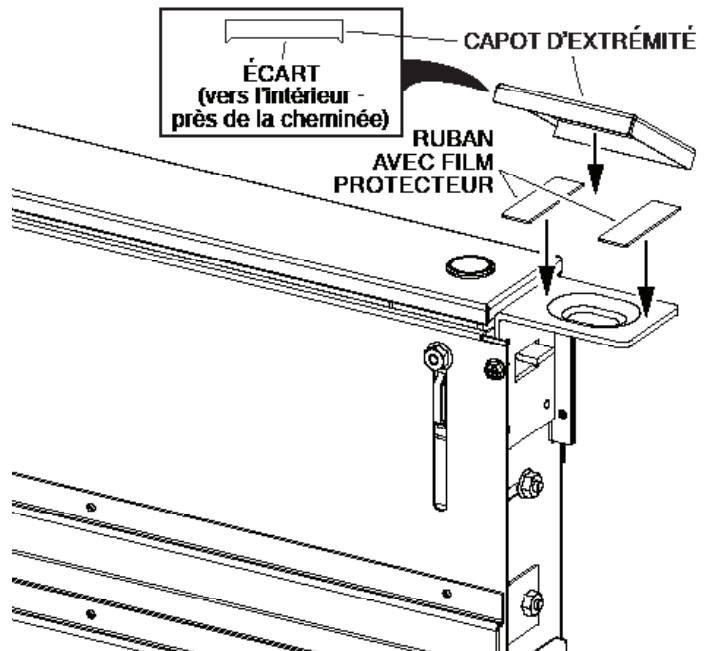
# INSTALLATION

## Installation de l'appareil de cuisson

Alignez l'appareil de cuisson sur la hotte encastrée et fixez-le conformément aux instructions qui l'accompagnent.

**REMARQUE :** L'alignement adéquat de l'appareil de cuisson et de la hotte encastrée est nécessaire pour garantir que rien ne nuit à l'ouverture et à la fermeture de la cheminée d'évacuation. Il doit y avoir un écart de 0,79mm - 1,59mm (1/32 po à 1/16 po) entre l'arrière de la surface de cuisson et l'avant du couvercle de la hotte.

## Fixation des capots sur la hotte



1. Retirez le film protecteur du ruban.
2. Nettoyez les capots d'extrémité (intérieur) à alcool à friction ou alcool isopropylique.
3. Appuyez les capots sur les supports.
4. Vérifiez le fonctionnement de la hotte.



# ASSISTANCE BOSCH®

## Avant d'appeler le service à la clientèle

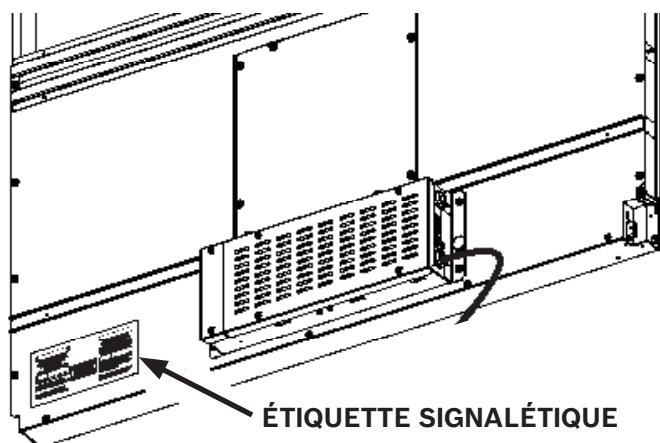
Consultez le Manuel d'utilisation et d'entretien pour le dépannage. Reportez-vous à la « Déclaration de garantie limitée du produit ».

Pour joindre un représentant du service d'assistance, voyez nos coordonnées sur la couverture du manuel. Veuillez avoir sous la main les renseignements imprimés sur l'étiquette signalétique du produit au moment d'appeler.

## Étiquette signalétique

L'étiquette signalétique indique les numéros de modèle et de série. Consultez la plaque signalétique de l'appareil lors de toute demande d'assistance.

Cette plaque se trouve du côté avant inférieur gauche du boîtier de la hotte.



Pour éviter d'avoir à rechercher chaque fois ces renseignements au moment d'appeler, vous pouvez noter les quatre renseignements dans l'espace ci-dessous.

Numéro de modèle	
Numéro de série	
Date d'achat	
Numéro du service à la clientèle	

Conservez votre facture ou contrat de dépôt pour valider la garantie en cas de demande de service.

## Service

Nous sommes conscients que vous avez fait un investissement considérable dans votre cuisine. Nous nous engageons à vous aider à profiter de nombreuses années de cuisine créative avec votre appareil.

Pour toute question dans l'éventualité peu probable où votre appareil Bosch® nécessite une intervention, n'hésitez pas à communiquer avec notre service à la clientèle. Notre équipe d'assistance est prête à vous aider.

**États-Unis** 800-944-2904

[www.bosch-home.com/us/support](http://www.bosch-home.com/us/support)

**Canada** 800-944-2904 [www.bosch-home.ca/fr/support](http://www.bosch-home.ca/fr/support)

## Pièces et accessoires

Vous pouvez vous procurer des pièces, filtres, détartrants, nettoyants pour acier inoxydable et plus à la boutique électronique Bosch® eShop ou par téléphone.

**États-Unis** [www.bosch-home.com/us/store](http://www.bosch-home.com/us/store)

**Canada** Marcone 800-482-6022 ou

Pièces fiables 800-941-9217

# TABLA DE CONTENIDO

<b>ACERCA DE ESTE MANUAL</b> .....	43
Asegúrese de observar todas las advertencias y precauciones de la lista .....	43
<b>INSTRUCCIONES IMPORTANTES DE SEGURIDAD</b> .....	44-47
Notas generales .....	44
Instalación y mantenimiento adecuados .....	45
Seguridad ante incendios .....	46
Seguridad con los niños .....	47
Advertencias de la propuesta 65 del estado de California .....	47
Protección del medio ambiente .....	47
<b>ANTES DE COMENZAR</b> .....	48
Revisión de la instalación .....	48
Herramientas necesarias.....	48
Piezas suministradas.....	48
<b>PLANEE LA INSTALACIÓN</b> .....	49
Seleccione la opción de conductos .....	49
Preparación de los conductos .....	49
Planee los gabinetes .....	49
<b>CUADRO DE EQUIVALENCIA DE CONDUCTOS</b> .....	50
<b>DIMENSIONES DEL SISTEMA</b> .....	51
<b>ACCESORIOS</b> .....	52
<b>INSTALACIÓN</b> .....	53-60
Tome medidas .....	53
Corte la abertura de la cubierta.....	53
Instalación con estufas .....	53
Prepare la cubierta del tiro descendente.....	54
Opcional: El panel eléctrico se puede montar en un sitio remoto .....	54
A - Instalación usando un ventilador flexible fijo al tiro descendente .....	55
B - Instalación usando un ventilador flexible o remoto - montado en un sitio remoto - conductos a través de la abertura del panel frontal .....	56
C - Instalación usando un ventilador flexible o remoto - montado en un sitio remoto - conductos a través del lado izquierdo, derecho o parte posterior .....	56
Recorte la abertura para el conducto en el gabinete .....	56-57

Monte el tiro descendente en el gabinete.....	58
Solo estufas de gas: Instale el juego para sellar estufas de gas .....	58
Instale una tapa de techo, una tapa de pared o un ventilador remoto.....	58
Conecte los conductos .....	58
Instale el panel eléctrico .....	58
Planee el cableado de la casa.....	58
Instale el cableado eléctrico .....	59
Instale el electrodoméstico para cocinar .....	60
Fije las tapas de extremo en el tiro descendente .....	60
<b>ATENCIÓN DE BOSCH®</b> .....	61

**Puede encontrar información adicional sobre productos, accesorios, piezas de repuesto y servicios en**  
**[www.bosch-home.com](http://www.bosch-home.com) y en la tienda por Internet**  
**[www.bosch-home.com/us/store](http://www.bosch-home.com/us/store)**

---

## ACERCA DE ESTE MANUAL

**Asegúrese de observar todas las advertencias y precauciones de la lista.**

Busque los triángulos con signos de admiración dentro.

---

**▲ ADVERTENCIA**

Esto indica que podría producirse la muerte o lesiones graves como resultado de no hacer caso de esta advertencia.

---

---

**▲ PRECAUCIÓN**

Esto indica que podrían producirse lesiones leves o moderadas como resultado de no hacer caso de esta advertencia.

---

**AVISO:** Esto indica que podrían producirse daños al electrodoméstico o a la propiedad como resultado de no hacer caso de este aviso.

**NOTA:** Esto le alerta ante información o consejos importantes.

Ponga atención especial a las instrucciones importantes en la sección "Seguridad".

---

# INSTRUCCIONES IMPORTANTES DE SEGURIDAD

## LEA Y CONSERVE ESTAS INSTRUCCIONES

### Notas generales

Examine el electrodoméstico antes de desempacarlo.  
En caso de daños durante el transporte, no lo conecte.

---

#### ADVERTENCIA

PARA REDUCIR EL RIESGO DE INCENDIOS, DESCARGAS ELÉCTRICAS O LESIONES PERSONALES, SIGA LAS SIGUIENTES PRECAUCIONES:

- Use la unidad solo de la manera indicada por el fabricante. Si tiene preguntas, comuníquese con el fabricante.
- Antes de dar servicio a la unidad o de limpiarla, interrumpa el suministro eléctrico en el panel de servicio y bloquee los medios de desconexión del servicio para evitar que la electricidad se reanude accidentalmente.
- Cuando no sea posible bloquear los medios de desconexión del servicio, fije firmemente una señal de advertencia (como una etiqueta) en un lugar visible del panel de servicio.

---

#### ADVERTENCIA

ADVERTENCIA: PARA REDUCIR EL RIESGO DE INCENDIOS, DESCARGAS ELÉCTRICAS O LESIONES PERSONALES OBSERVE LAS SIGUIENTES PRECAUCIONES:

- Una o más personas calificadas deben realizar el trabajo de instalación y el cableado eléctrico siguiendo todos los códigos y normas correspondientes, incluso los códigos y normas de construcción específicos para incendios.
- Con el fin de evitar la contracorriente se necesita suficiente aire para que se lleve a cabo una combustión adecuada y la extracción de los gases a través del tubo de humos (chimenea) del equipo quemador de combustible. Siga las directrices y las normas de seguridad del fabricante del equipo de calefacción, como las publicadas por la Asociación Nacional de Protección contra Incendios (National Fire Protection Association, NFPA), la Sociedad Americana de Ingenieros de Calefacción, Refrigeración y Aire Acondicionado (American Society for Heating, Refrigeration and Air Conditioning Engineers, ASHRAE) y las autoridades de los códigos locales.
- Al cortar o perforar a través de la pared o del cielo raso, tenga cuidado de no dañar el cableado eléctrico ni otros servicios ocultos.
- Los ventiladores con conductos siempre deben ventearse hacia el exterior.

---

**INSTALADOR:** DEJE ESTAS INSTRUCCIONES CON EL ELECTRODOMÉSTICO DESPUÉS DE TERMINAR CON LA INSTALACIÓN.

---

---

**PROPIETARIO:** GUARDE PARA EL USO DEL INSPECTOR LOCAL.

---

---

#### ADVERTENCIA

Su nuevo electrodoméstico ha sido diseñado para ser seguro y confiable cuando es bien cuidado. Lea detenidamente todas las instrucciones antes de usarlo. Estas precauciones reducirán el riesgo de quemaduras, descarga eléctrica, incendio y lesiones a personas. Al usar electrodomésticos de cocina, deben seguirse las precauciones básicas de seguridad, incluyendo las de las páginas siguientes.

---

---

# INSTRUCCIONES IMPORTANTES DE SEGURIDAD

## LEA Y CONSERVE ESTAS INSTRUCCIONES

### Instalación y mantenimiento adecuados

---

#### ADVERTENCIA

---

Retire toda la cinta y el empaque antes de usar el electrodoméstico. Destruya el empaque después de desempacar el electrodoméstico. Nunca permita que los niños jueguen con el material de empaque.

---

**INSTALADOR:** Muestre al propietario la ubicación del disyuntor o fusible. Márquelo para que sea una referencia fácil.

Un técnico calificado debe instalar y conectar a tierra este electrodoméstico. Conecte solo a un tomacorriente con la conexión adecuada a tierra. Consulte los detalles en las instrucciones de instalación.

Este electrodoméstico ha sido diseñado solo para uso doméstico familiar normal. No está aprobado para usarse en exteriores. Vea la declaración de la garantía limitada del producto en la guía de uso y cuidado. Si tiene preguntas, comuníquese con el fabricante.

No guarde ni use productos químicos corrosivos, vapores, o productos inflamables o que no sean alimentos en o cerca de este electrodoméstico. Está diseñado específicamente para usarlo al calentar o cocinar alimentos. El uso de productos químicos corrosivos al calentar o limpiar dañará el electrodoméstico y podría ocasionar lesiones.

No opere este electrodoméstico si no funciona adecuadamente o si se ha dañado. Comuníquese con un proveedor de servicio autorizado.

No repare ni reemplace ninguna pieza del electrodoméstico a menos que así se recomiende específicamente en este manual. Refiera todo el servicio a un centro de servicio autorizado de fábrica.

---

#### ADVERTENCIA

---

Asegúrese de que el electrodoméstico y las luces estén fríos y que se haya desactivado la energía eléctrica antes de reemplazar el LED (si está equipado). De no hacerlo podría tener como resultado una descarga eléctrica o quemaduras.

---

#### PRECAUCIÓN

---

La grasa que queda sobre los filtros se puede derretir, moverse hacia el ventilador e incendiarse.

---

#### ADVERTENCIA

---

Las superficies ocultas pueden tener bordes afilados. Tenga cuidado al meter la mano detrás o debajo del electrodoméstico.

---

#### ADVERTENCIA

---

La unidad es pesada, y requiere por lo menos dos personas o el uso del equipo adecuado para moverla e instalarla.

---

#### ADVERTENCIA

---

Ate el cabello largo para que no se suelte, y no use ropa suelta o prendas colgantes, como corbatas, bufandas, joyas o mangas colgantes.

---

#### ADVERTENCIA

---

Cuando la campana se opera en modo de extracción de aire al mismo tiempo que otro electrodoméstico que usa la misma chimenea (como calentadores de gas, aceite o carbón, calentadores de flujo continuo, calentadores de agua), debe tener cuidado de asegurar que haya un suministro adecuado de aire fresco, que será necesario para la combustión en el electrodoméstico.

Esto se puede lograr si el aire de la combustión puede fluir a través de aberturas que no se cierren con seguro, es decir, puertas, ventanas y por medio de la caja en la pared de admisión/escape de aire, o por otros medios técnicos, como entrecierre recíproco, etc.

---

#### ADVERTENCIA

---

Evite el envenenamiento por monóxido de carbono: suministre el aire de admisión adecuado de tal manera que los gases de combustión no se devuelvan a la habitación. Una caja de pared para admisión/escape de aire por sí misma no es garantía de que no se superará el valor de limitación.

**Nota:** Cuando evalúe el requisito general, se debe tomar en cuenta el sistema de ventilación combinado para toda la vivienda. Esta regla no se aplica al uso de electrodomésticos para cocinar, como estufas y hornos.

---

#### ADVERTENCIA

---

Antes de instalar, y para evitar un riesgo de descarga eléctrica, interrumpa el suministro eléctrico en el panel de servicio y bloquee el panel para evitar que se active accidentalmente la electricidad.

---

# INSTRUCCIONES IMPORTANTES DE SEGURIDAD

## LEA Y CONSERVE ESTAS INSTRUCCIONES

### Seguridad ante incendios

---

#### ADVERTENCIA

Use este electrodoméstico únicamente para lo que está diseñado, tal como se describe en este manual.

Siempre tenga cerca de la cocina un detector de humos en funcionamiento. En caso de que la ropa o el cabello se incendie, déjese caer de inmediato y ruede, para apagar las llamas.

Tenga cerca del electrodoméstico un extintor de incendios adecuado disponible, muy visible y fácilmente accesible.

Apague con bicarbonato de sodio las llamas de incendios de madera que no sean producidos por grasa. Nunca use agua sobre incendios que surjan al cocinar.

---

#### ADVERTENCIA

PARA REDUCIR EL RIESGO DE LESIONES A LAS PERSONAS EN CASO DE UN INCENDIO PRODUCIDO POR GRASA EN UNA ESTUFA, OBSERVE LO SIGUIENTE:<sup>a</sup>

- a. APAGUE LAS LLAMAS con una tapa de ajuste exacto, una charola para galletas o una bandeja de metal, y después apague el quemador. PROCEDA CON CUIDADO PARA EVITAR QUEMADURAS. Si las llamas no se apagan inmediatamente, EVACUE EL ÁREA Y LLAME A LOS BOMBEROS.
- b. NUNCA LEVANTE UNA CACEROLA INCENDIADA, se puede quemar.
- c. NO USE AGUA, ni trapos o toallas de cocina mojados; puede producirse una explosión violenta de vapor.
- d. Use un extintor SOLO si:
  - Sabe que el extintor es de Clase ABC y sabe cómo hacerlo funcionar.
  - El incendio es pequeño y está confinado al área en la que se inició.
  - Se está llamando al Departamento de Bomberos.
  - Puede combatir el incendio teniendo la espalda orientada hacia una salida.

<sup>a</sup> Basado en "Kitchen Firesafety Tips" (Sugerencias para la seguridad contra incendios en la cocina) publicado por NFPA.

---

Siempre que sea posible, no accione el sistema de ventilación en caso de incendio en una estufa. Sin embargo, no atraviese el fuego para apagarlo.

Selle adecuadamente los puntos de conexión de los conductos.

- Los conductos deben ventearse hacia el exterior, no hacia espacios de ático, por ejemplo, a menos que se utilice el 'juego de recirculación sin conductos' que está disponible.

---

#### ADVERTENCIA

##### RIESGO DE INCENDIO

Cuando los quemadores de gas funcionan sin tener utensilios de cocina sobre ellos, pueden acumular mucho calor. Un electrodoméstico de ventilación instalado sobre el quemador podría dañarse o incendiarse. Solo accione los quemadores de gas con utensilios de cocina sobre ellos.

---

#### ADVERTENCIA

##### RIESGO DE INCENDIO

El aceite y la grasa calientes se incendian rápido. Nunca deje aceite y grasa calientes sin supervisión. Nunca extinga un incendio con agua. Apague el quemador correspondiente. Sofoque las llamas con cuidado con una tapa, una manta para incendios o algo similar.

---

#### ADVERTENCIA

##### RIESGO DE INCENDIO

Los depósitos de grasa en el filtro de grasa se pueden incendiar. Limpie el filtro de grasa por lo menos cada dos meses o con la frecuencia que sea necesaria. Nunca opere el electrodoméstico sin el filtro de grasa.

---

#### ADVERTENCIA

##### RIESGO DE INCENDIO

Los depósitos de grasa en el filtro de grasa se pueden incendiar. Nunca trabaje con una llama abierta cerca del electrodoméstico (por ejemplo, al flamear). Instale la unidad cerca de un electrodoméstico que produzca calor para combustibles sólidos (por ejemplo, madera o carbón) únicamente si hubiera una cubierta cerrada que no se quita. No debe haber chispas volando.

---

#### ADVERTENCIA

##### RIESGO DE INCENDIO

Utilice solo conductos metálicos.

---

#### ADVERTENCIA

##### RIESGO DE QUEMADURAS

Las piezas accesibles pueden calentarse durante la operación. Nunca toque las piezas calientes. Mantenga lejos a los niños.

---

#### PRECAUCIÓN

Se recomienda usar guantes y manga larga para proteger manos y antebrazos de abrasión y posibles rasguños durante el proceso de instalación.

---

---

# INSTRUCCIONES IMPORTANTES DE SEGURIDAD

## LEA Y CONSERVE ESTAS INSTRUCCIONES

### Seguridad con los niños

Cuando los niños crecen lo suficiente como para usar el electrodoméstico, es responsabilidad de los padres o tutores legales asegurarse de que personas calificadas los instruyan en prácticas seguras.

No permita que nadie trepe, se pare, se incline, se sienta o se cuelgue de ninguna parte de un electrodoméstico. Esto puede dañar el electrodoméstico o causar lesiones.

---

#### ADVERTENCIA

Asegúrese de que todo el electrodoméstico (incluidos los filtros de grasa y bombillas de luz, si corresponde), se haya enfriado y la grasa se haya solidificado antes de intentar limpiar cualquier parte del electrodoméstico.

No use limpiadores de vapor para limpiar el electrodoméstico.

### Advertencias de la Propuesta 65 del estado de California

---

#### ADVERTENCIA

Este producto puede contener un químico que el Estado de California reconoce como potencialmente cancerígeno o causante de daños reproductivos. Por tanto, su producto debe llevar en su embalaje la siguiente etiqueta de conformidad con la legislación de California:

ADVERTENCIA EN VIRTUD DE LA PROPOSICIÓN 65 DEL ESTADO DE CALIFORNIA:



**ADVERTENCIA**

Cáncer y daño reproductivo - [www.P65Warnings.ca.gov](http://www.P65Warnings.ca.gov)

### Protección del medio ambiente

Desempaque el electrodoméstico y deseche el empaque, de acuerdo con los requisitos ambientales.

---

#### AVISO

Riesgo de daños debidos a la corrosión. Siempre encienda el electrodoméstico cuando cocine, para evitar la acumulación de condensación. La condensación puede conducir a daños por corrosión.

Riesgo de daños debido a la entrada de humedad en los circuitos electrónicos. Nunca limpie los controles del operador con un paño húmedo.

Puede dañarse la superficie por una limpieza incorrecta. Limpie las superficies de acero inoxidable solo en la dirección del grano. No use limpiadores de acero inoxidable en los controles del operador. Nunca use agentes de limpieza fuertes o abrasivos, pues pueden dañar la superficie.

Riesgo de daños por el contraflujo de la condensación. Instale un ventilador de escape en una pendiente ligeramente descendente, lejos del electrodoméstico (pendiente de 1°).

# ANTES DE COMENZAR

## Revisión de la instalación

Este sistema de corriente descendente se puede usar para extraer los subproductos de la cocción como el calor, el vapor y el humo que pueden crearse al cocinar con estufas de gas o eléctricas. Gracias a su diseño versátil, hay cinco (5) opciones básicas de descarga: izquierda, derecha, trasera, frontal y recirculación. Es importante que primero planee su instalación. Tal vez sea necesario comprar accesorios adicionales para completar la instalación.

Puede montarse en una isla, una península o en un sitio de pared convencional. El ventilador (se compra por separado) y el panel eléctrico se pueden montar en la unidad de tiro descendente, dentro del gabinete o en una ubicación remota que sea conveniente.

Esta unidad se puede instalar fácilmente siguiendo estos pasos básicos:



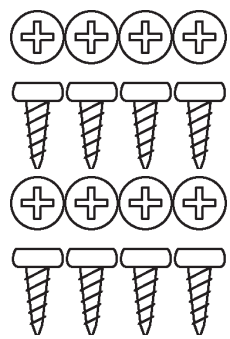
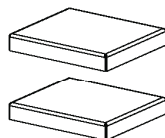
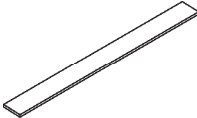
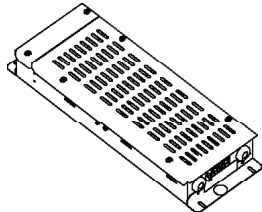
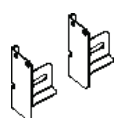
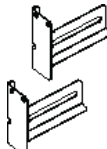
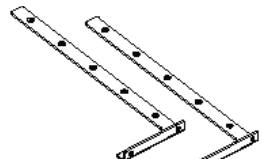


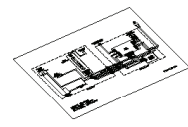
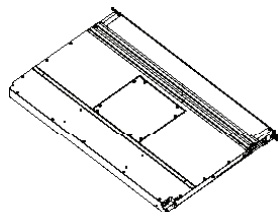
- Planee la instalación.
- Haga la abertura en la cubierta del gabinete.
- Prepare la cubierta del tiro descendente.
- Recorte la abertura del gabinete para la descarga.
- Monte el tiro descendente en el gabinete.
- Instale el juego para sellar la estufa de gas, si corresponde.
- Conecte los conductos e instale el ventilador.
- Instale el panel eléctrico del tiro descendente, si está en un sitio remoto.
- Instale el electrodoméstico de cocina.
- Instale las tapas de extremo en el tiro descendente.
- Verifique el funcionamiento.

**Nota:** El flujo de aire de alto nivel de este electrodoméstico puede afectar la llama de gas en algunos tipos de estufas. Esto es NORMAL y no causará daño, pero se puede corregir reduciendo la velocidad del ventilador.

## Herramientas necesarias

- Cinta de medir
- Lápiz
- Destornillador Phillips #2
- Destornillador para tuercas - 11/32 pulg. (8.7mm), 3/8 pulg. (9.5mm), 7/16 pulg. (11.1mm)
- Llave de estrella
- Nivel de burbuja
- Cinta de aluminio (NO use cinta de aislar)
- Segueta
- Tijeras para chapa
- Guantes de trabajo

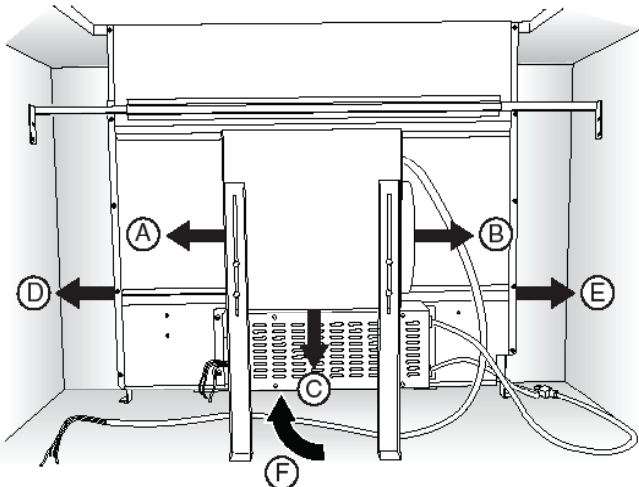
## Piezas suministradas

Una bolsa de piezas que contiene:		
 2 tornillos de cabeza hexagonal, 1/4-20 x 0.50 (12.7mm)	 2 tornillos Phillips, #8-18 x 0.375 (9.5mm)	 8 tornillos para madera Phillips de cabeza redonda #10 x 0.50 (12.7mm)
 2 molduras para tapa de extremo	 1 plantilla de instalación de plástico (vea la pág. 50)	 1 panel eléctrico
 2 patas de apoyo de 2 pulg. (51mm)	 2 patas de apoyo de 4 pulg. (102mm)	 2 soportes de montaje superior
 Instrucciones de instalación	 Guía de uso y cuidado	 Diagrama de cableado
 Cubierta del ventilador de tiro descendente		



# PLANEE LA INSTALACIÓN

## Seleccione la opción de conductos



Las 5 conexiones de descarga básicas, izquierda, derecha, trasera, frontal y recirculación se pueden lograr de A a F con las piezas opcionales enumeradas.

1. El sistema del ventilador de tiro descendente está diseñado para usarse con conductos redondos de 8 pulg. (203mm) con un ventilador flexible o conductos redondos de 6 pulg. (152mm) con un ventilador en línea o remoto. (Los ventiladores se compran por separado.) Se tienen disponibles seis (6) conexiones de descarga diferentes - A a F, a continuación:

- A = Conducto redondo de 8 pulg. (203mm), de descarga izquierda por el ventilador flexible
- B = Conducto redondo de 8 pulg. (203mm), de descarga derecha por el ventilador flexible.
- C = Conducto redondo de 8 pulg. (203mm), de descarga descendente por el ventilador flexible (el panel eléctrico se puede montar de forma remota)
- D = 1-7/8 pulg. x 19 pulg. (48mm x 483mm), de descarga izquierda desde la cubierta al ventilador remoto o ventilador flexible en una ubicación remota. Utilice una transición redonda de 1-7/8 pulg. x 19 a 6 o 8 pulg. (48mm x 483mm a 152mm o 203mm), según corresponda.
- E = 1-7/8 pulg. x 19 pulg. (48mm x 483mm), de descarga derecha desde la cubierta al ventilador remoto o ventilador flexible en una ubicación remota. Utilice una transición redonda de 1-7/8 pulg. x 19 a 6 o 8 pulg. (48mm x 483mm a 152mm o 203mm), según corresponda.
- F = 1-7/8 pulg. x 19 pulg. (48mm x 483mm), de descarga trasera desde la cubierta al ventilador remoto o ventilador flexible en una ubicación remota. Utilice una transición redonda de 1-7/8 pulg. x 19 a 6 o 8 pulg. (48mm x 483mm a 152mm o 203mm), según corresponda.

2. Para obtener el mejor desempeño: Seleccione el sistema de conductos de la longitud más corta y un número mínimo de codos y transiciones. Revise el área de la instalación para asegurarse de que no haya interferencia con vigas del piso, montantes de la pared, cableado eléctrico o tuberías.

**Nota:** El fabricante no asume responsabilidad alguna por quejas de desempeño que se atribuyan a la sección de conductos.

- El dispositivo alcanza su desempeño óptimo por medio de un conducto de aire de escape corto y recto y con un diámetro de tubo tan grande como sea posible.
- El desempeño óptimo de extracción no se obtiene y el ruido del ventilador se aumenta si los conductos de aire de extracción son largos y burdos y si hay un gran número de giros de conductos o diámetros menores de 6 pulg. (152mm).
- Los tubos o mangueras para tender la línea de aire de extracción deben estar hechos de materiales no combustibles.
- Selle adecuadamente los puntos de conexión de los conductos.
- Los conductos deben ventearse hacia el exterior, no hacia espacios de ático, por ejemplo, a menos que se utilice el 'juego de recirculación sin conductos' que está disponible.

## Preparación de los conductos

### RECOMENDACIONES PARA LOS CONDUCTOS

El desempeño adecuado depende de los conductos adecuados. Los códigos de construcción locales podrían requerir que se usen sistemas de aire de reposición cuando se usen sistemas de ventilación con conductos mayores que los pies cúbicos por minuto (CFM) especificados en el movimiento del aire. Los CFM especificados varían de un lugar a otro. El propietario y el instalador tienen la responsabilidad de determinar si se aplican requisitos y/o normas adicionales para instalaciones específicas.

**NO UTILICE CONDUCTOS FLEXIBLES;** generan contrapresión/turbulencia de aire y reducen el desempeño.

Siempre instale una cubierta de ventilación metálica en el sitio donde el conducto salga de la casa.

**CLIMA FRÍO** las instalaciones deben tener instalado un regulador adicional de contracorriente para minimizar la contracorriente de aire frío, así como una ruptura térmica no metálica para minimizar la conducción de las temperaturas exteriores como parte de los conductos.

El regulador debe estar por el lado del aire frío de la ruptura térmica. La ruptura debe estar tan cerca como sea posible de donde entra el conducto a la parte con calefacción de la casa.

**AIRE DE REPOSICIÓN:** Los códigos de construcción locales podrían requerir que se usen sistemas de aire de reposición cuando se usen sistemas de ventilación con conductos mayores que los pies cúbicos por minuto (CFM) especificados en el movimiento del aire. Los CFM especificados varían de un lugar a otro. El propietario y el instalador tienen la responsabilidad de determinar si se aplican requisitos y/o normas adicionales para instalaciones específicas.

Por razones de seguridad, los conductos deben ventearse directamente al exterior (no hacia un ático, por debajo de la casa, hacia la cochera o hacia algún espacio cerrado). La unidad no se puede usar en conjunto con una unidad de recirculación.

BOSCH® recomienda que no se superen los 50 pies (15 m) de conducto equivalente.

## Planee los gabinetes

Para extracción a la izquierda, a la derecha o a la parte posterior:

Deje al menos 18 pulg. (457mm) para el codo y la transición o el ventilador.

### Para extracción a la izquierda o derecha:

Se recomienda un gabinete de 30 pulg. (762mm) de profundidad para alinearlos adecuadamente con el ventilador flexible. El ventilador flexible se puede montar en la pared posterior del gabinete o en una plataforma/marco (no incluidos) en la base del piso del gabinete. (Consulte las instrucciones del ventilador flexible.)




















Se requieren profundidades de gabinete de 24 pulg. a 30 pulg. (610mm a 762mm), dependiendo del tipo de electrodoméstico.

Para algunas aplicaciones, será necesario mover las conexiones de gas o electricidad o encaminarlas alrededor de la unidad de tiro descendente.

Para instalaciones en estufas de gas, asegúrese de tener una abertura mínima de 27 pulgadas cuadradas (174 cm<sup>2</sup>) en el espacio para los pies y la base del gabinete. La ventilación inadecuada del gabinete debajo de la estufa podría ocasionar que se apague la llama cuando funcione el ventilador a mayor velocidad.

**Nota:** Para aplicaciones de gas, se debe comprar un juego de sellado para la estufa. El juego incluye cubiertas para los orificios para el espacio para los pies y la base del gabinete, así como un sello para molduras para la estufa.

# CUADRO DE EQUIVALENCIA DE CONDUCTOS

Pieza de conducto	Tamaño (pulg./mm)	Longitud equivalente (pies/m)	Pieza de conducto	Tamaño (pulg./mm)	Longitud equivalente (pies/m)
 Liso, recto	6 (152)	1.2 (0.37)	 3/4 pulg. x 10 pulg. (83mm x 254mm) a codo redondo de 90°	6 (152)	10 (3)
	8 (203)	0.7 (0.21)			
	10 (254)	0.6 (0.18)			
 Recto de 3/4 pulg. x 10 pulg. (83mm x 254mm)	N/A	1 (0.3)	 Codo Inverso central de 3/4 pulg. x 10 pulg. (83mm x 254mm), izquierdo	N/A	15 (4.6)
 Recto de 3/4 pulg. x 14 pulg. (83mm x 356mm)	N/A	0.7 (0.21)	 Codo Inverso central de 3/4 pulg. x 10 pulg. (83mm x 254mm), derecho	N/A	25 (7.6)
 Codo de 90°, redondo	6 (152)	12 (3.7)	 Codo Inverso izquierdo de 3/4 pulg. x 10 pulg. (83mm x 254mm)	N/A	15 (4.6)
	8 (203)	6 (1.8)			
	10 (254)	5 (1.5)			
 Codo de 45°, redondo	6 (152)	5 (1.5)	 Codo Inverso derecho de 3/4 pulg. x 10 pulg. (83mm x 254mm)	N/A	25 (7.6)
	8 (203)	3 (0.9)			
	10 (254)	2 (0.6)			
 Codo de 90° de 3/4 pulg. x 10 pulg. (83mm x 254mm), redondo	N/A	5 (1.5)	 Tapa redonda de pared	6 (152)	2 (0.6)
 Codo de 45° de 3/4 pulg. x 10 pulg. (83mm x 254mm), redondo	N/A	15 (4.6)		8 (203)	2 (0.6)
 Codo plano de 3/4 pulg. x 10 pulg. (83mm x 254mm)	N/A	20 (6.1)		10 (254)	2 (0.6)
 3/4 pulg. x 10 pulg. (83mm x 254mm) a redondo	6 (152)	5 (1.5)	 Tapa redonda de techo	6 (152)	2 (0.6)
	8 (203)	2 (0.6)		8 (203)	2 (0.6)
 Redondo a codo de 90° de 3/4 pulg. x 10 pulg. (83mm x 254mm)	6 (152)	10 (3)		10 (254)	2 (0.6)
			 Flexible de 2 pulg. (51mm) de largo, 3/4 pulg. x 10 pulg. (83mm x 254mm)	N/A	20 (6.1)
			 Tapa de techo y apagador 3/4 pulg. x 10 pulg. (83mm x 254mm)	N/A	2 (0.6)

**NOTA:** Estas piezas de instalación utilizadas usualmente se pueden comprar en una ferretería local.

**Mediciones en pulgadas (milímetros).**



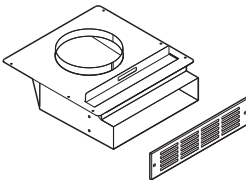
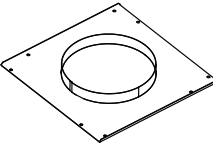
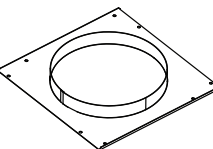
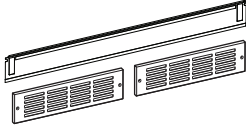
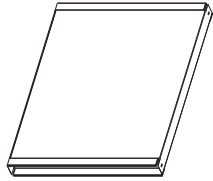
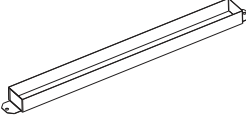
# ACCESORIOS (se compran por separado)

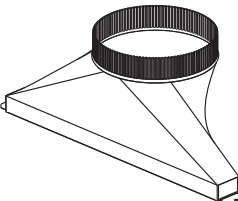
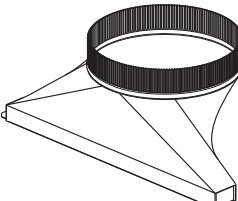
## Ventilador flexible

Bosch DHG602DUC

## Ventiladores en línea y remotos

Modelos Bosch DHG6023RUC, DHG6015NUC

MODELO	DESCRIPCIÓN
 <p><b>HDDREC5UC</b> <b>HDDFILTUC</b> (filtro de reemplazo)</p>	<p>Juego de recirculación sin conductos Se utiliza en aplicaciones donde no es factible usar conductos o no están disponibles. Monte sobre el zócalo o la base de un gabinete y fije directamente al ventilador flexible DHG602DUC usando un conducto redondo de 8 pulg. (203mm). El juego se puede girar para que la extracción no quede directamente en sus pies. Incluye la placa de cubierta decorativa.</p>
 <p><b>HDDFTRAN6</b></p>	<p>Placa de empalme - redonda de 6 pulg. (152mm) Se usa para aplicaciones donde el conducto redondo o codo de 6 pulg. (152mm) se fija al frente de una caja de ventilación (instalación de ventilador en línea o remoto).</p>
 <p><b>HDDFTRAN8</b></p>	<p>Placa de empalme - redonda de 8 pulg. (203mm) Se usa para aplicaciones donde el conducto redondo o codo de 8 pulg. (203mm) se fija al frente de una caja de ventilación (instalación de ventilador en línea DHG602DUC).</p>
 <p><b>HDD0RSP</b> <b>HDD6RSP</b></p>	<p>Juego de sellos para estufa de gas - 30 y 36 pulg. (762mm y 914mm). Se utiliza para generar un sello entre la estufa de gas y el tiro descendente. También incluye placas para cubrir los orificios del gabinete. El juego incluye dos rejillas, usted tal vez solo necesita una para su instalación específica.</p>
 <p><b>HDD2RECTD</b></p>	<p>Conducto rectangular - secciones de 2 pies (0.6m) (1-7/8 pulg. x 19 pulg.) (48mm x 483mm) fabricadas en acero galvanizado. Las secciones de 2 pies (0.6m) se pueden conectar juntas.</p>
 <p><b>HDDSTRAN2</b></p>	<p>Adaptador rectangular para 1-7/8 pulg. x 19 pulg. (48mm x 483mm) Se utiliza para conectar un conducto rectangular de 1-7/8 pulg. x 19 pulg. (48mm x 483mm) directamente al tiro descendente cuando se utiliza una extracción lateral o trasera.</p>

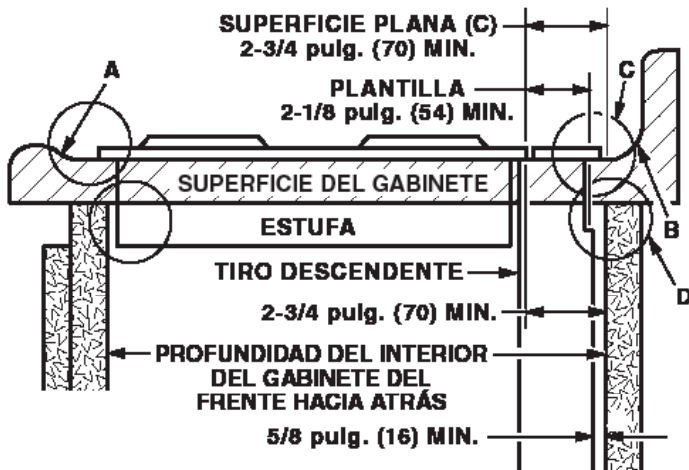
MODELO	DESCRIPCIÓN
 <p><b>HDDSTRAN6</b></p>	<p>Transición redonda de 1-7/8 pulg. x 19 pulg. a 6 pulg. (48mm x 483mm a 152mm) Transición de rectangular a redonda de 6 pulg. (152mm) para extracción izquierda, derecha o trasera utilizando el ventilador flexible Modelo DHG602DUC. Se puede fijar a una unidad de tiro descendente o a un conducto rectangular (HDD2RECTD).</p>
 <p><b>HDDSTRAN8</b></p>	<p>Transición redonda de 1-7/8 pulg. x 19 pulg. a 8 pulg. (48mm x 483mm a 203mm) Transición de rectangular a redonda de 8 pulg. (203mm) para extracción izquierda, derecha o trasera utilizando un ventilador en línea o remoto. Se puede fijar a una unidad de tiro descendente o a un conducto rectangular (HDD2RECTD).</p>

# INSTALACIÓN

## Tome medidas

1. Consulte las instrucciones de instalación de la estufa para ver las dimensiones de la estufa, el recorte en la cubierta y los requerimientos del gabinete. Sin embargo, se recomienda usar gabinetes de mayor tamaño para facilitar la instalación. Los diseños de isla personalizados necesitan tomar en cuenta los gabinetes más profundos, en especial cuando se monta el ventilador detrás del tiro descendente. También debe planear una puerta de acceso.

Preste atención especial a las áreas de posible interferencia que se indican a continuación. Es posible que una cubierta con (A) un reborde elevado o (B) un protector contra salpicaduras no cuente con la suficiente superficie plana para realizar una instalación adecuada. Note que la cubierta necesita tener una superficie plana mínima de 2-3/4 pulg. (70mm) detrás de la estufa (C), y que se requiere una distancia mínima de 2-3/4 pulg. (70mm) entre el borde posterior de la estufa y el interior de la parte posterior del gabinete (D).



## Corte la abertura de la cubierta

1. Trace y haga el recorte para la estufa lo suficientemente HACIA DELANTE como para que el tiro descendente quepa detrás de la estufa.
2. Coloque la estufa en su lugar y deslícela tan adelante como sea posible sin exponer ninguna separación. Céntrela y cuádrela con los bordes de la cubierta.



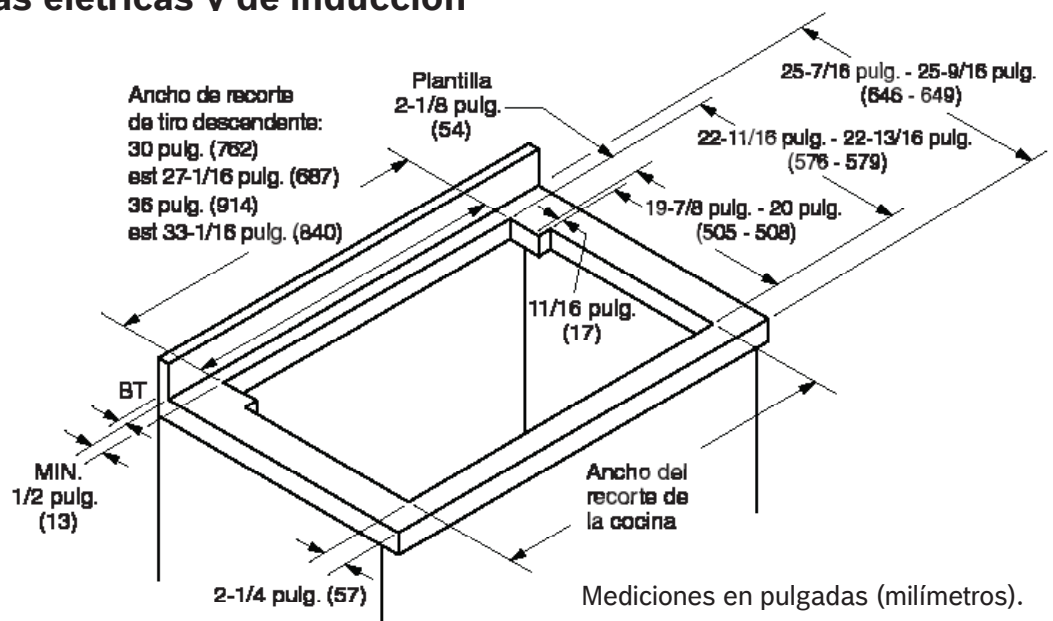
Plantilla contra el borde posterior de la estufa.

3. Coloque la plantilla de plástico contra el reborde posterior de la estufa. Centre la plantilla. Trace alrededor de la plantilla para marcar la abertura del tiro descendente.
4. Quite la estufa de la cubierta.
5. Haga la abertura del tiro descendente. Tenga cuidado de no astillar los bordes de la cubierta.

## Instalación con estufas eléctricas v de inducción

La dimensión "BT" es el grosor del protector contra salpicaduras que genera una separación de 1/2 pulg. (13mm) entre la ventilación y dicho protector. Cualquier protector contra salpicaduras con un radio curvo donde se une con la cubierta va a requerir una separación adicional. Se pueden usar protectores contra salpicaduras más gruesos si se aumenta la profundidad de la cubierta y del gabinete.

Coloque la estufa en la abertura de la cubierta, de tal manera que el borde posterior de la estufa se empalme con el borde delantero del tiro descendente.

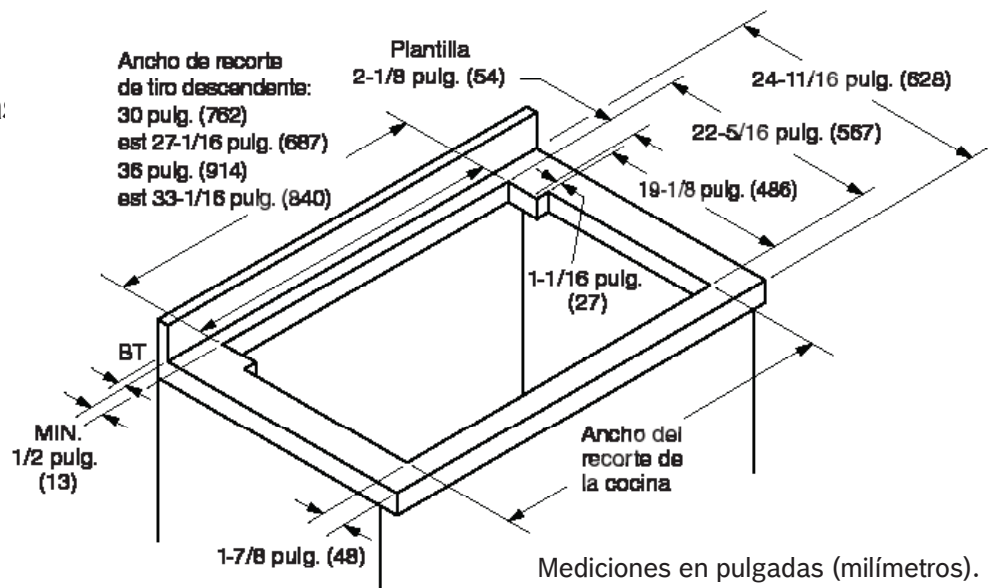


# INSTALACIÓN

## Instalación con estufas a gas

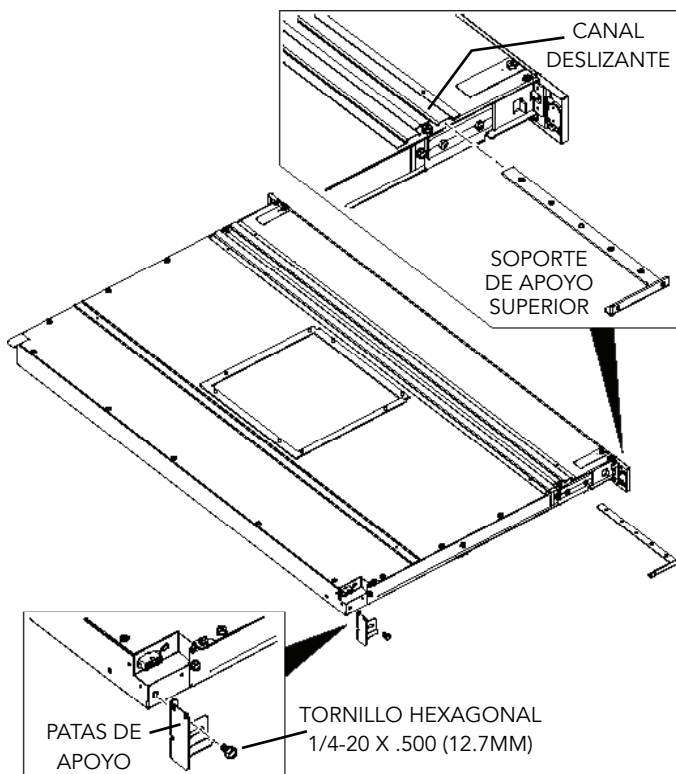
La dimensión "BT" es el grosor del protector contra salpicaduras que genera una separación de 1/2 pulg. (13mm) entre la ventilación y dicho protector. Cualquier protector contra salpicaduras con un radio curvo donde se une con la cubierta va a requerir una separación adicional. Se pueden usar protectores contra salpicaduras más gruesos si se aumenta la profundidad de la cubierta y del gabinete.

Coloque la estufa en la abertura de la cubierta, de tal manera que el borde posterior de la estufa se empalme con el borde delantero del tiro descendente.



## Prepare la cubierta del tiro descendente

1. Coloque el tiro descendente sobre su parte posterior en una mesa o una superficie de trabajo plana.



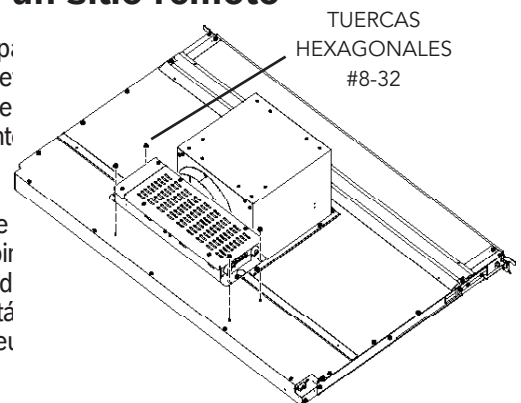
2. Deslice los soportes de apoyo superior en el canal de deslizamiento de la parte superior izquierda y derecha de la unidad.

Fije las patas de apoyo cortas o largas (dependiendo de la altura del gabinete) a ambos lados de la unidad con los tornillos hexagonales suministrados. No apriete totalmente los tornillos hexagonales en este momento.

Español 54

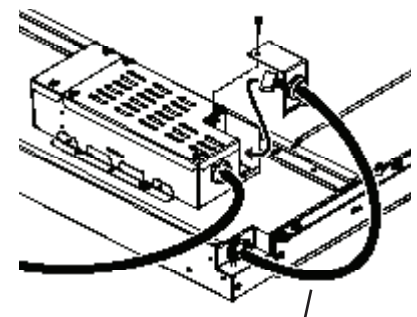
## Opcional: El panel eléctrico se puede montar en un sitio remoto

Por ejemplo: La parte inferior del gabinete tiene un cajón, fre al tiro descendente. Esto puede requerir que el panel eléctrico se monte en un gabinete adyacente. Si la parte inferior del ventilador está abajo, se debe retirar el panel eléctrico.



1. Retire las (4) tuercas hexagonales #8-32 y el panel eléctrico. No monte con las ranuras del panel eléctrico viendo hacia abajo.
2. La instalación de un panel eléctrico en una ubicación remota se puede completar después de conectar los conductos y de instalar el ventilador. Instale el panel eléctrico de conformidad con los códigos locales.

**Nota:** El cable de interconexión se puede desenchufar (como se muestra) si ayuda a encaminar los cables para instalar el panel eléctrico en una ubicación remota.



CABLE DE INTERCONEXIÓN (5 PIES (1.5 M) DE LARGO)

# INSTALACIÓN

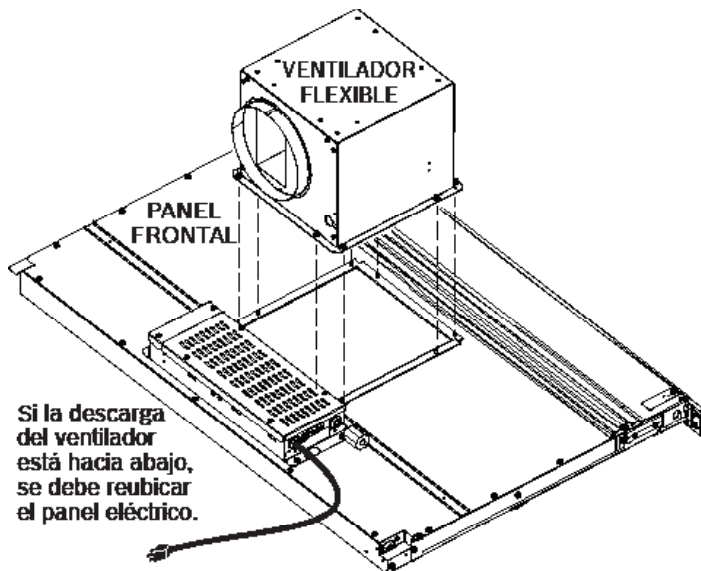
De acuerdo con la opción seleccionada de ventilador y conductos, consulte la sección que corresponda:

**A - Instalación usando un ventilador flexible fijo al tiro descendente**

**B - Instalación usando un ventilador flexible o remoto - montado en un sitio remoto - conductos a través de la abertura del panel frontal**

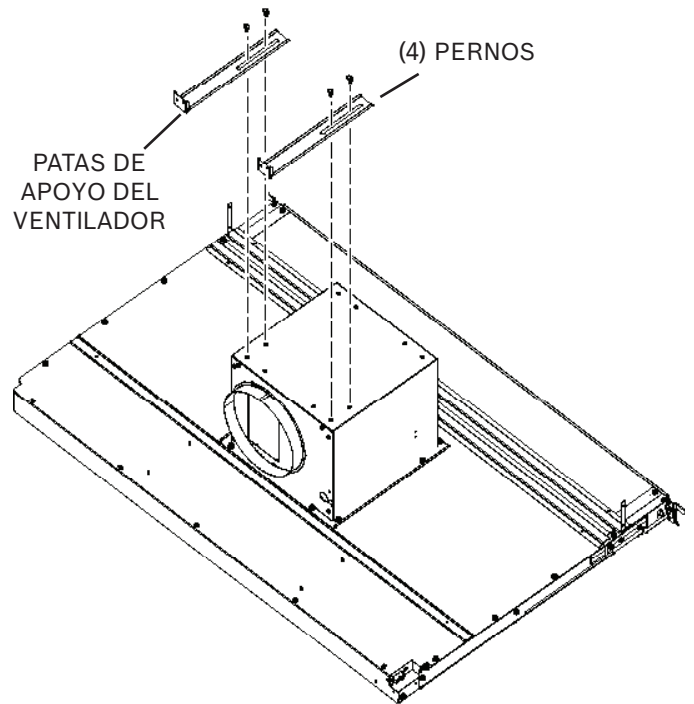
**C - Instalación usando un ventilador flexible o remoto - montado en un sitio remoto - conductos a través del lado izquierdo, derecho o parte posterior**

**A - Instalación usando un ventilador flexible fijo al tiro descendente**



(Compre el ventilador flexible modelo DHG602DUC por separado.)

1. Retire las tuercas hexagonales para retirar la cubierta del panel delantero.
2. Determine si el ventilador flexible tendrá su descarga a la izquierda, a la derecha o hacia abajo.
3. Si la descarga del ventilador está hacia abajo, retire las (4) tuercas hexagonales #8-32 y el panel eléctrico.
4. Coloque el ventilador sobre los pivotes alrededor de la abertura del panel delantero.
5. Apriete las tuercas hexagonales para fijar el ventilador en su lugar.

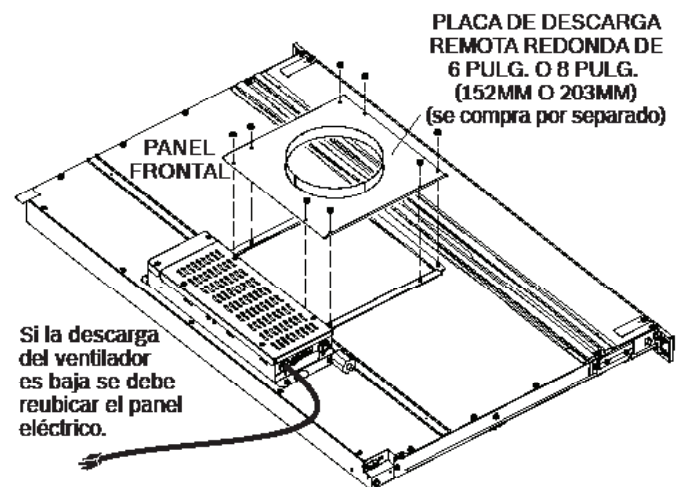


6. Retire los pernos de la cubierta del ventilador flexible. Fije las patas de apoyo del ventilador a la cubierta del ventilador flexible con estos (4) pernos. No apriete los pernos en este momento.

**B - Instalación usando un ventilador en línea o remoto - con conductos a través de la abertura del panel frontal**

## PRECAUCIÓN

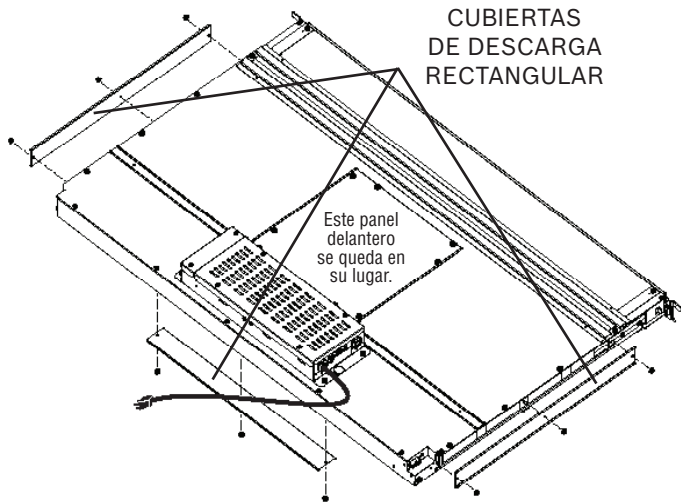
Si el ventilador flexible está montado en línea: No utilice las patas por sí solas como apoyo. Tal vez sea necesario añadir apoyo extra para el ventilador flexible.



1. Retire las tuercas hexagonales para retirar la cubierta del panel delantero.
2. Si la descarga del ventilador está hacia abajo, retire las (4) tuercas hexagonales #8-32 y el panel eléctrico.
3. Coloque una placa de empalme redonda de 6 pulg. (152mm o 203mm) (se compra por separado) sobre los pivotes alrededor de la abertura del panel delantero.
4. Apriete las tuercas hexagonales para fijar la placa de descarga remota en su lugar.

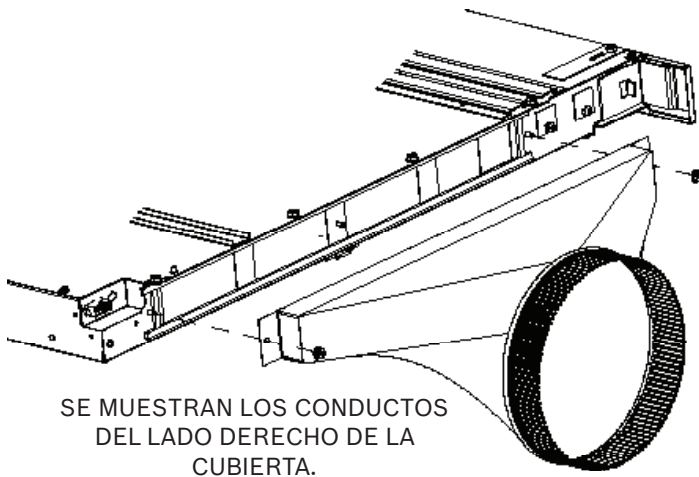
# INSTALACIÓN

## C - Instalación usando un ventilador en línea o remoto - con conductos a través del lado izquierdo, derecho o parte posterior



(Requiere comprar una transición redonda de 1-7/8 pulg. x 19 pulg. a 6 pulg. o 8 pulg. (48mm x 483mm a 152mm o 203mm). También se tienen disponibles un conducto rectangular de 1-7/8 pulg. x 19 pulg. (48mm x 483mm) y adaptadores para la conexión.)

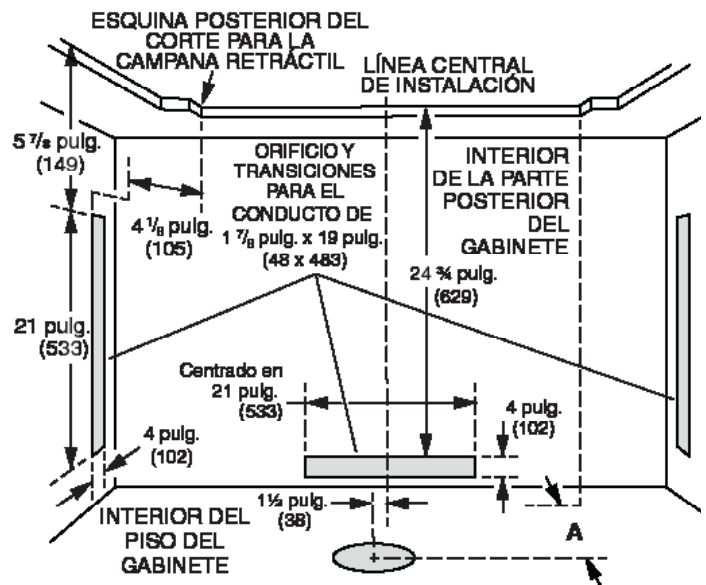
1. Retire solo una CUBIERTA DE DESCARGA RECTANGULAR.



2. Utilice tuercas para conectar un adaptador para la conexión del conducto rectangular de 1-7/8 pulg. x 19 pulg. (48mm x 483mm) o una transición redonda de 1-7/8 pulg. x 19 pulg. a 6 pulg. o 8 pulg. (48mm x 483mm a 152mm o 203mm) en la cubierta al instalar los conductos.

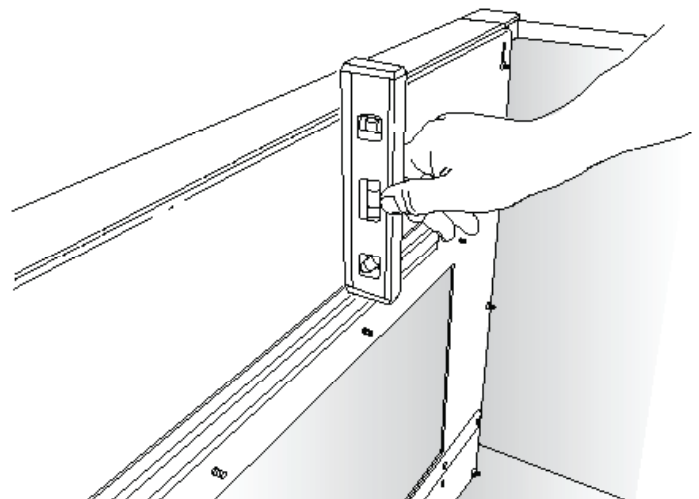
## Recorte la abertura para el conducto en el gabinete

1. Mida y marque dónde va a cortar la abertura para el conducto en el gabinete, con base en la opción de conducto seleccionada. Utilice las dimensiones de la siguiente ilustración para ayudarle a planear cómo y dónde proporcionar acceso para el conducto a través del gabinete.



Orificio en el piso del gabinete
Dimensión A
Utilizando el ventilador flexible (Modelo DHG602DUC y el conducto redondo de 8 pulg. (203mm) en línea recta hacia abajo a través del piso del gabinete. (1-1/2 pulg. (38mm) a la izquierda de la línea central de la instalación)
7-3/4 pulg. (197mm)

Mediciones en pulgadas (milímetros).



2. Fije el tiro descendente en el gabinete o la abertura de la superficie tan atrás como sea posible y asegúrese de que esté nivelado.



# INSTALACIÓN

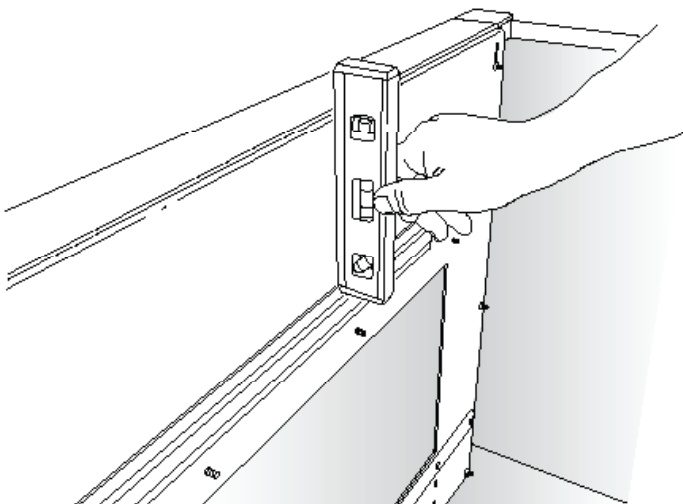
3. Verifique que las marcas en el gabinete estén alineadas con el conducto que viene del tiro descendente.
4. Retire del gabinete la cubierta del tiro descendente.

## ⚠ PRECAUCIÓN

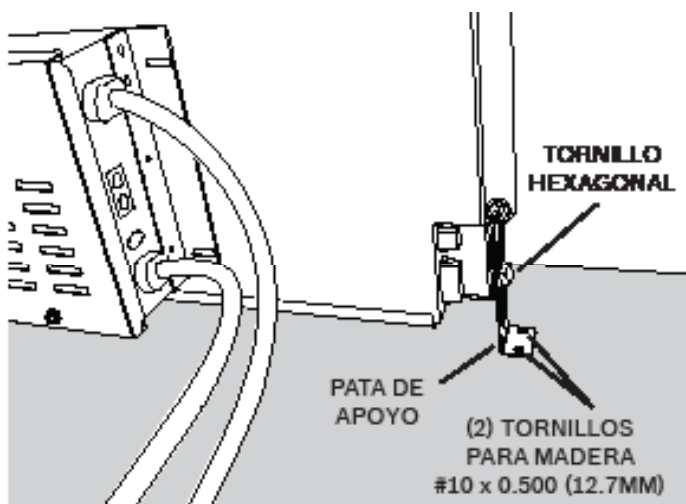
Antes de hacer la abertura en el gabinete para los conductos, revise que no haya interferencia con vigas del piso, montantes de la pared, cableado eléctrico ni tubería.

5. Haga el orificio para el conducto en el gabinete, así como los orificios en la pared o el piso según sea necesario.

## Monte el tiro descendente en el gabinete

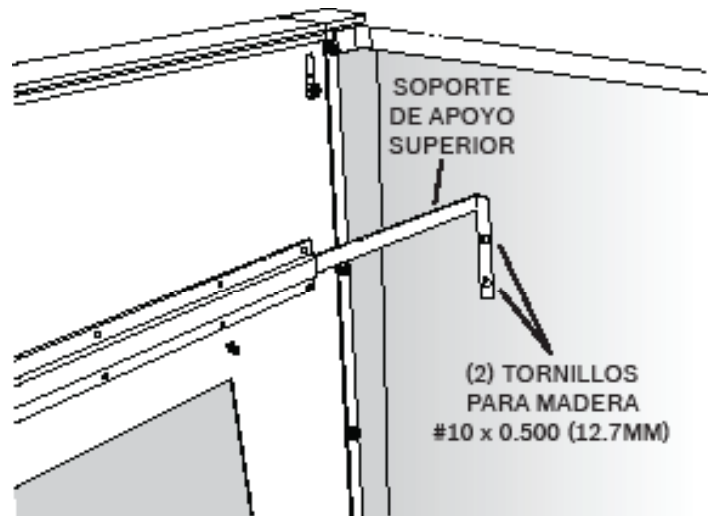


1. Fije el tiro descendente en el gabinete o la abertura de la superficie tan atrás como sea posible y asegúrese de que esté nivelado.



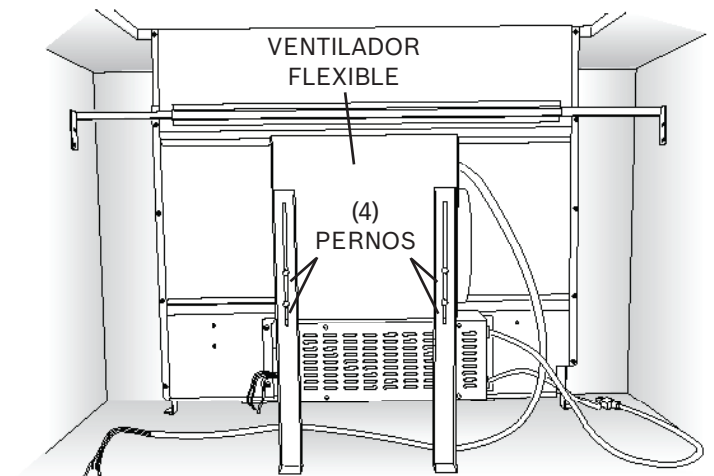
2. Extienda las patas de apoyo y fijelas a la parte inferior del gabinete con dos (2) tornillos a través de cada pata. Apriete los tornillos hexagonales.

Si se quita el gabinete inferior: Utilice bloques como espaciadores entre las patas de apoyo y el piso.



3. Extienda los soportes de apoyo superiores y fijelos a los lados del gabinete con dos (2) tornillos a través de cada soporte.

## Instalaciones con el ventilador flexible solamente:



4. Extienda las patas de apoyo del ventilador y fijelas a la parte inferior del gabinete con un tornillo a través de cada soporte. Apriete (4) pernos para fijar las patas al ventilador flexible.

# INSTALACIÓN

## **Solo estufas de gas:**

### **Instale el juego para sellar estufas de gas (se compra por separado)**

Disponible para aplicarse con estufas de gas, donde se requiere el sellado adecuado y se requieren orificios en la base del gabinete. El juego incluye el sello de la moldura, la placa de cubierta para el espacio para los pies y la placa de cubierta para el orificio en el gabinete.

Las instrucciones de instalación se incluyen en el juego para sellar la estufa de gas.

### **Instale una tapa de techo, una tapa de pared o un ventilador remoto**

1. Siga las instrucciones incluidas con las tapas, el ventilador en línea y remoto.

### **Conecte los conductos**

1. Desde la tapa de techo o de pared o el ventilador remoto trabaje hacia atrás, hacia el gabinete, conectando todo el sistema de conductos, codos y transiciones como se planeó previamente.
2. Conecte el sistema de conductos (y las transiciones, si se requieren) al ventilador flexible o al tiro descendente. De ser necesario, use los (2) tornillos Phillips #8-18 x 0.375 (9.5mm) para la transición.

Nota: Independientemente de la ubicación del ventilador/ el extractor, asegúrese de que todas las uniones tengan cinta bien colocada, con el fin de asegurarlas y de hacerlas herméticas. Esto incluye las uniones/ separaciones entre los paneles o en el ventilador.

### **Instale el panel eléctrico (si lo quitó anteriormente de la cubierta del tiro descendente)**

1. Si retiró el panel eléctrico de la cubierta del tiro descendente con el fin de montarlo en un sitio remoto: Monte el panel eléctrico en el sitio elegido.

Nota: No monte el panel eléctrico con ranuras en la cubierta viendo hacia abajo.

## **Planee el cableado de la casa**

### **▲ ADVERTENCIA**

#### **RIESGO DE DESCARGA ELÉCTRICA**

Las piezas dentro del electrodoméstico pueden tener bordes afilados. El cable de conexión se puede dañar. No doble ni aplaste los cables de conexión durante la instalación.

Antes de conectar el electrodoméstico, verifique el cableado de la casa para estar seguro de tener suficiente protección en el circuito. El voltaje y la frecuencia del electrodoméstico deben coincidir con la instalación eléctrica (vea la placa nominal).

Solo un electricista calificado que cumpla con los reglamentos correspondientes puede colocar o reemplazar el cable de conexión.

Siga todos los reglamentos, leyes y códigos válidos.

Asegúrese de que la conexión eléctrica cumpla con los requisitos de la versión más reciente de todos los reglamentos, leyes y códigos aplicables en el país correspondiente, en especial en las normas siguientes:

Código Eléctrico Nacional, ANSI/ NFPA 70\*, o normas CSA C22.1-94, Código Eléctrico Canadiense, Parte 1 y C22.2 No. 0-M91\*\*, UL 507.

Pida a un técnico electricista calificado que verifique la puesta a tierra del electrodoméstico.

No conecte a tierra una línea de gas.

Guarde estas instrucciones de instalación para referencia futura.

Asegúrese de que el diámetro del alambre cumpla con los requisitos de la versión más reciente de todos los reglamentos, leyes y códigos aplicables en el país correspondiente, en especial en las normas siguientes:

Código Eléctrico Nacional, ANSI/ NFPA 70\*, o normas CSA C22.1-94, Código Eléctrico Canadiense, Parte 1 y C22.2 No. 0-M91\*\*.

El tiro descendente que usa el ventilador flexible (se compra por separado) consume 3.0 Amp y requiere un circuito de 120 VCA y 60 Hz.

El tiro descendente con el ventilador remoto modelos DHG6015NUC y DHG6023RUC (se compran por separado) consume 5.0 Amp (máximo) y requiere un circuito de 120 VCA y 60 Hz.

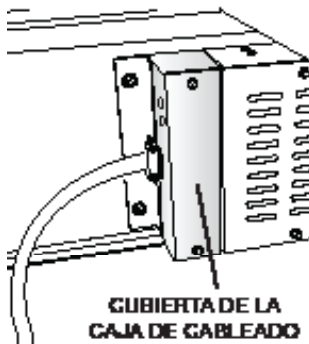
El tiro descendente tiene un cable de alimentación de 30 pulg. (762mm) con una clavija de tres patas. Planee colocar un tomacorriente con conexión a tierra en una ubicación que pueda llegar hasta el cable de alimentación.

# INSTALACIÓN

## Instale el cableado eléctrico

**⚠ PRECAUCIÓN:** Una o más personas calificadas deben realizar el trabajo de instalación y el cableado eléctrico, siguiendo todos los códigos, reglamentos y normas correspondientes, incluso los códigos y normas de construcción específicos para incendios.

**⚠ PRECAUCIÓN:** No use un cable de extensión. Si el cable de alimentación del producto es demasiado corto, solicite a un electricista calificado que instale un receptáculo de tres ranuras.



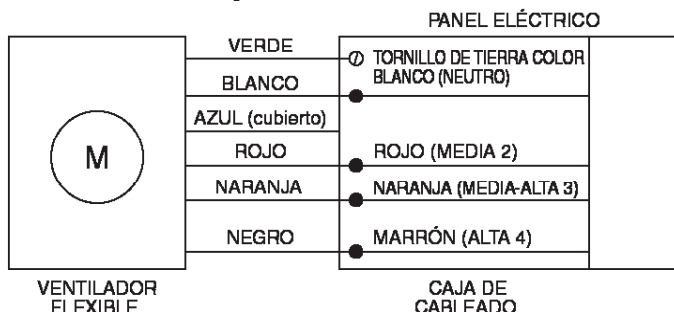
1. Instale una caja de cableado estándar con un receptáculo de tres patas al alcance del cable de alimentación del tiro descendente.
2. Retire la cubierta de la caja de cableado del panel eléctrico. Asegure el cable eléctrico del ventilador a la caja de cableado del panel eléctrico con un alivio de esfuerzo aprobado por U.L.

De acuerdo con la opción seleccionada de ventilador, consulte la sección que corresponda:

### A - Cableado para ventilador flexible

### B - Cableado para ventilador remoto

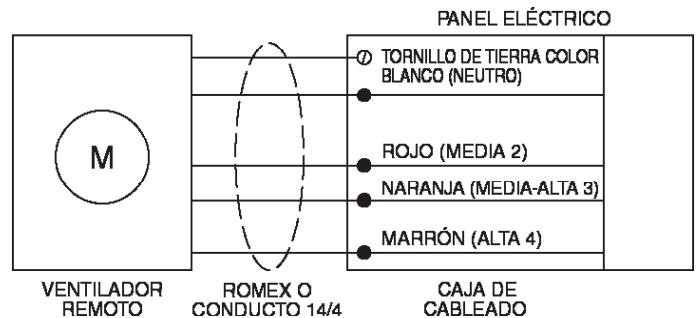
### A - Cableado para ventilador flexible



3. Conecte los cables del ventilador flexible a los cables en la caja de cableado del panel eléctrico, como se muestra. Cubra los cables AZULES (Baja 1).
4. Vuelva a colocar la cubierta de la caja de cableado.

### B - Cableado para ventilador remoto

3. Se pueden usar los siguientes ventiladores en línea o para exterior:  
DHG6023RUC - Ventilador remoto de 600 cfm (17 m<sup>3</sup>/min),  
DHG6015NUC - Ventilador en línea de 600 cfm (17 m<sup>3</sup>/min)  
120 VCA • 60 Hz • 5.0 Amp (máx.).
4. Instale una caja de cableado estándar con un receptáculo de tres patas al alcance del cable de alimentación del tiro descendente.



**NOTA:** Algunos ventiladores pueden venir con tapones o conectores. Los debe quitar y debe conectar el cableado de conducto o ROMEX 14/4 en una caja de conexiones aprobada.

5. Conecte los cables eléctricos con los cables de la caja de cableado del panel eléctrico, como se muestra.
6. Vuelva a colocar la cubierta de la caja de cableado.

### Conecte el tiro descendente a la electricidad

1. Conecte el cable eléctrico del tiro descendente al receptáculo de tres patas. Asegúrese de que el cable eléctrico esté tendido lejos del calor generado por la estufa.
2. Verifique el funcionamiento.
3. Retire toda la película protectora y el embalaje antes de la operación. Para quitar toda la película protectora y el embalaje, levante la carcasa de entrada y retire el panel frontal para acceder al área del filtro.

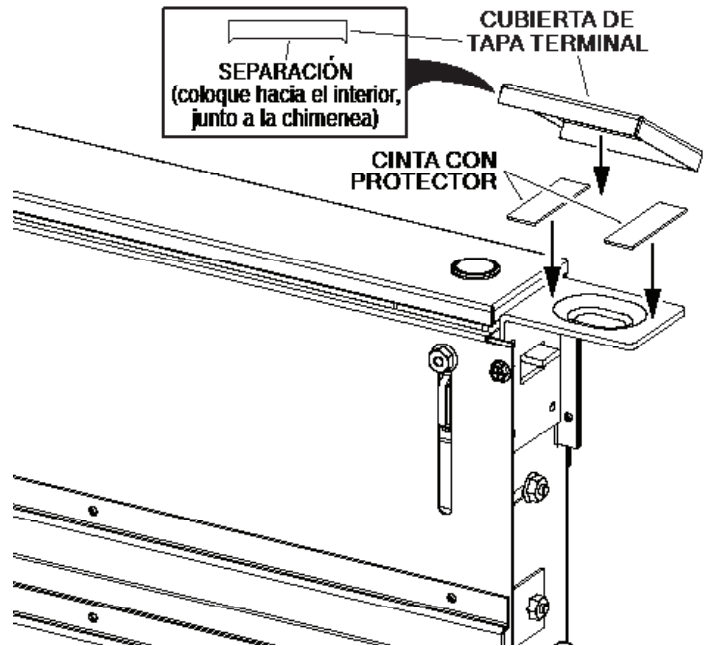
# INSTALACIÓN

## Instale el electrodoméstico de cocina

Alinee el electrodoméstico con el tiro descendente y fije el electrodoméstico en su lugar siguiendo las instrucciones del fabricante.

**NOTA:** Es necesario alinear exactamente el electrodoméstico y el tiro descendente para asegurarse de que no haya interferencia cuando el sistema de ventilación se eleve o baje. Debe haber una distancia de 1/32 pulg. - 1/16 pulg. (0.79mm - 1.59mm) entre la parte posterior de la estufa y la parte frontal de la cubierta del tiro descendente.

## Fije las tapas de extremo en el tiro descendente



1. Retire el respaldo de la cinta.
2. Limpie las cubiertas de la tapa de extremo (interior) con alcohol de frotamiento o alcohol isopropílico.
3. Presione las cubiertas de la tapa de extremo sobre los soportes.
4. Verifique el funcionamiento del tiro descendente.

# ATENCIÓN DE BOSCH®

## Antes de llamar al servicio

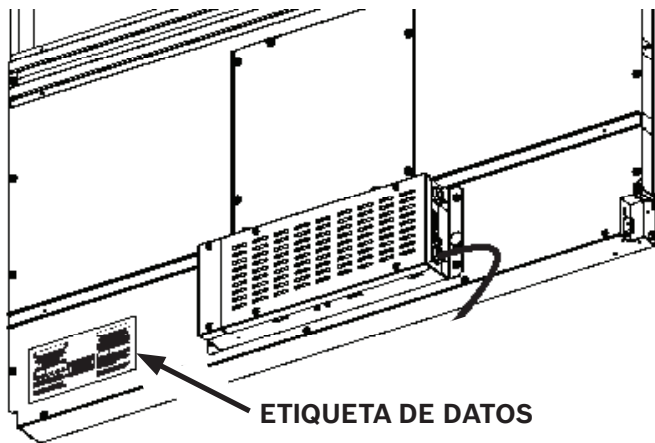
Vea la información de resolución de problemas en el Manual de uso y cuidado Consulte la “Declaración de garantía limitada del producto”.

Para comunicarse con un representante de servicio, vea la información de contacto al frente del manual. Cuando llame, tenga preparada la información impresa en la etiqueta de datos de su producto.

## Etiqueta de datos

La etiqueta de datos muestra el modelo y el número de serie. Cuando solicite el servicio, consulte la placa de datos en el electrodoméstico.

La etiqueta de datos la puede encontrar al frente / abajo / a la izquierda de la cubierta del tiro descendente.



Para evitar tener que buscar cada detalle de la información cuando llame, puede ingresar los cuatro datos necesarios en los espacios siguientes.

No. de modelo	
No. de serie	
Fecha de la compra	
No. de servicio al cliente	

Conserva su factura o documentos para validar la garantía, en caso de que necesite servicio.

## Servicio

Sabemos que usted ha realizado una inversión considerable en su cocina. Nos dedicamos a apoyarle a usted y a su electrodoméstico, de tal manera que tenga muchos años para cocinar de manera creativa.

No dude en comunicarse con nuestro Departamento de Atención al Cliente en caso de que tuviera preguntas o en el caso poco probable de que el electrodoméstico Bosch® necesite servicio. Nuestro equipo de servicio está listo para ayudarlo.

**EE.UU.** 800-944-2904 [www.bosch-home.com/us/support](http://www.bosch-home.com/us/support)

**Canadá** 800-944-2904 [www.bosch-home.ca/en/support](http://www.bosch-home.ca/en/support)

## Piezas y accesorios

Las piezas, filtros, desincrustantes, limpiadores de acero inoxidable y más se pueden comprar en la tienda electrónica de Bosch® o bien por teléfono.

**EE.UU.** [www.bosch-home.com/us/store](http://www.bosch-home.com/us/store)

**Canadá** Marcone 800-482-6022 o

Reliable Parts 800-941-9217







9001494368  
99045315E

1901 Main Street, Suite 600 • Irvine, CA 92614 • 800-944-2904  
[www.bosch-home.com](http://www.bosch-home.com) • © 2018 BSH Home Appliances