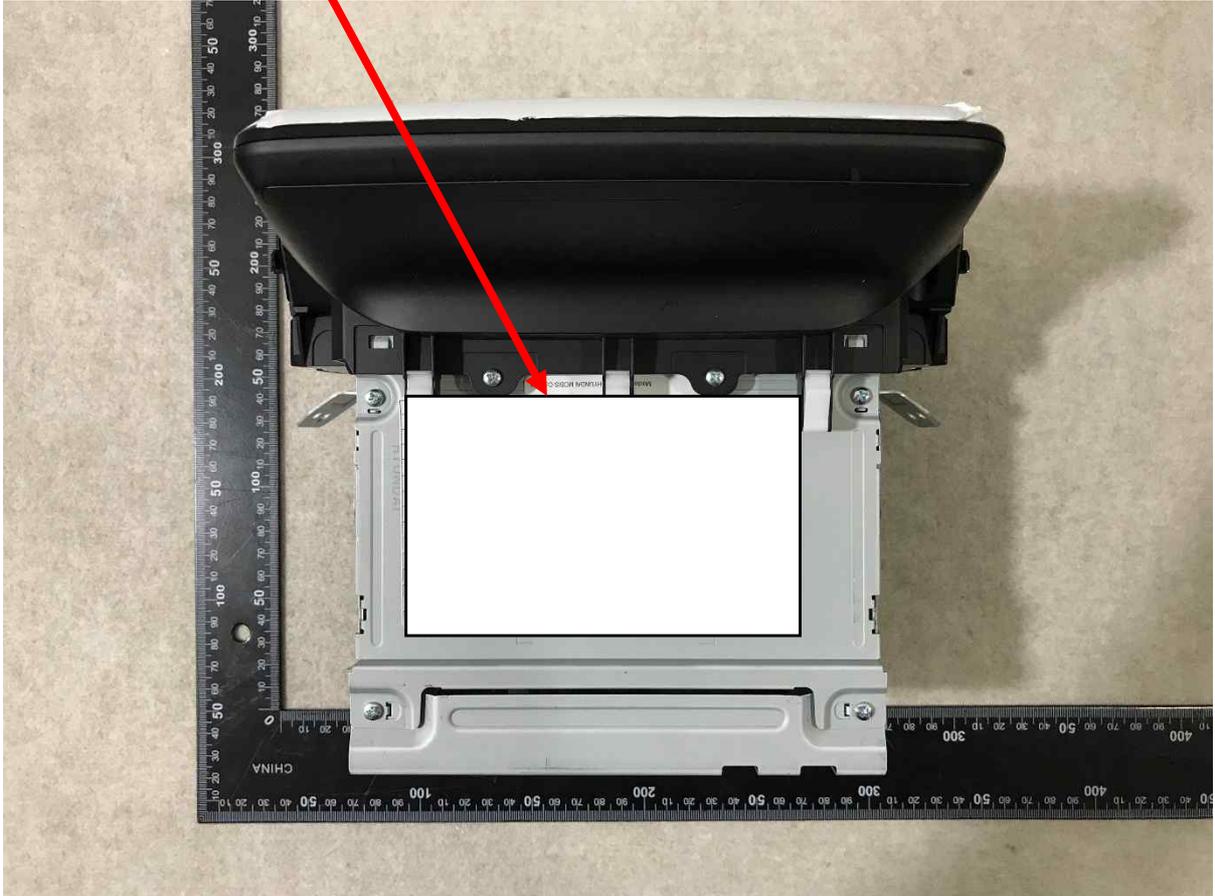


Label Information

1. Label drawing

<small>HYUNDAI</small> MOBIS	
Part No. : 96170-J3200 Model : ADC11J3GG HW ver : 0	Frequency range :
14.4 V, V,2 , 10A	
FCC ID : TQ8-ADC11J3GG	
14.4V \Rightarrow 10A	
00 S2LH400024 9820967 	
Made in Korea HYUNDAI MOBIS Co., Ltd	

2. Label location

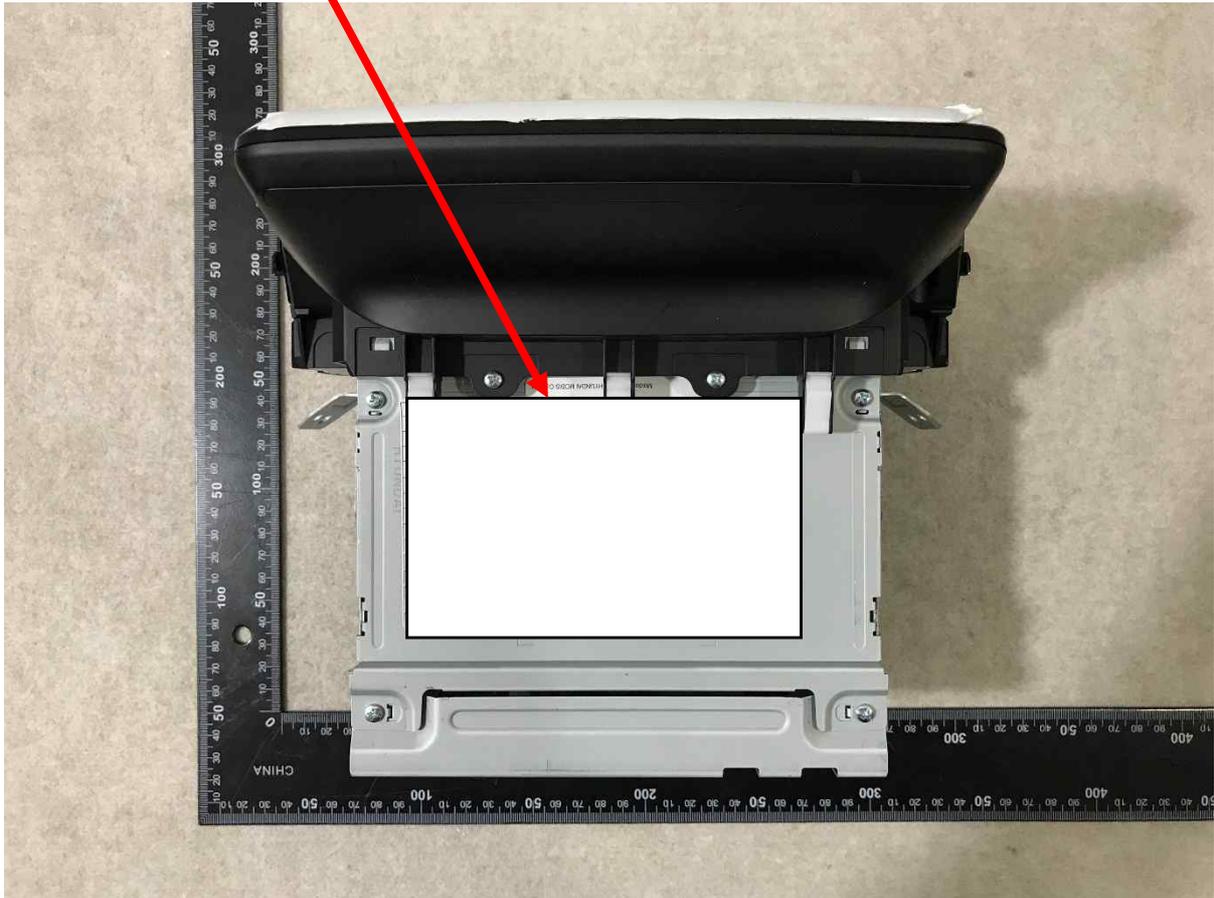


Label Information

1. Label drawing

<small>HYUNDAI</small> MOBIS	
Part No. : 96170-J3240	Frequency range :
Model : ADC10J3BG	
HW ver : 0	
14.4 V, V,2 , 10A	
FCC ID : TQ8-ADC11J3GG	
14.4V $\overline{=}$ 10A	
	
Made in Korea HYUNDAI MOBIS Co., Ltd	

2. Label location

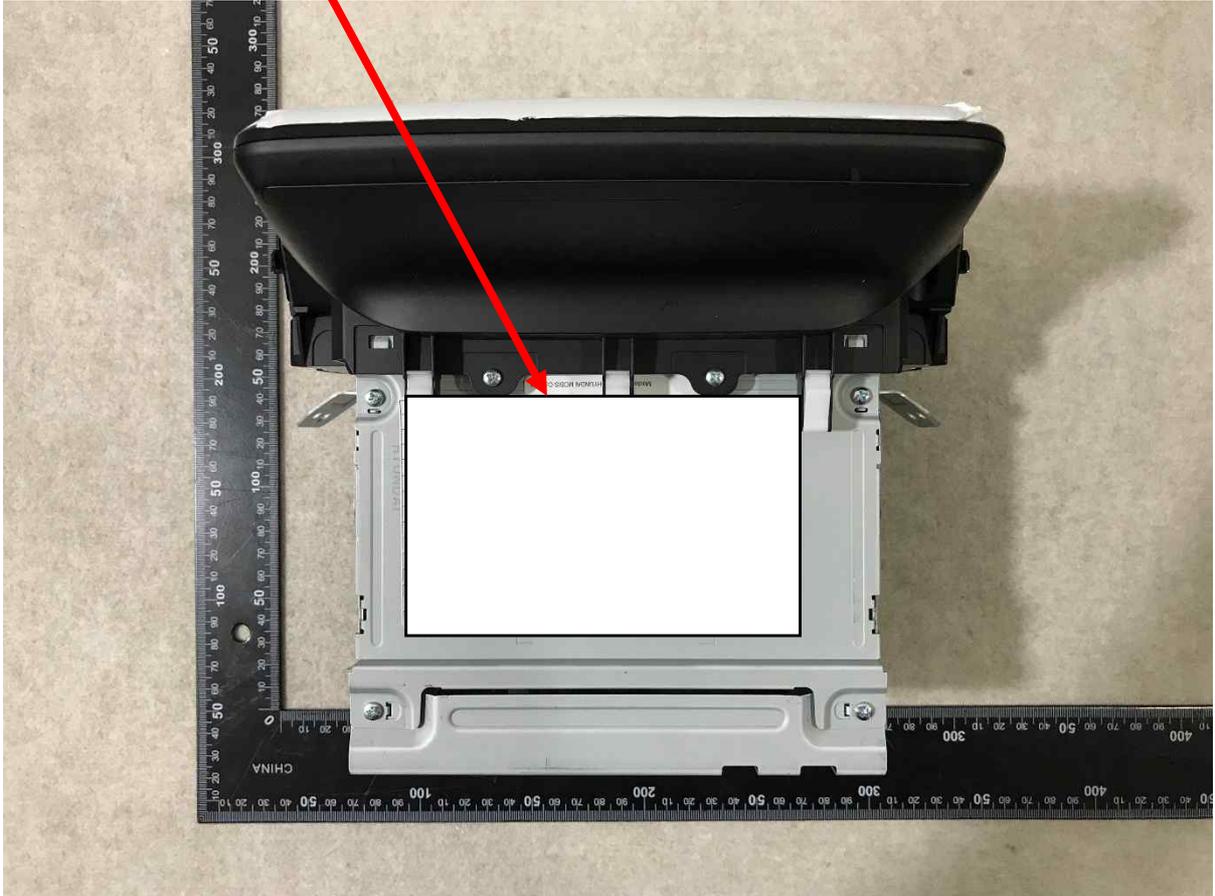


Label Information

1. Label drawing

<small>HYUNDAI</small> MOBIS	
Part No. : 96170-J3700	Frequency range :
Model : ADC10J3GE	
HW ver : 0	
14.4 V, V,2 , 10A	
FCC ID : TQ8-ADC11J3GG	
14.4V $\overline{=}$ 10A	
00 S2LH400024 9820967	
	
Made in Korea HYUNDAI MOBIS Co., Ltd	

2. Label location

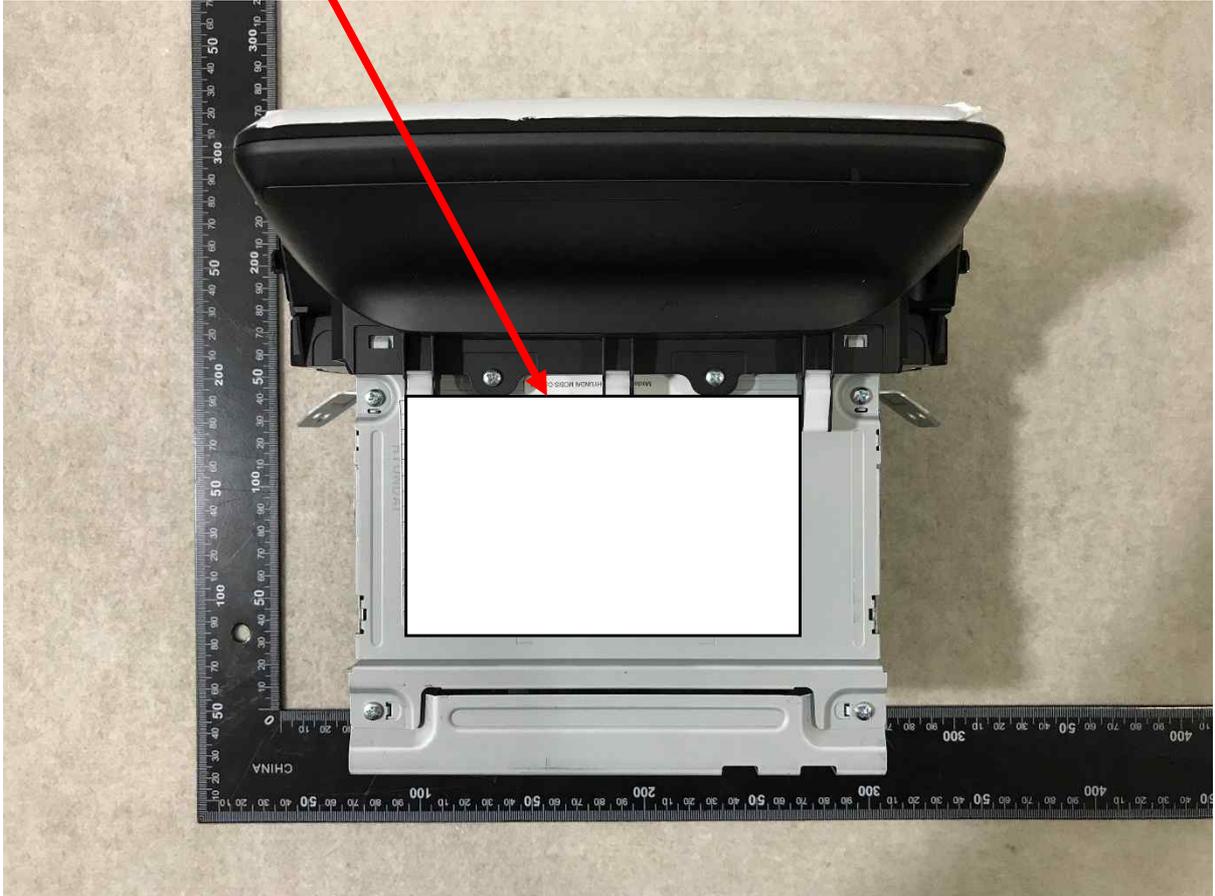


Label Information

1. Label drawing

<small>HYUNDAI</small> MOBIS	
Part No. : 96170-J3210	Frequency range :
Model : ADC10J3GG	
HW ver : 0	
14.4 V, V,2 , 10A	
FCC ID : TQ8-ADC11J3GG	
14.4V $\overline{=}$ 10A	
	
Made in Korea HYUNDAI MOBIS Co., Ltd	

2. Label location

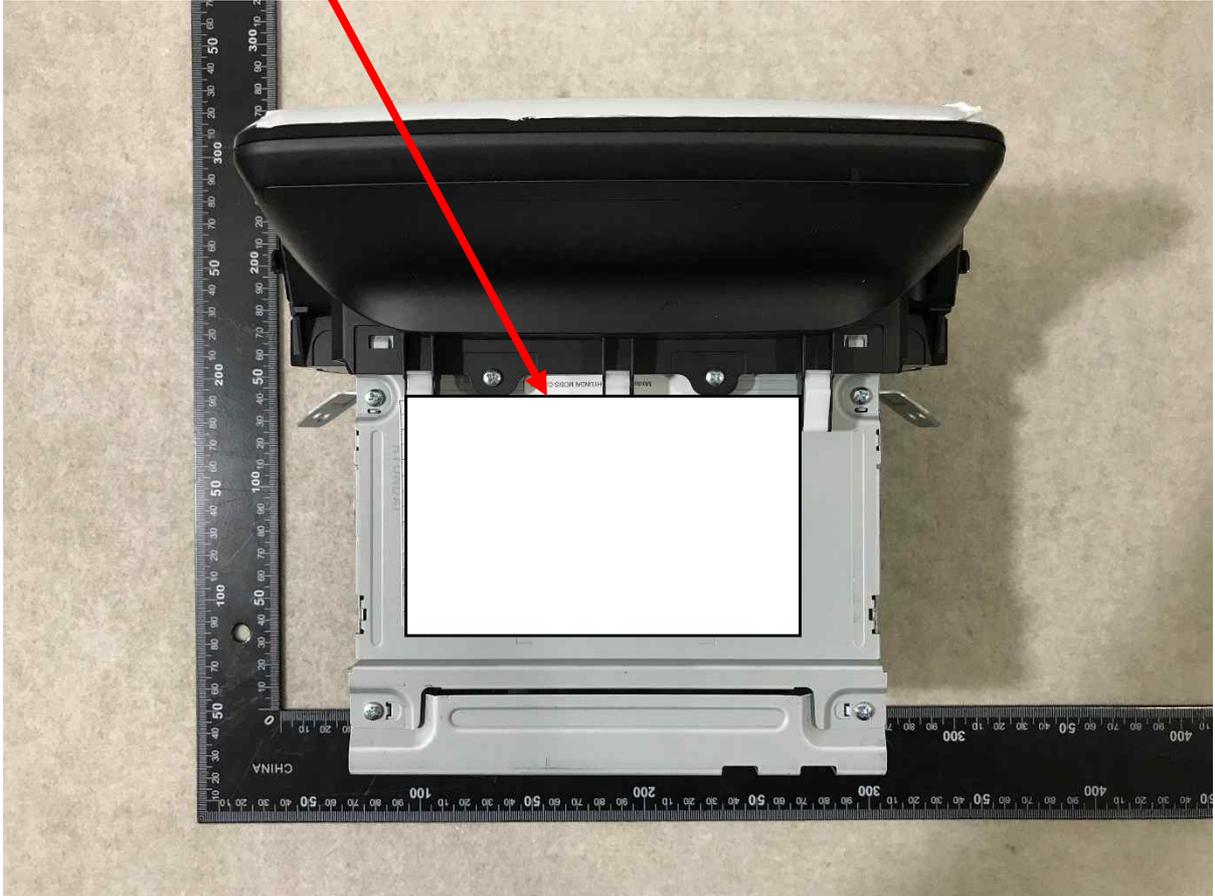


Label Information

1. Label drawing

<small>HYUNDAI</small> MOBIS	
Part No. : 96170-J3220	Frequency range :
Model : ADC10J3GL	
HW ver : 0	
14.4 V, V,2 , 10A	
FCC ID : TQ8-ADC11J3GG	
14.4V $\overline{=}$ 10A	
	
Made in Korea HYUNDAI MOBIS Co., Ltd	

2. Label location

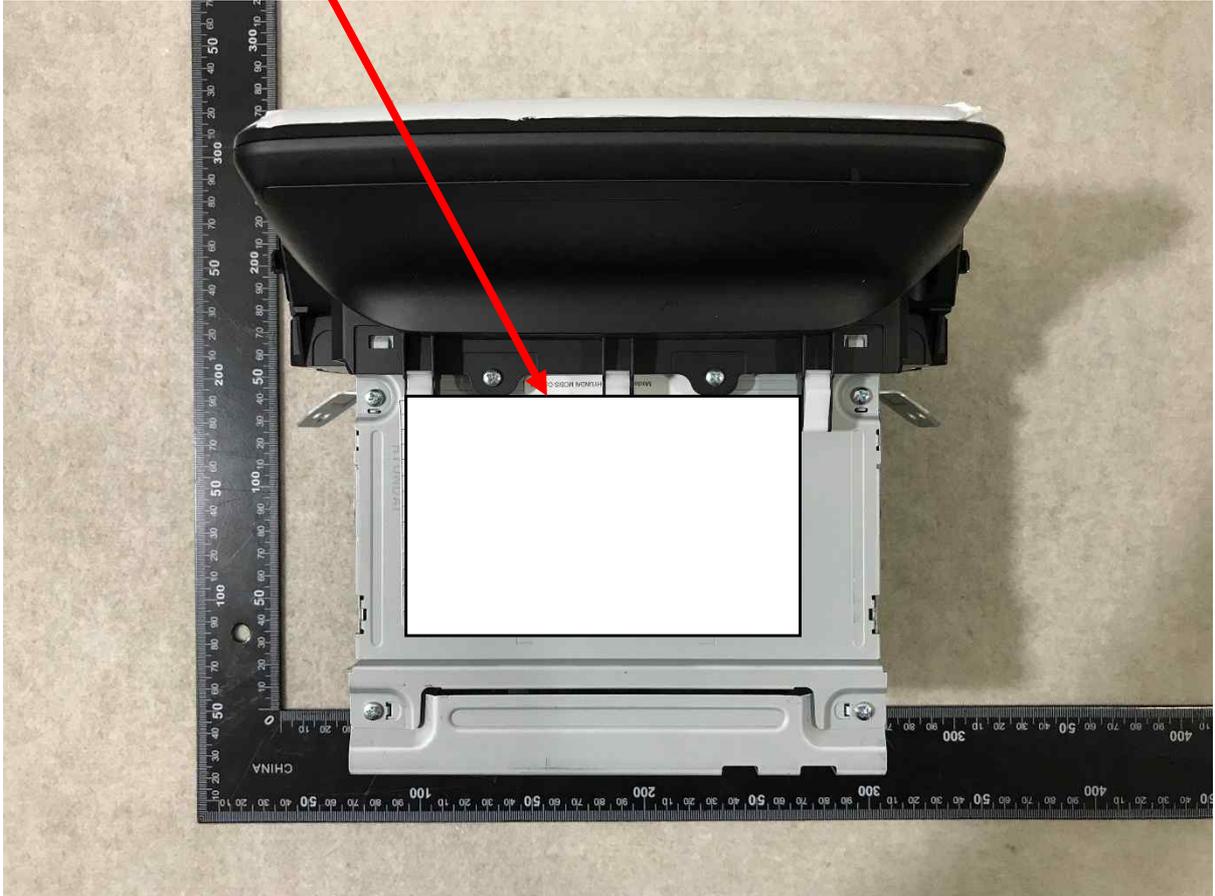


Label Information

1. Label drawing

<small>HYUNDAI</small> MOBIS	
Part No. : 96170-J3000	Frequency range :
Model : ADC10J3GN	
HW ver : 0	
14.4 V, V,2 , 10A	
FCC ID : TQ8-ADC11J3GG	
14.4V $\overline{=}$ 10A	
00 S2LH400024 9820967 	
Made in Korea HYUNDAI MOBIS Co., Ltd	

2. Label location

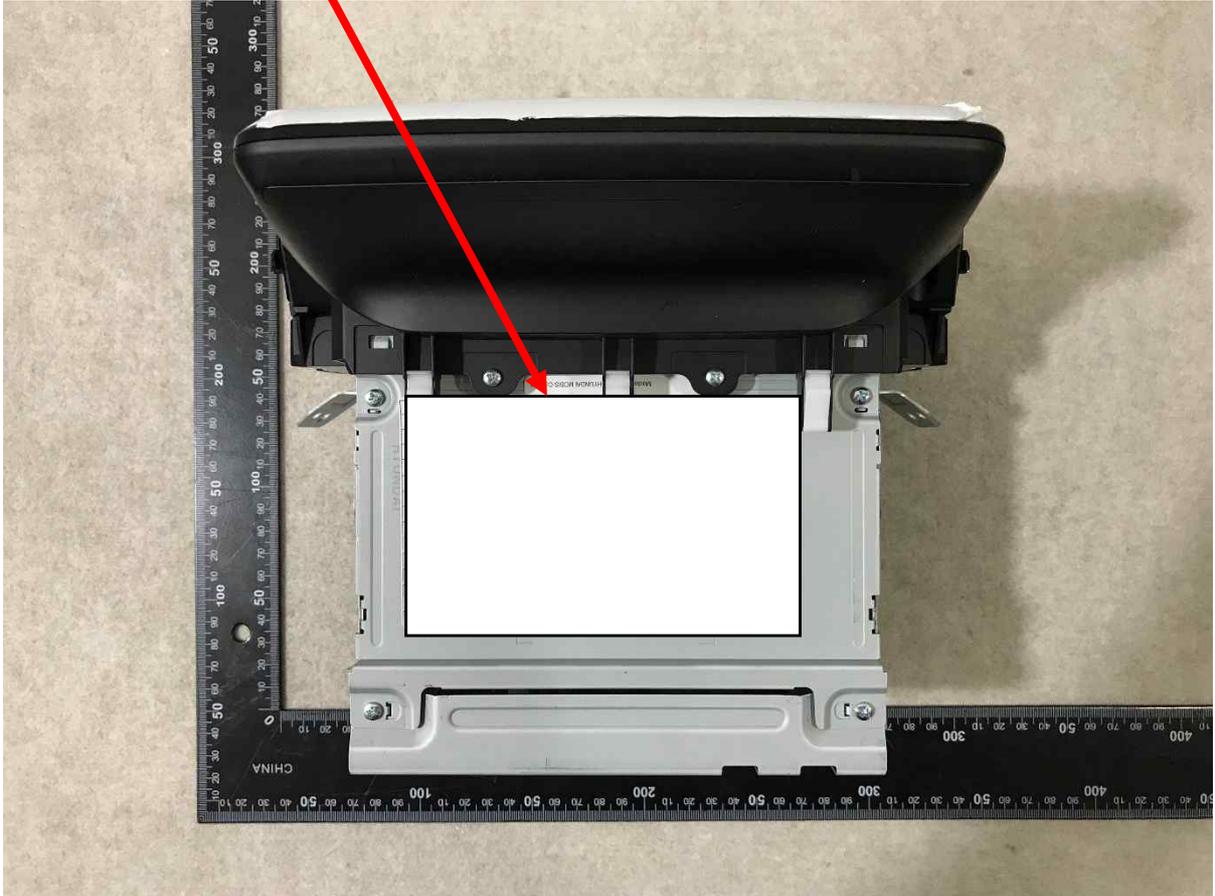


Label Information

1. Label drawing

<small>HYUNDAI</small> MOBIS	
Part No. : 96170-J3110	Frequency range :
Model : ADC10J3MG	
HW ver : 0	
14.4 V, V,2 , 10A	
FCC ID : TQ8-ADC11J3GG	
14.4V $\overline{=}$ 10A	
00 S2LH400024 9820967 	
Made in Korea HYUNDAI MOBIS Co., Ltd	

2. Label location



Label Information

1. Label drawing

<small>HYUNDAI</small> MOBIS	
Part No. : 96170-J3230	Frequency range :
Model : ADC11J3MG	
HW ver : 0	
14.4 V, V,2 , 10A	
FCC ID : TQ8-ADC11J3GG	
14.4V $\overline{=}$ 10A	
	
Made in Korea HYUNDAI MOBIS Co., Ltd	

2. Label location

