



Register your new Bosch now:
www.bosch-home.com/welcome


















Refrigerator-freezer
Réfrigérateur / congélateur combiné
Refrigerador/congelador
B36IT905NP B36BT935NS
B30IB905SP B30BB935SS



BOSCH

en	Instruction manual	3
fr	Notice d'utilisation	29
es	Instrucciones de uso	57

en Table of contents

 Important safety instructions	5	 Home Connect.	18
Definitions	5	Setting up Home Connect	18
About these instructions	5	Connecting the refrigerator to the Home Connect app	18
Introduction	5	Installing updates for the Home Connect software	19
Restriction of user group.	5	Customer Service access.	19
Risk of explosion.	5	Reset settings.	19
Risk of electric shock	6	Switch on or off the connection to the home WLAN network (Wi-Fi).	19
Risk of cold burns	6	Information on data protection	19
Risk of injury	6	 Alarm.	20
Fire hazard/Danger due to refrigerants	6	Door alarm	20
Risk of fire	6	Temperature alarm	20
Risk of suffocation.	7	 Refrigerator compartment.	21
Damage	7	Note when storing food	21
Weight	7	Note the chill zones in the refrigerator compartment	21
State of California Proposition 65 Warnings	7	Vegetable container with humidity controller	21
 Intended use	8	Chill compartment	21
 Environmental protection	8	 Freezer compartment.	22
Packaging	8	Fully utilizing the freezer volume.	22
Old appliances	8	Purchasing frozen food.	22
 Installation and connection	8	When loading products	22
Contents of package.	8	Freezing fresh food.	22
Technical data.	8	Thawing frozen food.	23
Installing the appliance	8	 Defrosting	23
Check built-in cut-out.	8	Freezer compartment	23
Side-by-side installation.	8	 Cleaning	23
Saving energy	9	Cleaning the display	23
Before using for the first time	10	Cleaning the appliance interior.	23
Water connection	10	Cleaning the equipment	23
Electrical connection.	10	Care instructions for stainless steel surfaces	23
 Getting to know your appliance	11	 Odors.	24
2-door appliance	11	Changing the odor filter	24
3-door appliance	12	 Lighting.	25
Operating controls.	13	 Noises	25
Equipment.	14	Normal noises	25
 Operating the appliance.	16	Preventing noises	25
Switching the appliance on	16	 Faults – what to do?	26
Switching off and disconnecting the appliance.	16	Appliance	26
Setting the temperature.	16	Ice maker	27
Super cooling	16		
Super freezing	17		
Eco mode	17		
Vacation mode	17		
Sabbath mode.	17		
Switching ice cube production on or off	17		
Switching Prevent condensation on or off.	17		



Customer service 28

Appliance self-test 28

Repair order and advice on faults 28

Important safety instructions

READ INSTRUCTIONS - DO NOT DISCARD!

Definitions

WARNING

Non-observance of this warning could result in death or serious injuries.

CAUTION

Non-observance of this warning could result in slight or moderately serious injuries.

NOTICE: Non-observance of this information could damage the appliance.

Note: This indicates important information and/or tips.

About these instructions

- Read and follow the operating and installation instructions. They contain important information on how to install, use and maintain the appliance.
- The manufacturer is not liable if you disregard the instructions and warnings in the operating and installation instructions.
- Retain all documents for subsequent use or for the next owner.

Introduction

- This appliance complies with the relevant safety regulations for electrical appliances.
- The refrigeration circuit has been checked for leaks.

Restriction of user group

- Avoid placing children and vulnerable persons at risk.
- This appliance may be used by children and persons who have reduced physical, sensory or mental abilities or inadequate experience and/or knowledge, provided they are supervised or have been instructed on how to use the appliance safely and have understood the resulting dangers.
- Children should be supervised to ensure that they do not play with the appliance.

Risk of explosion

- If the appliance's ventilation openings are sealed, a leak in the refrigeration circuit may result in a flammable mixture of gas and air.
Keep ventilation openings in the appliance enclosure or in the built-in structure clear of obstruction.
- Never use electric devices inside the appliance (e.g. heaters or electric ice makers).
- Do not store products which contain flammable propellants (e.g. spray cans) or explosive substances in the appliance.
- Only store high-proof alcohol tightly closed and upright.
- Do not use additional means to accelerate the defrosting process other than those recommended by the manufacturer.

Important safety instructions

READ INSTRUCTIONS - DO NOT DISCARD!

Risk of electric shock

Improper installations or repairs may put the user at considerable risk.

- When installing the appliance, make sure that the power cord does not get jammed or damaged.
- In order to avoid danger, if the power cord is damaged, disconnect the appliance from the power source immediately. Have the power cord replaced by the manufacturer, customer service or a similarly qualified person.
- Do not use multiple outlets, extension cords, or adapters.
- Before servicing the appliance or carrying out installation work, disconnect the appliance from the power source or switch off the fuse.
Before cleaning the appliance, press the **main On/Off switch** to switch the appliance off.
Glass shelves and other fittings can be moved without any risk while the appliance is switched on.
- Never cut through or remove the power cord's third conductor (grounding conductor).
- Never defrost or clean the appliance using a steam cleaner. The steam may penetrate electrical parts and cause a short circuit.
- The appliance, cord and accessories should only be repaired or replaced by the manufacturer or an authorized service provider.
- Only use original parts supplied by the manufacturer.
These parts come with a warranty from the manufacturer that they satisfy the safety requirements.

Risk of cold burns

- Never put frozen food straight from the freezer compartment into your mouth.
- Avoid prolonged skin contact with frozen food, ice or any other surface inside the freezer compartment.

Risk of injury

- Containers with carbonated drinks may burst.
- Do not store containers which contain carbonated drinks in the freezer compartment.



Fire hazard/Danger due to refrigerants

The tubes of the refrigeration circuit contain a small quantity of an environmentally friendly but flammable refrigerant (R600a). It does not damage the ozone layer and does not add to the greenhouse effect. If the refrigerant escapes, it may injure your eyes or ignite.

- Do not damage the tubes.

If the tubes are damaged:

- Keep naked flames and ignition sources away from the appliance.
- Ventilate the room.
- Switch off the appliance and unplug the mains plug.
- Please contact customer service.



Risk of fire

Portable multi-outlet power strips and portable power supplies may overheat, causing a fire.

- Never leave portable multi-outlet power strips or portable power supplies behind the appliance.

Important safety instructions

READ INSTRUCTIONS - DO NOT DISCARD!

Risk of suffocation

- If the appliance features a door lock: keep the key out of the reach of children.
- Keep children away from the packaging and its parts.

Damage

To avoid damage:

- Do not stand or lean on the base, runners or doors.
- Keep plastic parts and door seals free of oil and grease.
- Pull the power plug – not the power cord.


Weight

The appliance is very heavy. The appliance should always be transported and set up by at least 2 people.

→ *"Installing the appliance" on page 8*

State of California Proposition 65 Warnings

This product may contain a chemical known to the State of California, which can cause cancer or reproductive harm. Therefore, the packaging of your product may bear the following label as required by California:

<p>STATE OF CALIFORNIA PROPOSITION 65 WARNING: / AVERTISSEMENT ISSUE DE LA PROPOSITION 65 DE L'ÉTAT DE LA CALIFORNIE:</p>	
	<p>WARNING / AVERTISSEMENT</p>
<p>Cancer and Reproductive Harm / Cancer et dommages à la reproduction - www.P65Warnings.ca.gov.</p>	

Intended use

Use this appliance

- only for cooling and freezing food and for making ice.
- only in the home and in the home environment.
- only according to these operating instructions.

This appliance is intended for use at an elevation of no more than 2000 meters above sea level.

Environmental protection

Packaging

All materials are environmentally safe and recyclable:

- Dispose of packaging in an environmentally responsible manner.
- Please ask your dealer or inquire at your local authority about current means of disposal.

Old appliances

Valuable raw materials can be reclaimed by recycling old appliances.

WARNING

CHILDREN MAY BECOME LOCKED IN THE APPLIANCE AND SUFFOCATE!

Before disposing of your old appliance:

- Remove the door.
- Leave shelves and bins in the appliance to prevent children from climbing in.
- Keep children away from the discarded appliance.

CAUTION

REFRIGERANT AND HARMFUL GASES MAY ESCAPE.

Do not damage the tubes of the refrigeration circuit and insulation.

1. Pull out the power plug.
2. Cut through the power cord.
3. Have the appliance disposed of properly.

Installation and connection

Contents of package

After unpacking all parts, check for any damage during transport.

If you have any complaints, please contact the dealer from whom you purchased the appliance or our customer service.

→ "Customer service" on page 28

The delivery consists of the following parts:

- Built-in appliance
- Equipment (depending on model)
- Installation material
- Instruction manual
- Installation instructions
- Customer service booklet
- Warranty enclosure
- Information on the energy consumption and noises

Technical data

Refrigerant, cubic capacity and further technical specifications can be found on the rating plate.

→ "Getting to know your appliance" on page 11

Installing the appliance

Installation location

The weight of the appliance may be up to 460 kg depending on the model. The base must be sufficiently stable and should not give. If necessary, reinforce the floor.

Check built-in cut-out

The cut-out must fulfill these criteria:

- Anti-tilt bracket must be fitted
- Cut-out depth min. 24" (610 mm), for flush installation 25" (635 mm)
- rectangular
- stable – the side panels and the top must be min. 5/8" (16 mm) thick and securely attached to the floor or wall
- Depth of shortest side panels min. 4" (100 mm)

Side-by-side installation

Observe the specifications in the installation instructions for a side-by-side installation.

If a partition wall is required between the appliances it must be at least 5/8" (16 mm) wide.

Saving energy

If you follow the instructions below, your appliance will use less power.

Note: The arrangement of the equipment does not affect the energy consumption of the appliance.

Installing the appliance	
Keep the appliance out of direct sunlight.	The appliance needs to cool less frequently at low ambient temperatures and therefore consumes less power.
Install the appliance as far away as possible from heating elements, cooker and other heat sources: At least 1 1/4" (3 cm) from electric or gas cookers. At least 1 1 3/4" (30 cm) from oil or solid-fuel cookers.	
Select an installation location at a room temperature of approx. 68 °F (20 °C).	
Do not cover or block the ventilation openings.	The appliance needs to cool less frequently if the warm air can escape and therefore consumes less power.
Ventilate the room daily.	
Using the appliance	
Open the appliance door only briefly.	The air in the appliance does not warm up so intensely. The appliance needs to cool less frequently and therefore consumes less power.
Transport purchased food in a cool bag and place in the appliance quickly.	
Allow warm food and drink to cool down before placing in the appliance.	
Thaw frozen food in the refrigerator compartment to utilize the low temperature of the frozen food.	
Always leave a space between the food and the back panel.	The air can circulate and the humidity will remain constant. The appliance needs to cool less frequently and therefore consumes less power.
Pack food airtight.	
Do not cover or block the ventilation openings.	The appliance consumes less power if the warm air can escape.
Vacuum the ventilation openings once a year.	

Before using for the first time

1. Remove information material, adhesive tape and protective foil.
2. Clean the appliance.
→ "Cleaning" on page 23

Water connection

CAUTION

- Installation and connection of the appliance must be carried out by authorized technicians according to the installation instructions supplied.
- To avoid damage to the appliance and to ensure its proper functioning, it should only be connected to a drinking water system.
- To avoid water damage, a shut-off valve must be installed.

Water pressure of drinking water system

CAUTION

To avoid damage to the appliance, a pressure relief valve must be installed between the drinking water connection and the tubing, should the water pressure exceed the maximum value.

Note: If the water pressure is too low, this will impair the relevant functions of the appliance.

- Min. 0.2 Mpa (2 bar / 29 psi)
- Max. 0.8 Mpa (8 bar / 116 psi)

Electrical connection

CAUTION

Do not connect the appliance to electronic energy saver plugs.

Note: You can connect the appliance to mains-controlled and sine-controlled inverters.

Mains-controlled inverters are used for photovoltaic systems which are connected directly to the national grid. Sine-controlled inverters must be used for isolated applications. Isolated applications, e.g. on ships or in mountain lodges, are not directly connected to the national grid.

1. After installing the appliance, wait at least 1 hour before connecting it to prevent damaging the compressor.
2. Check that the outlet was installed according to the regulations and complies with the requirements.

Requirements for outlets

Outlet with	110 V ... 120 V
Protective conductor	60 Hz
Fuse	10 A ... 16 A

Maximum simultaneous load

Appliance	6 A
-----------	-----

3. Connect the appliance to an outlet near the appliance.
The outlet must also be freely accessible following installation of the appliance.
If free access is impossible, an all-pole isolating switch must be integrated into the permanent electrical installation according to the installation regulations.

WARNING

RISK OF ELECTRIC SHOCK!

Never use multiple outlets, extension cords or adapters.

The appliance must be grounded correctly. Never cut through or remove the power cord's third conductor (grounding conductor).

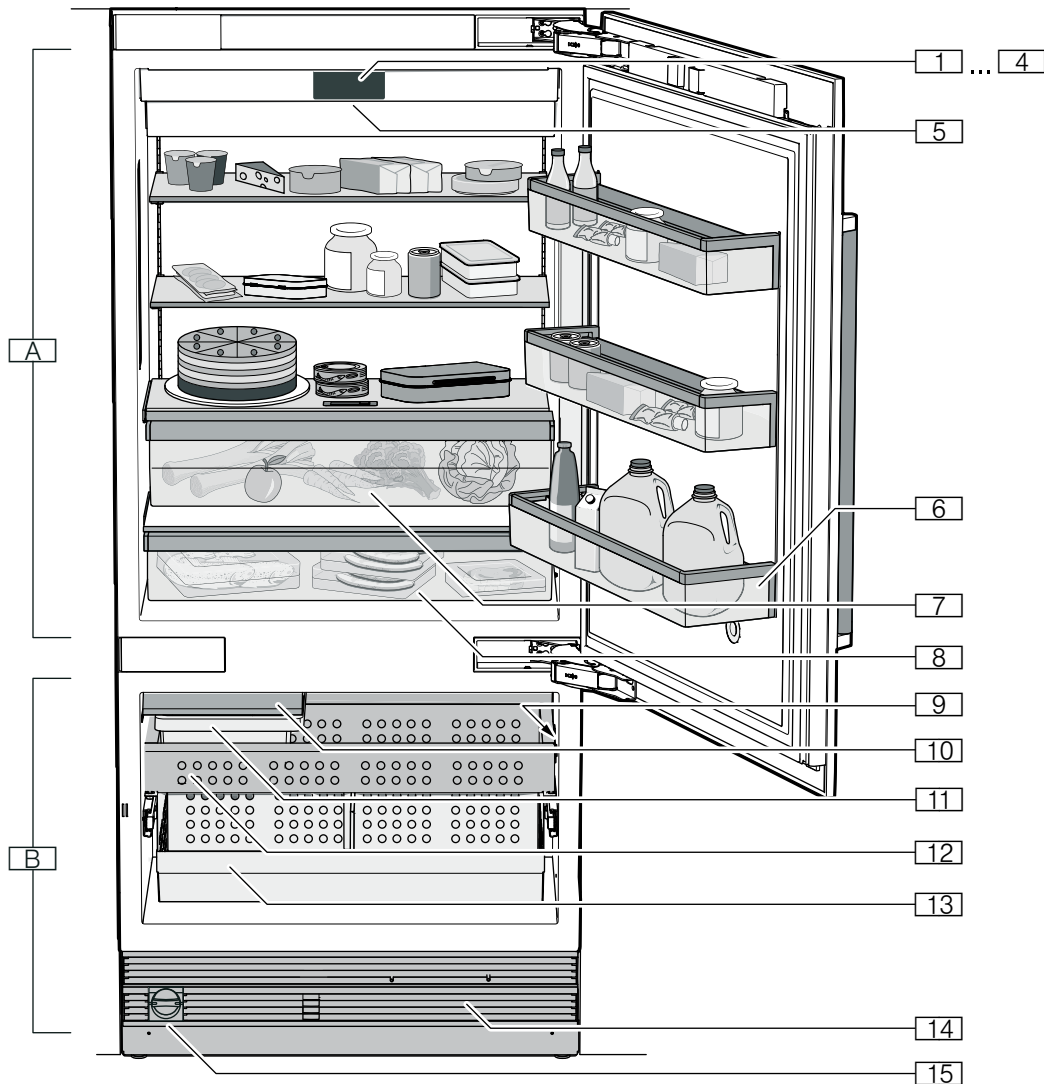
WARNING

RISK OF ELECTRIC SHOCK!

If the power cord is too short, never use multiple outlets or extension cords. Instead, please contact customer service.

Getting to know your appliance

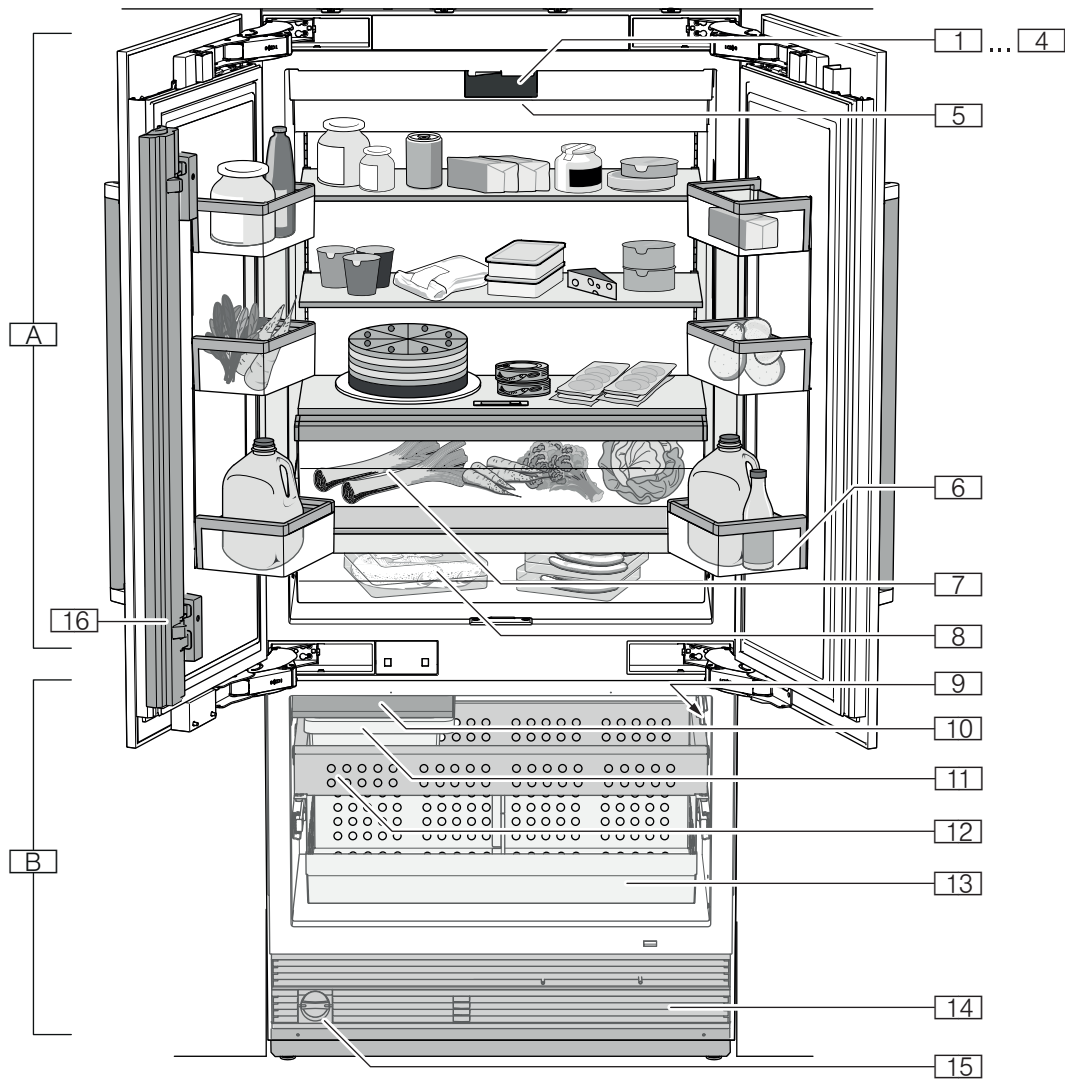
2-door appliance



- A Refrigerator compartment
- B Freezer compartment

- 1...4 Operating controls
- 5 Main On/Off switch
- 6 Storage compartment for large bottles
- 7 Vegetable container with humidity controller
- 8 Chill compartment
- 9 Rating plate
- 10 Ice maker
- 11 Ice cube bin
- 12 Frozen food container
- 13 Frozen food bin (large)
- 14 Ventilation opening
- 15 Water filter

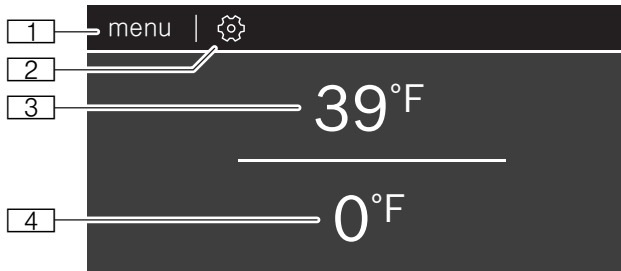
3-door appliance



- A Refrigerator compartment
- B Freezer compartment

- 1...4 Operating controls
- 5 Main On/Off switch
- 6 Storage compartment for large bottles
- 7 Vegetable container with humidity controller
- 8 Chill compartment
- 9 Rating plate
- 10 Ice maker
- 11 Ice cube bin
- 12 Frozen food container
- 13 Frozen food bin (large)
- 14 Ventilation opening
- 15 Water filter
- 16 Door pillar with condensation protection

Operating controls




- 1 **menu** button
Opens mode selection.
- 2 button
Opens the **Settings** menu.
→ "Settings" on page 13
- 3 Refrigerator compartment temperature display
Indicates the set temperature in °C/°F.
- 4 Freezer compartment temperature display
Indicates the set temperature in °C/°F.

Mode selection

To open mode selection, press **menu** button.


To switch on a mode, tap on it. When a mode is switched on, it is highlighted in red in the **mode selection** menu.

An Info window with additional information on the mode selected appears.




Eco mode
Switch the appliance to energy-saving mode.
→ "Eco mode" on page 17

Eco Mode



Vacation mode
If absent for a long time, you will save energy here.
→ "Vacation mode" on page 17

Vacation Mode



Sabbath mode
All non-essential functions are switched off so you can also use the appliance on the Sabbath.
→ "Sabbath mode" on page 17

Sabbath Mode

Settings

Tap to open the settings.

- Language**
Change the display language.
- Home Connect**
Connect your refrigerator to your mobile device.
→ "Home Connect" on page 18
- Tones**
Set the volume of the button tone and the signal tone.
- Display brightness**
Adjust the brightness of the display.
- Temperature unit**
Select the temperature unit °C/°F.
- Ice cube production**
Start or stop ice cube production. Stopping ice cube production is a good idea before cleaning the freezer compartment, or if you are going to be absent for a long time.
- Water filter counter**
If you have changed the water filter, you must reset the water filter counter. If you have replaced it with a bypass cartridge, you can switch the water filter counter off.
→ "Water filter" on page 15
- Factory settings**
Set the settings of the appliance back to its factory settings on delivery.
- Self-test**
Start fault analysis on your appliance.
- Condensation protection (only on 3-door appliances)**
On 3-door appliances, a heater is built into the door pillar to prevent condensation. This menu is used to switch condensation protection on or off.
→ "Switching Prevent condensation on or off" on page 17
- Demo mode**
Note: Do not store any food items while in demo mode, as the appliance then remains at room temperature.

The cooling function of the appliance is switched off. You can use all other functions. After switching on the appliance, this menu item is displayed for 3 minutes. To switch demo mode on or off later, switch the appliance off and back on. The mode is displayed again for 3 minutes.

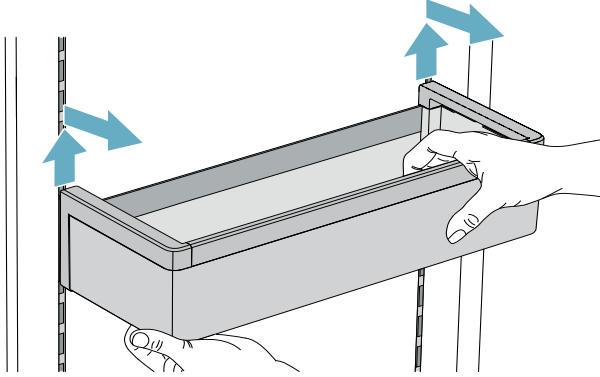
Equipment

(not all models)

Storage compartment

You can remove and adjust the height of the storage compartments:

1. Lift up the storage compartment and remove.

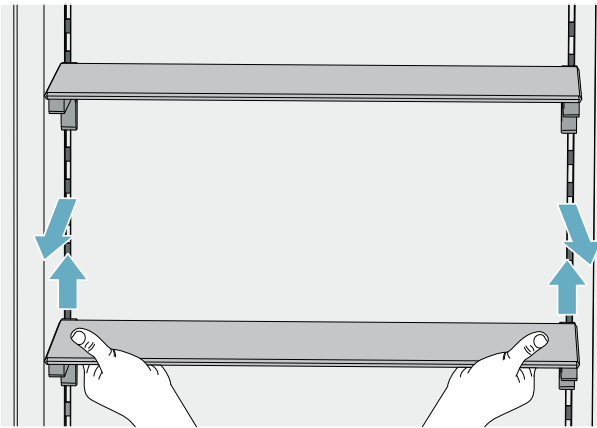


2. When re-inserting, insert hooks on back of storage compartment at same height to make it level.

Note: Insert the storage compartment carefully to avoid scratching the appliance.

Shelf

You can remove and adjust the shelf:



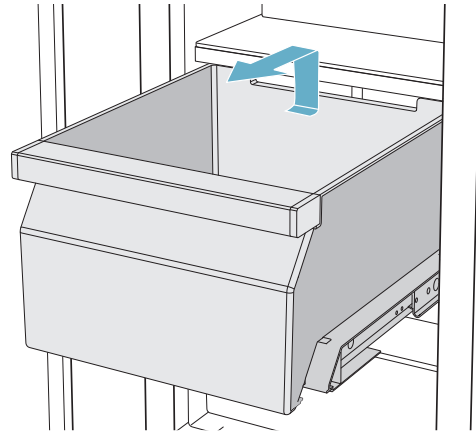
1. Lift shelf and remove.
2. When re-inserting, insert hooks on back of shelf at same height to make it level.

Note: Insert shelf carefully to avoid scratching the appliance.

Container

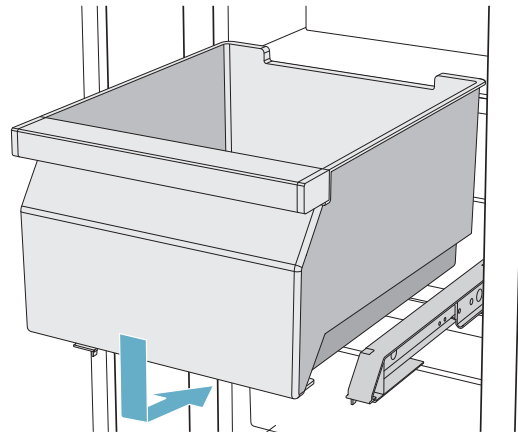
You can remove the container:

- Press container to the rear,
- lift the container at the rear and remove.



You can insert the bin:

- Pull out the telescopic rails all the way.
- Place the bin on the telescopic rails and push into the appliance until it engages.



Ice pack

In the event of a power failure or a fault:

- The ice pack delays the warming of stored frozen food.

You can take out the ice pack to temporarily keep food cool, e.g. in a cool bag.

Ice maker

⚠ CAUTION

DAMAGE TO THE APPLIANCE!

Never store bottles or food in the ice cube container, even for short periods. This can block and damage the ice maker.

Ice cube production starts as soon as the appliance has reached the set temperature.

Notes

- Discard the first 30-40 ice cubes for hygiene reasons.
- Ice cube production stops automatically when the ice cube container is full.

Information about switching ice cube production on and off

→ "Switching ice cube production on or off" on page 17

Water filter

Change the water filter after 6 months at the latest.

If the ice tastes stale, discard the rest of the ice cubes and the ones produced over the next 24 hours. If the ice still tastes stale, change the water filter.

Note: If you use an external water filter system, you can also operate the appliance without a water filter. Replace the water filter with a bypass cartridge. Switch off the water filter counter. There is no need to change the bypass cartridge.

A new water filter or bypass cartridge can be obtained from customer service or a specialist dealer.

Exchange water filter or replace with bypass cartridge

You can change the water filter, or replace it with a bypass cartridge. The bypass cartridge can remain in the appliance permanently: it does not need to be changed.

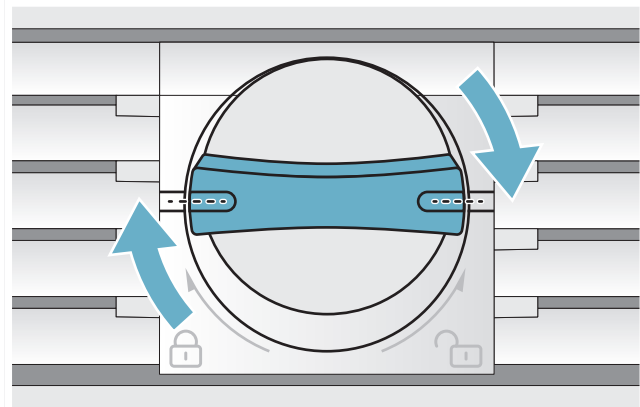
Note: After installing a water filter or a bypass cartridge, discard all ice cubes produced over the first 24 hours.

1. Turn the cap of the water filter counter-clockwise.
2. Take the water filter out.
3. Remove the protective cap of the new water filter or the new bypass cartridge.
4. Take off the cap of the used water filter and put it on the new water filter or bypass cartridge.
5. Slide the new water filter or bypass cartridge to the stop in the filter opening.

Note: The cap must be vertical here.

6. Turn the water filter or bypass cartridge clockwise to the mark.

Note: If you do not turn the water filter or bypass cartridge far enough, damage will be caused by escaping water.



7. When installing a water filter: reset water filter counter.
When installing a bypass cartridge: switch off water filter counter.
8. Discard ice cubes produced over the first 24 hours.
9. Drain the water out of the used water filter.

Note: You can dispose of the used water filter with your household garbage.

Operating the appliance

Switching the appliance on

1. Press the **main On/Off switch**.
The appliance starts cooling and the light is switched on when the door is open.
2. Set the required temperature.
→ "Setting the temperature" on page 16

Operating tips

- When the appliance has been switched on, it may take several hours until the set temperatures have been reached. Do not put in any food until the selected temperature has been reached.
- The fully automatic NoFrost system ensures that the freezer compartment remains frost-free. Defrosting is not required.
- The front sides of the housing are partly heated slightly. This prevents condensation in the area of the door seal.
- If the freezer compartment door cannot be immediately re-opened after it has been closed, wait until the resulting low pressure has equalized.

Switching off and disconnecting the appliance

Switching off the appliance

- Press the **main On/Off switch**.
The appliance is no longer cooling.

Disconnecting the appliance

CAUTION

Deterioration in water quality

The water supply must be turned off 3 hours before disconnecting. This prevents mold forming with any unused water.

If you do not use the appliance for a prolonged period:

1. Turn off the water supply to the appliance and wait 3 hours.
2. Remove groceries.
3. Press the **main On/Off switch**.
4. Pull out the mains plug or switch off the fuse.
The appliance is no longer cooling.
5. Empty the ice cube container and clean the appliance.
→ "Cleaning" on page 23
6. Leave appliance open.

Setting the temperature

Recommended temperature

Cooling compartment:	+39 °F (+4 °C)
Freezer compartment:	0 °F (-18 °C)

Setting the refrigerator and freezer compartment temperature

1. Select the required compartment by tapping the temperature display.
2. Move the displayed temperature to the required value.
3. Return to the main screen with the ◀ button.

Super cooling

Super cooling cools the refrigerator compartment as cold as possible.

Switch on super cooling, e.g.:

- Before placing large quantities of food into the compartment
- For cooling drinks quickly

Note: When super cooling is switched on, increased operating noises may occur.

After approx. 6 hours, the appliance switches to normal operation.

Switching super cooling on or off

1. Select the refrigerator compartment by tapping the temperature display.
2. Tap * button.
When the function is switched on, a pop-up window appears, explaining the function.
3. Tap **Continue**.
The pop-up window is closed, and you return to the main screen.

Note: If you have made a setting to stop the pop-up window from appearing, you can return to the main screen with the ◀ button. If the button is not pressed, the appliance saves the setting and automatically returns to the main screen after a few seconds.

Super freezing

Super freezing cools the freezer compartment as cold as possible.


Switch on super freezing, e.g.:

- to quickly freeze food right through to the center
- 4 ... 6 hours before freezing food weighing 2 kg or more

Note: When super freezing is switched on, increased operating noise may occur.

After approx. 2 ½ days the appliance switches to normal operation.


Switching super freezing on or off

1. Select the freezer compartment by tapping the temperature display.
2. Tap  button.

When the function is switched on, a pop-up window appears, explaining the function.

3. Tap **Continue**.

The pop-up window is closed, and you return to the main screen.

Note: If you have made a setting to stop the pop-up window from appearing, you can return to the main screen with the  button. If the button is not pressed, the appliance saves the setting and automatically returns to the main screen after a few seconds.

Eco mode

Eco mode switches the appliance to energy-saving operation.

The appliance automatically sets the following temperatures:

- Refrigerator compartment: +43 °F (6 °C)
- Freezer compartment: +3 °F (-16 °C)

Vacation mode

If leaving the appliance for a long period of time, you can switch it over to energy-saving holiday mode.

Do not store any food in the refrigerator compartment during this time.

The appliance automatically sets the following temperatures:

- Refrigerator compartment: +57 °F (+14 °C)
 - Freezer compartment: unchanged
- Ice cube production is deactivated.

Sabbath mode

All non-essential functions are switched off so you can also use the appliance on the Sabbath.

Once Sabbath mode is switched on, you can also use the appliance on the Sabbath.

- You can select a time between 1–96 hours.
- After the selected time elapses, the appliance switches to normal operation.
- To end Sabbath mode before the selected time elapses, touch the display and tap **Switch off**.

The appliance switches off the following:

- Ice maker
- Audible signals
- Interior light
- Messages on the display
- Background illumination of display is reduced

Switching ice cube production on or off

CAUTION

Damage to the appliance!

Never store bottles or food in the ice cube container, even for short periods. This can block and damage the ice maker.

Ice cube production starts as soon as the appliance has reached the set temperature.

Note: Ice cube production stops automatically when the ice cube container is full.

Switching Prevent condensation on or off

This function is only available with 3-door appliances. 3-door appliances are equipped with a door pillar featuring condensation protection.

You can open the left-hand door of the refrigerator compartment without opening the right-hand door beforehand.

CAUTION

Never unfold the door pillar when the door is open! It can get jammed when closing the door and become damaged, or itself damage the front panel of the right-hand door.

A heater is built into the door pillar to prevent condensation. Switching condensation protection on or off switches the heater on or off.

→ "Condensation protection (only on 3-door appliances)" on page 13

Home Connect

This appliance is Wi-Fi-capable and can be controlled remotely using a mobile device.

Note: Wi-Fi is a registered trade mark of the Wi-Fi Alliance.

In the following cases, the appliance functions like a refrigerator without a network connection and can still be operated manually via the controls:

- The appliance is not connected to a home network.
- The availability of the Home Connect function depends on the availability of Home Connect services in your country. Home Connect services are not available in every country. You can find more information on www.home-connect.com.

Note: Please observe the safety information in this instruction manual. Ensure that this is also observed if you operate the appliance via the Home Connect app and are not at home when doing so.

→ "Important safety instructions" on page 5

Follow the instructions in the Home Connect app as well.

Setting up Home Connect

Notes

- Wait at least 2 minutes after switching on the appliance before setting up Home Connect. Only then is internal appliance initialization complete.
- Take note of the Home Connect supplementary sheet, which is supplied with the appliance or is available for download at www.bosch-home.com together with the instructions. Enter the E-number of your appliance in the search field.

You can connect your appliance to the home WLAN network (Wi-Fi) in 3 basic steps.

1. Install the app.
2. Connect your refrigerator to the home WLAN network (Wi-Fi).
3. Connect the refrigerator to the Home Connect app.

The first time you open the menu, you will be automatically guided through initial setup. Follow the instructions on the control panel. For further information, please also see the following chapters.

The following submenus can be found in the **Home Connect** menu:

- Switching Wi-Fi on and off
- Connect to app
- Software update
- Deleting network settings

Setting up the connection to the home network (WLAN)

The first time you open the menu, you will be automatically guided through initial setup. Follow the instructions on the control panel.

1. Install the **Home Connect** app on your mobile device.
2. Open the **Home Connect** menu on your refrigerator.
3. Open the app on your mobile device.
4. Log in or register with the app if access is not yet available.
5. Check the router of your home network to see if a WPS function is available for automatic connection.
6. If this function is available, start automatic network connection and follow the instructions on the control panel.
7. Start manual network connection if this function is not available, if you're not sure whether the function is available, or if automatic network connection failed.
The refrigerator temporarily generates its own network for connecting the mobile device.
8. Start manual network connection in the app of your mobile device.

As soon as the refrigerator is connected to the mobile device, a connection between the refrigerator and your home network (WLAN) is established.

Note: If the connection cannot be established, check whether there is sufficient reception.

Verifying signal strength

The signal strength is displayed on the control panel. The signal strength should be at least 1 bar in addition to the dot. If the signal strength is too weak, the connection may be interrupted temporarily.

Improving signal strength

- Place the router closer to the refrigerator.
- Check that screening walls do not interfere with the connection.
- Install a repeater to make the signal stronger.

Connecting the refrigerator to the Home Connect app

Use this menu to connect your refrigerator to mobile devices.

1. Install the **Home Connect** app on your mobile device and log in or register.
2. Open the **Home Connect** menu on your refrigerator.
3. Tap menu item **Connect to app**.
4. Confirm the prompt to display the refrigerator in the app.
5. Open the app and wait until the refrigerator is displayed.
Press **Add** to confirm the connection between the app and the refrigerator.
If the refrigerator is not automatically displayed, click on **Add appliance** in the app and follow the instructions. As soon as your refrigerator is displayed, add it with **+**.
6. Follow the instructions in the app until the process is complete.

Installing updates for the Home Connect software

The refrigerator checks at regular intervals whether updates are available for the Home Connect software.

The note window appears on the control panel when an update is available.

To install the update, tap **Install now**.

Install the update later:

1. Open the **Home Connect** menu.
2. Tap **Software update**.

Note: This menu is only visible if an update is available.


A note window appears.

3. To install the update, tap **Install now**.

Customer Service access

If you contact Customer Service, they can access your appliance and view its status after you have given your consent. You need to have your appliance connected to your home network for this.

Further information about Customer Service access and its availability in your country is available under www.home-connect.com in the Help & Support area.

1. Contact Customer Service.
→ *"Customer service" on page 28*
2. Confirm the start of Customer Service access in the app.
During Customer Service access the symbol  appears on the control panel.
3. As soon as Customer Service has obtained the necessary data, they end access.

Note: You can interrupt remote diagnosis early by switching off Customer Service access in the Home Connect app.

Reset settings

If there is a problem when trying to establish a connection, or if you would like to register the appliance in a different home WLAN network (Wi-Fi), the Home Connect settings can be reset:

1. Open the **Home Connect** menu on your refrigerator.
2. Tap the menu item **Reset settings**.
3. Confirm the prompt to delete the network settings.

To then reconnect the appliance to the home WLAN network (Wi-Fi), perform initial setup again.

→ *"Setting up the connection to the home network (WLAN)" on page 18*

Switch on or off the connection to the home WLAN network (Wi-Fi)

1. Open the **Home Connect** menu on your refrigerator.

Note: The first time you open the menu, you will be automatically guided through initial setup. Follow the instructions on the control panel.

2. Select **Switch off Wi-Fi**.
3. To start the switching off process, press **Continue**.
4. As soon as the connection to the home network has been switched off, the message **Wi-Fi switched off** will appear. Press **OK** to confirm the message.

Note: While the home network connection is switched off, you will no longer be able to operate the appliance with your mobile device.

Information on data protection

The first time your Home Connect appliance is registered on a WLAN home network connected to the Internet (Wi-Fi), your appliance will transmit the following types of data to the Home Connect server (initial registration):

- Unique appliance identification (consisting of appliance codes as well as the MAC address of the installed Wi-Fi communication module).
- Security certificate of the Wi-Fi communication module (to ensure a secure data connection).
- The current software and hardware version of your domestic appliance.
- Status of any previous resetting to factory settings.

This initial registration prepares the Home Connect functions for use and is only required when you want to use these Home Connect functions for the first time.

Note: Please note that the Home Connect functions can be utilized only in conjunction with the Home Connect app. Information on data protection can be called up in the Home Connect app.

Alarm

Door alarm

If the appliance door is open for a long time, the door alarm switches on. A message appears on the control panel.

Switching off the door alarm

- Close the door.

Note: To mute the door alarm, you only have to acknowledge the message on the control panel. If the door remains open a few more minutes, the message will appear again.

Temperature alarm

If the freezer compartment becomes too warm, the temperature alarm is switched on. A message appears on the control panel. The message shows the warmest temperature reached in the freezer compartment.

CAUTION

DURING THE THAWING PROCESS, BACTERIA MAY DEVELOP AND SPOIL THE FROZEN ITEMS.

Do not refreeze partly or completely thawed food.

Refreeze food only after cooking. No longer store the frozen items for the maximum storage period.

Note: The alarm may be actuated without risk to the food in the following cases:

- The appliance is put into service and does not yet contain any food.
- Large quantities of fresh food are placed in the appliance.
- The freezer compartment door has been open too long.

Switching off the temperature alarm

1. Check that the cause of the temperature alarm has been eliminated.
2. Press **Ok** button to acknowledge the message. The message disappears. The control panel again indicates the temperature selected. From this time on the warmest temperature is recalculated and saved.

Refrigerator compartment

The refrigerator compartment is suitable for storing meat, sausages, fish, dairy products, eggs, ready meals and pastries.

The temperature can be set from +36 °F (+2 °C)... +46 °F (+8 °C).

The refrigerator compartment can also be used to store highly perishable groceries in the short to medium term. The lower the selected temperature, the slower the enzymatic and chemical processes and deterioration by microorganisms. A temperature of +39 °F (+4 °C) or lower ensures optimum freshness and safety of the stored groceries.

Note when storing food

Note: Avoid contact between food and the back panel.

Otherwise, the air circulation will be impaired and food or packaging may freeze to the back panel.

- Store fresh, undamaged food.
The quality and freshness will then be retained for longer.
- In the case of ready products and bottled goods, do not exceed the minimum sell-by date or use-by date indicated by the manufacturer.
- To retain aroma, color and freshness, pack or cover food well before placing it into the appliance.
This will prevent flavors being transferred between foods and the plastic parts from becoming discolored.
- Leave warm food and drinks to cool down before placing them into the refrigerator compartment.

Note the chill zones in the refrigerator compartment

The air circulation in the refrigerator compartment creates different chill zones.

Coldest zone

The coldest zone is in the interior at the back panel and in the chill compartment.

Note: Store delicate food (e.g. fish, sausages and meat) in the coldest zone.

Warmest zone

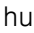

The warmest zone is at the very top of the door.

Note: Store e.g. hard cheese and butter in the warmest zone. Cheese can continue to release its aroma and the butter will still be easy to spread.

Vegetable container with humidity controller

The vegetable container is the optimum storage location for fresh fruit and vegetables. You can adjust the humidity in the vegetable container via the humidity controller and a special seal. This allows fresh fruit and vegetables to be stored up to twice as long as with conventional storage.

The humidity in the vegetable container can be set according to the type and quantity of products to be stored:

- Mainly fruit as well as for a large load – set lower humidity with controller position 
- Mainly vegetables as well as for a mixed or small load – set higher humidity with controller position 

Notes

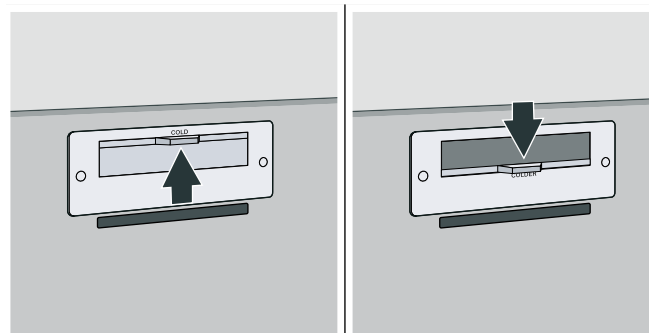
- For optimum preservation of quality and flavor store fruit sensitive to cold (e.g. pineapple, banana, papaya and citrus fruit) and vegetables sensitive to cold (e.g. eggplant, cucumbers, zucchini, peppers, tomatoes and potatoes) outside of the appliance at temperatures of approx. +46 °F (+8 °C) ... +54 °F (+12 °C).
- Condensation may form in the vegetable container depending on the type and quantity of products stored.
Remove condensation with a dry cloth and adjust the humidity in the vegetable container with the humidity controller.

Chill compartment

The chill compartment has lower temperatures than the refrigerator compartment. Temperatures below +32 °F (0 °C) may occur.

Ideal for storing fish, meat and sausage. Not suitable for salads, vegetables and groceries sensitive to cold.

The temperature of the chill compartment can be varied using the ventilation opening. Push the temperature controller down to make the temperature lower. Push the temperature controller up to make the temperature higher.



Freezer compartment

The freezer compartment is suitable for:

- storing frozen food
- making ice cubes
- freezing food

The temperature can be set from -11 °F (-24 °C)... +7 °F (-14 °C).

The freezer compartment can be used to store perishable foods long-term almost without any noticeable reduction in quality, as the low temperatures considerably slow down or stop deterioration. Appearance, flavor and all valuable ingredients are largely retained.

The time between putting fresh food in the freezer compartment and it freezing solid depends on the following factors:

- temperature set
- type of food
- amount of food in the freezer compartment
- quantity and type of storage

Fully utilizing the freezer volume

To place the maximum quantity of frozen food in the freezer compartment:

- Remove the frozen food container (small).
- Store the frozen food in the frozen food container (large).

Purchasing frozen food

- Ensure the packaging is not damaged.
- Check there is a sell-by date.
- The temperature in the supermarket freezer must be 0 °F (-18 °C) or lower.
- Do not interrupt the freezing chain. If possible, transport frozen food in a cool bag and place in the freezer compartment quickly.

When loading products

- Freeze large quantities of food in the top compartment.
This is where it will freeze especially quickly and gently.
- Distribute food in the compartments or frozen food containers.
- Do not bring food which is to be frozen into contact with frozen food.
If required, restack frozen food in the frozen food containers.
- Important for unrestricted air circulation in the appliance:
push in frozen food containers up to the limit stop.

Freezing fresh food

Freeze only fresh and undamaged food.

Food which is boiled, fried or baked is more suitable for freezing than food which is eaten raw.

Before freezing food, make preparations appropriate to the food in order to retain the best possible nutritional value, flavor and color:

- Vegetables: wash, chop, blanch.
- Fruit: wash, pit and perhaps peel, possibly add sugar or ascorbic acid solution.

Information on how to do this can be found in relevant literature.

Suitable for freezing

- Baked goods
- Fish and seafood
- Meat
- Poultry and game
- Vegetables, fruit and herbs
- Eggs without shells
- Dairy products, e.g. cheese, butter and quark
- Ready meals and leftovers, e.g. soups, stews, cooked meat and fish, potato dishes, soufflés and desserts

Not suitable for freezing

- Types of vegetables which are usually eaten raw, e.g. lettuce or radishes
- Unpeeled or hard-boiled eggs
- Grapes
- Whole apples, pears and peaches
- Yoghurt, soured milk, sour cream, creme fraiche and mayonnaise

Packing frozen food

The correct type of packaging and material selection are decisive factors in the retention of the product quality and prevent the development of freezer burn.

1. Place food in packaging.
2. Remove air.
3. Pack food airtight to prevent it from losing flavor or drying out.
4. Label packaging with contents and date of freezing.

Suitable packaging:

- Plastic foil
- Tubular foil made of polyethylene (PE)
- Aluminum foil
- Freezer containers

Suitable closures:

- Rubber bands
- Plastic clips
- Cold-resistant adhesive tape

Unsuitable packaging:

- Wrapping paper
- Greaseproof paper
- Cellophane
- Garbage bags and used grocery bags

Shelf life of frozen food at 0 °F (-18 °C)

Fish, sausage, ready meals, and cakes and pastries:	up to 6 months
Meat, poultry:	up to 8 months
Vegetables, fruit:	up to 12 months

Thawing frozen food

The thawing method must be adjusted to the food and application in order to retain the best possible product quality.

Thawing methods:

- In the refrigerator compartment (especially suitable for animal-based foods such as fish, meat, cheese)
- At room temperature (bread)
- In the microwave (food for immediate consumption or immediate preparation)
- In the oven/cooker (food for immediate consumption or immediate preparation)

CAUTION

Do not refreeze partly or completely thawed food. You can only refreeze food once it has been cooked (boiled or fried).

The frozen food can no longer be stored for the maximum duration.

Defrosting

Freezer compartment

The fully automatic NoFrost system ensures that the freezer compartment remains frost-free. Defrosting is no longer required.

Cleaning

CAUTION

AVOID DAMAGING THE APPLIANCE AND THE EQUIPMENT.

- Do not use abrasive, chloride-based or acidic cleaning agents or solvents.
- Do not use scouring or abrasive sponges. The metallic surfaces may corrode.
- Never clean the shelves or bins in the dishwasher. The parts may become deformed.

Cleaning the display

The change in temperature and humidity can cause the controls to steam up.

Use a clean micro-fiber cloth for cleaning.

Cleaning the appliance interior

Proceed as follows:

1. Press the **main On/Off switch**.
2. Take out food and store in a cool location. Place ice pack (if available) on the food.
3. Clean the appliance with a soft cloth, lukewarm water and a little pH-neutral washing-up liquid.

CAUTION

The rinsing water must not run into the light or through the drainage hole into the evaporation area.

4. Wipe door seal with clear water and dry thoroughly with a cloth.
5. Switch appliance back on and put in food.

Cleaning the equipment

To clean, take the removable parts out of the appliance.

→ "Equipment" on page 14

Care instructions for stainless steel surfaces

When taking care of and cleaning stainless steel surfaces, use only cleaning agents suitable for stainless steel and a stainless steel cleaning cloth.

You can purchase a suitable stainless steel cleaning cloth from customer service.

To prevent visible scratches, clean the stainless steel surface in the direction of the structure.

Odors

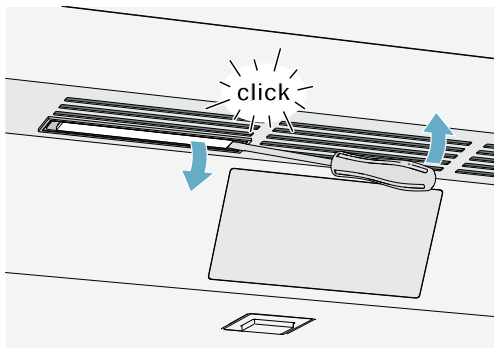
If you experience unpleasant odors:

1. Switch off the appliance with the main On/Off switch.
2. Take all food out of the appliance.
3. Clean the inside.
→ "Cleaning" on page 23
4. Clean all packaging.
5. Seal strong-smelling food in order to prevent odors from forming.
6. Switch the appliance on again.
7. Store food in the appliance.
8. Check whether the formation of odors is still occurring after 24 hours.
9. Change the odor filter.
→ "Changing the odor filter" on page 24

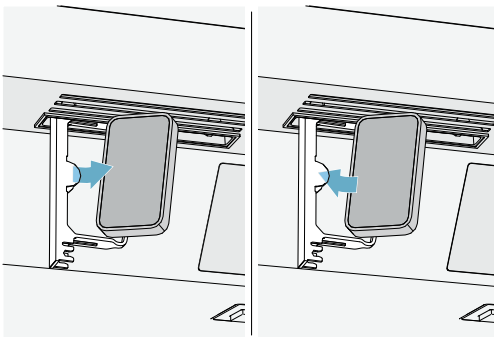
Changing the odor filter

Replacement filters are available from your customer service.

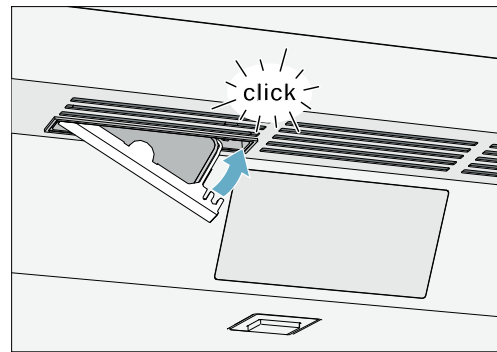
1. Open the filter holder with a slotted screwdriver.



2. Remove the used odor filter and replace with a new odor filter.



3. Close the filter holder.



Lighting

Your appliance features a maintenance-free LED light.

Only customer service or authorized technicians may repair the light.

Noises

Normal noises

Droning: A motor is running, e.g. refrigerating unit, ventilator.

Bubbling, buzzing or gurgling: Refrigerant is flowing through the tubes.

Clicking: Motor, switches or solenoid valves are switching on or off.

Cracking: Automatic defrosting is running.

Preventing noises

Appliance is not level: Align appliance using a water level. If required, place a little packing underneath.

Bins, shelves or storage compartments wobble or stick: Check the removable equipment and re-insert if required.

Faults – what to do?

Before you call customer service, use this table to check whether you can rectify the fault yourself.

Appliance

Temperature differs greatly from the set value.	
	Switch off appliance for 5 minutes. → <i>"Switching off and disconnecting the appliance" on page 16</i> If the temperature is too warm, check temperature again after a couple of hours. If the temperature is too cold, check temperature again on the following day.
Displays do not light up.	
The power plug has not been inserted properly.	Connect the power plug.
The fuse has tripped.	Check the fuses.
The power has failed.	Check whether the power is on.
The refrigeration unit is switching on more frequently and for longer.	
The appliance was opened frequently.	Do not open the appliance unnecessarily.
The ventilation openings are covered up.	Remove obstacles.
Large quantities of fresh food have been put in.	Switch on super cooling promptly in advance.
Appliance is not cooling, display and lighting are lit.	
Demo mode is switched on.	Switch demo mode off. → <i>"Settings" on page 13</i>

Ice maker

The ice maker is not functioning.	
Ice cube production is switched off.	Switch on ice cube production.
Freezer compartment is too warm.	Set the temperature lower. → <i>"Operating the appliance" on page 16</i>
Ice cube container is not properly inserted.	Insert ice cube container fully.
Ice maker without power.	Call customer service. → <i>"Customer service" on page 28</i>
No water supply.	Check water connection and contact technician if necessary.
Low water pressure.	Only connect appliance to pipes with sufficient water pressure.
Kink in water hose.	Turn off water supply, straighten out kink. Replace water hose, if necessary.
Too few or deformed ice cubes, water pressure lower than usual.	
After switching on or removing many ice cubes, there will be too few in the ice cube container.	It takes around 24 hours for an empty ice cube container to fill up.
Ice cube production stops even though the ice cube container is still not full.	Do not store the ice shovel on the ice in the ice cube container. Otherwise, the sensor will not detect the actual fill level of the container.
Low water pressure.	Only connect appliance to pipes with sufficient water pressure.
The water filter is blocked or needs to be replaced.	Replace water filter.
Freezer compartment is too warm.	Set the temperature lower. → <i>"Operating the appliance" on page 16</i>
Water is leaking out of the appliance.	
Water connection is not tight.	Check if the connections are fastened firmly and the water hose is undamaged. If the water hose is damaged, contact customer service and have it replaced. Replacement must be performed by customer service or a similarly qualified person only. Use original parts supplied by the manufacturer only.



Customer service

If you are unable to rectify the fault, please contact our customer service. We will always find an appropriate solution in order to avoid unnecessary visits by engineers.

The contact information for your nearest customer service can be found here or on the enclosed customer service list.


When calling, please state the product number (E-Nr.) and the production number (FD), which can be found on the rating plate.

→ "Getting to know your appliance" on page 11

Trust the expertise of the manufacturer. You can therefore be sure that the repair is carried out by trained service engineers who carry original spare parts for your home appliances.

Appliance self-test

Your appliance features a self-test program which displays the fault your customer service can rectify.

1. Press  button to open the settings.
2. Tap the menu item **Self-test**.
3. Tap **Start**.
The self-test program starts.
4. If faults are present, they will be displayed.
In this case, follow the instructions on the display.
5. The appliance restarts.
6. A message that the self-test has finished is displayed for 10 seconds.

When the self-test has ended, the appliance switches to normal operation.

Repair order and advice on faults

Contact information for all countries can be found on the enclosed customer service list.

GB	0344 892 8979	Calls charged at local or mobile rate
IE	01450 2655	0.03 € per minute at peak. Off peak 0.0088 € per minute.
US	800 944 2904	toll-free

fr Table des matières

 Consignes de sécurité importantes	31	 Home Connect.	45
Définitions	31	Configurer Home Connect	45
À propos de cette notice	31	Connecter le réfrigérateur à l'application Home Connect	46
Introduction	31	Installer une mise à jour du logiciel Home Connect	46
Restrictions au cercle d'utilisateurs	31	Accès au service à la clientèle	46
Risque d'explosion	31	Réinitialiser les réglages	46
Risque d'électrocution	32	Activer ou désactiver la connexion au réseau domestique WLAN (Wi-Fi)	46
Risque d'engelures provoquées par le froid	32	Remarque sur la protection des données	47
Risque de blessure	32	 Alarme.	47
Risque d'incendie/risques dus au fluide frigorigène	32	Alarme de porte	47
Risque d'incendie	32	Alarme de température	47
Risque d'asphyxie	33	 Compartment réfrigérateur	48
Dégâts matériels	33	Consignes de rangement	48
Poids	33	Tenez compte des différentes zones froides dans le compartiment réfrigérateur	48
Avertissements de la Proposition 65 de l'État de la Californie	33	Bac à légumes avec régulateur d'humidité	48
 Utilisation conforme	34	Compartiment froid	49
 Protection de l'environnement	34	 Compartment congélateur	49
Emballage	34	Utiliser l'intégralité du volume de congélation	49
Appareil usagé	34	Achats de produits surgelés	49
 Installation et branchement	35	Consignes de rangement	49
Contenu de livraison	35	Congeler des produits frais	49
Données techniques	35	Décongélation des produits	50
Installer l'appareil	35	 Dégivrer l'appareil	51
Vérifier la cavité d'installation	35	Compartiment congélateur	51
Installation juxtaposée	35	 Nettoyage	51
Économiser de l'énergie	36	Nettoyer l'écran	51
Avant la première utilisation	37	Nettoyer le compartiment intérieur de l'appareil	51
Raccordement de l'eau	37	Nettoyer l'équipement	51
Connexion électrique	37	Consignes d'entretien pour les surfaces en inox	51
 Présentation de l'appareil	38	 Odeurs.	52
Appareil à 2 portes	38	Changez le filtre à odeurs	52
Appareil à 3 portes	39	 Éclairage	53
Éléments de commande	40	 Bruits.	53
Équipement	41	Bruits normaux	53
 Utiliser l'appareil	43	Prévenir les bruits	53
Allumer l'appareil	43	 Que faire en de problème.	54
Arrêter et remettre l'appareil	43	Appareil	54
Régler la température	43	Distributeur de glaçons	55
Super-réfrigération	43		
Supercongélation	44		
Mode éco	44		
Mode Vacances	44		
Mode Sabbat	44		
Lancer et arrêter la production de glaçons	44		
Activer ou désactiver la protection anti-condensation	44		



Service à la clientèle	56
Autodiagnostic de l'appareil	56
Commande de réparation et conseils en cas de problèmes	56

Consignes de sécurité importantes

VEUILLEZ LIRE ET CONSERVER CES CONSIGNES!

Définitions

AVERTISSEMENT

Cet avertissement indique un risque pouvant avoir des conséquences graves, voire mortelles.

ATTENTION

Cet avertissement indique un risque pouvant avoir des conséquences mineures, voire modérées.

AVIS : Cette mise en garde indique un risque de dommage à l'appareil.

Remarque : Ce symbole sert à identifier des renseignements importants ou des conseils.

À propos de cette notice

- Veuillez lire et respecter le contenu de cette notice d'utilisation et de montage. Elle contient des remarques importantes concernant l'installation, l'utilisation et l'entretien de l'appareil.
- Le fabricant décline toute responsabilité si vous ne tenez pas compte des remarques et avertissements figurant dans la notice de montage et celle d'utilisation.
- Veuillez conserver tous ces documents en vue d'une réutilisation ultérieure ou pour le cas où l'appareil changerait de propriétaire.

Introduction

- Cet appareil est conforme aux dispositions de sécurité applicables aux appareils électriques.
- Le circuit frigorifique a subi un contrôle d'étanchéité.

Restrictions au cercle d'utilisateurs

- Prévenez les dangers pour les enfants et les personnes à risque.
- Les enfants et les personnes souffrant d'un handicap physique, sensoriel ou mental ou sans l'expérience ou les connaissances nécessaires peuvent utiliser cet appareil uniquement sous surveillance, après avoir été dûment renseignés sur le fonctionnement de l'appareil et après en avoir compris les dangers qui en émanent.
- Les enfants doivent être surveillés afin d'éviter qu'ils ne jouent avec l'appareil.

Risque d'explosion

- Si les orifices de ventilation de l'appareil sont fermés, un mélange gaz-air inflammable peut se produire si le circuit de réfrigération fuit.
Ne fermez pas les orifices de ventilation dans le boîtier de l'appareil ou dans le boîtier d'installation.
- N'utilisez pas d'appareils électriques à l'intérieur de l'appareil (par ex. appareils de chauffage, machine à glaçons).
- Ne stockez dans l'appareil aucun produit contenant des gaz propulseurs combustibles (bombes aérosols par exemple) et aucune substance explosive.
- Ne conservez les bouteilles de boissons fortement alcoolisées qu'hermétiquement fermées et debout.
- Hormis les instructions du fabricant, ne prenez aucune mesure visant à accélérer le dégivrage de l'appareil.

Consignes de sécurité importantes

VEUILLEZ LIRE ET CONSERVER CES CONSIGNES!

Risque d'électrocution

Toute installation ou réparation incorrecte peut engendrer des risques considérables pour l'utilisateur.

- Veillez à ne pas coincer ou endommager le câble d'alimentation en posant l'appareil.
- Dans une optique préventive, débranchez l'appareil dès que le câble d'alimentation est endommagé. Faites remplacer le câble secteur par le fabricant, le service à la clientèle ou une personne présentant une qualification équivalente.
- N'utilisez pas de rallonge, de bloc multiprise ou d'adaptateur.
- Débranchez la fiche de contact ou ramenez le disjoncteur en position éteinte avant d'effectuer l'entretien ou les opérations de montage autorisées sur l'appareil.
Avant de nettoyer l'appareil, actionnez l'**interrupteur principal Marche / Arrêt** pour éteindre l'appareil.
Les clayettes en verre et autres équipements peuvent être déplacés sans danger pendant que l'appareil est en marche.
- Ne retirez ni sectionnez jamais le troisième conducteur (conducteur de mise à la terre) du cordon d'alimentation.
- Ne décongelez et ne nettoyez jamais l'appareil avec un nettoyeur à vapeur. La vapeur risque d'atteindre des pièces électriques et de provoquer un court-circuit.
- Ne confiez la réparation ou le remplacement de l'appareil, du cordon et des accessoires qu'au fabricant ou à un technicien autorisé.
- N'utilisez que des pièces de rechange d'origine venant du fabricant.
Le fabricant garantit que ces pièces d'origine remplissent les exigences de sécurité.

Risque d'engelures provoquées par le froid

- Ne portez jamais des produits surgelés à la bouche immédiatement après les avoir sortis du compartiment congélateur.
- Évitez tout contact prolongé de la peau avec le produit congelé, la glace et les tubulures présents dans le compartiment congélateur.

Risque de blessure

- Les récipients contenant des boissons gazeuses risquent d'éclater.
- Ne rangez jamais de boissons gazeuses dans le compartiment congélateur.



Risque d'incendie/risques dus au fluide frigorigène

Dans les tubulures du circuit frigorifique circule une petite quantité de R600a, un fluide frigorigène écologique mais combustible. Il n'abîme pas la couche d'ozone et n'accroît pas l'effet de serre. Le fluide frigorigène risque en fuyant de blesser les yeux ou de s'enflammer.

- Ne pas endommager les tubulures.

Si les tubulures ont été endommagées :

- Eloignez l'appareil de toute flamme nue ou source d'inflammation.
- Aérez la pièce.
- Éteignez l'appareil puis débranchez la fiche de contact de la prise de courant.
- Appelez le service à la clientèle.



Risque d'incendie

Les blocs multiprises ou blocs secteur portables peuvent surchauffer et provoquer un incendie.

- N'utilisez pas de blocs multiprises ni de blocs secteur portables derrière l'appareil.

Consignes de sécurité importantes

VEUILLEZ LIRE ET CONSERVER CES CONSIGNES!

Risque d'asphyxie

- Appareils équipés d'une serrure : rangez la clé hors de portée des enfants.
- Ne confiez jamais l'emballage et ses pièces constitutives aux enfants.

Dégâts matériels

Pour éviter des dégâts matériels :

- Ne vous servez jamais du socle, des glissières ou des portes comme marchepieds et ne vous appuyez jamais dessus.
- Veillez à ce que les pièces en matière plastique et les joints de porte soient exempts d'huile et de graisse.
- Pour débrancher, ne saisissez que la fiche mâle, pas le cordon de branchement.


Poids

L'appareil est très lourd. Il faut être au moins 2 deux personnes pour installer et transporter l'appareil.

→ *"Installation et branchement"*
à la page 35

Avertissements de la Proposition 65 de l'État de la Californie

Ce produit pourrait contenir un produit chimique reconnu par l'État de la Californie comme cancérigène ou ayant des effets nocifs sur la reproduction. Par conséquent, l'emballage de votre produit pourrait porter l'étiquette suivante, comme requis par la Californie :

<p>STATE OF CALIFORNIA PROPOSITION 65 WARNING: / AVERTISSEMENT ISSUE DE LA PROPOSITION 65 DE L'ÉTAT DE LA CALIFORNIE:</p>	
	<p>WARNING / AVERTISSEMENT</p>
<p>Cancer and Reproductive Harm / Cancer et dommages à la reproduction - www.P65Warnings.ca.gov.</p>	

Utilisation conforme

Utilisez cet appareil

- uniquement pour réfrigérer et congeler des produits alimentaires et pour préparer de la glace.
- Uniquement dans un foyer et dans l'environnement domestique.
- Uniquement en conformité avec la présente notice d'utilisation.

Cet appareil est conçu pour une utilisation jusqu'à une altitude maximale de 2000 m.

Protection de l'environnement

Emballage

Tous les matériaux sont non polluants et recyclables :

- Éliminez l'emballage dans le respect de l'environnement.
- Veuillez vous informer sur les modes d'élimination des déchets auprès de votre revendeur ou de l'administration publique.

Appareil usagé

L'élimination dans le respect de l'environnement permet de récupérer de précieuses matières premières.

AVERTISSEMENT

LES ENFANTS RISQUE DE S'ENFERMER DANS L'APPAREIL ET DE S'ASPHYXIER. !

Avant d'envoyer l'appareil au recyclage :

- Démonter la porte.
- Pour dissuader les enfants de grimper dans l'appareil, ne retirez pas les clayettes et les bacs !
- Éloignez les enfants de l'appareil qui a cessé de servir.

ATTENTION

LE FLUIDE FRIGORIGÈNE ET DES GAZ NOCIFS PEUVENT SE DÉGAGER.

Veillez à ne pas endommager les tubulures du circuit frigorifique, ni l'isolant.

1. Débranchez la fiche de contact de la prise de courant.
2. Coupez le câble de raccordement secteur.
3. Acheminez l'appareil au service d'élimination approprié.



Installation et branchement

Contenu de livraison

Après avoir déballé le produit, inspectez toutes les pièces pour détecter d'éventuels dégâts dus au transport.

En cas de réclamation, veuillez vous adresser au revendeur auprès duquel vous avez acquis l'appareil ou auprès de notre service à la clientèle.

→ "Service à la clientèle" à la page 56

La livraison comprend les pièces suivantes :

- Appareil encastrable
- Équipement (selon le modèle)
- Matériel de montage
- Mode d'emploi
- Notice de montage
- Carnet de service à la clientèle
- Pièce annexe de la garantie
- Informations relatives à la consommation d'énergie et aux bruits

Données techniques

La plaque signalétique mentionne le fluide frigorigène, le volume utile ainsi que d'autres renseignements.

→ "Présentation de l'appareil" à la page 38

Installer l'appareil

Lieu d'installation

Selon le modèle, le poids de l'appareil peut atteindre 460 kg. Le plancher doit être suffisamment stable ; il ne doit pas s'affaisser. Renforcez le plancher au besoin.

Vérifier la cavité d'installation

La cavité doit remplir les critères suivants :

- L'équerre antibasculement doit être montée
- La cavité doit avoir une profondeur d'au moins 24 po (610 mm) ou de 25 po (635 mm) pour une installation affleurante.
- à angle droit
- stable – les parois latérales et le plafond doivent avoir une épaisseur d'au moins 5/8 po (16mm) et être reliés au plancher ou au mur solidement
- Profondeur des parois latérales raccourcies d'au moins 4 po (100 mm)

Installation juxtaposée

Si vous optez pour une installation juxtaposée, suivez les instructions à cet effet dans le manuel d'installation.

Si une paroi de séparation est nécessaire entre les appareils, cette dernière doit avoir une largeur d'au moins 5/8 po (16 mm).

Économiser de l'énergie

Si vous respectez les instructions suivantes, votre appareil consommera moins de courant.

Remarque : L'agencement des pièces d'équipement n'a aucune influence sur la consommation d'énergie de l'appareil.

Installer l'appareil	
Mettez l'appareil à l'abri des rayons du soleil.	En présence de températures ambiantes basses, l'appareil doit réfrigérer moins souvent et il consomme donc moins de courant.
Installer l'appareil à la plus grande distance possible d'un radiateur, d'une cuisinière et d'autres sources de chaleur :	
Minimum 1 1/4" (3 cm) d'une cuisinière électrique ou à gaz.	
Minimum 1 1/4" (30 cm) d'un appareil de chauffage à l'huile ou au charbon.	
Choisissez un lieu d'installation où règne une température ambiante d'environ 68 °F (20 °C).	
Ne recouvrez et ne bouchez pas les orifices d'aération.	L'appareil consomme moins de courant si l'air chaud peut s'échapper.
Aérez quotidiennement la pièce.	
Utilisation de l'appareil	
N'ouvrez la porte de l'appareil que brièvement.	L'air dans l'appareil ne se réchauffe pas aussi fortement. L'appareil doit réfrigérer plus rarement et consomme de la sorte moins d'électricité.
Transportez les produits alimentaires achetés dans un sac isotherme et rangez-les rapidement dans l'appareil.	
Attendez que les plats chauds aient refroidi avant de les ranger dans l'appareil.	
Pour décongeler les produits congelés, rangez-les dans le compartiment réfrigérateur pour profiter du froid des produits congelés.	
Laissez toujours un peu de place entre les produits alimentaires et la paroi arrière.	L'air peut circuler de cette manière et l'humidité de l'air demeure constante. L'appareil doit réfrigérer plus rarement et consomme de la sorte moins d'électricité.
Emballez hermétiquement les produits alimentaires.	
Ne recouvrez et ne bouchez pas les orifices d'aération.	L'appareil consomme moins de courant si l'air chaud peut s'échapper.
Une fois par an, passez l'aspirateur au dos de l'appareil.	

Avant la première utilisation

1. Retirez la documentation informative, les rubans adhésifs et la feuille protectrice.
2. Nettoyez l'appareil.
→ "Nettoyage" à la page 51

Raccordement de l'eau

ATTENTION

- L'installation et le raccordement de l'appareil doit être réalisé par un spécialiste selon les instructions de montage ci-jointes.
- Afin d'éviter d'endommager l'appareil ou d'en perturber le fonctionnement, il est impératif de le brancher uniquement à une prise d'eau potable.
- Installez une soupape d'arrêt afin de prévenir les dégâts d'eau.

Pression hydraulique de la conduite d'eau potable.

ATTENTION

Si la pression hydraulique excède la valeur maximale, faites installer un limiteur de pression entre la conduite d'eau potable et le kit de tuyaux afin d'éviter d'endommager l'appareil.

Remarque : Une pression hydraulique trop basse perturbe certaines fonctions de base de l'appareil.

- Au moins 0,2 Mpa (2 bars / 29 psi)
- Maximum 0,8 Mpa (8 bars / 116 psi)

Connexion électrique

ATTENTION

Ne raccordez pas l'appareil à une fiche électronique d'économie d'énergie.

Remarque : Vous pouvez raccorder l'appareil à des onduleurs pilotés par le réseau et pilotés en onde sinusoïdale.

Les onduleurs pilotés par le réseau s'utilisent sur les installations photovoltaïques directement raccordées au réseau public d'électricité. Dans les solutions en îlot, vous devrez utiliser des onduleurs pilotés en onde sinusoïdale. Les solutions en îlot, par exemple sur les bateaux ou les refuges de montage, n'ont pas de raccordement direct au réseau public d'électricité.

1. Après l'installation de l'appareil, attendez au moins 1 heure avant de le raccorder afin d'éviter d'endommager le compresseur.
2. Assurez-vous que la prise murale est correctement installée et satisfait aux critères.

Critères pour la prise murale

Prise de	110 V ... 120 V
Fil de terre	60 Hz
Fusible	10 A ... 16 A

Charge maximale simultanée

Appareil	6 A
----------	-----

3. Raccordez l'appareil à une prise à proximité. Cette prise doit rester accessible même une fois l'appareil installé.
Si l'accès libre est impossible, un dispositif de coupure omnipolaire doit être installé dans l'installation à câblage fixe conformément aux réglementations d'installation.

AVERTISSEMENT

RISQUE D'ÉLECTROCUTION !

N'utilisez pas de rallonge, de bloc multiprise ou d'adaptateur.

L'appareil doit être correctement mis à la terre.

Ne retirez ni sectionnez jamais le troisième conducteur (conducteur de mise à la terre) du cordon d'alimentation.

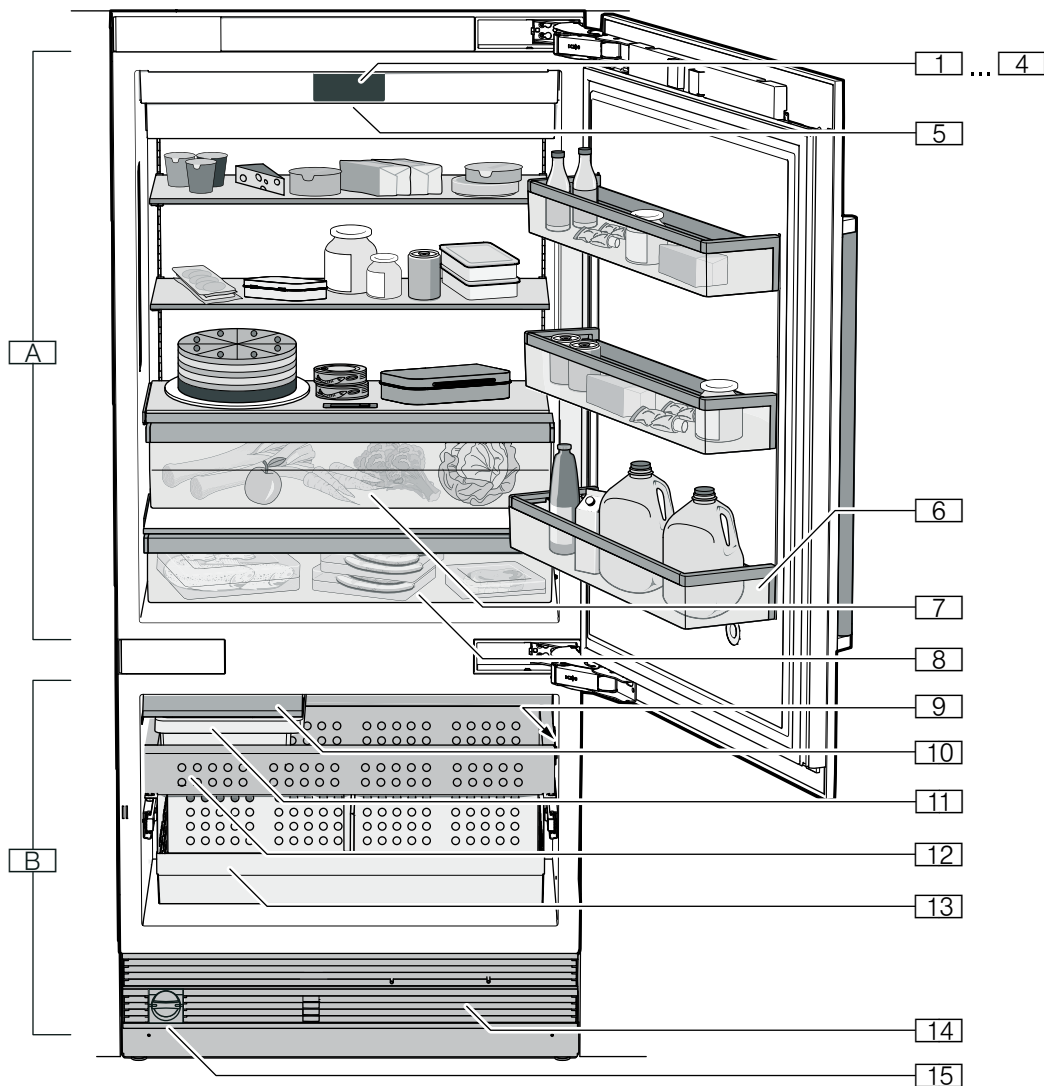
AVERTISSEMENT

RISQUE D'ÉLECTROCUTION !

Si la longueur du cordon d'alimentation est insuffisante, abstenez-vous à tout prix d'utiliser une rallonge ou un bloc multiprise. Contactez plutôt le service à la clientèle pour des solutions de rechange.

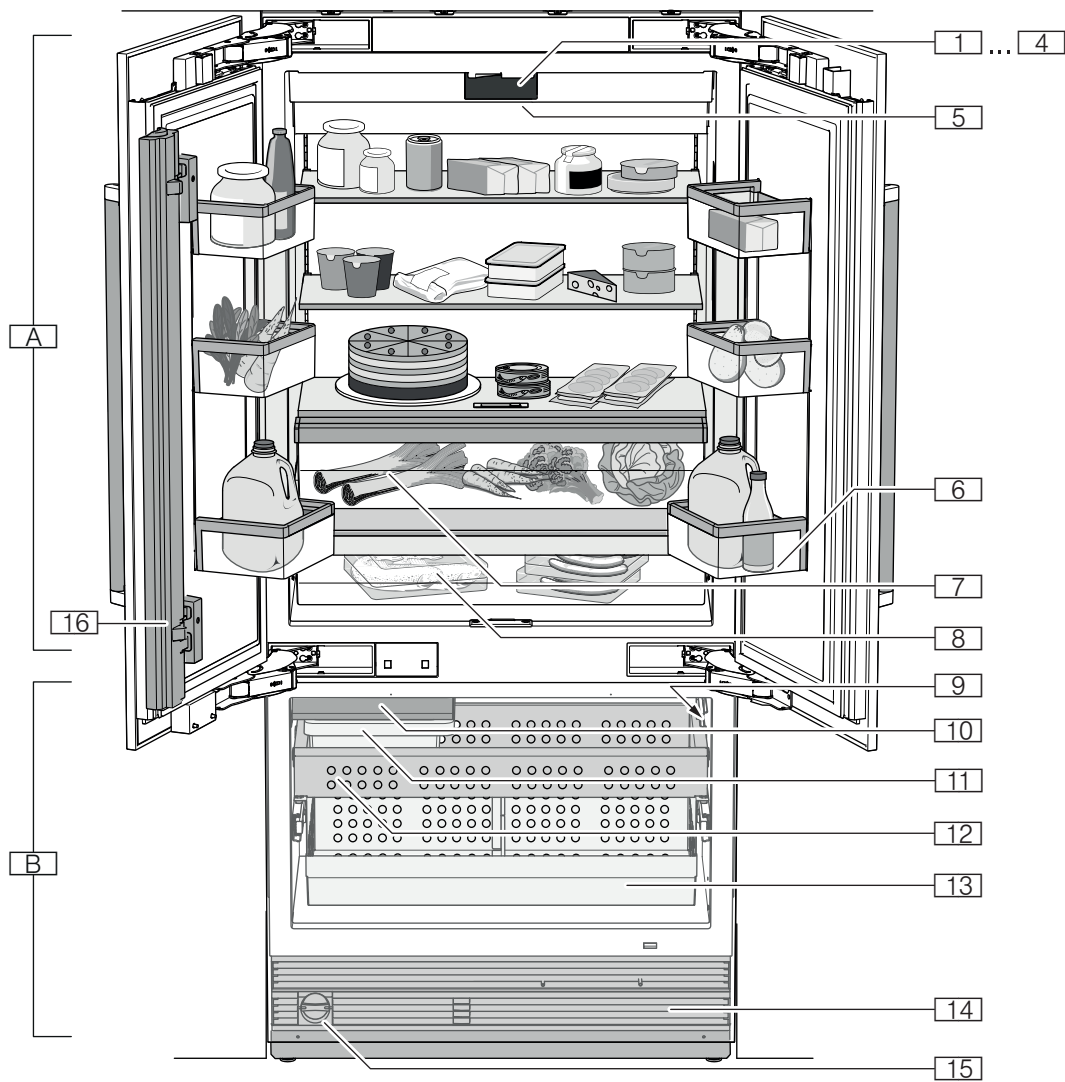
Présentation de l'appareil

Appareil à 2 portes



- A Compartiment réfrigérateur
- B Compartiment congélateur

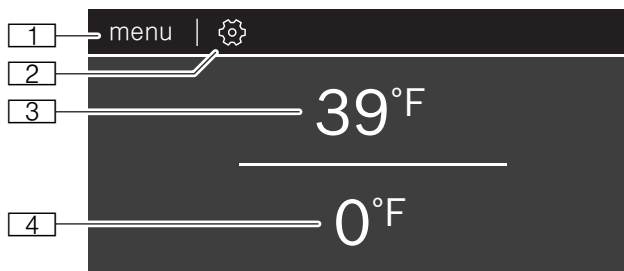
- 1...4 Éléments de commande
- 5 Interrupteur principal marche/arrêt
- 6 Clayette pour grandes bouteilles
- 7 Bac à légumes avec régulateur d'humidité
- 8 Compartiment froid
- 9 Plaque signalétique
- 10 Distributeur de glaçons
- 11 Bac à glaçons
- 12 Bac à produits congelés
- 13 Bac à produits congelés (grand)
- 14 Prise d'air
- 15 Filtre à eau


Appareil à 3 portes

- A** Compartiment réfrigérateur
- B** Compartiment congélateur

- 1...4** Éléments de commande
- 5** Interrupteur principal marche/arrêt
- 6** Clayette pour grandes bouteilles
- 7** Bac à légumes avec régulateur d'humidité
- 8** Compartiment froid
- 9** Plaque signalétique
- 10** Distributeur de glaçons
- 11** Bac à glaçons
- 12** Bac à produits congelés
- 13** Bac à produits congelés (grand)
- 14** Prise d'air
- 15** Filtre à eau
- 16** Montant de porte avec protection anti-condensation

Éléments de commande



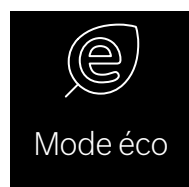
- 1 Touche **menu**
Ouvre la sélection du mode d'opération.
- 2 Touche 
Ouvre le menu **Réglages**.
→ "Réglages" à la page 40
- 3 Affichage de la température du compartiment réfrigération
Affiche la température réglée en °C/°F.
- 4 Affichage de la température dans le compartiment congélateur
Affiche la température réglée en °C/°F.

Sélect. mode opération

Pour ouvrir la sélection du mode d'opération, appuyez sur la touche **menu**.

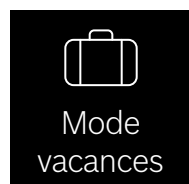
Appuyez sur un mode d'opération pour l'activer. Si un mode d'opération est activé, il apparaît sur fond rouge dans le menu **Sélect. mode opération**.

Une fenêtre apparaît avec des renseignements supplémentaires sur le mode d'opération.



Mode éco

Le mode éco vous permet d'économiser de l'énergie lors du fonctionnement de l'appareil.
→ "Mode éco" à la page 44



Mode Vacances

Économisez de l'énergie en cas d'absence prolongée.
→ "Mode Vacances" à la page 44



Mode Sabbat

En mode sabbat, toutes les fonctions non essentielles sont éteintes afin que vous puissiez utiliser l'appareil même le jour du Sabbat.
→ "Mode Sabbat" à la page 44

Réglages

Pour ouvrir les réglages, appuyez sur .



Langue

Modifiez la langue d'affichage.



Home Connect

Connectez votre réfrigérateur à votre terminal mobile.
→ "Home Connect" à la page 45



Sons

Réglez le volume du son des touches et des signaux.



Luminosité de l'afficheur

Réglez la luminosité de l'écran



Unité de température

Sélectionner unité de température °C/°F.



Production cubes de glace

Lancez ou interrompez la production cubes de glace. L'arrêt de la production de cubes de glace est utile avant le nettoyage de l'appareil ou en cas d'absence prolongée.



Compteur filtre à eau

Réinitialisez le compteur du filtre à eau si vous changez le filtre à eau. Si vous le remplacez par une cartouche filtrante avec dérivation, vous pourrez désactiver le compteur du filtre à eau.

→ "Filtre à eau" à la page 42



Paramètres d'usine

Pour réinitialiser les paramètres d'usine de l'appareil.



Autodiagnostic

Pour lancer une analyse des erreurs de votre appareil.



Protect. anti-condens. (exclusif à l'appareil à 3 portes)

Le montant de la porte de l'appareil à trois portes contient un élément chauffant afin de prévenir toute condensation. Ce menu vous permet d'activer ou d'éteindre la protection anti-condensation.

→ "Activer ou désactiver la protection anti-condensation" à la page 44



Mode démo

Remarque : Ne remplissez pas l'appareil de produits alimentaires en mode démo, car il demeure à la température de la pièce.

La fonction de réfrigération de l'appareil est désactivée. Toutes les autres fonctions sont à votre disposition.

Ce point de menu reste allumé pendant 3 minutes après la mise en route de l'appareil. Pour activer ou éteindre le mode démo ultérieurement, vous devez redémarrer l'appareil. Le mode redevient visible pendant 3 minutes.

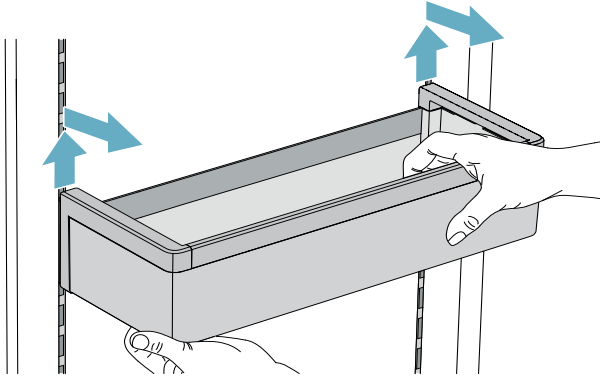
Équipement

(selon le modèle)

Support

Vous pouvez retirer les compartiments et en modifier la hauteur :

1. Soulevez les compartiments et retirez-les.

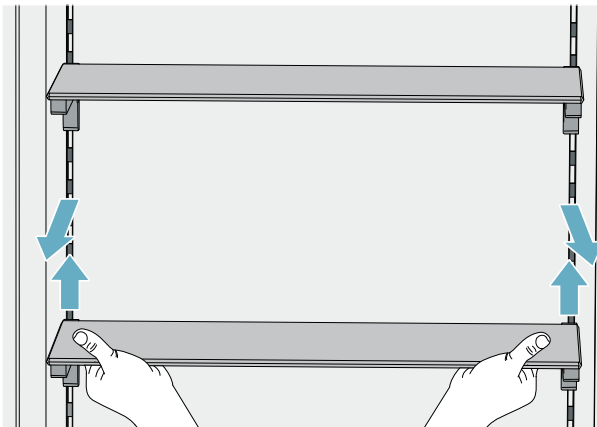


2. Pour remettre un compartiment en place, positionnez les crochets à l'arrière de celui-ci à la même hauteur afin que le compartiment soit bien droit.

Remarque : Insérez prudemment le compartiment afin d'éviter d'égratigner l'appareil.

Clayette

Vous pouvez retirer la clayette et en modifier la position :



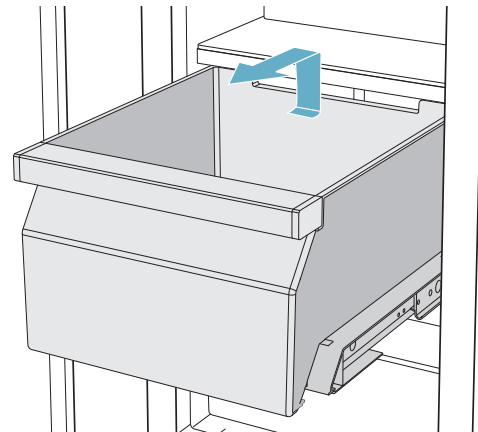
1. Soulevez la clayette et retirez-la.
2. Pour la remettre en place, positionnez les crochets à l'arrière de la clayette à la même hauteur afin qu'elle soit bien droite.

Remarque : Posez prudemment la clayette afin d'éviter d'égratigner l'appareil.

Bac

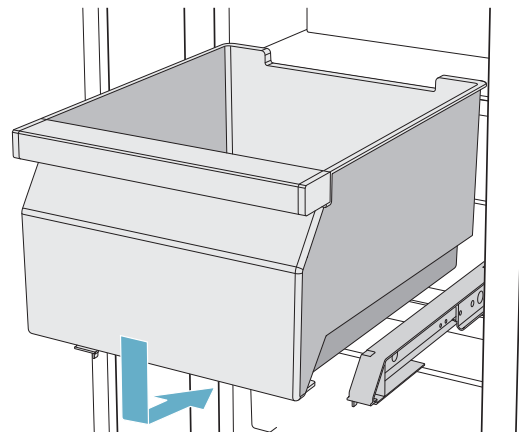
Vous pouvez retirer le bac :

- Poussez le bac vers l'arrière,
- soulevez-le par l'arrière et sortez-le.



Vous pouvez insérer le bac :

- Sortez complètement les rails de sortie.
- Posez le bac sur les rails de sortie et poussez-le dans l'appareil jusqu'à ce qu'il s'enclenche.



Accumulateurs de froid

En cas de panne de courant ou de problème :

- L'accumulateur de froid retarde le réchauffement des produits congelés rangés.

Vous pouvez sortir l'accumulateur de froid pour maintenir temporairement des produits alimentaires au frais, par exemple dans un sac isotherme.

Distributeur de glaçons

ATTENTION

DOMMAGES À L'APPAREIL!

Ne jamais ranger des bouteilles ou des aliments dans le réservoir de glaçons, et ce même pour une courte période. Cela pourrait bloquer et endommager la machine à glace.

La production de glaçons commence dès que l'appareil atteint la température réglée.

Remarques

- Pour des raisons d'hygiène, jetez les 30 à 40 premiers glaçons.
- La production de glaçons s'arrête automatiquement lorsque le réservoir de glaçons est plein.

Informations sur le lancement et l'arrêt de la production de glaçons

→ "Lancer et arrêter la production de glaçons" à la page 44

Filtre à eau

Le filtre à eau doit être remplacé au plus tard après 6 mois.

Si les glaçons goûtent mauvais, jetez tous les glaçons ainsi que ceux produits durant les 24 prochaines heures. Si les glaçons goûtent toujours mauvais, changez le filtre à eau.

Remarque : Si vous utilisez un système de filtration d'eau externe, vous pouvez aussi vous servir de l'appareil sans filtre à eau. Pour ce faire, remplacez le filtre à eau par une cartouche filtrante avec dérivation. Éteignez le compteur du filtre à eau. Il n'est pas nécessaire de remplacer une cartouche filtrante avec dérivation.

Adressez-vous au service à la clientèle ou à un fournisseur spécialisé pour obtenir un nouveau filtre à eau ou une cartouche filtrante avec dérivation.

Remplacer le filtre à eau par un neuf ou par une cartouche filtrante avec dérivation

Vous pouvez remplacer le filtre à eau par un neuf ou par une cartouche filtrante avec dérivation. La cartouche filtrante avec dérivation peut demeurer longtemps dans l'appareil; nul besoin de la remplacer.

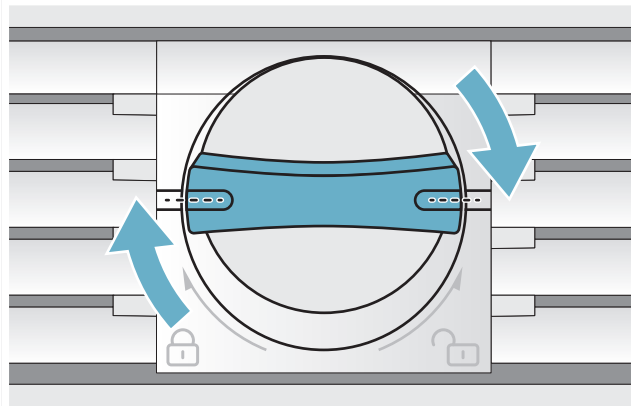
Remarque : Après l'installation d'un filtre à eau ou d'une cartouche filtrante, éliminez tous les glaçons produits au cours des premières 24 heures.

1. Faire tourner le bouchon du filtre à eau dans le sens antihoraire.
2. Retirez le filtre à eau.
3. Retirez le bouchon de protection du nouveau filtre à eau ou de la nouvelle cartouche filtrante avec dérivation.
4. Retirez le bouchon du filtre à eau usé et le poser sur le nouveau filtre à eau ou sur la nouvelle cartouche filtrante avec dérivation.
5. Enfoncez le nouveau filtre à eau ou la nouvelle cartouche filtrante avec dérivation dans l'ouverture jusqu'en butée.

Remarque : Le bouchon doit alors être à la verticale.

6. Faites tourner le filtre à eau ou la cartouche filtrante avec dérivation dans le sens des aiguilles d'une montre jusqu'au repère.

Remarque : Si le filtre à eau ou la cartouche filtrante avec dérivation n'est pas suffisamment vissé, l'eau qui s'écoule risque de provoquer des dégâts.



7. Au même moment où le filtre à eau est posé : réinitialisez le compteur du filtre à eau. Au même moment où la cartouche filtrante avec dérivation est posée : réinitialisez le compteur du filtre à eau.
8. Jetez tous les glaçons formés durant les 24 premières heures.
9. Videz l'eau dans le filtre à eau usé.

Remarque : Vous pouvez jeter le filtre à eau usé avec les ordures ménagères.

Utiliser l'appareil

Allumer l'appareil

1. Actionner **l'interrupteur principal marche/arrêt**.
L'appareil commence à réfrigérer ; porte en position ouverte, l'éclairage est allumé.
2. Régler la température souhaitée.
→ "Régler la température" à la page 43

Remarques concernant le fonctionnement de l'appareil

- Une fois allumé, l'appareil pourrait prendre quelques heures à atteindre les températures réglées. Ne rangez pas de produits alimentaires tant que la température choisie n'est pas atteinte.
- Grâce au système NoFrost entièrement automatique, le compartiment congélateur ne se couvre pas de givre.
Il n'est pas nécessaire de dégivrer.
- L'appareil chauffe légèrement une partie de ses surfaces frontales. Cela prévient la condensation d'eau dans la zone du joint de porte.
- Si la porte du compartiment congélateur ne se laisse pas immédiatement rouvrir après l'avoir fermée, attendez un moment pour laisser à la dépression régnant dans le compartiment le temps de se résorber.

Arrêter et remiser l'appareil

Éteindre l'appareil

- **Appuyez sur l'interrupteur principal Marche / Arrêt.**
L'appareil ne réfrigère plus.

Éteindre l'appareil

ATTENTION

Dégradation de la qualité de l'eau

L'alimentation en eau doit être cessé 3 heures avant que ne soit éteint l'appareil. Cela prévient la formation de moisissure en raison des résidus d'eau.

Si l'appareil doit rester longtemps sans servir :

1. Coupez l'arrivée d'eau à l'appareil et attendez 3 heures.
2. Retirez les aliments de l'appareil.
3. **Appuyez sur l'interrupteur principal Marche / Arrêt.**
4. Débranchez la fiche de contact de la prise de courant ou ramenez le disjoncteur en position éteinte.
L'appareil ne réfrigère plus.
5. Videz le bac à glaçons et nettoyez-le.
→ "Nettoyage" à la page 51
6. Laissez l'appareil ouvert.

Régler la température

Température recommandée

Compartiment réfrigérateur : 39 °F (4 °C)

Compartiment congélateur : 0 °F (-18 °C)

Régler la température des compartiments réfrigérateur et congélateur

1. Choisissez le compartiment souhaité en le touchant à l'écran d'affichage des températures.
2. Réglez la température affichée à la valeur souhaitée.
3. Retournez à l'écran principal avec la touche ⏪.

Super-réfrigération

Pendant la super-réfrigération, le compartiment réfrigérateur refroidit au maximum.


Enclenchez la super-réfrigération par ex. dans les cas suivants :

- avant de ranger de grandes quantités d'aliments.
- afin de réfrigérer rapidement des boissons.

Remarque : Si vous avez activé la super-réfrigération, l'appareil peut fonctionner plus bruyamment.

Au bout de 6 heures, l'appareil revient en service normal.

Activer ou désactiver la super-réfrigération

1. Choisissez le compartiment réfrigérateur en le touchant à l'écran d'affichage des températures.
2. Appuyez sur la touche .
Lorsque la fonction est activée une fenêtre d'explication contextuelle apparaît.
3. Appuyez sur **Poursuivre**.
La fenêtre contextuelle se ferme et vous retournez à l'écran principal.

Remarque : Si vous avez désactivé l'apparition de la fenêtre dans vos réglages, appuyez sur la touche ⏪ pour retourner à l'écran principal. Si vous n'enfonchez pas la touche, l'appareil enregistre le paramètre et retourne automatiquement à l'écran principal après quelques secondes.

Supercongélation

Pendant la supercongélation, le compartiment congélateur refroidit au maximum.

Activez la supercongélation par exemple :

- pour congeler des produits alimentaires à cœur rapidement
- 4 ...6 heures avant de ranger 2 kg ou plus de produits alimentaires

Remarque : Si vous avez activé la supercongélation, l'appareil peut fonctionner plus bruyamment.

Au bout de 2 jours et ½ environ, l'appareil revient en mode normal.

Activer ou désactiver la super-congélation

1. Choisissez le compartiment réfrigérateur en le touchant à l'écran d'affichage des températures.
2. Appuyez sur la touche ✱.
Lorsque la fonction est activée une fenêtre d'explication contextuelle apparaît.
3. Appuyez sur **Poursuivre**.
La fenêtre contextuelle se ferme et vous retournez à l'écran principal.

Remarque : Si vous avez désactivé l'apparition de la fenêtre dans vos réglages, appuyez sur la touche ⏪ pour retourner à l'écran principal. Si vous n'enfonchez pas la touche, l'appareil enregistre le paramètre et retourne automatiquement à l'écran principal après quelques secondes.

Mode éco

Le mode éco vous permet d'économiser de l'énergie lors du fonctionnement de l'appareil.

L'appareil règle les températures automatiques suivantes :

- Compartiment réfrigération : +43 °F (6 °C)
- Compartiment congélation : +3 °F (-16 °C)

Mode Vacances

En cas d'absence prolongée, vous pouvez mettre l'appareil en mode Vacances, économe en énergie.

Pendant cette période, ne rangez pas de produits alimentaires dans le compartiment réfrigération.

L'appareil règle les températures automatiques suivantes :

- Compartiment réfrigération : +57 °F (+14 °C)
- Compartiment congélation : inchangé
La production de glaçons est désactivée.

Mode Sabbat

En mode sabbat, toutes les fonctions non essentielles sont éteintes afin que vous puissiez utiliser l'appareil même le jour du Sabbat.

Le mode Sabbat vous permet d'utiliser l'appareil même le jour du Sabbat.

- Il peut être réglée pour une durée de 1 à 96 heures.
- Une fois la durée réglée écoulee, l'appareil se remet en mode normal.
- Pour mettre fin au mode Sabbat avant que ne termine de s'écouler cette période, touchez l'écran et appuyez sur **Éteindre**.

L'appareil éteint les composants suivants :

- Distributeur de glaçons
- Signaux sonores
- Éclairage intérieur
- Messages affichés à l'écran
- La luminosité du rétro-éclairage de l'écran diminue

Lancer et arrêter la production de glaçons

⚠ ATTENTION

Dommages de l'appareil!

Ne jamais ranger des bouteilles ou des aliments dans le réservoir de glaçons, et ce même pour une courte période. Cela pourrait bloquer et endommager la machine à glace.

La production de glaçon commence dès que l'appareil atteint la température réglée.

Remarque : La production de glaçon s'arrête automatiquement lorsque le réservoir de glaçon est plein.

Activer ou désactiver la protection anti-condensation

Cette fonction n'est disponible que pour les appareils 3 portes. Les appareils 3 portes sont équipés d'un montant de porte avec protection anti-condensation.

Vous pouvez ouvrir la porte gauche du compartiment réfrigérateur sans ouvrir la porte droite au préalable.

⚠ ATTENTION

Ne dépliez pas le montant de porte lorsque la porte est ouverte!Ce dernier pourrait se retrouver coincé et s'abîmer lors de la fermeture de la porte ou abîmer les façades des meubles de la porte droite.

Le montant de la porte contient un élément chauffant afin de prévenir toute condensation. Allumez ou éteignez-le en activant ou désactivant la protection anti-condensation.

→ "Protect. anti-condens. (exclusif à l'appareil à 3 portes)" à la page 40

Home Connect

Cet appareil est compatible Wi-Fi et peut être commandé à distance via un terminal mobile.

Remarque : Wi-Fi est une marque déposée de la société Wi-Fi Alliance.

Dans les cas suivants, l'appareil fonctionne comme un réfrigérateur sans connexion réseau et peut être manipulé manuellement à l'aide des éléments de commande :

- L'appareil n'est pas connecté à un réseau domestique.
- Le service Home Connect n'est pas disponible dans le pays où est installé l'appareil. Vous trouverez la liste des pays dans lesquels Home Connect est disponible sur www.home-connect.com.

Remarque : Respectez les consignes de sécurité figurant dans la présente notice d'utilisation. Assurez-vous qu'elles sont également respectées si vous utilisez l'appareil via l'application Home Connect alors que vous n'êtes pas à la maison.

→ "Consignes de sécurité importantes" à la page 31

Observez également les consignes dans l'application Home Connect.

Configurer Home Connect

Remarques

- Après la mise en marche de l'appareil, attendez au moins 2 minutes avant de configurer Home Connect. L'initialisation interne de l'appareil est alors terminée.
- Observez la fiche Home Connect fournie avec l'appareil ou disponible sous www.bosch-home.com parmi les notices à télécharger. Saisissez le numéro E de votre appareil dans le champ de recherche.

3 étapes de base sont nécessaires pour connecter votre appareil au réseau domestique WLAN (Wi-Fi).

1. Installez l'application.
2. Connectez le réfrigérateur au réseau domestique WLAN (Wi-Fi).
3. Connectez le réfrigérateur à l'application Home Connect.

Lors de la première ouverture du menu, vous êtes guidé automatiquement à travers la configuration initiale. Suivez les instructions sur le panneau de commande. Vous trouverez des informations complémentaires dans les chapitres suivants.

Le menu **Home Connect** comprend les sous-menus suivants :

- Activer/désactiver le Wi-Fi
- Connecter avec l'application
- Mise à jour du logiciel
- Supprimer les paramètres réseau

Configuration de la connexion au réseau domestique (WLAN)

Lors de la première ouverture du menu, vous êtes guidé automatiquement à travers la configuration initiale. Suivez les instructions sur le panneau de commande.

1. Installez l'application **Home Connect** sur votre terminal mobile.
2. Ouvrez le menu **Home Connect** sur le réfrigérateur.
3. Ouvrez l'application sur le terminal mobile.
4. Connectez-vous à l'application ou enregistrez-vous si vous ne disposez pas encore d'un accès.
5. Vérifiez si le routeur de votre réseau domestique comporte une fonction WPS pour la connexion automatique.
6. Si cette fonction est présente, lancez la connexion automatique au réseau avec et suivez les instructions sur le panneau de commande.
7. Lancez une connexion manuelle au réseau si cette fonction n'est pas présente, si vous avez un doute quant à sa présence ou en cas d'échec de la connexion automatique.
Le réfrigérateur génère provisoirement son propre réseau auquel le terminal mobile est connecté.
8. Lancez la connexion manuelle au réseau dans l'application du terminal mobile.

Une fois la connexion établie entre le réfrigérateur et le terminal mobile, une connexion est établie entre le réfrigérateur et votre réseau domestique (Wi-Fi).

Remarque : En cas d'impossibilité d'établir la connexion, vérifiez la qualité de la réception.

Contrôler l'intensité du signal

L'intensité du signal est indiquée sur le panneau de commande. Le signal doit avoir une intensité minimale de 1 barre. La connexion peut être coupée si l'intensité du signal est trop faible.

Améliorer l'intensité du signal

- Rapprochez davantage le routeur du réfrigérateur.
- Assurez-vous que la connexion n'est pas perturbée par des murs qui font écran.
- Installez un répéteur pour amplifier le signal.

Connecter le réfrigérateur à l'application Home Connect

Avec ce menu, vous pouvez connecter votre réfrigérateur à des terminaux mobiles.

1. Installez l'application **Home Connect** sur votre terminal mobile et connectez ou enregistrez-vous.
2. Ouvrez le menu **Home Connect** sur le réfrigérateur.
3. Appuyez sur le point de menu **Connecter avec l'appli**.
4. Confirmez le message pour afficher le réfrigérateur dans l'application.
5. Ouvrez l'application et attendez que le réfrigérateur s'affiche.
Confirmez la connexion entre l'application et le réfrigérateur en appuyant sur **Ajouter**.
Si le réfrigérateur ne s'affiche pas automatiquement, cliquez dans l'application sur **Ajouter l'appareil** et suivez les instructions. Dès que votre réfrigérateur s'affiche, ajoutez-le avec **+**.
6. Suivez les instructions de l'application jusqu'à la fin de l'opération.

Installer une mise à jour du logiciel Home Connect

Le réfrigérateur vérifie régulièrement si des mises à jour du logiciel Home Connect sont disponibles.

Une fenêtre d'avis apparaît sur le panneau de commande dès qu'une mise à jour est disponible. Pour installer la mise à jour, appuyez sur **Installer maintenant**.


Repousser l'installation d'une mise à jour :

1. Ouvrez le menu **Home Connect**.
2. Appuyez sur **Mise à jour du logiciel**.
Remarque : Ce menu n'est visible que lorsqu'une mise à jour est disponible.
Une fenêtre d'avis apparaît.
3. Pour installer la mise à jour, appuyez sur **Installer maintenant**.

Accès au service à la clientèle

Lorsque vous contactez le service à la clientèle, celui-ci peut accéder à votre appareil et à son état avec votre consentement. Pour ce faire, votre appareil doit avoir été connecté au réseau domestique.

Vous trouverez davantage d'informations au sujet de l'accès service à la clientèle et de sa disponibilité dans votre pays sous www.home-connect.com, dans Aide&Soutien.

1. Contactez le service à la clientèle.
→ "Service à la clientèle" à la page 56
2. Confirmez le début de l'accès du service à la clientèle sur votre appareil dans l'application. Pendant l'accès du service à la clientèle, le symbole  apparaît sur le panneau de commande.

3. Dès que le service à la clientèle a collecté les informations nécessaires, il termine l'accès.

Remarque : Vous pouvez interrompre le diagnostic à distance de manière précoce en désactivant l'accès du service à la clientèle dans l'application Home Connect.

Réinitialiser les réglages

Si un problème se présente lors de la tentative de branchement ou si vous souhaitez brancher l'appareil à un autre réseau domestique WLAN (Wi-Fi), les réglages de Home Connect peuvent être réinitialisés.

1. Ouvrez le menu **Home Connect** sur le réfrigérateur.
2. Appuyez sur le point de menu **Réinitialiser les réglages**.
3. Confirmez le message pour supprimer les paramètres réseau.

Pour rebrancher ensuite l'appareil au réseau domestique WLAN (Wi-Fi), refaites la configuration initiale.

→ "Configuration de la connexion au réseau domestique (WLAN)" à la page 45

Activer ou désactiver la connexion au réseau domestique WLAN (Wi-Fi)

1. Ouvrez le menu **Home Connect** sur le réfrigérateur.

Remarque : Lors de la première ouverture du menu, vous êtes guidé automatiquement à travers la configuration initiale. Suivez les instructions sur le panneau de commande.

2. Choisissez **Désactiver le Wi-Fi**.
3. Pour lancer la désactivation, appuyez sur **Poursuivre**.
4. Une fois la connexion au réseau domestique interrompue, le message **Wi-Fi éteint** apparaît. Confirmer le message avec **OK**.

Remarque : Lorsque la connexion au réseau domestique est interrompue, vous ne pouvez plus commander votre électroménager avec votre appareil mobile.

Remarque sur la protection des données

Lors de la première connexion de votre appareil Home Connect à un réseau domestique WLAN (Wi-Fi) branché à Internet, votre appareil transmet les catégories de données suivantes au serveur Home Connect (premier enregistrement) :

- Code d'appareil univoque (constitué de clés d'appareil ainsi que de l'adresse MAC du module de communication Wi-Fi intégré).
- Le certificat de sécurité du module de communication Wi-Fi (pour la protection informatique de la connexion).
- La version actuelle du logiciel et du matériel de l'appareil ménager.
- L'état d'une précédente réinitialisation éventuelle des réglages d'usine.

Ce premier enregistrement prépare l'utilisation des fonctionnalités Home Connect et ne s'avère nécessaire qu'au moment où vous voulez utiliser les fonctions Home Connect pour la première fois.

Remarque : Veuillez noter que les fonctionnalités Home Connect ne sont utilisables qu'avec l'application Home Connect. Vous pouvez consulter les informations sur la protection des données dans l'application Home Connect.

Alarme

Alarme de porte

Si la porte de l'appareil reste ouverte pendant une période prolongée, l'alarme de porte s'allume. Un message apparaît dans l'affichage.

Désactiver l'alarme de porte

- Fermer la porte.

Remarque : Pour faire taire l'alarme, il suffit de confirmer le message sur l'écran. Le message réapparaît après quelques minutes si la porte est toujours ouverte.

Alarme de température

Si la température monte trop dans le compartiment congélateur, l'alarme de température s'allume. Un message apparaît dans l'affichage. Le message indique la température la plus chaude ayant régné dans le compartiment congélateur.

ATTENTION

PENDANT LA DÉCONGÉLATION, DES BACTÉRIES PEUVENT APPARAÎTRE ET LES ALIMENTS CONGELÉS S'AVARIER.

Ne remettez pas à congeler des produits alimentaires partiellement ou entièrement décongelés.

Ne recongelez qu'après avoir les avoir fait cuire ou rôti. N'utilisez plus la durée de conservation dans son intégralité.

Remarque : L'alarme peut s'activer dans les cas suivants, sans qu'il n'y ait de risque pour les produits congelés :

- L'appareil est mis en service ; il ne contient pas encore de produits alimentaires.
- De grandes quantités de produits alimentaires frais ont été rangés.
- La porte du compartiment congélateur est restée trop longtemps ouverte.

Éteindre l'alarme de température

1. Assurez-vous que la cause du déclenchement de l'alarme de température a été écartée.
2. Appuyez sur la touche **Ok** pour confirmer le message.

Le message disparaît. Le panneau de commande affiche de nouveau la température réglée.

A partir de ce moment-là, le système se remet à déterminer la température la plus élevée et l'enregistre.

Compartiment réfrigérateur

Le compartiment réfrigérateur convient pour conserver la viande, la charcuterie, le poisson, les produits laitiers, les œufs, les plats précuisinés et les pâtisseries.

La température est réglable entre 36 °F (2 °C)... et 46 °F (8 °C).

Grâce au stockage au froid, vous pouvez aussi ranger des denrées très périssables à court et moyen terme. Plus la température choisie est basse, plus les processus enzymatiques et chimiques ainsi que la détérioration par des micro-organismes sont lents. Une température de 39 °F (4 °C) ou moins garantit un maintien au frais optimal ainsi que la sécurité des produits alimentaires stockés.

Consignes de rangement

Remarque : Évitez que les produits alimentaires entrent en contact avec la paroi arrière.

Cela gêne sinon la circulation de l'air et les aliments ou leurs emballages risquent de coller contre la paroi arrière.

- Rangez les produits alimentaires frais et intacts. Ils conserveront ainsi plus longtemps leur qualité et leur fraîcheur.
- Respectez la date de conservation minimum ou la date de consommation indiquée par le fabricant pour les produits tout prêts et liquides conditionnés.
- Pour préserver l'arôme, la teinte et la fraîcheur, rangez les produits alimentaires bien emballés ou couverts. Ceci empêche en outre que certains aliments ne communiquent leur goût à d'autres et que les pièces en plastique changent anormalement de couleur.
- Attendez que les produits alimentaires chauds et les boissons aient refroidi avant de les mettre dans le compartiment réfrigérateur.

Tenez compte des différentes zones froides dans le compartiment réfrigérateur

L'air circulant dans le compartiment réfrigérateur fait que des zones différemment froides apparaissent.

Zone la plus froide

La zone la plus froide se trouve dans le compartiment intérieur, contre la paroi arrière et dans le compartiment froid.

Remarque : Rangez-y les aliments les plus délicats (par ex. le poisson, la charcuterie, la viande).

La zone la moins froide



La zone la moins froide se trouve complètement en haut, contre la porte.

Remarque : Rangez-y par ex. le fromage dur et le beurre. Le fromage peut continuer de développer son arôme et le beurre demeure tartinable.

Bac à légumes avec régulateur d'humidité

Le bac à légumes est l'endroit optimal où ranger les fruits et légumes frais. Le régulateur d'humidité et un joint spécial permettent d'ajuster l'humidité de l'air dans le bac à légumes. Les fruits et légumes frais se conservent ainsi jusqu'à deux fois plus longtemps qu'avec un mode de rangement conventionnel.

Vous pouvez ajuster l'humidité de l'air régnant dans le bac à légumes en fonction de la nature et de la quantité des produits à ranger :

- Fruits principalement et appareil très rempli – réglez une humidité de l'air moins élevée en plaçant le régulateur en position 
- Légumes principalement et appareil rempli de produits différents ou faiblement rempli – réglez une humidité de l'air plus élevée en plaçant le régulateur en position 

Remarques

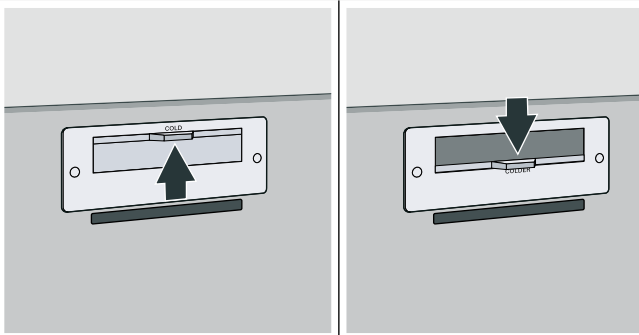
- Pour préserver leur qualité et leur arôme, il est recommandé de ranger les fruits (par exemple les ananas, bananes, papayes, agrumes) et légumes (par exemple les aubergines, concombres, courgettes, poivrons, tomates et pommes de terre) qui craignent le froid hors de l'appareil à des températures comprises entre 46 °C (8 °C)... et 54 °F (12 °C).
- Selon la quantité et la nature des produits stockés, de l'eau pourrait se condenser dans le bac à légumes. Retirez l'eau condensée avec un essuie-tout sec et ajustez l'humidité de l'air dans le bac à légumes via le régulateur d'humidité.

Compartiment froid

Les températures régnant dans le compartiment froid sont plus basses que dans le compartiment réfrigération. Des températures inférieures à 0 °C (32 °C) peuvent se manifester.

Idéal pour ranger le poisson, la viande et la charcuterie. Ne convient pas pour les salades, les légumes et les produits alimentaires qui craignent le froid.

Vous pouvez modifier la température du compartiment froid à l'aide de l'ouverture d'aération. Abaissez le curseur de régulation de la température pour obtenir une température plus froide. Remontez le curseur de régulation de la température pour obtenir une température moins froide.



Compartiment congélateur

Le compartiment congélateur sert à :

- stocker des produits surgelés
- la préparation de glaçons
- congeler des produits alimentaires

La température est réglable entre -11 °F (-24 °C)...et +7 °F (-14 °C).

La congélation vous permet de stocker longtemps les denrées périssables sans pertes notables de qualité vu que les basses températures ralentissent fortement la détérioration ou la stoppent. L'aspect, l'arôme et l'ensemble des ingrédients demeurent préservés dans leur très large majorité.

Le temps nécessaire à ce que les produits frais rangés au congélateur congèlent à cœur dépend des facteurs suivants :

- Température réglée
- Nature du produit alimentaire
- Degré de remplissage du compartiment congélateur
- Quantité et type de stockage

Utiliser l'intégralité du volume de congélation

Pour loger la quantité maximale de produits congelés :

- Retirer le bac à produits congelés (petit).
- Ranger le produit alimentaire dans le bac à produits congelés (grand).

Achats de produits surgelés

- Vérifiez que l'emballage est intact.
- Ne dépassez pas la date de péremption.
- La température dans le congélateur du supermarché doit être au maximum de 0 °F (-18 °C).
- Ne brisez pas la chaîne de congélation : utilisez de préférence un sac isotherme pour le transport puis rangez les produits le plus rapidement possible dans le compartiment congélateur.

Consignes de rangement

- Congelez des quantités d'aliments plus importantes dans le compartiment supérieur. C'est là qu'ils seront congelés le plus vite et en douceur.
- Étalez les produits alimentaires sur une grande surface dans les compartiments ou les bacs à produits congelés.
- Veillez à ce que les produits alimentaires à congeler n'entrent pas en contact avec d'autres déjà congelés. Si nécessaire, réordonnez les produits alimentaires congelés à cœur déjà présents dans les bacs.
- Consigne importante pour que l'air circule de manière impeccable dans l'appareil : Insérez le bac à produits congelés jusqu'à la butée.

Congeler des produits frais

Pour congeler les aliments, n'utilisez que des aliments frais et d'un aspect impeccable.

Les aliments consommés cuits (y compris au four) et rôtis se prêtent mieux à la congélation que les aliments consommés crus.

Avant la congélation, il faut soumettre les aliments à des processus de préparation différents selon la variété, pour préserver au mieux leur valeur nutritive, leur arôme et leur couleur :

- Légumes : Lavage, broyage, blanchiment.
- Fruits : Lavage, dénoyautage et épluchage au besoin ; ajoutez le cas échéant du sucre ou de l'acide ascorbique en solution.

Vous trouverez des conseils à ce sujet dans la littérature spécialisée.

Vont au congélateur

- Pain et pâtisserie
- Poisson et fruits de mer
- Viande
- Le gibier et la volaille
- Fruits, légumes et herbes
- Les œufs sans coque
- Les produits laitiers, par ex. le fromage, le beurre et le fromage blanc
- Les plats précuisinés et restes de plats, par exemple soupes, ragoûts, viande cuite, poisson cuit, plats à base de pommes de terre, soufflés et mets sucrés

Ne vont pas au congélateur

- Variétés de légumes habituellement dégustées crues, par exemple les salades ou radis
- Œufs avec coque ou les œufs cuits durs
- Raisins
- Pommes, poires, pêches entières
- Yaourt, lait caillé, crème acidulée, crème fraîche et mayonnaise

Emballer les surgelés

La nature correcte de l'emballage et le choix du matériau conditionnent de manière déterminante la préservation de la qualité du produit, et évitent l'apparition de brûlures par le froid.

1. Placez les aliments dans l'emballage.
2. Pressez pour chasser l'air.
3. Fermez hermétiquement l'emballage afin que les produits alimentaires ne perdent pas leur goût ou ne sèchent pas.
4. Indiquez sur l'emballage le contenu et la date de congélation.

Emballage adapté :

- Feuilles en plastique
- Feuilles en polyéthylène
- Feuilles d'aluminium
- Boîtes de congélation

Moyens de fermeture appropriés :

- Caoutchoucs
- Clips en plastique
- Rubans adhésifs résistants au froid

Emballage non approprié :

- Papier d'emballage
- Papier sulfurisé
- Cellophane
- Sacs-poubelles et sacs d'achat déjà utilisés

Durée de conservation des aliments congelés à – 18 °C

Poisson, charcuterie, plats pré-cuisinés, pâtisseries :	jusqu'à 6 mois
Viande, volaille :	jusqu'à 8 mois
Fruits et légumes :	jusqu'à 12 mois

Décongélation des produits

Il faut adapter la méthode de décongélation au produit alimentaire concerné et au but d'utilisation afin de préserver au mieux la qualité du produit.

Méthodes de décongélation :

- dans le compartiment réfrigérateur (convient particulièrement aux denrées d'origine animale comme le poisson, la viande, le fromage et le fromage blanc)
- À la température ambiante (pain)
- Au micro-ondes (produits alimentaires destinés à une consommation ou une préparation immédiate)
- Four / cuisinière (produits alimentaires destinés à une consommation ou une préparation immédiate)



ATTENTION

Ne remettez pas à congeler des produits alimentaires partiellement ou entièrement décongelés. Vous ne pouvez recongeler qu'après avoir transformé la denrée en plat prêt à déguster (plat cuit ou rôti).

N'utilisez plus intégralement la durée maximale de conservation du produit congelé.

Dégivrer l'appareil

Compartiment congélateur

Grâce au système NoFrost entièrement automatique, le compartiment congélateur ne se couvre pas de givre. Il n'est plus nécessaire de dégivrer.

Nettoyage

ATTENTION

ÉVITEZ D'ENDOMMAGER L'APPAREIL ET SES PIÈCES D'ÉQUIPEMENT.

- N'utilisez aucun produit de nettoyage ni aucun solvant contenant du sable, du chlorure ou de l'acide.
- N'utilisez jamais d'éponges abrasives ou susceptibles de rayer. De la corrosion peut apparaître sur les surfaces métalliques.
- Ne nettoyez jamais les clayettes et les bacs au lave-vaisselle. Ces pièces pourraient se déformer!

Nettoyer l'écran

Suite au changement de températures et à l'humidité de l'air, les éléments de commande peuvent s'embuer.

Utilisez un chiffon en microfibres pour le nettoyage.

Nettoyer le compartiment intérieur de l'appareil

Procédez comme suit :

1. **Appuyez sur l'interrupteur principal Marche / Arrêt.**
2. Sortez les produits alimentaires et rangez-les dans un endroit frais.
Si applicable : Déposez l'accumulateur de froid sur les produits alimentaires.
3. Ne nettoyez l'appareil qu'avec un chiffon doux, de l'eau tiède et du produit à vaisselle présentant un pH neutre.

ATTENTION

Veillez à ce que l'eau de rinçage ne pénètre pas dans le système d'éclairage et qu'elle ne gagne pas la zone d'évaporation via l'orifice d'écoulement.

4. Essuyez le joint de porte avec de l'eau claire et frottez soigneusement pour le sécher.
5. Raccordez à nouveau l'appareil, mettez-le sous tension et rangez les produits alimentaires.

Nettoyer l'équipement

Pour nettoyer, retirer les pièces variables de l'appareil.

→ "Équipement" à la page 41

Consignes d'entretien pour les surfaces en inox

Pour nettoyer les surfaces en inox, n'utilisez que des nettoyeurs et un linge spécialement conçus pour ce type de surface.

Pour obtenir un linge spécialement conçu pour les surfaces en inox, adressez-vous au service à la clientèle.

Afin de prévenir les marques à la surface de l'appareil, il faut essuyer la surface en inox dans la direction de sa structure.

Odeurs

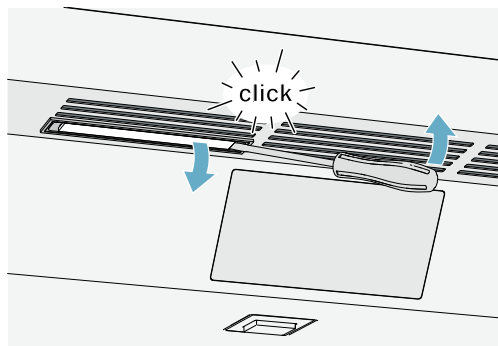
Si des odeurs désagréables se manifestent :

1. Mettez l'appareil hors tension par l'interrupteur principal.
2. Sortez tous les produits alimentaires de l'appareil.
3. Nettoyez le compartiment intérieur.
→ "Nettoyage" à la page 51
4. Nettoyez tous les emballages.
5. Pour empêcher l'apparition d'odeurs, emballez hermétiquement les produits dont émane une odeur forte.
6. Remettez l'appareil en marche.
7. Remplissez l'appareil de nouveau.
8. Au bout de 24 heures, vérifiez si les odeurs persistent.
9. Changez le filtre à odeurs.
→ "Changez le filtre à odeurs" à la page 52

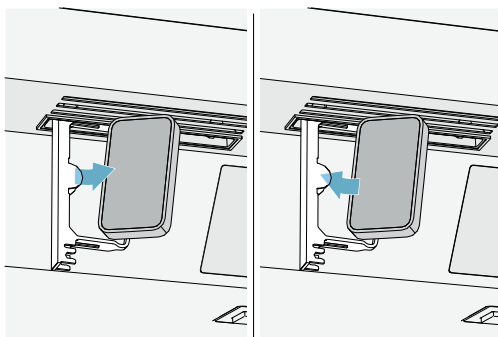
Changez le filtre à odeurs

Des filtres de rechange sont disponibles auprès de votre service à la clientèle.

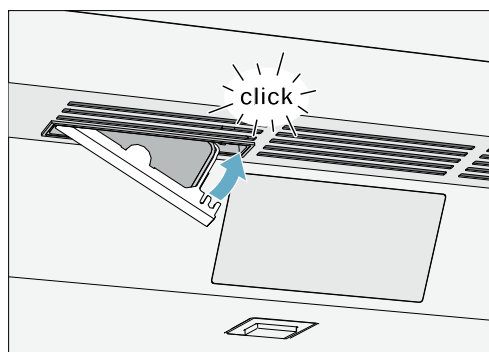
1. Ouvrez le compartiment de filtre avec un tournevis plat.



2. Extrayez le filtre à odeurs épuisé et mettez un filtre à odeurs neuf en place.



3. Fermez le compartiment de filtre.



Éclairage

Votre appareil est équipé d'un éclairage par LED ne demandant pas d'entretien.

Seul le service à la clientèle ou des spécialistes agréés sont autorisés à réparer l'éclairage.

Bruits

Bruits normaux

Bourdonnement : Un moteur tourne, par exemple le groupe frigorifique, un ventilateur.

Gargouillis, ronflement ou clapotis : Le fluide frigorigène circule dans les tuyaux.

Cliquetis : Le moteur, les interrupteurs ou les électrovannes s'allument / s'éteignent.

Craquement : Le dégivrage automatique est en cours.

Prévenir les bruits

L'appareil ne repose pas d'aplomb : Ajustez l'appareil à l'aide d'un niveau à bulle. Si nécessaire, insérez quelque chose sous l'appareil.

Des récipients, clayettes ou rangements vacillent ou se coincent : Vérifiez les pièces d'équipement amovibles et remplacez-les au besoin.

Que faire en de problème.

Avant d'appeler le service à la clientèle, veuillez vérifier si le tableau ci-dessous ne contient pas déjà la solution qu'il vous faut.

Appareil

La température réelle diffère fortement de la température réglée.	
	Éteindre l'appareil pendant 5 minutes. → "Arrêter et remiser l'appareil" à la page 43 Si la température est trop élevée, vérifiez-la à nouveau au bout de quelques heures. Si la température est trop basse, vérifiez-la à nouveau le jour suivant.
Aucun voyant ne s'allume.	
Fiche mâle incorrectement branchée dans la prise de courant.	Rebranchez la fiche de contact.
Fusible déclenché.	Inspecter les fusibles.
Le courant est en panne.	Vérifier la présence de courant.
Le groupe frigorifique s'enclenche de plus en plus souvent et longtemps.	
L'appareil a été ouvert fréquemment.	N'ouvrez pas l'appareil inutilement.
Les orifices de ventilation sont bouchés.	Enlevez les obstacles.
L'appareil est rempli de grandes quantités de produits alimentaires frais.	Activez la super-réfrigération suffisamment à l'avance.
L'appareil ne réfrigère pas, l'affichage et l'éclairage sont allumés.	
Le mode démonstration est activé.	Éteignez le mode Vacances. → "Réglages" à la page 40

Distributeur de glaçons

Le distributeur de glaçons ne fonctionne pas.	
La production de glace a été désactivée.	Relancer la production de glace.
Le compartiment congélateur n'est pas assez froid.	Abaissez la température. → "Utiliser l'appareil" à la page 43
Le bac à glaçons n'est pas correctement mis en place.	Remettez en place le bac à glaçons.
Le distributeur de glaçons est en panne.	Contactez le service à la clientèle. → "Service à la clientèle" à la page 56
Aucune alimentation d'eau.	Contrôlez le raccordement à la source d'eau et contactez un installateur au besoin.
La pression de l'eau est basse.	Raccordez l'appareil à une conduite dont la pression hydraulique est suffisante.
Le tube d'entrée est plié.	Coupez l'arrivée d'eau, redressez le tube. Remplacez le tube au besoin.
Les glaçons sont déformés ou trop peu nombreux, la pression de l'eau est inhabituellement faible.	
Il y a trop peu de glaçons dans le réservoir si l'appareil vient d'être allumé ou si le distributeur a servi abondamment.	Il faut environ 24 heures au réservoir à glaçons vide pour se remplir.
La production de glaçon s'arrête automatiquement alors que le réservoir de glaçons n'est pas plein.	Ne pas stocker la palette à glace sur les glaçons dans le réservoir à glaçons. Dans le cas contraire, le capteur ne reconnaît pas le niveau de remplissage réel du réservoir.
La pression de l'eau est basse.	Raccordez l'appareil à une conduite dont la pression hydraulique est suffisante.
Le filtre à eau est bloqué ou doit être remplacé.	Changez le filtre à eau.
Le congélateur n'est pas assez froid.	Abaissez la température. → "Utiliser l'appareil" à la page 43
De l'eau s'écoule de l'appareil.	
La prise d'eau n'est pas étanche.	Assurez-vous que les raccords sont bien serrés et que le boyau d'eau est en bonne condition. Si le boyau d'eau est endommagé, contactez le service à la clientèle pour le faire remplacer. Tout remplacement doit être effectué par le service à la clientèle ou une personne dûment qualifiée. N'utilisez que des pièces de rechange d'origine venant du fabricant.

Service à la clientèle

Si le problème persiste, veuillez vous adresser à notre service à la clientèle. Nous trouverons toujours une solution adaptée afin d'éviter entre autres des déplacements inutiles d'un technicien.

Vous trouverez ici ou dans le répertoire de service les coordonnées du service à la clientèle le plus proche.

Lors de l'appel, veuillez indiquer le numéro de série (E-Nr) et le numéro de fabrication (FD) que vous trouverez sur la plaque signalétique.


→ "Présentation de l'appareil" à la page 38

Faites confiance aux compétences du fabricant.

Vous vous assurerez ainsi que les réparations sont réalisées par des techniciens dûment formés qui disposent des pièces de rechange d'origine convenant à votre appareil électroménager.

Autodiagnostic de l'appareil

Votre appareil comprend un programme d'autodiagnostic affichant les défauts que votre service à la clientèle peut corriger.

1. Appuyez sur la touche  pour ouvrir le menu Paramètres.
2. Appuyez sur le point de menu **Autodiagnostic**.
3. Appuyez sur **Démarrer**.
L'autodiagnostic commence.
4. Toutes les erreurs constatées seront affichées à l'écran.
Suivez les instructions à l'écran le cas échéant.
5. L'appareil redémarre.
6. Pendant 10 secondes, l'écran indiquera que l'autodiagnostic est terminé.

Après l'autodiagnostic, l'appareil retourne en mode d'opération normal.

Commande de réparation et conseils en cas de problèmes

Vous trouverez les données de contact pour tous les pays dans l'annuaire de service à la clientèle ci-joint.

es Índice

 Indicaciones de seguridad importantes	59	 Home Connect.	72
Definiciones.	59	Configurar Home Connect	72
Acerca de este manual.	59	Conectar el aparato refrigerador con la aplicación Home Connect	73
Introducción	59	Instalar la actualización de software de Home Connect	73
Limitación del grupo de usuarios	59	Acceso del servicio al cliente.	73
Peligro de explosión	59	Restablecer los ajustes	73
Riesgo de descarga eléctrica	60	Activar o desactivar la conexión con la red doméstica WLAN (Wi-Fi).	74
Peligro de quemaduras por frío	60	Indicaciones sobre protección de datos.	74
Peligro de lesiones	60	 Alarma.	74
Peligro de incendio/peligro a causa de líquido refrigerante	60	Alarma de la puerta	74
Riesgo de incendio	60	Alarma de temperatura.	74
Peligro de asfixia.	61	 Compartimento refrigerador	75
Daños materiales	61	Puntos a observar al guardar los alimentos.	75
Peso	61	Prestar atención a las diferentes zonas de frío del compartimento refrigerador	75
Advertencias en virtud de la Proposición 65 del estado de California.	61	Contenedor para verduras con regulador de humedad	75
 Uso previsto	62	Compartimento fresco	76
 Protección del medio ambiente.	62	 Congelador	76
Embalaje	62	Aprovechar toda la capacidad de congelación del aparato.	76
Aparato usado.	62	Al comprar alimentos congelados	76
 Instalación y conexión	62	Al ordenar prestar atención	76
Material entregado	62	Congelar los alimentos frescos	77
Datos técnicos	62	Descongelar los productos congelados.	77
Instalar el aparato	62	 Descongelación	77
Verificar el hueco de encastre.	62	Congelador.	77
Instalación side by side.	62	 Limpiar	78
Ahorrar energía.	63	Limpiar la pantalla	78
Antes del primer uso.	64	Limpiar el interior del aparato.	78
Conexión a la toma de agua.	64	Limpiar los accesorios	78
Conexión a la red eléctrica	64	Indicación para la conservación de superficies de acero inoxidable	78
 Familiarizándose con el aparato	65	 Olores	79
Aparato de 2 puertas	65	Sustituir el filtro desodorizante	79
Aparato de 3 puertas	66	 Iluminación	80
Controles.	67	 Ruidos.	80
Equipamiento	68	Ruidos normales	80
 Manejo del electrodoméstico.	70	Evitar ruidos	80
Encender el aparato	70	 ¿Qué hacer en caso de avería?	81
Apagar y cerrar el aparato	70	Aparato.	81
Ajustar la temperatura.	70	Máquina de hielo	82
Super frío.	70		
Supercongelación	70		
Modo Eco	71		
Modo de vacaciones.	71		
Modo Sabbath.	71		
Encender o apagar la producción de cubitos de hielo.	71		
Activar o desactivar la protección contra condensación	71		



Servicio al cliente 83

Autoprueba del aparato83

Solicitud de reparación y asesoramiento
en caso de averías83



Indicaciones de seguridad importantes

¡LEER Y CONSERVAR ESTAS INDICACIONES!

Definiciones

ADVERTENCIA

Hacer caso omiso de esta advertencia puede causar lesiones graves o la muerte.

ATENCIÓN

Hacer caso omiso de esta advertencia puede provocar lesiones leves o moderadas.

AVISO: Hacer caso omiso de esta advertencia puede causar daños al aparato.

Nota: Esto indica información y/o consejos importantes.

Acerca de este manual

- Lea y siga las instrucciones de uso y de montaje. Ellas contienen información importante sobre la instalación, uso y mantenimiento del aparato.
- El fabricante no se hace responsable, si usted ignora las indicaciones y advertencias de las instrucciones de uso y montaje.
- Guarde todas las instrucciones de uso y de montaje para futuras consultas y posteriores propietarios.

Introducción

- Este aparato cumple las normas específicas de seguridad para aparatos eléctricos.
- La estanqueidad del circuito de refrigeración viene verificada de fábrica.

Limitación del grupo de usuarios

- Evite riesgos para los niños y las personas vulnerables.
- Este aparato solo podrá ser usado por niños y personas cuyas facultades físicas, sensoriales o mentales estén mermadas o cuya falta de conocimientos o de experiencia les impida hacer un uso seguro de los mismos si lo hacen bajo supervisión de una persona responsable de su seguridad o hayan sido instruidos previamente en su uso y hayan comprendido los peligros que pueden derivarse del mismo.
- Se debe vigilar a los niños para asegurarse de que no jueguen con el aparato.

Peligro de explosión

- Si las aberturas de ventilación del aparato se encuentran cerradas, puede generarse una mezcla inflamable de aire y gas si se produce una fuga en el circuito de enfriamiento. No cerrar las aberturas de ventilación de la carcasa del aparato o de la carcasa de la instalación.
- Nunca use aparatos eléctricos en el interior del aparato (por ejemplo, calefactores o máquinas eléctricas para hacer hielo).
- No guarde productos que contengan gases propelentes o inflamables (por ejemplo, latas de aerosol), ni tampoco materiales explosivos en el aparato.
- Almacene el alcohol de alta graduación solamente en recipientes herméticos y en posición vertical.
- A excepción de las indicaciones del fabricante, no adoptar medidas adicionales para acelerar la descongelación.



Indicaciones de seguridad importantes

¡LEER Y CONSERVAR ESTAS INDICACIONES!

Riesgo de descarga eléctrica

Una incorrecta instalación o reparación puede implicar serios peligros para el usuario.

- Al instalar el aparato, asegúrese de que el cable de conexión a la red eléctrica no quede atrapado ni se dañe.
- Para evitar peligros, desconecte el aparato inmediatamente en caso de que el cable de conexión esté dañado. Póngase en contacto con el fabricante, el Servicio de atención al cliente o con una persona con una cualificación similar para que sustituya el cable de red.
- No utilice nunca tomas de corriente múltiples ni cables de prolongación o adaptadores.
- Antes de que realice trabajos de mantenimiento o instale el aparato, desenchúfelo de la red eléctrica o apague el fusible. Antes de limpiar el electrodoméstico, pulsar el **interruptor principal para conexión/desconexión** para apagarlo. Es posible cambiar de lugar las bandejas de cristal u otras piezas de equipamiento sin peligro mientras el aparato está conectado.
- Nunca corte o retire el tercer conductor (conductor a tierra) del cable de conexión a la red eléctrica.
- Nunca utilice ningún tipo de limpiador de vapor para derretir la escarcha o limpiar el aparato. El vapor puede llegar a las piezas eléctricas y causar un cortocircuito.
- El aparato, cables y accesorios solamente deben ser reparados o cambiados por el fabricante o por un proveedor autorizado.
- Utilice únicamente piezas originales del fabricante. El fabricante garantiza que estas piezas cumplen los requisitos de seguridad.

Peligro de quemaduras por frío

- Nunca introduzca los alimentos congelados - inmediatamente después de sacarlos del congelador - directamente en la boca.
- Evite el contacto prolongado de la piel con los alimentos congelados, el hielo o los tubos del congelador.

Peligro de lesiones

- Los envases con bebidas carbonatadas pueden estallar.
- No almacene envases con bebidas carbonatadas en el congelador.



Peligro de incendio/peligro a causa de líquido refrigerante

En los tubos del circuito de enfriamiento fluye una pequeña cantidad de un refrigerante ecológico, pero inflamable (R600a). No daña la capa de ozono ni aumenta tampoco el efecto invernadero. Si el líquido refrigerante sale a chorro puede inflamarse o provocar lesiones en los ojos.

- No dañar los tubos.

En caso de daños en los tubos:

- Mantener las fuentes de fuego o focos de ignición alejados del aparato.
- Ventilar el lugar.
- Apagar el aparato y desconectar el enchufe.
- Llamar al Servicio de Atención al Cliente.



Riesgo de incendio

Las tomas de corriente múltiples portátiles o las fuentes de alimentación portátiles pueden sobrecalentarse y provocar incendios.

- No colocar tomas de corriente múltiples portátiles ni fuentes de alimentación portátiles detrás del aparato.



Indicaciones de seguridad importantes

¡LEER Y CONSERVAR ESTAS INDICACIONES!

Peligro de asfixia

- En caso de disponer la unidad de una cerradura, guardar la llave fuera del alcance de los niños.
- No dejar el embalaje o sus partes a los niños.

Daños materiales

Para evitar daños materiales:


- No pise, ni se apoye sobre el zócalo, cajones o puertas.
- Mantenga las piezas de plástico y juntas de goma limpias de aceites y grasas.
- Tirar del enchufe - no del cable de conexión.

Peso

El aparato es muy pesado. Realizar la instalación y el transporte del aparato siempre con un mínimo de 2 personas.
→ "Instalar el aparato" en la página 62

Advertencias en virtud de la Proposición 65 del estado de California

Este producto puede contener un químico que el Estado de California reconoce como potencialmente cancerígeno o causante de daños reproductivos. Por tanto, su producto debe llevar en su embalaje la siguiente etiqueta de conformidad con la legislación de California:

<p>STATE OF CALIFORNIA PROPOSITION 65 WARNING: / AVERTISSEMENT ISSUE DE LA PROPOSITION 65 DE L'ÉTAT DE LA CALIFORNIE:</p> <p> WARNING / AVERTISSEMENT</p> <p>Cancer and Reproductive Harm / Cancer et dommages à la reproduction - www.P65Warnings.ca.gov.</p>
--

Uso previsto

Use este aparato

- Para la refrigeración y la congelación de alimentos, así como para la preparación de cubitos de hielo.
- solo para uso doméstico o en el entorno del hogar.
- solo de acuerdo a estas instrucciones de uso.

Este aparato está diseñado para ser utilizado hasta una altura máxima de 2,000 metros sobre el nivel del mar.

Protección del medio ambiente

Embalaje

Todos los materiales son ecológicos y reciclables:

- Deseche el embalaje conforme a la normativa medioambiental.
- Pregunte a su Distribuidor o en su Administración Pública acerca de los métodos de eliminación.

Aparato usado

Mediante una eliminación respetuosa con el medio ambiente, se pueden recuperar materias primas valiosas.

ADVERTENCIA

¡LOS NIÑOS SE PUEDEN ENCERRAR Y ASFIXIAR EN EL APARATO!

Antes de eliminar el aparato usado:

- Desmontar las puertas.
- Dejar las bandejas y recipientes dentro del aparato, para dificultar que los niños se suban.
- Mantenga a los niños lejos de los aparatos usados.

ATENCION

SE PUEDEN ESCAPAR REFRIGERANTES Y GASES NOCIVOS.

No dañe las tuberías del circuito de refrigeración y aislamiento.

1. Desconecte el enchufe.
2. Corte el cable de conexión del aparato.
3. Eliminar el aparato correctamente.

Instalación y conexión

Material entregado

Verifique que las piezas no presentan daños ni desperfectos debidos al transporte tras desembalarlas.

Si tiene alguna queja deberá dirigirse al distribuidor en donde adquirió su electrodoméstico o a nuestro Servicio de Atención al Cliente.

→ "Servicio al cliente" en la página 83

El envío consta de los siguientes elementos:

- Aparato para instalación integrada
- Equipamiento (según modelo)
- Material de montaje
- Instrucciones de uso
- Instrucciones de instalación
- Cuaderno de Servicio al cliente
- Suplemento de la garantía
- Informaciones sobre el consumo de energía y los ruidos del aparato

Datos técnicos

El refrigerante utilizado, la capacidad útil y otros datos técnicos se encuentran en la placa de identificación.

→ "Familiarizándose con el aparato" en la página 65

Instalar el aparato

Lugar de instalación

El peso de su aparato puede ser de hasta 460 kg, dependiendo del modelo. El piso debe ser lo suficientemente estable, no debe ceder por el peso. Si es necesario, refuerce el piso.

Verificar el hueco de encastre

El hueco debe cumplir con los siguientes criterios:

- Se deben montar escuadras antivuelco
- Profundidad del hueco mínima de 24" (610 mm), para instalación a ras 25" (635 mm)
- rectangular
- estable - las paredes laterales y el techo deben tener un espesor de al menos 5/8" (16 mm) y estar bien sujetos al suelo o la pared
- Profundidad mínima de paredes laterales acortadas 4" (100 mm)

Instalación side by side

En caso de una instalación side by side favor de tener en cuenta las prescripciones contenidas en las instrucciones de montaje.

Si es necesaria una pared de separación entre los aparatos, ésta debe ser al menos de 5/8" (16 mm) de ancho.

Ahorrar energía

Si sigue estas instrucciones, el aparato consume menos corriente.

Nota: La disposición de las piezas de equipo no afectará el consumo de energía de aparato.

Instalar el aparato	
Proteger el aparato de la luz directa del sol.	Cuando la temperatura ambiente es más baja, el aparato enfría con menos frecuencia, consumiendo menos corriente.
Coloque el aparato a la mayor distancia posible de radiadores, estufas u otras fuentes de calor: Distancia mínima de 1 1/4" (3 cm) con estufas eléctricas o de gas. Distancia mínima de 1 1/4" (30 cm) con estufas de aceite o carbón.	
Seleccione el lugar de instalación con una temperatura ambiente de aproximadamente 68 °F (20 °C).	
No cubrir u obstruir las aberturas de ventilación.	Cuando el aire caliente puede salir, el aparato enfría con menos frecuencia y por lo tanto consume menos corriente.
Ventilar diariamente la habitación.	
Usar el aparato	
Abrir la puerta del aparato solo brevemente.	El aire en el aparato no se calienta tanto. El aparato debe enfriar con menos frecuencia y, con ello, consumir menos corriente.
Transporte los alimentos en una hielera y colóquelos inmediatamente en el aparato.	
Dejar enfriar los alimentos o bebidas calientes hasta temperaturas ambientes antes de introducirlos en el aparato.	
Para utilizar el frío de los productos congelados descongele los productos congelados en el compartimento refrigerador.	
Siempre deje un poco de espacio entre los alimentos y el panel posterior.	El aire puede circular y la humedad del aire permanece constante. El aparato debe enfriar con menos frecuencia y, con ello, consumir menos corriente.
Envasar herméticamente los alimentos.	
No cubrir ni obstruir las aberturas de ventilación.	El aparato consume menos corriente cuando el aire caliente puede salir.
Aspirar las aberturas de ventilación una vez al año.	

Antes del primer uso

1. Retirar el material informativo y eliminar las cintas adhesivas, así como las láminas protectoras.
2. Limpiar el aparato.
→ "Limpiar" en la página 78

Conexión a la toma de agua

ATENCION

- La instalación y la conexión del aparato deben ser realizadas por personal especializado de acuerdo con las instrucciones de instalación adjuntas.
- Para evitar daños al aparato y para garantizar el correcto funcionamiento de la unidad, conectar el aparato solamente a una tubería de agua potable.
- Para evitar daños por agua, se debe instalar una válvula de cierre.

Presión del agua de la tubería de agua potable

ATENCION

Para evitar daños al aparato, se debe instalar un limitador de presión entre la toma de agua y el juego de mangueras, si la presión del agua excede el valor máximo.

Nota: Si la presión del agua es demasiado baja, las funciones correspondientes del aparato se verán perjudicadas.

- Por lo menos 0.2 Mpa (2 bar / 29 psi)
- Máximo 0.8 Mpa (8 bar / 116 psi)

Conexión a la red eléctrica

ATENCION

No conecte el aparato a enchufes de ahorro de energía electrónicos.

Nota: El aparato se puede conectar a convertidores conmutados por red o de onda sinusoidal.

Los convertidores conmutados por red se emplean en las instalaciones fotovoltaicas conectadas directamente a la red pública de abastecimiento de corriente eléctrica. En instalaciones aisladas deberán emplearse los convertidores de onda sinusoidal. Las instalaciones aisladas, por ejemplo en barcos o refugios de montaña, no tienen conexión directa a la red pública de corriente eléctrica.

1. Después de instalar el aparato, esperar al menos 1 hora antes de conectarlo, para evitar daños en el compresor.
2. Asegúrese de que la toma de corriente se ha instalado correctamente y cumple con los requerimientos exigidos.

Requisitos para las tomas de corriente

Toma de corriente	110 V ... 120 V
de	
Conductor de	60 Hz
protección	
Fusible	10 A ... 16 A

Carga simultánea máxima

Aparato	6 A
---------	-----

3. Conecte el aparato a una toma de corriente cerca del aparato.

La toma de corriente debe estar fácilmente accesible después de la instalación del aparato. En caso de que no pueda quedar accesible, se deberá instalar un dispositivo de separación omnipolar en la instalación eléctrica fija de acuerdo con las normas de instalación.

ADVERTENCIA

¡RIESGO DE DESCARGA ELÉCTRICA!

No utilice nunca tomas de corriente múltiples, ni cables de prolongación o adaptadores.

El aparato debe estar conectado a tierra adecuadamente.

Nunca corte o retire el tercer conductor (conductor a tierra) del cable de conexión a la red eléctrica.

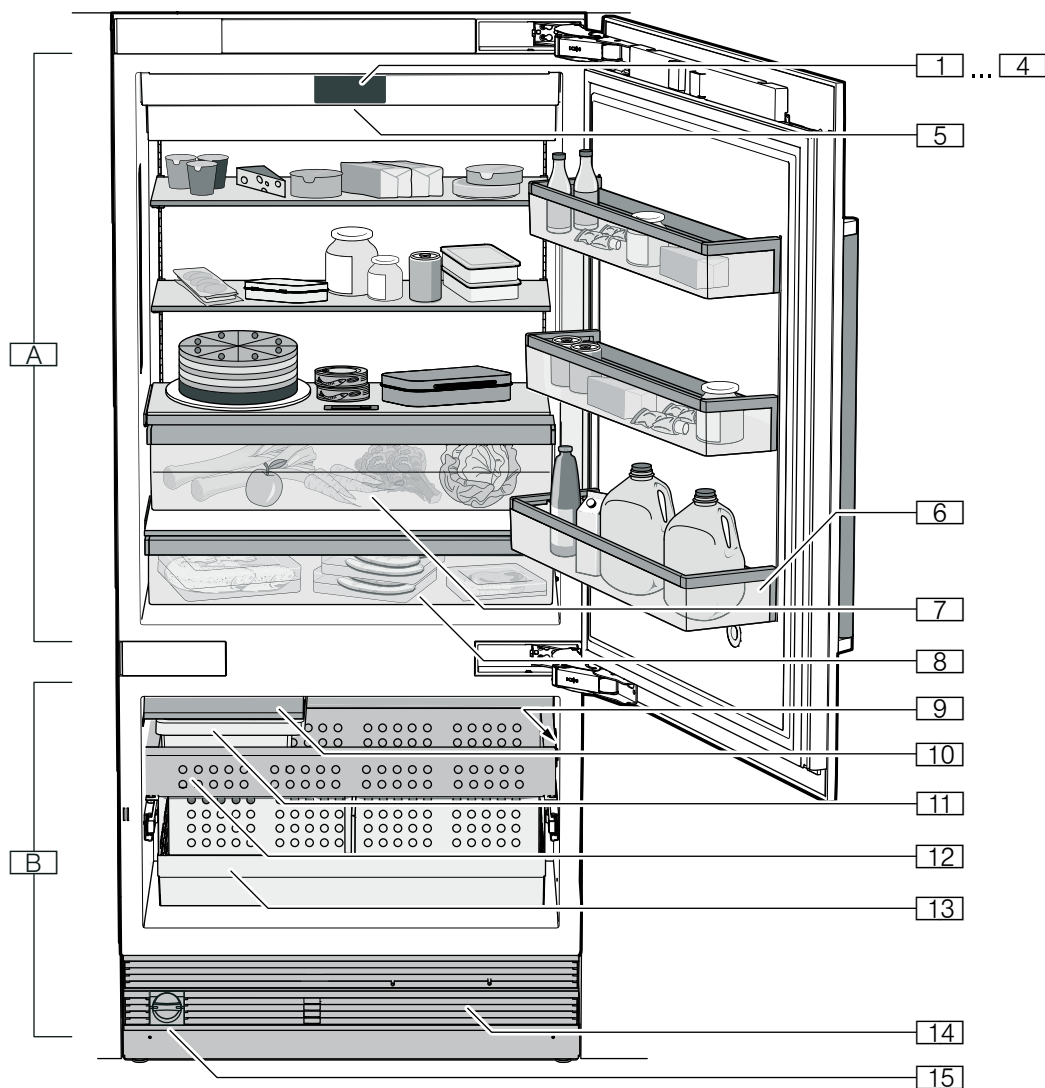
ADVERTENCIA

¡RIESGO DE DESCARGA ELÉCTRICA!

Si la longitud del cable de conexión a la red eléctrica no es suficiente, no utilice nunca ni tomas de corrientes múltiples ni cables de prolongación. Contacte al Servicio de atención al cliente para mayor información.

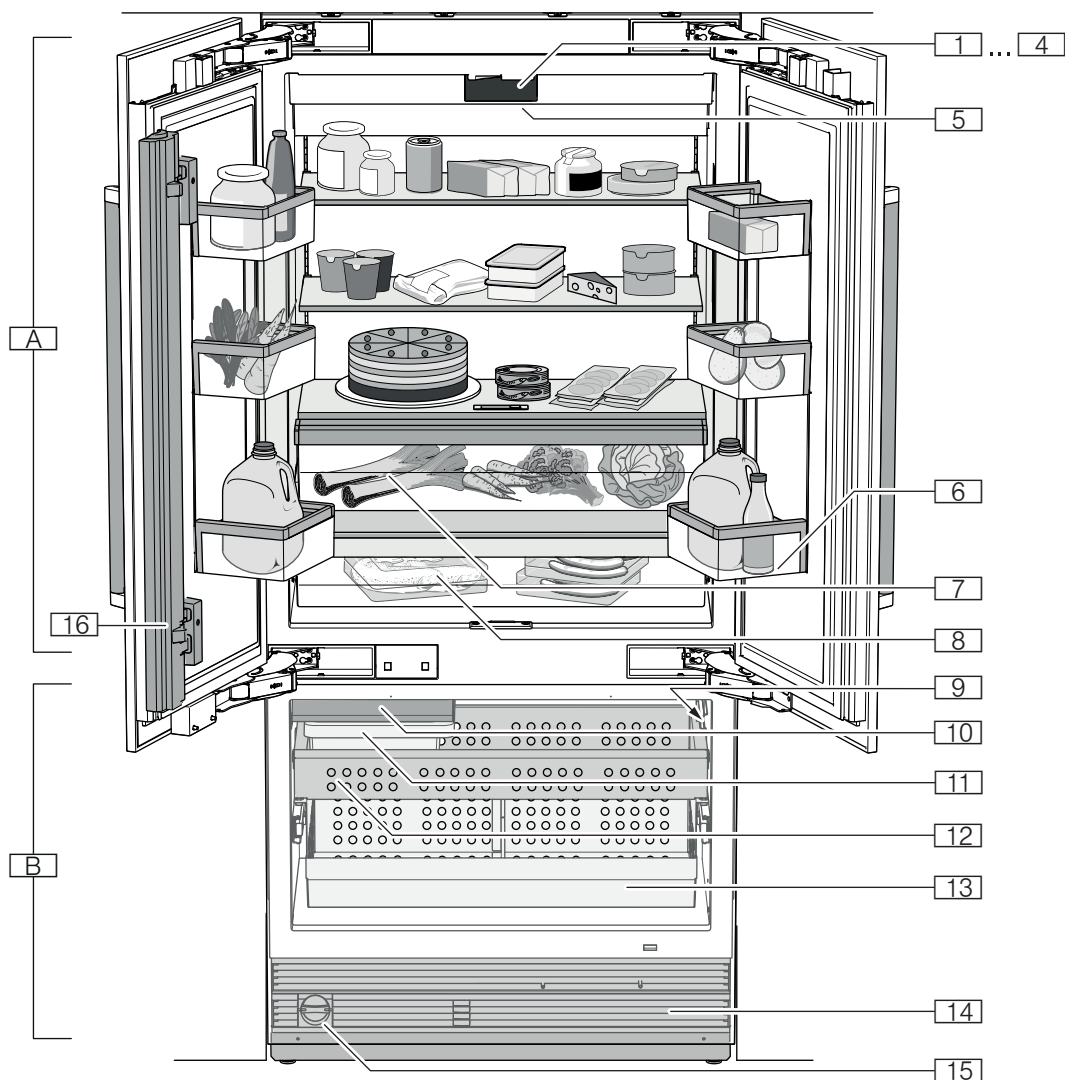
Familiarizándose con el aparato

Aparato de 2 puertas



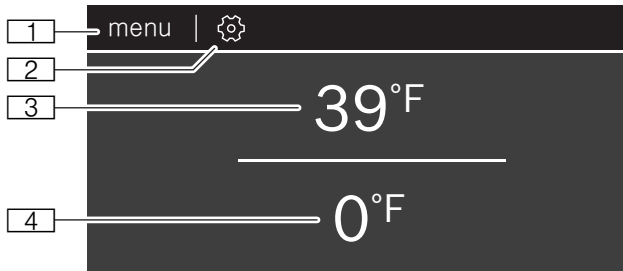
- | | | | |
|-----------------------|--|-----------|--|
| A | Compartimento refrigerador | 8 | Compartimento fresco |
| B | Congelador | 9 | Placa de características |
| 1 ... 4 | Controles | 10 | Máquina de hielo |
| 5 | Interruptor principal Encendido/
Apagado | 11 | Depósito para cubitos de hielo |
| 6 | Estante para guardar botellas grandes | 12 | Recipiente para productos congelados
(grande) |
| 7 | Contenedor para verduras con
regulador de humedad | 13 | Recipiente para productos congelados
(grande) |
| | | 14 | Abertura de ventilación |
| | | 15 | Filtro de agua |


Aparato de 3 puertas



- | | | | |
|--------------|--|-----------|--|
| A | Compartimento refrigerador | 9 | Placa de características |
| B | Congelador | 10 | Máquina de hielo |
| 1...4 | Controles | 11 | Depósito para cubitos de hielo |
| 5 | Interruptor principal Encendido/
Apagado | 12 | Recipiente para productos congelados |
| 6 | Estante para guardar botellas grandes | 13 | Recipiente para productos congelados
(grande) |
| 7 | Contenedor para verduras con
regulador de humedad | 14 | Abertura de ventilación |
| 8 | Compartimento fresco | 15 | Filtro de agua |
| | | 16 | Montante de puerta con protección
contra condensación |

Controles




- 1 Tecla **menu**
Abre la selección de modo de funcionamiento.
- 2 Tecla 
Abre el menú **Ajustes**.
→ "Ajustes" en la página 67
- 3 Indicación de la temperatura del compartimento refrigerador.
Muestra la temperatura programada en °C/°F.
- 4 Indicación de la temperatura del congelador
Muestra la temperatura programada en °C/°F.

Selección modo de funcionamiento


Para abrir la selección modo de funcionamiento pulsar la tecla **menu**.

Para activar un modo de funcionamiento, este debe pulsarse brevemente. Cuando el modo de funcionamiento está activado, este se muestra en rojo en el menú **Selección modo de funcionamiento**.


Aparece una ventana informativa con datos adicionales sobre el modo de funcionamiento seleccionado.



Modo Eco
Conmutar el aparato al funcionamiento de ahorro de energía.
→ "Modo Eco" en la página 71






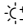
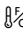



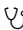


Modo Sabbat
Ahorro de energía en caso de una ausencia prolongada.
→ "Modo de vacaciones" en la página 71



Modo Sabbat
Con este modo se desconectan todas las funciones que no son necesarias para que también pueda usar el aparato en Sabbat.
→ "Modo Sabbat" en la página 71

Ajustes

Para abrir los ajustes pulsar .

-  **Idioma**
Modifica el idioma de la pantalla.
-  **Home Connect**
Conecta el aparato refrigerador con su dispositivo móvil.
→ "Home Connect" en la página 72
-  **Tonos**
Ajusta el volumen de los tonos de las teclas y de la señal acústica.
-  **Brillo de la pantalla**
Regula el brillo de la pantalla.
-  **Unidad de temperatura**
Selecciona la unidad de temperatura °C/°F.
-  **Producción de cubitos de hielo**
Inicia o detiene la producción de cubitos de hielo. Resulta útil detener la producción de cubitos de hielo antes de realizar la limpieza del congelador o en caso de ausencia prolongada.
-  **Contador filtro de agua**
Restablece el contador de filtro de agua cuando se reemplaza el filtro de agua. Si este se cambia por un cartucho de filtro con bypass, puede apagarse el contador de filtro de agua.
→ "Filtro de agua" en la página 69
-  **Ajustes de fábrica**
Se restablecen los ajustes del aparato al estado de suministro.
-  **Autocomprobación**
Inicia el análisis de errores en su aparato.
-  **Protección de condens. (solo en aparatos de 3 puertas)**
En el montante de puerta de los aparatos de 3 puertas hay una calefacción integrada que impide la condensación. En este menú puede activar o desactivar la protección de condensación.
→ "Activar o desactivar la protección contra condensación" en la página 71
-  **Modo Demo**

Nota: En el Modo Demo no almacenar alimentos, el aparato permanecerá a temperatura ambiente.

La función de refrigeración del aparato se apaga. Todas las demás funciones pueden seguir utilizándose.

Tras conectar el aparato esta opción de menú está visible durante 3 minutos. Para activar o desactivar el Modo Demo más tarde, desconecte y vuelva a conectar el aparato. El modo vuelve a estar visible durante 3 minutos.

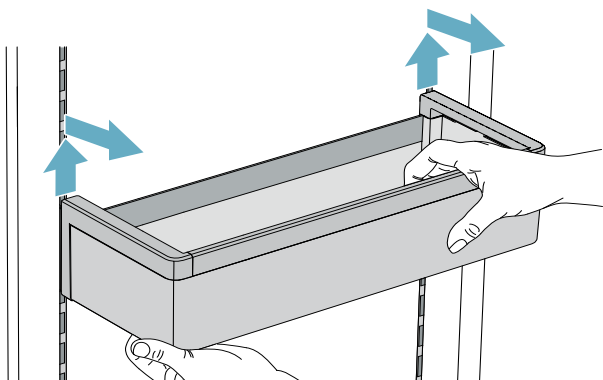
Equipamiento

(no disponible en todos los modelos)

Estantes

Puede sacar los estantes y variar su altura:

1. Levantar el estante y sacarlo.

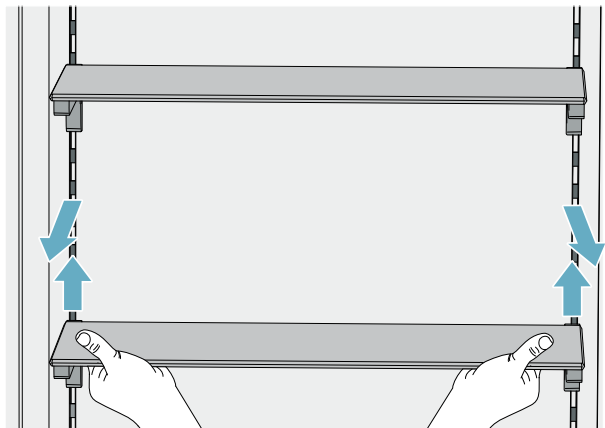


2. Al colocarlo, inserte los ganchos en la parte posterior del estante a la misma altura, de modo que el estante quede recto.

Nota: Coloque el estante con cuidado, para no rayar en el aparato.

Bandeja

Puede sacar y variar la bandeja:



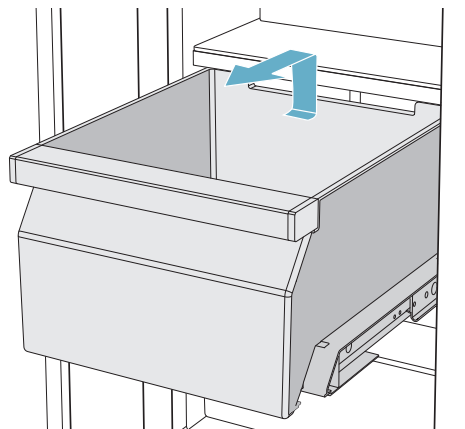
1. Levantar la bandeja y sacarla.
2. Al colocarla, inserte los ganchos en la parte posterior de la bandeja a la misma altura, de modo que la bandeja quede recta.

Nota: Coloque la bandeja con cuidado, para no rayar en el aparato.

recipientes

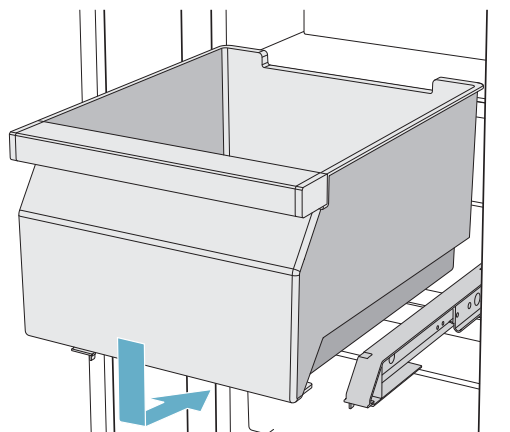
Para retirar el recipiente:

- Presione el recipiente hacia atrás,
- Levante el recipiente por detrás y extráigalo.



Para colocar el recipiente:

- Extraiga completamente los carriles telescópicos.
- Coloque el recipiente en los carriles telescópicos y empújelo en el aparato hasta que encaste.



Acumulador de frío

En caso de corte de corriente o avería:

- Los acumuladores de frío retrasan el calentamiento de los productos congelados almacenados.

Puede sacar los acumuladores de frío para mantener los alimentos temporalmente frescos, por ejemplo, en una hielera portátil.

Máquina de hielo

⚠ ATENCION

¡DAÑOS EN EL APARATO!

No almacene nunca botellas o alimentos en los recipientes de los cubitos de hielo, ni siquiera por un corto período de tiempo. Debido a esto, se puede bloquear la máquina de hielo y dañarse.

La producción de hielo se inicia tan pronto como el aparato alcance la temperatura establecida.

Notas

- Por motivos de higiene, deseche los primeros 30-40 cubitos de hielo.
- La producción de hielo se detiene automáticamente cuando el recipiente está lleno de hielo.

Información para encender o apagar la producción de cubitos de hielo

→ "Encender o apagar la producción de cubitos de hielo" en la página 71

Filtro de agua

Debe reemplazar el filtro de agua, a más tardar, después de 6 meses.

Si el hielo sabe desabrido, deseche los cubitos de hielo restantes y los que se produzcan en las próximas 24 horas. Si después de eso el hielo sigue sabiendo desabrido, cambie el filtro del agua.

Nota: Si usa un sistema externo de filtro de agua, puede utilizar el aparato también sin un filtro de agua interno. Para ello cambie el filtro de agua por un cartucho de filtro con bypass. Apague el contador de filtro de agua. No es necesario cambiar el cartucho de filtro con bypass.

Puede obtener un nuevo filtro de agua o un cartucho de filtro con bypass a través del Servicio al cliente o de un distribuidor.

Cambiar el filtro de agua o sustituirlo por un cartucho de filtro con bypass

Se puede cambiar el filtro de agua o sustituirlo por un cartucho de filtro con bypass. El cartucho de filtro con bypass puede quedarse permanentemente en el aparato, no necesita cambiarse.

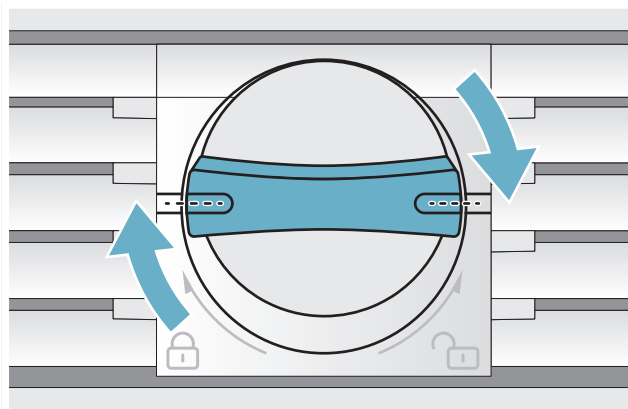
Nota: Después de montar un filtro de agua o un cartucho de filtro con bypass, desechar todos los cubitos de hielo producidos en las primeras 24 horas.

1. Girar la tapa del filtro de agua en el sentido contrario a las manecillas del reloj.
2. Sacar el filtro de agua.
3. Retirar la tapa del nuevo filtro de agua o del nuevo cartucho de filtro con bypass.
4. Retirar la cubierta del filtro de agua usado y colocarla sobre el nuevo filtro de agua o el nuevo cartucho de filtro con bypass.
5. Empujar el nuevo filtro de agua o el nuevo cartucho de filtro con bypass en la apertura del filtro hasta el tope.

Nota: La tapa tiene que estar vertical.

6. Girar el filtro de agua o el cartucho de filtro con bypass en el sentido de las manecillas del reloj hasta la marca.

Nota: Si no gira el filtro de agua o el cartucho de filtro con bypass lo suficiente, se pueden producir daños por el agua saliente.



7. Si se monta un filtro de agua: restablecer el contador de filtro de agua.
Si se monta un cartucho de filtro con bypass: apagar el contador de filtro de agua.
8. Desechar los cubitos de hielo que se produzcan en las primeras 24 horas.
9. Drenar el agua del filtro de agua usado.

Nota: Puede desechar el filtro de agua usado con la basura del hogar.



Manejo del electrodoméstico

Encender el aparato

1. Pulse el interruptor principal de encendido/apagado.

El aparato comienza a enfriar, y la iluminación se enciende cuando la puerta está abierta.

2. Ajustar la temperatura deseada. → "Ajustar la temperatura" en la página 70

Advertencias relativas al funcionamiento del aparato

- Después de encenderlo, el aparato puede necesitar varias horas hasta alcanzar las temperaturas ajustadas. No introducir alimentos en el aparato antes de alcanzar las temperaturas seleccionadas.
- Debido al sistema completamente automático NoFrost, el congelador permanece libre de hielo. La descongelación no es necesaria.
- Los lados frontales del compartimento se calientan en parte ligeramente. Esto evita la condensación en la zona de la junta de la puerta.
- En caso de no poder abrir la puerta del congelador inmediatamente después de cerrarla, aguarde unos instantes hasta que el vacío generado se haya igualado.

Apagar y cerrar el aparato

Apagar el aparato

- Pulse el **interruptor principal de encendido/apagado**.
El aparato deja de enfriar.

Desconectar el aparato

ATENCION

Reducción la calidad del agua

El suministro de agua debe estar apagado 3 horas antes de desconectar el aparato. Así se evita la formación de moho por el agua estancada.

Cuando no utilice el aparato por un período prolongado:

1. Interrumpir el suministro de agua al aparato y esperar durante 3 horas.
2. Sacar los alimentos.
3. Pulse el **interruptor principal de encendido/apagado**.
4. Desconectar el enchufe o apagar el fusible. El aparato deja de enfriar.
5. Vaciar el depósito de los cubitos de hielo y limpiar el aparato.
→ "Limpiar" en la página 78
6. Dejar el aparato abierto.

Ajustar la temperatura

Temperatura recomendada

Compartimento refrigerador: +39 °F (+4 °C)

Congelador: 0 °F (-18 °C)

Ajustar la temperatura del compartimento refrigerador y del congelador

1. Seleccionar el compartimento deseado pulsando brevemente el indicador de temperatura.
2. Ajustar el indicador de temperatura con el valor deseado.
3. Regresar a la pantalla principal con la tecla ⏪.

Super frío

Mediante esta función se enfría el compartimento refrigerador hasta alcanzar la temperatura más baja posible.

Conectar la función de super frío, p. ej.:

- Antes de introducir grandes cantidades de alimentos.
- Para enfriar bebidas rápidamente.

Nota: Si está activada la función de super frío, el nivel sonoro del aparato puede aumentar.

Después de aproximadamente 6 horas, el aparato vuelve a funcionamiento normal.

Encender o apagar la función súper frío

1. Seleccionar el compartimento refrigerador pulsando brevemente el indicador de temperatura.
2. Pulsar la tecla ❄.
- Al encenderse la función, aparece una ventana emergente en la que se explica dicha función.
3. Pulsar **Continuar**.
La ventana emergente se cierra y se regresa a la pantalla principal.

Nota: Si ha configurado la opción de que la ventana emergente no vuelva a aparecer, puede regresar a la pantalla principal con la tecla ⏪. En caso de que no pulse la tecla, el aparato guarda el ajuste y después de algunos segundos regresa automáticamente a la pantalla principal.

Supercongelación

Mediante esta función se enfría el congelador hasta alcanzar la temperatura más baja posible.

Conectar la función de supercongelación, p. ej.:

- para congelar los alimentos rápidamente hasta el núcleo
- 4 ... 6 horas antes de introducir alimentos frescos a partir de una cantidad superior a 2 kg

Nota: Si la función de supercongelación está activada, puede haber aumento de ruido.

Después de aproximadamente 2 ½ días, el equipo pasa a la operación normal.

Encender o apagar súper congelación

1. Seleccionar el congelador pulsando brevemente el indicador de temperatura.
2. Pulsar la tecla *****.
Al encenderse la función, aparece una ventana emergente en la que se explica dicha función.
3. Pulsar **Continuar**.
La ventana emergente se cierra y se regresa a la pantalla principal.

Nota: Si ha configurado la opción de que la ventana emergente no vuelva a aparecer, puede regresar a la pantalla principal con la tecla **◀**. En caso de que no pulse la tecla, el aparato guarda el ajuste y después de algunos segundos regresa automáticamente a la pantalla principal.

Modo Eco

Con el Modo Eco se conmuta el aparato al funcionamiento de ahorro de energía.

El aparato ajusta automáticamente las siguientes temperaturas:

- Compartimento frigorífico: +43 °F (6 °C)
- Congelador: +3 °F (-16 °C)

Modo de vacaciones

En caso de una ausencia prolongada puede cambiar el aparato al modo de ahorro de energía Vacaciones.

Durante este período no guarde alimentos en el compartimento refrigerador.

El aparato ajusta automáticamente las siguientes temperaturas:

- Compartimento refrigerador: +57 °F (+14 °C)
 - Congelador: no varía
- La producción de cubitos de hielo se desactiva.

Modo Sabbat

Con este modo se desconectan todas las funciones que no son necesarias para que también pueda usar el aparato en Sabbat.

Si el Modo Sabbat está activado, el aparato también puede utilizarse en Sabbat.

- El tiempo puede ajustarse de 1 a 96 horas
- Después de concluido el tiempo programado, el aparato vuelve al funcionamiento normal.
- Para terminar el Modo Sabbat antes de que concluye el tiempo programado, toque la pantalla y pulse **Apagar**.

El aparato detiene lo siguiente:

- Máquina de hielo
- Señales acústicas
- Iluminación interior
- Mensajes que aparecen en pantalla
- Se reduce la luz de fondo de la pantalla

Encender o apagar la producción de cubitos de hielo**⚠ ATENCION**

¡Daños en el aparato!

Nunca almacene botellas o alimentos en los recipientes de los cubitos de hielo, ni siquiera por un corto periodo de tiempo. De este modo, se puede bloquear la máquina de hielo y dañarse.

La producción de hielo se inicia tan pronto como el aparato alcance la temperatura establecida.

Nota: La producción de hielo se detiene automáticamente cuando el recipiente está lleno de hielo.

Activar o desactivar la protección contra condensación

Esta función solo está disponible en electrodomésticos con 3 puertas. Los electrodomésticos con 3 puertas están equipados con un montante de puerta con protección contra condensación.

Es posible abrir la puerta izquierda del compartimento refrigerador sin abrir previamente la puerta derecha.

⚠ ATENCION

¡No despliegue el montante de puerta cuando la puerta esté abierta! Al cerrar la puerta, este podría quedarse atrapado y dañarse o dañar el frontal del mueble de la puerta derecha.

En el montante de puerta hay una calefacción integrada que impide la condensación. Al activar o desactivar la protección contra condensación, dicha calefacción también se enciende o se apaga.

→ "Protección de condens. (solo en aparatos de 3 puertas)" en la página 67

Home Connect

Este aparato funciona con Wi-Fi y puede controlarse de forma remota a través de un dispositivo móvil.

Nota: Wi-Fi es una marca registrada de Wi-Fi Alliance.

El aparato funciona, en los siguientes casos, como un aparato para refrigeración sin conexión a la red doméstica y se puede seguir manejando manualmente a través de los mandos:

- El aparato no está conectado a una red doméstica.
- El servicio Home Connect no se ofrece en el país en el que está instalado el aparato. Encontrará una lista de los países en los que se ofrece Home Connect en www.home-connect.com.

Nota: Tenga en cuenta las indicaciones de seguridad de este manual. Asegúrese de respetarlas también cuando utiliza el aparato mediante la aplicación Home Connect desde fuera de casa.

→ "Indicaciones de seguridad importantes" en la página 59

Tenga en cuenta también las instrucciones de la aplicación Home Connect.

Configurar Home Connect

Notas

- Después de conectar el aparato, espere al menos 2 minutos antes de configurar Home Connect. Solo entonces concluye la inicialización interna del aparato.
- Tenga en cuenta la hoja adjunta de Home Connect que acompaña al aparato o que está disponible para su descarga en www.bosch-home.com en la sección de las instrucciones. Para ello, introduzca el número de producto (E-Nr.) de su aparato en el cuadro de búsqueda.

Para conectar su aparato a la red doméstica WLAN (Wi-Fi) son necesarios 3 pasos básicos.

1. Instalar la aplicación.
2. Conectar el refrigerador a la red doméstica WLAN (Wi-Fi).
3. Conectar el refrigerador con la aplicación Home Connect.

Al abrir el menú por primera vez, usted será guiado automáticamente a través de la configuración inicial. Siga las instrucciones del panel de mando. En los siguientes capítulos encontrará mayor información.

En el menú **Home Connect** encuentra los siguientes submenús:

- Activar y desactivar Wi-Fi
- Conectar con la aplicación
- Actualización de software
- Borrar los ajustes de red

Configuración de la conexión con la red doméstica (WLAN)

Al abrir el menú por primera vez, usted será guiado automáticamente a través de la configuración inicial. Siga las instrucciones del panel de mando.

1. Instalar la aplicación **Home Connect** en su dispositivo móvil.
2. En el aparato refrigerador abrir el menú **Home Connect**.
3. Abrir la aplicación en el dispositivo móvil.
4. Iniciar sesión en la aplicación o registrarse si todavía no se ha creado un acceso.
5. Comprobar en el router de la red doméstica si existe una función WPS para la conexión automática.
6. Si dicha función está disponible, iniciar la conexión automática a la red y seguir las instrucciones del panel de mando.
7. Cuando la función mencionada no esté disponible o no esté seguro de ello, o bien cuando haya fallado la conexión automática a la red, iniciar la conexión manual a la red. El aparato refrigerador genera temporalmente una red propia a la que se conecta el dispositivo móvil.
8. Iniciar la conexión manual a la red en la aplicación del dispositivo móvil.

Tan pronto como el aparato refrigerador esté conectado al dispositivo móvil, se establecerá una conexión entre el aparato refrigerador y la red doméstica (Wi-Fi).

Nota: Si no es posible establecer la conexión, compruebe si hay suficiente recepción.

Comprobar la intensidad de la señal

La intensidad de la señal se muestra en el panel de mando. El valor de intensidad de la señal debería ser como mínimo de 1 barra adicionalmente al punto. Si la intensidad de la señal es demasiado baja, la conexión puede interrumpirse temporalmente.

Mejorar la intensidad de señal

- Coloque el router más cerca del aparato refrigerador.
- Asegúrese de que la conexión no está interrumpida por paredes de apantallamiento.
- Instale un repetidor para intensificar la señal.

Conectar el aparato refrigerador con la aplicación Home Connect

Con este menú usted puede conectar su aparato refrigerador con otros dispositivos móviles.

1. Instalar la aplicación **Home Connect** en el dispositivo móvil y registrarse o iniciar sesión.
2. En el aparato refrigerador abrir el menú **Home Connect**.
3. Pulsar la opción de menú **Conectar con la aplicación**.
4. Confirme el mensaje para mostrar el aparato refrigerador en la aplicación.
5. Abrir la aplicación y esperar hasta que se muestre el aparato refrigerador.
Con **Añadir** confirmar la conexión entre la aplicación y el aparato refrigerador.
Si el aparato refrigerador no se muestra automáticamente, hacer clic en la aplicación en **Añadir aparato** y seguir las instrucciones. En cuanto se muestre el aparato refrigerador, añadirlo con **+**.
6. Seguir las instrucciones de la aplicación hasta que el proceso haya finalizado.

Instalar la actualización de software de Home Connect

El aparato refrigerador comprueba a intervalos regulares si existen actualizaciones para el software de Home Connect.

Cuando hay una actualización disponible, aparece una ventana de indicación en el panel de mando. Para instalar la actualización pulsar **Instalar ahora**.


Instalar la actualización más tarde:

1. Abrir el menú **Home Connect**.
2. Pulsar **Actualización de software**.
Nota: Este menú solo es visible cuando hay una actualización disponible.
Aparece una ventana de indicación.
3. Para instalar la actualización pulsar **Instalar ahora**.

Acceso del servicio al cliente

Cuando se ponga en contacto con el servicio al cliente, este podrá acceder a su aparato y registrar su estado con su previo consentimiento. Para ello, el aparato debe estar conectado a la red doméstica.

Puede encontrar más información sobre el acceso de servicio al cliente y la disponibilidad del mismo en su país en www.home-connect.com, en la sección Ayuda y asistencia.

1. Contactar al servicio al cliente.
→ *"Servicio al cliente" en la página 83*
2. Confirmar en la aplicación el inicio del acceso de servicio al cliente.
Durante el acceso de servicio al cliente aparece el símbolo  en el panel de mando.
3. En cuanto el servicio al cliente haya reunido la información necesaria, se desconectará de su aparato.

Nota: Usted puede interrumpir el diagnóstico remoto antes de tiempo desconectando el acceso de servicio al cliente en la aplicación Home Connect.

Restablecer los ajustes

Si al intentar establecer la conexión se produce un problema o si desea registrar el aparato en otra red doméstica WLAN (Wi-Fi), los ajustes de Home Connect pueden restablecerse.

1. En el aparato refrigerador abrir el menú **Home Connect**.
2. Pulsar la opción de menú **Restablecer los ajustes**.
3. Confirme el mensaje para borrar los ajustes de red.

Para volver a conectar el aparato con la red doméstica WLAN (Wi-Fi), ejecute de nuevo la configuración inicial.

→ *"Configuración de la conexión con la red doméstica (WLAN)" en la página 72*

Activar o desactivar la conexión con la red doméstica WLAN (Wi-Fi)

1. En el aparato refrigerador abrir el menú **Home Connect**.

Nota: Al abrir el menú por primera vez, usted será guiado automáticamente a través de la configuración inicial. Siga las instrucciones del panel de mando.

2. Seleccionar **Desconectar Wi-Fi**.
3. Pulsar **Continuar** para iniciar la desconexión.
4. Tan pronto como se desactiva la conexión con la red doméstica se muestra el mensaje **Wi-Fi desconectado**. Confirmar el mensaje pulsando **Ok**.

Nota: Mientras la conexión con la red doméstica esté desactivada, usted no podrá manejar su aparato a través del dispositivo móvil.

Indicaciones sobre protección de datos

Al conectar por primera vez su aparato Home Connect a una red doméstica asociada a internet WLAN (Wi-Fi), el aparato transmite las siguientes categorías de datos al servidor Home Connect (registro inicial):

- Identificación unívoca del aparato (compuesta por la clave del aparato y la dirección MAC del módulo de comunicación Wi-Fi utilizado).
- Certificado de seguridad del módulo de comunicación Wi-Fi (para la protección técnica de la información de la conexión).
- Las versiones actuales del software y hardware del electrodoméstico.
- El estado de un posible restablecimiento previo a los ajustes de fábrica.

El registro inicial prepara la utilización de las funciones Home Connect y solo es necesario la primera vez que se vayan a utilizar las funciones Home Connect.

Nota: Tenga en cuenta que las funciones Home Connect solo se pueden utilizar en conexión con la aplicación Home Connect. Se puede consultar la información relativa a la protección de datos en la aplicación Home Connect.

Alarma

Alarma de la puerta

Si la puerta del aparato permanece abierta durante un tiempo prolongado, se activa la alarma de la puerta. Aparece un mensaje en el panel de control.

Apagar la alarma de la puerta

- Cerrar la puerta.

Nota: Para silenciar la alarma de la puerta, es suficiente confirmar el mensaje en el panel de control. Si la puerta está todavía abierta después de unos minutos, el mensaje vuelve a aparecer.

Alarma de temperatura

Si se pone demasiado caliente el congelador, se activará la alarma de temperatura. Aparece un mensaje en el panel de control. En el mensaje aparece la temperatura más alta que ha prevalecido en el congelador.

ATENCION

DURANTE LA DESCONGELACIÓN DE LOS ALIMENTOS PUEDEN APARECER BACTERIAS QUE PUEDEN ECHARLOS A PERDER

No volver a congelar los alimentos que se hayan descongelado o empezado a descongelar.

Solo después de cocinarlos o freírlos, se podrán volver a congelar. El período máximo de almacenamiento ya no se podrá utilizar.

Nota: Sin peligro para los alimentos, la alarma puede activarse en los siguientes casos:

- El aparato se pone en funcionamiento, pero no hay alimentos almacenados.
- Se han almacenado grandes cantidades de alimentos.
- La puerta del congelador estuvo abierta por mucho tiempo.

Apagar la alarma de temperatura

1. Asegúrese de que se ha corregido la causa para la alarma de temperatura.
2. Para confirmar el mensaje, pulse la tecla **Ok**. El mensaje desaparece. El panel de control muestra nuevamente la temperatura establecida. A partir de este momento se vuelve a determinar la temperatura más elevada, quedando esta almacenada.

Compartimento refrigerador

El compartimento refrigerador es el lugar ideal para guardar carne, embutido, pescado, productos lácteos, huevos y platos cocinados, así como productos de panadería.

La temperatura se puede ajustar desde 36 °F (2 °C) hasta 46 °F (8 °C).

Con la conservación en frío también puede conservar a corto y medio plazo alimentos perecederos. Cuanto más baja sea la temperatura elegida, más lentamente se desarrollarán los procesos enzimáticos, químicos y de deterioro de los alimentos causados por microorganismos. Una temperatura de +39 °F (+4 °C) o más baja garantiza la frescura y conservación óptimas de los alimentos guardados.

Puntos a observar al guardar los alimentos

Nota: Evite el contacto entre los alimentos y el panel posterior.

De lo contrario la libre circulación del aire quedará afectada y los alimentos o envases podrían quedar adheridos al panel posterior.

- Guarde alimentos frescos y en perfectas condiciones.
De este modo conservarán su calidad y frescura durante más tiempo.
- En el caso de productos precocinados o alimentos envasados deberán observarse las fechas de caducidad o de consumo señaladas por el fabricante.
- Para conservar el aroma, color y frescura, guarde los alimentos bien envueltos o cubiertos.
De esta manera se evita la mezcla de olores y sabores, así como la descoloración de las piezas de plástico.
- Dejar enfriar los alimentos o bebidas calientes hasta una temperatura ambiente antes de introducirlos en el aparato.

Prestar atención a las diferentes zonas de frío del compartimento refrigerador

En función de la circulación del aire en el interior del compartimento refrigerador, se crean diferentes zonas de frío.

La zona más fría

La zona más fría se encuentra en la parte interior del panel posterior y en el compartimento fresco.

Nota: Guarde los alimentos más delicados (por ejemplo, pescado, embutidos, carne) en la zona más fría.

La zona menos fría



La zona menos fría se encuentra en la parte superior de la cara interior de la puerta.

Nota: Guarde en la zona menos fría, por ejemplo, el queso curado y la mantequilla. De esta manera el queso conservará su aroma y la mantequilla se podrá untar en el pan fácilmente.

Contenedor para verduras con regulador de humedad

El contenedor para verduras es el lugar ideal para guardar frutas y verduras frescas. En el contenedor para verduras, la humedad del aire se puede ajustar a través de un mando regulador y un cierre especial. De esta manera se pueden guardar la fruta y verdura hasta dos veces más tiempo que en caso de almacenamiento convencional.

La humedad del aire en el contenedor para verduras se puede ajustar de acuerdo con el tipo y la cantidad de mercancía que se vaya a almacenar:

- preferentemente para guardar fruta, así como en caso de existir una gran cantidad de alimentos frescos – ajustar un menor nivel de humedad con la posición del regulador 
- preferentemente para guardar verdura, así como en caso de carga mixta o existir una pequeña cantidad de alimentos frescos – ajustar un mayor nivel de humedad con la posición del regulador 

Notas

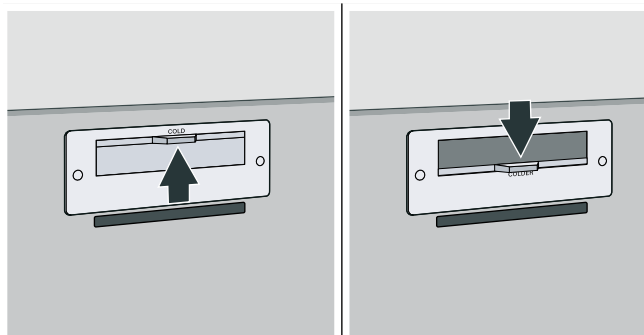
- Guarde las frutas sensibles al frío (p. ej. piñas, plátanos, papayas y cítricos) y las verduras (p. ej. berenjenas, pepinos, calabacines, pimientos, tomates y papas) fuera del aparato a una temperatura de aprox. +46 °F (+8 °C) ... +54 °F (+12 °C) 54a fin de conservar óptimamente su calidad y sabor.
- Dependiendo de la cantidad y el tipo de productos almacenados, se puede formar agua de condensación en el contenedor para verduras.
Retire el agua de la condensación con un paño seco y ajuste la humedad del aire en el contenedor para verduras a través del regulador de humedad.

Compartimento fresco

El compartimento fresco tiene temperaturas más bajas que el compartimento refrigerador. Se pueden presentar temperaturas inferiores a + 32 °F (0 ° C).

Ideal para guardar pescados, carnes y embutidos. No es apropiado para guardar lechugas y verduras ni alimentos sensibles al frío.

Puede modificar la temperatura en el compartimento fresco mediante la abertura de ventilación. Desplace el termostato hacia abajo para obtener una temperatura más baja. Desplace el termostato hacia arriba para elevar la temperatura.



Congelador

El congelador es adecuado para:

- El almacenamiento de alimentos congelados
- La producción de cubitos de hielo
- Congelar alimentos

La temperatura se puede ajustar desde -11 °F (-24 °C)...hasta +7 °F (-14 °C).

Mediante el almacenamiento en congelación, puede conservar los alimentos perecederos durante largo tiempo sin que sufran prácticamente pérdidas en su calidad, debido a que las bajas temperaturas ralentizan fuertemente o incluso detienen los procesos de deterioro. La apariencia, el aroma y todos los ingredientes valiosos se conservan, en su mayor parte.

El intervalo de tiempo entre el almacenamiento de los alimentos frescos y la congelación total depende de los siguientes factores:

- temperatura ajustada
- tipo de alimento
- Cantidad de alimentos guardados en el congelador
- Cantidad y tipo del almacenamiento

Aprovechar toda la capacidad de congelación del aparato

Para introducir la mayor cantidad de alimentos posible en el congelador:

- Retirar el recipiente de productos congelados (pequeño).
- Guardar los alimentos en el recipiente para productos congelados (grande).

Al comprar alimentos congelados

- Asegúrese de que el envase no está dañado.
- Tenga en cuenta la fecha de caducidad.
- La temperatura en el mostrador de ventas debe ser 0 °F (-18 °C) o más fría.
- No debe interrumpirse la cadena de frío: transporte los alimentos congelados en una bolsa térmica y póngalos rápidamente en el congelador.

Al ordenar prestar atención

- Congelar las cantidades más grandes de alimentos en el estante superior. Allí se congelan particularmente rápido y en forma óptima.
- Colocar los alimentos distribuyéndolos ampliamente en los compartimentos o recipientes del congelador.
- Los alimentos congelados no deben entrar en contacto con los alimentos frescos que se desean congelar. En caso necesario, vuelva a apilar los alimentos congelados en los recipientes del congelador.
- Para asegurar una buena circulación de aire en el aparato, es importante: Introducir los recipientes del congelador hasta el tope.

Congelar los alimentos frescos

Para congelar utilice únicamente alimentos frescos y en buen estado.

Los alimentos que se consumen cocidos, fritos u horneados son más adecuados para la congelación que los alimentos que se consumen crudos.

Antes de congelar, se deben llevar a cabo los procesos de preparación según el tipo de alimento para preservar el valor nutritivo, el aroma y el color de la mejor forma posible:

- Verdura: lavarla, picarla, escaldarla.
- Fruta: lavarla, quitarle las semillas y eventualmente pelarla. Dado el caso, añadirle azúcar o una solución de ácido ascórbico.

Encontrará las indicaciones en la bibliografía especializada.

Alimentos adecuado para congelar

- Productos de panadería
- Pescado y mariscos
- Carne
- Carnes de caza y aves de corral
- Verduras, frutas y hierbas
- Huevos sin cáscara
- Productos lácteos tales como queso, mantequilla y requesón
- Platos cocinados y sobras de comida, como por ejemplo sopas, estofados, carnes o pescados cocinados, platos de patatas, guisos y postres

Alimentos no adecuados para congelar

- Verduras que se consumen normalmente crudas, como por ejemplo lechugas o rabanitos
- Huevos con su cáscara o huevos duros
- Uvas
- Manzanas enteras, peras y melocotones
- Yogur, leche agria, crema agria, crema fresca y mayonesa

Envasado de los productos congelados

El tipo correcto de los envases y materiales son determinantes en gran medida para conservar la calidad del producto y evitar el desarrollo de las quemaduras por congelación.

1. Introducir los alimentos en el envase.
2. Eliminar el aire.
3. Sellar el envase herméticamente, para que los alimentos no pierdan su sabor o se deshidraten.
4. Etiquetar los envases con el contenido y la fecha de congelación.

Materiales indicados para el envasado:

- Película plástica
- Rollos de película de polietileno (PE)
- Papel de aluminio
- Recipientes para congelar

Cierres adecuados:

- Anillos de goma
- Clips de plástico
- Cinta adhesiva no congelable

Materiales no apropiados para el envasado:

- Papel de estraza
- Papel de pergamino
- Celofán
- Bolsas de basura y bolsas de compra ya usadas

Tiempo de conservación de los productos congelados a 0 °F (-18 °C)

Pescado, embutidos, comidas preparadas, productos de panadería:	hasta 6 meses
Aves de corral, carne:	hasta 8 meses
Fruta, verdura:	hasta 12 meses

Descongelar los productos congelados

El método de descongelación se deberá adaptar al tipo de alimento y al objetivo de utilización, para mantener la calidad del producto lo mejor posible.

Métodos de descongelación:

- en el compartimento refrigerador (especialmente adecuado para alimentos de origen animal como pescado, carne, queso)
- a temperatura ambiente (pan)
- microondas (alimentos para ser preparados y consumidos de forma inmediata)
- horno/estufa (alimentos para ser preparados y consumidos de forma inmediata)

ATENCION

No volver a congelar los alimentos que se hayan descongelado o empezado a descongelar. Solo los podrá volver a congelar después de haberlos preparado (cocido o frito).

Ya no se debe utilizar el tiempo máximo de almacenamiento de los productos congelados.

Descongelación

Congelador

Debido al sistema completamente automático NoFrost, el congelador permanece libre de hielo. La descongelación ya no es necesaria.

Limpiar

ATENCION

EVITAR DAÑOS AL APARATO Y PIEZAS DEL EQUIPAMIENTO.

- No utilizar detergentes y disolventes que contengan arena, cloro o ácidos.
- No emplear esponjas abrasivas. En las superficies metálicas podría producirse corrosión.
- No limpiar nunca las bandejas y recipientes en el lavavajillas. Las piezas pueden deformarse.

Limpiar la pantalla

Debido al cambio de temperaturas y de la humedad del aire podrían empañarse los controles.

Para la limpieza utilice un paño de microfibra limpio.

Limpiar el interior del aparato

Proceder como se indica a continuación:

1. Pulse el **interruptor principal de encendido/apagado**.
2. Retirar los alimentos y guardarlos en un lugar frío.
Cuando estén disponibles: Coloque los acumuladores de frío sobre los alimentos.
3. Limpie el aparato con un paño suave, agua templada y un poco de jabón líquido de pH neutro.

ATENCION

El agua de lavado no debe entrar en la iluminación o por el agujero de drenaje a la zona de evaporación.

4. Limpie la junta de la puerta con agua limpia y séquela bien.
5. Vuelva a encender el aparato e introduzca los alimentos.

Limpiar los accesorios

Para la limpieza, extraer los elementos variables del aparato.

→ "Equipamiento" en la página 68

Indicación para la conservación de superficies de acero inoxidable

Para la conservación y limpieza de las superficies de acero inoxidable sólo utilice productos de limpieza apropiados para acero inoxidable y un paño de limpieza para acero inoxidable.

Puede adquirir un paño de limpieza apropiado para acero inoxidable a través del servicio posventa.

La conservación de la superficie de acero inoxidable debe realizarse en dirección de la estructura a fin de evitar arañazos visibles.

Olores

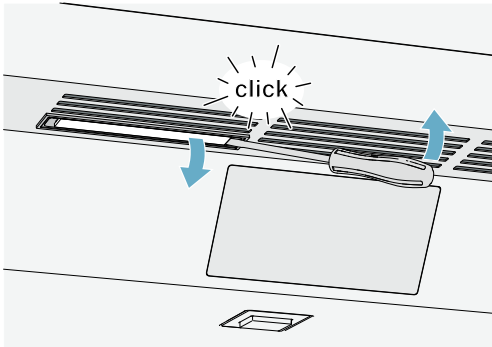
En caso de detectar olores desagradables:

1. Conectar y desconectar el aparato a través del interruptor principal.
2. Retirar todos los alimentos del aparato.
3. Limpiar el interior del aparato.
→ "Limpiar" en la página 78
4. Limpiar todos los embalajes.
5. Envasar herméticamente los alimentos de olor fuerte para evitar la formación de olores.
6. Encender el aparato de nuevo.
7. Acomodar los alimentos.
8. Verificar después de 24 horas si hay olores de nuevo.
9. Sustituir el filtro desodorizante.
→ "Sustituir el filtro desodorizante" en la página 79

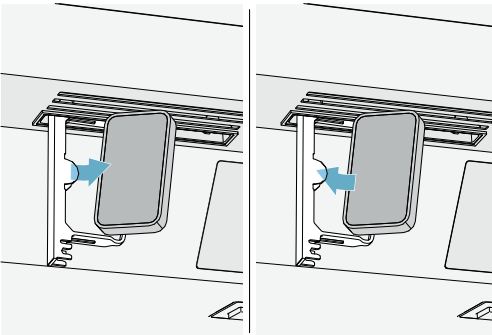
Sustituir el filtro desodorizante

Los filtros de repuesto se pueden adquirir en el Servicio Postventa Oficial.

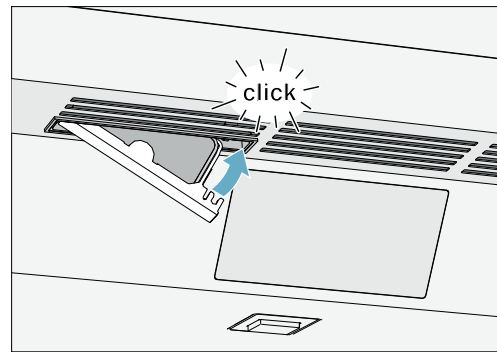
1. Abrir el soporte del filtro con un destornillador de ranura.



2. Retirar el filtro desodorizante agotado y sustituirlo por uno nuevo.



3. Cerrar el soporte del filtro.



Iluminación

Su aparato está equipado con una iluminación LED exenta de mantenimiento.

Sólo el Servicio al cliente o el personal autorizado puede reparar la iluminación.

Ruidos

Ruidos normales

Zumbido: Un motor está en marcha, por ejemplo, unidad de refrigeración, ventilador.

Burbujear, zumbar o borbotear: el refrigerante fluye a través de los tubos.

Cliquear: motor, interruptor o válvulas de solenoide, un interruptor de encendido o apagado.

Crujir: Se está realizando la descongelación automática.

Evitar ruidos

El aparato está desnivelado: Nivelar el aparato con ayuda de un nivel de burbuja. Calzar el aparato en caso necesario.

Los recipientes, bandejas o estantes vibran o están atascados: Verificar los elementos desmontables y, en caso necesario, colocarlos nuevamente.

¿Qué hacer en caso de avería?

Antes de llamar al Servicio al cliente, intente solucionar el problema, utilizando esta tabla.

Aparato

La temperatura difiere considerablemente del valor ajustado.	
	<p>Apagar el aparato durante 5 minutos. → "Apagar y cerrar el aparato" en la página 70</p> <p>Si la temperatura es demasiado alta, vuelva a comprobarla después de unas pocas horas.</p> <p>Si la temperatura es demasiado baja, vuelva a comprobarla al día siguiente.</p>
No se ilumina ninguna indicación.	
El enchufe no está correctamente insertado.	Conectar el enchufe.
El fusible se fundió.	Compruebe los fusibles.
Se interrumpió el suministro eléctrico.	Verificar si hay corriente.
El refrigerador se enciende con más frecuencia y durante más tiempo.	
El aparato se ha abierto con demasiada frecuencia.	No abrir la puerta del aparato innecesariamente.
Las rejillas de ventilación están cubiertas.	Eliminar la causa de la obstrucción.
Se colocaron grandes cantidades de alimentos frescos en el interior.	Activar con suficiente tiempo de antelación la función super frío.
El aparato no enfría, se iluminan la pantalla y la iluminación.	
El Modo Demo está activado.	<p>Desactive el Modo Demo. → "Ajustes" en la página 67</p>

Máquina de hielo

La máquina de hielo no funciona.	
Se desactivó la producción de hielo.	Encender la producción de hielo.
El congelador está demasiado caliente.	Fije la temperatura más fría. → "Manejo del electrodoméstico" en la página 70
El depósito para cubitos de hielo no está colocado correctamente.	Coloque el depósito para cubitos de hielo correctamente.
La máquina de hielo no tiene corriente.	Llamar al Servicio al cliente. → "Servicio al cliente" en la página 83
No llega nada de agua.	Compruebe la conexión de agua y, si es necesario, póngase en contacto con el instalador.
La presión del agua es demasiado baja.	Conecte el aparato solo a líneas con suficiente presión de agua.
Hay un doblez en la manguera de agua.	Cierre el suministro de agua, enderece el doblez. En caso necesario, cambie la manguera de agua.
Muy pocos cubitos de hielo o deformados, menos presión de agua de lo habitual.	
Después del encendido o de haber retirado varios cubitos de hielo, hay muy pocos cubitos de hielo en el depósito para cubitos.	Un depósito para cubitos de hielo vacío, se tarda aproximadamente 24 horas en llenarse.
La producción de hielo se detiene automáticamente pero el depósito para cubitos todavía no está lleno.	No se debe guardar la pala para hielo sobre el hielo del depósito para cubitos. De lo contrario el sensor no reconoce el nivel real de llenado del depósito.
La presión del agua es demasiado baja.	Conectar el aparato solo a líneas con suficiente presión de agua.
El filtro de agua está bloqueado o necesita cambiarse.	Cambiar el filtro de agua.
El congelador está demasiado caliente.	Fije la temperatura más fría. → "Manejo del electrodoméstico" en la página 70
Sale agua del aparato.	
La conexión de agua es inestanca.	Compruebe que las conexiones estén firmemente apretadas y la manguera de agua se encuentre en buen estado. Si la manguera de agua está dañada, póngase en contacto con el servicio al cliente para sustituirla. La sustitución puede ser efectuada por un representante del servicio al cliente o por una persona con una cualificación similar. Utilice sólo piezas originales del fabricante.



Servicio al cliente

En caso de no poder reparar la avería, póngase en contacto con el Servicio al cliente. Siempre encontramos una solución adecuada, y también evitamos visitas innecesarias de los técnicos.

Los datos de contacto de los centros de servicio más cercanos se pueden encontrar aquí o en el directorio adjunto de servicios al cliente.


Al llamar por favor indique el número de producto (E-Nr.) y el número de fabricación (FD) de su unidad, que se encuentran en la placa de características del aparato.

→ *"Familiarizándose con el aparato"*
en la página 65

Confíe en la experiencia del fabricante. De este modo, estará seguro de que la reparación es realizada por personal técnico especializado, que además, dispone de las piezas de repuesto originales para su electrodoméstico.

Autoprueba del aparato

Su aparato dispone de un programa automático de autoprueba que le indica las fallas, que su Servicio al cliente puede solucionar.

1. Pulsar la tecla  para abrir los ajustes.
2. Pulsar la opción de menú **Autocomprobación**.
3. Pulsar **Iniciar**.
Arranca el programa de autocomprobación.
4. Si existen errores, estos se mostrarán.
En ese caso, siga las instrucciones de la pantalla.
5. El aparato se reinicia.
6. Durante 10 segundos aparece el mensaje de que la autocomprobación se ha completado.

Después de finalizar la autocomprobación, el aparato vuelve al modo de funcionamiento normal.

Solicitud de reparación y asesoramiento en caso de averías

Los datos de contacto de todos los países los encontrará en el directorio adjunto de Servicio al cliente.



BSH Home Appliances Corporation

1901 Main Street, Suite 600,
Irvine CA 92614, USA

www.bosch-home.com



8001198420 (0010)
en-us, fr-ca, es-mx