

EXHIBIT 8
TECHNICAL SPECIFICATIONS

INTERTEK TESTING SERVICES

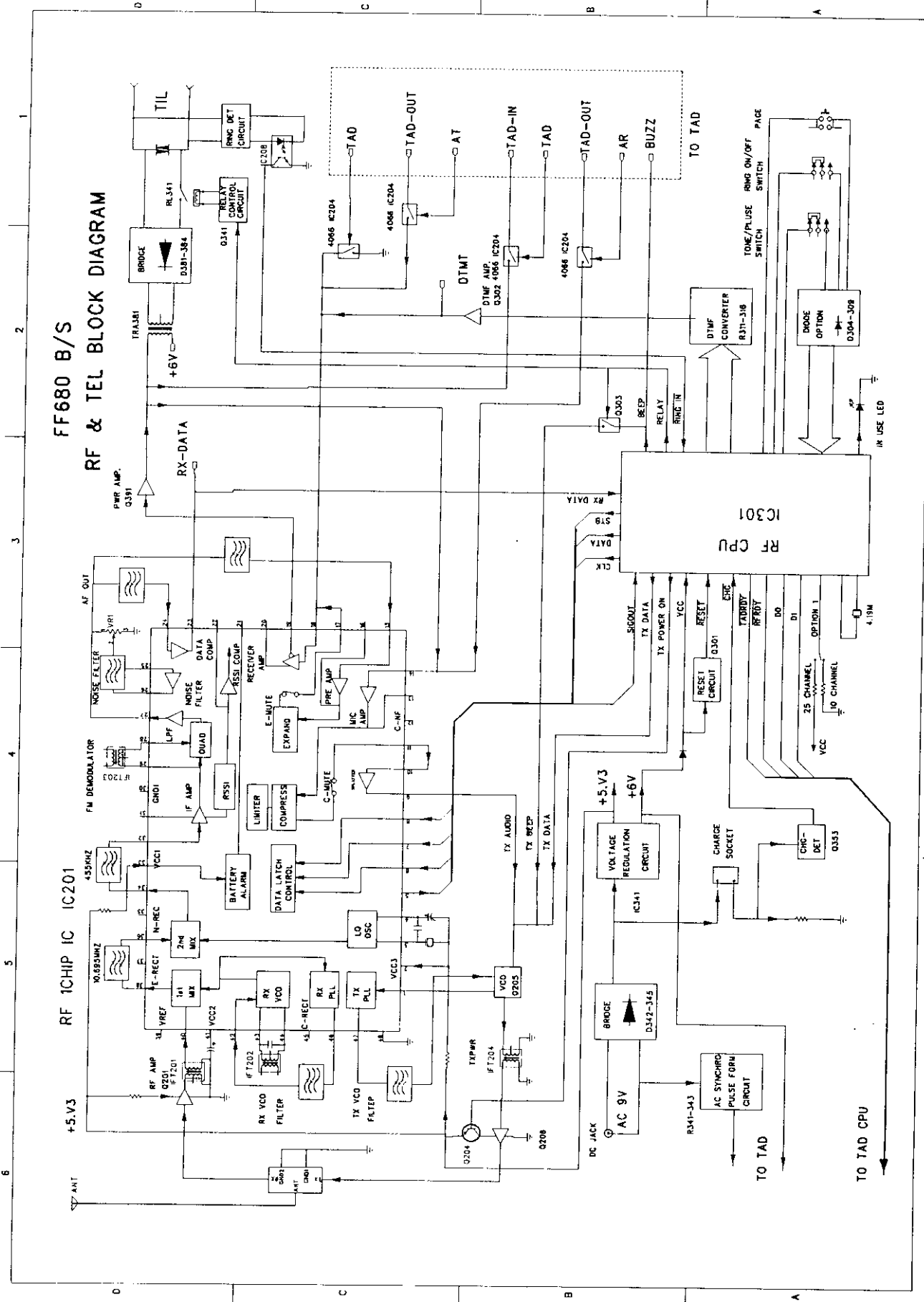
8.0 Technical Specifications

The block diagram and circuit diagram are attached in Exhibits 8.1 and 8.2 respectively.

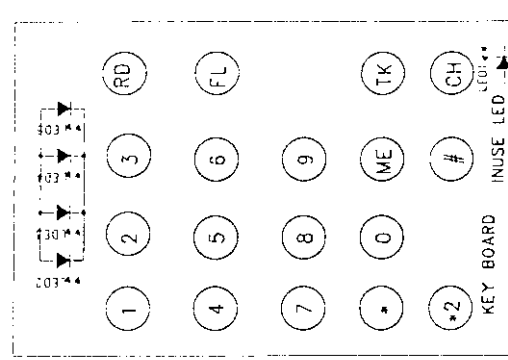
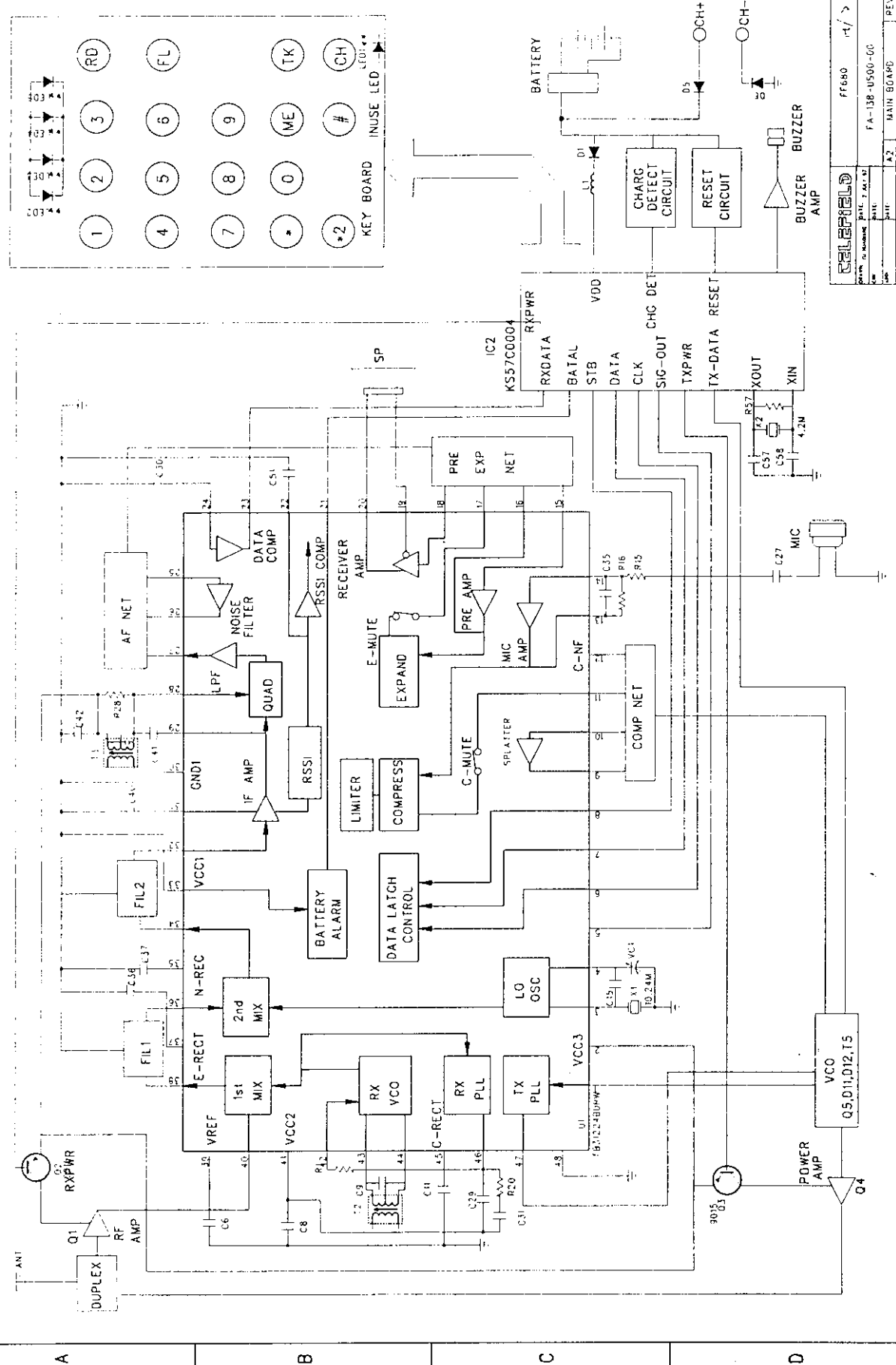
INTERTEK TESTING SERVICES

Figure 8.1 Cordless Telephone Block Diagram

FF680 B/S RF & TEL BLOCK DIAGRAM



1 2 3 4 5 6



FF680	
FA-138-4500-00	
REV:0	SCALE: 1:1
REV:0	SHEET: 1 OF 1