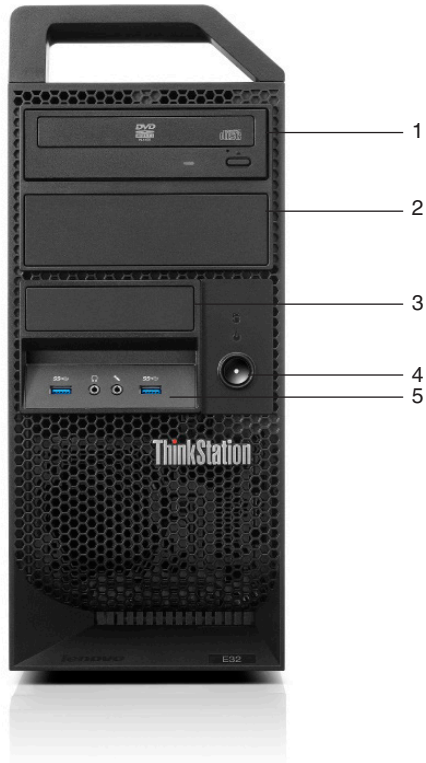
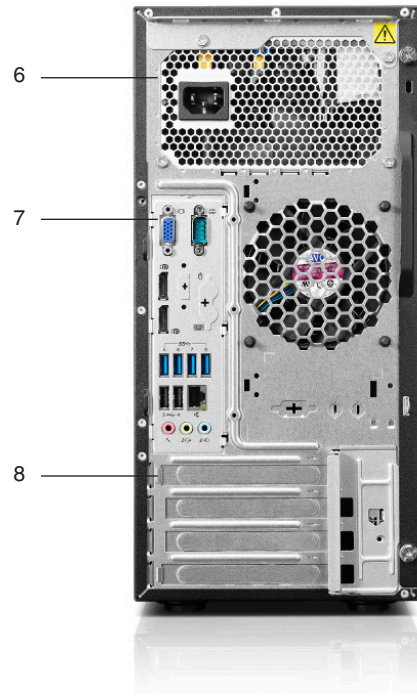


## ThinkStation E32 Tower - Overview



**Front view**

1. External 5.25" Bay for optical
2. External 5.25" Bay for optical or optional 3.5" hard drive bay
3. Media card reader (optional) or optional mSATA SSD drive
4. Power Button
5. Front I/O: 2 USB 3.0 (blue)  
1 Headphone  
1 Microphone



**Rear view**

6. 280 watts Power Supply, 80 PLUS Bronze
7. Rear I/O: 2 USB 2.0  
4 USB 3.0(blue)  
1 serial (9-pin)  
1 RJ-45 (GbE)  
1 line-in  
1 line-out  
1 microphone-in  
2 DisplayPort (for Intel HD Graphics)  
1 VGA (for Intel HD Graphics)
8. 1 PCIe 3.0 x16  
1 PCIe 2.0 x1  
1 PCIe 2.0 x16 (x4 elec)  
1 PCI

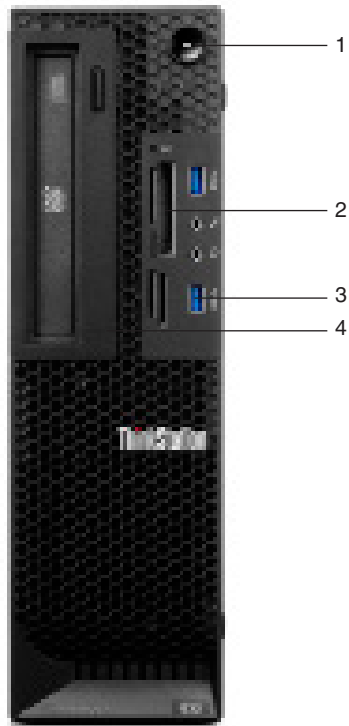
### Internal

- One LGA1150 socket, supports one processor from Intel Xeon E3-1200 v3, Core i7-4000, and Core-i5 4000 families
- 4 DIMM sockets, supports up to 32GB ECC or non-ECC UDIMM memory
- Up to three 3.5" hard drive bays, two 3.5" hard drive bays are standard

### Mechanical

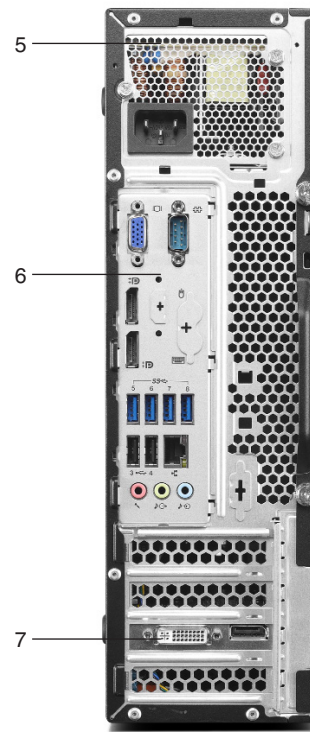
- Raven black color; metal case
- 6.9"W x 17.0"D x 16.7"H (with handle)
- 175mm W x 431mm D x 425mm H
- 27.56 lb (12.5kg) max configuration
- 25-liter

## ThinkStation E32 SFF - Overview



**Front view**

1. Power Button
2. Media card reader (optional)  
or optional mSATA SSD drive
3. Front I/O: 2 USB 3.0 (blue)  
1 Headphone  
1 Microphone
4. 1 External 5.25" Bay for optical  
or optional slim optical + 3.5" hard drive bay  
or optional standalone 3.5" hard drive bay



**Rear view**

5. 240 watts Power Supply, 80 PLUS Bronze
6. Rear I/O: 2 USB 2.0  
4 USB 3.0(blue)  
1 serial (9-pin)  
1 RJ-45 (GbE)  
1 line-in  
1 line-out  
1 microphone-in  
2 DisplayPort (for Intel HD Graphics)  
1 VGA (for Intel HD Graphics)
- 7.\* 1 PCIe 3.0 x16  
1 PCIe 2.0 x1  
1 PCIe 2.0 x16 (x4 elec)  
1 PCI

\* Discrete graphics adapter is optional

### Internal

- One LGA1150 socket, supports one processor from Intel Xeon E3-1200 v3, Core i7-4000, and Core-i5 4000 families
- 4 DIMM sockets, supports up to 32GB ECC or non-ECC UDIMM memory
- Up to two 3.5" hard drive bays and one 2.5" hard drive bay, one 3.5" hard drive bay is standard

### Mechanical

- Raven black color; metal case
- 13.35"W x 15.0"D x 3.93"H
- 338mm W x 375mm D x 102mm H
- 17.20 lb (7.8kg) max configuration
- 12.9-liter

# ThinkStation E32 Tower (30A1) - TopSeller (August 2013)

Product Specifications Reference (PSREF)

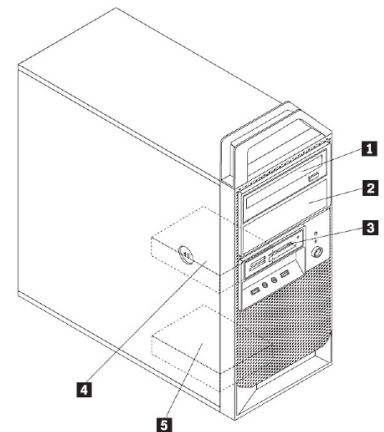
| Type-model | Processor                               | Memory (MHz/type) | Memory DIMMs | Intel HD Graphics | Discrete graphics adapters**                | Pre-conf RAID | Storage           | Optical | 29-in-1 Media reader | 1394 adptr | Chassis intrusion switch | Preloaded OS                     |
|------------|---|-------------------|--------------|-------------------|---|---------------|-------------------|---------|----------------------|------------|--------------------------|----------------------------------|
| 30A10007US | Core i5-4670 (4C/3.4GHz/6MB/1600MHz)    | 1600MHz Non-ECC   | 4GBx1        | Intel HD 4600     | 1xQuadro 410 (512MB, 1xDVI-I DL, 1xDP, 37W) | No            | 1x500GB 3.5" SATA | DVD±RW  | Media                | No         | Switch                   | Win7 Pro64 (Downgrade from Win8) |
| 30A10008US | Xeon E3-1230 v3 (4C/3.3GHz/8MB/1600MHz) | 1600MHz ECC       | 4GBx1        |                   | 1xQuadro K600 (1GB, 1xDVI-I DL, 1xDP, 41W)  | No            | 1x500GB 3.5" SATA | DVD±RW  | Media                | No         | Switch                   | Win7 Pro64 (Downgrade from Win8) |
| 30A10009US | Xeon E3-1245 v3 (4C/3.4GHz/8MB/1600MHz) | 1600MHz ECC       | 4GBx2        | Intel HD P4600    | 1xQuadro K2000 (2GB, 1xDVI-I DL, 2xDP, 51W) | No            | 1x1TB 3.5" SATA   | DVD±RW  | Media                | No         | Switch                   | Win7 Pro64 (Downgrade from Win8) |
| 30A1002JUS | Core i5-4570 (4C/3.2GHz/6MB/1600MHz)    | 1600MHz Non-ECC   | 4GBx1        | Intel HD 4600     |   | No            | 1x500GB 3.5" SATA | DVD±RW  | Media                | No         | Switch                   | Win7 Pro64 (Downgrade from Win8) |
| 30A1002KUS | Core i5-4570 (4C/3.2GHz/6MB/1600MHz)    | 1600MHz Non-ECC   | 4GBx1        | Intel HD 4600     | 1xQuadro K600 (1GB, 1xDVI-I DL, 1xDP, 41W)  | No            | 1x500GB 3.5" SATA | DVD±RW  | Media                | No         | Switch                   | Win7 Pro64 (Downgrade from Win8) |
| 30A1002LUS | Core i5-4570 (4C/3.2GHz/6MB/1600MHz)    | 1600MHz Non-ECC   | 4GBx1        | Intel HD 4600     | 1xQuadro 410 (512MB, 1xDVI-I DL, 1xDP, 37W) | No            | 1x500GB 3.5" SATA | DVD±RW  | Media                | No         | Switch                   | Win7 Pro64 (Downgrade from Win8) |
| 30A1002MUS | Core i5-4670 (4C/3.4GHz/6MB/1600MHz)    | 1600MHz Non-ECC   | 4GBx1        | Intel HD 4600     | 1xQuadro K600 (1GB, 1xDVI-I DL, 1xDP, 41W)  | No            | 1x500GB 3.5" SATA | DVD±RW  | Media                | No         | Switch                   | Win7 Pro64 (Downgrade from Win8) |

\* Model in italics shows that this is a Global Model \*\* DL = Dual Link, SL = Single Link

• For detailed ThinkStation E32 Tower platform specifications, please see [ThinkStation E32 Platform Specifications sheet](#)

|   |  |
|---|--|
| Chipset                                   | <b>Intel C226 Chipset</b>  |
| Intel AMT                                 | Intel Active Management Technology 9 supported on models with Intel Xeon processors  |
| Processor                                 | One <b>LGA1150</b> socket, integrated 2-channel DDR3 memory controller, optional integrated Intel HD Graphics on selected processors   |
| Memory                                    | 1600MHz UDIMM, DDR3, ECC or non-ECC, 2-channel capable   |
| Memory DIMM sockets                       | Four 240-pin DIMM sockets, up to 32GB ECC/non-ECC (8GBx4)  |
| Additional memory disclaimers             | <ul style="list-style-type: none"> <li>Actual memory operating speed depends on processor memory controller speed, installed memory speed, and quantity of memory DIMMs</li> <li>Mixing of ECC and non-ECC is not supported</li> <li>Intel Core i5/i7 processors support non-ECC memory only</li> </ul>  |
| Intel HD Graphics in processor (optional) | Integrated Intel HD Graphics on selected processors, uses main memory, works along with discrete graphics to support multi-display, enables three display connectors (2 DisplayPort, 1 VGA) on rear ports (detailed information please see <b>Rear ports</b> section)  |
| Discrete graphics adapters                | Two PCI Express x16 slots for discrete graphics adapters: <ul style="list-style-type: none"> <li>One PCI Express 3.0 x16 slot (75W max, near CPU)</li> <li>One PCI Express 2.0 x16 slot (x4 electrical, 75W max)</li> </ul>  |
| Onboard drive controllers                 | Four SATA connectors via onboard drive controller in chipset, SATA 6.0Gb/s, RAID 0, 1, 5 support, supports Intel Smart Response Technology   |
| Storage                                   | Up to three 3.5" SATA (SATA 6.0Gb/s, 7200rpm)/2.5" SATA (SATA 6.0Gb/s, 10000rpm)/SATA SSD (SATA 6.0Gb/s) drives; up to one mSATA SSD drive (SATA 6.0Gb/s)  |
| Optical                                   | Supports DVD-ROM, DVD±RW, or Blu-ray Burner, 1.6" high, SATA interface   |
| Media reader (opt)                        | Optional 29-in-1 media card reader on selected models  |
| Front ports                               | Two USB 3.0 (blue), microphone (3.5mm), headphone (3.5mm)  |
| Rear ports                                | One VGA and two DisplayPort for models with Intel HD Graphics, two USB 2.0, four USB 3.0 (blue), one serial (9-pin), one ethernet (RJ-45), three analog audio ports (line-in, line-out, mic-in)  |
| IEEE 1394 adptr (opt)                     | Optional FireWire PCIe adapter on selected models, 1394a-2000, 400Mbps, two 6-pin ports on rear  |
| Audio                                     | High Definition (HD) Audio, Realtek® ALC662 codec  |
| Speaker                                   | Internal speaker for business audio  |
| Onboard Ethernet                          | One onboard gigabit ethernet, Intel I217LM   |
| Security                                  | <ul style="list-style-type: none"> <li>Security chip: STMicro ST33ZP24AR28PVSP, TCG 1.2-compliant</li> <li>Security slot (in rear for optional Kensington Microsaver cable; prohibits side cover removal)</li> <li>Power-on/Administrator password</li> <li>Boot sequence control</li> <li>Boot without keyboard, mouse</li> <li>Serial port I/O control</li> <li>USB port disablement (front or all/individual)</li> <li>Chassis intrusion switch available on selected models</li> </ul> |
| Keyboard/Mouse                            | 104-key keyboard (USB)/Optical Wheel Mouse (USB)   |
| Power supply                              | 280 watts with variable speed fan, autosensing, 85% PSU, Climate Savers® Computing Bronze, 80 PLUS® Bronze qualified   |
| Environmental certifications              | GREENGUARD® certified/RoHS-compliant/EPEAT™ Gold rating/ENERGY STAR 5.2 qualified  |
| ISV certifications                        | For the latest list of certifications, please visit <a href="http://www.lenovo.com/support/ISV">www.lenovo.com/support/ISV</a>   |
| Limited warranty <sup>1</sup>             | 3-year parts and labor   |

## Drives Bays



- Bay 1 Standard, 5.25", 1.6" high, external, for optical
- Bay 2 Standard, 5.25", 1.6" high, external, for optical or: optional, 3.5", 1" high, 3rd hard drive bay
- Bay 3 Optional, 3.5", 1" high, supports one of the following:
  - (1) for optional media card reader, external
  - (2) for optional mSATA drive, internal
- Bay 4 Standard, 3.5", 1" high, internal, primary hard drive bay
- Bay 5 Standard, 3.5", 1" high, internal, 2nd hard drive bay

### Notes:

Standard optical and hard drive bays are included in models; optional hard drive bays are available on models with the corresponding hard drives only

## Expansion Slots

- 1: half-length, full-height, PCIe 3.0 x16 (75w max, near CPU)
- 2: half-length, full-height, PCIe 2.0 x1
- 3: half-length, full-height, PCIe 2.0 x16 (x4 elec, 75W max)
- 4: half-length, full-height, PCI 2.3

## Mechanical

- Raven black color; metal case
- 6.9"W x 17.0"D x 16.7"H (with handle)
- 175mm W x 431mm D x 425mm H
- 27.56 lb (12.5kg) max configuration
- 25-liter
- Removable handle on top front
- Toolless side cover removal
- Toolless disk and optical drive removal (standard bays)
- Toolless adapter retention
- Illuminated front icons
- Recessed power button

See footnotes for important warranty information  
Model(s) announced August 20, 2013

© Lenovo  
(30A1-1) August 2013

# ThinkStation E32 Tower (30A1) - TopSeller (August 2013) - II

Product Specifications Reference (PSREF)

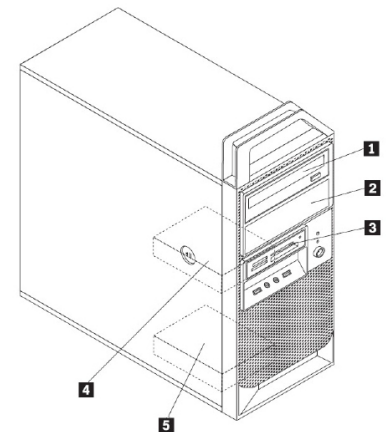
| Type-model | Processor                               | Memory (MHz/type) | Memory DIMMs | Intel HD Graphics | Discrete graphics adapters**                | Pre-conf RAID | Storage           | Optical | 29-in-1 Media reader | 1394 adptr | Chassis intrusion switch | Preloaded OS                     |
|------------|---|-------------------|--------------|-------------------|---|---------------|-------------------|---------|----------------------|------------|--------------------------|----------------------------------|
| 30A1002NUS | Core i5-4670 (4C/3.4GHz/6MB/1600MHz)    | 1600MHz Non-ECC   | 8GBx1        | Intel HD 4600     | 1xQuadro K2000 (2GB, 1xDVI-I DL, 2xDP, 51W) | No            | 1x1TB 3.5" SATA   | DVD±RW  | Media                | No         | Switch                   | Win7 Pro64 (Downgrade from Win8) |
| 30A1002PUS | Core i7-4770 (4C/3.4GHz/8MB/1600MHz)    | 1600MHz Non-ECC   | 4GBx1        | Intel HD 4600     |   | No            | 1x500GB 3.5" SATA | DVD±RW  | Media                | No         | Switch                   | Win7 Pro64 (Downgrade from Win8) |
| 30A1002QUS | Core i7-4770 (4C/3.4GHz/8MB/1600MHz)    | 1600MHz Non-ECC   | 4GBx1        | Intel HD 4600     | 1xQuadro 410 (512MB, 1xDVI-I DL, 1xDP, 37W) | No            | 1x500GB 3.5" SATA | DVD±RW  | Media                | No         | Switch                   | Win7 Pro64 (Downgrade from Win8) |
| 30A1002RUS | Core i7-4770 (4C/3.4GHz/8MB/1600MHz)    | 1600MHz Non-ECC   | 8GBx1        | Intel HD 4600     | 1xQuadro K600 (1GB, 1xDVI-I DL, 1xDP, 41W)  | No            | 1x1TB 3.5" SATA   | DVD±RW  | Media                | No         | Switch                   | Win7 Pro64 (Downgrade from Win8) |
| 30A1002SUS | Xeon E3-1225 v3 (4C/3.2GHz/8MB/1600MHz) | 1600MHz Non-ECC   | 4GBx1        | Intel HD P4600    |   | No            | 1x500GB 3.5" SATA | DVD±RW  | Media                | No         | Switch                   | Win7 Pro64 (Downgrade from Win8) |
| 30A1002TUS | Xeon E3-1225 v3 (4C/3.2GHz/8MB/1600MHz) | 1600MHz Non-ECC   | 4GBx1        | Intel HD P4600    | 1xQuadro K600 (1GB, 1xDVI-I DL, 1xDP, 41W)  | No            | 1x500GB 3.5" SATA | DVD±RW  | Media                | No         | Switch                   | Win7 Pro64 (Downgrade from Win8) |
| 30A1002UUS | Xeon E3-1240 v3 (4C/3.4GHz/8MB/1600MHz) | 1600MHz Non-ECC   | 8GBx1        |                   | 1xQuadro K600 (1GB, 1xDVI-I DL, 1xDP, 41W)  | No            | 1x1TB 3.5" SATA   | DVD±RW  | Media                | No         | Switch                   | Win7 Pro64 (Downgrade from Win8) |

\* Model in italics shows that this is a Global Model \*\* DL = Dual Link, SL = Single Link

• For detailed ThinkStation E32 Tower platform specifications, please see [ThinkStation E32 Platform Specifications sheet](#)

|   |  |
|---|--|
| Chipset                                   | <b>Intel C226 Chipset</b>  |
| Intel AMT                                 | Intel Active Management Technology 9 supported on models with Intel Xeon processors  |
| Processor                                 | One <b>LGA1150</b> socket, integrated 2-channel DDR3 memory controller, optional integrated Intel HD Graphics on selected processors   |
| Memory                                    | 1600MHz UDIMM, DDR3, ECC or non-ECC, 2-channel capable   |
| Memory DIMM sockets                       | Four 240-pin DIMM sockets, up to 32GB ECC/non-ECC (8GBx4)  |
| Additional memory disclaimers             | <ul style="list-style-type: none"> <li>Actual memory operating speed depends on processor memory controller speed, installed memory speed, and quantity of memory DIMMs</li> <li>Mixing of ECC and non-ECC is not supported</li> <li>Intel Core i5/i7 processors support non-ECC memory only</li> </ul>  |
| Intel HD Graphics in processor (optional) | Integrated Intel HD Graphics on selected processors, uses main memory, works along with discrete graphics to support multi-display, enables three display connectors (2 DisplayPort, 1 VGA) on rear ports (detailed information please see <b>Rear ports</b> section)  |
| Discrete graphics adapters                | Two PCI Express x16 slots for discrete graphics adapters: <ul style="list-style-type: none"> <li>One PCI Express 3.0 x16 slot (75W max, near CPU)</li> <li>One PCI Express 2.0 x16 slot (x4 electrical, 75W max)</li> </ul>  |
| Onboard drive controllers                 | Four SATA connectors via onboard drive controller in chipset, SATA 6.0Gb/s, RAID 0, 1, 5 support, supports Intel Smart Response Technology   |
| Storage                                   | Up to three 3.5" SATA (SATA 6.0Gb/s, 7200rpm)/2.5" SATA (SATA 6.0Gb/s, 10000rpm)/SATA SSD (SATA 6.0Gb/s) drives; up to one mSATA SSD drive (SATA 6.0Gb/s)  |
| Optical                                   | Supports DVD-ROM, DVD±RW, or Blu-ray Burner, 1.6" high, SATA interface   |
| Media reader (opt)                        | Optional 29-in-1 media card reader on selected models  |
| Front ports                               | Two USB 3.0 (blue), microphone (3.5mm), headphone (3.5mm)  |
| Rear ports                                | One VGA and two DisplayPort for models with Intel HD Graphics, two USB 2.0, four USB 3.0 (blue), one serial (9-pin), one ethernet (RJ-45), three analog audio ports (line-in, line-out, mic-in)  |
| IEEE 1394 adptr (opt)                     | Optional FireWire PCIe adapter on selected models, 1394a-2000, 400Mbps, two 6-pin ports on rear  |
| Audio                                     | High Definition (HD) Audio, Realtek® ALC662 codec  |
| Speaker                                   | Internal speaker for business audio  |
| Onboard Ethernet                          | One onboard gigabit ethernet, Intel I217LM   |
| Security                                  | <ul style="list-style-type: none"> <li>Security chip: STMicro ST33ZP24AR28PVSP, TCG 1.2-compliant</li> <li>Security slot (in rear for optional Kensington Microsaver cable; prohibits side cover removal)</li> <li>Power-on/Administrator password</li> <li>Boot sequence control</li> <li>Boot without keyboard, mouse</li> <li>Serial port I/O control</li> <li>USB port disablement (front or all/individual)</li> <li>Chassis intrusion switch available on selected models</li> </ul> |
| Keyboard/Mouse                            | 104-key keyboard (USB)/Optical Wheel Mouse (USB)   |
| Power supply                              | 280 watts with variable speed fan, autosensing, 85% PSU, Climate Savers® Computing Bronze, 80 PLUS® Bronze qualified   |
| Environmental certifications              | GREENGUARD® certified/RoHS-compliant/EPEAT™ Gold rating/ENERGY STAR 5.2 qualified  |
| ISV certifications                        | For the latest list of certifications, please visit <a href="http://www.lenovo.com/support/ISV">www.lenovo.com/support/ISV</a>   |
| Limited warranty <sup>1</sup>             | 3-year parts and labor   |

## Drives Bays



- Bay 1 Standard, 5.25", 1.6" high, external, for optical
- Bay 2 Standard, 5.25", 1.6" high, external, for optical or: optional, 3.5", 1" high, 3rd hard drive bay
- Bay 3 Optional, 3.5", 1" high, supports one of the following:
  - (1) for optional media card reader, external
  - (2) for optional mSATA drive, internal
- Bay 4 Standard, 3.5", 1" high, internal, primary hard drive bay
- Bay 5 Standard, 3.5", 1" high, internal, 2nd hard drive bay

### Notes:

Standard optical and hard drive bays are included in models; optional hard drive bays are available on models with the corresponding hard drives only

## Expansion Slots

- 1: half-length, full-height, PCIe 3.0 x16 (75w max, near CPU)
- 2: half-length, full-height, PCIe 2.0 x1
- 3: half-length, full-height, PCIe 2.0 x16 (x4 elec, 75W max)
- 4: half-length, full-height, PCI 2.3

## Mechanical

- Raven black color; metal case
- 6.9"W x 17.0"D x 16.7"H (with handle)
- 175mm W x 431mm D x 425mm H
- 27.56 lb (12.5kg) max configuration
- 25-liter
- Removable handle on top front
- Toolless side cover removal
- Toolless disk and optical drive removal (standard bays)
- Toolless adapter retention
- Illuminated front icons
- Recessed power button

See footnotes for important warranty information  
Model(s) announced August 20, 2013

© Lenovo  
(30A1-2) August 2013

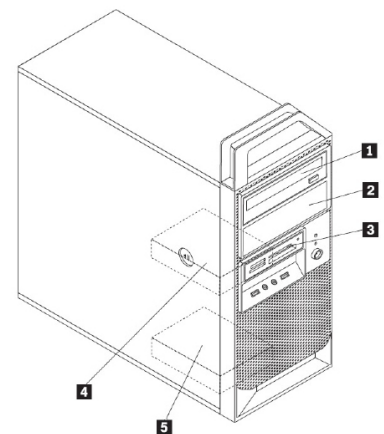
| Type-model | Processor                               | Memory (MHz/type) | Memory DIMMs | Intel HD Graphics | Discrete graphics adapters**                | Pre-conf RAID | Storage          | Optical | 29-in-1 Media reader | 1394 adptr | Chassis intrusion switch | Preloaded OS                     |
|------------|---|-------------------|--------------|-------------------|---|---------------|------------------|---------|----------------------|------------|--------------------------|----------------------------------|
| 30A1002VUS | Xeon E3-1240 v3 (4C/3.4GHz/8MB/1600MHz) | 1600MHz Non-ECC   | 8GBx1        |                   | 1xQuadro K2000 (2GB, 1xDVI-I DL, 2xDP, 51W) | No            | 1x1TB 3.5" SATA  | DVD±RW  | Media                | No         | Switch                   | Win7 Pro64 (Downgrade from Win8) |
| 30A1002XUS | Xeon E3-1245 v3 (4C/3.4GHz/8MB/1600MHz) | 1600MHz Non-ECC   | 8GBx1        | Intel HD P4600    |   | No            | 1x180GB SATA SSD | DVD±RW  | Media                | No         | Switch                   | Win7 Pro64 (Downgrade from Win8) |
| 30A1002YUS | Xeon E3-1275 v3 (4C/3.5GHz/8MB/1600MHz) | 1600MHz Non-ECC   | 8GBx1        | Intel HD P4600    | 1xQuadro K600 (1GB, 1xDVI-I DL, 1xDP, 41W)  | No            | 1x256GB SATA SSD | DVD±RW  | Media                | No         | Switch                   | Win7 Pro64 (Downgrade from Win8) |
| 30A10030US | Core i7-4770 (4C/3.4GHz/8MB/1600MHz)    | 1600MHz Non-ECC   | 8GBx1        | Intel HD 4600     | 1xQuadro K2000 (2GB, 1xDVI-I DL, 2xDP, 51W) | No            | 1x1TB 3.5" SATA  | DVD±RW  | Media                | No         | Switch                   | Win7 Pro64 (Downgrade from Win8) |
| 30A10031US | Xeon E3-1240 v3 (4C/3.4GHz/8MB/1600MHz) | 1600MHz Non-ECC   | 8GBx1        |                   | 1xQuadro K600 (1GB, 1xDVI-I DL, 1xDP, 41W)  | No            | 1x128GB SATA SSD | DVD±RW  | Media                | No         | Switch                   | Win7 Pro64 (Downgrade from Win8) |
| 30A10032US | Core i7-4770 (4C/3.4GHz/8MB/1600MHz)    | 1600MHz Non-ECC   | 8GBx1        | Intel HD 4600     | 1xQuadro K2000 (2GB, 1xDVI-I DL, 2xDP, 51W) | No            | 1x180GB SATA SSD | DVD±RW  | Media                | No         | Switch                   | Win7 Pro64 (Downgrade from Win8) |
| 30A10033US | Xeon E3-1280 v3 (4C/3.6GHz/8MB/1600MHz) | 1600MHz Non-ECC   | 8GBx1        |                   | 1xQuadro K2000 (2GB, 1xDVI-I DL, 2xDP, 51W) | No            | 1x1TB 3.5" SATA  | DVD±RW  | Media                | No         | Switch                   | Win7 Pro64 (Downgrade from Win8) |

\* Model in italics shows that this is a Global Model \*\* DL = Dual Link, SL = Single Link

• For detailed ThinkStation E32 Tower platform specifications, please see [ThinkStation E32 Platform Specifications sheet](#)

|   |  |
|---|--|
| Chipset                                   | <b>Intel C226 Chipset</b>  |
| Intel AMT                                 | Intel Active Management Technology 9 supported on models with Intel Xeon processors  |
| Processor                                 | One <b>LGA1150</b> socket, integrated 2-channel DDR3 memory controller, optional integrated Intel HD Graphics on selected processors   |
| Memory                                    | 1600MHz UDIMM, DDR3, ECC or non-ECC, 2-channel capable   |
| Memory DIMM sockets                       | Four 240-pin DIMM sockets, up to 32GB ECC/non-ECC (8GBx4)  |
| Additional memory disclaimers             | <ul style="list-style-type: none"> <li>Actual memory operating speed depends on processor memory controller speed, installed memory speed, and quantity of memory DIMMs</li> <li>Mixing of ECC and non-ECC is not supported</li> <li>Intel Core i5/i7 processors support non-ECC memory only</li> </ul>  |
| Intel HD Graphics in processor (optional) | Integrated Intel HD Graphics on selected processors, uses main memory, works along with discrete graphics to support multi-display, enables three display connectors (2 DisplayPort, 1 VGA) on rear ports (detailed information please see <b>Rear ports</b> section)  |
| Discrete graphics adapters                | Two PCI Express x16 slots for discrete graphics adapters: <ul style="list-style-type: none"> <li>One PCI Express 3.0 x16 slot (75W max, near CPU)</li> <li>One PCI Express 2.0 x16 slot (x4 electrical, 75W max)</li> </ul>  |
| Onboard drive controllers                 | Four SATA connectors via onboard drive controller in chipset, SATA 6.0Gb/s, RAID 0, 1, 5 support, supports Intel Smart Response Technology   |
| Storage                                   | Up to three 3.5" SATA (SATA 6.0Gb/s, 7200rpm)/2.5" SATA (SATA 6.0Gb/s, 10000rpm)/SATA SSD (SATA 6.0Gb/s) drives; up to one mSATA SSD drive (SATA 6.0Gb/s)  |
| Optical                                   | Supports DVD-ROM, DVD±RW, or Blu-ray Burner, 1.6" high, SATA interface   |
| Media reader (opt)                        | Optional 29-in-1 media card reader on selected models  |
| Front ports                               | Two USB 3.0 (blue), microphone (3.5mm), headphone (3.5mm)  |
| Rear ports                                | One VGA and two DisplayPort for models with Intel HD Graphics, two USB 2.0, four USB 3.0 (blue), one serial (9-pin), one ethernet (RJ-45), three analog audio ports (line-in, line-out, mic-in)  |
| IEEE 1394 adptr (opt)                     | Optional FireWire PCIe adapter on selected models, 1394a-2000, 400Mbps, two 6-pin ports on rear  |
| Audio                                     | High Definition (HD) Audio, Realtek® ALC662 codec  |
| Speaker                                   | Internal speaker for business audio  |
| Onboard Ethernet                          | One onboard gigabit ethernet, Intel I217LM   |
| Security                                  | <ul style="list-style-type: none"> <li>Security chip: STMicro ST33ZP24AR28PVSP, TCG 1.2-compliant</li> <li>Security slot (in rear for optional Kensington Microsaver cable; prohibits side cover removal)</li> <li>Power-on/Administrator password</li> <li>Boot sequence control</li> <li>Boot without keyboard, mouse</li> <li>Serial port I/O control</li> <li>USB port disablement (front or all/individual)</li> <li>Chassis intrusion switch available on selected models</li> </ul> |
| Keyboard/Mouse                            | 104-key keyboard (USB)/Optical Wheel Mouse (USB)   |
| Power supply                              | 280 watts with variable speed fan, autosensing, 85% PSU, Climate Savers® Computing Bronze, 80 PLUS® Bronze qualified   |
| Environmental certifications              | GREENGUARD® certified/RoHS-compliant/EPEAT™ Gold rating/ENERGY STAR 5.2 qualified  |
| ISV certifications                        | For the latest list of certifications, please visit <a href="http://www.lenovo.com/support/ISV">www.lenovo.com/support/ISV</a>   |
| Limited warranty <sup>1</sup>             | 3-year parts and labor   |

**Drives Bays**



- Bay 1 Standard, 5.25", 1.6" high, external, for optical
- Bay 2 Standard, 5.25", 1.6" high, external, for optical or: optional, 3.5", 1" high, 3rd hard drive bay
- Bay 3 Optional, 3.5", 1" high, supports one of the following:
  - (1) for optional media card reader, external
  - (2) for optional mSATA drive, internal
- Bay 4 Standard, 3.5", 1" high, internal, primary hard drive bay
- Bay 5 Standard, 3.5", 1" high, internal, 2nd hard drive bay

**Notes:**

Standard optical and hard drive bays are included in models; optional hard drive bays are available on models with the corresponding hard drives only

**Expansion Slots**

- 1: half-length, full-height, PCIe 3.0 x16 (75w max, near CPU)
- 2: half-length, full-height, PCIe 2.0 x1
- 3: half-length, full-height, PCIe 2.0 x16 (x4 elec, 75W max)
- 4: half-length, full-height, PCI 2.3

**Mechanical**

- Raven black color; metal case
- 6.9"W x 17.0"D x 16.7"H (with handle)
- 175mm W x 431mm D x 425mm H
- 27.56 lb (12.5kg) max configuration
- 25-liter
- Removable handle on top front
- Toolless side cover removal
- Toolless disk and optical drive removal (standard bays)
- Toolless adapter retention
- Illuminated front icons
- Recessed power button

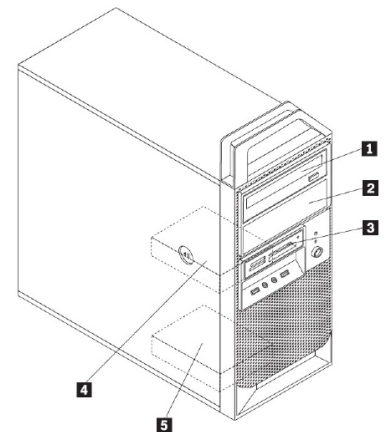
| Type-model | Processor                               | Memory (MHz/type) | Memory DIMMs | Intel HD Graphics | Discrete graphics adapters**                | Pre-conf RAID | Storage                      | Optical | 29-in-1 Media reader | 1394 adptr | Chassis intrusion switch | Preloaded OS                     |
|------------|---|-------------------|--------------|-------------------|---|---------------|------------------------------|---------|----------------------|------------|--------------------------|----------------------------------|
| 30A10034US | Xeon E3-1280 v3 (4C/3.6GHz/8MB/1600MHz) | 1600MHz Non-ECC   | 8GBx1        |                   | 1xQuadro K600 (1GB, 1xDVI-I DL, 1xDP, 41W)  | No            | 1x1TB 3.5" SATA              | DVD±RW  | Media                | No         | Switch                   | Win7 Pro64 (Downgrade from Win8) |
| 30A10035US | Xeon E3-1245 v3 (4C/3.4GHz/8MB/1600MHz) | 1600MHz Non-ECC   | 8GBx1        | Intel HD P4600    |   | No            | 1x1TB 3.5" SATA              | DVD±RW  | Media                | No         | Switch                   | Win7 Pro64 (Downgrade from Win8) |
| 30A10036US | Core i7-4770 (4C/3.4GHz/8MB/1600MHz)    | 1600MHz Non-ECC   | 8GBx1        | Intel HD 4600     | 1xQuadro K600 (1GB, 1xDVI-I DL, 1xDP, 41W)  | No            | 128GB SATA SSD+1TB 3.5" SATA | DVD±RW  | Media                | No         | Switch                   | Win7 Pro64 (Downgrade from Win8) |
| 30A1003BUS | Core i5-4570 (4C/3.2GHz/6MB/1600MHz)    | 1600MHz Non-ECC   | 4GBx1        | Intel HD 4600     |   | No            | 1x500GB 3.5" SATA            | DVD±RW  | Media                | No         | Switch                   | Win8 Pro64                       |
| 30A1003CUS | Core i5-4570 (4C/3.2GHz/6MB/1600MHz)    | 1600MHz Non-ECC   | 4GBx1        | Intel HD 4600     | 1xQuadro K600 (1GB, 1xDVI-I DL, 1xDP, 41W)  | No            | 1x500GB 3.5" SATA            | DVD±RW  | Media                | No         | Switch                   | Win8 Pro64                       |
| 30A1003DUS | Core i5-4570 (4C/3.2GHz/6MB/1600MHz)    | 1600MHz Non-ECC   | 4GBx1        | Intel HD 4600     | 1xQuadro 410 (512MB, 1xDVI-I DL, 1xDP, 37W) | No            | 1x500GB 3.5" SATA            | DVD±RW  | Media                | No         | Switch                   | Win8 Pro64                       |
| 30A1003EUS | Core i5-4670 (4C/3.4GHz/6MB/1600MHz)    | 1600MHz Non-ECC   | 4GBx1        | Intel HD 4600     | 1xQuadro K600 (1GB, 1xDVI-I DL, 1xDP, 41W)  | No            | 1x500GB 3.5" SATA            | DVD±RW  | Media                | No         | Switch                   | Win8 Pro64                       |

\* Model in italics shows that this is a Global Model \*\* DL = Dual Link, SL = Single Link

• For detailed ThinkStation E32 Tower platform specifications, please see [ThinkStation E32 Platform Specifications sheet](#)

|   |  |
|---|--|
| Chipset                                   | <b>Intel C226 Chipset</b>  |
| Intel AMT                                 | Intel Active Management Technology 9 supported on models with Intel Xeon processors  |
| Processor                                 | One <b>LGA1150</b> socket, integrated 2-channel DDR3 memory controller, optional integrated Intel HD Graphics on selected processors   |
| Memory                                    | 1600MHz UDIMM, DDR3, ECC or non-ECC, 2-channel capable   |
| Memory DIMM sockets                       | Four 240-pin DIMM sockets, up to 32GB ECC/non-ECC (8GBx4)  |
| Additional memory disclaimers             | <ul style="list-style-type: none"> <li>Actual memory operating speed depends on processor memory controller speed, installed memory speed, and quantity of memory DIMMs</li> <li>Mixing of ECC and non-ECC is not supported</li> <li>Intel Core i5/i7 processors support non-ECC memory only</li> </ul>  |
| Intel HD Graphics in processor (optional) | Integrated Intel HD Graphics on selected processors, uses main memory, works along with discrete graphics to support multi-display, enables three display connectors (2 DisplayPort, 1 VGA) on rear ports (detailed information please see <b>Rear ports</b> section)  |
| Discrete graphics adapters                | Two PCI Express x16 slots for discrete graphics adapters: <ul style="list-style-type: none"> <li>One PCI Express 3.0 x16 slot (75W max, near CPU)</li> <li>One PCI Express 2.0 x16 slot (x4 electrical, 75W max)</li> </ul>  |
| Onboard drive controllers                 | Four SATA connectors via onboard drive controller in chipset, SATA 6.0Gb/s, RAID 0, 1, 5 support, supports Intel Smart Response Technology   |
| Storage                                   | Up to three 3.5" SATA (SATA 6.0Gb/s, 7200rpm)/2.5" SATA (SATA 6.0Gb/s, 10000rpm)/SATA SSD (SATA 6.0Gb/s) drives; up to one mSATA SSD drive (SATA 6.0Gb/s)  |
| Optical                                   | Supports DVD-ROM, DVD±RW, or Blu-ray Burner, 1.6" high, SATA interface   |
| Media reader (opt)                        | Optional 29-in-1 media card reader on selected models  |
| Front ports                               | Two USB 3.0 (blue), microphone (3.5mm), headphone (3.5mm)  |
| Rear ports                                | One VGA and two DisplayPort for models with Intel HD Graphics, two USB 2.0, four USB 3.0 (blue), one serial (9-pin), one ethernet (RJ-45), three analog audio ports (line-in, line-out, mic-in)  |
| IEEE 1394 adptr (opt)                     | Optional FireWire PCIe adapter on selected models, 1394a-2000, 400Mbps, two 6-pin ports on rear  |
| Audio                                     | High Definition (HD) Audio, Realtek® ALC662 codec  |
| Speaker                                   | Internal speaker for business audio  |
| Onboard Ethernet                          | One onboard gigabit ethernet, Intel I217LM   |
| Security                                  | <ul style="list-style-type: none"> <li>Security chip: STMicro ST33ZP24AR28PVSP, TCG 1.2-compliant</li> <li>Security slot (in rear for optional Kensington Microsaver cable; prohibits side cover removal)</li> <li>Power-on/Administrator password</li> <li>Boot sequence control</li> <li>Boot without keyboard, mouse</li> <li>Serial port I/O control</li> <li>USB port disablement (front or all/individual)</li> <li>Chassis intrusion switch available on selected models</li> </ul> |
| Keyboard/Mouse                            | 104-key keyboard (USB)/Optical Wheel Mouse (USB)   |
| Power supply                              | 280 watts with variable speed fan, autosensing, 85% PSU, Climate Savers® Computing Bronze, 80 PLUS® Bronze qualified   |
| Environmental certifications              | GREENGUARD® certified/RoHS-compliant/EPEAT™ Gold rating/ENERGY STAR 5.2 qualified  |
| ISV certifications                        | For the latest list of certifications, please visit <a href="http://www.lenovo.com/support/ISV">www.lenovo.com/support/ISV</a>   |
| Limited warranty <sup>1</sup>             | 3-year parts and labor   |

**Drives Bays**



- Bay 1 Standard, 5.25", 1.6" high, external, for optical
- Bay 2 Standard, 5.25", 1.6" high, external, for optical or: optional, 3.5", 1" high, 3rd hard drive bay
- Bay 3 Optional, 3.5", 1" high, supports one of the following: (1) for optional media card reader, external (2) for optional mSATA drive, internal
- Bay 4 Standard, 3.5", 1" high, internal, primary hard drive bay
- Bay 5 Standard, 3.5", 1" high, internal, 2nd hard drive bay

**Notes:**

Standard optical and hard drive bays are included in models; optional hard drive bays are available on models with the corresponding hard drives only

**Expansion Slots**

- 1: half-length, full-height, PCIe 3.0 x16 (75w max, near CPU)
- 2: half-length, full-height, PCIe 2.0 x1
- 3: half-length, full-height, PCIe 2.0 x16 (x4 elec, 75W max)
- 4: half-length, full-height, PCI 2.3

**Mechanical**

- Raven black color; metal case
- 6.9"W x 17.0"D x 16.7"H (with handle)
- 175mm W x 431mm D x 425mm H
- 27.56 lb (12.5kg) max configuration
- 25-liter
- Removable handle on top front
- Toolless side cover removal
- Toolless disk and optical drive removal (standard bays)
- Toolless adapter retention
- Illuminated front icons
- Recessed power button

# ThinkStation E32 Tower (30A1) - TopSeller (August 2013) - V

Product Specifications Reference (PSREF)

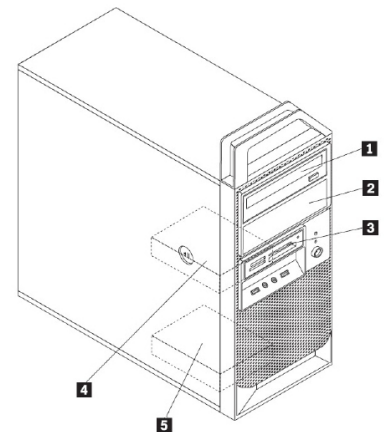
| Type-model | Processor                               | Memory (MHz/type) | Memory DIMMs | Intel HD Graphics | Discrete graphics adapters**                | Pre-conf RAID | Storage          | Optical | 29-in-1 Media reader | 1394 adptr | Chassis intrusion switch | Preloaded OS |
|------------|---|-------------------|--------------|-------------------|---|---------------|------------------|---------|----------------------|------------|--------------------------|--------------|
| 30A1003FUS | Core i5-4670 (4C/3.4GHz/8MB/1600MHz)    | 1600MHz Non-ECC   | 8GBx1        | Intel HD 4600     | 1xQuadro K2000 (2GB, 1xDVI-I DL, 2xDP, 51W) | No            | 1x1TB 3.5 SATA   | DVD±RW  | Media                | No         | Switch                   | Win8 Pro64   |
| 30A1003GUS | Core i7-4770 (4C/3.4GHz/8MB/1600MHz)    | 1600MHz Non-ECC   | 4GBx1        | Intel HD 4600     |   | No            | 1x500GB 3.5 SATA | DVD±RW  | Media                | No         | Switch                   | Win8 Pro64   |
| 30A1003HUS | Core i7-4770 (4C/3.4GHz/8MB/1600MHz)    | 1600MHz Non-ECC   | 4GBx1        | Intel HD 4600     | 1xQuadro 410 (512MB, 1xDVI-I DL, 1xDP, 37W) | No            | 1x500GB 3.5 SATA | DVD±RW  | Media                | No         | Switch                   | Win8 Pro64   |
| 30A1003JUS | Core i7-4770 (4C/3.4GHz/8MB/1600MHz)    | 1600MHz Non-ECC   | 8GBx1        | Intel HD 4600     | 1xQuadro K600 (1GB, 1xDVI-I DL, 1xDP, 41W)  | No            | 1x1TB 3.5 SATA   | DVD±RW  | Media                | No         | Switch                   | Win8 Pro64   |
| 30A1003KUS | Xeon E3-1225 v3 (4C/3.2GHz/8MB/1600MHz) | 1600MHz Non-ECC   | 4GBx1        | Intel HD P4600    |   | No            | 1x500GB 3.5 SATA | DVD±RW  | Media                | No         | Switch                   | Win8 Pro64   |
| 30A1003LUS | Xeon E3-1225 v3 (4C/3.2GHz/8MB/1600MHz) | 1600MHz Non-ECC   | 4GBx1        | Intel HD P4600    | 1xQuadro K600 (1GB, 1xDVI-I DL, 1xDP, 41W)  | No            | 1x500GB 3.5 SATA | DVD±RW  | Media                | No         | Switch                   | Win8 Pro64   |
| 30A1003MUS | Xeon E3-1240 v3 (4C/3.4GHz/8MB/1600MHz) | 1600MHz Non-ECC   | 8GBx1        |                   | 1xQuadro K600 (1GB, 1xDVI-I DL, 1xDP, 41W)  | No            | 1x1TB 3.5 SATA   | DVD±RW  | Media                | No         | Switch                   | Win8 Pro64   |

\* Model in italics shows that this is a Global Model \*\* DL = Dual Link, SL = Single Link

• For detailed ThinkStation E32 Tower platform specifications, please see [ThinkStation E32 Platform Specifications sheet](#)

|   |  |
|---|--|
| Chipset                                   | <b>Intel C226 Chipset</b>  |
| Intel AMT                                 | Intel Active Management Technology 9 supported on models with Intel Xeon processors  |
| Processor                                 | One <b>LGA1150</b> socket, integrated 2-channel DDR3 memory controller, optional integrated Intel HD Graphics on selected processors   |
| Memory                                    | 1600MHz UDIMM, DDR3, ECC or non-ECC, 2-channel capable   |
| Memory DIMM sockets                       | Four 240-pin DIMM sockets, up to 32GB ECC/non-ECC (8GBx4)  |
| Additional memory disclaimers             | <ul style="list-style-type: none"> <li>Actual memory operating speed depends on processor memory controller speed, installed memory speed, and quantity of memory DIMMs</li> <li>Mixing of ECC and non-ECC is not supported</li> <li>Intel Core i5/i7 processors support non-ECC memory only</li> </ul>  |
| Intel HD Graphics in processor (optional) | Integrated Intel HD Graphics on selected processors, uses main memory, works along with discrete graphics to support multi-display, enables three display connectors (2 DisplayPort, 1 VGA) on rear ports (detailed information please see <b>Rear ports</b> section)  |
| Discrete graphics adapters                | Two PCI Express x16 slots for discrete graphics adapters: <ul style="list-style-type: none"> <li>One PCI Express 3.0 x16 slot (75W max, near CPU)</li> <li>One PCI Express 2.0 x16 slot (x4 electrical, 75W max)</li> </ul>  |
| Onboard drive controllers                 | Four SATA connectors via onboard drive controller in chipset, SATA 6.0Gb/s, RAID 0, 1, 5 support, supports Intel Smart Response Technology   |
| Storage                                   | Up to three 3.5" SATA (SATA 6.0Gb/s, 7200rpm)/2.5" SATA (SATA 6.0Gb/s, 10000rpm)/SATA SSD (SATA 6.0Gb/s) drives; up to one mSATA SSD drive (SATA 6.0Gb/s)  |
| Optical                                   | Supports DVD-ROM, DVD±RW, or Blu-ray Burner, 1.6" high, SATA interface   |
| Media reader (opt)                        | Optional 29-in-1 media card reader on selected models  |
| Front ports                               | Two USB 3.0 (blue), microphone (3.5mm), headphone (3.5mm)  |
| Rear ports                                | One VGA and two DisplayPort for models with Intel HD Graphics, two USB 2.0, four USB 3.0 (blue), one serial (9-pin), one ethernet (RJ-45), three analog audio ports (line-in, line-out, mic-in)  |
| IEEE 1394 adptr (opt)                     | Optional FireWire PCIe adapter on selected models, 1394a-2000, 400Mbps, two 6-pin ports on rear  |
| Audio                                     | High Definition (HD) Audio, Realtek® ALC662 codec  |
| Speaker                                   | Internal speaker for business audio  |
| Onboard Ethernet                          | One onboard gigabit ethernet, Intel I217LM   |
| Security                                  | <ul style="list-style-type: none"> <li>Security chip: STMicro ST33ZP24AR28PVSP, TCG 1.2-compliant</li> <li>Security slot (in rear for optional Kensington Microsaver cable; prohibits side cover removal)</li> <li>Power-on/Administrator password</li> <li>Boot sequence control</li> <li>Boot without keyboard, mouse</li> <li>Serial port I/O control</li> <li>USB port disablement (front or all/individual)</li> <li>Chassis intrusion switch available on selected models</li> </ul> |
| Keyboard/Mouse                            | 104-key keyboard (USB)/Optical Wheel Mouse (USB)   |
| Power supply                              | 280 watts with variable speed fan, autosensing, 85% PSU, Climate Savers® Computing Bronze, 80 PLUS® Bronze qualified   |
| Environmental certifications              | GREENGUARD® certified/RoHS-compliant/EPEAT™ Gold rating/ENERGY STAR 5.2 qualified  |
| ISV certifications                        | For the latest list of certifications, please visit <a href="http://www.lenovo.com/support/ISV">www.lenovo.com/support/ISV</a>   |
| Limited warranty <sup>1</sup>             | 3-year parts and labor   |

## Drives Bays



- Bay 1 Standard, 5.25", 1.6" high, external, for optical
- Bay 2 Standard, 5.25", 1.6" high, external, for optical or: optional, 3.5", 1" high, 3rd hard drive bay
- Bay 3 Optional, 3.5", 1" high, supports one of the following: (1) for optional media card reader, external (2) for optional mSATA drive, internal
- Bay 4 Standard, 3.5", 1" high, internal, primary hard drive bay
- Bay 5 Standard, 3.5", 1" high, internal, 2nd hard drive bay

### Notes:

Standard optical and hard drive bays are included in models; optional hard drive bays are available on models with the corresponding hard drives only

## Expansion Slots

- 1: half-length, full-height, PCIe 3.0 x16 (75w max, near CPU)
- 2: half-length, full-height, PCIe 2.0 x1
- 3: half-length, full-height, PCIe 2.0 x16 (x4 elec, 75W max)
- 4: half-length, full-height, PCI 2.3

## Mechanical

- Raven black color; metal case
- 6.9"W x 17.0"D x 16.7"H (with handle)
- 175mm W x 431mm D x 425mm H
- 27.56 lb (12.5kg) max configuration
- 25-liter
- Removable handle on top front
- Toolless side cover removal
- Toolless disk and optical drive removal (standard bays)
- Toolless adapter retention
- Illuminated front icons
- Recessed power button

See footnotes for important warranty information  
Model(s) announced August 20, 2013

© Lenovo  
(30A1-5) August 2013

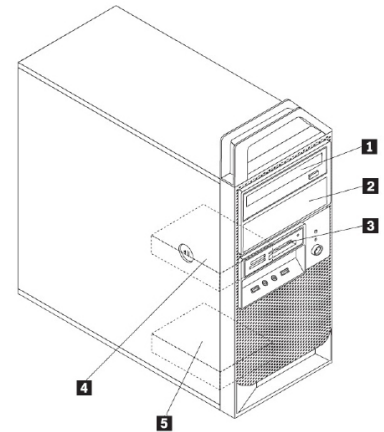
| Type-model | Processor                               | Memory (MHz/type) | Memory DIMMs | Intel HD Graphics | Discrete graphics adapters**                | Pre-conf RAID | Storage          | Optical | 29-in-1 Media reader | 1394 adptr | Chassis intrusion switch | Preloaded OS |
|------------|---|-------------------|--------------|-------------------|---|---------------|------------------|---------|----------------------|------------|--------------------------|--------------|
| 30A1003NUS | Xeon E3-1240 v3 (4C/3.4GHz/8MB/1600MHz) | 1600MHz Non-ECC   | 8GBx1        |                   | 1xQuadro K2000 (2GB, 1xDVI-I DL, 2xDP, 51W) | No            | 1x1TB 3.5 SATA   | DVD±RW  | Media                | No         | Switch                   | Win8 Pro64   |
| 30A1003QUS | Xeon E3-1245 v3 (4C/3.4GHz/8MB/1600MHz) | 1600MHz Non-ECC   | 8GBx1        | Intel HD P4600    |   | No            | 1x180GB SATA SSD | DVD±RW  | Media                | No         | Switch                   | Win8 Pro64   |
| 30A1003RUS | Xeon E3-1275 v3 (4C/3.5GHz/8MB/1600MHz) | 1600MHz Non-ECC   | 8GBx1        | Intel HD P4600    | 1xQuadro K600 (1GB, 1xDVI-I DL, 1xDP, 41W)  | No            | 1x256GB SATA SSD | DVD±RW  | Media                | No         | Switch                   | Win8 Pro64   |
| 30A1003SUS | Core i7-4770 (4C/3.4GHz/8MB/1600MHz)    | 1600MHz Non-ECC   | 8GBx1        | Intel HD 4600     | 1xQuadro K2000 (2GB, 1xDVI-I DL, 2xDP, 51W) | No            | 1x1TB 3.5 SATA   | DVD±RW  | Media                | No         | Switch                   | Win8 Pro64   |
| 30A1003TUS | Xeon E3-1240 v3 (4C/3.4GHz/8MB/1600MHz) | 1600MHz Non-ECC   | 8GBx1        |                   | 1xQuadro K600 (1GB, 1xDVI-I DL, 1xDP, 41W)  | No            | 1x128GB SATA SSD | DVD±RW  | Media                | No         | Switch                   | Win8 Pro64   |
| 30A1003UUS | Core i7-4770 (4C/3.4GHz/8MB/1600MHz)    | 1600MHz Non-ECC   | 8GBx1        | Intel HD 4600     | 1xQuadro K2000 (2GB, 1xDVI-I DL, 2xDP, 51W) | No            | 1x180GB SATA SSD | DVD±RW  | Media                | No         | Switch                   | Win8 Pro64   |
| 30A1003VUS | Xeon E3-1280 v3 (4C/3.6GHz/8MB/1600MHz) | 1600MHz Non-ECC   | 8GBx1        |                   | 1xQuadro K2000 (2GB, 1xDVI-I DL, 2xDP, 51W) | No            | 1x1TB 3.5 SATA   | DVD±RW  | Media                | No         | Switch                   | Win8 Pro64   |

\* Model in italics shows that this is a Global Model \*\* DL = Dual Link, SL = Single Link

• For detailed ThinkStation E32 Tower platform specifications, please see [ThinkStation E32 Platform Specifications sheet](#)

|   |  |
|---|--|
| Chipset                                   | Intel C226 Chipset   |
| Intel AMT                                 | Intel Active Management Technology 9 supported on models with Intel Xeon processors  |
| Processor                                 | One LGA1150 socket, integrated 2-channel DDR3 memory controller, optional integrated Intel HD Graphics on selected processors  |
| Memory                                    | 1600MHz UDIMM, DDR3, ECC or non-ECC, 2-channel capable   |
| Memory DIMM sockets                       | Four 240-pin DIMM sockets, up to 32GB ECC/non-ECC (8GBx4)  |
| Additional memory disclaimers             | <ul style="list-style-type: none"> <li>Actual memory operating speed depends on processor memory controller speed, installed memory speed, and quantity of memory DIMMs</li> <li>Mixing of ECC and non-ECC is not supported</li> <li>Intel Core i5/i7 processors support non-ECC memory only</li> </ul>  |
| Intel HD Graphics in processor (optional) | Integrated Intel HD Graphics on selected processors, uses main memory, works along with discrete graphics to support multi-display, enables three display connectors (2 DisplayPort, 1 VGA) on rear ports (detailed information please see <b>Rear ports</b> section)  |
| Discrete graphics adapters                | Two PCI Express x16 slots for discrete graphics adapters: <ul style="list-style-type: none"> <li>One PCI Express 3.0 x16 slot (75W max, near CPU)</li> <li>One PCI Express 2.0 x16 slot (x4 electrical, 75W max)</li> </ul>  |
| Onboard drive controllers                 | Four SATA connectors via onboard drive controller in chipset, SATA 6.0Gb/s, RAID 0, 1, 5 support, supports Intel Smart Response Technology   |
| Storage                                   | Up to three 3.5" SATA (SATA 6.0Gb/s, 7200rpm)/2.5" SATA (SATA 6.0Gb/s, 10000rpm)/SATA SSD (SATA 6.0Gb/s) drives; up to one mSATA SSD drive (SATA 6.0Gb/s)  |
| Optical                                   | Supports DVD-ROM, DVD±RW, or Blu-ray Burner, 1.6" high, SATA interface   |
| Media reader (opt)                        | Optional 29-in-1 media card reader on selected models  |
| Front ports                               | Two USB 3.0 (blue), microphone (3.5mm), headphone (3.5mm)  |
| Rear ports                                | One VGA and two DisplayPort for models with Intel HD Graphics, two USB 2.0, four USB 3.0 (blue), one serial (9-pin), one ethernet (RJ-45), three analog audio ports (line-in, line-out, mic-in)  |
| IEEE 1394 adptr (opt)                     | Optional FireWire PCIe adapter on selected models, 1394a-2000, 400Mbps, two 6-pin ports on rear  |
| Audio                                     | High Definition (HD) Audio, Realtek® ALC662 codec  |
| Speaker                                   | Internal speaker for business audio  |
| Onboard Ethernet                          | One onboard gigabit ethernet, Intel I217LM   |
| Security                                  | <ul style="list-style-type: none"> <li>Security chip: STMicro ST33ZP24AR28PVSP, TCG 1.2-compliant</li> <li>Security slot (in rear for optional Kensington Microsaver cable; prohibits side cover removal)</li> <li>Power-on/Administrator password</li> <li>Boot sequence control</li> <li>Boot without keyboard, mouse</li> <li>Serial port I/O control</li> <li>USB port disablement (front or all/individual)</li> <li>Chassis intrusion switch available on selected models</li> </ul> |
| Keyboard/Mouse                            | 104-key keyboard (USB)/Optical Wheel Mouse (USB)   |
| Power supply                              | 280 watts with variable speed fan, autosensing, 85% PSU, Climate Savers® Computing Bronze, 80 PLUS® Bronze qualified   |
| Environmental certifications              | GREENGUARD® certified/RoHS-compliant/EPEAT™ Gold rating/ENERGY STAR 5.2 qualified  |
| ISV certifications                        | For the latest list of certifications, please visit <a href="http://www.lenovo.com/support/ISV">www.lenovo.com/support/ISV</a>   |
| Limited warranty <sup>1</sup>             | 3-year parts and labor   |

**Drives Bays**



- Bay 1 Standard, 5.25", 1.6" high, external, for optical
- Bay 2 Standard, 5.25", 1.6" high, external, for optical or: optional, 3.5", 1" high, 3rd hard drive bay
- Bay 3 Optional, 3.5", 1" high, supports one of the following: (1) for optional media card reader, external (2) for optional mSATA drive, internal
- Bay 4 Standard, 3.5", 1" high, internal, primary hard drive bay
- Bay 5 Standard, 3.5", 1" high, internal, 2nd hard drive bay

**Notes:**

Standard optical and hard drive bays are included in models; optional hard drive bays are available on models with the corresponding hard drives only

**Expansion Slots**

- 1: half-length, full-height, PCIe 3.0 x16 (75w max, near CPU)
- 2: half-length, full-height, PCIe 2.0 x1
- 3: half-length, full-height, PCIe 2.0 x16 (x4 elec, 75W max)
- 4: half-length, full-height, PCI 2.3

**Mechanical**

- Raven black color; metal case
- 6.9"W x 17.0"D x 16.7"H (with handle)
- 175mm W x 431mm D x 425mm H
- 27.56 lb (12.5kg) max configuration
- 25-liter
- Removable handle on top front
- Toolless side cover removal
- Toolless disk and optical drive removal (standard bays)
- Toolless adapter retention
- Illuminated front icons
- Recessed power button

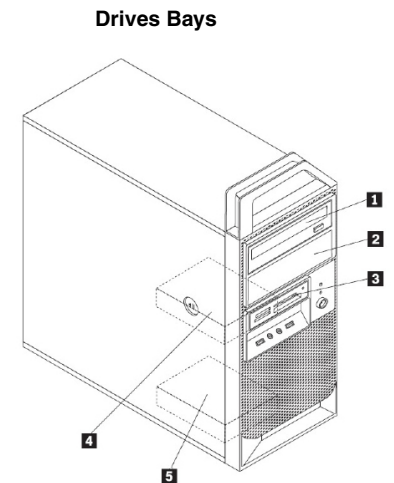


| Type-model | Processor                               | Memory (MHz/type) | Memory DIMMs | Intel HD Graphics | Discrete graphics adapters**               | Pre-conf RAID | Storage                     | Optical | 29-in-1 Media reader | 1394 adptr | Chassis intrusion switch | Preloaded OS |
|------------|---|-------------------|--------------|-------------------|--|---------------|-----------------------------|---------|----------------------|------------|--------------------------|--------------|
| 30A1003WUS | Xeon E3-1280 v3 (4C/3.6GHz/8MB/1600MHz) | 1600MHz Non-ECC   | 8GBx1        |                   | 1xQuadro K600 (1GB, 1xDVI-I DL, 1xDP, 41W) | No            | 1x1TB 3.5 SATA              | DVD±RW  | Media                | No         | Switch                   | Win8 Pro64   |
| 30A1003XUS | Xeon E3-1245 v3 (4C/3.4GHz/8MB/1600MHz) | 1600MHz Non-ECC   | 8GBx1        | Intel HD P4600    |  | No            | 1x1TB 3.5 SATA              | DVD±RW  | Media                | No         | Switch                   | Win8 Pro64   |
| 30A1003YUS | Core i7-4770 (4C/3.4GHz/8MB/1600MHz)    | 1600MHz Non-ECC   | 8GBx1        | Intel HD 4600     | 1xQuadro K600 (1GB, 1xDVI-I DL, 1xDP, 41W) | No            | 128GB SATA SSD+1TB 3.5 SATA | DVD±RW  | Media                | No         | Switch                   | Win8 Pro64   |

\* Model in italics shows that this is a Global Model \*\* DL = Dual Link, SL = Single Link

• For detailed ThinkStation E32 Tower platform specifications, please see [ThinkStation E32 Platform Specifications sheet](#)

|   |  |
|---|--|
| Chipset                                   | <b>Intel C226 Chipset</b>  |
| Intel AMT                                 | Intel Active Management Technology 9 supported on models with Intel Xeon processors  |
| Processor                                 | One <b>LGA1150</b> socket, integrated 2-channel DDR3 memory controller, optional integrated Intel HD Graphics on selected processors   |
| Memory                                    | 1600MHz UDIMM, DDR3, ECC or non-ECC, 2-channel capable   |
| Memory DIMM sockets                       | Four 240-pin DIMM sockets, up to 32GB ECC/non-ECC (8GBx4)  |
| Additional memory disclaimers             | <ul style="list-style-type: none"> <li>Actual memory operating speed depends on processor memory controller speed, installed memory speed, and quantity of memory DIMMs</li> <li>Mixing of ECC and non-ECC is not supported</li> <li>Intel Core i5/i7 processors support non-ECC memory only</li> </ul>  |
| Intel HD Graphics in processor (optional) | Integrated Intel HD Graphics on selected processors, uses main memory, works along with discrete graphics to support multi-display, enables three display connectors (2 DisplayPort, 1 VGA) on rear ports (detailed information please see <b>Rear ports</b> section)  |
| Discrete graphics adapters                | Two PCI Express x16 slots for discrete graphics adapters: <ul style="list-style-type: none"> <li>One PCI Express 3.0 x16 slot (75W max, near CPU)</li> <li>One PCI Express 2.0 x16 slot (x4 electrical, 75W max)</li> </ul>  |
| Onboard drive controllers                 | Four SATA connectors via onboard drive controller in chipset, SATA 6.0Gb/s, RAID 0, 1, 5 support, supports Intel Smart Response Technology   |
| Storage                                   | Up to three 3.5" SATA (SATA 6.0Gb/s, 7200rpm)/2.5" SATA (SATA 6.0Gb/s, 10000rpm)/SATA SSD (SATA 6.0Gb/s) drives; up to one mSATA SSD drive (SATA 6.0Gb/s)  |
| Optical                                   | Supports DVD-ROM, DVD±RW, or Blu-ray Burner, 1.6" high, SATA interface   |
| Media reader (opt)                        | Optional 29-in-1 media card reader on selected models  |
| Front ports                               | Two USB 3.0 (blue), microphone (3.5mm), headphone (3.5mm)  |
| Rear ports                                | One VGA and two DisplayPort for models with Intel HD Graphics, two USB 2.0, four USB 3.0 (blue), one serial (9-pin), one ethernet (RJ-45), three analog audio ports (line-in, line-out, mic-in)  |
| IEEE 1394 adptr (opt)                     | Optional FireWire PCIe adapter on selected models, 1394a-2000, 400Mbps, two 6-pin ports on rear  |
| Audio                                     | High Definition (HD) Audio, Realtek® ALC662 codec  |
| Speaker                                   | Internal speaker for business audio  |
| Onboard Ethernet                          | One onboard gigabit ethernet, Intel I217LM   |
| Security                                  | <ul style="list-style-type: none"> <li>Security chip: STMicro ST33ZP24AR28PVSP, TCG 1.2-compliant</li> <li>Security slot (in rear for optional Kensington Microsaver cable; prohibits side cover removal)</li> <li>Power-on/Administrator password</li> <li>Boot sequence control</li> <li>Boot without keyboard, mouse</li> <li>Serial port I/O control</li> <li>USB port disablement (front or all/individual)</li> <li>Chassis intrusion switch available on selected models</li> </ul> |
| Keyboard/Mouse                            | 104-key keyboard (USB)/Optical Wheel Mouse (USB)   |
| Power supply                              | 280 watts with variable speed fan, autosensing, 85% PSU, Climate Savers® Computing Bronze, 80 PLUS® Bronze qualified   |
| Environmental certifications              | GREENGUARD® certified/RoHS-compliant/EPEAT™ Gold rating/ENERGY STAR 5.2 qualified  |
| ISV certifications                        | For the latest list of certifications, please visit <a href="http://www.lenovo.com/support/ISV">www.lenovo.com/support/ISV</a>   |
| Limited warranty <sup>1</sup>             | 3-year parts and labor   |



- Bay 1 Standard, 5.25", 1.6" high, external, for optical
- Bay 2 Standard, 5.25", 1.6" high, external, for optical or: optional, 3.5", 1" high, 3rd hard drive bay
- Bay 3 Optional, 3.5", 1" high, supports one of the following:  
 (1) for optional media card reader, external  
 (2) for optional mSATA drive, internal
- Bay 4 Standard, 3.5", 1" high, internal, primary hard drive bay
- Bay 5 Standard, 3.5", 1" high, internal, 2nd hard drive bay

**Notes:**

Standard optical and hard drive bays are included in models; optional hard drive bays are available on models with the corresponding hard drives only

**Expansion Slots**

- 1: half-length, full-height, PCIe 3.0 x16 (75w max, near CPU)
- 2: half-length, full-height, PCIe 2.0 x1
- 3: half-length, full-height, PCIe 2.0 x16 (x4 elec, 75W max)
- 4: half-length, full-height, PCI 2.3

**Mechanical**

- Raven black color; metal case
- 6.9"W x 17.0"D x 16.7"H (with handle)
- 175mm W x 431mm D x 425mm H
- 27.56 lb (12.5kg) max configuration
- 25-liter
- Removable handle on top front
- Toolless side cover removal
- Toolless disk and optical drive removal (standard bays)
- Toolless adapter retention
- Illuminated front icons
- Recessed power button

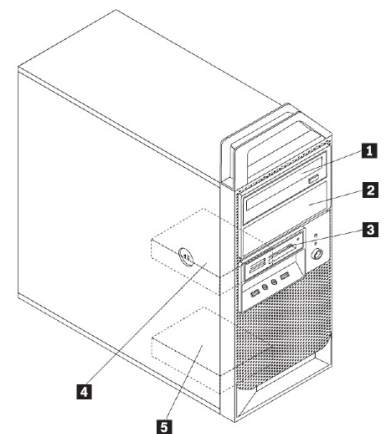
| Type-model <sup>1</sup> | Processor                            | Memory (MHz/type) | Memory DIMMs | Intel HD Graphics | Discrete graphics adapters <sup>**</sup>    | Pre-conf RAID | Storage           | Optical | 29-in-1 Media reader | 1394 adptr | Chassis intrusion switch | Preloaded OS                     |
|-------------------------|--------------------------------------|-------------------|--------------|-------------------|---|---------------|-------------------|---------|----------------------|------------|--------------------------|----------------------------------|
| 30A1000RUS              | Core i3-4130 (2C/3.4GHz/3MB/1600MHz) | 1600MHz Non-ECC   | 4GBx1        | Intel HD 4400     |   | No            | 1x500GB 3.5" SATA | DVD±RW  | Media                | No         | Switch                   | Win7 Pro64                       |
| 30A1000SUS              | Core i3-4330 (2C/3.5GHz/4MB/1600MHz) | 1600MHz Non-ECC   | 4GBx1        | Intel HD 4600     |   | No            | 1x500GB 3.5" SATA | DVD±RW  | Media                | No         | No                       | Win7 Pro64 (Downgrade from Win8) |
| 30A1002FUS              | Core i3-4330 (2C/3.5GHz/4MB/1600MHz) | 1600MHz Non-ECC   | 4GBx1        | Intel HD 4600     | 1xQuadro 410 (512MB, 1xDVI-I DL, 1xDP, 37W) | No            | 1x500GB 3.5" SATA | DVD±RW  | Media                | No         | Switch                   | Win7 Pro64 (Downgrade from Win8) |
| 30A1002GUS              | Core i3-4330 (2C/3.5GHz/4MB/1600MHz) | 1600MHz Non-ECC   | 4GBx1        | Intel HD 4600     | 1xQuadro K600 (1GB, 1xDVI-I DL, 1xDP, 41W)  | No            | 1x500GB 3.5" SATA | DVD±RW  | Media                | No         | Switch                   | Win7 Pro64 (Downgrade from Win8) |
| 30A1002HUS              | Core i3-4330 (2C/3.5GHz/4MB/1600MHz) | 1600MHz Non-ECC   | 4GBx1        | Intel HD 4600     | 1xQuadro K2000 (2GB, 1xDVI-I DL, 2xDP, 51W) | No            | 1x1TB 3.5" SATA   | DVD±RW  | Media                | No         | Switch                   | Win7 Pro64 (Downgrade from Win8) |
| 30A1002WUS              | Core i3-4330 (2C/3.5GHz/4MB/1600MHz) | 1600MHz Non-ECC   | 4GBx1        | Intel HD 4600     |   | No            | 1x128GB SATA SSD  | DVD±RW  | Media                | No         | Switch                   | Win7 Pro64 (Downgrade from Win8) |
| 30A10037US              | Core i3-4330 (2C/3.5GHz/4MB/1600MHz) | 1600MHz Non-ECC   | 4GBx1        | Intel HD 4600     |   | No            | 1x500GB 3.5" SATA | DVD±RW  | Media                | No         | Switch                   | Win8 Pro64                       |

<sup>1</sup> Model in italics shows that this is a Global Model      <sup>\*\*</sup> DL = Dual Link, SL = Single Link

• For detailed ThinkStation E32 Tower platform specifications, please see [ThinkStation E32 Platform Specifications sheet](#)

|   |  |
|---|--|
| Chipset                                   | <b>Intel C226 Chipset</b>  |
| Intel AMT                                 | Intel Active Management Technology 9 supported on models with Intel Xeon processors  |
| Processor                                 | One <b>LGA1150</b> socket, integrated 2-channel DDR3 memory controller, optional integrated Intel HD Graphics on selected processors   |
| Memory                                    | 1600MHz UDIMM, DDR3, ECC or non-ECC, 2-channel capable   |
| Memory DIMM sockets                       | Four 240-pin DIMM sockets, up to 32GB ECC/non-ECC (8GBx4)  |
| Additional memory disclaimers             | <ul style="list-style-type: none"> <li>Actual memory operating speed depends on processor memory controller speed, installed memory speed, and quantity of memory DIMMs</li> <li>Mixing of ECC and non-ECC is not supported</li> <li>Intel Core i5/i7 processors support non-ECC memory only</li> </ul>  |
| Intel HD Graphics in processor (optional) | Integrated Intel HD Graphics on selected processors, uses main memory, works along with discrete graphics to support multi-display, enables three display connectors (2 DisplayPort, 1 VGA) on rear ports (detailed information please see <b>Rear ports</b> section)  |
| Discrete graphics adapters                | Two PCI Express x16 slots for discrete graphics adapters: <ul style="list-style-type: none"> <li>One PCI Express 3.0 x16 slot (75W max, near CPU)</li> <li>One PCI Express 2.0 x16 slot (x4 electrical, 75W max)</li> </ul>  |
| Onboard drive controllers                 | Four SATA connectors via onboard drive controller in chipset, SATA 6.0Gb/s, RAID 0, 1, 5 support, supports Intel Smart Response Technology   |
| Storage                                   | Up to three 3.5" SATA (SATA 6.0Gb/s, 7200rpm)/2.5" SATA (SATA 6.0Gb/s, 10000rpm)/SATA SSD (SATA 6.0Gb/s) drives; up to one mSATA SSD drive (SATA 6.0Gb/s)  |
| Optical                                   | Supports DVD-ROM, DVD±RW, or Blu-ray Burner, 1.6" high, SATA interface   |
| Media reader (opt)                        | Optional 29-in-1 media card reader on selected models  |
| Front ports                               | Two USB 3.0 (blue), microphone (3.5mm), headphone (3.5mm)  |
| Rear ports                                | One VGA and two DisplayPort for models with Intel HD Graphics, two USB 2.0, four USB 3.0 (blue), one serial (9-pin), one ethernet (RJ-45), three analog audio ports (line-in, line-out, mic-in)  |
| IEEE 1394 adptr (opt)                     | Optional FireWire PCIe adapter on selected models, 1394a-2000, 400Mbps, two 6-pin ports on rear  |
| Audio                                     | High Definition (HD) Audio, Realtek® ALC662 codec  |
| Speaker                                   | Internal speaker for business audio  |
| Onboard Ethernet                          | One onboard gigabit ethernet, Intel I217LM   |
| Security                                  | <ul style="list-style-type: none"> <li>Security chip: STMicro ST33ZP24AR28PVSP, TCG 1.2-compliant</li> <li>Security slot (in rear for optional Kensington Microsaver cable; prohibits side cover removal)</li> <li>Power-on/Administrator password</li> <li>Boot sequence control</li> <li>Boot without keyboard, mouse</li> <li>Serial port I/O control</li> <li>USB port disablement (front or all/individual)</li> <li>Chassis intrusion switch available on selected models</li> </ul> |
| Keyboard/Mouse                            | 104-key keyboard (USB)/Optical Wheel Mouse (USB)   |
| Power supply                              | 280 watts with variable speed fan, autosensing, 85% PSU, Climate Savers® Computing Bronze, 80 PLUS® Bronze qualified   |
| Environmental certifications              | GREENGUARD® certified/RoHS-compliant/EPEAT™ Gold rating/ENERGY STAR 5.2 qualified  |
| ISV certifications                        | For the latest list of certifications, please visit <a href="http://www.lenovo.com/support/ISV">www.lenovo.com/support/ISV</a>   |
| Limited warranty <sup>1</sup>             | 3-year parts and labor   |

**Drives Bays**



- Bay 1 Standard, 5.25", 1.6" high, external, for optical
- Bay 2 Standard, 5.25", 1.6" high, external, for optical or: optional, 3.5", 1" high, 3rd hard drive bay
- Bay 3 Optional, 3.5", 1" high, supports one of the following: (1) for optional media card reader, external (2) for optional mSATA drive, internal
- Bay 4 Standard, 3.5", 1" high, internal, primary hard drive bay
- Bay 5 Standard, 3.5", 1" high, internal, 2nd hard drive bay

**Notes:**

Standard optical and hard drive bays are included in models; optional hard drive bays are available on models with the corresponding hard drives only

**Expansion Slots**

- 1: half-length, full-height, PCIe 3.0 x16 (75w max, near CPU)
- 2: half-length, full-height, PCIe 2.0 x1
- 3: half-length, full-height, PCIe 2.0 x16 (x4 elec, 75W max)
- 4: half-length, full-height, PCI 2.3

**Mechanical**

- Raven black color; metal case
- 6.9"W x 17.0"D x 16.7"H (with handle)
- 175mm W x 431mm D x 425mm H
- 27.56 lb (12.5kg) max configuration • 25-liter
- Removable handle on top front
- Toolless side cover removal
- Toolless disk and optical drive removal (standard bays)
- Toolless adapter retention
- Illuminated front icons
- Recessed power button

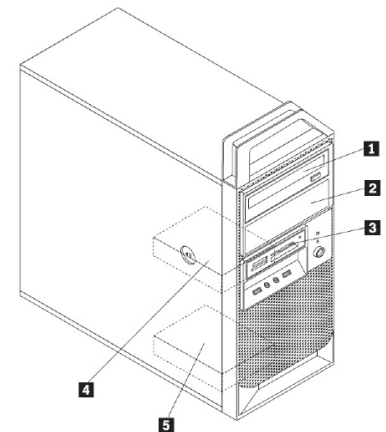
| Type-model <sup>1</sup> | Processor                            | Memory (MHz/type) | Memory DIMMs | Intel HD Graphics | Discrete graphics adapters <sup>**</sup>    | Pre-conf RAID | Storage           | Optical | 29-in-1 Media reader | 1394 adptr | Chassis intrusion switch | Preloaded OS |
|-------------------------|--------------------------------------|-------------------|--------------|-------------------|---|---------------|-------------------|---------|----------------------|------------|--------------------------|--------------|
| 30A10038US              | Core i3-4330 (2C/3.5GHz/4MB/1600MHz) | 1600MHz Non-ECC   | 4GBx1        | Intel HD 4600     | 1xQuadro 410 (512MB, 1xDVI-I DL, 1xDP, 37W) | No            | 1x500GB 3.5" SATA | DVD±RW  | Media                | No         | Switch                   | Win8 Pro64   |
| 30A10039US              | Core i3-4330 (2C/3.5GHz/4MB/1600MHz) | 1600MHz Non-ECC   | 4GBx1        | Intel HD 4600     | 1xQuadro K600 (1GB, 1xDVI-I DL, 1xDP, 41W)  | No            | 1x500GB 3.5" SATA | DVD±RW  | Media                | No         | Switch                   | Win8 Pro64   |
| 30A1003AUS              | Core i3-4330 (2C/3.5GHz/4MB/1600MHz) | 1600MHz Non-ECC   | 4GBx1        | Intel HD 4600     | 1xQuadro K2000 (2GB, 1xDVI-I DL, 2xDP, 51W) | No            | 1x1TB 3.5" SATA   | DVD±RW  | Media                | No         | Switch                   | Win8 Pro64   |
| 30A1003PUS              | Core i3-4330 (2C/3.5GHz/4MB/1600MHz) | 1600MHz Non-ECC   | 4GBx1        | Intel HD 4600     |   | No            | 1x128GB SATA SSD  | DVD±RW  | Media                | No         | Switch                   | Win8 Pro64   |

<sup>1</sup> Model in italics shows that this is a Global Model      <sup>\*\*</sup> DL = Dual Link, SL = Single Link

• For detailed ThinkStation E32 Tower platform specifications, please see [ThinkStation E32 Platform Specifications sheet](#)

|   |  |
|---|--|
| Chipset                                   | <b>Intel C226 Chipset</b>  |
| Intel AMT                                 | Intel Active Management Technology 9 supported on models with Intel Xeon processors  |
| Processor                                 | One <b>LGA1150</b> socket, integrated 2-channel DDR3 memory controller, optional integrated Intel HD Graphics on selected processors   |
| Memory                                    | 1600MHz UDIMM, DDR3, ECC or non-ECC, 2-channel capable   |
| Memory DIMM sockets                       | Four 240-pin DIMM sockets, up to 32GB ECC/non-ECC (8GBx4)  |
| Additional memory disclaimers             | <ul style="list-style-type: none"> <li>Actual memory operating speed depends on processor memory controller speed, installed memory speed, and quantity of memory DIMMs</li> <li>Mixing of ECC and non-ECC is not supported</li> <li>Intel Core i5/i7 processors support non-ECC memory only</li> </ul>  |
| Intel HD Graphics in processor (optional) | Integrated Intel HD Graphics on selected processors, uses main memory, works along with discrete graphics to support multi-display, enables three display connectors (2 DisplayPort, 1 VGA) on rear ports (detailed information please see <b>Rear ports</b> section)  |
| Discrete graphics adapters                | Two PCI Express x16 slots for discrete graphics adapters: <ul style="list-style-type: none"> <li>One PCI Express 3.0 x16 slot (75W max, near CPU)</li> <li>One PCI Express 2.0 x16 slot (x4 electrical, 75W max)</li> </ul>  |
| Onboard drive controllers                 | Four SATA connectors via onboard drive controller in chipset, SATA 6.0Gb/s, RAID 0, 1, 5 support, supports Intel Smart Response Technology   |
| Storage                                   | Up to three 3.5" SATA (SATA 6.0Gb/s, 7200rpm)/2.5" SATA (SATA 6.0Gb/s, 10000rpm)/SATA SSD (SATA 6.0Gb/s) drives; up to one mSATA SSD drive (SATA 6.0Gb/s)  |
| Optical                                   | Supports DVD-ROM, DVD±RW, or Blu-ray Burner, 1.6" high, SATA interface   |
| Media reader (opt)                        | Optional 29-in-1 media card reader on selected models  |
| Front ports                               | Two USB 3.0 (blue), microphone (3.5mm), headphone (3.5mm)  |
| Rear ports                                | One VGA and two DisplayPort for models with Intel HD Graphics, two USB 2.0, four USB 3.0 (blue), one serial (9-pin), one ethernet (RJ-45), three analog audio ports (line-in, line-out, mic-in)  |
| IEEE 1394 adptr (opt)                     | Optional FireWire PCIe adapter on selected models, 1394a-2000, 400Mbps, two 6-pin ports on rear  |
| Audio                                     | High Definition (HD) Audio, Realtek® ALC662 codec  |
| Speaker                                   | Internal speaker for business audio  |
| Onboard Ethernet                          | One onboard gigabit ethernet, Intel I217LM   |
| Security                                  | <ul style="list-style-type: none"> <li>Security chip: STMicro ST33ZP24AR28PVSP, TCG 1.2-compliant</li> <li>Security slot (in rear for optional Kensington Microsaver cable; prohibits side cover removal)</li> <li>Power-on/Administrator password</li> <li>Boot sequence control</li> <li>Boot without keyboard, mouse</li> <li>Serial port I/O control</li> <li>USB port disablement (front or all/individual)</li> <li>Chassis intrusion switch available on selected models</li> </ul> |
| Keyboard/Mouse                            | 104-key keyboard (USB)/Optical Wheel Mouse (USB)   |
| Power supply                              | 280 watts with variable speed fan, autosensing, 85% PSU, Climate Savers® Computing Bronze, 80 PLUS® Bronze qualified   |
| Environmental certifications              | GREENGUARD® certified/RoHS-compliant/EPEAT™ Gold rating/ENERGY STAR 5.2 qualified  |
| ISV certifications                        | For the latest list of certifications, please visit <a href="http://www.lenovo.com/support/ISV">www.lenovo.com/support/ISV</a>   |
| Limited warranty <sup>1</sup>             | 3-year parts and labor   |

**Drives Bays**



- Bay 1 Standard, 5.25", 1.6" high, external, for optical
- Bay 2 Standard, 5.25", 1.6" high, external, for optical or: optional, 3.5", 1" high, 3rd hard drive bay
- Bay 3 Optional, 3.5", 1" high, supports one of the following: (1) for optional media card reader, external (2) for optional mSATA drive, internal
- Bay 4 Standard, 3.5", 1" high, internal, primary hard drive bay
- Bay 5 Standard, 3.5", 1" high, internal, 2nd hard drive bay

**Notes:**

Standard optical and hard drive bays are included in models; optional hard drive bays are available on models with the corresponding hard drives only

**Expansion Slots**

- 1: half-length, full-height, PCIe 3.0 x16 (75w max, near CPU)
- 2: half-length, full-height, PCIe 2.0 x1
- 3: half-length, full-height, PCIe 2.0 x16 (x4 elec, 75W max)
- 4: half-length, full-height, PCI 2.3

**Mechanical**

- Raven black color; metal case
- 6.9"W x 17.0"D x 16.7"H (with handle)
- 175mm W x 431mm D x 425mm H
- 27.56 lb (12.5kg) max configuration
- 25-liter
- Removable handle on top front
- Toolless side cover removal
- Toolless disk and optical drive removal (standard bays)
- Toolless adapter retention
- Illuminated front icons
- Recessed power button

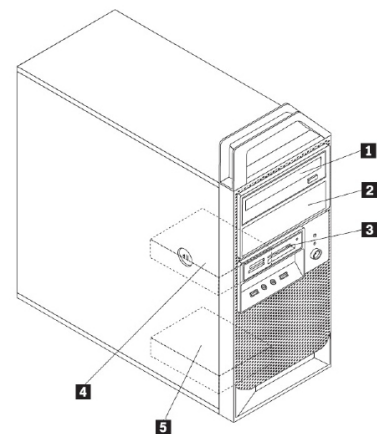
| Type-model | Processor                               | Memory (MHz/type) | Memory DIMMs | Intel HD Graphics | Discrete graphics adapters**                | Pre-conf RAID | Storage           | Optical | 29-in-1 Media reader | 1394 adptr | Chassis intrusion switch | Preloaded OS                     |
|------------|---|-------------------|--------------|-------------------|---|---------------|-------------------|---------|----------------------|------------|--------------------------|----------------------------------|
| 30A0002TUS | Core i5-4670 (4C/3.4GHz/6MB/1600MHz)    | 1600MHz Non-ECC   | 8GBx1        | Intel HD 4600     | 1xQuadro K2000 (2GB, 1xDVI-I DL, 2xDP, 51W) | No            | 1x1TB 3.5" SATA   | DVD±RW  | Media                | No         | Switch                   | Win7 Pro64 (Downgrade from Win8) |
| 30A0002UUS | Core i5-4570 (4C/3.2GHz/6MB/1600MHz)    | 1600MHz Non-ECC   | 8GBx1        | Intel HD 4600     | 1xQuadro K600 (1GB, 1xDVI-I DL, 1xDP, 41W)  | No            | 1x500GB 3.5" SATA | DVD±RW  | Media                | No         | Switch                   | Win7 Pro64 (Downgrade from Win8) |
| 30A0002VUS | Core i5-4570 (4C/3.2GHz/6MB/1600MHz)    | 1600MHz Non-ECC   | 4GBx1        | Intel HD 4600     | 1xQuadro K600 (1GB, 1xDVI-I DL, 1xDP, 41W)  | No            | 1x1TB 3.5" SATA   | DVD±RW  | Media                | No         | Switch                   | Win7 Pro64 (Downgrade from Win8) |
| 30A0002WUS | Core i7-4770 (4C/3.4GHz/8MB/1600MHz)    | 1600MHz Non-ECC   | 8GBx1        | Intel HD 4600     | 1xQuadro K2000 (2GB, 1xDVI-I DL, 2xDP, 51W) | No            | 1x1TB 3.5" SATA   | DVD±RW  | Media                | No         | Switch                   | Win7 Pro64 (Downgrade from Win8) |
| 30A0002XUS | Xeon E3-1225 v3 (4C/3.2GHz/8MB/1600MHz) | 1600MHz Non-ECC   | 4GBx1        | Intel HD P4600    | 1xQuadro K2000 (2GB, 1xDVI-I DL, 2xDP, 51W) | No            | 1x1TB 3.5" SATA   | DVD±RW  | Media                | No         | Switch                   | Win7 Pro64 (Downgrade from Win8) |
| 30A0002YUS | Xeon E3-1245 v3 (4C/3.4GHz/8MB/1600MHz) | 1600MHz Non-ECC   | 8GBx1        | Intel HD P4600    | 1xQuadro K600 (1GB, 1xDVI-I DL, 1xDP, 41W)  | No            | 1x1TB 3.5" SATA   | DVD±RW  | Media                | No         | Switch                   | Win7 Pro64 (Downgrade from Win8) |
| 30A0003OUS | Xeon E3-1245 v3 (4C/3.4GHz/8MB/1600MHz) | 1600MHz Non-ECC   | 8GBx1        | Intel HD P4600    | 1xQuadro K2000 (2GB, 1xDVI-I DL, 2xDP, 51W) | No            | 1x1TB 3.5" SATA   | DVD±RW  | Media                | No         | Switch                   | Win7 Pro64 (Downgrade from Win8) |

\* Model in italics shows that this is a Global Model \*\* DL = Dual Link, SL = Single Link

• For detailed ThinkStation E32 Tower platform specifications, please see [ThinkStation E32 Platform Specifications sheet](#)

|   |  |
|---|--|
| Chipset                                   | <b>Intel C226 Chipset</b>  |
| Intel AMT                                 | Intel Active Management Technology 9 supported on models with Intel Xeon processors  |
| Processor                                 | One <b>LGA1150</b> socket, integrated 2-channel DDR3 memory controller, optional integrated Intel HD Graphics on selected processors   |
| Memory                                    | 1600MHz UDIMM, DDR3, ECC or non-ECC, 2-channel capable   |
| Memory DIMM sockets                       | Four 240-pin DIMM sockets, up to 32GB ECC/non-ECC (8GBx4)  |
| Additional memory disclaimers             | <ul style="list-style-type: none"> <li>Actual memory operating speed depends on processor memory controller speed, installed memory speed, and quantity of memory DIMMs</li> <li>Mixing of ECC and non-ECC is not supported</li> <li>Intel Core i5/i7 processors support non-ECC memory only</li> </ul>  |
| Intel HD Graphics in processor (optional) | Integrated Intel HD Graphics on selected processors, uses main memory, works along with discrete graphics to support multi-display, enables three display connectors (2 DisplayPort, 1 VGA) on rear ports (detailed information please see <b>Rear ports</b> section)  |
| Discrete graphics adapters                | Two PCI Express x16 slots for discrete graphics adapters: <ul style="list-style-type: none"> <li>One PCI Express 3.0 x16 slot (75W max, near CPU)</li> <li>One PCI Express 2.0 x16 slot (x4 electrical, 75W max)</li> </ul>  |
| Onboard drive controllers                 | Four SATA connectors via onboard drive controller in chipset, SATA 6.0Gb/s, RAID 0, 1, 5 support, supports Intel Smart Response Technology   |
| Storage                                   | Up to three 3.5" SATA (SATA 6.0Gb/s, 7200rpm)/2.5" SATA (SATA 6.0Gb/s, 10000rpm)/SATA SSD (SATA 6.0Gb/s) drives; up to one mSATA SSD drive (SATA 6.0Gb/s)  |
| Optical                                   | Supports DVD-ROM, DVD±RW, or Blu-ray Burner, 1.6" high, SATA interface   |
| Media reader (opt)                        | Optional 29-in-1 media card reader on selected models  |
| Front ports                               | Two USB 3.0 (blue), microphone (3.5mm), headphone (3.5mm)  |
| Rear ports                                | One VGA and two DisplayPort for models with Intel HD Graphics, two USB 2.0, four USB 3.0 (blue), one serial (9-pin), one ethernet (RJ-45), three analog audio ports (line-in, line-out, mic-in)  |
| IEEE 1394 adptr (opt)                     | Optional FireWire PCIe adapter on selected models, 1394a-2000, 400Mbps, two 6-pin ports on rear  |
| Audio                                     | High Definition (HD) Audio, Realtek® ALC662 codec  |
| Speaker                                   | Internal speaker for business audio  |
| Onboard Ethernet                          | One onboard gigabit ethernet, Intel I217LM   |
| Security                                  | <ul style="list-style-type: none"> <li>Security chip: STMicro ST33ZP24AR28PVSP, TCG 1.2-compliant</li> <li>Security slot (in rear for optional Kensington Microsaver cable; prohibits side cover removal)</li> <li>Power-on/Administrator password</li> <li>Boot sequence control</li> <li>Boot without keyboard, mouse</li> <li>Serial port I/O control</li> <li>USB port disablement (front or all/individual)</li> <li>Chassis intrusion switch available on selected models</li> </ul> |
| Keyboard/Mouse                            | 104-key keyboard (USB)/Optical Wheel Mouse (USB)   |
| Power supply                              | 280 watts with variable speed fan, autosensing, 85% PSU, Climate Savers® Computing Bronze, 80 PLUS® Bronze qualified   |
| Environmental certifications              | GREENGUARD® certified/RoHS-compliant/EPEAT™ Gold rating/ENERGY STAR 5.2 qualified  |
| ISV certifications                        | For the latest list of certifications, please visit <a href="http://www.lenovo.com/support/ISV">www.lenovo.com/support/ISV</a>   |
| Limited warranty <sup>1</sup>             | 3-year parts and labor   |

**Drives Bays**



- Bay 1 Standard, 5.25", 1.6" high, external, for optical
- Bay 2 Standard, 5.25", 1.6" high, external, for optical or: optional, 3.5", 1" high, 3rd hard drive bay
- Bay 3 Optional, 3.5", 1" high, supports one of the following: (1) for optional media card reader, external (2) for optional mSATA drive, internal
- Bay 4 Standard, 3.5", 1" high, internal, primary hard drive bay
- Bay 5 Standard, 3.5", 1" high, internal, 2nd hard drive bay

**Notes:**

Standard optical and hard drive bays are included in models; optional hard drive bays are available on models with the corresponding hard drives only

**Expansion Slots**

- 1: half-length, full-height, PCIe 3.0 x16 (75w max, near CPU)
- 2: half-length, full-height, PCIe 2.0 x1
- 3: half-length, full-height, PCIe 2.0 x16 (x4 elec, 75W max)
- 4: half-length, full-height, PCI 2.3

**Mechanical**

- Raven black color; metal case
- 6.9"W x 17.0"D x 16.7"H (with handle)
- 175mm W x 431mm D x 425mm H
- 27.56 lb (12.5kg) max configuration
- 25-liter
- Removable handle on top front
- Toolless side cover removal
- Toolless disk and optical drive removal (standard bays)
- Toolless adapter retention
- Illuminated front icons
- Recessed power button

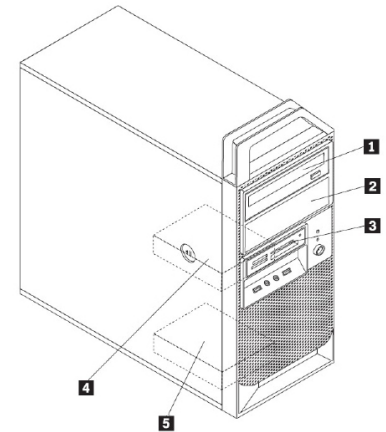
| Type-model | Processor                               | Memory (MHz/type) | Memory DIMMs | Intel HD Graphics | Discrete graphics adapters**                | Pre-conf RAID | Storage           | Optical | 29-in-1 Media reader | 1394 adptr | Chassis intrusion switch | Preloaded OS                     |
|------------|---|-------------------|--------------|-------------------|---|---------------|-------------------|---------|----------------------|------------|--------------------------|----------------------------------|
| 30A00031US | Xeon E3-1275 v3 (4C/3.5GHz/8MB/1600MHz) | 1600MHz Non-ECC   | 8GBx1        | Intel HD P4600    | 1xQuadro K2000 (2GB, 1xDVI-I DL, 2xDP, 51W) | No            | 1x1TB 3.5" SATA   | DVD±RW  | Media                | No         | Switch                   | Win7 Pro64 (Downgrade from Win8) |
| 30A00032US | Core i5-4670 (4C/3.4GHz/6MB/1600MHz)    | 1600MHz Non-ECC   | 8GBx1        | Intel HD 4600     | 1xQuadro K600 (1GB, 1xDVI-I DL, 1xDP, 41W)  | No            | 1x180GB SATA SSD  | DVD±RW  | Media                | No         | Switch                   | Win7 Pro64 (Downgrade from Win8) |
| 30A00033US | Core i7-4770 (4C/3.4GHz/8MB/1600MHz)    | 1600MHz Non-ECC   | 8GBx1        | Intel HD 4600     | 1xQuadro K600 (1GB, 1xDVI-I DL, 1xDP, 41W)  | No            | 1x180GB SATA SSD  | DVD±RW  | Media                | No         | Switch                   | Win7 Pro64 (Downgrade from Win8) |
| 30A00034US | Xeon E3-1245 v3 (4C/3.4GHz/8MB/1600MHz) | 1600MHz Non-ECC   | 8GBx1        | Intel HD P4600    | 1xQuadro K600 (1GB, 1xDVI-I DL, 1xDP, 41W)  | No            | 1x180GB SATA SSD  | DVD±RW  | Media                | No         | Switch                   | Win7 Pro64 (Downgrade from Win8) |
| 30A00035US | Xeon E3-1280 v3 (4C/3.6GHz/8MB/1600MHz) | 1600MHz Non-ECC   | 8GBx1        | Intel HD P4600    | 1xQuadro K2000 (2GB, 1xDVI-I DL, 2xDP, 51W) | No            | 1x1TB 3.5" SATA   | DVD±RW  | Media                | No         | Switch                   | Win7 Pro64 (Downgrade from Win8) |
| 30A00039US | Core i5-4670 (4C/3.4GHz/6MB/1600MHz)    | 1600MHz Non-ECC   | 8GBx1        | Intel HD 4600     | 1xQuadro K2000 (2GB, 1xDVI-I DL, 2xDP, 51W) | No            | 1x1TB 3.5" SATA   | DVD±RW  | Media                | No         | Switch                   | Win8 Pro64                       |
| 30A0003AUS | Core i5-4570 (4C/3.2GHz/6MB/1600MHz)    | 1600MHz Non-ECC   | 8GBx1        | Intel HD 4600     | 1xQuadro K600 (1GB, 1xDVI-I DL, 1xDP, 41W)  | No            | 1x500GB 3.5" SATA | DVD±RW  | Media                | No         | Switch                   | Win8 Pro64                       |

\* Model in italics shows that this is a Global Model \*\* DL = Dual Link, SL = Single Link

• For detailed ThinkStation E32 Tower platform specifications, please see [ThinkStation E32 Platform Specifications sheet](#)

|   |  |
|---|--|
| Chipset                                   | <b>Intel C226 Chipset</b>  |
| Intel AMT                                 | Intel Active Management Technology 9 supported on models with Intel Xeon processors  |
| Processor                                 | One <b>LGA1150</b> socket, integrated 2-channel DDR3 memory controller, optional integrated Intel HD Graphics on selected processors   |
| Memory                                    | 1600MHz UDIMM, DDR3, ECC or non-ECC, 2-channel capable   |
| Memory DIMM sockets                       | Four 240-pin DIMM sockets, up to 32GB ECC/non-ECC (8GBx4)  |
| Additional memory disclaimers             | <ul style="list-style-type: none"> <li>Actual memory operating speed depends on processor memory controller speed, installed memory speed, and quantity of memory DIMMs</li> <li>Mixing of ECC and non-ECC is not supported</li> <li>Intel Core i5/i7 processors support non-ECC memory only</li> </ul>  |
| Intel HD Graphics in processor (optional) | Integrated Intel HD Graphics on selected processors, uses main memory, works along with discrete graphics to support multi-display, enables three display connectors (2 DisplayPort, 1 VGA) on rear ports (detailed information please see <b>Rear ports</b> section)  |
| Discrete graphics adapters                | Two PCI Express x16 slots for discrete graphics adapters: <ul style="list-style-type: none"> <li>One PCI Express 3.0 x16 slot (75W max, near CPU)</li> <li>One PCI Express 2.0 x16 slot (x4 electrical, 75W max)</li> </ul>  |
| Onboard drive controllers                 | Four SATA connectors via onboard drive controller in chipset, SATA 6.0Gb/s, RAID 0, 1, 5 support, supports Intel Smart Response Technology   |
| Storage                                   | Up to three 3.5" SATA (SATA 6.0Gb/s, 7200rpm)/2.5" SATA (SATA 6.0Gb/s, 10000rpm)/SATA SSD (SATA 6.0Gb/s) drives; up to one mSATA SSD drive (SATA 6.0Gb/s)  |
| Optical                                   | Supports DVD-ROM, DVD±RW, or Blu-ray Burner, 1.6" high, SATA interface   |
| Media reader (opt)                        | Optional 29-in-1 media card reader on selected models  |
| Front ports                               | Two USB 3.0 (blue), microphone (3.5mm), headphone (3.5mm)  |
| Rear ports                                | One VGA and two DisplayPort for models with Intel HD Graphics, two USB 2.0, four USB 3.0 (blue), one serial (9-pin), one ethernet (RJ-45), three analog audio ports (line-in, line-out, mic-in)  |
| IEEE 1394 adptr (opt)                     | Optional FireWire PCIe adapter on selected models, 1394a-2000, 400Mbps, two 6-pin ports on rear  |
| Audio                                     | High Definition (HD) Audio, Realtek® ALC662 codec  |
| Speaker                                   | Internal speaker for business audio  |
| Onboard Ethernet                          | One onboard gigabit ethernet, Intel I217LM   |
| Security                                  | <ul style="list-style-type: none"> <li>Security chip: STMicro ST33ZP24AR28PVSP, TCG 1.2-compliant</li> <li>Security slot (in rear for optional Kensington Microsaver cable; prohibits side cover removal)</li> <li>Power-on/Administrator password</li> <li>Boot sequence control</li> <li>Boot without keyboard, mouse</li> <li>Serial port I/O control</li> <li>USB port disablement (front or all/individual)</li> <li>Chassis intrusion switch available on selected models</li> </ul> |
| Keyboard/Mouse                            | 104-key keyboard (USB)/Optical Wheel Mouse (USB)   |
| Power supply                              | 280 watts with variable speed fan, autosensing, 85% PSU, Climate Savers® Computing Bronze, 80 PLUS® Bronze qualified   |
| Environmental certifications              | GREENGUARD® certified/RoHS-compliant/EPEAT™ Gold rating/ENERGY STAR 5.2 qualified  |
| ISV certifications                        | For the latest list of certifications, please visit <a href="http://www.lenovo.com/support/ISV">www.lenovo.com/support/ISV</a>   |
| Limited warranty <sup>1</sup>             | 3-year parts and labor   |

**Drives Bays**



- Bay 1 Standard, 5.25", 1.6" high, external, for optical
- Bay 2 Standard, 5.25", 1.6" high, external, for optical or: optional, 3.5", 1" high, 3rd hard drive bay
- Bay 3 Optional, 3.5", 1" high, supports one of the following: (1) for optional media card reader, external (2) for optional mSATA drive, internal
- Bay 4 Standard, 3.5", 1" high, internal, primary hard drive bay
- Bay 5 Standard, 3.5", 1" high, internal, 2nd hard drive bay

**Notes:**

Standard optical and hard drive bays are included in models; optional hard drive bays are available on models with the corresponding hard drives only

**Expansion Slots**

- 1: half-length, full-height, PCIe 3.0 x16 (75w max, near CPU)
- 2: half-length, full-height, PCIe 2.0 x1
- 3: half-length, full-height, PCIe 2.0 x16 (x4 elec, 75W max)
- 4: half-length, full-height, PCI 2.3

**Mechanical**

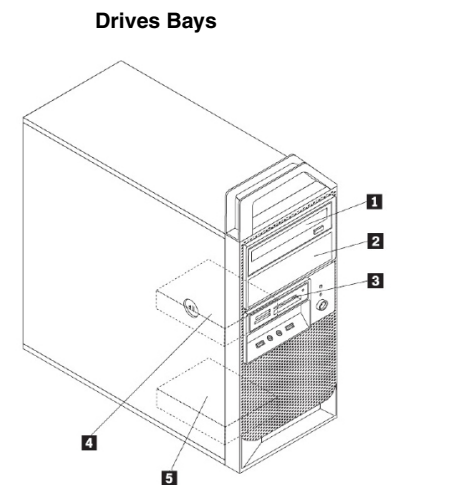
- Raven black color; metal case
- 6.9"W x 17.0"D x 16.7"H (with handle)
- 175mm W x 431mm D x 425mm H
- 27.56 lb (12.5kg) max configuration
- 25-liter
- Removable handle on top front
- Toolless side cover removal
- Toolless disk and optical drive removal (standard bays)
- Toolless adapter retention
- Illuminated front icons
- Recessed power button

| Type-model | Processor                               | Memory (MHz/type) | Memory DIMMs | Intel HD Graphics | Discrete graphics adapters**                | Pre-conf RAID | Storage          | Optical | 29-in-1 Media reader | 1394 adptr | Chassis intrusion switch | Preloaded OS |
|------------|---|-------------------|--------------|-------------------|---|---------------|------------------|---------|----------------------|------------|--------------------------|--------------|
| 30A0003BUS | Core i5-4570 (4C/3.2GHz/6MB/1600MHz)    | 1600MHz Non-ECC   | 4GBx1        | Intel HD 4600     | 1xQuadro K600 (1GB, 1xDVI-I DL, 1xDP, 41W)  | No            | 1x1TB 3.5" SATA  | DVD±RW  | Media                | No         | Switch                   | Win8 Pro64   |
| 30A0003CUS | Core i7-4770 (4C/3.4GHz/8MB/1600MHz)    | 1600MHz Non-ECC   | 8GBx1        | Intel HD 4600     | 1xQuadro K2000 (2GB, 1xDVI-I DL, 2xDP, 51W) | No            | 1x1TB 3.5" SATA  | DVD±RW  | Media                | No         | Switch                   | Win8 Pro64   |
| 30A0003DUS | Xeon E3-1225 v3 (4C/3.2GHz/8MB/1600MHz) | 1600MHz Non-ECC   | 4GBx1        | Intel HD P4600    | 1xQuadro K2000 (2GB, 1xDVI-I DL, 2xDP, 51W) | No            | 1x1TB 3.5" SATA  | DVD±RW  | Media                | No         | Switch                   | Win8 Pro64   |
| 30A0003EUS | Xeon E3-1245 v3 (4C/3.4GHz/8MB/1600MHz) | 1600MHz Non-ECC   | 8GBx1        | Intel HD P4600    | 1xQuadro K600 (1GB, 1xDVI-I DL, 1xDP, 41W)  | No            | 1x1TB 3.5" SATA  | DVD±RW  | Media                | No         | Switch                   | Win8 Pro64   |
| 30A0003FUS | Xeon E3-1245 v3 (4C/3.4GHz/8MB/1600MHz) | 1600MHz Non-ECC   | 8GBx1        | Intel HD P4600    | 1xQuadro K2000 (2GB, 1xDVI-I DL, 2xDP, 51W) | No            | 1x1TB 3.5" SATA  | DVD±RW  | Media                | No         | Switch                   | Win8 Pro64   |
| 30A0003GUS | Xeon E3-1275 v3 (4C/3.5GHz/8MB/1600MHz) | 1600MHz Non-ECC   | 8GBx1        | Intel HD P4600    | 1xQuadro K2000 (2GB, 1xDVI-I DL, 2xDP, 51W) | No            | 1x1TB 3.5" SATA  | DVD±RW  | Media                | No         | Switch                   | Win8 Pro64   |
| 30A0003HUS | Core i5-4670 (4C/3.4GHz/6MB/1600MHz)    | 1600MHz Non-ECC   | 8GBx1        | Intel HD 4600     | 1xQuadro K600 (1GB, 1xDVI-I DL, 1xDP, 41W)  | No            | 1x180GB SATA SSD | DVD±RW  | Media                | No         | Switch                   | Win8 Pro64   |

\* Model in italics shows that this is a Global Model \*\* DL = Dual Link, SL = Single Link

• For detailed ThinkStation E32 Tower platform specifications, please see [ThinkStation E32 Platform Specifications sheet](#)

|   |  |
|---|--|
| Chipset                                   | <b>Intel C226 Chipset</b>  |
| Intel AMT                                 | Intel Active Management Technology 9 supported on models with Intel Xeon processors  |
| Processor                                 | One <b>LGA1150</b> socket, integrated 2-channel DDR3 memory controller, optional integrated Intel HD Graphics on selected processors   |
| Memory                                    | 1600MHz UDIMM, DDR3, ECC or non-ECC, 2-channel capable   |
| Memory DIMM sockets                       | Four 240-pin DIMM sockets, up to 32GB ECC/non-ECC (8GBx4)  |
| Additional memory disclaimers             | <ul style="list-style-type: none"> <li>Actual memory operating speed depends on processor memory controller speed, installed memory speed, and quantity of memory DIMMs</li> <li>Mixing of ECC and non-ECC is not supported</li> <li>Intel Core i5/i7 processors support non-ECC memory only</li> </ul>  |
| Intel HD Graphics in processor (optional) | Integrated Intel HD Graphics on selected processors, uses main memory, works along with discrete graphics to support multi-display, enables three display connectors (2 DisplayPort, 1 VGA) on rear ports (detailed information please see <b>Rear ports</b> section)  |
| Discrete graphics adapters                | Two PCI Express x16 slots for discrete graphics adapters: <ul style="list-style-type: none"> <li>One PCI Express 3.0 x16 slot (75W max, near CPU)</li> <li>One PCI Express 2.0 x16 slot (x4 electrical, 75W max)</li> </ul>  |
| Onboard drive controllers                 | Four SATA connectors via onboard drive controller in chipset, SATA 6.0Gb/s, RAID 0, 1, 5 support, supports Intel Smart Response Technology   |
| Storage                                   | Up to three 3.5" SATA (SATA 6.0Gb/s, 7200rpm)/2.5" SATA (SATA 6.0Gb/s, 10000rpm)/SATA SSD (SATA 6.0Gb/s) drives; up to one mSATA SSD drive (SATA 6.0Gb/s)  |
| Optical                                   | Supports DVD-ROM, DVD±RW, or Blu-ray Burner, 1.6" high, SATA interface   |
| Media reader (opt)                        | Optional 29-in-1 media card reader on selected models  |
| Front ports                               | Two USB 3.0 (blue), microphone (3.5mm), headphone (3.5mm)  |
| Rear ports                                | One VGA and two DisplayPort for models with Intel HD Graphics, two USB 2.0, four USB 3.0 (blue), one serial (9-pin), one ethernet (RJ-45), three analog audio ports (line-in, line-out, mic-in)  |
| IEEE 1394 adptr (opt)                     | Optional FireWire PCIe adapter on selected models, 1394a-2000, 400Mbps, two 6-pin ports on rear  |
| Audio                                     | High Definition (HD) Audio, Realtek® ALC662 codec  |
| Speaker                                   | Internal speaker for business audio  |
| Onboard Ethernet                          | One onboard gigabit ethernet, Intel I217LM   |
| Security                                  | <ul style="list-style-type: none"> <li>Security chip: STMicro ST33ZP24AR28PVSP, TCG 1.2-compliant</li> <li>Security slot (in rear for optional Kensington Microsaver cable; prohibits side cover removal)</li> <li>Power-on/Administrator password</li> <li>Boot sequence control</li> <li>Boot without keyboard, mouse</li> <li>Serial port I/O control</li> <li>USB port disablement (front or all/individual)</li> <li>Chassis intrusion switch available on selected models</li> </ul> |
| Keyboard/Mouse                            | 104-key keyboard (USB)/Optical Wheel Mouse (USB)   |
| Power supply                              | 280 watts with variable speed fan, autosensing, 85% PSU, Climate Savers® Computing Bronze, 80 PLUS® Bronze qualified   |
| Environmental certifications              | GREENGUARD® certified/RoHS-compliant/EPEAT™ Gold rating/ENERGY STAR 5.2 qualified  |
| ISV certifications                        | For the latest list of certifications, please visit <a href="http://www.lenovo.com/support/ISV">www.lenovo.com/support/ISV</a>   |
| Limited warranty <sup>1</sup>             | 3-year parts and labor   |



- Bay 1 Standard, 5.25", 1.6" high, external, for optical
- Bay 2 Standard, 5.25", 1.6" high, external, for optical or: optional, 3.5", 1" high, 3rd hard drive bay
- Bay 3 Optional, 3.5", 1" high, supports one of the following:  
 (1) for optional media card reader, external  
 (2) for optional mSATA drive, internal
- Bay 4 Standard, 3.5", 1" high, internal, primary hard drive bay
- Bay 5 Standard, 3.5", 1" high, internal, 2nd hard drive bay

**Notes:**

Standard optical and hard drive bays are included in models; optional hard drive bays are available on models with the corresponding hard drives only

**Expansion Slots**

- 1: half-length, full-height, PCIe 3.0 x16 (75w max, near CPU)
- 2: half-length, full-height, PCIe 2.0 x1
- 3: half-length, full-height, PCIe 2.0 x16 (x4 elec, 75W max)
- 4: half-length, full-height, PCI 2.3

**Mechanical**

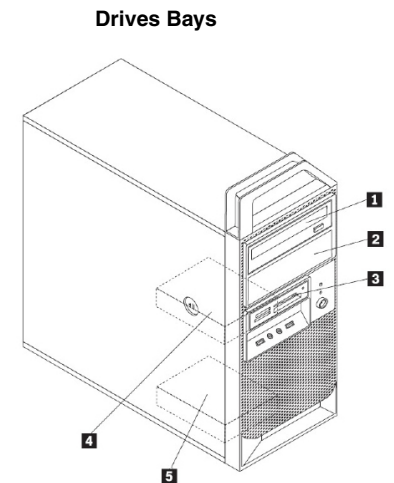
- Raven black color; metal case
- 6.9"W x 17.0"D x 16.7"H (with handle)
- 175mm W x 431mm D x 425mm H
- 27.56 lb (12.5kg) max configuration
- 25-liter
- Removable handle on top front
- Toolless side cover removal
- Toolless disk and optical drive removal (standard bays)
- Toolless adapter retention
- Illuminated front icons
- Recessed power button

| Type-model | Processor                               | Memory (MHz/type) | Memory DIMMs | Intel HD Graphics | Discrete graphics adapters**                | Pre-conf RAID | Storage          | Optical | 29-in-1 Media reader | 1394 adptr | Chassis intrusion switch | Preloaded OS |
|------------|---|-------------------|--------------|-------------------|---|---------------|------------------|---------|----------------------|------------|--------------------------|--------------|
| 30A0003JUS | Core i7-4770 (4C/3.4GHz/8MB/1600MHz)    | 1600MHz Non-ECC   | 8GBx1        | Intel HD 4600     | 1xQuadro K600 (1GB, 1xDVI-I DL, 1xDP, 41W)  | No            | 1x180GB SATA SSD | DVD±RW  | Media                | No         | Switch                   | Win8 Pro64   |
| 30A0003KUS | Xeon E3-1245 v3 (4C/3.4GHz/8MB/1600MHz) | 1600MHz Non-ECC   | 8GBx1        | Intel HD P4600    | 1xQuadro K600 (1GB, 1xDVI-I DL, 1xDP, 41W)  | No            | 1x180GB SATA SSD | DVD±RW  | Media                | No         | Switch                   | Win8 Pro64   |
| 30A0003LUS | Xeon E3-1280 v3 (4C/3.6GHz/8MB/1600MHz) | 1600MHz Non-ECC   | 8GBx1        |                   | 1xQuadro K2000 (2GB, 1xDVI-I DL, 2xDP, 51W) | No            | 1x1TB 3.5" SATA  | DVD±RW  | Media                | No         | Switch                   | Win8 Pro64   |

\* Model in italics shows that this is a Global Model \*\* DL = Dual Link, SL = Single Link

• For detailed ThinkStation E32 Tower platform specifications, please see [ThinkStation E32 Platform Specifications sheet](#)

|   |  |
|---|--|
| Chipset                                   | <b>Intel C226 Chipset</b>  |
| Intel AMT                                 | Intel Active Management Technology 9 supported on models with Intel Xeon processors  |
| Processor                                 | One <b>LGA1150</b> socket, integrated 2-channel DDR3 memory controller, optional integrated Intel HD Graphics on selected processors   |
| Memory                                    | 1600MHz UDIMM, DDR3, ECC or non-ECC, 2-channel capable   |
| Memory DIMM sockets                       | Four 240-pin DIMM sockets, up to 32GB ECC/non-ECC (8GBx4)  |
| Additional memory disclaimers             | <ul style="list-style-type: none"> <li>Actual memory operating speed depends on processor memory controller speed, installed memory speed, and quantity of memory DIMMs</li> <li>Mixing of ECC and non-ECC is not supported</li> <li>Intel Core i5/i7 processors support non-ECC memory only</li> </ul>  |
| Intel HD Graphics in processor (optional) | Integrated Intel HD Graphics on selected processors, uses main memory, works along with discrete graphics to support multi-display, enables three display connectors (2 DisplayPort, 1 VGA) on rear ports (detailed information please see <b>Rear ports</b> section)  |
| Discrete graphics adapters                | Two PCI Express x16 slots for discrete graphics adapters: <ul style="list-style-type: none"> <li>One PCI Express 3.0 x16 slot (75W max, near CPU)</li> <li>One PCI Express 2.0 x16 slot (x4 electrical, 75W max)</li> </ul>  |
| Onboard drive controllers                 | Four SATA connectors via onboard drive controller in chipset, SATA 6.0Gb/s, RAID 0, 1, 5 support, supports Intel Smart Response Technology   |
| Storage                                   | Up to three 3.5" SATA (SATA 6.0Gb/s, 7200rpm)/2.5" SATA (SATA 6.0Gb/s, 10000rpm)/SATA SSD (SATA 6.0Gb/s) drives; up to one mSATA SSD drive (SATA 6.0Gb/s)  |
| Optical                                   | Supports DVD-ROM, DVD±RW, or Blu-ray Burner, 1.6" high, SATA interface   |
| Media reader (opt)                        | Optional 29-in-1 media card reader on selected models  |
| Front ports                               | Two USB 3.0 (blue), microphone (3.5mm), headphone (3.5mm)  |
| Rear ports                                | One VGA and two DisplayPort for models with Intel HD Graphics, two USB 2.0, four USB 3.0 (blue), one serial (9-pin), one ethernet (RJ-45), three analog audio ports (line-in, line-out, mic-in)  |
| IEEE 1394 adptr (opt)                     | Optional FireWire PCIe adapter on selected models, 1394a-2000, 400Mbps, two 6-pin ports on rear  |
| Audio                                     | High Definition (HD) Audio, Realtek® ALC662 codec  |
| Speaker                                   | Internal speaker for business audio  |
| Onboard Ethernet                          | One onboard gigabit ethernet, Intel I217LM   |
| Security                                  | <ul style="list-style-type: none"> <li>Security chip: STMicro ST33ZP24AR28PVSP, TCG 1.2-compliant</li> <li>Security slot (in rear for optional Kensington Microsaver cable; prohibits side cover removal)</li> <li>Power-on/Administrator password</li> <li>Boot sequence control</li> <li>Boot without keyboard, mouse</li> <li>Serial port I/O control</li> <li>USB port disablement (front or all/individual)</li> <li>Chassis intrusion switch available on selected models</li> </ul> |
| Keyboard/Mouse                            | 104-key keyboard (USB)/Optical Wheel Mouse (USB)   |
| Power supply                              | 280 watts with variable speed fan, autosensing, 85% PSU, Climate Savers® Computing Bronze, 80 PLUS® Bronze qualified   |
| Environmental certifications              | GREENGUARD® certified/RoHS-compliant/EPEAT™ Gold rating/ENERGY STAR 5.2 qualified  |
| ISV certifications                        | For the latest list of certifications, please visit <a href="http://www.lenovo.com/support/ISV">www.lenovo.com/support/ISV</a>   |
| Limited warranty <sup>1</sup>             | 3-year parts and labor   |



- Drives Bays**
- Bay 1 Standard, 5.25", 1.6" high, external, for optical
  - Bay 2 Standard, 5.25", 1.6" high, external, for optical or: optional, 3.5", 1" high, 3rd hard drive bay
  - Bay 3 Optional, 3.5", 1" high, supports one of the following: (1) for optional media card reader, external (2) for optional mSATA drive, internal
  - Bay 4 Standard, 3.5", 1" high, internal, primary hard drive bay
  - Bay 5 Standard, 3.5", 1" high, internal, 2nd hard drive bay

**Notes:**  
Standard optical and hard drive bays are included in models; optional hard drive bays are available on models with the corresponding hard drives only

- Expansion Slots**
- 1: half-length, full-height, PCIe 3.0 x16 (75w max, near CPU)
  - 2: half-length, full-height, PCIe 2.0 x1
  - 3: half-length, full-height, PCIe 2.0 x16 (x4 elec, 75W max)
  - 4: half-length, full-height, PCI 2.3

- Mechanical**
- Raven black color; metal case
  - 6.9"W x 17.0"D x 16.7"H (with handle)
  - 175mm W x 431mm D x 425mm H
  - 27.56 lb (12.5kg) max configuration
  - 25-liter
  - Removable handle on top front
  - Toolless side cover removal
  - Toolless disk and optical drive removal (standard bays)
  - Toolless adapter retention
  - Illuminated front icons
  - Recessed power button

| Type-model <sup>1</sup> | Processor                            | Memory (MHz/type) | Memory DIMMs | Intel HD Graphics | Discrete graphics adapters <sup>**</sup>    | Pre-conf RAID | Storage           | Optical | 29-in-1 Media reader | 1394 adptr | Chassis intrusion switch | Preloaded OS                     |
|-------------------------|--------------------------------------|-------------------|--------------|-------------------|---|---------------|-------------------|---------|----------------------|------------|--------------------------|----------------------------------|
| 30A0002QUS              | Core i3-4330 (2C/3.5GHz/4MB/1600MHz) | 1600MHz Non-ECC   | 4GBx1        | Intel HD 4600     | 1xQuadro K600 (1GB, 1xDVI-I DL, 1xDP, 41W)  | No            | 1x500GB 3.5" SATA | DVD±RW  | Media                | No         | Switch                   | Win7 Pro64 (Downgrade from Win8) |
| 30A0002RUS              | Core i3-4330 (2C/3.5GHz/4MB/1600MHz) | 1600MHz Non-ECC   | 4GBx1        | Intel HD 4600     |   | No            | 1x500GB 3.5" SATA | DVD±RW  | Media                | No         | Switch                   | Win7 Pro64 (Downgrade from Win8) |
| 30A0002SUS              | Core i3-4330 (2C/3.5GHz/4MB/1600MHz) | 1600MHz Non-ECC   | 4GBx1        | Intel HD 4600     | 1xQuadro 410 (512MB, 1xDVI-I DL, 1xDP, 37W) | No            | 1x500GB 3.5" SATA | DVD±RW  | Media                | No         | Switch                   | Win7 Pro64 (Downgrade from Win8) |
| 30A00036US              | Core i3-4330 (2C/3.5GHz/4MB/1600MHz) | 1600MHz Non-ECC   | 4GBx1        | Intel HD 4600     | 1xQuadro K600 (1GB, 1xDVI-I DL, 1xDP, 41W)  | No            | 1x500GB 3.5" SATA | DVD±RW  | Media                | No         | Switch                   | Win8 Pro64                       |
| 30A00037US              | Core i3-4330 (2C/3.5GHz/4MB/1600MHz) | 1600MHz Non-ECC   | 4GBx1        | Intel HD 4600     |   | No            | 1x500GB 3.5" SATA | DVD±RW  | Media                | No         | Switch                   | Win8 Pro64                       |
| 30A00038US              | Core i3-4330 (2C/3.5GHz/4MB/1600MHz) | 1600MHz Non-ECC   | 4GBx1        | Intel HD 4600     | 1xQuadro 410 (512MB, 1xDVI-I DL, 1xDP, 37W) | No            | 1x500GB 3.5" SATA | DVD±RW  | Media                | No         | Switch                   | Win8 Pro64                       |

<sup>1</sup> Model in italics shows that this is a Global Model      <sup>\*\*</sup> DL = Dual Link, SL = Single Link

• For detailed ThinkStation E32 Tower platform specifications, please see [ThinkStation E32 Platform Specifications sheet](#)

|   |  |
|---|--|
| Chipset                                   | <b>Intel C226 Chipset</b>  |
| Intel AMT                                 | Intel Active Management Technology 9 supported on models with Intel Xeon processors  |
| Processor                                 | One <b>LGA1150</b> socket, integrated 2-channel DDR3 memory controller, optional integrated Intel HD Graphics on selected processors   |
| Memory                                    | 1600MHz UDIMM, DDR3, ECC or non-ECC, 2-channel capable   |
| Memory DIMM sockets                       | Four 240-pin DIMM sockets, up to 32GB ECC/non-ECC (8GBx4)  |
| Additional memory disclaimers             | <ul style="list-style-type: none"> <li>Actual memory operating speed depends on processor memory controller speed, installed memory speed, and quantity of memory DIMMs</li> <li>Mixing of ECC and non-ECC is not supported</li> <li>Intel Core i5/i7 processors support non-ECC memory only</li> </ul>  |
| Intel HD Graphics in processor (optional) | Integrated Intel HD Graphics on selected processors, uses main memory, works along with discrete graphics to support multi-display, enables three display connectors (2 DisplayPort, 1 VGA) on rear ports (detailed information please see <b>Rear ports</b> section)  |
| Discrete graphics adapters                | Two PCI Express x16 slots for discrete graphics adapters: <ul style="list-style-type: none"> <li>One PCI Express 3.0 x16 slot (75W max, near CPU)</li> <li>One PCI Express 2.0 x16 slot (x4 electrical, 75W max)</li> </ul>  |
| Onboard drive controllers                 | Four SATA connectors via onboard drive controller in chipset, SATA 6.0Gb/s, RAID 0, 1, 5 support, supports Intel Smart Response Technology   |
| Storage                                   | Up to three 3.5" SATA (SATA 6.0Gb/s, 7200rpm)/2.5" SATA (SATA 6.0Gb/s, 10000rpm)/SATA SSD (SATA 6.0Gb/s) drives; up to one mSATA SSD drive (SATA 6.0Gb/s)  |
| Optical                                   | Supports DVD-ROM, DVD±RW, or Blu-ray Burner, 1.6" high, SATA interface   |
| Media reader (opt)                        | Optional 29-in-1 media card reader on selected models  |
| Front ports                               | Two USB 3.0 (blue), microphone (3.5mm), headphone (3.5mm)  |
| Rear ports                                | One VGA and two DisplayPort for models with Intel HD Graphics, two USB 2.0, four USB 3.0 (blue), one serial (9-pin), one ethernet (RJ-45), three analog audio ports (line-in, line-out, mic-in)  |
| IEEE 1394 adptr (opt)                     | Optional FireWire PCIe adapter on selected models, 1394a-2000, 400Mbps, two 6-pin ports on rear  |
| Audio                                     | High Definition (HD) Audio, Realtek® ALC662 codec  |
| Speaker                                   | Internal speaker for business audio  |
| Onboard Ethernet                          | One onboard gigabit ethernet, Intel I217LM   |
| Security                                  | <ul style="list-style-type: none"> <li>Security chip: STMicro ST33ZP24AR28PVSP, TCG 1.2-compliant</li> <li>Security slot (in rear for optional Kensington Microsaver cable; prohibits side cover removal)</li> <li>Power-on/Administrator password</li> <li>Boot sequence control</li> <li>Boot without keyboard, mouse</li> <li>Serial port I/O control</li> <li>USB port disablement (front or all/individual)</li> <li>Chassis intrusion switch available on selected models</li> </ul> |
| Keyboard/Mouse                            | 104-key keyboard (USB)/Optical Wheel Mouse (USB)   |
| Power supply                              | 280 watts with variable speed fan, autosensing, 85% PSU, Climate Savers® Computing Bronze, 80 PLUS® Bronze qualified   |
| Environmental certifications              | GREENGUARD® certified/RoHS-compliant/EPEAT™ Gold rating/ENERGY STAR 5.2 qualified  |
| ISV certifications                        | For the latest list of certifications, please visit <a href="http://www.lenovo.com/support/ISV">www.lenovo.com/support/ISV</a>   |
| Limited warranty <sup>1</sup>             | 3-year parts and labor   |

### Drives Bays

Bay 1 Standard, 5.25", 1.6" high, external, for optical  
 Bay 2 Standard, 5.25", 1.6" high, external, for optical or: optional, 3.5", 1" high, 3rd hard drive bay  
 Bay 3 Optional, 3.5", 1" high, supports one of the following:  
 (1) for optional media card reader, external  
 (2) for optional mSATA drive, internal  
 Bay 4 Standard, 3.5", 1" high, internal, primary hard drive bay  
 Bay 5 Standard, 3.5", 1" high, internal, 2nd hard drive bay

**Notes:**  
 Standard optical and hard drive bays are included in models; optional hard drive bays are available on models with the corresponding hard drives only

### Expansion Slots

1: half-length, full-height, PCIe 3.0 x16 (75w max, near CPU)  
 2: half-length, full-height, PCIe 2.0 x1  
 3: half-length, full-height, PCIe 2.0 x16 (x4 elec, 75W max)  
 4: half-length, full-height, PCI 2.3

### Mechanical

- Raven black color; metal case
- 6.9"W x 17.0"D x 16.7"H (with handle)
- 175mm W x 431mm D x 425mm H
- 27.56 lb (12.5kg) max configuration
- 25-liter
- Removable handle on top front
- Toolless side cover removal
- Toolless disk and optical drive removal (standard bays)
- Toolless adapter retention
- Illuminated front icons
- Recessed power button



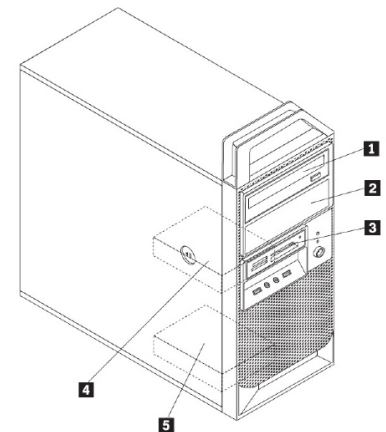
| Type-model <sup>1</sup> | Processor                                  | Memory (MHz/type) | Memory DIMMs | Intel HD Graphics | Discrete graphics adapters <sup>2</sup>     | Pre-conf RAID | Storage           | Optical | 29-in-1 Media reader | Chassis intrusion switch | Preloaded OS                     | Base warranty (-year) <sup>3</sup> | Ann date (mm/dd/yy) |
|-------------------------|--|-------------------|--------------|-------------------|---|---------------|-------------------|---------|----------------------|--------------------------|----------------------------------|------------------------------------|---------------------|
| 30A0005RSS              | Core i5-4570<br>4C/3.2 GHz/6 MB/1600MHz    | 1600MHz Non-ECC   | 8GBx1        | Intel HD 4600     | 1xQuadro K600<br>1GB, 1xDVI-I DL, 1xDP, 41W | No            | 1x500GB 3.5" SATA | DVD±RW  | Media                | Switch                   | Win7 Pro64 (Downgrade from Win8) | 3(IWS)                             | 10/15/13            |
| 30A0005QSS              | Xeon E3-1245 v3<br>4C/3.4 GHz/8 MB/1600MHz | 1600MHz ECC       | 4GBx1        | Intel HD P4600    | 1xQuadro K600<br>1GB, 1xDVI-I DL, 1xDP, 41W | No            | 1x500GB 3.5" SATA | DVD±RW  | Media                | Switch                   | Win7 Pro64 (Downgrade from Win8) | 3(IWS)                             | 10/8/13             |
| 30A0005QUS              | Xeon E3-1245 v3<br>4C/3.4 GHz/8 MB/1600MHz | 1600MHz ECC       | 4GBx1        | Intel HD P4600    | 1xQuadro K600<br>1GB, 1xDVI-I DL, 1xDP, 41W | No            | 1x500GB 3.5" SATA | DVD±RW  | Media                | Switch                   | Win7 Pro64 (Downgrade from Win8) | 3(IWS)                             | 10/8/13             |
| 30A0005SUS              | Core i7-4770<br>4C/3.4 GHz/8 MB/1600MHz    | 1600MHz Non-ECC   | 4GBx1        | Intel HD 4600     | 1xQuadro K600<br>1GB, 1xDVI-I DL, 1xDP, 41W | No            | 1x500GB 3.5" SATA | DVD±RW  | Media                | Switch                   | Win7 Pro64 (Downgrade from Win8) | 3(IWS)                             | 10/8/13             |
| 30A0005RUS              | Core i5-4570<br>4C/3.2 GHz/6 MB/1600MHz    | 1600MHz Non-ECC   | 8GBx1        | Intel HD 4600     | 1xQuadro K600<br>1GB, 1xDVI-I DL, 1xDP, 41W | No            | 1x500GB 3.5" SATA | DVD±RW  | Media                | Switch                   | Win7 Pro64 (Downgrade from Win8) | 3(IWS)                             | 10/15/13            |
| 30A0005SSS              | Core i7-4770<br>4C/3.4 GHz/8 MB/1600MHz    | 1600MHz Non-ECC   | 4GBx1        | Intel HD 4600     | 1xQuadro K600<br>1GB, 1xDVI-I DL, 1xDP, 41W | No            | 1x500GB 3.5" SATA | DVD±RW  | Media                | Switch                   | Win7 Pro64 (Downgrade from Win8) | 3(IWS)                             | 10/8/13             |

<sup>1</sup>Model in italics shows that this is a Global Model    <sup>2</sup>DL = Dual Link, SL = Single Link    <sup>3</sup>IWS= International Warranty Service<sup>®</sup>

• For detailed ThinkStation E32 Tower platform specifications, please see [ThinkStation E32 Platform Specifications sheet](#)

|   |  |
|---|--|
| Chipset                                   | <b>Intel C226 Chipset</b>  |
| Intel AMT                                 | Intel Active Management Technology 9 supported on models with Intel Xeon processors  |
| Processor                                 | One <b>LGA1150</b> socket, integrated 2-channel DDR3 memory controller, optional integrated Intel HD Graphics on selected processors   |
| Memory                                    | 1600MHz UDIMM, DDR3, ECC or non-ECC, 2-channel capable   |
| Memory DIMM sockets                       | Four 240-pin DIMM sockets, up to 32GB ECC/non-ECC (8GBx4)  |
| Additional memory disclaimers             | <ul style="list-style-type: none"> <li>Actual memory operating speed depends on processor memory controller speed, installed memory speed, and quantity of memory DIMMs</li> <li>Mixing of ECC and non-ECC is not supported</li> <li>Intel Core i5/i7 processors support non-ECC memory only</li> </ul>  |
| Intel HD Graphics in processor (optional) | Integrated Intel HD Graphics on selected processors, uses main memory, works along with discrete graphics to support multi-display, enables three display connectors (2 DisplayPort, 1 VGA) on rear ports (detailed information please see <b>Rear ports</b> section)  |
| Discrete graphics adapters                | Two PCI Express x16 slots for discrete graphics adapters: <ul style="list-style-type: none"> <li>One PCI Express 3.0 x16 slot (75W max, near CPU)</li> <li>One PCI Express 2.0 x16 slot (x4 electrical, 75W max)</li> </ul>  |
| Onboard drive controllers                 | Four SATA connectors via onboard drive controller in chipset, SATA 6.0Gb/s, RAID 0, 1, 5 support, supports Intel Smart Response Technology   |
| Storage                                   | Up to three 3.5" SATA (SATA 6.0Gb/s, 7200rpm)/2.5" SATA (SATA 6.0Gb/s, 10000rpm)/SATA SSD (SATA 6.0Gb/s) drives; up to one mSATA SSD drive (SATA 6.0Gb/s)  |
| Optical                                   | Supports DVD-ROM, DVD±RW, or Blu-ray Burner, 1.6" high, SATA interface   |
| Media reader (opt)                        | Optional 29-in-1 media card reader on selected models  |
| Front ports                               | Two USB 3.0 (blue), microphone (3.5mm), headphone (3.5mm)  |
| Rear ports                                | One VGA and two DisplayPort for models with Intel HD Graphics, two USB 2.0, four USB 3.0 (blue), one serial (9-pin), one ethernet (RJ-45), three analog audio ports (line-in, line-out, mic-in)  |
| IEEE 1394 adptr (opt)                     | Optional FireWire PCIe adapter on selected models, 1394a-2000, 400Mbps, two 6-pin ports on rear  |
| Audio                                     | High Definition (HD) Audio, Realtek® ALC662 codec  |
| Speaker                                   | Internal speaker for business audio  |
| Onboard Ethernet                          | One onboard gigabit ethernet, Intel I217LM   |
| Security                                  | <ul style="list-style-type: none"> <li>Security chip: STMicro ST33ZP24AR28PVSP, TCG 1.2-compliant</li> <li>Security slot (in rear for optional Kensington Microsaver cable; prohibits side cover removal)</li> <li>Power-on/Administrator password</li> <li>Boot sequence control</li> <li>Boot without keyboard, mouse</li> <li>Serial port I/O control</li> <li>USB port disablement (front or all/individual)</li> <li>Chassis intrusion switch available on selected models</li> </ul> |
| Keyboard/Mouse                            | 104-key keyboard (USB)/Optical Wheel Mouse (USB)   |
| Power supply                              | 280 watts with variable speed fan, autosensing, 85% PSU, Climate Savers® Computing Bronze, 80 PLUS® Bronze qualified   |
| Environmental certifications              | GREENGUARD® certified/RoHS-compliant/EPEAT™ Gold rating/ENERGY STAR 5.2 qualified  |
| ISV certifications                        | For the latest list of certifications, please visit <a href="http://www.lenovo.com/support/ISV">www.lenovo.com/support/ISV</a>   |
| Limited warranty <sup>1</sup>             | 3-year parts and labor   |

**Drives Bays**



- Bay 1 Standard, 5.25", 1.6" high, external, for optical
- Bay 2 Standard, 5.25", 1.6" high, external, for optical or: optional, 3.5", 1" high, 3rd hard drive bay
- Bay 3 Optional, 3.5", 1" high, supports one of the following: (1) for optional media card reader, external (2) for optional mSATA drive, internal
- Bay 4 Standard, 3.5", 1" high, internal, primary hard drive bay
- Bay 5 Standard, 3.5", 1" high, internal, 2nd hard drive bay

**Notes:**

Standard optical and hard drive bays are included in models; optional hard drive bays are available on models with the corresponding hard drives only

**Expansion Slots**

- 1: half-length, full-height, PCIe 3.0 x16 (75w max, near CPU)
- 2: half-length, full-height, PCIe 2.0 x1
- 3: half-length, full-height, PCIe 2.0 x16 (x4 elec, 75W max)
- 4: half-length, full-height, PCI 2.3

**Mechanical**

- Raven black color; metal case
- 6.9"W x 17.0"D x 16.7"H (with handle)
- 175mm W x 431mm D x 425mm H
- 27.56 lb (12.5kg) max configuration
- 25-liter
- Removable handle on top front
- Toolless side cover removal
- Toolless disk and optical drive removal (standard bays)
- Toolless adapter retention
- Illuminated front icons
- Recessed power button

See footnotes for important warranty information  
Model(s) announced October 8 or 15, 2013

# ThinkStation E32 SFF (30A3) - TopSeller (August 2013)

Product Specifications Reference (PSREF)

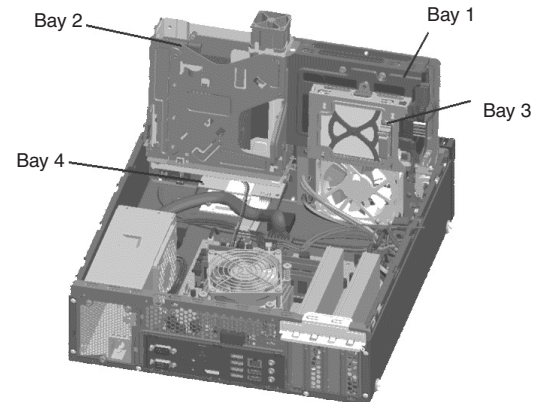
| Type-model <sup>1</sup> | Processor                               | Memory (MHz/type) | Memory DIMMs | Intel HD Graphics | Discrete graphics adapters**                | Pre-conf RAID | Storage           | Optical | 29-in-1 Media reader | 1394 adptr | Chassis intrusion switch | Preloaded OS                     |
|-------------------------|---|-------------------|--------------|-------------------|---|---------------|-------------------|---------|----------------------|------------|--------------------------|----------------------------------|
| 30A30004US              | Xeon E3-1230 v3 (4C/3.3GHz/8MB/1600MHz) | 1600MHz ECC       | 4GBx1        |                   | 1xQuadro 410 (512MB, 1xDVI-I DL, 1xDP, 37W) | No            | 1x500GB 3.5" SATA | DVD±RW  | Media                | No         | Switch                   | Win7 Pro64 (Downgrade from Win8) |
| 30A30005US              | Xeon E3-1240 v3 (4C/3.4GHz/8MB/1600MHz) | 1600MHz ECC       | 4GBx2        |                   | 1xQuadro K600 (1GB, 1xDVI-I DL, 1xDP, 41W)  | No            | 1x1TB 3.5" SATA   | DVD±RW  | Media                | No         | Switch                   | Win7 Pro64 (Downgrade from Win8) |
| 30A30006US              | Core i5-4570 (4C/3.2GHz/6MB/1600MHz)    | 1600MHz Non-ECC   | 4GBx1        | Intel HD 4600     |   | No            | 1x1TB 3.5" SATA   | DVD±RW  | Media                | No         | Switch                   | Win7 Pro64 (Downgrade from Win8) |
| 30A3001FUS              | Core i5-4570 (4C/3.2GHz/6MB/1600MHz)    | 1600MHz Non-ECC   | 4GBx1        | Intel HD 4600     |   | No            | 1x500GB 3.5" SATA | DVD±RW  | Media                | No         | Switch                   | Win7 Pro64 (Downgrade from Win8) |
| 30A3001LUS              | Xeon E3-1225 v3 (4C/3.2GHz/8MB/1600MHz) | 1600MHz Non-ECC   | 4GBx1        | Intel HD P4600    |   | No            | 1x500GB 3.5" SATA | DVD±RW  | Media                | No         | Switch                   | Win7 Pro64 (Downgrade from Win8) |
| 30A3001RUS              | Core i5-4670 (4C/3.4GHz/6MB/1600MHz)    | 1600MHz Non-ECC   | 4GBx1        | Intel HD 4600     | 1xQuadro K600 (1GB, 1xDVI-I DL, 1xDP, 41W)  | No            | 1x1TB 3.5" SATA   | DVD±RW  | Media                | No         | Switch                   | Win7 Pro64 (Downgrade from Win8) |
| 30A3001SUS              | Core i5-4670 (4C/3.4GHz/6MB/1600MHz)    | 1600MHz Non-ECC   | 8GBx1        | Intel HD 4600     |   | No            | 1x1TB 3.5" SATA   | DVD±RW  | Media                | No         | Switch                   | Win7 Pro64 (Downgrade from Win8) |

<sup>1</sup> Model in italics shows that this is a Global Model    \*\* DL = Dual Link, SL = Single Link

• For detailed ThinkStation E32 SFF platform specifications, please see [ThinkStation E32 Platform Specifications sheet](#)

|   |  |
|---|--|
| Chipset                                   | <b>Intel C226 Chipset</b>  |
| Intel AMT                                 | Intel Active Management Technology 9 supported on models with Intel Xeon processors  |
| Processor                                 | One <b>LGA1150</b> socket, integrated 2-channel DDR3 memory controller, optional integrated Intel HD Graphics on selected processors   |
| Memory                                    | 1600MHz UDIMM, DDR3, ECC or non-ECC, 2-channel capable   |
| Memory DIMM sockets                       | Four 240-pin DIMM sockets, up to 32GB ECC/non-ECC (8GBx4)  |
| Additional memory disclaimers             | <ul style="list-style-type: none"> <li>Actual memory operating speed depends on processor memory controller speed, installed memory speed, and quantity of memory DIMMs</li> <li>Mixing of ECC and non-ECC is not supported</li> <li>Intel Core i5/i7 processors support non-ECC memory only</li> </ul>  |
| Intel HD Graphics in processor (optional) | Integrated Intel HD Graphics on selected processors, uses main memory, works along with discrete graphics to support multi-display, enables three display connectors (2 DisplayPort, 1 VGA) on rear ports (detailed information please see <b>Rear ports</b> section)  |
| Discrete graphics adapters                | Two PCI Express x16 slots for discrete graphics adapters: <ul style="list-style-type: none"> <li>One PCI Express 3.0 x16 slot (40W max, near CPU)</li> <li>One PCI Express 2.0 x16 slot (x4 electrical, 40W max)</li> </ul>  |
| Onboard drive controllers                 | Four SATA connectors via onboard drive controller in chipset, SATA 6.0Gb/s, RAID 0, 1 support, supports Intel Smart Response Technology  |
| Storage                                   | Up to two 3.5" SATA (SATA 6.0Gb/s, 7200rpm) drives, or up to three 2.5" SATA (SATA 6.0Gb/s, 10000rpm)/SATA SSD (SATA 6.0Gb/s) drives; up to one mSATA SSD drive (SATA 6.0Gb/s)   |
| Optical                                   | Supports DVD-ROM, DVD±RW, or Blu-ray Burner, 1.6" high or slim, SATA interface   |
| Media reader (opt)                        | Optional 29-in-1 media card reader on selected models  |
| Front ports                               | Two USB 3.0 (blue), microphone (3.5mm), headphone (3.5mm)  |
| Rear ports                                | One VGA and two DisplayPort for models with Intel HD Graphics, two USB 2.0, four USB 3.0 (blue), one serial (9-pin), one Ethernet (RJ-45), three analog audio ports (line-in, line-out, mic-in)  |
| IEEE 1394 adptr (opt)                     | Optional Low Profile FireWire PCIe adapter on selected models, 1394a-2000, 400Mbps, two 6-pin ports on rear  |
| Audio                                     | High Definition (HD) Audio, Realtek® ALC662 codec  |
| Speaker                                   | Internal speaker for business audio  |
| Onboard Ethernet                          | One onboard gigabit ethernet, Intel I217LM   |
| Security                                  | <ul style="list-style-type: none"> <li>Security chip: STMicro ST33ZP24AR28PVSP, TCG 1.2-compliant</li> <li>Security slot (in rear for optional Kensington Microsaver cable; prohibits side cover removal)</li> <li>Power-on/Administrator password</li> <li>Boot sequence control</li> <li>Boot without keyboard, mouse</li> <li>Serial port I/O control</li> <li>USB port disablement (front or all/individual)</li> <li>Chassis intrusion switch available on selected models</li> </ul> |
| Keyboard/Mouse                            | 104-key keyboard (USB)/Optical Wheel Mouse (USB)   |
| Power supply                              | 240 watts with variable speed fan, autosensing, 85% PSU, Climate Savers Computing Bronze, 80 PLUS Bronze qualified   |
| Environmental certifications              | GREENGUARD® certified/RoHS-compliant/EPEAT™ Gold rating/ENERGY STAR 5.2 qualified  |
| ISV certifications                        | For the latest list of certifications, please visit <a href="http://www.lenovo.com/support/ISV">www.lenovo.com/support/ISV</a>   |
| Limited warranty <sup>1</sup>             | 3-year parts and labor   |

### Drives Bays\*



\* Image above is for reference only. Model in this image contains optional slim optical + 3.5" 2nd hard drive bay with supplemental fan (Bay 2) and optional 2.5" 3rd hard drive bay (Bay 3)

- Bay 1 Standard, 3.5", 1" high, internal, primary hard drive bay
- Bay 2 Standard, 5.25", 1.6" high, external, for optical, also supports one of the following:
  - (1) 5.25" slim optical (access) and 3.5" 2nd hard drive bay (internal), optional
  - (2) 3.5" 2nd hard drive bay (internal), optional
- Bay 3 Optional, 2.5", 0.6" high, internal, 3rd hard drive bay
- Bay 4 Optional, 3.5", 0.5" high, supports one of the following:
  - (1) for optional slim media card reader, external
  - (2) for optional mSATA drive, internal
(Bay 4 is not available on slim optical models)

#### Notes:

Standard optical and hard drive bays are included in models; optional optical and hard drive bays are available on models with the corresponding drives only

### Expansion Slots

- 1: Low Profile, PCIe 3.0 x16 (40w max, near CPU)
- 2: Low Profile, PCIe 2.0 x1
- 3: Low Profile, PCIe 2.0 x16 (x4 elec, 40W max)
- 4: Low Profile, PCI 2.3

### Mechanical

- Raven black color; metal case
- 13.35"W x 15.0"D x 3.93"H
- 338mm W x 375mm D x 102mm H
- 17.20 lb (7.8kg) max configuration
- 12.9-liter
- Toolless top cover removal
- Toolless disk and optical drive removal
- Toolless adapter retention
- Illuminated front icons
- Recessed power button

See footnotes for important warranty information  
Model(s) announced August 20, 2013

© Lenovo  
(30A3-1) August 2013

| Type-model <sup>1</sup> | Processor                               | Memory (MHz/type) | Memory DIMMs | Intel HD Graphics | Discrete graphics adapters**               | Pre-conf RAID | Storage           | Optical | 29-in-1 Media reader | 1394 adptr | Chassis intrusion switch | Preloaded OS                     |
|-------------------------|---|-------------------|--------------|-------------------|--|---------------|-------------------|---------|----------------------|------------|--------------------------|----------------------------------|
| 30A3001TUS              | Core i7-4770 (4C/3.4GHz/8MB/1600MHz)    | 1600MHz Non-ECC   | 8GBx1        | Intel HD 4600     |  | No            | 1x500GB 3.5" SATA | DVD±RW  | Media                | No         | Switch                   | Win7 Pro64 (Downgrade from Win8) |
| 30A3001UUS              | Core i7-4770 (4C/3.4GHz/8MB/1600MHz)    | 1600MHz Non-ECC   | 8GBx1        | Intel HD 4600     | 1xQuadro K600 (1GB, 1xDVI-I DL, 1xDP, 41W) | No            | 1x1TB 3.5" SATA   | DVD±RW  | Media                | No         | Switch                   | Win7 Pro64 (Downgrade from Win8) |
| 30A3001VUS              | Xeon E3-1225 v3 (4C/3.2GHz/8MB/1600MHz) | 1600MHz Non-ECC   | 4GBx1        | Intel HD P4600    | 1xNVS 310 (512MB, 2xDisplayPort, 19.5W)    | No            | 1x500GB 3.5" SATA | DVD±RW  | Media                | No         | Switch                   | Win7 Pro64 (Downgrade from Win8) |
| 30A3001WUS              | Xeon E3-1240 v3 (4C/3.4GHz/8MB/1600MHz) | 1600MHz Non-ECC   | 8GBx1        |                   | 1xQuadro K600 (1GB, 1xDVI-I DL, 1xDP, 41W) | No            | 1x1TB 3.5" SATA   | DVD±RW  | Media                | No         | Switch                   | Win7 Pro64 (Downgrade from Win8) |
| 30A3001XUS              | Core i7-4770 (4C/3.4GHz/8MB/1600MHz)    | 1600MHz Non-ECC   | 8GBx1        | Intel HD 4600     | 1xQuadro K600 (1GB, 1xDVI-I DL, 1xDP, 41W) | No            | 1x180GB SATA SSD  | DVD±RW  | Media                | No         | Switch                   | Win7 Pro64 (Downgrade from Win8) |
| 30A3001YUS              | Xeon E3-1280 v3 (4C/3.6GHz/8MB/1600MHz) | 1600MHz Non-ECC   | 8GBx1        |                   | 1xQuadro K600 (1GB, 1xDVI-I DL, 1xDP, 41W) | No            | 1x1TB 3.5" SATA   | DVD±RW  | Media                | No         | Switch                   | Win7 Pro64 (Downgrade from Win8) |
| 30A30020US              | Xeon E3-1245 v3 (4C/3.4GHz/8MB/1600MHz) | 1600MHz Non-ECC   | 8GBx1        | Intel HD P4600    | 1xQuadro K600 (1GB, 1xDVI-I DL, 1xDP, 41W) | No            | 1x180GB SATA SSD  | DVD±RW  | Media                | No         | Switch                   | Win7 Pro64 (Downgrade from Win8) |

<sup>1</sup> Model in italics shows that this is a Global Model    <sup>2</sup> DL = Dual Link, SL = Single Link

• For detailed ThinkStation E32 SFF platform specifications, please see [ThinkStation E32 Platform Specifications sheet](#)

|   |  |
|---|--|
| Chipset                                   | Intel C226 Chipset   |
| Intel AMT                                 | Intel Active Management Technology 9 supported on models with Intel Xeon processors  |
| Processor                                 | One LGA1150 socket, integrated 2-channel DDR3 memory controller, optional integrated Intel HD Graphics on selected processors  |
| Memory                                    | 1600MHz UDIMM, DDR3, ECC or non-ECC, 2-channel capable   |
| Memory DIMM sockets                       | Four 240-pin DIMM sockets, up to 32GB ECC/non-ECC (8GBx4)  |
| Additional memory disclaimers             | <ul style="list-style-type: none"> <li>Actual memory operating speed depends on processor memory controller speed, installed memory speed, and quantity of memory DIMMs</li> <li>Mixing of ECC and non-ECC is not supported</li> <li>Intel Core i5/i7 processors support non-ECC memory only</li> </ul>  |
| Intel HD Graphics in processor (optional) | Integrated Intel HD Graphics on selected processors, uses main memory, works along with discrete graphics to support multi-display, enables three display connectors (2 DisplayPort, 1 VGA) on rear ports (detailed information please see <b>Rear ports</b> section)  |
| Discrete graphics adapters                | Two PCI Express x16 slots for discrete graphics adapters: <ul style="list-style-type: none"> <li>One PCI Express 3.0 x16 slot (40W max, near CPU)</li> <li>One PCI Express 2.0 x16 slot (x4 electrical, 40W max)</li> </ul>  |
| Onboard drive controllers                 | Four SATA connectors via onboard drive controller in chipset, SATA 6.0Gb/s, RAID 0, 1 support, supports Intel Smart Response Technology  |
| Storage                                   | Up to two 3.5" SATA (SATA 6.0Gb/s, 7200rpm) drives, or up to three 2.5" SATA (SATA 6.0Gb/s, 10000rpm)/SATA SSD (SATA 6.0Gb/s) drives; up to one mSATA SSD drive (SATA 6.0Gb/s)   |
| Optical                                   | Supports DVD-ROM, DVD±RW, or Blu-ray Burner, 1.6" high or slim, SATA interface   |
| Media reader (opt)                        | Optional 29-in-1 media card reader on selected models  |
| Front ports                               | Two USB 3.0 (blue), microphone (3.5mm), headphone (3.5mm)  |
| Rear ports                                | One VGA and two DisplayPort for models with Intel HD Graphics, two USB 2.0, four USB 3.0 (blue), one serial (9-pin), one ethernet (RJ-45), three analog audio ports (line-in, line-out, mic-in)  |
| IEEE 1394 adptr (opt)                     | Optional Low Profile FireWire PCIe adapter on selected models, 1394a-2000, 400Mbps, two 6-pin ports on rear  |
| Audio                                     | High Definition (HD) Audio, Realtek® ALC662 codec  |
| Speaker                                   | Internal speaker for business audio  |
| Onboard Ethernet                          | One onboard gigabit ethernet, Intel I217LM   |
| Security                                  | <ul style="list-style-type: none"> <li>Security chip: STMicro ST33ZP24AR28PVSP, TCG 1.2-compliant</li> <li>Security slot (in rear for optional Kensington Microsaver cable; prohibits side cover removal)</li> <li>Power-on/Administrator password</li> <li>Boot sequence control</li> <li>Boot without keyboard, mouse</li> <li>Serial port I/O control</li> <li>USB port disablement (front or all/individual)</li> <li>Chassis intrusion switch available on selected models</li> </ul> |
| Keyboard/Mouse                            | 104-key keyboard (USB)/Optical Wheel Mouse (USB)   |
| Power supply                              | 240 watts with variable speed fan, autosensing, 85% PSU, Climate Savers Computing Bronze, 80 PLUS Bronze qualified   |
| Environmental certifications              | GREENGUARD® certified/RoHS-compliant/EPEAT™ Gold rating/ENERGY STAR 5.2 qualified  |
| ISV certifications                        | For the latest list of certifications, please visit <a href="http://www.lenovo.com/support/ISV">www.lenovo.com/support/ISV</a>   |
| Limited warranty <sup>1</sup>             | 3-year parts and labor   |

### Drives Bays\*

*\* Image above is for reference only. Model in this image contains optional slim optical + 3.5" 2nd hard drive bay with supplemental fan (Bay 2) and optional 2.5" 3rd hard drive bay (Bay 3)*

Bay 1 Standard, 3.5", 1" high, internal, primary hard drive bay  
 Bay 2 Standard, 5.25", 1.6" high, external, for optical, also supports one of the following:  
 (1) 5.25" slim optical (access) and 3.5" 2nd hard drive bay (internal), optional  
 (2) 3.5" 2nd hard drive bay (internal), optional  
 Bay 3 Optional, 2.5", 0.6" high, internal, 3rd hard drive bay  
 Bay 4 Optional, 3.5", 0.5" high, supports one of the following:  
 (1) for optional slim media card reader, external  
 (2) for optional mSATA drive, internal  
 (Bay 4 is not available on slim optical models)

**Notes:**  
 Standard optical and hard drive bays are included in models; optional optical and hard drive bays are available on models with the corresponding drives only

### Expansion Slots

- Low Profile, PCIe 3.0 x16 (40w max, near CPU)
- Low Profile, PCIe 2.0 x1
- Low Profile, PCIe 2.0 x16 (x4 elec, 40W max)
- Low Profile, PCI 2.3

### Mechanical

- Raven black color; metal case
- 13.35"W x 15.0"D x 3.93"H
- 338mm W x 375mm D x 102mm H
- 17.20 lb (7.8kg) max configuration
- 12.9-liter
- Toolless top cover removal
- Toolless disk and optical drive removal
- Toolless adapter retention
- Illuminated front icons
- Recessed power button

See footnotes for important warranty information  
 Model(s) announced August 20, 2013

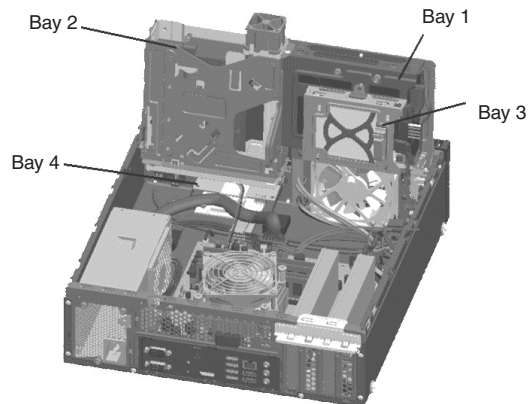
| Type-model <sup>1</sup> | Processor                               | Memory (MHz/type) | Memory DIMMs | Intel HD Graphics | Discrete graphics adapters <sup>**</sup>   | Pre-conf RAID | Storage           | Optical | 29-in-1 Media reader | 1394 adptr | Chassis intrusion switch | Preloaded OS |
|-------------------------|---|-------------------|--------------|-------------------|--|---------------|-------------------|---------|----------------------|------------|--------------------------|--------------|
| 30A30025US              | Core i5-4570 (4C/3.2GHz/6MB/1600MHz)    | 1600MHz Non-ECC   | 4GBx1        | Intel HD 4600     |  | No            | 1x500GB 3.5" SATA | DVD±RW  | Media                | No         | Switch                   | Win8 Pro64   |
| 30A30026US              | Core i5-4670 (4C/3.4GHz/6MB/1600MHz)    | 1600MHz Non-ECC   | 4GBx1        | Intel HD 4600     | 1xQuadro K600 (1GB, 1xDVI-I DL, 1xDP, 41W) | No            | 1x1TB 3.5" SATA   | DVD±RW  | Media                | No         | Switch                   | Win8 Pro64   |
| 30A30027US              | Core i5-4670 (4C/3.4GHz/6MB/1600MHz)    | 1600MHz Non-ECC   | 8GBx1        | Intel HD 4600     |  | No            | 1x1TB 3.5" SATA   | DVD±RW  | Media                | No         | Switch                   | Win8 Pro64   |
| 30A30028US              | Core i7-4770 (4C/3.4GHz/8MB/1600MHz)    | 1600MHz Non-ECC   | 8GBx1        | Intel HD 4600     |  | No            | 1x500GB 3.5" SATA | DVD±RW  | Media                | No         | Switch                   | Win8 Pro64   |
| 30A30029US              | Core i7-4770 (4C/3.4GHz/8MB/1600MHz)    | 1600MHz Non-ECC   | 8GBx1        | Intel HD 4600     | 1xQuadro K600 (1GB, 1xDVI-I DL, 1xDP, 41W) | No            | 1x1TB 3.5" SATA   | DVD±RW  | Media                | No         | Switch                   | Win8 Pro64   |
| 30A3002AUS              | Xeon E3-1225 v3 (4C/3.2GHz/8MB/1600MHz) | 1600MHz Non-ECC   | 4GBx1        | Intel HD P4600    |  | No            | 1x500GB 3.5" SATA | DVD±RW  | Media                | No         | Switch                   | Win8 Pro64   |
| 30A3002BUS              | Xeon E3-1225 v3 (4C/3.2GHz/8MB/1600MHz) | 1600MHz Non-ECC   | 4GBx1        | Intel HD P4600    | 1xNVS 310 (512MB, 2xDisplayPort,19.5W)     | No            | 1x500GB 3.5" SATA | DVD±RW  | Media                | No         | Switch                   | Win8 Pro64   |

<sup>1</sup> Model in italics shows that this is a Global Model      <sup>\*\*</sup> DL = Dual Link, SL = Single Link

• For detailed ThinkStation E32 SFF platform specifications, please see [ThinkStation E32 Platform Specifications sheet](#)

|   |  |
|---|--|
| Chipset                                   | <b>Intel C226 Chipset</b>  |
| Intel AMT                                 | Intel Active Management Technology 9 supported on models with Intel Xeon processors  |
| Processor                                 | One <b>LGA1150</b> socket, integrated 2-channel DDR3 memory controller, optional integrated Intel HD Graphics on selected processors   |
| Memory                                    | 1600MHz UDIMM, DDR3, ECC or non-ECC, 2-channel capable   |
| Memory DIMM sockets                       | Four 240-pin DIMM sockets, up to 32GB ECC/non-ECC (8GBx4)  |
| Additional memory disclaimers             | <ul style="list-style-type: none"> <li>Actual memory operating speed depends on processor memory controller speed, installed memory speed, and quantity of memory DIMMs</li> <li>Mixing of ECC and non-ECC is not supported</li> <li>Intel Core i5/i7 processors support non-ECC memory only</li> </ul>  |
| Intel HD Graphics in processor (optional) | Integrated Intel HD Graphics on selected processors, uses main memory, works along with discrete graphics to support multi-display, enables three display connectors (2 DisplayPort, 1 VGA) on rear ports (detailed information please see <b>Rear ports</b> section)  |
| Discrete graphics adapters                | Two PCI Express x16 slots for discrete graphics adapters: <ul style="list-style-type: none"> <li>One PCI Express 3.0 x16 slot (40W max, near CPU)</li> <li>One PCI Express 2.0 x16 slot (x4 electrical, 40W max)</li> </ul>  |
| Onboard drive controllers                 | Four SATA connectors via onboard drive controller in chipset, SATA 6.0Gb/s, RAID 0, 1 support, supports Intel Smart Response Technology  |
| Storage                                   | Up to two 3.5" SATA (SATA 6.0Gb/s, 7200rpm) drives, or up to three 2.5" SATA (SATA 6.0Gb/s, 10000rpm)/SATA SSD (SATA 6.0Gb/s) drives; up to one mSATA SSD drive (SATA 6.0Gb/s)   |
| Optical                                   | Supports DVD-ROM, DVD±RW, or Blu-ray Burner, 1.6" high or slim, SATA interface   |
| Media reader (opt)                        | Optional 29-in-1 media card reader on selected models  |
| Front ports                               | Two USB 3.0 (blue), microphone (3.5mm), headphone (3.5mm)  |
| Rear ports                                | One VGA and two DisplayPort for models with Intel HD Graphics, two USB 2.0, four USB 3.0 (blue), one serial (9-pin), one ethernet (RJ-45), three analog audio ports (line-in, line-out, mic-in)  |
| IEEE 1394 adptr (opt)                     | Optional Low Profile FireWire PCIe adapter on selected models, 1394a-2000, 400Mbps, two 6-pin ports on rear  |
| Audio                                     | High Definition (HD) Audio, Realtek® ALC662 codec  |
| Speaker                                   | Internal speaker for business audio  |
| Onboard Ethernet                          | One onboard gigabit ethernet, Intel I217LM   |
| Security                                  | <ul style="list-style-type: none"> <li>Security chip: STMicro ST33ZP24AR28PVSP, TCG 1.2-compliant</li> <li>Security slot (in rear for optional Kensington Microsaver cable; prohibits side cover removal)</li> <li>Power-on/Administrator password</li> <li>Boot sequence control</li> <li>Boot without keyboard, mouse</li> <li>Serial port I/O control</li> <li>USB port disablement (front or all/individual)</li> <li>Chassis intrusion switch available on selected models</li> </ul> |
| Keyboard/Mouse                            | 104-key keyboard (USB)/Optical Wheel Mouse (USB)   |
| Power supply                              | 240 watts with variable speed fan, autosensing, 85% PSU, Climate Savers Computing Bronze, 80 PLUS Bronze qualified   |
| Environmental certifications              | GREENGUARD® certified/RoHS-compliant/EPEAT™ Gold rating/ENERGY STAR 5.2 qualified  |
| ISV certifications                        | For the latest list of certifications, please visit <a href="http://www.lenovo.com/support/ISV">www.lenovo.com/support/ISV</a>   |
| Limited warranty <sup>1</sup>             | 3-year parts and labor   |

**Drives Bays\***



\* Image above is for reference only. Model in this image contains optional slim optical + 3.5" 2nd hard drive bay with supplemental fan (Bay 2) and optional 2.5" 3rd hard drive bay (Bay 3)

- Bay 1 Standard, 3.5", 1" high, internal, primary hard drive bay
- Bay 2 Standard, 5.25", 1.6" high, external, for optical, also supports one of the following:
  - (1) 5.25" slim optical (access) and 3.5" 2nd hard drive bay (internal), optional
  - (2) 3.5" 2nd hard drive bay (internal), optional
- Bay 3 Optional, 2.5", 0.6" high, internal, 3rd hard drive bay
- Bay 4 Optional, 3.5", 0.5" high, supports one of the following:
  - (1) for optional slim media card reader, external
  - (2) for optional mSATA drive, internal

Notes:  
Standard optical and hard drive bays are included in models; optional optical and hard drive bays are available on models with the corresponding drives only

**Expansion Slots**

- Low Profile, PCIe 3.0 x16 (40w max, near CPU)
- Low Profile, PCIe 2.0 x1
- Low Profile, PCIe 2.0 x16 (x4 elec, 40W max)
- Low Profile, PCI 2.3

**Mechanical**

- Raven black color; metal case
- 13.35"W x 15.0"D x 3.93"H
- 338mm W x 375mm D x 102mm H
- 17.20 lb (7.8kg) max configuration
- 12.9-liter
- Toolless top cover removal
- Toolless disk and optical drive removal
- Toolless adapter retention
- Illuminated front icons
- Recessed power button

# ThinkStation E32 SFF (30A3) - TopSeller (August 2013) - IV

Product Specifications Reference (PSREF)

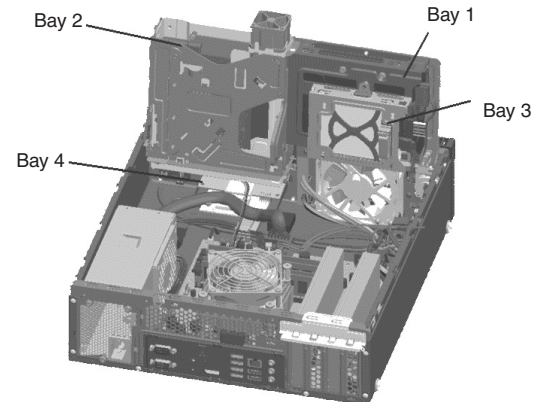
| Type-model | Processor                               | Memory (MHz/type) | Memory DIMMs | Intel HD Graphics | Discrete graphics adapters**               | Pre-conf RAID | Storage          | Optical | 29-in-1 Media reader | 1394 adptr | Chassis intrusion switch | Preloaded OS |
|------------|---|-------------------|--------------|-------------------|--|---------------|------------------|---------|----------------------|------------|--------------------------|--------------|
| 30A3002CUS | Xeon E3-1240 v3 (4C/3.4GHz/8MB/1600MHz) | 1600MHz Non-ECC   | 8GBx1        |                   | 1xQuadro K600 (1GB, 1xDVI-I DL, 1xDP, 41W) | No            | 1x1TB 3.5" SATA  | DVD±RW  | Media                | No         | Switch                   | Win8 Pro64   |
| 30A3002DUS | Core i7-4770 (4C/3.6GHz/8MB/1600MHz)    | 1600MHz Non-ECC   | 8GBx1        | Intel HD 4600     | 1xQuadro K600 (1GB, 1xDVI-I DL, 1xDP, 41W) | No            | 1x180GB SATA SSD | DVD±RW  | Media                | No         | Switch                   | Win8 Pro64   |
| 30A3002EUS | Xeon E3-1280 v3 (4C/3.6GHz/8MB/1600MHz) | 1600MHz Non-ECC   | 8GBx1        |                   | 1xQuadro K600 (1GB, 1xDVI-I DL, 1xDP, 41W) | No            | 1x1TB 3.5" SATA  | DVD±RW  | Media                | No         | Switch                   | Win8 Pro64   |
| 30A3002FUS | Xeon E3-1245 v3 (4C/3.4GHz/8MB/1600MHz) | 1600MHz Non-ECC   | 8GBx1        | Intel HD P4600    | 1xQuadro K600 (1GB, 1xDVI-I DL, 1xDP, 41W) | No            | 1x180GB SATA SSD | DVD±RW  | Media                | No         | Switch                   | Win8 Pro64   |

\* Model in italics shows that this is a Global Model \*\* DL = Dual Link, SL = Single Link

• For detailed ThinkStation E32 SFF platform specifications, please see [ThinkStation E32 Platform Specifications sheet](#)

|   |  |
|---|--|
| Chipset                                   | <b>Intel C226 Chipset</b>  |
| Intel AMT                                 | Intel Active Management Technology 9 supported on models with Intel Xeon processors  |
| Processor                                 | One <b>LGA1150</b> socket, integrated 2-channel DDR3 memory controller, optional integrated Intel HD Graphics on selected processors   |
| Memory                                    | 1600MHz UDIMM, DDR3, ECC or non-ECC, 2-channel capable   |
| Memory DIMM sockets                       | Four 240-pin DIMM sockets, up to 32GB ECC/non-ECC (8GBx4)  |
| Additional memory disclaimers             | <ul style="list-style-type: none"> <li>Actual memory operating speed depends on processor memory controller speed, installed memory speed, and quantity of memory DIMMs</li> <li>Mixing of ECC and non-ECC is not supported</li> <li>Intel Core i5/i7 processors support non-ECC memory only</li> </ul>  |
| Intel HD Graphics in processor (optional) | Integrated Intel HD Graphics on selected processors, uses main memory, works along with discrete graphics to support multi-display, enables three display connectors (2 DisplayPort, 1 VGA) on rear ports (detailed information please see <b>Rear ports</b> section)  |
| Discrete graphics adapters                | Two PCI Express x16 slots for discrete graphics adapters: <ul style="list-style-type: none"> <li>One PCI Express 3.0 x16 slot (40W max, near CPU)</li> <li>One PCI Express 2.0 x16 slot (x4 electrical, 40W max)</li> </ul>  |
| Onboard drive controllers                 | Four SATA connectors via onboard drive controller in chipset, SATA 6.0Gb/s, RAID 0, 1 support, supports Intel Smart Response Technology  |
| Storage                                   | Up to two 3.5" SATA (SATA 6.0Gb/s, 7200rpm) drives, or up to three 2.5" SATA (SATA 6.0Gb/s, 10000rpm)/SATA SSD (SATA 6.0Gb/s) drives; up to one mSATA SSD drive (SATA 6.0Gb/s)   |
| Optical                                   | Supports DVD-ROM, DVD±RW, or Blu-ray Burner, 1.6" high or slim, SATA interface   |
| Media reader (opt)                        | Optional 29-in-1 media card reader on selected models  |
| Front ports                               | Two USB 3.0 (blue), microphone (3.5mm), headphone (3.5mm)  |
| Rear ports                                | One VGA and two DisplayPort for models with Intel HD Graphics, two USB 2.0, four USB 3.0 (blue), one serial (9-pin), one ethernet (RJ-45), three analog audio ports (line-in, line-out, mic-in)  |
| IEEE 1394 adptr (opt)                     | Optional Low Profile FireWire PCIe adapter on selected models, 1394a-2000, 400Mbps, two 6-pin ports on rear  |
| Audio                                     | High Definition (HD) Audio, Realtek® ALC662 codec  |
| Speaker                                   | Internal speaker for business audio  |
| Onboard Ethernet                          | One onboard gigabit ethernet, Intel I217LM   |
| Security                                  | <ul style="list-style-type: none"> <li>Security chip: STMicro ST33ZP24AR28PVSP, TCG 1.2-compliant</li> <li>Security slot (in rear for optional Kensington Microsaver cable; prohibits side cover removal)</li> <li>Power-on/Administrator password</li> <li>Boot sequence control</li> <li>Boot without keyboard, mouse</li> <li>Serial port I/O control</li> <li>USB port disablement (front or all/individual)</li> <li>Chassis intrusion switch available on selected models</li> </ul> |
| Keyboard/Mouse                            | 104-key keyboard (USB)/Optical Wheel Mouse (USB)   |
| Power supply                              | 240 watts with variable speed fan, autosensing, 85% PSU, Climate Savers Computing Bronze, 80 PLUS Bronze qualified   |
| Environmental certifications              | GREENGUARD® certified/RoHS-compliant/EPEAT™ Gold rating/ENERGY STAR 5.2 qualified  |
| ISV certifications                        | For the latest list of certifications, please visit <a href="http://www.lenovo.com/support/ISV">www.lenovo.com/support/ISV</a>   |
| Limited warranty <sup>1</sup>             | 3-year parts and labor   |

## Drives Bays\*



\* Image above is for reference only. Model in this image contains optional slim optical + 3.5" 2nd hard drive bay with supplemental fan (Bay 2) and optional 2.5" 3rd hard drive bay (Bay 3)

- Bay 1 Standard, 3.5", 1" high, internal, primary hard drive bay
- Bay 2 Standard, 5.25", 1.6" high, external, for optical, also supports one of the following:
  - (1) 5.25" slim optical (access) and 3.5" 2nd hard drive bay (internal), optional
  - (2) 3.5" 2nd hard drive bay (internal), optional
- Bay 3 Optional, 2.5", 0.6" high, internal, 3rd hard drive bay
- Bay 4 Optional, 3.5", 0.5" high, supports one of the following:
  - (1) for optional slim media card reader, external
  - (2) for optional mSATA drive, internal

### Notes:

Standard optical and hard drive bays are included in models; optional optical and hard drive bays are available on models with the corresponding drives only

### Expansion Slots

- 1: Low Profile, PCIe 3.0 x16 (40w max, near CPU)
- 2: Low Profile, PCIe 2.0 x1
- 3: Low Profile, PCIe 2.0 x16 (x4 elec, 40W max)
- 4: Low Profile, PCI 2.3

### Mechanical

- Raven black color; metal case
- 13.35"W x 15.0"D x 3.93"H
- 338mm W x 375mm D x 102mm H
- 17.20 lb (7.8kg) max configuration
- 12.9-liter
- Toolless top cover removal
- Toolless disk and optical drive removal
- Toolless adapter retention
- Illuminated front icons
- Recessed power button

See footnotes for important warranty information  
Model(s) announced August 20, 2013

© Lenovo  
(30A3-4) August 2013

| Type-model* | Processor                            | Memory (MHz/type) | Memory DIMMs | Intel HD Graphics | Discrete graphics adapters**                | Pre-conf RAID | Storage           | Optical | 29-in-1 Media reader | 1394 adptr | Chassis intrusion switch | Preloaded OS                     |
|-------------|--------------------------------------|-------------------|--------------|-------------------|---|---------------|-------------------|---------|----------------------|------------|--------------------------|----------------------------------|
| 30A3001MUS  | Core i3-4330 (2C/3.5GHz/4MB/1600MHz) | 1600MHz Non-ECC   | 4GBx1        | Intel HD 4600     |   | No            | 1x500GB 3.5" SATA | DVD±RW  | Media                | No         | Switch                   | Win7 Pro64 (Downgrade from Win8) |
| 30A3001NUS  | Core i3-4330 (2C/3.5GHz/4MB/1600MHz) | 1600MHz Non-ECC   | 4GBx1        | Intel HD 4600     | 1xQuadro 410 (512MB, 1xDVI-I DL, 1xDP, 37W) | No            | 1x500GB 3.5" SATA | DVD±RW  | Media                | No         | Switch                   | Win7 Pro64 (Downgrade from Win8) |
| 30A3001PUS  | Core i3-4330 (2C/3.5GHz/4MB/1600MHz) | 1600MHz Non-ECC   | 4GBx1        | Intel HD 4600     | 1xQuadro K600 (1GB, 1xDVI-I DL, 1xDP, 41W)  | No            | 1x500GB 3.5" SATA | DVD±RW  | Media                | No         | Switch                   | Win7 Pro64 (Downgrade from Win8) |
| 30A3001QUS  | Core i3-4330 (2C/3.5GHz/4MB/1600MHz) | 1600MHz Non-ECC   | 8GBx1        | Intel HD 4600     | 1xQuadro K600 (1GB, 1xDVI-I DL, 1xDP, 41W)  | No            | 1x1TB 3.5" SATA   | DVD±RW  | Media                | No         | Switch                   | Win7 Pro64 (Downgrade from Win8) |
| 30A30021US  | Core i3-4330 (2C/3.5GHz/4MB/1600MHz) | 1600MHz Non-ECC   | 4GBx1        | Intel HD 4600     |   | No            | 1x500GB 3.5" SATA | DVD±RW  | Media                | No         | Switch                   | Win8 Pro64                       |
| 30A30022US  | Core i3-4330 (2C/3.5GHz/4MB/1600MHz) | 1600MHz Non-ECC   | 4GBx1        | Intel HD 4600     | 1xQuadro 410 (512MB, 1xDVI-I DL, 1xDP, 37W) | No            | 1x500GB 3.5" SATA | DVD±RW  | Media                | No         | Switch                   | Win8 Pro64                       |
| 30A30023US  | Core i3-4330 (2C/3.5GHz/4MB/1600MHz) | 1600MHz Non-ECC   | 4GBx1        | Intel HD 4600     | 1xQuadro K600 (1GB, 1xDVI-I DL, 1xDP, 41W)  | No            | 1x500GB 3.5" SATA | DVD±RW  | Media                | No         | Switch                   | Win8 Pro64                       |
| 30A30024US  | Core i3-4330 (2C/3.5GHz/4MB/1600MHz) | 1600MHz Non-ECC   | 8GBx1        | Intel HD 4600     | 1xQuadro K600 (1GB, 1xDVI-I DL, 1xDP, 41W)  | No            | 1x1TB 3.5" SATA   | DVD±RW  | Media                | No         | Switch                   | Win8 Pro64                       |

\* Model in italics shows that this is a Global Model \*\* DL = Dual Link, SL = Single Link

• For detailed ThinkStation E32 SFF platform specifications, please see [ThinkStation E32 Platform Specifications sheet](#)

|   |  |
|---|--|
| Chipset                                   | Intel C226 Chipset   |
| Intel AMT                                 | Intel Active Management Technology 9 supported on models with Intel Xeon processors  |
| Processor                                 | One LGA1150 socket, integrated 2-channel DDR3 memory controller, optional integrated Intel HD Graphics on selected processors  |
| Memory                                    | 1600MHz UDIMM, DDR3, ECC or non-ECC, 2-channel capable   |
| Memory DIMM sockets                       | Four 240-pin DIMM sockets, up to 32GB ECC/non-ECC (8GBx4)  |
| Additional memory disclaimers             | <ul style="list-style-type: none"> <li>Actual memory operating speed depends on processor memory controller speed, installed memory speed, and quantity of memory DIMMs</li> <li>Mixing of ECC and non-ECC is not supported</li> <li>Intel Core i5/i7 processors support non-ECC memory only</li> </ul>  |
| Intel HD Graphics in processor (optional) | Integrated Intel HD Graphics on selected processors, uses main memory, works along with discrete graphics to support multi-display, enables three display connectors (2 DisplayPort, 1 VGA) on rear ports (detailed information please see <b>Rear ports</b> section)  |
| Discrete graphics adapters                | Two PCI Express x16 slots for discrete graphics adapters: <ul style="list-style-type: none"> <li>One PCI Express 3.0 x16 slot (40W max, near CPU)</li> <li>One PCI Express 2.0 x16 slot (x4 electrical, 40W max)</li> </ul>  |
| Onboard drive controllers                 | Four SATA connectors via onboard drive controller in chipset, SATA 6.0Gb/s, RAID 0, 1 support, supports Intel Smart Response Technology  |
| Storage                                   | Up to two 3.5" SATA (SATA 6.0Gb/s, 7200rpm) drives, or up to three 2.5" SATA (SATA 6.0Gb/s, 10000rpm)/SATA SSD (SATA 6.0Gb/s) drives; up to one mSATA SSD drive (SATA 6.0Gb/s)   |
| Optical                                   | Supports DVD-ROM, DVD±RW, or Blu-ray Burner, 1.6" high or slim, SATA interface   |
| Media reader (opt)                        | Optional 29-in-1 media card reader on selected models  |
| Front ports                               | Two USB 3.0 (blue), microphone (3.5mm), headphone (3.5mm)  |
| Rear ports                                | One VGA and two DisplayPort for models with Intel HD Graphics, two USB 2.0, four USB 3.0 (blue), one serial (9-pin), one ethernet (RJ-45), three analog audio ports (line-in, line-out, mic-in)  |
| IEEE 1394 adptr (opt)                     | Optional Low Profile FireWire PCIe adapter on selected models, 1394a-2000, 400Mbps, two 6-pin ports on rear  |
| Audio                                     | High Definition (HD) Audio, Realtek® ALC662 codec  |
| Speaker                                   | Internal speaker for business audio  |
| Onboard Ethernet                          | One onboard gigabit ethernet, Intel I217LM   |
| Security                                  | <ul style="list-style-type: none"> <li>Security chip: STMicro ST33ZP24AR28PVSP, TCG 1.2-compliant</li> <li>Security slot (in rear for optional Kensington Microsaver cable; prohibits side cover removal)</li> <li>Power-on/Administrator password</li> <li>Boot sequence control</li> <li>Boot without keyboard, mouse</li> <li>Serial port I/O control</li> <li>USB port disablement (front or all/individual)</li> <li>Chassis intrusion switch available on selected models</li> </ul> |
| Keyboard/Mouse                            | 104-key keyboard (USB)/Optical Wheel Mouse (USB)   |
| Power supply                              | 240 watts with variable speed fan, autosensing, 85% PSU, Climate Savers Computing Bronze, 80 PLUS Bronze qualified   |
| Environmental certifications              | GREENGUARD® certified/RoHS-compliant/EPEAT™ Gold rating/ENERGY STAR 5.2 qualified  |
| ISV certifications                        | For the latest list of certifications, please visit <a href="http://www.lenovo.com/support/ISV">www.lenovo.com/support/ISV</a>   |
| Limited warranty†                         | 3-year parts and labor   |

**Drives Bays\***

\* Image above is for reference only. Model in this image contains optional slim optical + 3.5" 2nd hard drive bay with supplemental fan (Bay 2) and optional 2.5" 3rd hard drive bay (Bay 3)

Bay 1 Standard, 3.5", 1" high, internal, primary hard drive bay  
 Bay 2 Standard, 5.25", 1.6" high, external, for optical, also supports one of the following:  
 (1) 5.25" slim optical (access) and 3.5" 2nd hard drive bay (internal), optional  
 (2) 3.5" 2nd hard drive bay (internal), optional  
 Bay 3 Optional, 2.5", 0.6" high, internal, 3rd hard drive bay  
 Bay 4 Optional, 3.5", 0.5" high, supports one of the following:  
 (1) for optional slim media card reader, external  
 (2) for optional mSATA drive, internal  
 (Bay 4 is not available on slim optical models)

Notes:  
 Standard optical and hard drive bays are included in models;  
 optional optical and hard drive bays are available on models with the corresponding drives only

|  |   |
|--|---|
| <b>Expansion Slots</b>   |   |
| 1:   | Low Profile, PCIe 3.0 x16 (40w max, near CPU) |
| 2:   | Low Profile, PCIe 2.0 x1                      |
| 3:   | Low Profile, PCIe 2.0 x16 (x4 elec, 40W max)  |
| 4:   | Low Profile, PCI 2.3                          |
| <b>Mechanical</b>  |   |
| <ul style="list-style-type: none"> <li>Raven black color; metal case</li> <li>13.35"W x 15.0"D x 3.93"H</li> <li>338mm W x 375mm D x 102mm H</li> <li>17.20 lb (7.8kg) max configuration</li> <li>12.9-liter</li> <li>Toolless top cover removal</li> <li>Toolless disk and optical drive removal</li> <li>Toolless adapter retention</li> <li>Illuminated front icons</li> <li>Recessed power button</li> </ul> |   |

# ThinkStation E32 SFF (30A2) - August 2013

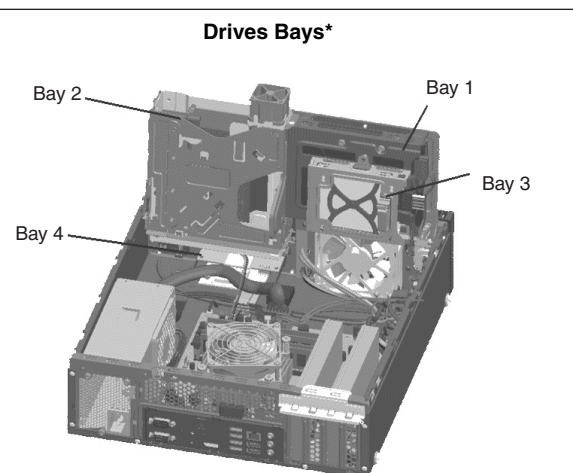
Product Specifications Reference (PSREF)

| Type-model <sup>1</sup> | Processor                               | Memory (MHz/type) | Memory DIMMs | Intel HD Graphics | Discrete graphics adapters**               | Pre-conf RAID | Storage          | Optical | 29-in-1 Media reader | 1394 adptr | Chassis intrusion switch | Preloaded OS                     |
|-------------------------|---|-------------------|--------------|-------------------|--|---------------|------------------|---------|----------------------|------------|--------------------------|----------------------------------|
| 30A2001WUS              | Core i5-4570 (4C/3.2GHz/8MB/1600MHz)    | 1600MHz Non-ECC   | 4GBx1        | Intel HD 4600     | 1xQuadro K600 (1GB, 1xDVI-I DL, 1xDP, 41W) | No            | 1x1TB 3.5" SATA  | DVD±RW  | No                   | No         | Switch                   | Win7 Pro64 (Downgrade from Win8) |
| 30A2001XUS              | Xeon E3-1225 v3 (4C/3.2GHz/8MB/1600MHz) | 1600MHz Non-ECC   | 4GBx1        | Intel HD P4600    | 1xQuadro K600 (1GB, 1xDVI-I DL, 1xDP, 41W) | No            | 1x1TB 3.5" SATA  | DVD±RW  | No                   | No         | Switch                   | Win7 Pro64 (Downgrade from Win8) |
| 30A2001YUS              | Xeon E3-1245 v3 (4C/3.4GHz/8MB/1600MHz) | 1600MHz Non-ECC   | 8GBx1        | Intel HD P4600    | 1xQuadro K600 (1GB, 1xDVI-I DL, 1xDP, 41W) | No            | 1x1TB 3.5" SATA  | DVD±RW  | No                   | No         | Switch                   | Win7 Pro64 (Downgrade from Win8) |
| 30A20020US              | Xeon E3-1275 v3 (4C/3.5GHz/8MB/1600MHz) | 1600MHz Non-ECC   | 8GBx1        | Intel HD P4600    | 1xQuadro K600 (1GB, 1xDVI-I DL, 1xDP, 41W) | No            | 1x1TB 3.5" SATA  | DVD±RW  | No                   | No         | Switch                   | Win7 Pro64 (Downgrade from Win8) |
| 30A20021US              | Core i5-4670 (4C/3.4GHz/8MB/1600MHz)    | 1600MHz Non-ECC   | 8GBx1        | Intel HD 4600     | 1xQuadro K600 (1GB, 1xDVI-I DL, 1xDP, 41W) | No            | 1x1TB 3.5" SATA  | DVD±RW  | No                   | No         | Switch                   | Win7 Pro64 (Downgrade from Win8) |
| 30A20022US              | Core i7-4770 (4C/3.4GHz/8MB/1600MHz)    | 1600MHz Non-ECC   | 8GBx1        | Intel HD 4600     | 1xQuadro K600 (1GB, 1xDVI-I DL, 1xDP, 41W) | No            | 1x180GB SATA SSD | DVD±RW  | No                   | No         | Switch                   | Win7 Pro64 (Downgrade from Win8) |
| 30A20023US              | Xeon E3-1280 v3 (4C/3.6GHz/8MB/1600MHz) | 1600MHz Non-ECC   | 8GBx1        | Intel HD 4600     | 1xQuadro K600 (1GB, 1xDVI-I DL, 1xDP, 41W) | No            | 1x256GB SATA SSD | DVD±RW  | No                   | No         | Switch                   | Win7 Pro64 (Downgrade from Win8) |

<sup>1</sup> Model in italics shows that this is a Global Model    \*\* DL = Dual Link, SL = Single Link

• For detailed ThinkStation E32 SFF platform specifications, please see [ThinkStation E32 Platform Specifications sheet](#)

|   |  |
|---|--|
| Chipset                                   | <b>Intel C226 Chipset</b>  |
| Intel AMT                                 | Intel Active Management Technology 9 supported on models with Intel Xeon processors  |
| Processor                                 | One <b>LGA1150</b> socket, integrated 2-channel DDR3 memory controller, optional integrated Intel HD Graphics on selected processors   |
| Memory                                    | 1600MHz UDIMM, DDR3, ECC or non-ECC, 2-channel capable   |
| Memory DIMM sockets                       | Four 240-pin DIMM sockets, up to 32GB ECC/non-ECC (8GBx4)  |
| Additional memory disclaimers             | <ul style="list-style-type: none"> <li>Actual memory operating speed depends on processor memory controller speed, installed memory speed, and quantity of memory DIMMs</li> <li>Mixing of ECC and non-ECC is not supported</li> <li>Intel Core i5/i7 processors support non-ECC memory only</li> </ul>  |
| Intel HD Graphics in processor (optional) | Integrated Intel HD Graphics on selected processors, uses main memory, works along with discrete graphics to support multi-display, enables three display connectors (2 DisplayPort, 1 VGA) on rear ports (detailed information please see <b>Rear ports</b> section)  |
| Discrete graphics adapters                | Two PCI Express x16 slots for discrete graphics adapters: <ul style="list-style-type: none"> <li>One PCI Express 3.0 x16 slot (40W max, near CPU)</li> <li>One PCI Express 2.0 x16 slot (x4 electrical, 40W max)</li> </ul>  |
| Onboard drive controllers                 | Four SATA connectors via onboard drive controller in chipset, SATA 6.0Gb/s, RAID 0, 1 support, supports Intel Smart Response Technology  |
| Storage                                   | Up to two 3.5" SATA (SATA 6.0Gb/s, 7200rpm) drives, or up to three 2.5" SATA (SATA 6.0Gb/s, 10000rpm)/SATA SSD (SATA 6.0Gb/s) drives; up to one mSATA SSD drive (SATA 6.0Gb/s)   |
| Optical                                   | Supports DVD-ROM, DVD±RW, or Blu-ray Burner, 1.6" high or slim, SATA interface   |
| Media reader (opt)                        | Optional 29-in-1 media card reader on selected models  |
| Front ports                               | Two USB 3.0 (blue), microphone (3.5mm), headphone (3.5mm)  |
| Rear ports                                | One VGA and two DisplayPort for models with Intel HD Graphics, two USB 2.0, four USB 3.0 (blue), one serial (9-pin), one ethernet (RJ-45), three analog audio ports (line-in, line-out, mic-in)  |
| IEEE 1394 adptr (opt)                     | Optional Low Profile FireWire PCIe adapter on selected models, 1394a-2000, 400Mbps, two 6-pin ports on rear  |
| Audio                                     | High Definition (HD) Audio, Realtek® ALC662 codec  |
| Speaker                                   | Internal speaker for business audio  |
| Onboard Ethernet                          | One onboard gigabit ethernet, Intel I217LM   |
| Security                                  | <ul style="list-style-type: none"> <li>Security chip: STMicro ST33ZP24AR28PVSP, TCG 1.2-compliant</li> <li>Security slot (in rear for optional Kensington Microsaver cable; prohibits side cover removal)</li> <li>Power-on/Administrator password</li> <li>Boot sequence control</li> <li>Boot without keyboard, mouse</li> <li>Serial port I/O control</li> <li>USB port disablement (front or all/individual)</li> <li>Chassis intrusion switch available on selected models</li> </ul> |
| Keyboard/Mouse                            | 104-key keyboard (USB)/Optical Wheel Mouse (USB)   |
| Power supply                              | 240 watts with variable speed fan, autosensing, 85% PSU, Climate Savers Computing Bronze, 80 PLUS Bronze qualified   |
| Environmental certifications              | GREENGUARD® certified/RoHS-compliant/EPEAT™ Gold rating/ENERGY STAR 5.2 qualified  |
| ISV certifications                        | For the latest list of certifications, please visit <a href="http://www.lenovo.com/support/ISV">www.lenovo.com/support/ISV</a>   |
| Limited warranty <sup>1</sup>             | 3-year parts and labor   |



\* Image above is for reference only. Model in this image contains optional slim optical + 3.5" 2nd hard drive bay with supplemental fan (Bay 2) and optional 2.5" 3rd hard drive bay (Bay 3)

- Bay 1 Standard, 3.5", 1" high, internal, primary hard drive bay  
 Bay 2 Standard, 5.25", 1.6" high, external, for optical, also supports one of the following:  
 (1) 5.25" slim optical (access) and 3.5" 2nd hard drive bay (internal), optional  
 (2) 3.5" 2nd hard drive bay (internal), optional  
 Bay 3 Optional, 2.5", 0.6" high, internal, 3rd hard drive bay  
 Bay 4 Optional, 3.5", 0.5" high, supports one of the following:  
 (1) for optional slim media card reader, external  
 (2) for optional mSATA drive, internal  
 (Bay 4 is not available on slim optical models)

Notes:  
 Standard optical and hard drive bays are included in models;  
 optional optical and hard drive bays are available on models with the corresponding drives only

### Expansion Slots

- Low Profile, PCIe 3.0 x16 (40w max, near CPU)
- Low Profile, PCIe 2.0 x1
- Low Profile, PCIe 2.0 x16 (x4 elec, 40W max)
- Low Profile, PCI 2.3

### Mechanical

- Raven black color; metal case
- 13.35"W x 15.0"D x 3.93"H
- 338mm W x 375mm D x 102mm H
- 17.20 lb (7.8kg) max configuration
- 12.9-liter
- Toolless top cover removal
- Toolless disk and optical drive removal
- Toolless adapter retention
- Illuminated front icons
- Recessed power button

See footnotes for important warranty information  
 Model(s) announced August 20, 2013

© Lenovo  
 (30A2-1) August 2013

| Type-model <sup>1</sup> | Processor                               | Memory (MHz/type) | Memory DIMMs | Intel HD Graphics | Discrete graphics adapters**               | Pre-conf RAID | Storage          | Optical | 29-in-1 Media reader | 1394 adptr | Chassis intrusion switch | Preloaded OS                     |
|-------------------------|---|-------------------|--------------|-------------------|--|---------------|------------------|---------|----------------------|------------|--------------------------|----------------------------------|
| 30A20024US              | Xeon E3-1280 v3 (4C/3.6GHz/8MB/1600MHz) | 1600MHz Non-ECC   | 8GBx1        |                   | 1xQuadro K600 (1GB, 1xDVI-I DL, 1xDP, 41W) | No            | 1x1TB 3.5" SATA  | DVD±RW  | No                   | No         | Switch                   | Win7 Pro64 (Downgrade from Win8) |
| 30A20027US              | Core i5-4570 (4C/3.2GHz/6MB/1600MHz)    | 1600MHz Non-ECC   | 4GBx1        | Intel HD 4600     | 1xQuadro K600 (1GB, 1xDVI-I DL, 1xDP, 41W) | No            | 1x1TB 3.5" SATA  | DVD±RW  | No                   | No         | Switch                   | Win8 Pro64                       |
| 30A20028US              | Xeon E3-1225 v3 (4C/3.2GHz/8MB/1600MHz) | 1600MHz Non-ECC   | 4GBx1        | Intel HD P4600    | 1xQuadro K600 (1GB, 1xDVI-I DL, 1xDP, 41W) | No            | 1x1TB 3.5" SATA  | DVD±RW  | No                   | No         | Switch                   | Win8 Pro64                       |
| 30A20029US              | Xeon E3-1245 v3 (4C/3.4GHz/8MB/1600MHz) | 1600MHz Non-ECC   | 8GBx1        | Intel HD P4600    | 1xQuadro K600 (1GB, 1xDVI-I DL, 1xDP, 41W) | No            | 1x1TB 3.5" SATA  | DVD±RW  | No                   | No         | Switch                   | Win8 Pro64                       |
| 30A2002AUS              | Xeon E3-1275 v3 (4C/3.5GHz/8MB/1600MHz) | 1600MHz Non-ECC   | 8GBx1        | Intel HD P4600    | 1xQuadro K600 (1GB, 1xDVI-I DL, 1xDP, 41W) | No            | 1x1TB 3.5" SATA  | DVD±RW  | No                   | No         | Switch                   | Win8 Pro64                       |
| 30A2002BUS              | Core i5-4670 (4C/3.4GHz/6MB/1600MHz)    | 1600MHz Non-ECC   | 8GBx1        | Intel HD 4600     | 1xQuadro K600 (1GB, 1xDVI-I DL, 1xDP, 41W) | No            | 1x1TB 3.5" SATA  | DVD±RW  | No                   | No         | Switch                   | Win8 Pro64                       |
| 30A2002CUS              | Core i7-4770 (4C/3.4GHz/8MB/1600MHz)    | 1600MHz Non-ECC   | 8GBx1        | Intel HD 4600     | 1xQuadro K600 (1GB, 1xDVI-I DL, 1xDP, 41W) | No            | 1x180GB SATA SSD | DVD±RW  | No                   | No         | Switch                   | Win8 Pro64                       |

<sup>1</sup> Model in italics shows that this is a Global Model    \*\* DL = Dual Link, SL = Single Link

• For detailed ThinkStation E32 SFF platform specifications, please see [ThinkStation E32 Platform Specifications sheet](#)

|   |  |
|---|--|
| Chipset                                   | Intel C226 Chipset   |
| Intel AMT                                 | Intel Active Management Technology 9 supported on models with Intel Xeon processors  |
| Processor                                 | One <b>LGA1150</b> socket, integrated 2-channel DDR3 memory controller, optional integrated Intel HD Graphics on selected processors   |
| Memory                                    | 1600MHz UDIMM, DDR3, ECC or non-ECC, 2-channel capable   |
| Memory DIMM sockets                       | Four 240-pin DIMM sockets, up to 32GB ECC/non-ECC (8GBx4)  |
| Additional memory disclaimers             | <ul style="list-style-type: none"> <li>Actual memory operating speed depends on processor memory controller speed, installed memory speed, and quantity of memory DIMMs</li> <li>Mixing of ECC and non-ECC is not supported</li> <li>Intel Core i5/i7 processors support non-ECC memory only</li> </ul>  |
| Intel HD Graphics in processor (optional) | Integrated Intel HD Graphics on selected processors, uses main memory, works along with discrete graphics to support multi-display, enables three display connectors (2 DisplayPort, 1 VGA) on rear ports (detailed information please see <b>Rear ports</b> section)  |
| Discrete graphics adapters                | Two PCI Express x16 slots for discrete graphics adapters: <ul style="list-style-type: none"> <li>One PCI Express 3.0 x16 slot (40W max, near CPU)</li> <li>One PCI Express 2.0 x16 slot (x4 electrical, 40W max)</li> </ul>  |
| Onboard drive controllers                 | Four SATA connectors via onboard drive controller in chipset, SATA 6.0Gb/s, RAID 0, 1 support, supports Intel Smart Response Technology  |
| Storage                                   | Up to two 3.5" SATA (SATA 6.0Gb/s, 7200rpm) drives, or up to three 2.5" SATA (SATA 6.0Gb/s, 10000rpm)/SATA SSD (SATA 6.0Gb/s) drives; up to one mSATA SSD drive (SATA 6.0Gb/s)   |
| Optical                                   | Supports DVD-ROM, DVD±RW, or Blu-ray Burner, 1.6" high or slim, SATA interface   |
| Media reader (opt)                        | Optional 29-in-1 media card reader on selected models  |
| Front ports                               | Two USB 3.0 (blue), microphone (3.5mm), headphone (3.5mm)  |
| Rear ports                                | One VGA and two DisplayPort for models with Intel HD Graphics, two USB 2.0, four USB 3.0 (blue), one serial (9-pin), one ethernet (RJ-45), three analog audio ports (line-in, line-out, mic-in)  |
| IEEE 1394 adptr (opt)                     | Optional Low Profile FireWire PCIe adapter on selected models, 1394a-2000, 400Mbps, two 6-pin ports on rear  |
| Audio                                     | High Definition (HD) Audio, Realtek® ALC662 codec  |
| Speaker                                   | Internal speaker for business audio  |
| Onboard Ethernet                          | One onboard gigabit ethernet, Intel I217LM   |
| Security                                  | <ul style="list-style-type: none"> <li>Security chip: STMicro ST33ZP24AR28PVSP, TCG 1.2-compliant</li> <li>Security slot (in rear for optional Kensington Microsaver cable; prohibits side cover removal)</li> <li>Power-on/Administrator password</li> <li>Boot sequence control</li> <li>Boot without keyboard, mouse</li> <li>Serial port I/O control</li> <li>USB port disablement (front or all/individual)</li> <li>Chassis intrusion switch available on selected models</li> </ul> |
| Keyboard/Mouse                            | 104-key keyboard (USB)/Optical Wheel Mouse (USB)   |
| Power supply                              | 240 watts with variable speed fan, autosensing, 85% PSU, Climate Savers Computing Bronze, 80 PLUS Bronze qualified   |
| Environmental certifications              | GREENGUARD® certified/RoHS-compliant/EPEAT™ Gold rating/ENERGY STAR 5.2 qualified  |
| ISV certifications                        | For the latest list of certifications, please visit <a href="http://www.lenovo.com/support/ISV">www.lenovo.com/support/ISV</a>   |
| Limited warranty <sup>1</sup>             | 3-year parts and labor   |

### Drives Bays\*

\* Image above is for reference only. Model in this image contains optional slim optical + 3.5" 2nd hard drive bay with supplemental fan (Bay 2) and optional 2.5" 3rd hard drive bay (Bay 3)

Bay 1 Standard, 3.5", 1" high, internal, primary hard drive bay  
 Bay 2 Standard, 5.25", 1.6" high, external, for optical, also supports one of the following:  
 (1) 5.25" slim optical (access) and 3.5" 2nd hard drive bay (internal), optional  
 (2) 3.5" 2nd hard drive bay (internal), optional  
 Bay 3 Optional, 2.5", 0.6" high, internal, 3rd hard drive bay  
 Bay 4 Optional, 3.5", 0.5" high, supports one of the following:  
 (1) for optional slim media card reader, external  
 (2) for optional mSATA drive, internal  
 (Bay 4 is not available on slim optical models)

**Notes:**  
 Standard optical and hard drive bays are included in models; optional optical and hard drive bays are available on models with the corresponding drives only

### Expansion Slots

- Low Profile, PCIe 3.0 x16 (40w max, near CPU)
- Low Profile, PCIe 2.0 x1
- Low Profile, PCIe 2.0 x16 (x4 elec, 40W max)
- Low Profile, PCI 2.3

### Mechanical

- Raven black color; metal case
- 13.35"W x 15.0"D x 3.93"H
- 338mm W x 375mm D x 102mm H
- 17.20 lb (7.8kg) max configuration
- 12.9-liter
- Toolless top cover removal
- Toolless disk and optical drive removal
- Toolless adapter retention
- Illuminated front icons
- Recessed power button

See footnotes for important warranty information  
 Model(s) announced August 20, 2013



| Type-model <sup>1</sup> | Processor                               | Memory (MHz/type) | Memory DIMMs | Intel HD Graphics | Discrete graphics adapters <sup>**</sup>   | Pre-conf RAID | Storage          | Optical | 29-in-1 Media reader | 1394 adptr | Chassis intrusion switch | Preloaded OS |
|-------------------------|---|-------------------|--------------|-------------------|--|---------------|------------------|---------|----------------------|------------|--------------------------|--------------|
| 30A2002DUS              | Xeon E3-1280 v3 (4C/3.6GHz/8MB/1600MHz) | 1600MHz Non-ECC   | 8GBx1        |                   | 1xQuadro K600 (1GB, 1xDVI-I DL, 1xDP, 41W) | No            | 1x256GB SATA SSD | DVD±RW  | No                   | No         | Switch                   | Win8 Pro64   |
| 30A2002EUS              | Xeon E3-1280 v3 (4C/3.6GHz/8MB/1600MHz) | 1600MHz Non-ECC   | 8GBx1        |                   | 1xQuadro K600 (1GB, 1xDVI-I DL, 1xDP, 41W) | No            | 1x1TB 3.5" SATA  | DVD±RW  | No                   | No         | Switch                   | Win8 Pro64   |

<sup>1</sup> Model in *italics* shows that this is a Global Model    <sup>\*\*</sup> DL = Dual Link, SL = Single Link

• For detailed ThinkStation E32 SFF platform specifications, please see [ThinkStation E32 Platform Specifications sheet](#)

|   |  |
|---|--|
| Chipset                                   | <b>Intel C226 Chipset</b>  |
| Intel AMT                                 | Intel Active Management Technology 9 supported on models with Intel Xeon processors  |
| Processor                                 | One <b>LGA1150</b> socket, integrated 2-channel DDR3 memory controller, optional integrated Intel HD Graphics on selected processors   |
| Memory                                    | 1600MHz UDIMM, DDR3, ECC or non-ECC, 2-channel capable   |
| Memory DIMM sockets                       | Four 240-pin DIMM sockets, up to 32GB ECC/non-ECC (8GBx4)  |
| Additional memory disclaimers             | <ul style="list-style-type: none"> <li>Actual memory operating speed depends on processor memory controller speed, installed memory speed, and quantity of memory DIMMs</li> <li>Mixing of ECC and non-ECC is not supported</li> <li>Intel Core i5/i7 processors support non-ECC memory only</li> </ul>  |
| Intel HD Graphics in processor (optional) | Integrated Intel HD Graphics on selected processors, uses main memory, works along with discrete graphics to support multi-display, enables three display connectors (2 DisplayPort, 1 VGA) on rear ports (detailed information please see <b>Rear ports</b> section)  |
| Discrete graphics adapters                | Two PCI Express x16 slots for discrete graphics adapters: <ul style="list-style-type: none"> <li>One PCI Express 3.0 x16 slot (40W max, near CPU)</li> <li>One PCI Express 2.0 x16 slot (x4 electrical, 40W max)</li> </ul>  |
| Onboard drive controllers                 | Four SATA connectors via onboard drive controller in chipset, SATA 6.0Gb/s, RAID 0, 1 support, supports Intel Smart Response Technology  |
| Storage                                   | Up to two 3.5" SATA (SATA 6.0Gb/s, 7200rpm) drives, or up to three 2.5" SATA (SATA 6.0Gb/s, 10000rpm)/SATA SSD (SATA 6.0Gb/s) drives; up to one mSATA SSD drive (SATA 6.0Gb/s)   |
| Optical                                   | Supports DVD-ROM, DVD±RW, or Blu-ray Burner, 1.6" high or slim, SATA interface   |
| Media reader (opt)                        | Optional 29-in-1 media card reader on selected models  |
| Front ports                               | Two USB 3.0 (blue), microphone (3.5mm), headphone (3.5mm)  |
| Rear ports                                | One VGA and two DisplayPort for models with Intel HD Graphics, two USB 2.0, four USB 3.0 (blue), one serial (9-pin), one ethernet (RJ-45), three analog audio ports (line-in, line-out, mic-in)  |
| IEEE 1394 adptr (opt)                     | Optional Low Profile FireWire PCIe adapter on selected models, 1394a-2000, 400Mbps, two 6-pin ports on rear  |
| Audio                                     | High Definition (HD) Audio, Realtek® ALC662 codec  |
| Speaker                                   | Internal speaker for business audio  |
| Onboard Ethernet                          | One onboard gigabit ethernet, Intel I217LM   |
| Security                                  | <ul style="list-style-type: none"> <li>Security chip: STMicro ST33ZP24AR28PVSP, TCG 1.2-compliant</li> <li>Security slot (in rear for optional Kensington Microsaver cable; prohibits side cover removal)</li> <li>Power-on/Administrator password</li> <li>Boot sequence control</li> <li>Boot without keyboard, mouse</li> <li>Serial port I/O control</li> <li>USB port disablement (front or all/individual)</li> <li>Chassis intrusion switch available on selected models</li> </ul> |
| Keyboard/Mouse                            | 104-key keyboard (USB)/Optical Wheel Mouse (USB)   |
| Power supply                              | 240 watts with variable speed fan, autosensing, 85% PSU, Climate Savers Computing Bronze, 80 PLUS Bronze qualified   |
| Environmental certifications              | GREENGUARD® certified/RoHS-compliant/EPEAT™ Gold rating/ENERGY STAR 5.2 qualified  |
| ISV certifications                        | For the latest list of certifications, please visit <a href="http://www.lenovo.com/support/ISV">www.lenovo.com/support/ISV</a>   |
| Limited warranty <sup>1</sup>             | 3-year parts and labor   |

### Drives Bays\*

*\* Image above is for reference only. Model in this image contains optional slim optical + 3.5" 2nd hard drive bay with supplemental fan (Bay 2) and optional 2.5" 3rd hard drive bay (Bay 3)*

**Bay 1** Standard, 3.5", 1" high, internal, primary hard drive bay  
**Bay 2** Standard, 5.25", 1.6" high, external, for optical, also supports one of the following:  
 (1) 5.25" slim optical (access) and 3.5" 2nd hard drive bay (internal), optional  
 (2) 3.5" 2nd hard drive bay (internal), optional  
**Bay 3** Optional, 2.5", 0.6" high, internal, 3rd hard drive bay  
**Bay 4** Optional, 3.5", 0.5" high, supports one of the following:  
 (1) for optional slim media card reader, external  
 (2) for optional mSATA drive, internal  
 (Bay 4 is not available on slim optical models)

**Notes:**  
 Standard optical and hard drive bays are included in models; optional optical and hard drive bays are available on models with the corresponding drives only

### Expansion Slots

- Low Profile, PCIe 3.0 x16 (40w max, near CPU)
- Low Profile, PCIe 2.0 x1
- Low Profile, PCIe 2.0 x16 (x4 elec, 40W max)
- Low Profile, PCI 2.3

### Mechanical

- Raven black color; metal case
- 13.35"W x 15.0"D x 3.93"H
- 338mm W x 375mm D x 102mm H
- 17.20 lb (7.8kg) max configuration
- 12.9-liter
- Toolless top cover removal
- Toolless disk and optical drive removal
- Toolless adapter retention
- Illuminated front icons
- Recessed power button

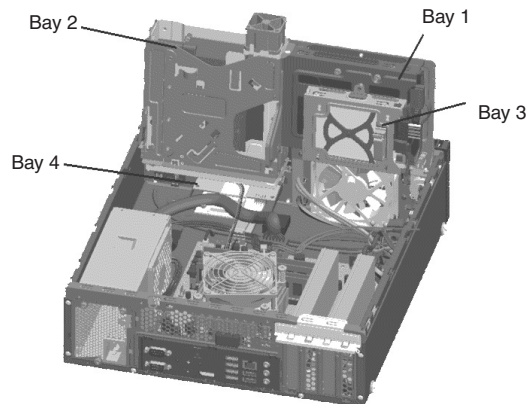
| Type-model <sup>1</sup> | Processor                            | Memory (MHz/type) | Memory DIMMs | Intel HD Graphics | Discrete graphics adapters**                | Pre-conf RAID | Storage           | Optical | 29-in-1 Media reader | 1394 adptr | Chassis intrusion switch | Preloaded OS                     |
|-------------------------|--------------------------------------|-------------------|--------------|-------------------|---|---------------|-------------------|---------|----------------------|------------|--------------------------|----------------------------------|
| 30A2001UUS              | Core i3-4330 (2C/3.5GHz/4MB/1600MHz) | 1600MHz Non-ECC   | 4GBx1        | Intel HD 4600     |   | No            | 1x500GB 3.5" SATA | DVD±RW  | No                   | No         | Switch                   | Win7 Pro64 (Downgrade from Win8) |
| 30A2001VUS              | Core i3-4330 (2C/3.5GHz/4MB/1600MHz) | 1600MHz Non-ECC   | 4GBx1        | Intel HD 4600     | 1xQuadro 410 (512MB, 1xDVI-I DL, 1xDP, 37W) | No            | 1x500GB 3.5" SATA | DVD±RW  | No                   | No         | Switch                   | Win7 Pro64 (Downgrade from Win8) |
| 30A20025US              | Core i3-4330 (2C/3.5GHz/4MB/1600MHz) | 1600MHz Non-ECC   | 4GBx1        | Intel HD 4600     |   | No            | 1x500GB 3.5" SATA | DVD±RW  | No                   | No         | Switch                   | Win8 Pro64                       |
| 30A20026US              | Core i3-4330 (2C/3.5GHz/4MB/1600MHz) | 1600MHz Non-ECC   | 4GBx1        | Intel HD 4600     | 1xQuadro 410 (512MB, 1xDVI-I DL, 1xDP, 37W) | No            | 1x500GB 3.5" SATA | DVD±RW  | No                   | No         | Switch                   | Win8 Pro64                       |

\* Model in italics shows that this is a Global Model \*\* DL = Dual Link, SL = Single Link

• For detailed ThinkStation E32 SFF platform specifications, please see [ThinkStation E32 Platform Specifications sheet](#)

|   |  |
|---|--|
| Chipset                                   | <b>Intel C226 Chipset</b>  |
| Intel AMT                                 | Intel Active Management Technology 9 supported on models with Intel Xeon processors  |
| Processor                                 | One <b>LGA1150</b> socket, integrated 2-channel DDR3 memory controller, optional integrated Intel HD Graphics on selected processors   |
| Memory                                    | 1600MHz UDIMM, DDR3, ECC or non-ECC, 2-channel capable   |
| Memory DIMM sockets                       | Four 240-pin DIMM sockets, up to 32GB ECC/non-ECC (8GBx4)  |
| Additional memory disclaimers             | <ul style="list-style-type: none"> <li>Actual memory operating speed depends on processor memory controller speed, installed memory speed, and quantity of memory DIMMs</li> <li>Mixing of ECC and non-ECC is not supported</li> <li>Intel Core i5/i7 processors support non-ECC memory only</li> </ul>  |
| Intel HD Graphics in processor (optional) | Integrated Intel HD Graphics on selected processors, uses main memory, works along with discrete graphics to support multi-display, enables three display connectors (2 DisplayPort, 1 VGA) on rear ports (detailed information please see <b>Rear ports</b> section)  |
| Discrete graphics adapters                | Two PCI Express x16 slots for discrete graphics adapters: <ul style="list-style-type: none"> <li>One PCI Express 3.0 x16 slot (40W max, near CPU)</li> <li>One PCI Express 2.0 x16 slot (x4 electrical, 40W max)</li> </ul>  |
| Onboard drive controllers                 | Four SATA connectors via onboard drive controller in chipset, SATA 6.0Gb/s, RAID 0, 1 support, supports Intel Smart Response Technology  |
| Storage                                   | Up to two 3.5" SATA (SATA 6.0Gb/s, 7200rpm) drives, or up to three 2.5" SATA (SATA 6.0Gb/s, 10000rpm)/SATA SSD (SATA 6.0Gb/s) drives; up to one mSATA SSD drive (SATA 6.0Gb/s)   |
| Optical                                   | Supports DVD-ROM, DVD±RW, or Blu-ray Burner, 1.6" high or slim, SATA interface   |
| Media reader (opt)                        | Optional 29-in-1 media card reader on selected models  |
| Front ports                               | Two USB 3.0 (blue), microphone (3.5mm), headphone (3.5mm)  |
| Rear ports                                | One VGA and two DisplayPort for models with Intel HD Graphics, two USB 2.0, four USB 3.0 (blue), one serial (9-pin), one ethernet (RJ-45), three analog audio ports (line-in, line-out, mic-in)  |
| IEEE 1394 adptr (opt)                     | Optional Low Profile FireWire PCIe adapter on selected models, 1394a-2000, 400Mbps, two 6-pin ports on rear  |
| Audio                                     | High Definition (HD) Audio, Realtek® ALC662 codec  |
| Speaker                                   | Internal speaker for business audio  |
| Onboard Ethernet                          | One onboard gigabit ethernet, Intel I217LM   |
| Security                                  | <ul style="list-style-type: none"> <li>Security chip: STMicro ST33ZP24AR28PVSP, TCG 1.2-compliant</li> <li>Security slot (in rear for optional Kensington Microsaver cable; prohibits side cover removal)</li> <li>Power-on/Administrator password</li> <li>Boot sequence control</li> <li>Boot without keyboard, mouse</li> <li>Serial port I/O control</li> <li>USB port disablement (front or all/individual)</li> <li>Chassis intrusion switch available on selected models</li> </ul> |
| Keyboard/Mouse                            | 104-key keyboard (USB)/Optical Wheel Mouse (USB)   |
| Power supply                              | 240 watts with variable speed fan, autosensing, 85% PSU, Climate Savers Computing Bronze, 80 PLUS Bronze qualified   |
| Environmental certifications              | GREENGUARD® certified/RoHS-compliant/EPEAT™ Gold rating/ENERGY STAR 5.2 qualified  |
| ISV certifications                        | For the latest list of certifications, please visit <a href="http://www.lenovo.com/support/ISV">www.lenovo.com/support/ISV</a>   |
| Limited warranty <sup>1</sup>             | 3-year parts and labor   |

**Drives Bays\***



\* Image above is for reference only. Model in this image contains optional slim optical + 3.5" 2nd hard drive bay with supplemental fan (Bay 2) and optional 2.5" 3rd hard drive bay (Bay 3)

- Bay 1 Standard, 3.5", 1" high, internal, primary hard drive bay
- Bay 2 Standard, 5.25", 1.6" high, external, for optical, also supports one of the following:
  - (1) 5.25" slim optical (access) and 3.5" 2nd hard drive bay (internal), optional
  - (2) 3.5" 2nd hard drive bay (internal), optional
- Bay 3 Optional, 2.5", 0.6" high, internal, 3rd hard drive bay
- Bay 4 Optional, 3.5", 0.5" high, supports one of the following:
  - (1) for optional slim media card reader, external
  - (2) for optional mSATA drive, internal
(Bay 4 is not available on slim optical models)

**Notes:**

Standard optical and hard drive bays are included in models; optional optical and hard drive bays are available on models with the corresponding drives only

**Expansion Slots**

- 1: Low Profile, PCIe 3.0 x16 (40w max, near CPU)
- 2: Low Profile, PCIe 2.0 x1
- 3: Low Profile, PCIe 2.0 x16 (x4 elec, 40W max)
- 4: Low Profile, PCI 2.3

**Mechanical**

- Raven black color; metal case
- 13.35"W x 15.0"D x 3.93"H
- 338mm W x 375mm D x 102mm H
- 17.20 lb (7.8kg) max configuration
- 12.9-liter
- Toolless top cover removal
- Toolless disk and optical drive removal
- Toolless adapter retention
- Illuminated front icons
- Recessed power button

| Type-model <sup>1</sup> | Processor                                  | Memory (MHz/type)  | Memory DIMMs | Intel HD Graphics | Discrete graphics adapters <sup>2</sup>      | Pre-conf RAID | Storage             | Optical | 29-in-1 Media reader | Chassis intrusion switch | Preloaded OS                        | Base warranty (-year) <sup>3</sup> | Ann date (mm/dd/yy) |
|-------------------------|--|--------------------|--------------|-------------------|--|---------------|---------------------|---------|----------------------|--------------------------|-------------------------------------|------------------------------------|---------------------|
| 30A2001TUS              | Xeon E3-1230 v3<br>4C/3.3 GHz/8 MB/1600MHz | 1600MHz<br>ECC     | 4GBx1        | No                | 1xQuadro K600<br>1GB, 1xDVI-I DL, 1xDP, 41W) | No            | 1x1TB<br>3.5" SATA  | DVD±RW  | Media                | Switch                   | Win7 Pro64<br>(Downgrade from Win8) | 3(IWS)                             | 10/8/13             |
| 30A2002QUS              | Core i5-4570<br>4C/3.2 GHz/6 MB/1600MHz    | 1600MHz<br>Non-ECC | 4GBx1        | Intel HD 4600     | 1xQuadro K600<br>1GB, 1xDVI-I DL, 1xDP, 41W) | No            | 1x1TB<br>3.5" SATA  | DVD±RW  | No                   | Switch                   | Win7 Pro64<br>(Downgrade from Win8) | 3(IWS)                             | 10/8/13             |
| 30A2002PSS              | Core i7-4770<br>4C/3.4 GHz/8 MB/1600MHz    | 1600MHz<br>Non-ECC | 8GBx1        | Intel HD 4600     | 1xQuadro K600<br>1GB, 1xDVI-I DL, 1xDP, 41W) | No            | 1x180GB<br>SATA SSD | DVD±RW  | No                   | Switch                   | Win7 Pro64<br>(Downgrade from Win8) | 3(IWS)                             | 10/15/13            |
| 30A2002QSS              | Core i5-4570<br>4C/3.2 GHz/6 MB/1600MHz    | 1600MHz<br>Non-ECC | 4GBx1        | Intel HD 4600     | 1xQuadro K600<br>1GB, 1xDVI-I DL, 1xDP, 41W) | No            | 1x1TB<br>3.5" SATA  | DVD±RW  | No                   | Switch                   | Win7 Pro64<br>(Downgrade from Win8) | 3(IWS)                             | 10/8/13             |
| 30A2002PUS              | Core i7-4770<br>4C/3.4 GHz/8 MB/1600MHz    | 1600MHz<br>Non-ECC | 8GBx1        | Intel HD 4600     | 1xQuadro K600<br>1GB, 1xDVI-I DL, 1xDP, 41W) | No            | 1x180GB<br>SATA SSD | DVD±RW  | No                   | Switch                   | Win7 Pro64<br>(Downgrade from Win8) | 3(IWS)                             | 10/8/13             |

<sup>1</sup>Model in italics shows that this is a Global Model <sup>2</sup>DL = Dual Link, SL = Single Link <sup>3</sup>IWS= International Warranty Service<sup>9</sup>

• For detailed ThinkStation E32 SFF platform specifications, please see [ThinkStation E32 Platform Specifications sheet](#)

|   |  |
|---|--|
| Chipset                                   | Intel C226 Chipset   |
| Intel AMT                                 | Intel Active Management Technology 9 supported on models with Intel Xeon processors  |
| Processor                                 | One <b>LGA1150</b> socket, integrated 2-channel DDR3 memory controller, optional integrated Intel HD Graphics on selected processors   |
| Memory                                    | 1600MHz UDIMM, DDR3, ECC or non-ECC, 2-channel capable   |
| Memory DIMM sockets                       | Four 240-pin DIMM sockets, up to 32GB ECC/non-ECC (8GBx4)  |
| Additional memory disclaimers             | <ul style="list-style-type: none"> <li>Actual memory operating speed depends on processor memory controller speed, installed memory speed, and quantity of memory DIMMs</li> <li>Mixing of ECC and non-ECC is not supported</li> <li>Intel Core i5/i7 processors support non-ECC memory only</li> </ul>  |
| Intel HD Graphics in processor (optional) | Integrated Intel HD Graphics on selected processors, uses main memory, works along with discrete graphics to support multi-display, enables three display connectors (2 DisplayPort, 1 VGA) on rear ports (detailed information please see <b>Rear ports</b> section)  |
| Discrete graphics adapters                | Two PCI Express x16 slots for discrete graphics adapters: <ul style="list-style-type: none"> <li>One PCI Express 3.0 x16 slot (40W max, near CPU)</li> <li>One PCI Express 2.0 x16 slot (x4 electrical, 40W max)</li> </ul>  |
| Onboard drive controllers                 | Four SATA connectors via onboard drive controller in chipset, SATA 6.0Gb/s, RAID 0, 1 support, supports Intel Smart Response Technology  |
| Storage                                   | Up to two 3.5" SATA (SATA 6.0Gb/s, 7200rpm) drives, or up to three 2.5" SATA (SATA 6.0Gb/s, 10000rpm)/SATA SSD (SATA 6.0Gb/s) drives; up to one mSATA SSD drive (SATA 6.0Gb/s)   |
| Optical                                   | Supports DVD-ROM, DVD±RW, or Blu-ray Burner, 1.6" high or slim, SATA interface   |
| Media reader (opt)                        | Optional 29-in-1 media card reader on selected models  |
| Front ports                               | Two USB 3.0 (blue), microphone (3.5mm), headphone (3.5mm)  |
| Rear ports                                | One VGA and two DisplayPort for models with Intel HD Graphics, two USB 2.0, four USB 3.0 (blue), one serial (9-pin), one ethernet (RJ-45), three analog audio ports (line-in, line-out, mic-in)  |
| IEEE 1394 adptr (opt)                     | Optional Low Profile FireWire PCIe adapter on selected models, 1394a-2000, 400Mbps, two 6-pin ports on rear  |
| Audio                                     | High Definition (HD) Audio, Realtek® ALC662 codec  |
| Speaker                                   | Internal speaker for business audio  |
| Onboard Ethernet                          | One onboard gigabit ethernet, Intel I217LM   |
| Security                                  | <ul style="list-style-type: none"> <li>Security chip: STMicro ST33ZP24AR28PVSP, TCG 1.2-compliant</li> <li>Security slot (in rear for optional Kensington Microsaver cable; prohibits side cover removal)</li> <li>Power-on/Administrator password</li> <li>Boot sequence control</li> <li>Boot without keyboard, mouse</li> <li>Serial port I/O control</li> <li>USB port disablement (front or all/individual)</li> <li>Chassis intrusion switch available on selected models</li> </ul> |
| Keyboard/Mouse                            | 104-key keyboard (USB)/Optical Wheel Mouse (USB)   |
| Power supply                              | 240 watts with variable speed fan, autosensing, 85% PSU, Climate Savers Computing Bronze, 80 PLUS Bronze qualified   |
| Environmental certifications              | GREENGUARD® certified/RoHS-compliant/EPEAT™ Gold rating/ENERGY STAR 5.2 qualified  |
| ISV certifications                        | For the latest list of certifications, please visit <a href="http://www.lenovo.com/support/ISV">www.lenovo.com/support/ISV</a>   |
| Limited warranty <sup>1</sup>             | 3-year parts and labor   |

### Drives Bays\*

\* Image above is for reference only. Model in this image contains optional slim optical + 3.5" 2nd hard drive bay with supplemental fan (Bay 2) and optional 2.5" 3rd hard drive bay (Bay 3)

Bay 1 Standard, 3.5", 1" high, internal, primary hard drive bay  
 Bay 2 Standard, 5.25", 1.6" high, external, for optical, also supports one of the following:  
 (1) 5.25" slim optical (access) and 3.5" 2nd hard drive bay (internal), optional  
 (2) 3.5" 2nd hard drive bay (internal), optional  
 Bay 3 Optional, 2.5", 0.6" high, internal, 3rd hard drive bay  
 Bay 4 Optional, 3.5", 0.5" high, supports one of the following:  
 (1) for optional slim media card reader, external  
 (2) for optional mSATA drive, internal  
 (Bay 4 is not available on slim optical models)

**Notes:**  
 Standard optical and hard drive bays are included in models; optional optical and hard drive bays are available on models with the corresponding drives only

### Expansion Slots

- Low Profile, PCIe 3.0 x16 (40w max, near CPU)
- Low Profile, PCIe 2.0 x1
- Low Profile, PCIe 2.0 x16 (x4 elec, 40W max)
- Low Profile, PCI 2.3

### Mechanical

- Raven black color; metal case
- 13.35"W x 15.0"D x 3.93"H
- 338mm W x 375mm D x 102mm H
- 17.20 lb (7.8kg) max configuration
- 12.9-liter
- Toolless top cover removal
- Toolless disk and optical drive removal
- Toolless adapter retention
- Illuminated front icons
- Recessed power button

See footnotes for important warranty information  
 Model(s) announced October 8 or 15, 2013

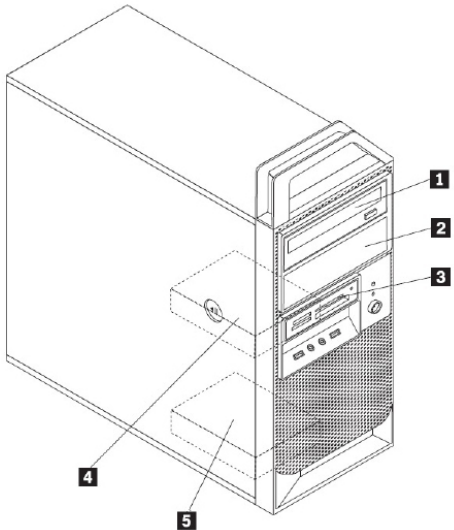
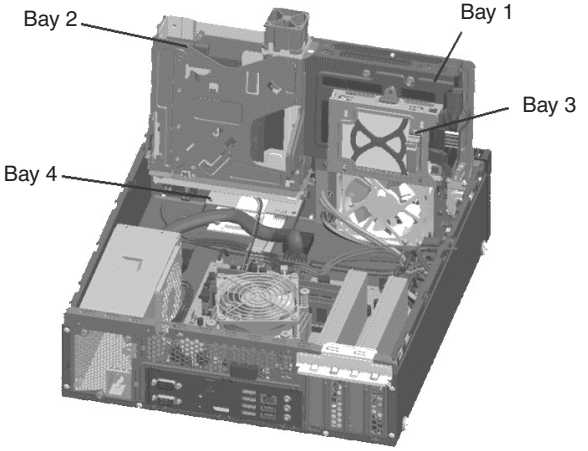
# ThinkStation E32 Platform Specifications - I of III

Product Specifications Reference (PSREF)

| From factor                               | ThinkStation E32 Tower  | ThinkStation E32 SFF  |  |                     |              |              |                           |                         |              |                      |                    |                 |   |   |         |         |      |           |     |  |                 |   |   |         |         |      |           |     |                         |                 |   |   |         |         |      |           |     |  |                 |   |   |         |         |      |           |     |  |                 |   |   |         |         |      |           |     |                         |                 |   |   |         |         |      |           |     |  |                 |   |   |         |         |      |           |     |                         |                 |   |   |         |       |      |           |     |  |              |   |   |         |         |      |           |  |                        |              |   |   |         |         |      |           |  |                        |              |   |   |         |         |      |           |  |                        |              |   |   |         |  |      |           |     |                        |              |   |   |         |  |      |           |     |                        |              |   |   |         |  |      |           |     |                        |               |   |   |         |  |      |           |     |                   |               |   |   |         |  |      |           |     |                   |               |   |   |       |  |      |           |     |                   |
|---|---|---|--|---------------------|--------------|--------------|---------------------------|-------------------------|--------------|----------------------|--------------------|-----------------|---|---|---------|---------|------|-----------|-----|--|-----------------|---|---|---------|---------|------|-----------|-----|-------------------------|-----------------|---|---|---------|---------|------|-----------|-----|--|-----------------|---|---|---------|---------|------|-----------|-----|--|-----------------|---|---|---------|---------|------|-----------|-----|-------------------------|-----------------|---|---|---------|---------|------|-----------|-----|--|-----------------|---|---|---------|---------|------|-----------|-----|-------------------------|-----------------|---|---|---------|-------|------|-----------|-----|--|--------------|---|---|---------|---------|------|-----------|--|------------------------|--------------|---|---|---------|---------|------|-----------|--|------------------------|--------------|---|---|---------|---------|------|-----------|--|------------------------|--------------|---|---|---------|--|------|-----------|-----|------------------------|--------------|---|---|---------|--|------|-----------|-----|------------------------|--------------|---|---|---------|--|------|-----------|-----|------------------------|---------------|---|---|---------|--|------|-----------|-----|-------------------|---------------|---|---|---------|--|------|-----------|-----|-------------------|---------------|---|---|-------|--|------|-----------|-----|-------------------|
| Chipset                                   | <b>Intel C226 Chipset</b>   |   |  |                     |              |              |                           |                         |              |                      |                    |                 |   |   |         |         |      |           |     |  |                 |   |   |         |         |      |           |     |                         |                 |   |   |         |         |      |           |     |  |                 |   |   |         |         |      |           |     |  |                 |   |   |         |         |      |           |     |                         |                 |   |   |         |         |      |           |     |  |                 |   |   |         |         |      |           |     |                         |                 |   |   |         |       |      |           |     |  |              |   |   |         |         |      |           |  |                        |              |   |   |         |         |      |           |  |                        |              |   |   |         |         |      |           |  |                        |              |   |   |         |  |      |           |     |                        |              |   |   |         |  |      |           |     |                        |              |   |   |         |  |      |           |     |                        |               |   |   |         |  |      |           |     |                   |               |   |   |         |  |      |           |     |                   |               |   |   |       |  |      |           |     |                   |
| Intel AMT                                 | Intel Active Management Technology 9 supported on models with Intel Xeon processors   |   |  |                     |              |              |                           |                         |              |                      |                    |                 |   |   |         |         |      |           |     |  |                 |   |   |         |         |      |           |     |                         |                 |   |   |         |         |      |           |     |  |                 |   |   |         |         |      |           |     |  |                 |   |   |         |         |      |           |     |                         |                 |   |   |         |         |      |           |     |  |                 |   |   |         |         |      |           |     |                         |                 |   |   |         |       |      |           |     |  |              |   |   |         |         |      |           |  |                        |              |   |   |         |         |      |           |  |                        |              |   |   |         |         |      |           |  |                        |              |   |   |         |  |      |           |     |                        |              |   |   |         |  |      |           |     |                        |              |   |   |         |  |      |           |     |                        |               |   |   |         |  |      |           |     |                   |               |   |   |         |  |      |           |     |                   |               |   |   |       |  |      |           |     |                   |
| Processor                                 | <p>One LGA1150 socket, supports one processor from Intel Xeon E3-1200 v3, Core i7-4000, Core-i5 4000, Core-i3 4000, and Pentium G3000 families, integrated 2-channel DDR3 memory controller, optional integrated processor graphics on selected processors.</p> <p>The following processors are supported:</p> <table border="1"> <thead> <tr> <th>Processor Number</th> <th># of Cores</th> <th># of Threads</th> <th>Clock Speed</th> <th>Max Turbo Frequency</th> <th>Cache</th> <th>Memory speed</th> <th>ECC Memory Supported</th> <th>Processor Graphics</th> </tr> </thead> <tbody> <tr> <td>Xeon E3-1220 v3</td> <td>4</td> <td>4</td> <td>3.1 GHz</td> <td>3.5 GHz</td> <td>8 MB</td> <td>DDR3-1600</td> <td>Yes</td> <td></td> </tr> <tr> <td>Xeon E3-1225 v3</td> <td>4</td> <td>4</td> <td>3.2 GHz</td> <td>3.6 GHz</td> <td>8 MB</td> <td>DDR3-1600</td> <td>Yes</td> <td>Intel HD Graphics P4600</td> </tr> <tr> <td>Xeon E3-1230 v3</td> <td>4</td> <td>8</td> <td>3.3 GHz</td> <td>3.7 GHz</td> <td>8 MB</td> <td>DDR3-1600</td> <td>Yes</td> <td></td> </tr> <tr> <td>Xeon E3-1240 v3</td> <td>4</td> <td>8</td> <td>3.4 GHz</td> <td>3.8 GHz</td> <td>8 MB</td> <td>DDR3-1600</td> <td>Yes</td> <td></td> </tr> <tr> <td>Xeon E3-1245 v3</td> <td>4</td> <td>8</td> <td>3.4 GHz</td> <td>3.8 GHz</td> <td>8 MB</td> <td>DDR3-1600</td> <td>Yes</td> <td>Intel HD Graphics P4600</td> </tr> <tr> <td>Xeon E3-1270 v3</td> <td>4</td> <td>8</td> <td>3.5 GHz</td> <td>3.9 GHz</td> <td>8 MB</td> <td>DDR3-1600</td> <td>Yes</td> <td></td> </tr> <tr> <td>Xeon E3-1275 v3</td> <td>4</td> <td>8</td> <td>3.5 GHz</td> <td>3.9 GHz</td> <td>8 MB</td> <td>DDR3-1600</td> <td>Yes</td> <td>Intel HD Graphics P4600</td> </tr> <tr> <td>Xeon E3-1280 v3</td> <td>4</td> <td>8</td> <td>3.6 GHz</td> <td>4 GHz</td> <td>8 MB</td> <td>DDR3-1600</td> <td>Yes</td> <td></td> </tr> <tr> <td>Core i5-4670</td> <td>4</td> <td>4</td> <td>3.4 GHz</td> <td>3.8 GHz</td> <td>6 MB</td> <td>DDR3-1600</td> <td></td> <td>Intel HD Graphics 4600</td> </tr> <tr> <td>Core i5-4570</td> <td>4</td> <td>4</td> <td>3.2 GHz</td> <td>3.6 GHz</td> <td>6 MB</td> <td>DDR3-1600</td> <td></td> <td>Intel HD Graphics 4600</td> </tr> <tr> <td>Core i7-4770</td> <td>4</td> <td>8</td> <td>3.4 GHz</td> <td>3.9 GHz</td> <td>8 MB</td> <td>DDR3-1600</td> <td></td> <td>Intel HD Graphics 4600</td> </tr> <tr> <td>Core i3-4340</td> <td>2</td> <td>4</td> <td>3.6 GHz</td> <td></td> <td>4 MB</td> <td>DDR3-1600</td> <td>Yes</td> <td>Intel HD Graphics 4600</td> </tr> <tr> <td>Core i3-4330</td> <td>2</td> <td>4</td> <td>3.5 GHz</td> <td></td> <td>4 MB</td> <td>DDR3-1600</td> <td>Yes</td> <td>Intel HD Graphics 4600</td> </tr> <tr> <td>Core i3-4130</td> <td>2</td> <td>4</td> <td>3.4 GHz</td> <td></td> <td>3 MB</td> <td>DDR3-1600</td> <td>Yes</td> <td>Intel HD Graphics 4400</td> </tr> <tr> <td>Pentium G3430</td> <td>2</td> <td>2</td> <td>3.3 GHz</td> <td></td> <td>3 MB</td> <td>DDR3-1600</td> <td>Yes</td> <td>Intel HD Graphics</td> </tr> <tr> <td>Pentium G3420</td> <td>2</td> <td>2</td> <td>3.2 GHz</td> <td></td> <td>3 MB</td> <td>DDR3-1600</td> <td>Yes</td> <td>Intel HD Graphics</td> </tr> <tr> <td>Pentium G3220</td> <td>2</td> <td>2</td> <td>3 GHz</td> <td></td> <td>3 MB</td> <td>DDR3-1333</td> <td>Yes</td> <td>Intel HD Graphics</td> </tr> </tbody> </table> <p><i>Notes:</i><br/>                     All processors information is provided by Intel and may be changed at any time without notice. The information herein is provided "as-is". Intel may update this information in non-scheduled. For latest information, please see <a href="http://ark.intel.com/">http://ark.intel.com/</a></p> |   | Processor Number   | # of Cores          | # of Threads | Clock Speed  | Max Turbo Frequency       | Cache                   | Memory speed | ECC Memory Supported | Processor Graphics | Xeon E3-1220 v3 | 4 | 4 | 3.1 GHz | 3.5 GHz | 8 MB | DDR3-1600 | Yes |  | Xeon E3-1225 v3 | 4 | 4 | 3.2 GHz | 3.6 GHz | 8 MB | DDR3-1600 | Yes | Intel HD Graphics P4600 | Xeon E3-1230 v3 | 4 | 8 | 3.3 GHz | 3.7 GHz | 8 MB | DDR3-1600 | Yes |  | Xeon E3-1240 v3 | 4 | 8 | 3.4 GHz | 3.8 GHz | 8 MB | DDR3-1600 | Yes |  | Xeon E3-1245 v3 | 4 | 8 | 3.4 GHz | 3.8 GHz | 8 MB | DDR3-1600 | Yes | Intel HD Graphics P4600 | Xeon E3-1270 v3 | 4 | 8 | 3.5 GHz | 3.9 GHz | 8 MB | DDR3-1600 | Yes |  | Xeon E3-1275 v3 | 4 | 8 | 3.5 GHz | 3.9 GHz | 8 MB | DDR3-1600 | Yes | Intel HD Graphics P4600 | Xeon E3-1280 v3 | 4 | 8 | 3.6 GHz | 4 GHz | 8 MB | DDR3-1600 | Yes |  | Core i5-4670 | 4 | 4 | 3.4 GHz | 3.8 GHz | 6 MB | DDR3-1600 |  | Intel HD Graphics 4600 | Core i5-4570 | 4 | 4 | 3.2 GHz | 3.6 GHz | 6 MB | DDR3-1600 |  | Intel HD Graphics 4600 | Core i7-4770 | 4 | 8 | 3.4 GHz | 3.9 GHz | 8 MB | DDR3-1600 |  | Intel HD Graphics 4600 | Core i3-4340 | 2 | 4 | 3.6 GHz |  | 4 MB | DDR3-1600 | Yes | Intel HD Graphics 4600 | Core i3-4330 | 2 | 4 | 3.5 GHz |  | 4 MB | DDR3-1600 | Yes | Intel HD Graphics 4600 | Core i3-4130 | 2 | 4 | 3.4 GHz |  | 3 MB | DDR3-1600 | Yes | Intel HD Graphics 4400 | Pentium G3430 | 2 | 2 | 3.3 GHz |  | 3 MB | DDR3-1600 | Yes | Intel HD Graphics | Pentium G3420 | 2 | 2 | 3.2 GHz |  | 3 MB | DDR3-1600 | Yes | Intel HD Graphics | Pentium G3220 | 2 | 2 | 3 GHz |  | 3 MB | DDR3-1333 | Yes | Intel HD Graphics |
| Processor Number                          | # of Cores  | # of Threads  | Clock Speed  | Max Turbo Frequency | Cache        | Memory speed | ECC Memory Supported      | Processor Graphics      |              |                      |                    |                 |   |   |         |         |      |           |     |  |                 |   |   |         |         |      |           |     |                         |                 |   |   |         |         |      |           |     |  |                 |   |   |         |         |      |           |     |  |                 |   |   |         |         |      |           |     |                         |                 |   |   |         |         |      |           |     |  |                 |   |   |         |         |      |           |     |                         |                 |   |   |         |       |      |           |     |  |              |   |   |         |         |      |           |  |                        |              |   |   |         |         |      |           |  |                        |              |   |   |         |         |      |           |  |                        |              |   |   |         |  |      |           |     |                        |              |   |   |         |  |      |           |     |                        |              |   |   |         |  |      |           |     |                        |               |   |   |         |  |      |           |     |                   |               |   |   |         |  |      |           |     |                   |               |   |   |       |  |      |           |     |                   |
| Xeon E3-1220 v3                           | 4   | 4   | 3.1 GHz  | 3.5 GHz             | 8 MB         | DDR3-1600    | Yes                       |                         |              |                      |                    |                 |   |   |         |         |      |           |     |  |                 |   |   |         |         |      |           |     |                         |                 |   |   |         |         |      |           |     |  |                 |   |   |         |         |      |           |     |  |                 |   |   |         |         |      |           |     |                         |                 |   |   |         |         |      |           |     |  |                 |   |   |         |         |      |           |     |                         |                 |   |   |         |       |      |           |     |  |              |   |   |         |         |      |           |  |                        |              |   |   |         |         |      |           |  |                        |              |   |   |         |         |      |           |  |                        |              |   |   |         |  |      |           |     |                        |              |   |   |         |  |      |           |     |                        |              |   |   |         |  |      |           |     |                        |               |   |   |         |  |      |           |     |                   |               |   |   |         |  |      |           |     |                   |               |   |   |       |  |      |           |     |                   |
| Xeon E3-1225 v3                           | 4   | 4   | 3.2 GHz  | 3.6 GHz             | 8 MB         | DDR3-1600    | Yes                       | Intel HD Graphics P4600 |              |                      |                    |                 |   |   |         |         |      |           |     |  |                 |   |   |         |         |      |           |     |                         |                 |   |   |         |         |      |           |     |  |                 |   |   |         |         |      |           |     |  |                 |   |   |         |         |      |           |     |                         |                 |   |   |         |         |      |           |     |  |                 |   |   |         |         |      |           |     |                         |                 |   |   |         |       |      |           |     |  |              |   |   |         |         |      |           |  |                        |              |   |   |         |         |      |           |  |                        |              |   |   |         |         |      |           |  |                        |              |   |   |         |  |      |           |     |                        |              |   |   |         |  |      |           |     |                        |              |   |   |         |  |      |           |     |                        |               |   |   |         |  |      |           |     |                   |               |   |   |         |  |      |           |     |                   |               |   |   |       |  |      |           |     |                   |
| Xeon E3-1230 v3                           | 4   | 8   | 3.3 GHz  | 3.7 GHz             | 8 MB         | DDR3-1600    | Yes                       |                         |              |                      |                    |                 |   |   |         |         |      |           |     |  |                 |   |   |         |         |      |           |     |                         |                 |   |   |         |         |      |           |     |  |                 |   |   |         |         |      |           |     |  |                 |   |   |         |         |      |           |     |                         |                 |   |   |         |         |      |           |     |  |                 |   |   |         |         |      |           |     |                         |                 |   |   |         |       |      |           |     |  |              |   |   |         |         |      |           |  |                        |              |   |   |         |         |      |           |  |                        |              |   |   |         |         |      |           |  |                        |              |   |   |         |  |      |           |     |                        |              |   |   |         |  |      |           |     |                        |              |   |   |         |  |      |           |     |                        |               |   |   |         |  |      |           |     |                   |               |   |   |         |  |      |           |     |                   |               |   |   |       |  |      |           |     |                   |
| Xeon E3-1240 v3                           | 4   | 8   | 3.4 GHz  | 3.8 GHz             | 8 MB         | DDR3-1600    | Yes                       |                         |              |                      |                    |                 |   |   |         |         |      |           |     |  |                 |   |   |         |         |      |           |     |                         |                 |   |   |         |         |      |           |     |  |                 |   |   |         |         |      |           |     |  |                 |   |   |         |         |      |           |     |                         |                 |   |   |         |         |      |           |     |  |                 |   |   |         |         |      |           |     |                         |                 |   |   |         |       |      |           |     |  |              |   |   |         |         |      |           |  |                        |              |   |   |         |         |      |           |  |                        |              |   |   |         |         |      |           |  |                        |              |   |   |         |  |      |           |     |                        |              |   |   |         |  |      |           |     |                        |              |   |   |         |  |      |           |     |                        |               |   |   |         |  |      |           |     |                   |               |   |   |         |  |      |           |     |                   |               |   |   |       |  |      |           |     |                   |
| Xeon E3-1245 v3                           | 4   | 8   | 3.4 GHz  | 3.8 GHz             | 8 MB         | DDR3-1600    | Yes                       | Intel HD Graphics P4600 |              |                      |                    |                 |   |   |         |         |      |           |     |  |                 |   |   |         |         |      |           |     |                         |                 |   |   |         |         |      |           |     |  |                 |   |   |         |         |      |           |     |  |                 |   |   |         |         |      |           |     |                         |                 |   |   |         |         |      |           |     |  |                 |   |   |         |         |      |           |     |                         |                 |   |   |         |       |      |           |     |  |              |   |   |         |         |      |           |  |                        |              |   |   |         |         |      |           |  |                        |              |   |   |         |         |      |           |  |                        |              |   |   |         |  |      |           |     |                        |              |   |   |         |  |      |           |     |                        |              |   |   |         |  |      |           |     |                        |               |   |   |         |  |      |           |     |                   |               |   |   |         |  |      |           |     |                   |               |   |   |       |  |      |           |     |                   |
| Xeon E3-1270 v3                           | 4   | 8   | 3.5 GHz  | 3.9 GHz             | 8 MB         | DDR3-1600    | Yes                       |                         |              |                      |                    |                 |   |   |         |         |      |           |     |  |                 |   |   |         |         |      |           |     |                         |                 |   |   |         |         |      |           |     |  |                 |   |   |         |         |      |           |     |  |                 |   |   |         |         |      |           |     |                         |                 |   |   |         |         |      |           |     |  |                 |   |   |         |         |      |           |     |                         |                 |   |   |         |       |      |           |     |  |              |   |   |         |         |      |           |  |                        |              |   |   |         |         |      |           |  |                        |              |   |   |         |         |      |           |  |                        |              |   |   |         |  |      |           |     |                        |              |   |   |         |  |      |           |     |                        |              |   |   |         |  |      |           |     |                        |               |   |   |         |  |      |           |     |                   |               |   |   |         |  |      |           |     |                   |               |   |   |       |  |      |           |     |                   |
| Xeon E3-1275 v3                           | 4   | 8   | 3.5 GHz  | 3.9 GHz             | 8 MB         | DDR3-1600    | Yes                       | Intel HD Graphics P4600 |              |                      |                    |                 |   |   |         |         |      |           |     |  |                 |   |   |         |         |      |           |     |                         |                 |   |   |         |         |      |           |     |  |                 |   |   |         |         |      |           |     |  |                 |   |   |         |         |      |           |     |                         |                 |   |   |         |         |      |           |     |  |                 |   |   |         |         |      |           |     |                         |                 |   |   |         |       |      |           |     |  |              |   |   |         |         |      |           |  |                        |              |   |   |         |         |      |           |  |                        |              |   |   |         |         |      |           |  |                        |              |   |   |         |  |      |           |     |                        |              |   |   |         |  |      |           |     |                        |              |   |   |         |  |      |           |     |                        |               |   |   |         |  |      |           |     |                   |               |   |   |         |  |      |           |     |                   |               |   |   |       |  |      |           |     |                   |
| Xeon E3-1280 v3                           | 4   | 8   | 3.6 GHz  | 4 GHz               | 8 MB         | DDR3-1600    | Yes                       |                         |              |                      |                    |                 |   |   |         |         |      |           |     |  |                 |   |   |         |         |      |           |     |                         |                 |   |   |         |         |      |           |     |  |                 |   |   |         |         |      |           |     |  |                 |   |   |         |         |      |           |     |                         |                 |   |   |         |         |      |           |     |  |                 |   |   |         |         |      |           |     |                         |                 |   |   |         |       |      |           |     |  |              |   |   |         |         |      |           |  |                        |              |   |   |         |         |      |           |  |                        |              |   |   |         |         |      |           |  |                        |              |   |   |         |  |      |           |     |                        |              |   |   |         |  |      |           |     |                        |              |   |   |         |  |      |           |     |                        |               |   |   |         |  |      |           |     |                   |               |   |   |         |  |      |           |     |                   |               |   |   |       |  |      |           |     |                   |
| Core i5-4670                              | 4   | 4   | 3.4 GHz  | 3.8 GHz             | 6 MB         | DDR3-1600    |                           | Intel HD Graphics 4600  |              |                      |                    |                 |   |   |         |         |      |           |     |  |                 |   |   |         |         |      |           |     |                         |                 |   |   |         |         |      |           |     |  |                 |   |   |         |         |      |           |     |  |                 |   |   |         |         |      |           |     |                         |                 |   |   |         |         |      |           |     |  |                 |   |   |         |         |      |           |     |                         |                 |   |   |         |       |      |           |     |  |              |   |   |         |         |      |           |  |                        |              |   |   |         |         |      |           |  |                        |              |   |   |         |         |      |           |  |                        |              |   |   |         |  |      |           |     |                        |              |   |   |         |  |      |           |     |                        |              |   |   |         |  |      |           |     |                        |               |   |   |         |  |      |           |     |                   |               |   |   |         |  |      |           |     |                   |               |   |   |       |  |      |           |     |                   |
| Core i5-4570                              | 4   | 4   | 3.2 GHz  | 3.6 GHz             | 6 MB         | DDR3-1600    |                           | Intel HD Graphics 4600  |              |                      |                    |                 |   |   |         |         |      |           |     |  |                 |   |   |         |         |      |           |     |                         |                 |   |   |         |         |      |           |     |  |                 |   |   |         |         |      |           |     |  |                 |   |   |         |         |      |           |     |                         |                 |   |   |         |         |      |           |     |  |                 |   |   |         |         |      |           |     |                         |                 |   |   |         |       |      |           |     |  |              |   |   |         |         |      |           |  |                        |              |   |   |         |         |      |           |  |                        |              |   |   |         |         |      |           |  |                        |              |   |   |         |  |      |           |     |                        |              |   |   |         |  |      |           |     |                        |              |   |   |         |  |      |           |     |                        |               |   |   |         |  |      |           |     |                   |               |   |   |         |  |      |           |     |                   |               |   |   |       |  |      |           |     |                   |
| Core i7-4770                              | 4   | 8   | 3.4 GHz  | 3.9 GHz             | 8 MB         | DDR3-1600    |                           | Intel HD Graphics 4600  |              |                      |                    |                 |   |   |         |         |      |           |     |  |                 |   |   |         |         |      |           |     |                         |                 |   |   |         |         |      |           |     |  |                 |   |   |         |         |      |           |     |  |                 |   |   |         |         |      |           |     |                         |                 |   |   |         |         |      |           |     |  |                 |   |   |         |         |      |           |     |                         |                 |   |   |         |       |      |           |     |  |              |   |   |         |         |      |           |  |                        |              |   |   |         |         |      |           |  |                        |              |   |   |         |         |      |           |  |                        |              |   |   |         |  |      |           |     |                        |              |   |   |         |  |      |           |     |                        |              |   |   |         |  |      |           |     |                        |               |   |   |         |  |      |           |     |                   |               |   |   |         |  |      |           |     |                   |               |   |   |       |  |      |           |     |                   |
| Core i3-4340                              | 2   | 4   | 3.6 GHz  |                     | 4 MB         | DDR3-1600    | Yes                       | Intel HD Graphics 4600  |              |                      |                    |                 |   |   |         |         |      |           |     |  |                 |   |   |         |         |      |           |     |                         |                 |   |   |         |         |      |           |     |  |                 |   |   |         |         |      |           |     |  |                 |   |   |         |         |      |           |     |                         |                 |   |   |         |         |      |           |     |  |                 |   |   |         |         |      |           |     |                         |                 |   |   |         |       |      |           |     |  |              |   |   |         |         |      |           |  |                        |              |   |   |         |         |      |           |  |                        |              |   |   |         |         |      |           |  |                        |              |   |   |         |  |      |           |     |                        |              |   |   |         |  |      |           |     |                        |              |   |   |         |  |      |           |     |                        |               |   |   |         |  |      |           |     |                   |               |   |   |         |  |      |           |     |                   |               |   |   |       |  |      |           |     |                   |
| Core i3-4330                              | 2   | 4   | 3.5 GHz  |                     | 4 MB         | DDR3-1600    | Yes                       | Intel HD Graphics 4600  |              |                      |                    |                 |   |   |         |         |      |           |     |  |                 |   |   |         |         |      |           |     |                         |                 |   |   |         |         |      |           |     |  |                 |   |   |         |         |      |           |     |  |                 |   |   |         |         |      |           |     |                         |                 |   |   |         |         |      |           |     |  |                 |   |   |         |         |      |           |     |                         |                 |   |   |         |       |      |           |     |  |              |   |   |         |         |      |           |  |                        |              |   |   |         |         |      |           |  |                        |              |   |   |         |         |      |           |  |                        |              |   |   |         |  |      |           |     |                        |              |   |   |         |  |      |           |     |                        |              |   |   |         |  |      |           |     |                        |               |   |   |         |  |      |           |     |                   |               |   |   |         |  |      |           |     |                   |               |   |   |       |  |      |           |     |                   |
| Core i3-4130                              | 2   | 4   | 3.4 GHz  |                     | 3 MB         | DDR3-1600    | Yes                       | Intel HD Graphics 4400  |              |                      |                    |                 |   |   |         |         |      |           |     |  |                 |   |   |         |         |      |           |     |                         |                 |   |   |         |         |      |           |     |  |                 |   |   |         |         |      |           |     |  |                 |   |   |         |         |      |           |     |                         |                 |   |   |         |         |      |           |     |  |                 |   |   |         |         |      |           |     |                         |                 |   |   |         |       |      |           |     |  |              |   |   |         |         |      |           |  |                        |              |   |   |         |         |      |           |  |                        |              |   |   |         |         |      |           |  |                        |              |   |   |         |  |      |           |     |                        |              |   |   |         |  |      |           |     |                        |              |   |   |         |  |      |           |     |                        |               |   |   |         |  |      |           |     |                   |               |   |   |         |  |      |           |     |                   |               |   |   |       |  |      |           |     |                   |
| Pentium G3430                             | 2   | 2   | 3.3 GHz  |                     | 3 MB         | DDR3-1600    | Yes                       | Intel HD Graphics       |              |                      |                    |                 |   |   |         |         |      |           |     |  |                 |   |   |         |         |      |           |     |                         |                 |   |   |         |         |      |           |     |  |                 |   |   |         |         |      |           |     |  |                 |   |   |         |         |      |           |     |                         |                 |   |   |         |         |      |           |     |  |                 |   |   |         |         |      |           |     |                         |                 |   |   |         |       |      |           |     |  |              |   |   |         |         |      |           |  |                        |              |   |   |         |         |      |           |  |                        |              |   |   |         |         |      |           |  |                        |              |   |   |         |  |      |           |     |                        |              |   |   |         |  |      |           |     |                        |              |   |   |         |  |      |           |     |                        |               |   |   |         |  |      |           |     |                   |               |   |   |         |  |      |           |     |                   |               |   |   |       |  |      |           |     |                   |
| Pentium G3420                             | 2   | 2   | 3.2 GHz  |                     | 3 MB         | DDR3-1600    | Yes                       | Intel HD Graphics       |              |                      |                    |                 |   |   |         |         |      |           |     |  |                 |   |   |         |         |      |           |     |                         |                 |   |   |         |         |      |           |     |  |                 |   |   |         |         |      |           |     |  |                 |   |   |         |         |      |           |     |                         |                 |   |   |         |         |      |           |     |  |                 |   |   |         |         |      |           |     |                         |                 |   |   |         |       |      |           |     |  |              |   |   |         |         |      |           |  |                        |              |   |   |         |         |      |           |  |                        |              |   |   |         |         |      |           |  |                        |              |   |   |         |  |      |           |     |                        |              |   |   |         |  |      |           |     |                        |              |   |   |         |  |      |           |     |                        |               |   |   |         |  |      |           |     |                   |               |   |   |         |  |      |           |     |                   |               |   |   |       |  |      |           |     |                   |
| Pentium G3220                             | 2   | 2   | 3 GHz  |                     | 3 MB         | DDR3-1333    | Yes                       | Intel HD Graphics       |              |                      |                    |                 |   |   |         |         |      |           |     |  |                 |   |   |         |         |      |           |     |                         |                 |   |   |         |         |      |           |     |  |                 |   |   |         |         |      |           |     |  |                 |   |   |         |         |      |           |     |                         |                 |   |   |         |         |      |           |     |  |                 |   |   |         |         |      |           |     |                         |                 |   |   |         |       |      |           |     |  |              |   |   |         |         |      |           |  |                        |              |   |   |         |         |      |           |  |                        |              |   |   |         |         |      |           |  |                        |              |   |   |         |  |      |           |     |                        |              |   |   |         |  |      |           |     |                        |              |   |   |         |  |      |           |     |                        |               |   |   |         |  |      |           |     |                   |               |   |   |         |  |      |           |     |                   |               |   |   |       |  |      |           |     |                   |
| Memory type                               | 1600MHz UDIMM, DDR3, ECC or non-ECC, 2-channel capable  |   |  |                     |              |              |                           |                         |              |                      |                    |                 |   |   |         |         |      |           |     |  |                 |   |   |         |         |      |           |     |                         |                 |   |   |         |         |      |           |     |  |                 |   |   |         |         |      |           |     |  |                 |   |   |         |         |      |           |     |                         |                 |   |   |         |         |      |           |     |  |                 |   |   |         |         |      |           |     |                         |                 |   |   |         |       |      |           |     |  |              |   |   |         |         |      |           |  |                        |              |   |   |         |         |      |           |  |                        |              |   |   |         |         |      |           |  |                        |              |   |   |         |  |      |           |     |                        |              |   |   |         |  |      |           |     |                        |              |   |   |         |  |      |           |     |                        |               |   |   |         |  |      |           |     |                   |               |   |   |         |  |      |           |     |                   |               |   |   |       |  |      |           |     |                   |
| Memory DIMM sockets                       | Four 240-pin DIMM sockets   |   |  |                     |              |              |                           |                         |              |                      |                    |                 |   |   |         |         |      |           |     |  |                 |   |   |         |         |      |           |     |                         |                 |   |   |         |         |      |           |     |  |                 |   |   |         |         |      |           |     |  |                 |   |   |         |         |      |           |     |                         |                 |   |   |         |         |      |           |     |  |                 |   |   |         |         |      |           |     |                         |                 |   |   |         |       |      |           |     |  |              |   |   |         |         |      |           |  |                        |              |   |   |         |         |      |           |  |                        |              |   |   |         |         |      |           |  |                        |              |   |   |         |  |      |           |     |                        |              |   |   |         |  |      |           |     |                        |              |   |   |         |  |      |           |     |                        |               |   |   |         |  |      |           |     |                   |               |   |   |         |  |      |           |     |                   |               |   |   |       |  |      |           |     |                   |
| Memory capacity                           | Up to 32GB ECC/non-ECC (8GBx4)  |   |  |                     |              |              |                           |                         |              |                      |                    |                 |   |   |         |         |      |           |     |  |                 |   |   |         |         |      |           |     |                         |                 |   |   |         |         |      |           |     |  |                 |   |   |         |         |      |           |     |  |                 |   |   |         |         |      |           |     |                         |                 |   |   |         |         |      |           |     |  |                 |   |   |         |         |      |           |     |                         |                 |   |   |         |       |      |           |     |  |              |   |   |         |         |      |           |  |                        |              |   |   |         |         |      |           |  |                        |              |   |   |         |         |      |           |  |                        |              |   |   |         |  |      |           |     |                        |              |   |   |         |  |      |           |     |                        |              |   |   |         |  |      |           |     |                        |               |   |   |         |  |      |           |     |                   |               |   |   |         |  |      |           |     |                   |               |   |   |       |  |      |           |     |                   |
| Additional memory disclaimers             | <ul style="list-style-type: none"> <li>Actual memory operating speed depends on processor memory controller speed, installed memory speed, and quantity of memory DIMMs</li> <li>Mixing of ECC and non-ECC is not supported</li> </ul>  |   |  |                     |              |              |                           |                         |              |                      |                    |                 |   |   |         |         |      |           |     |  |                 |   |   |         |         |      |           |     |                         |                 |   |   |         |         |      |           |     |  |                 |   |   |         |         |      |           |     |  |                 |   |   |         |         |      |           |     |                         |                 |   |   |         |         |      |           |     |  |                 |   |   |         |         |      |           |     |                         |                 |   |   |         |       |      |           |     |  |              |   |   |         |         |      |           |  |                        |              |   |   |         |         |      |           |  |                        |              |   |   |         |         |      |           |  |                        |              |   |   |         |  |      |           |     |                        |              |   |   |         |  |      |           |     |                        |              |   |   |         |  |      |           |     |                        |               |   |   |         |  |      |           |     |                   |               |   |   |         |  |      |           |     |                   |               |   |   |       |  |      |           |     |                   |
| Intel HD Graphics in processor (optional) | Integrated Intel HD Graphics on Pentium, Core i3, i5, i7 and Xeon E3-12x5 v3 processors, uses main memory, works along with discrete graphics to support multi-display, enables three display connectors (2 DisplayPort, 1 VGA) on rear ports (detailed information please see <b>Rear ports</b> section)   |   |  |                     |              |              |                           |                         |              |                      |                    |                 |   |   |         |         |      |           |     |  |                 |   |   |         |         |      |           |     |                         |                 |   |   |         |         |      |           |     |  |                 |   |   |         |         |      |           |     |  |                 |   |   |         |         |      |           |     |                         |                 |   |   |         |         |      |           |     |  |                 |   |   |         |         |      |           |     |                         |                 |   |   |         |       |      |           |     |  |              |   |   |         |         |      |           |  |                        |              |   |   |         |         |      |           |  |                        |              |   |   |         |         |      |           |  |                        |              |   |   |         |  |      |           |     |                        |              |   |   |         |  |      |           |     |                        |              |   |   |         |  |      |           |     |                        |               |   |   |         |  |      |           |     |                   |               |   |   |         |  |      |           |     |                   |               |   |   |       |  |      |           |     |                   |
| Discrete Graphics adapters                | Two PCI Express x16 slots for discrete graphics adapters: <ul style="list-style-type: none"> <li>One PCI Express 3.0 x16 slot (75W max, near CPU)</li> <li>One PCI Express 2.0 x16 slot (x4 electrical, 75W max)</li> </ul>   | Two PCI Express x16 slots for discrete graphics adapters: <ul style="list-style-type: none"> <li>One PCI Express 3.0 x16 slot (40W max, near CPU)</li> <li>One PCI Express 2.0 x16 slot (x4 electrical, 40W max)</li> </ul> |  |                     |              |              |                           |                         |              |                      |                    |                 |   |   |         |         |      |           |     |  |                 |   |   |         |         |      |           |     |                         |                 |   |   |         |         |      |           |     |  |                 |   |   |         |         |      |           |     |  |                 |   |   |         |         |      |           |     |                         |                 |   |   |         |         |      |           |     |  |                 |   |   |         |         |      |           |     |                         |                 |   |   |         |       |      |           |     |  |              |   |   |         |         |      |           |  |                        |              |   |   |         |         |      |           |  |                        |              |   |   |         |         |      |           |  |                        |              |   |   |         |  |      |           |     |                        |              |   |   |         |  |      |           |     |                        |              |   |   |         |  |      |           |     |                        |               |   |   |         |  |      |           |     |                   |               |   |   |         |  |      |           |     |                   |               |   |   |       |  |      |           |     |                   |
|   | Supports the following NVIDIA Quadro, NVS graphics adapters:  |   |  |                     |              |              |                           |                         |              |                      |                    |                 |   |   |         |         |      |           |     |  |                 |   |   |         |         |      |           |     |                         |                 |   |   |         |         |      |           |     |  |                 |   |   |         |         |      |           |     |  |                 |   |   |         |         |      |           |     |                         |                 |   |   |         |         |      |           |     |  |                 |   |   |         |         |      |           |     |                         |                 |   |   |         |       |      |           |     |  |              |   |   |         |         |      |           |  |                        |              |   |   |         |         |      |           |  |                        |              |   |   |         |         |      |           |  |                        |              |   |   |         |  |      |           |     |                        |              |   |   |         |  |      |           |     |                        |              |   |   |         |  |      |           |     |                        |               |   |   |         |  |      |           |     |                   |               |   |   |         |  |      |           |     |                   |               |   |   |       |  |      |           |     |                   |
|   |   |   |  |                     |              |              | Supported on ThinkStation |                         |              |                      |                    |                 |   |   |         |         |      |           |     |  |                 |   |   |         |         |      |           |     |                         |                 |   |   |         |         |      |           |     |  |                 |   |   |         |         |      |           |     |  |                 |   |   |         |         |      |           |     |                         |                 |   |   |         |         |      |           |     |  |                 |   |   |         |         |      |           |     |                         |                 |   |   |         |       |      |           |     |  |              |   |   |         |         |      |           |  |                        |              |   |   |         |         |      |           |  |                        |              |   |   |         |         |      |           |  |                        |              |   |   |         |  |      |           |     |                        |              |   |   |         |  |      |           |     |                        |              |   |   |         |  |      |           |     |                        |               |   |   |         |  |      |           |     |                   |               |   |   |         |  |      |           |     |                   |               |   |   |       |  |      |           |     |                   |
|   | Memory Size   | CUDA Processor Cores  | Display Connectors   | Max. Displays       | Power        | E32 Tower    | E32 SFF                   |                         |              |                      |                    |                 |   |   |         |         |      |           |     |  |                 |   |   |         |         |      |           |     |                         |                 |   |   |         |         |      |           |     |  |                 |   |   |         |         |      |           |     |  |                 |   |   |         |         |      |           |     |                         |                 |   |   |         |         |      |           |     |  |                 |   |   |         |         |      |           |     |                         |                 |   |   |         |       |      |           |     |  |              |   |   |         |         |      |           |  |                        |              |   |   |         |         |      |           |  |                        |              |   |   |         |         |      |           |  |                        |              |   |   |         |  |      |           |     |                        |              |   |   |         |  |      |           |     |                        |              |   |   |         |  |      |           |     |                        |               |   |   |         |  |      |           |     |                   |               |   |   |         |  |      |           |     |                   |               |   |   |       |  |      |           |     |                   |
| Quadro K2000                              | 2GB   | 384   | 1 dual-link DVI-I<br>2 DisplayPort                           | 4*                  | 51W          | •            |                           |                         |              |                      |                    |                 |   |   |         |         |      |           |     |  |                 |   |   |         |         |      |           |     |                         |                 |   |   |         |         |      |           |     |  |                 |   |   |         |         |      |           |     |  |                 |   |   |         |         |      |           |     |                         |                 |   |   |         |         |      |           |     |  |                 |   |   |         |         |      |           |     |                         |                 |   |   |         |       |      |           |     |  |              |   |   |         |         |      |           |  |                        |              |   |   |         |         |      |           |  |                        |              |   |   |         |         |      |           |  |                        |              |   |   |         |  |      |           |     |                        |              |   |   |         |  |      |           |     |                        |              |   |   |         |  |      |           |     |                        |               |   |   |         |  |      |           |     |                   |               |   |   |         |  |      |           |     |                   |               |   |   |       |  |      |           |     |                   |
| Quadro K2000D                             | 2GB   | 384   | 1 dual-link DVI-I<br>1 dual-link DVI-D<br>1 mini DisplayPort | 4*                  | 51W          | •            |                           |                         |              |                      |                    |                 |   |   |         |         |      |           |     |  |                 |   |   |         |         |      |           |     |                         |                 |   |   |         |         |      |           |     |  |                 |   |   |         |         |      |           |     |  |                 |   |   |         |         |      |           |     |                         |                 |   |   |         |         |      |           |     |  |                 |   |   |         |         |      |           |     |                         |                 |   |   |         |       |      |           |     |  |              |   |   |         |         |      |           |  |                        |              |   |   |         |         |      |           |  |                        |              |   |   |         |         |      |           |  |                        |              |   |   |         |  |      |           |     |                        |              |   |   |         |  |      |           |     |                        |              |   |   |         |  |      |           |     |                        |               |   |   |         |  |      |           |     |                   |               |   |   |         |  |      |           |     |                   |               |   |   |       |  |      |           |     |                   |
| Quadro K600                               | 1GB   | 192   | 1 dual-link DVI-I<br>1 DisplayPort                           | 2                   | 41W          | •            | •                         |                         |              |                      |                    |                 |   |   |         |         |      |           |     |  |                 |   |   |         |         |      |           |     |                         |                 |   |   |         |         |      |           |     |  |                 |   |   |         |         |      |           |     |  |                 |   |   |         |         |      |           |     |                         |                 |   |   |         |         |      |           |     |  |                 |   |   |         |         |      |           |     |                         |                 |   |   |         |       |      |           |     |  |              |   |   |         |         |      |           |  |                        |              |   |   |         |         |      |           |  |                        |              |   |   |         |         |      |           |  |                        |              |   |   |         |  |      |           |     |                        |              |   |   |         |  |      |           |     |                        |              |   |   |         |  |      |           |     |                        |               |   |   |         |  |      |           |     |                   |               |   |   |         |  |      |           |     |                   |               |   |   |       |  |      |           |     |                   |
| Quadro 410                                | 512MB   | 192   | 1 dual-link DVI-I<br>1 DisplayPort                           | 2                   | 37W          | •            | •                         |                         |              |                      |                    |                 |   |   |         |         |      |           |     |  |                 |   |   |         |         |      |           |     |                         |                 |   |   |         |         |      |           |     |  |                 |   |   |         |         |      |           |     |  |                 |   |   |         |         |      |           |     |                         |                 |   |   |         |         |      |           |     |  |                 |   |   |         |         |      |           |     |                         |                 |   |   |         |       |      |           |     |  |              |   |   |         |         |      |           |  |                        |              |   |   |         |         |      |           |  |                        |              |   |   |         |         |      |           |  |                        |              |   |   |         |  |      |           |     |                        |              |   |   |         |  |      |           |     |                        |              |   |   |         |  |      |           |     |                        |               |   |   |         |  |      |           |     |                   |               |   |   |         |  |      |           |     |                   |               |   |   |       |  |      |           |     |                   |
| NVS 510                                   | 2GB   | 192   | 4 mini DisplayPort<br>(with 4 mini DP to DP dongles)         | 4                   | 35W          | •            | •                         |                         |              |                      |                    |                 |   |   |         |         |      |           |     |  |                 |   |   |         |         |      |           |     |                         |                 |   |   |         |         |      |           |     |  |                 |   |   |         |         |      |           |     |  |                 |   |   |         |         |      |           |     |                         |                 |   |   |         |         |      |           |     |  |                 |   |   |         |         |      |           |     |                         |                 |   |   |         |       |      |           |     |  |              |   |   |         |         |      |           |  |                        |              |   |   |         |         |      |           |  |                        |              |   |   |         |         |      |           |  |                        |              |   |   |         |  |      |           |     |                        |              |   |   |         |  |      |           |     |                        |              |   |   |         |  |      |           |     |                        |               |   |   |         |  |      |           |     |                   |               |   |   |         |  |      |           |     |                   |               |   |   |       |  |      |           |     |                   |
|   | * Quadro K2000 and Quadro K2000D are equipped with 3 onboard display connectors, 4 Displays require a supported DisplayPort 1.2 Multi-Stream capable hub or displays.   |   |  |                     |              |              |                           |                         |              |                      |                    |                 |   |   |         |         |      |           |     |  |                 |   |   |         |         |      |           |     |                         |                 |   |   |         |         |      |           |     |  |                 |   |   |         |         |      |           |     |  |                 |   |   |         |         |      |           |     |                         |                 |   |   |         |         |      |           |     |  |                 |   |   |         |         |      |           |     |                         |                 |   |   |         |       |      |           |     |  |              |   |   |         |         |      |           |  |                        |              |   |   |         |         |      |           |  |                        |              |   |   |         |         |      |           |  |                        |              |   |   |         |  |      |           |     |                        |              |   |   |         |  |      |           |     |                        |              |   |   |         |  |      |           |     |                        |               |   |   |         |  |      |           |     |                   |               |   |   |         |  |      |           |     |                   |               |   |   |       |  |      |           |     |                   |

# ThinkStation E32 Platform Specifications - II of III

Product Specifications Reference (PSREF)

| From factor                | ThinkStation E32 Tower  | ThinkStation E32 SFF   |                      |   |                    |         |        |    |   |         |        |    |               |  |               |       |                           |  |           |         |   |       |   |   |   |       |   |   |
|----------------------------|---|--|----------------------|---|--------------------|---------|--------|----|---|---------|--------|----|---------------|--|---------------|-------|---------------------------|--|-----------|---------|---|-------|---|---|---|-------|---|---|
| Discrete Graphics adapters | <table border="1"> <thead> <tr> <th></th> <th>Memory Size</th> <th>CUDA Processor Cores</th> <th>Display Connectors</th> </tr> </thead> <tbody> <tr> <td>NVS 315</td> <td>1024MB</td> <td>48</td> <td>DMS59 to dual single-link DVI-I or dual DisplayPort</td> </tr> <tr> <td>NVS 310</td> <td>512 MB</td> <td>48</td> <td>2 DisplayPort</td> </tr> </tbody> </table>   |  | Memory Size          | CUDA Processor Cores                                | Display Connectors | NVS 315 | 1024MB | 48 | DMS59 to dual single-link DVI-I or dual DisplayPort | NVS 310 | 512 MB | 48 | 2 DisplayPort | <table border="1"> <thead> <tr> <th rowspan="2">Max. Displays</th> <th rowspan="2">Power</th> <th colspan="2">Supported on ThinkStation</th> </tr> <tr> <th>E32 Tower</th> <th>E32 SFF</th> </tr> </thead> <tbody> <tr> <td>2</td> <td>19.5W</td> <td>•</td> <td>•</td> </tr> <tr> <td>2</td> <td>19.5W</td> <td>•</td> <td>•</td> </tr> </tbody> </table> | Max. Displays | Power | Supported on ThinkStation |  | E32 Tower | E32 SFF | 2 | 19.5W | • | • | 2 | 19.5W | • | • |
|                            |   | Memory Size  | CUDA Processor Cores | Display Connectors                                  |                    |         |        |    |   |         |        |    |               |  |               |       |                           |  |           |         |   |       |   |   |   |       |   |   |
|                            | NVS 315   | 1024MB   | 48                   | DMS59 to dual single-link DVI-I or dual DisplayPort |                    |         |        |    |   |         |        |    |               |  |               |       |                           |  |           |         |   |       |   |   |   |       |   |   |
| NVS 310                    | 512 MB  | 48   | 2 DisplayPort        |   |                    |         |        |    |   |         |        |    |               |  |               |       |                           |  |           |         |   |       |   |   |   |       |   |   |
| Max. Displays              | Power   | Supported on ThinkStation  |                      |   |                    |         |        |    |   |         |        |    |               |  |               |       |                           |  |           |         |   |       |   |   |   |       |   |   |
|                            |   | E32 Tower  | E32 SFF              |   |                    |         |        |    |   |         |        |    |               |  |               |       |                           |  |           |         |   |       |   |   |   |       |   |   |
| 2                          | 19.5W   | •  | •                    |   |                    |         |        |    |   |         |        |    |               |  |               |       |                           |  |           |         |   |       |   |   |   |       |   |   |
| 2                          | 19.5W   | •  | •                    |   |                    |         |        |    |   |         |        |    |               |  |               |       |                           |  |           |         |   |       |   |   |   |       |   |   |
| Onboard drive controllers  | Four SATA connectors via onboard drive controller in chipset, SATA 6.0Gb/s, RAID 0, 1, 5 support, supports Intel Smart Response Technology  | Four SATA connectors via onboard drive controller in chipset, SATA 6.0Gb/s, RAID 0, 1 support, supports Intel Smart Response Technology  |                      |   |                    |         |        |    |   |         |        |    |               |  |               |       |                           |  |           |         |   |       |   |   |   |       |   |   |
| Drive Bays                 |  <p>Bay 1 Standard, 5.25", 1.6" high, external, for optical<br/>           Bay 2 Standard, 5.25", 1.6" high, external, for optical or optional, 3.5", 1" high, 3rd hard drive bay<br/>           Bay 3 Optional, 3.5", 1" high, supports one of the following:<br/>           (1) for optional media card reader, external<br/>           (2) for optional mSATA drive, internal<br/>           Bay 4 Standard, 3.5", 1" high, internal, primary hard drive bay<br/>           Bay 5 Standard, 3.5", 1" high, internal, 2nd hard drive bay</p> <p><i>Notes:</i><br/>           Standard optical and hard drive bays are included in models;<br/>           optional hard drive bays are available on models with the corresponding hard drives only</p> |  <p>Bay 1 Standard, 3.5", 1" high, internal, primary hard drive bay<br/>           Bay 2 Standard, 5.25", 1.6" high, external, for optical, also supports one of the following:<br/>           (1) 5.25" slim optical (access) and 3.5" 2nd hard drive bay (internal), optional<br/>           (2) 3.5" 2nd hard drive bay (internal), optional<br/>           Bay 3 Optional, 2.5", 0.6" high, internal, 3rd hard drive bay<br/>           Bay 4 Optional, 3.5", 0.5" high, supports one of the following:<br/>           (1) for optional slim media card reader, external<br/>           (2) for optional mSATA drive, internal<br/>           (Bay 4 is not available on slim optical models)</p> <p><i>Notes:</i><br/>           Standard optical and hard drive bays are included in models;<br/>           optional optical and hard drive bays are available on models with the corresponding drives only</p> <p><i>Image above is for reference only. Model in this image contains optional slim optical + 3.5" 2nd hard drive bay with supplemental fan (Bay 2) and optional 2.5" 3rd hard drive bay (Bay 3)</i></p> |                      |   |                    |         |        |    |   |         |        |    |               |  |               |       |                           |  |           |         |   |       |   |   |   |       |   |   |
| Hard drive(s)              | <p>Supports the following:</p> <p>3.5" SATA: SATA 6.0Gb/s, 7200 rpm, up to 3TB (250GB/500GB/1TB/2TB/3TB)<br/>           2.5" SATA: SATA 6.0Gb/s, 10000 rpm, up to 1TB (250GB/500GB/1TB)<br/>           2.5" SSD: Solid State Drive (SSD), SATA 6.0Gb/s, OPAL-capable on selected models, up to 480GB (128GB/180GB/240GB/256GB/480GB)<br/>           mSATA: mSATA SSD, SATA 6.0Gb/s, 24GB or 128GB (24GB mSATA SSD is only for Intel Smart Response Technology enabled models)</p>   | <p>Supports DVD-ROM, DVD±RW, or Blu-ray Burner, 1.6" high or slim, SATA interface</p>  |                      |   |                    |         |        |    |   |         |        |    |               |  |               |       |                           |  |           |         |   |       |   |   |   |       |   |   |
| Optical                    | Supports DVD-ROM, DVD±RW, or Blu-ray Burner, 1.6" high, SATA interface  | Supports DVD-ROM, DVD±RW, or Blu-ray Burner, 1.6" high or slim, SATA interface   |                      |   |                    |         |        |    |   |         |        |    |               |  |               |       |                           |  |           |         |   |       |   |   |   |       |   |   |
| Media reader (opt)         | Optional 29-in-1 media card reader on selected models   | Optional 29-in-1 media card reader (slim) on selected models   |                      |   |                    |         |        |    |   |         |        |    |               |  |               |       |                           |  |           |         |   |       |   |   |   |       |   |   |
| Front ports                | Two USB 3.0 (blue), microphone (3.5mm), headphone (3.5mm)   |  |                      |   |                    |         |        |    |   |         |        |    |               |  |               |       |                           |  |           |         |   |       |   |   |   |       |   |   |
| Rear ports                 | One VGA and two DisplayPort for models with Intel HD Graphics, two USB 2.0, four USB 3.0 (blue), one serial (9-pin), one ethernet (RJ-45), three analog audio ports (line-in, line-out, mic-in)   |  |                      |   |                    |         |        |    |   |         |        |    |               |  |               |       |                           |  |           |         |   |       |   |   |   |       |   |   |
| Expansion slots            | Slot 1: half-length, full-height, PCIe 3.0 x16 (75w max, near CPU)<br>Slot 2: half-length, full-height, PCIe 2.0 x1<br>Slot 3: half-length, full-height, PCIe 2.0 x16 (x4 elec, 75W max)<br>Slot 4: half-length, full-height, PCI 2.3   | Slot 1: Low Profile, PCIe 3.0 x16 (40w max, near CPU)<br>Slot 2: Low Profile, PCIe 2.0 x1<br>Slot 3: Low Profile, PCIe 2.0 x16 (x4 elec, 40W max)<br>Slot 4: Low Profile, PCI 2.3  |                      |   |                    |         |        |    |   |         |        |    |               |  |               |       |                           |  |           |         |   |       |   |   |   |       |   |   |
| IEEE 1394 adptr (optional) | Optional FireWire PCIe adapter on selected models, 1394a-2000, 400Mbps, two 6-pin ports on rear   | Optional Low Profile FireWire PCIe adapter on selected models, 1394a-2000, 400Mbps, two 6-pin ports on rear  |                      |   |                    |         |        |    |   |         |        |    |               |  |               |       |                           |  |           |         |   |       |   |   |   |       |   |   |
| Audio                      | High Definition (HD) Audio, Realtek® ALC662 codec   |  |                      |   |                    |         |        |    |   |         |        |    |               |  |               |       |                           |  |           |         |   |       |   |   |   |       |   |   |
| Speaker                    | Internal speaker for business audio   |  |                      |   |                    |         |        |    |   |         |        |    |               |  |               |       |                           |  |           |         |   |       |   |   |   |       |   |   |
| Onboard Ethernet           | One onboard gigabit ethernet, Intel I217LM  |  |                      |   |                    |         |        |    |   |         |        |    |               |  |               |       |                           |  |           |         |   |       |   |   |   |       |   |   |
| Keyboard                   | Preferred Pro USB Keyboard (USB connector)  |  |                      |   |                    |         |        |    |   |         |        |    |               |  |               |       |                           |  |           |         |   |       |   |   |   |       |   |   |
| Mouse                      | Optical Wheel Mouse, red wheel (USB connector)  |  |                      |   |                    |         |        |    |   |         |        |    |               |  |               |       |                           |  |           |         |   |       |   |   |   |       |   |   |
| Power supply               | 280 watts with variable speed fan, autosensing, 85% PSU, Climate Savers® Computing Bronze, 80 PLUS® Bronze qualified  | 240 watts with variable speed fan, autosensing, 85% PSU, Climate Savers Computing Bronze, 80 PLUS Bronze qualified   |                      |   |                    |         |        |    |   |         |        |    |               |  |               |       |                           |  |           |         |   |       |   |   |   |       |   |   |

# ThinkStation E32 Platform Specifications - III of III

| From factor  | ThinkStation E32 Tower   | ThinkStation E32 SFF  |   |  |  |      |           |           |             |   |   |  |                 |   |   |  |          |  |   |  |                  |  |   |  |                        |   |   |  |                |  |   |  |   |   |   |  |               |  |   |  |       |   |   |  |                    |   |   |  |                           |   |   |                              |                    |   |   |                              |                          |   |   |                              |                           |   |   |                               |                    |   |   |                               |                          |   |   |                               |  |   |   |  |            |   |   |   |
|--|--|---|---|--|--|------|-----------|-----------|-------------|---|---|--|-----------------|---|---|--|----------|--|---|--|------------------|--|---|--|------------------------|---|---|--|----------------|--|---|--|---|---|---|--|---------------|--|---|--|-------|---|---|--|--------------------|---|---|--|---------------------------|---|---|------------------------------|--------------------|---|---|------------------------------|--------------------------|---|---|------------------------------|---------------------------|---|---|-------------------------------|--------------------|---|---|-------------------------------|--------------------------|---|---|-------------------------------|--|---|---|--|------------|---|---|---|
| Security   | <ul style="list-style-type: none"> <li>• Security chip: STMicro ST33ZP24AR28PVSP, TCG 1.2-compliant</li> <li>• Security slot (in rear for optional Kensington® Microsaver® cable; prohibits side cover removal)</li> <li>• Power-on/Administrator password</li> <li>• Boot sequence control</li> <li>• Boot without keyboard, mouse</li> <li>• Serial port I/O control</li> <li>• USB port disablement (front or all/individual)</li> <li>• Chassis intrusion switch available on selected models</li> </ul>   |   |   |  |  |      |           |           |             |   |   |  |                 |   |   |  |          |  |   |  |                  |  |   |  |                        |   |   |  |                |  |   |  |   |   |   |  |               |  |   |  |       |   |   |  |                    |   |   |  |                           |   |   |                              |                    |   |   |                              |                          |   |   |                              |                           |   |   |                               |                    |   |   |                               |                          |   |   |                               |  |   |   |  |            |   |   |   |
| Mechanical   | <ul style="list-style-type: none"> <li>• Raven black color; metal case</li> <li>• 6.9"W x 17.0"D x 16.7"H (with handle)</li> <li>• 175mm W x 431mm D x 425mm H</li> <li>• 27.56 lb (12.5kg) max configuration</li> <li>• 25-liter</li> </ul>   | <ul style="list-style-type: none"> <li>• Raven black color; metal case</li> <li>• 13.35"W x 15.0"D x 3.93"H</li> <li>• 338mm W x 375mm D x 102mm H</li> <li>• 17.20 lb (7.8kg) max configuration</li> <li>• 12.9-liter</li> </ul>           |   |  |  |      |           |           |             |   |   |  |                 |   |   |  |          |  |   |  |                  |  |   |  |                        |   |   |  |                |  |   |  |   |   |   |  |               |  |   |  |       |   |   |  |                    |   |   |  |                           |   |   |                              |                    |   |   |                              |                          |   |   |                              |                           |   |   |                               |                    |   |   |                               |                          |   |   |                               |  |   |   |  |            |   |   |   |
| Serviceability   | <ul style="list-style-type: none"> <li>• Removable handle on top front</li> <li>• Toolless side cover removal</li> <li>• Toolless disk and optical drive removal (standard bays)</li> <li>• Toolless adapter retention</li> <li>• Illuminated front icons</li> <li>• Recessed power button</li> </ul>  | <ul style="list-style-type: none"> <li>• Toolless top cover removal</li> <li>• Toolless disk and optical drive removal</li> <li>• Toolless adapter retention</li> <li>• Illuminated front icons</li> <li>• Recessed power button</li> </ul> |   |  |  |      |           |           |             |   |   |  |                 |   |   |  |          |  |   |  |                  |  |   |  |                        |   |   |  |                |  |   |  |   |   |   |  |               |  |   |  |       |   |   |  |                    |   |   |  |                           |   |   |                              |                    |   |   |                              |                          |   |   |                              |                           |   |   |                               |                    |   |   |                               |                          |   |   |                               |  |   |   |  |            |   |   |   |
| Environmental certifications                                 | <ul style="list-style-type: none"> <li>• GREENGUARD® certified</li> <li>• RoHS-compliant</li> <li>• EPEAT™ Gold rating</li> <li>• ENERGY STAR 5.2-compliant</li> </ul>   |   |   |  |  |      |           |           |             |   |   |  |                 |   |   |  |          |  |   |  |                  |  |   |  |                        |   |   |  |                |  |   |  |   |   |   |  |               |  |   |  |       |   |   |  |                    |   |   |  |                           |   |   |                              |                    |   |   |                              |                          |   |   |                              |                           |   |   |                               |                    |   |   |                               |                          |   |   |                               |  |   |   |  |            |   |   |   |
| Warranty   | 1 or 3-year limited warranty, parts and labor  |   |   |  |  |      |           |           |             |   |   |  |                 |   |   |  |          |  |   |  |                  |  |   |  |                        |   |   |  |                |  |   |  |   |   |   |  |               |  |   |  |       |   |   |  |                    |   |   |  |                           |   |   |                              |                    |   |   |                              |                          |   |   |                              |                           |   |   |                               |                    |   |   |                               |                          |   |   |                               |  |   |   |  |            |   |   |   |
| ThinkVantage®  | Supports ThinkVantage technologies   |   |   |  |  |      |           |           |             |   |   |  |                 |   |   |  |          |  |   |  |                  |  |   |  |                        |   |   |  |                |  |   |  |   |   |   |  |               |  |   |  |       |   |   |  |                    |   |   |  |                           |   |   |                              |                    |   |   |                              |                          |   |   |                              |                           |   |   |                               |                    |   |   |                               |                          |   |   |                               |  |   |   |  |            |   |   |   |
| Preloaded operating systems                                  | <i>One the following, depending on model:</i> <ul style="list-style-type: none"> <li>• Windows 7 Professional 64</li> <li>• Windows 7 Professional 64 preinstalled through downgrade rights in Windows 8 Pro 64-bit</li> <li>• Windows 8 Pro 64-bit</li> </ul>   |   |   |  |  |      |           |           |             |   |   |  |                 |   |   |  |          |  |   |  |                  |  |   |  |                        |   |   |  |                |  |   |  |   |   |   |  |               |  |   |  |       |   |   |  |                    |   |   |  |                           |   |   |                              |                    |   |   |                              |                          |   |   |                              |                           |   |   |                               |                    |   |   |                               |                          |   |   |                               |  |   |   |  |            |   |   |   |
| Preloaded applications (only some listed)                    | <table border="1"> <thead> <tr> <th rowspan="2"></th> <th colspan="2">Preloaded OS</th> <th rowspan="2">Note</th> </tr> <tr> <th>Windows 7</th> <th>Windows 8</th> </tr> </thead> <tbody> <tr> <td>Intel AppUp</td> <td>•</td> <td>•</td> <td></td> </tr> <tr> <td>PC Device Stage</td> <td>•</td> <td>•</td> <td></td> </tr> <tr> <td>Evernote</td> <td></td> <td>•</td> <td></td> </tr> <tr> <td>Lenovo Companion</td> <td></td> <td>•</td> <td></td> </tr> <tr> <td>Lenovo Solution Center</td> <td>•</td> <td>•</td> <td></td> </tr> <tr> <td>Lenovo Support</td> <td></td> <td>•</td> <td></td> </tr> <tr> <td>Norton Internet Security (30 days of virus definitions)</td> <td>•</td> <td>•</td> <td></td> </tr> <tr> <td>Norton Studio</td> <td></td> <td>•</td> <td></td> </tr> <tr> <td>Skype</td> <td>•</td> <td>•</td> <td></td> </tr> <tr> <td>Cyberlink PowerDVD</td> <td>•</td> <td>•</td> <td><i>On models with DVD ROM, DVD±RW and BluRay</i></td> </tr> <tr> <td>Cyberlink PowerDVD Create</td> <td>•</td> <td>•</td> <td><i>On models with DVD±RW</i></td> </tr> <tr> <td>Cyberlink Power2Go</td> <td>•</td> <td>•</td> <td><i>On models with DVD±RW</i></td> </tr> <tr> <td>Cyberlink Power Producer</td> <td>•</td> <td>•</td> <td><i>On models with DVD±RW</i></td> </tr> <tr> <td>Cyberlink PowerDVD Create</td> <td>•</td> <td>•</td> <td><i>On models with Blu-Ray</i></td> </tr> <tr> <td>Cyberlink Power2Go</td> <td>•</td> <td>•</td> <td><i>On models with Blu-Ray</i></td> </tr> <tr> <td>Cyberlink Power Producer</td> <td>•</td> <td>•</td> <td><i>On models with Blu-Ray</i></td> </tr> <tr> <td>Microsoft Office preloaded, purchase product key to activate</td> <td>•</td> <td>•</td> <td></td> </tr> <tr> <td>AutoCAD LT</td> <td>•</td> <td>•</td> <td><i>Only on models with Xeon processor</i></td> </tr> </tbody> </table> |   |   | Preloaded OS                                     |  | Note | Windows 7 | Windows 8 | Intel AppUp | • | • |  | PC Device Stage | • | • |  | Evernote |  | • |  | Lenovo Companion |  | • |  | Lenovo Solution Center | • | • |  | Lenovo Support |  | • |  | Norton Internet Security (30 days of virus definitions) | • | • |  | Norton Studio |  | • |  | Skype | • | • |  | Cyberlink PowerDVD | • | • | <i>On models with DVD ROM, DVD±RW and BluRay</i> | Cyberlink PowerDVD Create | • | • | <i>On models with DVD±RW</i> | Cyberlink Power2Go | • | • | <i>On models with DVD±RW</i> | Cyberlink Power Producer | • | • | <i>On models with DVD±RW</i> | Cyberlink PowerDVD Create | • | • | <i>On models with Blu-Ray</i> | Cyberlink Power2Go | • | • | <i>On models with Blu-Ray</i> | Cyberlink Power Producer | • | • | <i>On models with Blu-Ray</i> | Microsoft Office preloaded, purchase product key to activate | • | • |  | AutoCAD LT | • | • | <i>Only on models with Xeon processor</i> |
|  |  | Preloaded OS  |   | Note   |  |      |           |           |             |   |   |  |                 |   |   |  |          |  |   |  |                  |  |   |  |                        |   |   |  |                |  |   |  |   |   |   |  |               |  |   |  |       |   |   |  |                    |   |   |  |                           |   |   |                              |                    |   |   |                              |                          |   |   |                              |                           |   |   |                               |                    |   |   |                               |                          |   |   |                               |  |   |   |  |            |   |   |   |
|  |  | Windows 7   | Windows 8                                 |  |  |      |           |           |             |   |   |  |                 |   |   |  |          |  |   |  |                  |  |   |  |                        |   |   |  |                |  |   |  |   |   |   |  |               |  |   |  |       |   |   |  |                    |   |   |  |                           |   |   |                              |                    |   |   |                              |                          |   |   |                              |                           |   |   |                               |                    |   |   |                               |                          |   |   |                               |  |   |   |  |            |   |   |   |
|  | Intel AppUp  | •   | •   |  |  |      |           |           |             |   |   |  |                 |   |   |  |          |  |   |  |                  |  |   |  |                        |   |   |  |                |  |   |  |   |   |   |  |               |  |   |  |       |   |   |  |                    |   |   |  |                           |   |   |                              |                    |   |   |                              |                          |   |   |                              |                           |   |   |                               |                    |   |   |                               |                          |   |   |                               |  |   |   |  |            |   |   |   |
|  | PC Device Stage  | •   | •   |  |  |      |           |           |             |   |   |  |                 |   |   |  |          |  |   |  |                  |  |   |  |                        |   |   |  |                |  |   |  |   |   |   |  |               |  |   |  |       |   |   |  |                    |   |   |  |                           |   |   |                              |                    |   |   |                              |                          |   |   |                              |                           |   |   |                               |                    |   |   |                               |                          |   |   |                               |  |   |   |  |            |   |   |   |
|  | Evernote   |   | •   |  |  |      |           |           |             |   |   |  |                 |   |   |  |          |  |   |  |                  |  |   |  |                        |   |   |  |                |  |   |  |   |   |   |  |               |  |   |  |       |   |   |  |                    |   |   |  |                           |   |   |                              |                    |   |   |                              |                          |   |   |                              |                           |   |   |                               |                    |   |   |                               |                          |   |   |                               |  |   |   |  |            |   |   |   |
|  | Lenovo Companion   |   | •   |  |  |      |           |           |             |   |   |  |                 |   |   |  |          |  |   |  |                  |  |   |  |                        |   |   |  |                |  |   |  |   |   |   |  |               |  |   |  |       |   |   |  |                    |   |   |  |                           |   |   |                              |                    |   |   |                              |                          |   |   |                              |                           |   |   |                               |                    |   |   |                               |                          |   |   |                               |  |   |   |  |            |   |   |   |
|  | Lenovo Solution Center   | •   | •   |  |  |      |           |           |             |   |   |  |                 |   |   |  |          |  |   |  |                  |  |   |  |                        |   |   |  |                |  |   |  |   |   |   |  |               |  |   |  |       |   |   |  |                    |   |   |  |                           |   |   |                              |                    |   |   |                              |                          |   |   |                              |                           |   |   |                               |                    |   |   |                               |                          |   |   |                               |  |   |   |  |            |   |   |   |
|  | Lenovo Support   |   | •   |  |  |      |           |           |             |   |   |  |                 |   |   |  |          |  |   |  |                  |  |   |  |                        |   |   |  |                |  |   |  |   |   |   |  |               |  |   |  |       |   |   |  |                    |   |   |  |                           |   |   |                              |                    |   |   |                              |                          |   |   |                              |                           |   |   |                               |                    |   |   |                               |                          |   |   |                               |  |   |   |  |            |   |   |   |
|  | Norton Internet Security (30 days of virus definitions)  | •   | •   |  |  |      |           |           |             |   |   |  |                 |   |   |  |          |  |   |  |                  |  |   |  |                        |   |   |  |                |  |   |  |   |   |   |  |               |  |   |  |       |   |   |  |                    |   |   |  |                           |   |   |                              |                    |   |   |                              |                          |   |   |                              |                           |   |   |                               |                    |   |   |                               |                          |   |   |                               |  |   |   |  |            |   |   |   |
|  | Norton Studio  |   | •   |  |  |      |           |           |             |   |   |  |                 |   |   |  |          |  |   |  |                  |  |   |  |                        |   |   |  |                |  |   |  |   |   |   |  |               |  |   |  |       |   |   |  |                    |   |   |  |                           |   |   |                              |                    |   |   |                              |                          |   |   |                              |                           |   |   |                               |                    |   |   |                               |                          |   |   |                               |  |   |   |  |            |   |   |   |
|  | Skype  | •   | •   |  |  |      |           |           |             |   |   |  |                 |   |   |  |          |  |   |  |                  |  |   |  |                        |   |   |  |                |  |   |  |   |   |   |  |               |  |   |  |       |   |   |  |                    |   |   |  |                           |   |   |                              |                    |   |   |                              |                          |   |   |                              |                           |   |   |                               |                    |   |   |                               |                          |   |   |                               |  |   |   |  |            |   |   |   |
|  | Cyberlink PowerDVD   | •   | •   | <i>On models with DVD ROM, DVD±RW and BluRay</i> |  |      |           |           |             |   |   |  |                 |   |   |  |          |  |   |  |                  |  |   |  |                        |   |   |  |                |  |   |  |   |   |   |  |               |  |   |  |       |   |   |  |                    |   |   |  |                           |   |   |                              |                    |   |   |                              |                          |   |   |                              |                           |   |   |                               |                    |   |   |                               |                          |   |   |                               |  |   |   |  |            |   |   |   |
|  | Cyberlink PowerDVD Create  | •   | •   | <i>On models with DVD±RW</i>                     |  |      |           |           |             |   |   |  |                 |   |   |  |          |  |   |  |                  |  |   |  |                        |   |   |  |                |  |   |  |   |   |   |  |               |  |   |  |       |   |   |  |                    |   |   |  |                           |   |   |                              |                    |   |   |                              |                          |   |   |                              |                           |   |   |                               |                    |   |   |                               |                          |   |   |                               |  |   |   |  |            |   |   |   |
|  | Cyberlink Power2Go   | •   | •   | <i>On models with DVD±RW</i>                     |  |      |           |           |             |   |   |  |                 |   |   |  |          |  |   |  |                  |  |   |  |                        |   |   |  |                |  |   |  |   |   |   |  |               |  |   |  |       |   |   |  |                    |   |   |  |                           |   |   |                              |                    |   |   |                              |                          |   |   |                              |                           |   |   |                               |                    |   |   |                               |                          |   |   |                               |  |   |   |  |            |   |   |   |
|  | Cyberlink Power Producer   | •   | •   | <i>On models with DVD±RW</i>                     |  |      |           |           |             |   |   |  |                 |   |   |  |          |  |   |  |                  |  |   |  |                        |   |   |  |                |  |   |  |   |   |   |  |               |  |   |  |       |   |   |  |                    |   |   |  |                           |   |   |                              |                    |   |   |                              |                          |   |   |                              |                           |   |   |                               |                    |   |   |                               |                          |   |   |                               |  |   |   |  |            |   |   |   |
| Cyberlink PowerDVD Create                                    | •  | •   | <i>On models with Blu-Ray</i>             |  |  |      |           |           |             |   |   |  |                 |   |   |  |          |  |   |  |                  |  |   |  |                        |   |   |  |                |  |   |  |   |   |   |  |               |  |   |  |       |   |   |  |                    |   |   |  |                           |   |   |                              |                    |   |   |                              |                          |   |   |                              |                           |   |   |                               |                    |   |   |                               |                          |   |   |                               |  |   |   |  |            |   |   |   |
| Cyberlink Power2Go   | •  | •   | <i>On models with Blu-Ray</i>             |  |  |      |           |           |             |   |   |  |                 |   |   |  |          |  |   |  |                  |  |   |  |                        |   |   |  |                |  |   |  |   |   |   |  |               |  |   |  |       |   |   |  |                    |   |   |  |                           |   |   |                              |                    |   |   |                              |                          |   |   |                              |                           |   |   |                               |                    |   |   |                               |                          |   |   |                               |  |   |   |  |            |   |   |   |
| Cyberlink Power Producer                                     | •  | •   | <i>On models with Blu-Ray</i>             |  |  |      |           |           |             |   |   |  |                 |   |   |  |          |  |   |  |                  |  |   |  |                        |   |   |  |                |  |   |  |   |   |   |  |               |  |   |  |       |   |   |  |                    |   |   |  |                           |   |   |                              |                    |   |   |                              |                          |   |   |                              |                           |   |   |                               |                    |   |   |                               |                          |   |   |                               |  |   |   |  |            |   |   |   |
| Microsoft Office preloaded, purchase product key to activate | •  | •   |   |  |  |      |           |           |             |   |   |  |                 |   |   |  |          |  |   |  |                  |  |   |  |                        |   |   |  |                |  |   |  |   |   |   |  |               |  |   |  |       |   |   |  |                    |   |   |  |                           |   |   |                              |                    |   |   |                              |                          |   |   |                              |                           |   |   |                               |                    |   |   |                               |                          |   |   |                               |  |   |   |  |            |   |   |   |
| AutoCAD LT   | •  | •   | <i>Only on models with Xeon processor</i> |  |  |      |           |           |             |   |   |  |                 |   |   |  |          |  |   |  |                  |  |   |  |                        |   |   |  |                |  |   |  |   |   |   |  |               |  |   |  |       |   |   |  |                    |   |   |  |                           |   |   |                              |                    |   |   |                              |                          |   |   |                              |                           |   |   |                               |                    |   |   |                               |                          |   |   |                               |  |   |   |  |            |   |   |   |
| ISV certifications   | For the latest list of certifications, please visit <a href="http://www.lenovo.com/support/ISV">www.lenovo.com/support/ISV</a>   |   |   |  |  |      |           |           |             |   |   |  |                 |   |   |  |          |  |   |  |                  |  |   |  |                        |   |   |  |                |  |   |  |   |   |   |  |               |  |   |  |       |   |   |  |                    |   |   |  |                           |   |   |                              |                    |   |   |                              |                          |   |   |                              |                           |   |   |                               |                    |   |   |                               |                          |   |   |                               |  |   |   |  |            |   |   |   |

## ThinkStation E32 Optional Configurations

Partial list of core options supported on ThinkStation E32 Tower and SFF

| Memory   |            | ThinkStation E32 Tower | ThinkStation E32 SFF |
|--|------------|------------------------|----------------------|
| 2GB DDR3 1600 (PC3 12800) UDIMM Memory                               | 0A65728    | Yes                    | Yes                  |
| 4GB DDR3 1600 (PC3 12800) UDIMM Memory                               | 0A65729    | Yes                    | Yes                  |
| 2GB DDR3 1333 (PC3 10600) ECC UDIMM Memory                           | 43R2033    | Yes                    | Yes                  |
| 4GB DDR3 1333 (PC3 10600) ECC UDIMM Memory                           | 57Y4138    | Yes                    | Yes                  |
| 8GB DDR3 1333 (PC3 10600) ECC UDIMM Memory                           | 0A65718    | Yes                    | Yes                  |
| 2GB DDR3 1600 (PC3 12800) ECC UDIMM Workstation Memory               | 0B47376    | Yes                    | Yes                  |
| 4GB DDR3 1600 (PC3 12800) ECC UDIMM Workstation Memory               | 0B47377    | Yes                    | Yes                  |
| 8GB DDR3 1600 (PC3 12800) ECC UDIMM Workstation Memory               | 0B47378    | Yes                    | Yes                  |
| Disk Drive   |            |                        |                      |
| Lenovo 250GB 7200 rpm Serial ATA Hard Drive                          | 41N3015    | Yes                    | Yes                  |
| Lenovo 500GB 7200 rpm Serial ATA Hard Drive                          | 43R1990    | Yes                    | Yes                  |
| Lenovo 1TB 7200 rpm Serial ATA Hard Drive                            | 45J7918    | Yes                    | Yes                  |
| ThinkStation 180GB Solid State Drive                                 | 0B47308    | Yes                    | Yes                  |
| ThinkStation 128GB SATA 2.5" SSD                                     | 4XB0F18670 | Yes                    | Yes                  |
| ThinkStation 256GB SATA 2.5" SSD                                     | 4XB0F18671 | Yes                    | Yes                  |
| ThinkStation 256GB SATA 2.5" SSD - OPAL                              | 4XB0F22432 | Yes                    | Yes                  |
| Graphics   |            |                        |                      |
| NVIDIA NVS 310 512MB Dual DisplayPort Adapter (SFF, Tower)           | 0B47074    | Yes                    | Yes                  |
| NVIDIA NVS 510 2GB Quad Mini-DisplayPort Graphics (SFF, Tower)       | 0B47077    | Yes                    | Yes                  |
| NVIDIA Quadro 410 512MB Single DVI & Single DisplayPort (SFF, Tower) | 0B47075    | Yes                    | Yes                  |
| NVIDIA Quadro K600 1GB Single DVI & Single DisplayPort (Tower Only)  | 0B47394    | Yes                    |                      |
| NVIDIA Quadro K2000 2GB Single DVI & Dual DisplayPort (Tower Only)   | 0B47392    | Yes                    |                      |

For more information on accessories:

[www.lenovo.com/accessories](http://www.lenovo.com/accessories)

Purchase Lenovo accessories

[www.lenovo.com/support/accessories](http://www.lenovo.com/support/accessories)

Product specifications on Lenovo Support

[www.lenovo.com/accessoriesguide](http://www.lenovo.com/accessoriesguide)

Option Compatibility Matrix (OCM) and accessory brochures

[www.lenovoquickpick.com](http://www.lenovoquickpick.com)

An Options Compatibility Configurator for Lenovo systems