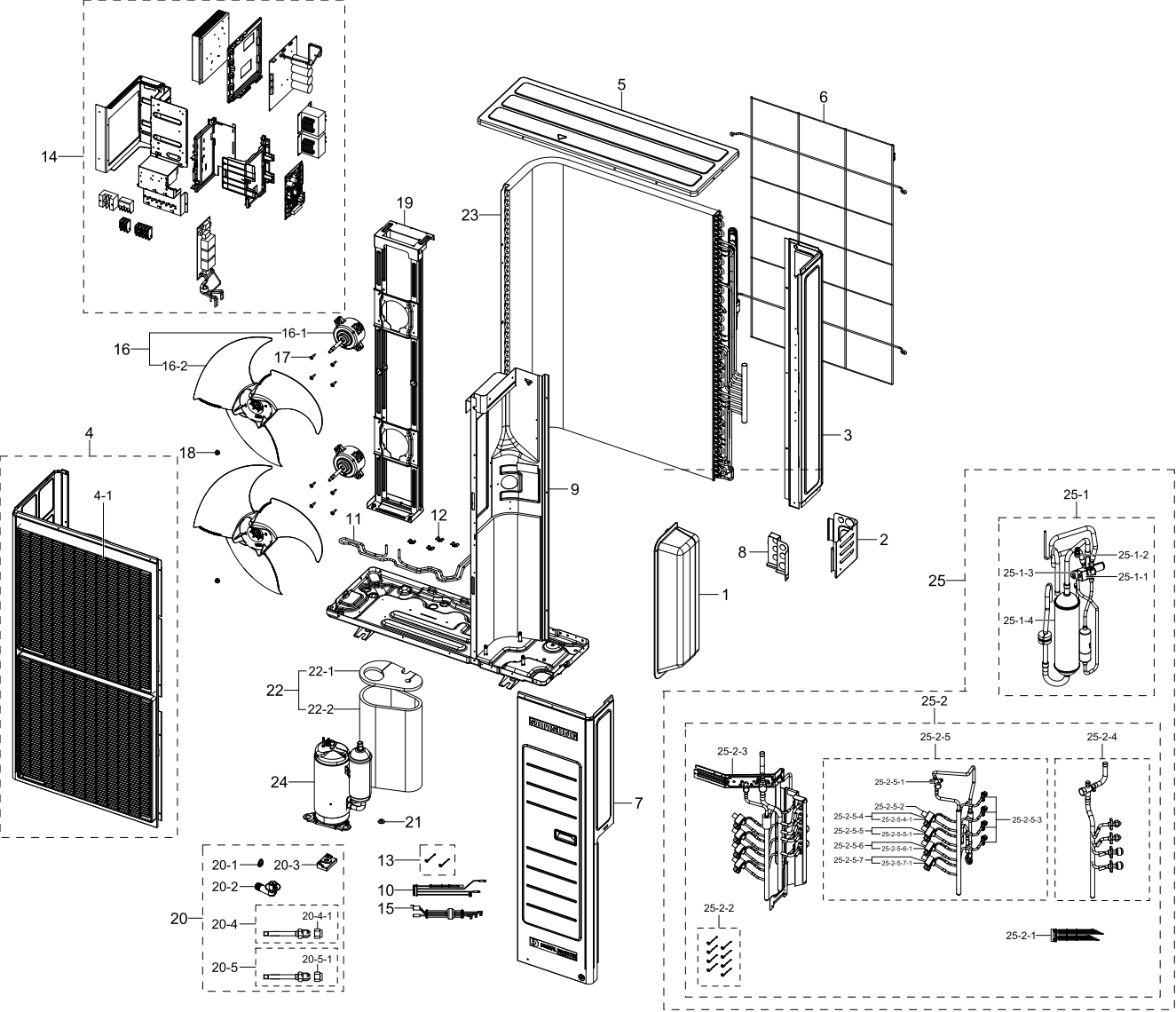


# 1. AJ036BXS4CH/AA

AJ036BXS4CH/AA

## Exploded View



**Parts List**

No.	Lvl.	Loc.	Material Code	Description & Specification	SNA	Qty.
1	3	C1125	DB63-04266A	COVER VALVE; AJ048TXJ5CH/AA,PP+TD20%,T2.5	SA	1
2	4		DB64-02525C	CABINET-INSTALL BACK; RC160MHXEA,EGI-SECC	SA	1
3	4	A2609	DB90-05876G	ASSY CABI BACK-RH; AC048KXADGC/TL,UB2	SA	1
4	3	A2620	DB90-05878G	ASSY CABI FRONT-LF; AJ048TXJ5CH/AA,FJM UB	SA	1
4-1	4		DB63-02696B	GUARD-FAN; RC100PHXEA,PP+TD20%,EARTH BROW	SA	2
5	3	A0212	DB90-05902E	ASSY CABINET-TOP; RC090MHXEA,EHS MONO	SA	1
6	3		DB63-02706D	GUARD COND; RC100ZHXEA,MSWR-SWRM,EARTH BR	SA	1
7	3	A2608	DB90-11587A	ASSY CABI FRONT-RH; AJ048TXJ5CH/AA	SA	1
8	3		DB90-11588B	ASSY PLATE-CONTROL; AJ048TXJ5CH/AA	SA	1
9	3	A1748	DB94-02697F	ASSY PARTITION; AC048KXADGC/TL,UB2	SA	1
10	2		DB32-00199D	SENSOR TEMP; SMH250-08L,L1200,10kohm,3%,2	SA	1
11	2		DB47-00075A	HEATER SHEATH; AC230V,RAC Nordic UB1 Chas	SA	1
12	2		DB61-05376A	HOLDER-HEATER; RC160MHXEA,STS316L,W15,L26	SA	4
13	2	S0242	DB81-00635A	SPRING ETC-SENSOR; DVM-SYSTEM,STS304,ID2.	SA	2
14	2		DB92-05176A	ASSY PBA KIT-OUT MODULE; OUTDOOR,AJF600E,	SNA	1
15	2	A0630	DB93-08235M	ASSY CONNECTOR WIRE-COMP; 3,3343,12,RED,H	SA	1
16	2		DB94-08779A	ASSY FAN OUT-MODULE; ASSY FAN PROPELLER D	SNA	2
16-1	3	M0039	DB31-00579A	MOTOR FAN; 125W,DC310V,CLASS E	SA	2
16-2	3		DB94-06687A	ASSY FAN PROPELLER; AC071MXADKH/EU,ASSY	SA	2
17	2	S0019	DB60-00150A	SCREW-SPECIAL; HWH,M4,L26,ZPC(WHT),SWRCH1	SA	8
18	2		DB60-00405A	FASTENER-WASHER; RC100ZHXEA,SWRCH10A,M8	SA	2
19	3	A2803	DB90-05875B	ASSY BRACKET MOTOR; RC100PHXEA,R410A	SA	1
20	2		DB97-18601A	ASSY PACKING CASE ASSESSORY; RJ100F5HXEA,	SNA	1
20-1	3	Z0165	DB63-10355C	SEAL DRAIN; -,CHLOROPRENE RUBBER,-,T2,W24	SA	3

No.	Lvl.	Loc.	Material Code	Description & Specification	SNA	Qty.
20-2	3	D0116	DB67-00806A	DRAIN-PLUG OUT; UH140GAV,HDPE,-,-,-,-,NAT	SA	1
20-3	3	Z0166	DB73-20134A	RUBBER-LEG; V2-MD,NBR,T10,BLACK	SA	4
20-4	3		DB96-16155A	ASSY TUBE; RJ100F5HXEA,FJM2	SA	3
20-4-1	4	N0027	DB60-30010B	FASTENER-NUT FLARE; AR12RV3HEWKXNA,BRASS,	SA	3
20-5	3		DB96-16155B	ASSY TUBE; RJ100F5HXEA,FJM2	SA	2
20-5-1	4	N0027	DB60-30010D	FASTENER-NUT FLARE; -,BRASS,-,-,-,-,-,-,-	SA	2
21	2	S0018	DB60-30028A	NUT-FLANGE; HWH,M8,ZPC(WHT),SWRCH18A,P1.2	SA	3
22	2		DB94-08865B	ASSY FELT-MODULE; FJM,DB63-03164A,DB63-03	SNA	1
22-1	3		DB63-03164A	FELT-COMP TOP IN; -,EVAR/FELT,T11.5,W153,	SA	1
22-2	3		DB63-03042A	FELT-COMP SIDE; DVM S,EVAR/FELT,T11.5,W33	SA	1
23	2		DB96-14661B	ASSY COND-MODULE; UB2	SA	1
24	2		DB95-05799A	ASSY COMP; AJ100RCJ5EG/EU,R32	SA	1
25	2		DB94-08864E	ASSY PATH-MODULE; FJM UB2,DB96-25040A,DB9	SNA	1
25-1	3		DB96-25040A	ASSY TUBE 4WAY; AJ048TXJ5CH/AA	SA	1
25-1-1	4	S0247	DB33-00002K	SOLENOID-COIL ASSY; 220V	SA	1
25-1-2	4	N0027	DB60-30010A	FASTENER-NUT FLARE; -,BRASS,-,-,-,-,-,-,-	SA	1
25-1-3	4	V0010	DB62-02838A	VALVE 4WAY; COMMON,3.5	SA	1
25-1-4	4	A0316	DB96-14716A	ASSY-ACCUMULATOR; RC100PHXEA,1600CC	SA	1
25-2	3		DB96-25041E	ASSY TUBE SERVICE-BRACKET; AJ036TXS4CH/AA	SA	1
25-2-1	4		DB32-00278E	SENSOR TEMP; WB20L-024-411/WHT,L950,10koh	SA	1
25-2-2	4	S0242	DB81-00635A	SPRING ETC-SENSOR; DVM-SYSTEM,STS304,ID2.	SA	8
25-2-3	4		DB90-05874B	ASSY BRACKET-VALVE; RC100PHXEA,ManU	SA	1
25-2-4	4		DB96-25042B	ASSY TUBE EEV-JOINT; AJ036TXS4CH/AA	SA	1
25-2-5	4		DB96-25043E	ASSY TUBE EEV; AJ036TXS4CH/AA,Sanhua T-ty	SA	1
25-2-5-1	5		DB62-12108A	VALVE SERVICE-SPINDLE; T-TYPE, NO PORT,R4	SA	1
25-2-5-2	5		DB62-11418B	VALVE EXPAN; STS304,T-type,53.2,1.4mm,500	SNA	4
25-2-5-3	5		DB67-00281B	NIPPLE; RVPC035B2M0,C3771,-,-,-,L37,-,1/4	SA	4
25-2-5-4	5		DB96-25420F	ASSY VALVE-EXPANSION; H/P,UB2,L800,RED	SA	1

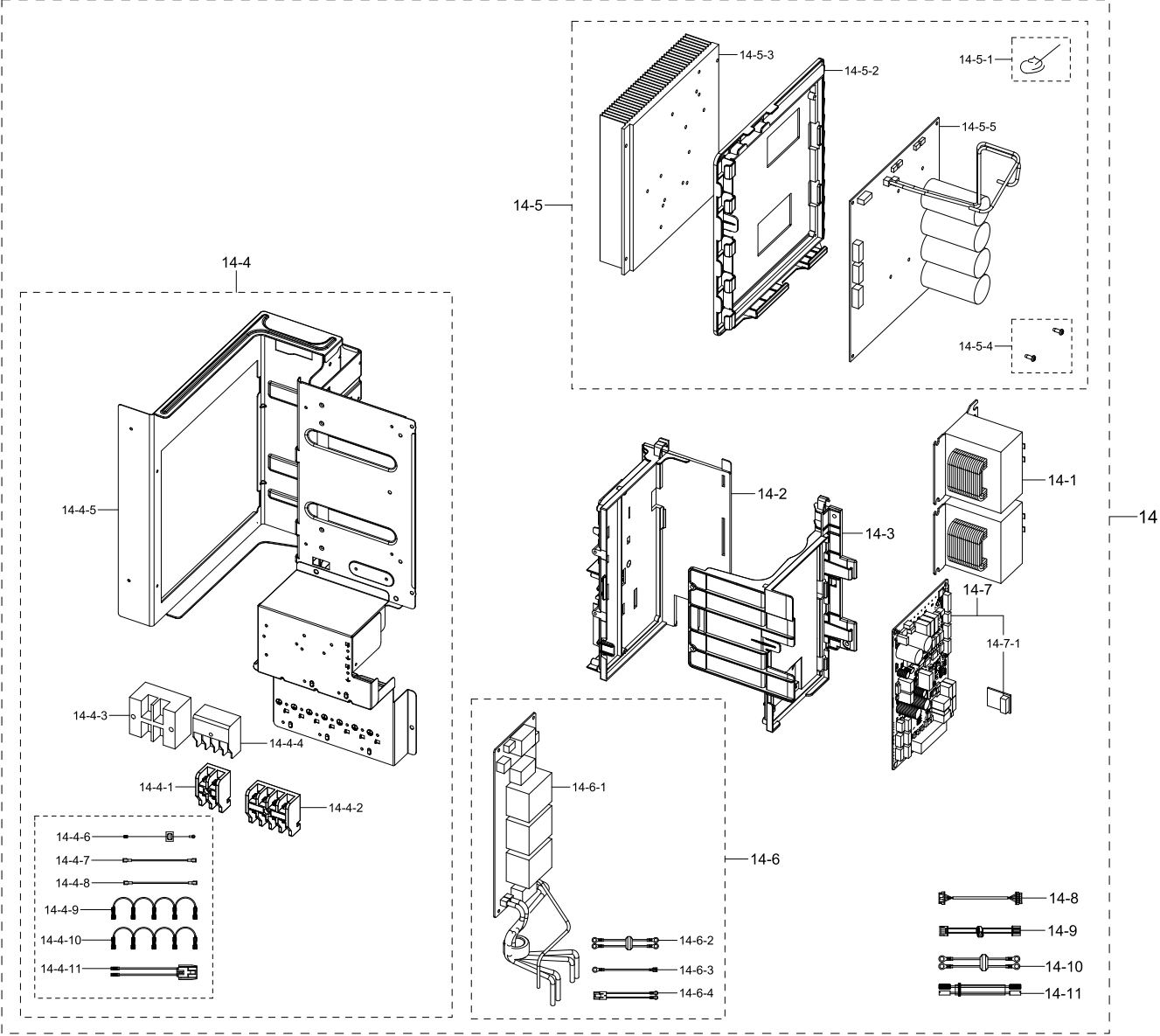
## Exploded Views and Parts List

No.	Lvl.	Loc.	Material Code	Description & Specification	SNA	Qty.
25-2-5-4-1	6		DB62-11421D	VALVE COIL EXPAN; DC12V,COIL,1000mm,MOLDI	SA	1
25-2-5-5	5		DB96-25420G	ASSY VALVE-EXPANSION; H/P,UB2,L850,YELLOW	SA	1
25-2-5-5-1	6		DB62-11421D	VALVE COIL EXPAN; DC12V,COIL,1000mm,MOLDI	SA	1
25-2-5-6	5		DB96-25420H	ASSY VALVE-EXPANSION; H/P,UB2,L900,BLUE	SA	1
25-2-5-6-1	6		DB62-11421D	VALVE COIL EXPAN; DC12V,COIL,1000mm,MOLDI	SA	1
25-2-5-7	5		DB96-25420J	ASSY VALVE-EXPANSION; H/P,UB2,L950,BLACK	SA	1
25-2-5-7-1	6		DB62-11421D	VALVE COIL EXPAN; DC12V,COIL,1000mm,MOLDI	SA	1

# 2. ASSY PBA KIT-OUT MODULE

## ASSY PBA KIT-OUT MODULE

### Exploded View



**Parts List**

No.	Lvl.	Loc.	Material Code	Description & Specification	SNA	Qty.
14	2		DB92-05176A	ASSY PBA KIT-OUT MODULE; OUTDOOR,AJF600E,	SNA	1
14-1	3		DB27-00100A	COIL HARMONIC; 5mH,86.0x94.5xTmm,20A,-	SA	2
14-2	3		DB61-04502D	CASE-EMI; RC090MHXEA,HIPS,L0,NATURAL,VE-1	SA	1
14-3	3		DB61-05743A	CASE-PCB; AM053FXMDCH/AA,HIPS,T2,L243.3,N	SA	1
14-4	3		DB90-11593A	ASSY PLATE-CONTROL; AJ048TXJ5CH/AA,FJM UB	SA	1
14-4-1	4		DB37-00036A	TERMINAL BLOCK; 2P(4SCREW),MELAMINE,600V,	SA	1
14-4-2	4		DB37-00037A	TERMINAL BLOCK; 4P(8SCREW),MELAMINE,600V,	SA	1
14-4-3	4		DB37-00038A	TERMINAL BLOCK; DATA 60A-2P-M,MELAMINE,60	SA	1
14-4-4	4		DB65-00304B	TERMINAL BLOCK; 4P(8SCREW),PBT,300V,25A,4	SA	1
14-4-5	4		DB90-05889F	ASSY CASE CONTROL; AJ048TXJ5CH/AA,FJM UB2	SA	1
14-4-6	4	A0646	DB93-10906C	ASSY CONNECTOR WIRE-EARTH; 1,1015,18,YEL/	SA	1
14-4-7	4	A3088	DB93-11280A	ASSY CONNECTOR WIRE-TERMINAL BLOCK; 1,101	SA	2
14-4-8	4	A3088	DB93-11280B	ASSY CONNECTOR WIRE-TERMINAL BLOCK; 1,101	SA	2
14-4-9	4		DB93-11914E	ASSY CONNECTOR WIRE-UB1 POWER JUMP; 4,101	SA	1
14-4-10	4		DB93-11914F	ASSY CONNECTOR WIRE-UB1 POWER JUMP; 1,101	SA	1
14-4-11	4		DB93-12145A	ASSY CONNECTOR WIRE-T B POWER TO EMI; 2,1	SA	1
14-5	3		DB92-04539A	ASSY KIT; PF#5,E1-PJT,INV Platform,Standa	SA	1
14-5-1	4		0205-000178	GREASE-SILICON; YG6111,WHITE, for assembl	SA	0.007
14-5-2	4		DB61-06473A	CASE PCB; AC145JX4PHH1,ABS,L269.4,NATURAL	SA	1
14-5-3	4	H0034	DB62-12094A	HEAT SINK; NEW PLATFORM #5,A1,10,200,192,	SA	1
14-5-4	4	A2876	DB91-00307A	ASSY-SCREW MACHINE; WW-INV,M4*16,WSP,PH,+	SA	4
14-5-5	4		DB92-04536A	ASSY PCB INVERTER; INVERTER,E1-PJT,242X19	SA	1
14-6	3		DB92-04635B	ASSY KIT; OUTDOOR,FJM,EMI PBA,POWER WIRE,	SNA	1
14-6-1	4	A1781	DB93-13593A	ASSY PCB SUB-EMI; SUB,CAC-07,230*90,-,-,-	SA	1
14-6-2	4	A0664	DB93-13687C	ASSY CONNECTOR WIRE-POWER; 2,1015,12,BRN,	SA	1

No.	Lvl.	Loc.	Material Code	Description & Specification	SNA	Qty.
14-6-3	4	A0646	DB93-13692B	ASSY CONNECTOR WIRE-EARTH; 1,1015,16,YEL/	SA	1
14-6-4	4	A0664	DB93-16998A	ASSY CONNECTOR WIRE-POWER; 2,1015,12,BRN,	SA	1
14-7	3	A0743	DB92-05167A	ASSY PCB MAIN-OUT; MID_MAIN_ABOV,AJF600E,	SA	1
14-7-1	4		DB93-12483A	ASSY PCB SUB-EEPROM; SUB,DVMPLUS4 UP,20*2	SA	1
14-8	3	A2934	DB93-04273B	ASSY CONNECTOR WIRE-COMM; 6,2095,26,BLU,S	SA	1
14-9	3	Z0154	DB93-10809A	ASSY CONNECTOR WIRE-EMI TO MAIN POWER; 2	SA	1
14-10	3	A0664	DB93-13687A	ASSY CONNECTOR WIRE-POWER; 2,1015,12,BRN,	SA	1
14-11	3	A2610	DB93-15686A	ASSY CONNECTOR WIRE-REACTOR; 2,3343,12,BL	SA	2