

ULTRA LED™ RT5/6 HO

Recessed Downlight Kit



SYLVANIA ULTRA RT5/6 HO is a universal input voltage 5" and 6" compatible LED recessed downlight kit that creates high performing white light and is optimized for new construction and retrofit applications utilizing pin based compact fluorescent lamps. Installation is done quickly and easily in most standard six-inch frames.

The RT5/6 HO downlight is offered in 650 lumen, 700 lumen, 900 lumen and 1500 lumen options and achieves up to 88 lumens per watt.

The RT5/6 HO is designed to deliver light output comparable to traditional 1x13W, 1x18W, 1x26W and 2x26W pin based compact fluorescent luminaires.

Application Information

Application Notes

1. Operating temperature range between -4°F and +104°F (-20°C and +40°C).
2. Suitable for dry, damp or wet indoor or outdoor locations.
3. Compatible with Philips Bodine ELI-S-20 Emergency Lighting Micro Inverter.
4. Designed to install in standard 6" CFL mounting frame. For a list of compatible housings, please refer to www.sylvania.com/RT6.
5. For detailed warranty information, please see www.sylvania.com/RT6.
6. The RT5/6HO 650 and 700 lumen is compatible with 120V Phase cut dimmers and 277V Leviton Dimmer model IPX06-70Z .
7. The RT5/6 HO 900 and 1500 lumen are compatible with Leviton 0-10V dimmer model IP710-DL.
8. For installation in non-insulated ceilings: If insulation is present, it may be placed around the retrofit kit as long as a three-inch space is maintained around the kit.
9. Installation performed as a stand-alone kit (without frame) is recommended for hard ceiling. Installation of a recessed incandescent frame is recommended for tiled ceiling application for proper support of the retrofit kit.

Key Features & Benefits

- Three input voltages:
 - 120V
 - 120-277V Universal
 - 347V
- Lumen package:
 - 650 lumens @ 8 watts (line voltage dimmable)
 - 700 lumens @ 8 watts (line voltage dimmable)
 - 900 lumens @ 13 watts (0-10V Dimmable)
 - 1500 lumens @ 17 watts (0-10V Dimmable)
- Replacement for 13W, 18W, 26W and 32W CFL pin based lamps
- Fits in standard 5" and 6" CFL mounting frame
- CCT: 2700K, 3000K, 3500K & 4000K
- CRI of >80 and >90
- 35,000 and 50,000 hour life (L₇₀)
- Suitable for dry, damp and wet indoor or outdoor locations (650lm Indoor only)
- UL1598 Listed and Classified for stand-alone and retrofit applications
- Reduces energy consumption up to 34%
- Lasts up to 4 times longer than compact fluorescent lamps
- No warm-up time, instant-on with full light output and stable lamp to lamp color
- Integrated white trim and metal conduit adaptor (included) for direct replacement
- Suitable for use in 8" applications using optional trim extender accessory

Product Offering

Ordering Abbreviation	Wattage	CCT
LED/RT5/6/HO/650	8	3000K, 4000K
LED/RT5/6/HO/700	8	2700K, 3000K, 3500K, 4000K
LED/RT5/6/HO/900	13	2700K, 3000K, 3500K, 4000K
LED/RT5/6/HO/1500	17	3000K, 3500K, 4000K

Specifications and Certifications



Specification Data

Catalog #	Type
Project	
Comments	
Prepared by	

Specifications

Energy Data

Minimum Starting Temp: -20°C (-4°F)

EMI/RFI: RT6/HO 1500 lumen: FCC Title 47 CFR,

Part 15, Class B

RT6/HO 900 lumen: FCC Title 47 CFR, Part 15, Class A

Sound Rating: <24dBA

Input Voltage: 120-277V

Power Factor: >0.90

Input Frequency: 60Hz

THD: <20%

**Maximum Ambient Operating Temperature
(Non-Insulated Ceiling):** 40°C (104°F)

Lighting Data

Lumen Output: 650, 700, 900 and 1500

Color

Color Rendering Index (CRI): >80 and >90

Ordering Information

Item Number	Ordering Abbreviation	Recessed Housing	Replaced CFL Wattage	Nominal Wattage (W)	Delivered Light Output (lm)	Input Voltage	LPW	Color Temperature	Avg. Rated Life (hrs)*	Packaging Configuration	Dimmable
75331	LED/RT5/6/650/930	5" and 6"	13W	8	650	120V	72	3000K	35,000	2/case	YES (Phase Cut)
75332	LED/RT5/6/650/940	5" and 6"	13W	8	650	120V	72	4000K	35,000	2/case	YES (Phase Cut)
75228	LED/RT5/6/HO/700/827	5" and 6"	13W	8	700	120-277V	87	2700K	50,000	4/case	YES (Phase Cut)
75229	LED/RT5/6/HO/700/830	5" and 6"	13W	8	700	120-277V	87	3000K	50,000	4/case	YES (Phase Cut)
75230	LED/RT5/6/HO/700/835	5" and 6"	13W	8	700	120-277V	87	3500K	50,000	4/case	YES (Phase Cut)
75231	LED/RT5/6/HO/700/840	5" and 6"	13W	8	700	120-277V	87	4000K	50,000	4/case	YES (Phase Cut)
75137	LED/RT5/6/HO/900/827	5" and 6"	18W	13	900	120-277V	69	2700K	50,000	4/case	YES (0-10V Low Voltage)
75138	LED/RT5/6/HO/900/830	5" and 6"	18W	13	900	120-277V	69	3000K	50,000	4/case	YES (0-10V Low Voltage)
75140	LED/RT5/6/HO/900/835	5" and 6"	18W	13	900	120-277V	69	3500K	50,000	4/case	YES (0-10V Low Voltage)
75139	LED/RT5/6/HO/900/840	5" and 6"	18W	13	900	120-277V	69	4000K	50,000	4/case	YES (0-10V Low Voltage)
75327	LED/RT5/6/HO/900/840/347V	5" and 6"	18W	13	900	347V	69	4000K	50,000	4/case	NO
72528	LED/RT5/6/1500/HO/830	5" and 6"	26W & 32W	17	1500	120-277V	88	3000K	50,000	4/case	YES (0-10V Low Voltage)
72529	LED/RT5/6/1500/HO/835	5" and 6"	26W & 32W	17	1500	120-277V	88	3500K	50,000	4/case	YES (0-10V Low Voltage)
72530	LED/RT5/6/1500/HO/840	5" and 6"	26W & 32W	17	1500	120-277V	88	4000K	50,000	4/case	YES (0-10V Low Voltage)
75328	LED/RT5/6/HO/1500/840/347V	5" and 6"	26W & 32W	17	1500	347V	88	4000K	50,000	4/case	NO

*LED lamp life is defined as the number of hours when 50% of an average group of identical lamps reached 70% of its initial lumens.

Ordering Guide

LED	/	RT5/6	/	1500	/	HO	/	8	/	30
LED		Product Name RT5/6 5/6 = fits 5" and 6" frames		Light Output 1500lm, 900lm, 700lm, 650lm		High Output		CRI >80		Color Temperature 2700K, 3000K, 3500K, 4000K

Energy Savings

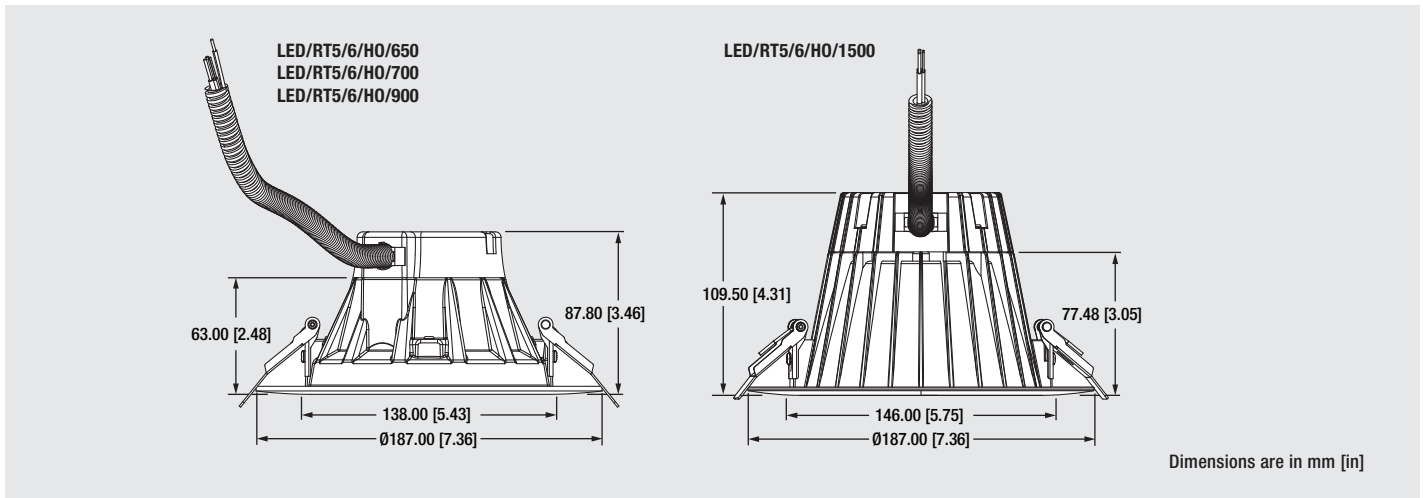
Basic Product Description	LED Lumens	LED Life	Traditional Lamp Types	Lumens	Life	Watts Saved With RT6	RT6 Energy Savings*	RT6 Life Benefit
RT5/6 HO 8W	700	50,000	13W CFL DD, DT	800	16,000	5	\$27	3X
RT5/6 HO 13W	900	50,000	18W CFL DD, DT	1200	16,000	5	\$27	3X
RT5/6/HO 17W	1500	50,000	26W CFL DD, DT	1800	16,000	9	\$49	3X
RT5/6/HO 17W	1500	50,000	32W CFL DD, DT	2400	16,000	15	\$82	3X

* Based on \$0.11/kWh over 50,000 hours life.

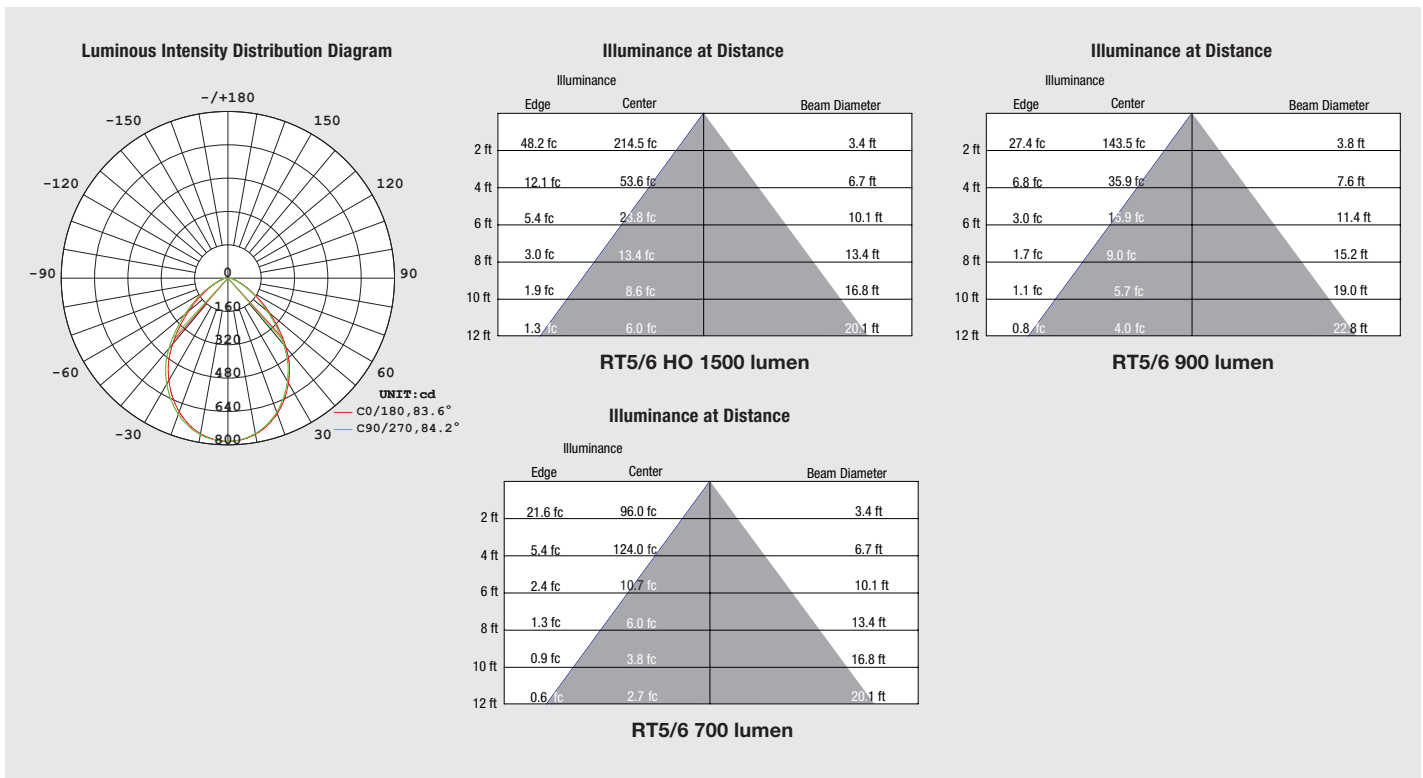
Accessories

RT5/6 Retrofit Trim		Trim Ring Extender		Rough In Frame	
75095	RT/5/6/TRIM/DKBZ	75082	RT6/8/TRIMEXT	71708	LED/RT6HO/FRAME
75097	RT/5/6/TRIM/BLK				
75098	RT/5/6/TRIM/ORBZ				
75099	RT/5/9/TRIM/SN				

Assembly Diagram



Photometric Information



LEDVANCE LLC
 200 Ballardvale Street
 Wilmington, MA 01887 USA
 Phone 1-800-LIGHTBULB (1-800-544-4828)
 www.sylvania.com

SYLVANIA and LEDVANCE are registered trademarks.
 All other trademarks are those of their respective owners.
 Licensee of product trademark SYLVANIA in general lighting.
 Specifications subject to change without notice.

[/sylvania](#) [/sylvania](#)

