

**LENOXX**

BTD300

**Bluetooth® 300 WATT  
ENTERTAINMENT SYSTEM**

**NEW  
DUAL SYSTEM**

- BLUETOOTH x2
- FM STEREO x2
- MICROPHONE INPUTS x2
- VOLUME DIALS x2
- USB PORTS x2
- SD SLOTS x2



Lenoxx Electronics Aust Pty Ltd  
[www.lenoxx.com.au](http://www.lenoxx.com.au)  
Customer Service: 1300666848



The lightning flash with the arrowhead symbol within an equilateral triangle is intended to alert the user to the presence of "uninsulated dangerous voltage" within the product's enclosure that may be of sufficient magnitude to constitute a risk of electric shock to a person.

The exclamation point within an equilateral triangle is intended to alert the user to the presence of important operating and maintenance (servicing) instructions in the literature accompanying the unit.

## Safety Precautions

Warning: To prevent fire or electric shock, do not expose this appliance to rain or moisture.

---

---

## IMPORTANT SAFEGUARDS

Caution: Please carefully read all of the following important safeguards to ensure safe operation.

1. Read Instructions:

All the safety and operating instructions should be read before the appliance is operated.

2. Retain Instructions:

The safety and operating instructions should be retained for future reference.

3. Follow Instructions:

All operating instructions should be followed.

4. Heed Warnings:

All warnings on the unit and the operating instructions should be adhered to.

5. Power Source:

The appliance should be connected based on instructions.

6. Heat:

Keep the unit away from heat sources such as radiators, refrigerators, stoves or other appliances that may radiate heat.

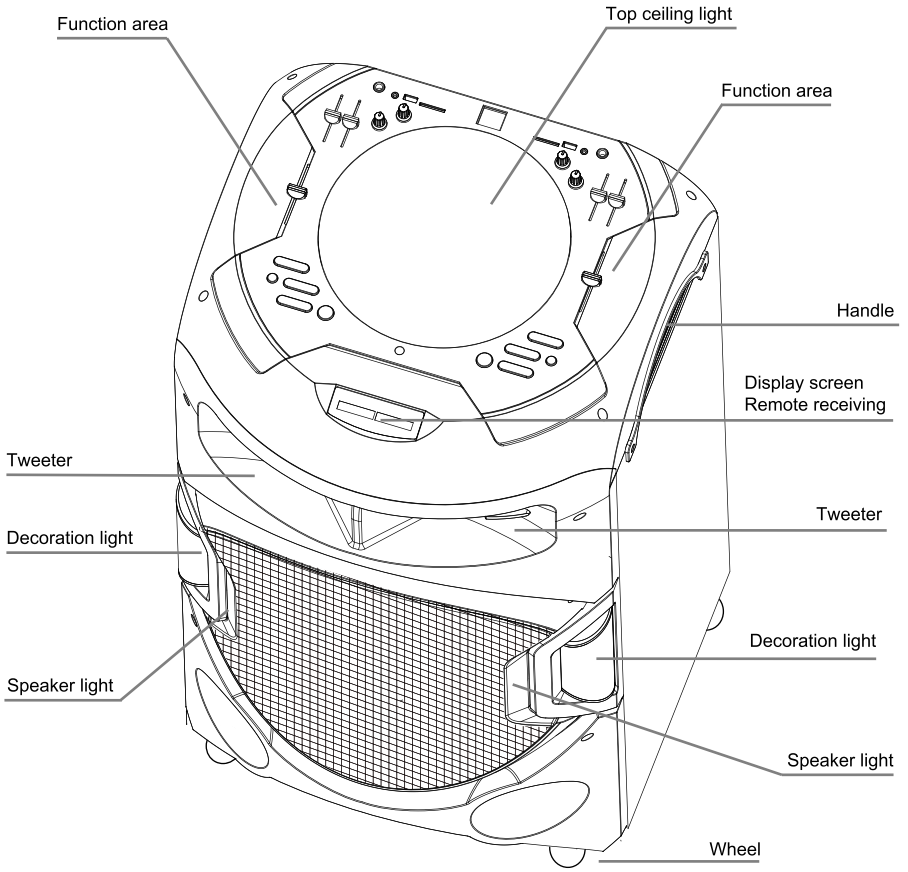
7. Non-use Periods:

The power cord of the unit should be unplugged from the outlet when you do not use it for a long time.

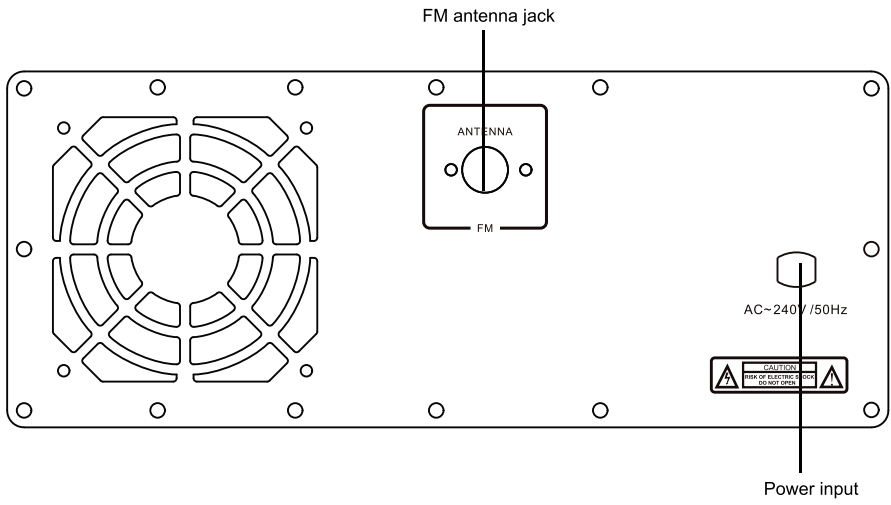
8. Damage requiring service:

The unit should be repaired by qualified service personnel in the following cases:

- The power plug or cable has been damaged;
- Objects have fallen or liquid has been spilled on the appliance;
- The appliance has been exposed to rain;
- The appliance is functioning abnormally.



# CONNECTIONS



## Accessories



REMOTE CONTROL



INSTRUCTION MANUAL



FM ANTENNA



AUDIO CABLE



REMOTE CONTROL BATTERY

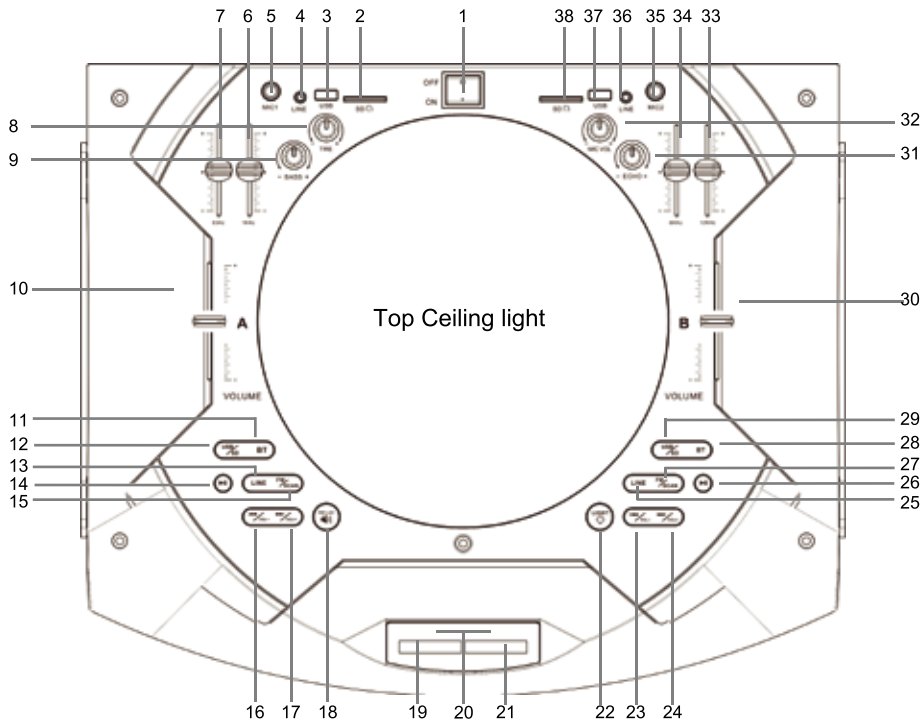


WARRANTY CARD



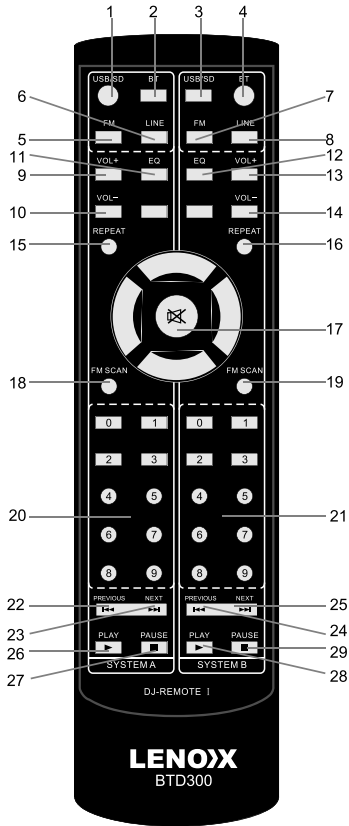
Customer Card

# FRONT PANEL-CONTROLS AND FUNCTIONS



- |  |  |
|--|--|
| <ol style="list-style-type: none"> <li>1. Power ON/OFF</li> <li>2.A System SD card input slot</li> <li>3.A System USB input slot</li> <li>4.A System Line input slot</li> <li>5.Microphone 1 input slot</li> <li>6.1KHz Equalizer</li> <li>7.63Hz Equalizer</li> <li>8.Treble increase/decrease</li> <li>9.BASS increase/decrease</li> <li>10.A System Volume control</li> <li>11.A System BT input key<br/>(BT searching name:BTD300 lenoxx A)</li> <li>12.A System USB/SD card input key</li> <li>13.A System Line input key</li> <li>14.A System Play/Pause key</li> <li>15.A System FM input key<br/>/long press for FM auto scan</li> <li>16.A System Previous key,<br/>long press for volume decrease</li> <li>17.A System next key,<br/>long press for volume increase</li> <li>18.Mute of whole unit</li> <li>19.A System LED display</li> </ol> | <ol style="list-style-type: none"> <li>20.Remote control receiver</li> <li>21.B System LED display</li> <li>22.LED switch ON/OFF:<br/>Unit power is ON ,aLL lights ON<br/>1st press: Top Ceiling light OFF / Speaker Light &amp; Decoration LED ON<br/>2nd press: Top Ceiling light ON / Speaker Light &amp; Decoration LED OFF<br/>3rd Press: All Lights OFF<br/>4th Press: All Lights ON<br/>Rotate Operation</li> <li>23.B System Previous key, long press for volume decrease</li> <li>24.B System next key, long press for volume increase</li> <li>25.B System Line input slot</li> <li>26.B System Play/Pause key</li> <li>27.B System FM input key<br/>/long press for FM auto scan</li> <li>28.B System BT input key<br/>(BT searching name:BTD300 lenoxx B)</li> <li>29.B System USB/SD card input key</li> <li>30.B System Volume control</li> <li>31.ECHO increase/decrease</li> <li>32.Microphone Volume increase/decrease</li> <li>33.12KHz Equalizer</li> <li>34.6KHz Equalizer</li> <li>35.Microphone 2 input slot</li> <li>36.B System Line input slot</li> <li>37.B System USB input slot</li> <li>38.B System SD card input slot</li> </ol> |
|--|--|

# REMOTE INSTRUCTION



1. A System USB/SD card input button
2. A System BT input button
3. B System USB/SD card input button
4. B System BT input button
5. A System FM input button
6. A System LINE input button
7. B System FM input button
8. B System LINE input button
9. A System volume increase
10. A System volume decrease
11. A System Equalizer
12. B System Equalizer
13. B System volume increase
14. B System volume decrease
15. A System play again
16. B System play again
17. Mute volume
18. A System auto scan for channels
19. B System auto scan for channels
20. A System USB/SD card song select
21. B System USB/SD card song select
22. A System previous song
23. A System next song
24. B System previous song
25. B System next song
26. A System play
27. A System Pause
28. B System play
29. B System Pause

# HOW TO USE BLUETOOTH CONNECTION

## Dual Bluetooth Speaker



### SYSTEM A

### SYSTEM B

#### 2 ways to enter or restart BT function

1. Press the "BT" input button on remote control system A
2. Press the "BT" button on top control panel system A

Speaker is in "Bluetooth" mode

#### Auto search and connect

Speaker will enter auto search; it will search for the last connected device.

Auto connect to the connected device

The unit will automatically connect to the last connected device that Bluetooth is open with in 20 metres in few seconds.

(Note: If device cannot be connected automatically, press the buttons "PLAY/PAUSE", "PREVIOUS", "NEXT" to activate Bluetooth and re-connect the device.)

When speaker cannot find the last connected device

Speaker can be connected with new device

Use the new device search and connect to "BTD300 lenoxx A"

#### Successful Connection

The BT connection is completed.



#### 2 ways to enter or restart BT function

1. Press the "BT" input button on remote control system B
2. Press the "BT" button on top control panel system B

Speaker is in "Bluetooth" mode

#### Auto search and connect

Speaker will enter auto search; it will search for the last connected device.

Auto connect to the connected device

The unit will automatically connect to the last connected device that Bluetooth is open with in 20 metres in few seconds.

(Note: If device cannot be connected automatically, press the buttons "PLAY/PAUSE", "PREVIOUS", "NEXT" to activate Bluetooth and re-connect the device.)

When speaker cannot find the last connected device

Speaker can be connected with new device

Use the new device search and connect to "BTD300 lenoxx B"

#### Successful Connection

The BT connection is completed.



## PRODUCT OVERVIEW



1-2: Two Handles

3-4: Two tweeters

5: 15 inch woofer with disco light

6-7: Two air outlets for exhaust, please do not cover.

8-11: Four wheels. the two wheels in front can be locked by pressing down the switch on wheels

Lenox Electronics (Aust) Pty Ltd  
6 Oban Court Laverton North 3026  
Tel: + 61 3 9267 2100 – Fax: + 61 3 9267 2199  
Email Address: lenoxx@lenoxx.com.au  
Web site: www.lenoxx.com.au