



8800 Series Mortise Lockset Knob, Lever, Reflections® and Security Trims Installation Instructions

IMPORTANT: The accuracy of the door preparation is critical for the proper functioning and security of this mortise lock. Misalignment can cause premature wear and tear and a lessening of security.

⚠ WARNING

This product can expose you to lead which is known to the state of California to cause cancer and birth defects or other reproductive harm. For more information go to www.P65warnings.ca.gov.

Tools Required

- 1/8" (3.2mm) allen wrench
- #2 phillips screw driver

See hole chart for hole saws needed for your particular application.

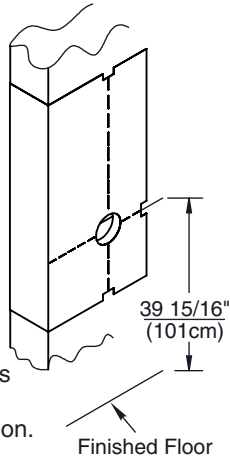
Attention Installer

If installation instructions are not followed this may result in damage to the lock and void the factory warranty. Removing cover screws voids lock body warranty.

Any retrofit or other field modification to a fire rated opening can potentially impact the fire rating of the opening, and Yale Locks & Hardware makes no representations or warranties concerning what such impact may be in any specific situation. When retrofitting any portion of an existing fire rated opening, or specifying and installing a new fire-rated opening, please consult with a code specialist or local code official (Authority Having Jurisdiction) to ensure compliance with all applicable codes and ratings.

Mark and drill door

Mark horizontal line across face of door. 39-15/16" (101cm) is the usual lever height above the finished floor. Using template provided, fold template over edge of door, centering on horizontal line. Mark centers of holes. See Hole Function Chart to determine holes needed. See Hole Chart for drill sizes needed. Drill holes that correspond to your application.

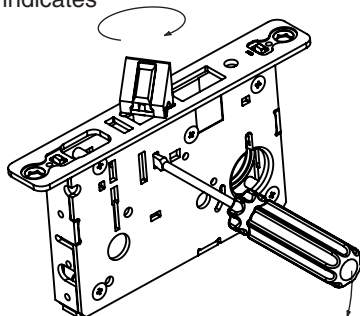


Handing the Latchbolt

1. Insert flat blade screwdriver into cover slot.
2. Pull back on screwdriver until latchbolt extends past base front and rotate the head to the desired position.

Handing the Hubs

1. Locate RED MARK on locking piece.
2. Push toggle button slide away from "square spindle hole".
3. With blade screw driver push RED MARK on slide nearest "square spindle hole".
4. RED MARK indicates locked side!



Hole Chart				Used For
Hole	Size			
	H.M. Door	Wood Door		
A	FL	1-1/8" Dia (29)	1-1/8" Dia (29)	Knobs and Levers
	SL	1-7/8" (48)	1-7/8" (48)	
B	1-1/4" (32)	1-1/4" (32)		Cylinder
C	3/4" Dia (19)	3/4" Dia (19)		Thumbturn or Emergency Key
D	3/4" Dia (19)	3/4" Dia (19)		Hotel Indicator and Visual Indicator
E	5/16" (8)	5/16" (8)		Rose
For attachment holes, see page 4 for details.				Standard Thumbturn Reflections Thumbturn & Coin Turn Assemblies
G	1/2" Dia (13)	1/2" Dia (13)		Escutcheon Plate Thru-Bolted
J	.152" Dia (3.9) #24 Drill	11/64 x 1 Dp (4.4 x 25) C'bore 1/2 x 1/8 Dp. (13 x 3)		Surface Escutcheon Plate Attaching Screws
K	.116" Dia (2.9) #32 Drill	1/16" Dia (1.6)		Visual Indicator
	Install Thumbturn Assemblies and IND Assembly on door. See page 4.			

HOLE CHART FOR 838A AND 838B

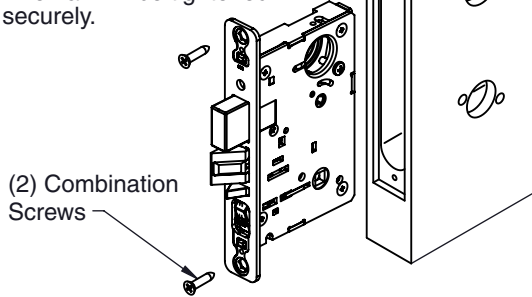
	SECTIONAL TRIM		THRU-BOLTED ESC.	
	OUTSIDE	INSIDE	OUTSIDE	INSIDE
	A,E	A,E	A,G	A,G
1/2 TRIM	NONE	A,E	NONE	A,J

HOLE CHART	LOCK FUNCTION (KNOB, FL, RL and SL)			
	SECTIONAL TRIM OUTSIDE	SECTIONAL TRIM INSIDE	THRU-BOLTED ESC. OUTSIDE	THRU-BOLTED ESC. INSIDE
8801 8870DT 8871DT 8872DT				
8880 8881 8884 8885 836A&B 838A&B	A,E	A,E	A,G	A,G
8802 8865	A,C,E,F	A,C,E,F	A,C,G	A,C,G
8805 8807 8808 8824 8831	A,B,E	A,E	A,B,G	A,G
8890 8891	A,B*E	A,B*E	A,B*G	A,B*G
8808-2 8811-2 8812-2 8817-2 8818-2 8830-2 8860-2 8894-2 8895-2 8896-2 8897-2 8898-2 8899-2	A,B,E	A,B,E	A,B,G	A,B,G
8820 8827	A,B,D,E	A,C,E,F	A,B,D,G	A,C,G
8809 8822 8832 8840 8847 8860 8861 8867 8896 8897 8898 8899	A,B,E	A,C,E,F	A,B,G	A,C,G
8813ST 8815	B	C	B,G	C,G
8828	NONE	A,E	NONE	A,J**
8833	B ONLY	A,E	B ONLY	A,J**
8823 8829	A,B,E	NONE	A,B,G	G
8813ST-2	B	B,C	B,G	B,C,G
8814	B	NONE	B,G	G
8814-2 8833-2	B	B	B,G	B,G
8835 8862	A,E,***	A,C,E,F	A,G,***	A,C,G
8834 8834-2	B	A,B,E	B,G	A,B,G
8864	A,B,C,E	A,C,E,F	A,B,C,G	A,C,G



Install Lock

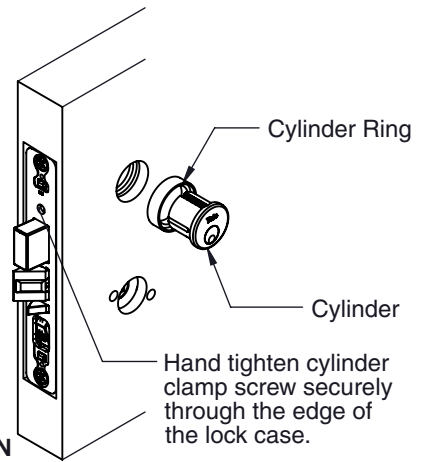
Insert lock in door.
(Be sure bevel of bolt faces strike plate.)
Attach with 2 combination screws. Leave attaching screws loose until the end when all will be tightened securely.



Install Cylinder

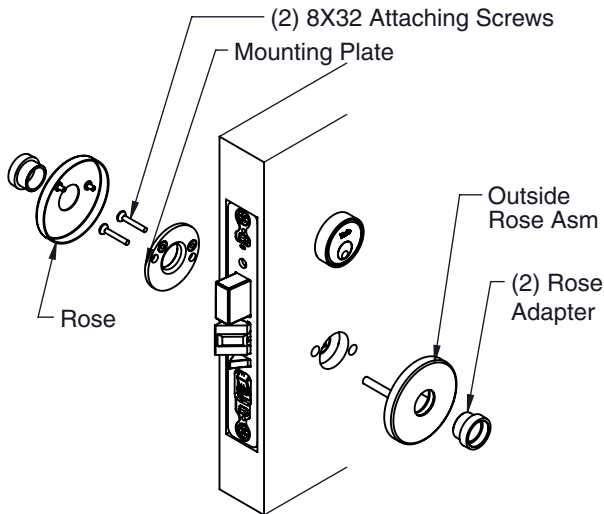
(If applicable)
Insert cylinder through the cylinder ring, door and into lock.

NOTE:
DO NOT USE POWERED SCREW DRIVERS TO TIGHTEN CYLINDER SET SCREW.



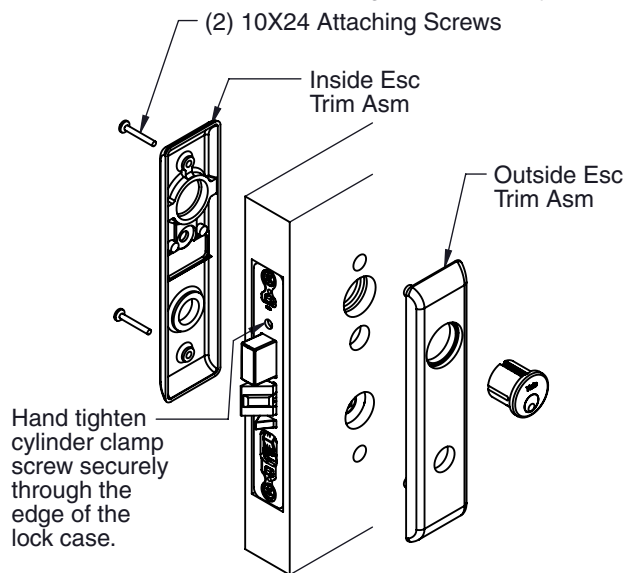
Install Yale Rose Trim - all types

(If applicable)
Insert outside rose asm (w/posts) through the door and into lock. Align and fasten inside mounting plate with screws to posts. Tighten screw securely. Align and press rose posts to plastic bushings on mounting plate.



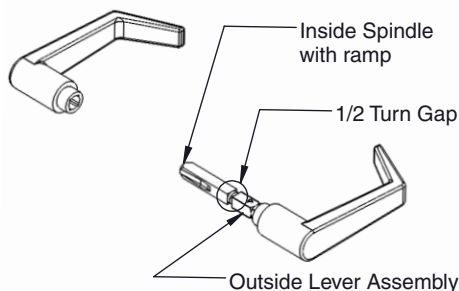
Install Yale Escutcheon Trim - all types except SL (If applicable)

Insert outside escutcheon asm (w/posts) through the door and into lock. Align and fasten inside escutcheon with screws to posts. Align and fasten cylinder through escutcheon/s and into lock body. Leave attaching screws loose until the end when all will be tightened securely.



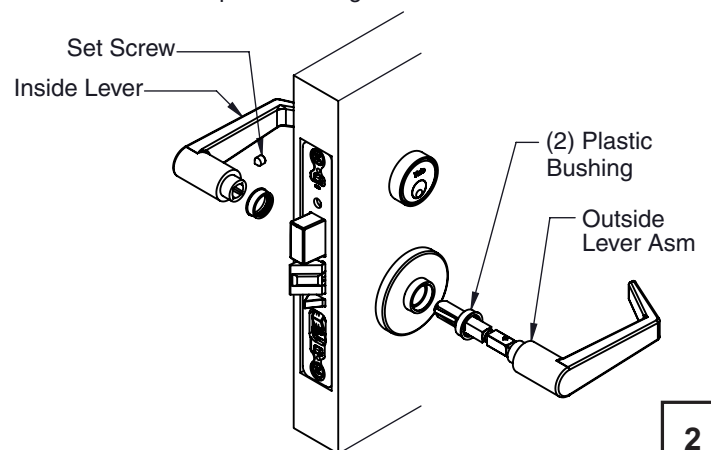
Prepare Lever or Knob Assembly - not including SL Trim

Remove from packaging and remove inside lever/knob. Unscrew the inside spindle from the outside lever assembly 1/2 turn and align the ramp in the horizontal position before inserting into the lock.



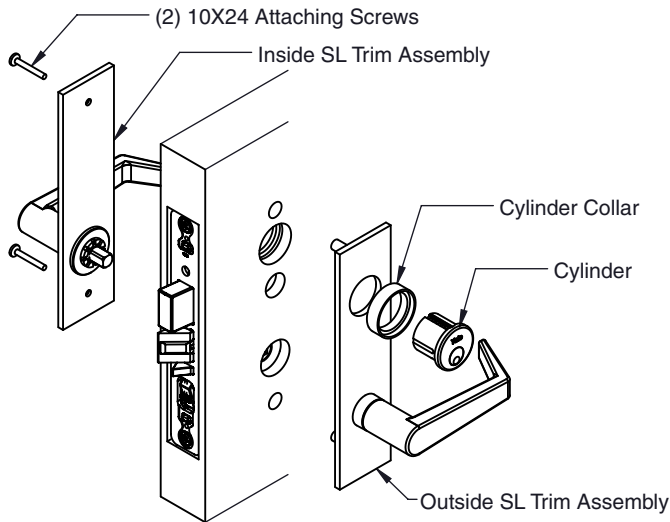
Install Lever Asm or Knob Asm - on Rose and Escutcheon Trims not including SL Trim

Insert outside lever asm through the rose or escutcheon trim and through the lockbody. Insert inside lever onto the outside lever asm spindle and tighten inside lever set screw.



Install SL Escutcheon Trim

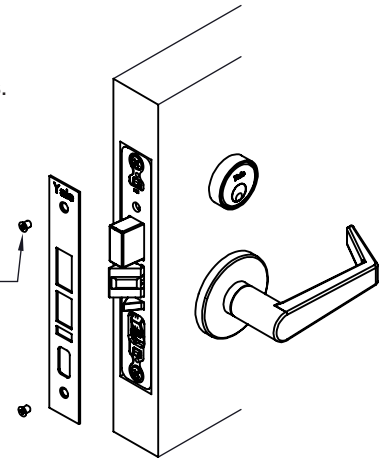
Insert outside escutcheon assembly (with posts) through the door and into lock. Align and fasten inside escutcheon with screws to posts. Align and fasten cylinder and cylinder collar through escutcheon(s) and into lock body.



Install Armor Front

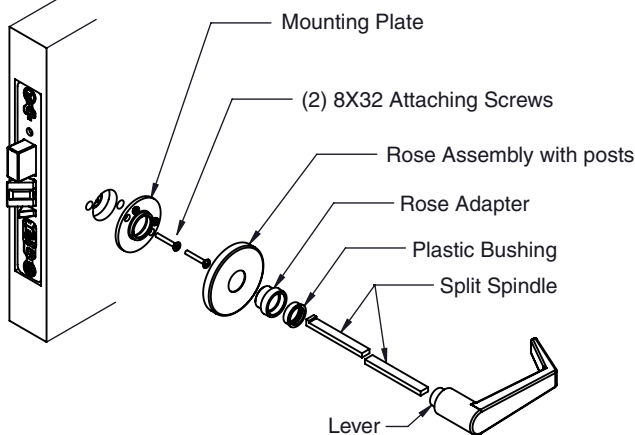
Align armor front to front of lockbody and attach screws.

(2) 8X32 FHPMS U-Cut Attaching Screws



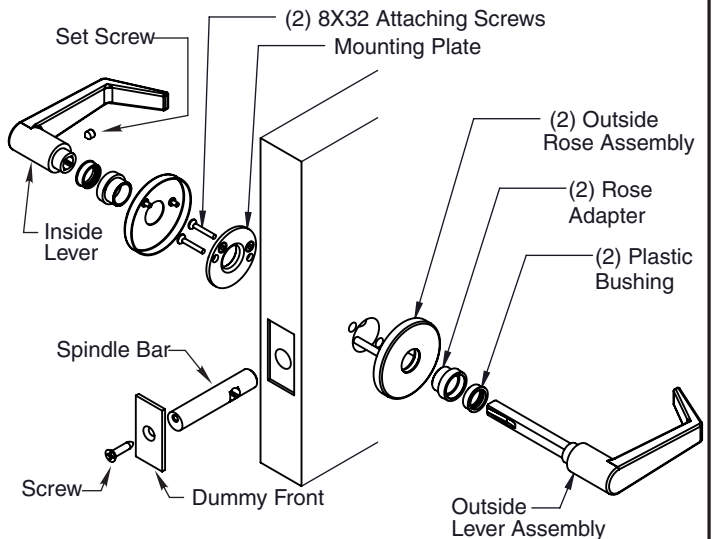
Install Single Sided Active Trim

Align and securely fasten mounting plate and attaching screws to threaded posts in lockbody. Align and press rose posts to plastic bushings on mounting plate. Assemble rose adapter (not used on Reflections®) in rose assembly. Disassemble split spindles prior to installing into lock. Insert stepped spindle first, then insert non-stepped spindle. Insert lever on spindle assembly and tighten set screw located in the lever. See Install Armor Front to complete installation.



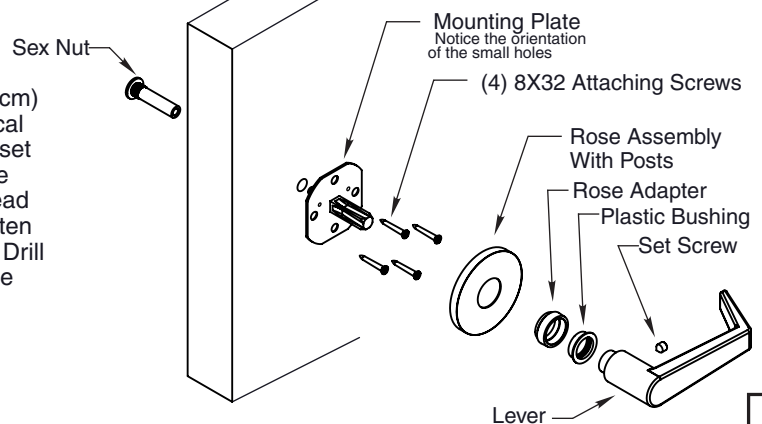
Install 838A Dummy Trim

Insert outside rose asm (w/posts) through the door and align and fasten inside mounting plate with screws. Align and press rose posts to plastic bushings on mounting plate. Slide spindle bar through edge of door (make sure that the screw hole is in the top position) and insert outside lever assembly through rose assembly and into square hole in spindle bar. Assemble inside lever to outside lever asm and tighten set screw located in inside lever. Attach dummy front to spindle bar with attaching screw.



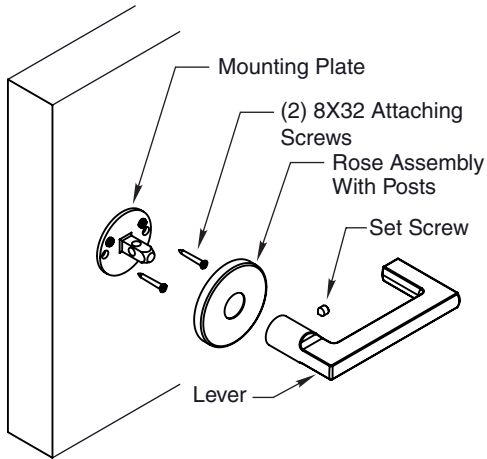
Install Standard Lever 855 Dummy Trim

Mark horizontal line across face of door. 39-15/16" (101 cm) is the usual lever height above finished floor. Mark vertical line on face of door. 2-3/4" (7 cm) is the usual lever backset from the centerline of the edge of the door. Mark the hole and drill with a 3/8" drill. Insert sex nut into door and thread mounting plate bolt into sex nut. Use lever handle to tighten spindle. Check that the lever will be level when installed. Drill pilot holes and fasten with four (4) attaching screws. Slide Rose and Rose Adapter onto spindle. Attach Lever and tighten set screw securely.



Install Reflections® Lever 855 Dummy Trim

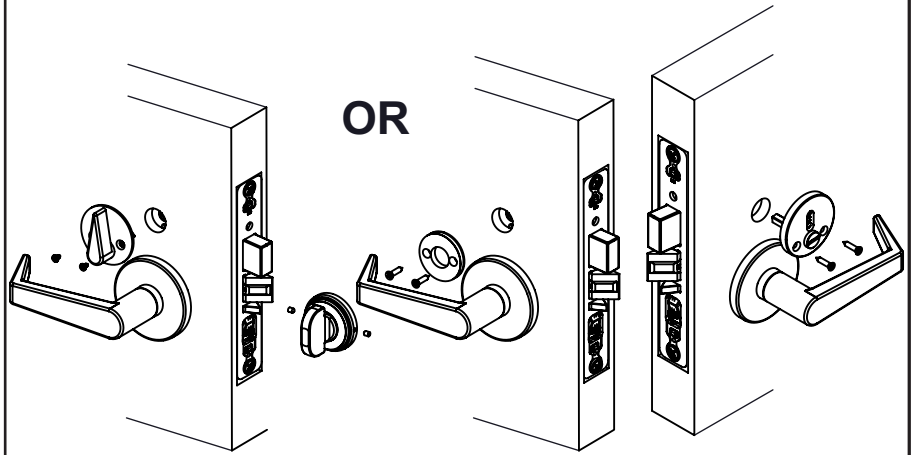
Mark horizontal line across face of door. 39-15/16" (101 cm) is the usual ever height above finished floor. Mark vertical line on face of door. 2-3/4" (7 cm) is the usual lever backset from the centerline of the edge of the door. Align mounting plate over the intersection. Mark holes through mounting plate. Drill pilot holes and fasten with two (2) attaching screws. Slide Rose onto spindle. Attach Lever and tighten set screw securely. Check that the lever will be level when installed.



Install Thumbturn Asm's and IND Asm on the door

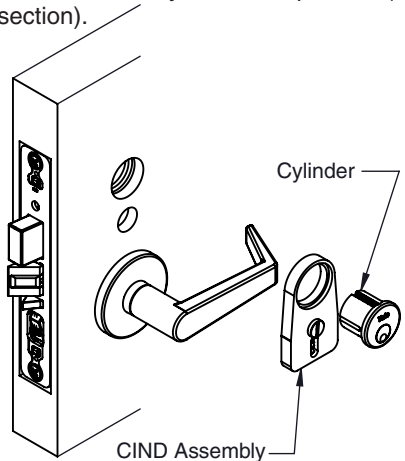
Note: Thumbturn Asm and IND Asm may be used together on opposite sides of the door. Drill holes indicated for the function to be installed. Install the lockbody in the mortise pocket (see Install Lockbody Section). Align the mechanism shaft thru hole D and into the square hub in the lockbody. Position the mounting plate/housing so the attaching screw holes are horizontal to the floor. Mark the holes with a punch and remove the assembly. Drill the marked holes with a Ø1/16" drill bit. Re-install the asm into the lockbody. Install and tighten attaching screws.

Standard Thumbturn Asm Reflections® Thumbturn Asm IND Asm



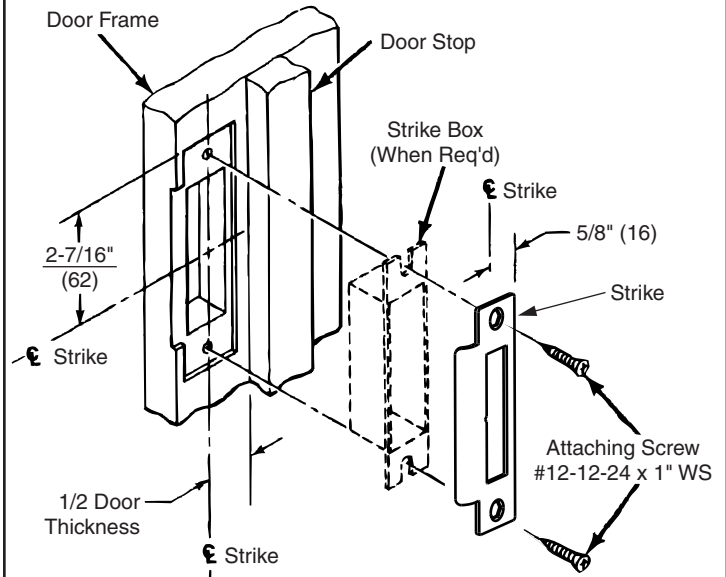
Install CIND Assembly on the door

Note: CIND Indicators may be used in conjunction with the thumbturn and most thumbturns are mounted on the egress side of the door. Drill holes indicated for the function to be installed (see Hole Chart). Install the lockbody in the mortise pocket (see Install Lockbody section). Align the CIND Assembly thru hole D and into the square hub in the lockbody. Install the cylinder securely and fasten the cylinder clamp screw (see Install Cylinder section).



Install Strike

Attach strike to jamb using #12 combination attaching screws.



Yale Locks & Hardware

Product Support Tel 800.438.1951 • www.yalelocks.com

Yale Locks & Hardware is a division of Yale Security Inc., an ASSA ABLOY Group company.

Yale® is a registered trademark of Yale Security Inc., an ASSA ABLOY Group company. Other products' brand names may be trademarks or registered trademarks of their respective owners and are mentioned for reference purposes only. These materials are protected under U.S. copyright laws. All contents current at time of publication.

Yale Security Inc. reserves the right to change availability of any item in this catalog, its design, construction, and/or its materials.

Copyright © 2011, 2014 Yale Security Inc., an ASSA ABLOY Group company.

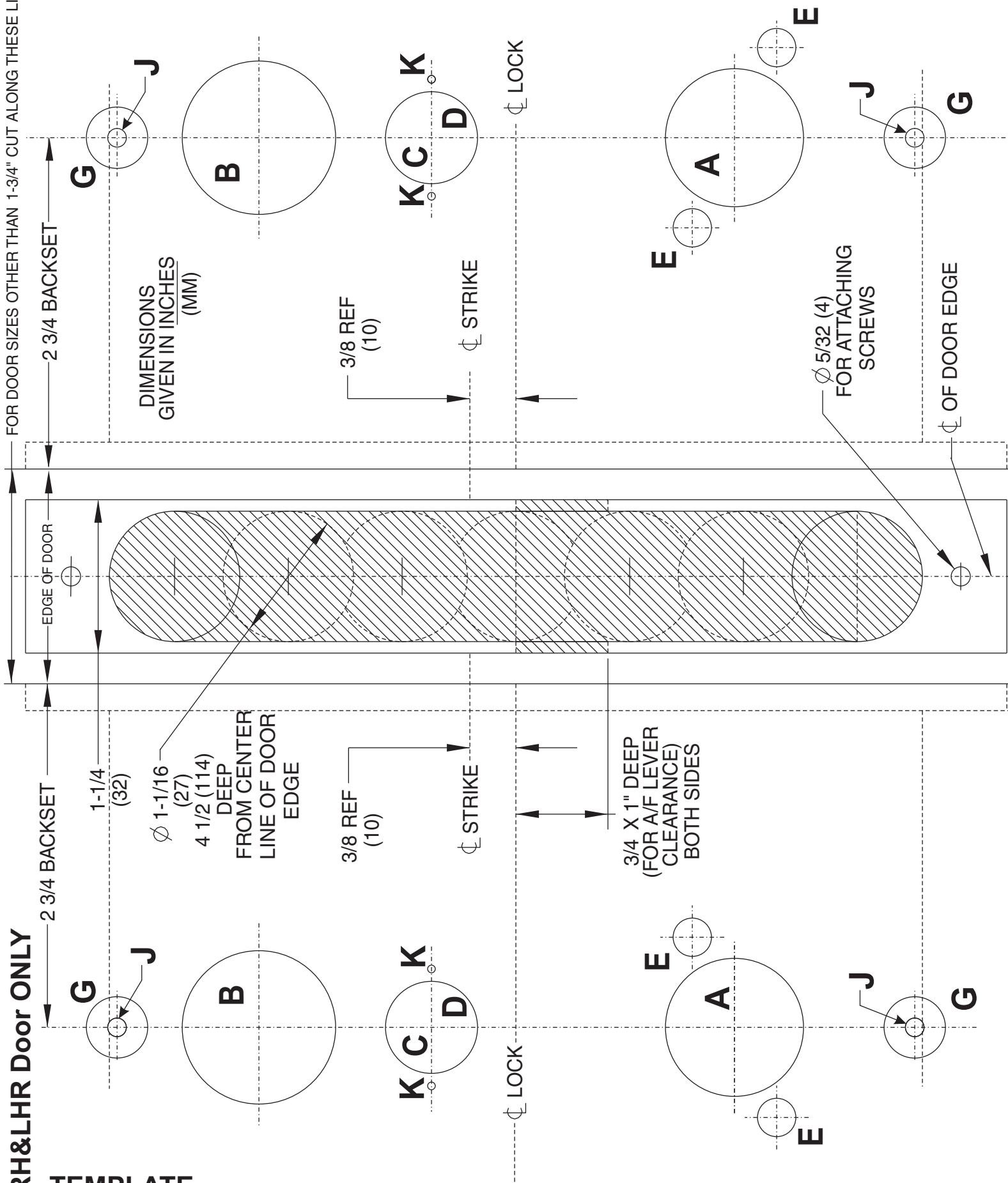
All rights reserved. Reproduction in whole or in part without the express written permission of Yale Security Inc. is prohibited.

RH&LHR Door ONLY

TEMPLATE

An ASSA ABLOY Group brand

FOR DOOR SIZES OTHER THAN 1-3/4" CUT ALONG THESE LINES



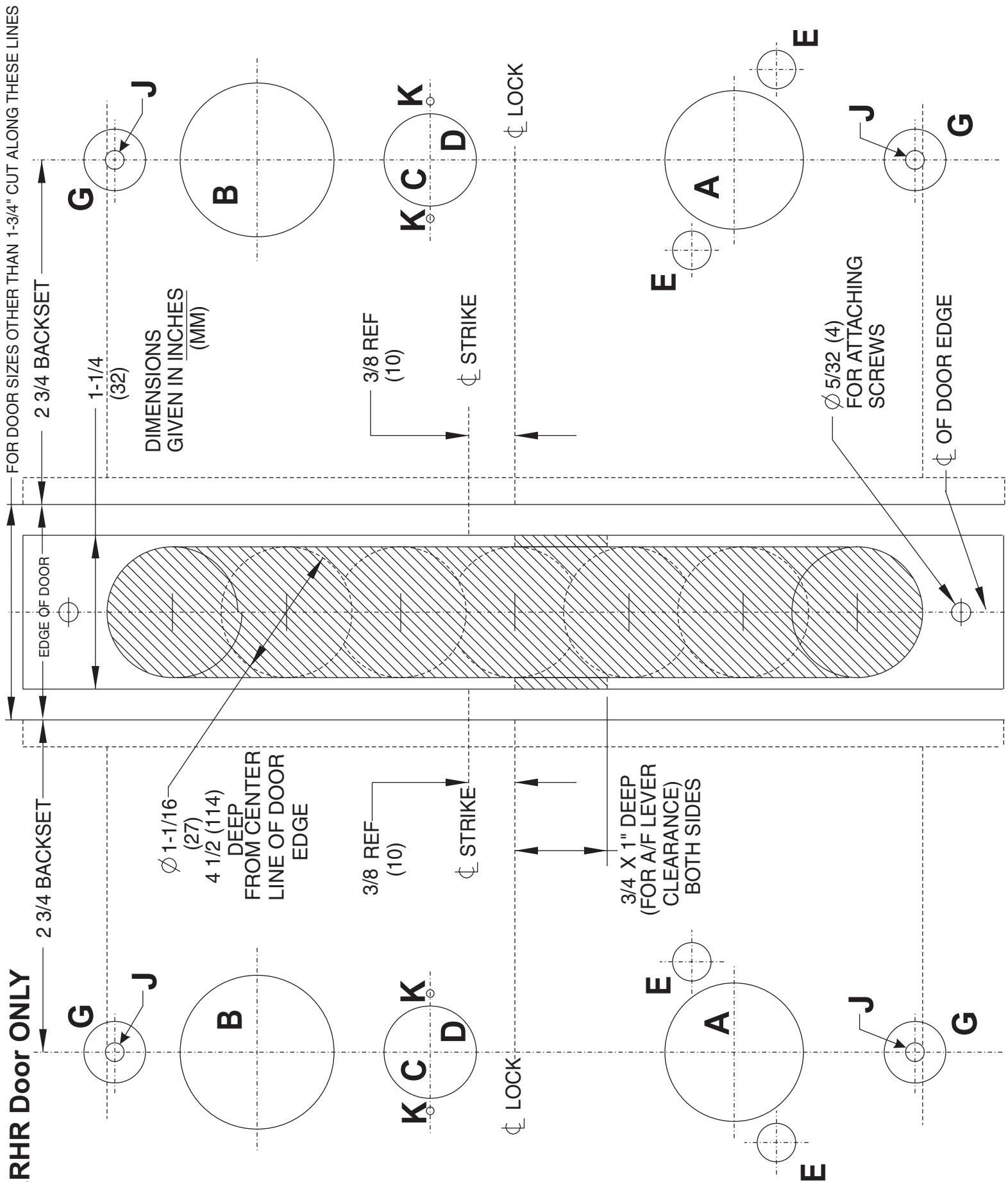
80-9086-0026-010 (12-18)

ASSA ABLOY

LH&RHR Door ONLY

TEMPLATE

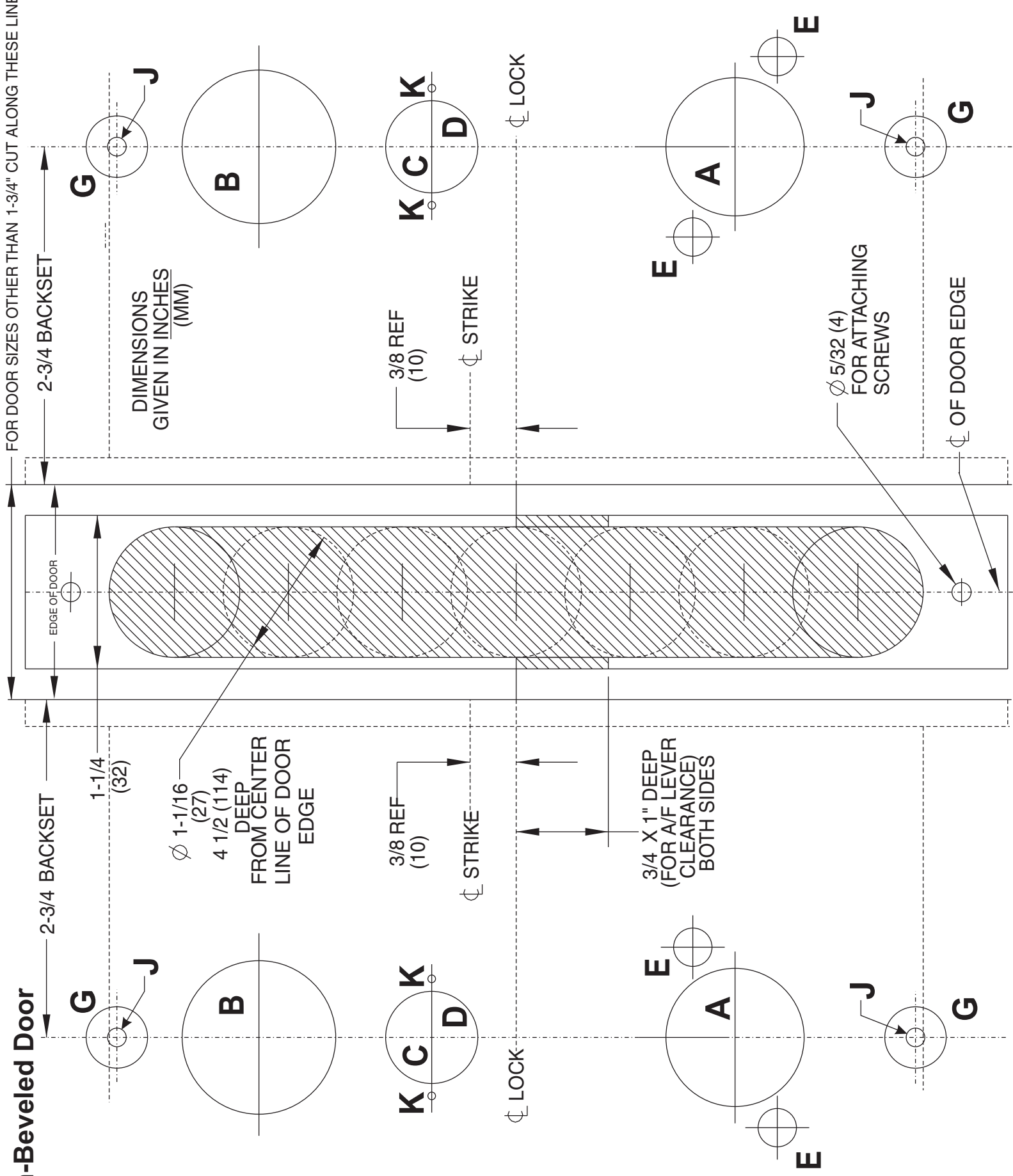
An ASSA ABLOY Group brand



80-9086-0026-010 (12-18)

ASSA ABLOY

FOR DOOR SIZES OTHER THAN 1-3/4" CUT ALONG THESE LINES



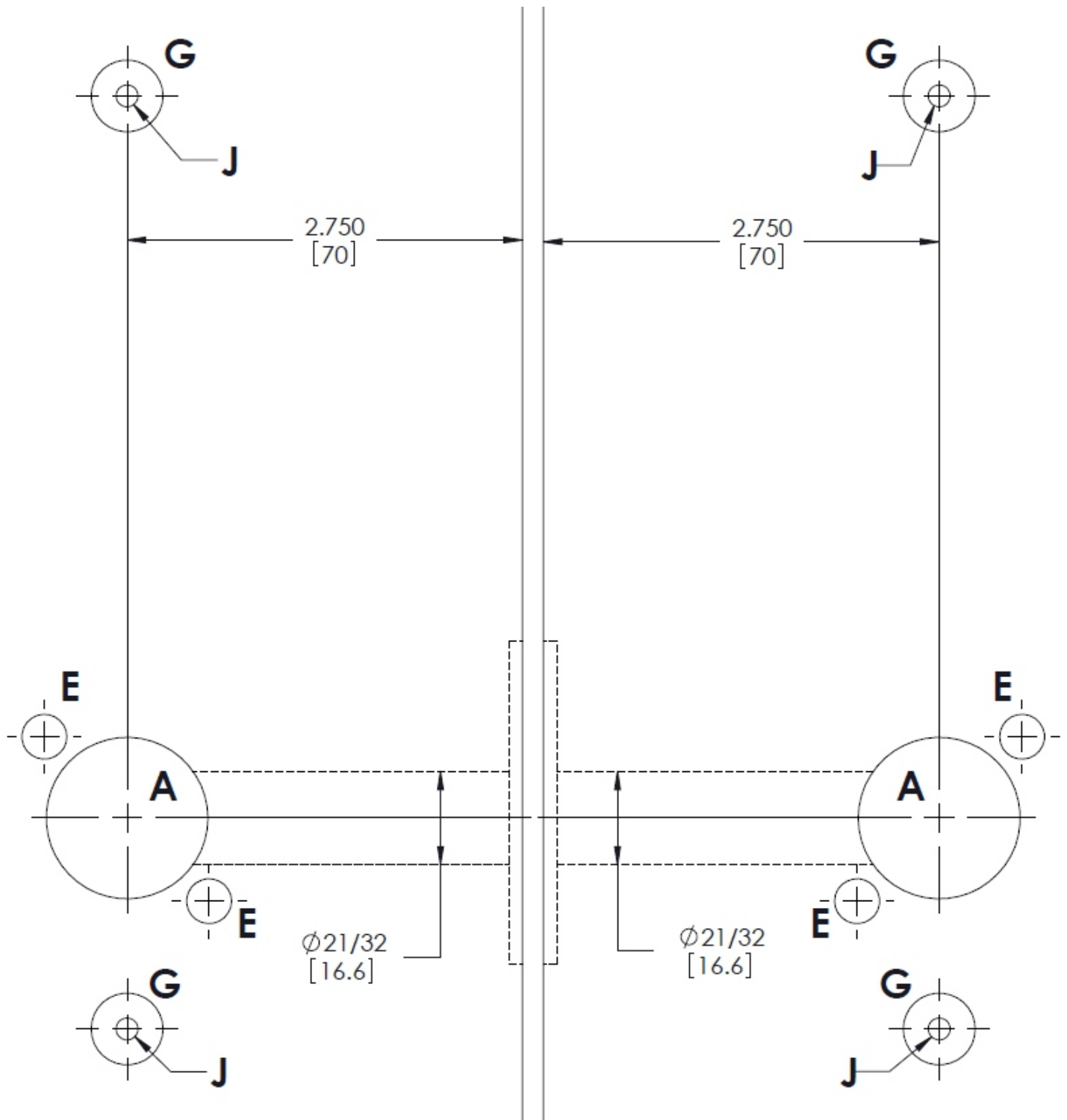
Non-Beveled Door TEMPLATE

An ASSA ABLOY Group brand

80-9086-0026-010 (12-18)

ASSA ABLOY

838A AND 838B KNOB AND LEVER DUMMY TRIM



FOR MORE INFORMATION
REFERENCE WEBSITE TEMPLATES

7086-0006 7086-0008
7086-0007 7086-0009

TEMPLATE

An ASSA ABLOY Group brand

80-9086-0026-010 (12-18)

ASSA ABLOY