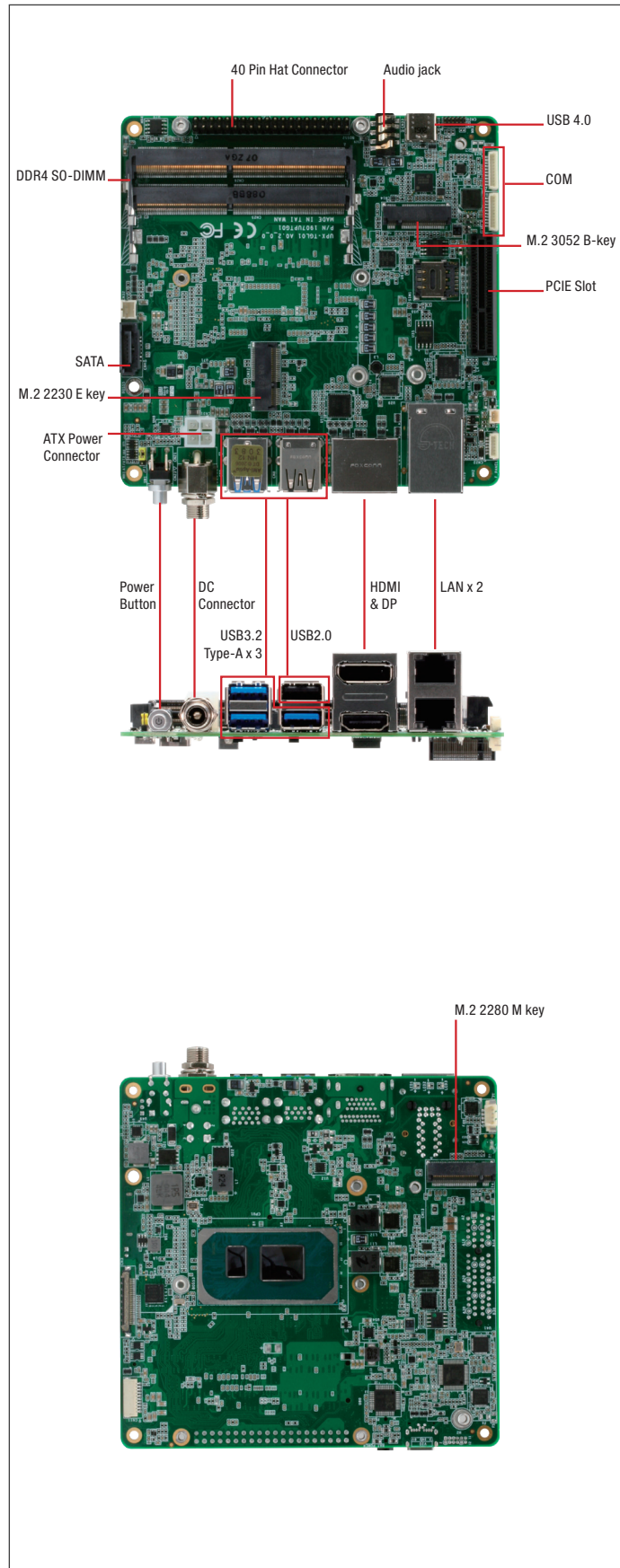


# UP Xtreme i11

UP Xtreme i11 developer board with 11th generation Intel® Core™ i7/i5/i3/Celeron® Processor SoC (formerly Tiger Lake UP3)



## Features

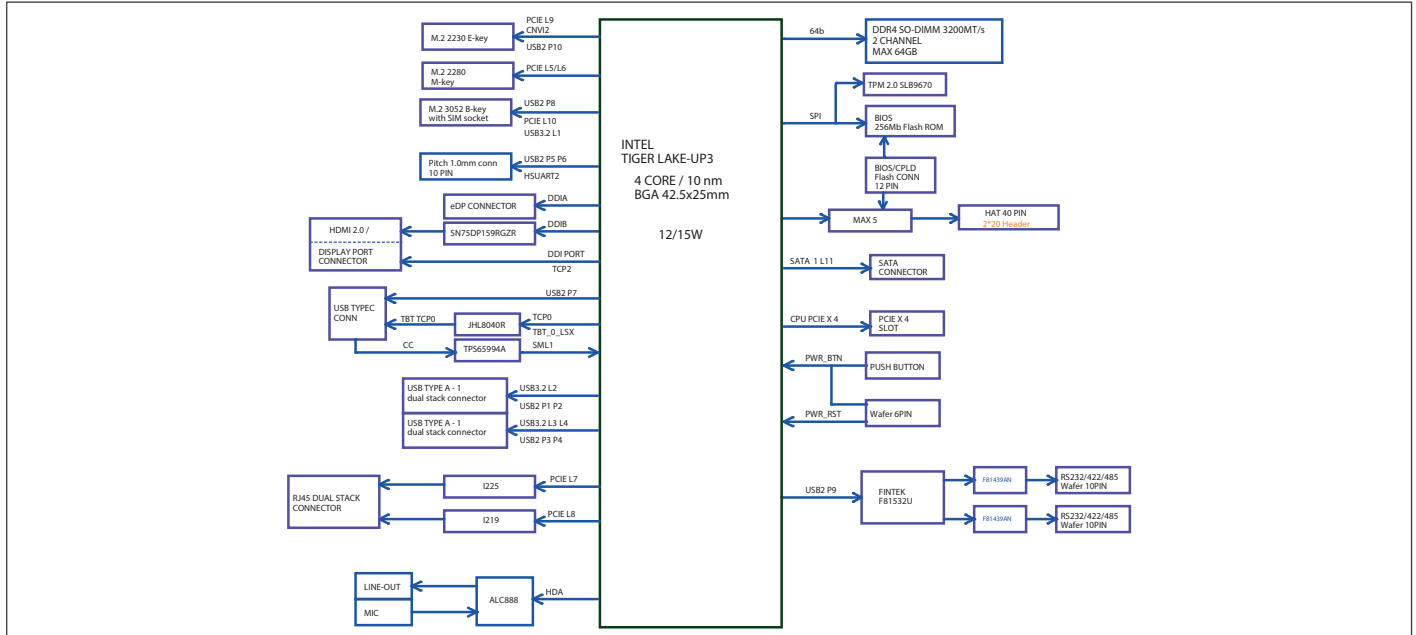
- 11th generation Intel® Core™ i7/i5/i3/Celeron® Processor SoC (formerly Tiger Lake UP3)
- DDR4 SO-DIMM Slot x 2 (up to 64GB)
- 40-pin HAT Connector
- Support 4 independent Displays
- Support 5G module via M.2 3052 B key
- Support AI module via M.2 2280
- Support WiFi 6 via M.2 2230
- Support USB 4.0
- PCIe x 4 slot



## Specifications

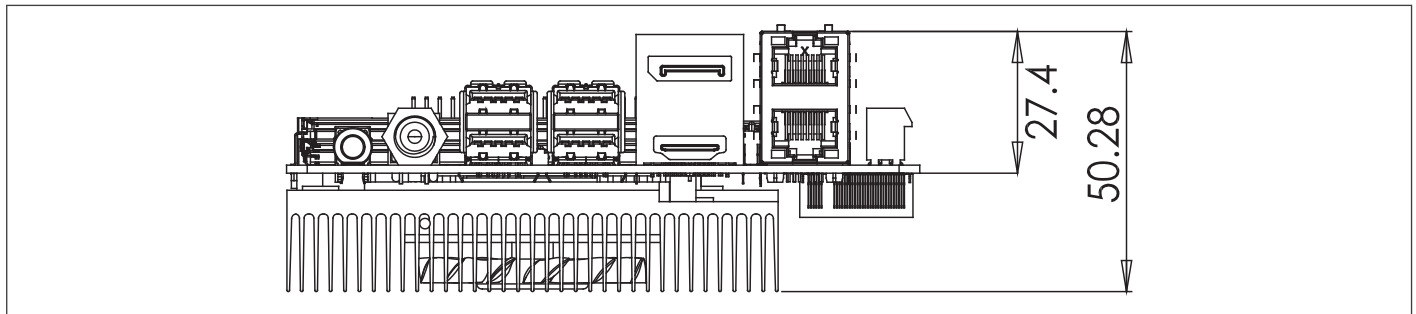
System	
Processor	11th Gen Intel® Core™ Processor SoC Core i7-1185GRE Core i5-1145GRE Core i3-1115GRE Celeron® 6305E
Graphics	Intel® Iris® Xe graphics
I/O	RJ45 Ethernet Connector x 2 HDMI/DP Stack Connector x 1 Power Button / LED x 1 DC Connector (Lockable) x 1 10-pin USB 2.0 x 2 / HSUART x 1 SATA Connector with Power Connector (5V, GND) x 1 4pin Fan Connector x1 6pin Front Panel Header M.2 2230 E Key x 1 M.2 2280 M Key x 1 USB 4.0 40-pin HAT Connector x 1 M.2 3052 B Key x 1 with SIM 10-pin RS232/422/485 Pin Header x 2 Alternative 4pin ATX Connector Behind DC Connector
Camera	—
USB	USB 3.2 Gen 2 Type A x 3 USB 2.0 x 1 USB4.0 x 1 Type-C
Expansion	M.2 2230 E Key x 1 M.2 2280 M Key x 1 M.2 3052 B Key x 1 40-pin HAT Connector x 1 PCIe x 4 Slot
RTC	RTC battery, CR2032 x 1
Power	12V
Dimension	120.35 x 122.5 mm
Memory	DDR4 SO-DIMM Slot x 2 (up to 64GB 3200Mhz)
Storage	SATA3 (6Gb/s) x 1: a. SATA Connector x 1 b. M.2 2280 M Key NVMe(PCIe [x2])
Display Interface	HDMI 2.0 x 1 DP 1.4 x 1 + eDP x 1, 4K at 60hz internal panel
Ethernet	Intel® i225IT (TSN) x 1, Intel® i219 (vPRO) x 1
OS Support	Win 10/IOT Linux Ubuntu 20.04.02 Linux Yocto 3.1
Operating Temperature	32°F ~ 140°F (0°C ~ 60°C)
Operation Humidity	0% ~ 90% relative humidity, non-condensing
Certification	CE/FCC class A, RoHS Compliant, REACH

### Block Diagram



### Dimension

Unit: mm



### Ordering Information

Part Number	CPU	Core	LAN	Memory	USB	RS-232/422/485	Expansion Slot	Display	Power	Operation Temp
UPX-TGLI7-A10-0000	Intel Core i7-1185GRE	4	GbE x 2 (Intel i225 IT up to 2.5Gbps, Intel i219 up to 1Gbps)	SO-DIMM (Up to 3200Mhz, 64GB)	USB 3.2 Gen 2 x 3, USB 2.0 x 1, USB 4.0 x 1	2	M.2 2280 M key x 1, M.2 2230 E key x 1, M.2 3052 B key x 1, 40pin HAT x 1, SATA 3 x 1, PCIe 4.0 x 1	HDMI, DP, eDP, DP via USB type C	12V	32°F ~140°F (0°C ~ 60°C)
UPX-TGLI5-A10-0000	Intel Core i5-1145GRE	4	GbE x 2 (Intel i225 IT up to 2.5Gbps, Intel i219 up to 1Gbps)	SO-DIMM (Up to 3200Mhz, 64GB)	USB 3.2 Gen 2 x 3, USB 2.0 x 1, USB 4.0 x 1	2	M.2 2280 M key x 1, M.2 2230 E key x 1, M.2 3052 B key x 1, 40pin HAT x 1, SATA 3 x 1, PCIe 4.0 x 1	HDMI, DP, eDP, DP via USB type C	12V	32°F ~140°F (0°C ~ 60°C)
UPX-TGLI3-A10-0000	Intel Core i3-1115GRE	2	GbE x 2 (Intel i225 IT up to 2.5Gbps, Intel i219 up to 1Gbps)	SO-DIMM (Up to 3200Mhz, 64GB)	USB 3.2 Gen 2 x 3, USB 2.0 x 1, USB 4.0 x 1	2	M.2 2280 M key x 1, M.2 2230 E key x 1, M.2 3052 B key x 1, 40pin HAT x 1, SATA 3 x 1, PCIe 4.0 x 1	HDMI, DP, eDP, DP via USB type C	12V	32°F ~140°F (0°C ~ 60°C)
UPX-TGLCR-A10-0000	Intel Celeron® 6305E	2	GbE x 2 (Intel i225 IT up to 2.5Gbps, Intel i219 up to 1Gbps)	SO-DIMM (Up to 3200Mhz, 64GB)	USB 3.2 Gen 2 x 3, USB 2.0 x 1, USB 4.0 x 1	2	M.2 2280 M key x 1, M.2 2230 E key x 1, M.2 3052 B key x 1, 40pin HAT x 1, SATA 3 x 1, PCIe 4.0 x 1	HDMI, DP, eDP, DP via USB type C	12V	32°F ~140°F (0°C ~ 60°C)

### Packing List

- UP Xtreme i11 with heatsink + cooler

### Optional Accessories

Part Number	Description
1255X00032	(TF)AC/DC Adapter.Input AC.100~240V.Output DC.12V.MAX 72W.6.0A.180D.W/ LOCK.EDAC.EA10681U(120)
1255300960	(TF)Power Adapter.100~240VAC~50/60Hz.12V/8A.96W.DC jack W/lock.FSP.FSP096-AHAN3/9NA0961403 *Use this adapter if select AI Core XM
1702031802	(TF)POWER CORD.3P-125V 10A 180D.1.8M.USA.FANJET.YP12/YC-12 (for USA)
1702031803	(TF)POWER CORD.3P-250V 10A 180D.1.8M.VDE.FAN-JET.YP-22/YC-12 (for EU)
170203180E	(TF)Power cord.3P.125V/7A.1.8M.PSE YP12/YC12 Certificat (for Japan)
9741364A00	Wireless LAN Kit M.2 2230 802.11ac/a/b/g/n + BT4.0,2T2R,with 2 sets of cable & antenna (Enil,QCNFA364A)
9651926001	(TF).M.2 2230 WiFi Kit.802.11ac.2.4G/5G,W/BT Intel.9260.NG.WV.958867 w/2 cable & antenna
PER-TAIX2-A20-2280	AI Core XM 2280.N/A.M.2 2280 B+M key card.with Dual Myriad X.w/o heatsink

# Mouser Electronics

Authorized Distributor

Click to View Pricing, Inventory, Delivery & Lifecycle Information:

[AAEON:](#)

[UPX-TGLCR-A10-0000](#) [UPX-TGLI3-A10-0000](#) [UPX-TGLI5-A10-0000](#) [UPX-TGLI7-A10-0000](#)