

# *the Compact Wave™ Soft Close*

Instruction Book - BMO650



# **Breville®**



## Contents

- 2 Breville recommends safety first
- 13 Components
- 14 Assembly
- 16 Functions
- 18 Cooking Functions
- 20 Hints & Tips
- 21 Care & Cleaning
- 22 Troubleshooting

## BREVILLE RECOMMENDS SAFETY FIRST

At Breville we are very safety conscious. We design and manufacture consumer products with the safety of you, our valued customer, foremost in mind. In addition, we ask that you exercise a degree of care when using any electrical appliance and adhere to the following precautions.

## IMPORTANT SAFETY INSTRUCTIONS

- When using electrical appliances basic safety precautions should be followed, including the following:



### WARNING

To reduce the risk of burns, explosion, electric shock, or to prevent damage to property, personal injury, or loss of life, or exposure to excessive microwave energy:

### READ ALL INSTRUCTIONS BEFORE USE AND SAVE FOR FUTURE REFERENCE

- Do not remove the microwave guide cover placed on the right panel inside the cavity. This sheet is not part of the packaging and needs to remain inside the microwave cavity to ensure a safe operation. Please refer to the BMO650 Components on page 13.
- Remove and safely discard any packaging material and promotional labels before using the Breville microwave oven for the first time.

- Read and follow the specific “PRECAUTIONS TO AVOID POSSIBLE EXPOSURE TO EXCESSIVE MICROWAVE ENERGY” on page 10.
- This appliance must be grounded. Connect only to properly grounded outlet. See “GROUNDING INSTRUCTIONS” on page 12.
- Install and locate this appliance only in accordance with the supplied installation instructions on page 14.
- Use this appliance only for its intended use as described in the manual. Do not use corrosive chemicals or vapours in this appliance. This type of oven is specifically designed to heat or cook food. It is not designed for industrial or laboratory use.
- As with any appliance, close supervision is required when used by children.
- This appliance can be used by children aged from 8 years and above and persons with reduced physical, sensory or mental capabilities or lack of experience and knowledge if they have been given supervision or instruction concerning use of the appliance in a safe

way and understand the hazards involved. Children shall not play with the appliance. Cleaning and user maintenance shall not be made by children without supervision.

- Keep the appliance and its cord out of reach of children less than 8 years.
- Children should be supervised to ensure that they do not play with the appliance.
- Do not operate this appliance when it has a damaged cord or plug, when it is not working properly, or when it has been damaged or dropped.
- Some products such as whole eggs and sealed containers - for example, closed glass jars have the potential to explode and shall not be heated in this oven.

### **WARNING**

As with any appliance, close supervision is required when used by children.

- Regularly inspect the power cord. Do not operate this appliance if it has a damaged cord or plug, when it is not working properly, or when it has been damaged or dropped. Immediately stop using the appliance and contact Breville Consumer Support.

- The supply cord cannot be replaced. If the cord is damaged the appliance should be scrapped.
- This appliance shall be serviced only by qualified personnel. Contact Breville Consumer Support or the nearest Breville Authorized Service for examination, repair or adjustment.
- Do not cover or block any openings on the appliance.
- Do not store this appliance outdoors.
- Do not use this product near water, for example, near a kitchen sink, in a wet basement, near a swimming pool, or similar location.
- Do not immerse cord or plug in water.
- Keep cord away from heated surfaces.
- Do not let cord hang over edge of table or counter, touch hot surfaces or become knotted.
- To reduce the risk of fire in the oven cavity:
  - i) Do not overcook food. Carefully attend appliance when paper, plastic, or other combustible materials are placed inside the oven to facilitate cooking.
  - ii) Remove wire twist-ties from paper or plastic bags before placing bag in oven.
  - iii) In the event materials inside the oven ignite, keep oven door closed, turn oven off, and disconnect the power cord, or shut off power at the fuse or circuit breaker panel.
  - iv) Do not use the cavity for storage purpose. Do not leave paper products, cooking utensils, or food in the cavity when not in use.
- Always operate the microwave oven on a heat-resistant surface. Do not use on a cloth-covered surface, near curtains or other flammable materials.
- Do not use the oven without the turntable roller and glass turntable in place. Ensure the glass turntable is positioned correctly into the indents on the turntable roller.
- Never use the microwave oven without food or water in the oven cavity. Operating the microwave oven when empty could cause damage to the appliance.
- Do not leave the microwave oven unattended when in use.
- Do not touch hot surfaces. Allow the microwave oven to cool entirely before moving or cleaning any parts.

- Always press the STOP/CLEAR button and return to the default screen prior to unplugging the unit from the wall outlet before:
  - The appliance is to be left unattended
  - If not in use.
  - Before moving or assembly.
  - When storing the appliance.
  - Cleaning (see page 21)
- Keep the appliance clean. Follow the cleaning instructions provided in this book.
- When cleaning surfaces of door and oven that come together on closing the door, use only mild, non-abrasive soaps, or detergents applied with a sponge or soft cloth. The use of corrosive chemicals in cleaning will damage the appliance and may result in radiation leaks.
- Do not use a steam cleaner to clean the microwave oven.
- Do not place the microwave oven near the edge of a bench or table during operation. Ensure all surfaces are level, clean and free of water or any other substances.
- Do not place the microwave oven on or near a hot gas or

- electric burner, or where it could touch a heated oven.
- When using the microwave oven, provide adequate air space above and on all sides for air circulation (Refer to Installation section on page 14).
- Microwave oven is to be used as free-standing unit. Do not build in or enclose microwave oven in a cabinet or confined space as it will cause overheating. (Refer to Installation section on page 14).
- Do not use the microwave oven on a metal surface, for example a sink drain board.
- The microwave oven is not intended to be operated by means of external timer or separate remote-control system.
- Liquids, such as water, coffee or tea can overheat beyond the boiling point without appearing to be boiling. Visible bubbling or boiling when the container is removed from the microwave oven is not always present. **THIS COULD RESULT IN VERY HOT LIQUIDS SUDDENLY BOILING OVER WHEN THE CONTAINER IS DISTURBED OR A UTENSIL IS INSERTED INTO THE LIQUID.**

## IMPORTANT SAFEGUARDS FOR ALL ELECTRICAL APPLIANCES

- This appliance is for household use only. Do not use the appliance for anything other than its intended purposes as described in this manual.
- Do not use outdoors. Do not use in moving vehicles, boats or planes.
- Fully unwind the power cord before use.
- We recommend a separate circuit dedicated to serving only this microwave oven.
- A short power cord is supplied to reduce the risks resulting from becoming entangled in or tripping over a longer cord.
- To protect against electric shock do not immerse the power cord, power plug or appliance in water or any other liquid.
- Do not disconnect or tamper with the power cord or the power outlet while the unit is operating.
- When storing the microwave oven, loosely wind the cord. Do not wrap the cord around the microwave oven.
- The glass window has been specially treated to make it stronger, more durable and safer than ordinary glass, however it is not unbreakable. If dropped or struck extremely hard, it may break or weaken, and could later shatter into many small pieces without apparent cause.
- Regularly inspect the power cord and actual appliance for any damage. Do not operate if damaged in any way, or if it is not working properly, or if it has been dropped. Immediately stop using the appliance, unplug or disconnect power and call Breville Consumer Support.
- For any maintenance other than cleaning, contact Breville Consumer Support.
- Position the appliance at a minimum distance 20cm away from side walls and 20cm from top, curtains and other heat or steam sensitive materials and provide adequate space above and on all sides for air circulation.
- Do not disconnect the microwave oven from the power supply by pulling on the cord.
- The installation of a residual current device (safety switch) is recommended to provide additional safety protection when using electrical appliances. It is advisable that a safety switch with a rated residual operating

current not exceeding 30mA be installed in the electrical circuit supplying the appliance. See your electrician for professional advice.

- The appliance must be used on a properly grounded outlet. If you are not sure if the power outlets are properly grounded, please consult your electrician.
- Do not, under any circumstances, modify the power plug or use an adapter.

## **SPECIAL SAFETY INSTRUCTIONS FOR YOUR MICROWAVE OVEN**

- The microwave oven is intended for heating food and beverages. Drying of food or clothing and heating of warming pads, slippers, sponges, damp cloths and similar may lead to risk of injury, ignition or fire.
- Ensure all food containers and/or plates are suitable for use in the microwave oven. This should be done prior to preparing food for heating or cooking in the microwave oven. Always monitor food and liquids heating or cooking in the microwave oven due to the possibility of containers igniting.

- All suitable glass or plastic food containers should be used in strict compliance with the cookware manufacturer's recommendations.
- Food and/or liquids should not be heated or cooked directly on the glass turntable. They must be placed into a suitable microwave-proof container before placing onto the glass turntable.
- Food and/or liquids should not be heated or cooked in plastic or paper containers or bags, unless specified as suitable for use by the manufacturer, due to the possibility of containers exploding or igniting.
- Metal clips or twist ties should be removed from the packaging as these could cause sparking and/or fire.
- Do not use recycled paper or paper towels when cooking. Recycled paper may contain small metal or other impurities which could cause sparking and/or fire.
- Do not use metal containers or utensils in the microwave oven as these could cause sparking and/or fire except the accessories provided with this microwave oven.

- Food grade foil should not be used in the microwave oven as this could cause sparking and/or fire.
- Ensure that lids and caps covering containers are removed prior to placing liquids and/or foods into the microwave oven.
- Feeding bottles and baby food jars should have lids and caps removed before warming or heating in the microwave oven. To avoid burns or scalding after heating, the contents should be stirred or shaken and the temperature checked before serving.
- Always ensure the temperature of food or drink which has been heated or cooked in the microwave oven has been tested before eating, drinking or serving.
- Some containers and/or plates may appear suitable for use in the microwave oven but may be coated in a glaze that will absorb the microwave energy, overheat and cause the container to crack. The glaze may also prevent the food from heating/cooking.
- Utensils should be checked to ensure that they are suitable for use in microwave ovens.
- Allow proper cool down time for heated food or drink before handling or serving from the microwave oven. Always test before eating, drinking or serving to others, especially children, disabled or elderly.
- If cooking meat, poultry or fish, always make sure they are cooked thoroughly and measured with an appropriate temperature registering device to help protect against foodborne illness.
- Do not heat popcorn in the microwave oven unless it has been commercially packaged for microwave oven use. There may be several un-popped kernels that may overcook and burn when popping popcorn.
- Do not cook any food surrounded by a membrane (such as potatoes, chicken liver, egg yolks, oysters, etc) without first piercing the membrane several times with a fork or similar utensil.
- “Boilable” cooking pouches, bags or containers should always be slit, pierced or vented as directed by the package. If they are not, plastic or packaging could burst resulting in burns and injury.



- Always allow items to cool down before opening or handling. Use caution when opening or handling.
- Use caution when opening bags, pouches, lids or containers as hot steam, food or liquid can escape causing burns or injury.
- Eggs in the shell and whole hard-boiled eggs should not be cooked or heated in the microwave oven as they may explode during cooking, at the end of cooking or after removing from microwave oven.
- Caution should be taken when toasting and grilling high oil content foods, such as pine nuts and walnuts. They may catch fire. If this occurs, please keep the oven door closed and switch off and unplug oven until flame has extinguished.
- Do not heat oil or fat in the microwave oven. Doing so may cause the microwave oven and/ or the oil to overheat and/or ignite.
- If smoke is observed, switch off and unplug the microwave oven at the power outlet. Keep the door closed to stifle any flames.
- If you see any sparks, arcing or flashing within the microwave oven, press the STOP/CLEAR button and correct the problem or contact Breville Consumer Support for assistance.
- Wipe the oven cavity with a soft, damp cloth after each use. Leaving food residue, grease or fat in the cavity could cause the microwave oven cavity to overheat and may cause the microwave oven to smoke or catch fire.
- The microwave oven should be cleaned regularly and any food splattering inside the cavity should be removed. Failure to maintain the microwave oven in a clean condition could lead to deterioration of the surface, adversely affecting the life of the microwave oven and possibly resulting in a hazardous situation.
- Do no attempt to operate the microwave oven by any method other than those described in this instruction book.
- When heating food in plastic or paper containers, keep an eye on the oven due to the possibility of ignition.

 **WARNING**

- Liquids and other foods must not be heated in sealed containers since they are liable to explode.

## PRECAUTIONS TO AVOID POSSIBLE EXPOSURE TO EXCESSIVE MICROWAVE ENERGY

- Do not attempt to operate this oven with the door open since open-door operation can result in harmful exposure to microwave energy. It is important not to defeat or tamper with the safety interlocks.
- Do not place any object between the oven front face and the door or allow soil or cleaner residue to accumulate on sealing surfaces.
- The oven should not be adjusted or repaired by anyone except properly qualified service personnel.



### WARNING

- If the door or door seals are damaged, the oven must not be operated. Immediately cease use and call Breville Consumer Support for examination, repair or adjustment. It is particularly important that the oven door close properly and that there is no damage to the: (1) Door (bent), (2) Hinges and latches (broken or loosened), (3) Door seals and sealing surfaces.

- Do not put any foreign material between the door and door jamb of the microwave oven.

## SUPERHEATED LIQUIDS

- To reduce this risk of injury to persons:
  - Do not overheat the liquid.
  - Stir the liquid both before and halfway through heating it.
  - The heating of beverages in the microwave can boil over. Care should always be taken when handling beverages.
  - Do not use straight-sided containers with narrow necks.
  - After heating, allow the container to stand in the microwave oven for a short time before removing the container.
  - Use extreme care when inserting a spoon or other utensil into the container.
- Liquids, such as water, coffee or tea can become heated above their boiling points without the appearance of boiling or bubbling. **THIS COULD RESULT IN VERY HOT LIQUIDS SUDDENLY BOILING OVER WHEN THE CONTAINER OR LIQUID SURFACE IS DISTURBED OR WHEN A SPOON OR UTENSIL IS INSERTED INTO THE LIQUID.**

- Do not heat popcorn in the microwave oven unless it has been commercially packaged for microwave use. There may be several un-popped kernels that may overcook and burn when popping popcorn. Do not use oil unless recommended by the manufacturer. Do not pop popcorn longer than the manufacturer's instructions (popping time should not exceed 3 minutes). Longer cooking could cause scorching or fire.
- Do not cook any food surrounded by a membrane (such as potatoes, chicken liver, egg yolks, oysters, etc.) without first piercing the membrane several times helping to allow for steam to escape.
- Eggs in the shell and whole hard-boiled eggs should not be cooked or heated in the microwave oven as they may explode during cooking, at the end of cooking or after removing from the microwave oven.
- Do not heat oil or fat in the microwave oven. Doing so may cause the microwave oven and/ or the oil to overheat and/or ignite.
- If any smoke is observed, switch off and unplug the microwave oven at the power outlet. Keep the door closed to stifle any flames.
- Do not attempt to operate the microwave oven by any method other than those described in this instruction book.
- Utensils should be checked to ensure that they are suitable for use in microwave ovens.
- Do not disconnect or tamper with the power cord or the power supply outlet while the unit is operating.
- Loosely wind the cord when storing the microwave oven. Do not wrap the cord around the microwave oven.
- When heating food in plastic or paper containers, keep an eye on the microwave oven due to the possibility of ignition.
- The glass window has been specially treated to make it stronger, more durable and safer than ordinary glass, however it is not unbreakable. If dropped or struck hard, it may break or weaken, and could later shatter into many small pieces without apparent cause.
- If you see any sparks, arcing or flashing within the microwave oven, press the STOP/CLEAR button and correct the problem or contact Breville Consumer Support for assistance.



## CAUTION

- Changes or modifications not expressly approved by the party responsible for compliance could void the user's authority to operate the product.

## GROUNDING INSTRUCTIONS



## WARNING

Improper use of the grounding can result in a risk of electrical shock.

- This appliance must be grounded. In the event of an electrical short circuit, grounding reduces the risk of electric shock by providing

an escape wire for the electric current. This appliance is equipped with a cord having a grounding wire and grounding plug. The plug must be plugged into an outlet that is properly installed and grounded.

- Consult a qualified electrician if the grounding instructions are not completely understood, or if doubt exists as to whether the appliance is properly grounded.
- Do not use an extension cord. If the power supply cord is too short, have a qualified electrician or serviceman install an outlet near the appliance.



## NOTE

Do not use an adapter plug with this appliance.

## SPECIFICATIONS

Power Consumption	230-240V - 50 Hz; 1200-1250W
Output	750-800W - 2450 MHz
Outside Dimensions	29.2cm / 11.5 inches (H) 48.5cm / 19.0 inches (W) 41.7cm / 16.4 inches (D) with handle 38.7cm / 15.2 inches (D) without handle
Glass Turntable Diameter	27cm (10.6 inches)
Net Weight	Approx. 12.85 kg
Oven Capacity	25 Litres

These specifications may change without notice.

# FOR HOUSEHOLD USE ONLY SAVE THESE INSTRUCTIONS



## Components



- A. Viewing window
- B. Door handle: Pull handle to open.
- C. LED screen
- D. **POWER LEVEL** button:  
The default power will be P100 (100%).  
When the POWER button is pressed again,  
the POWER LEVEL will decrease from P100  
(100%) to P10 (10%), in 10% increments.
- E. **DEFROST** and **REHEAT** function
- F. **POPCORN** Function
- G. **FOOD MENU** function
- H. **BEVERAGE** Function
- I. **TIME** dial
- J. **Mute** button
- K. **START/+30 INSTANT START** button.  
Each press adds 30 second increments at  
100% power.
- L. **STOP/CLEAR /CHILD LOCK** button  
Press and hold STOP/CLEAR button  
for 3 seconds to set child lock.
- M. **CLOCK SETTING** button
- N. **Microwave Guide Cover**  
Do not remove to ensure a safe operation.



## Assembly

### BEFORE FIRST USE

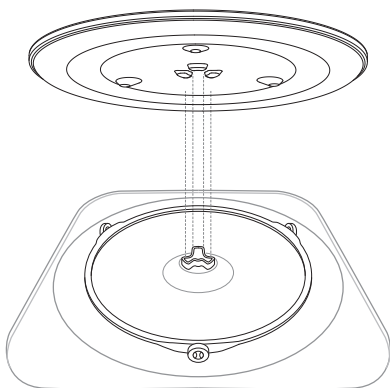
Before first use remove all promotional stickers and packaging material. Carefully unpack the microwave oven and keep all the packing material until all the parts of the microwave oven have been found and the appliance has been assembled. It is recommended to keep all the packing material in a safe place in case you wish to repack the product for shipping purposes.

To remove any dust that may have accumulated during packing, wash the turntable roller and glass turntable in warm soapy water, rinse in clean water then dry thoroughly. Wipe the interior and exterior of the microwave oven with a soft, damp cloth then dry thoroughly.

### ASSEMBLING THE GLASS TURNTABLE

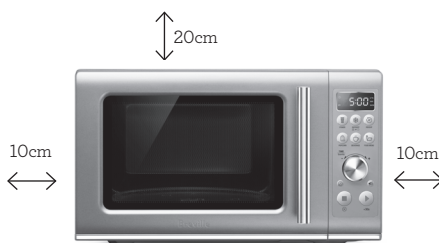
Insert the turntable roller into position in the indented space in the oven cavity base.

Place the glass turntable on top of the turntable roller, matching the indents of turntable roller at the centre area.



### INSTALLATION AND TURNING ON THE MICROWAVE OVEN

- This microwave oven is intended to be used as a free-standing unit.
- Select a level surface that provides enough open space for the intake and/or outlet vents.
- A minimum clearance of 10cm (4 inches) is required between the microwave and any adjacent walls.
- Leave a minimum clearance 20cm (8 inches) above the microwave.
- Do not remove the legs from the bottom of the microwave.
- Blocking the intake and/or outlet openings can damage the microwave.
- Place the microwave as far away from radios and TV as possible.
- Operation of microwave may cause interference to your radio or TV reception.
- Plug your microwave into a standard household outlet. Be sure the voltage and the frequency is the same as the voltage and the frequency on the rating label.
- The microwave must not be placed in a cabinet.





## WARNING

- To avoid an electrical circuit overload, it is recommended that no other appliances are plugged into the same circuit as your microwave oven (or other products) when it is in use.
- Do not install oven over a range cooktop or other heat-producing appliances. If installed near or over a heat source, the oven could be damaged, and the warranty would be void.
- Check the oven for any damage, such as misaligned or bent door, damaged door seals and sealing surface, broken or loose door hinges and latches and dents inside the cavity or on the door. If there is any damage, do not operate the oven and contact a Breville service centre.
- Do not immerse the microwave oven, power cord or plug in water or any other liquid.



## Functions

### SETTING THE CLOCK

#### 24 HOUR CLOCK DISPLAY

- Press SET CLOCK on interface panel. The microwave will beep once.
  - The default time is 06:00.
  - The highlighted digits will flash and beep once to show it can be adjusted.
  - Turn TIME dial to adjust the hour and press START or SET CLOCK button to confirm.
  - Next is the minutes to be adjusted. Turn TIME dial to adjust minutes and press START or SET CLOCK button to confirm.
- When the new time is saved, the clock display will flash twice, and the microwave will beep once.



#### NOTE

If you forget to press START to confirm hours or minutes, after 1 minute, the microwave will flash twice and automatically confirm your selection.

### SETTING CHILD LOCK

Press and hold STOP/CLEAR ⊗ button for 3 seconds. The CHILD LOCK screen with flash 3 times, and the microwave will beep once.

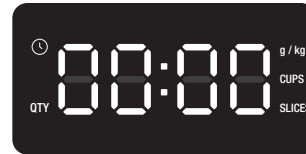


To disable CHILD LOCK, press and hold the STOP/CLEAR button for 3 seconds. The time will be displayed, and you will have full functionality of your microwave.

### STANDBY

When the microwave has been idle for 1-minute, STANDBY mode will be activated, and the clock will be shown.

If the clock has not been set, the display will remain at 00:00



If the clock has been set, the time will be displayed on the screen.

### TIME & POWER LEVEL ADJUSTMENT

The maximum microwave cooking time is 95 minutes (95:00).

There are 10 power levels available.

#### ⌚ Adjusting the time

Rotate the TIME dial clockwise to set the desired time, then press start.

The default time will be 30 seconds.

#### ☰ Adjusting the power level

Press the POWER button on the interface. The default power will be P100 (100%).

When the POWER button is pressed again, the POWER LEVEL will decrease from P100 (100%) to P10 (10%), in 10% increments.



## DYNAMIC POWER ADJUSTMENT

The food menu settings have pre-determined cook times and power levels to give the best results. However, to suit your personal preference adjustment of both time and power is available during the cooking cycle when using the MANUAL MODE:-

- Press the POWER button to increase or decrease at any time during the cooking cycle.
- Turn the TIME dial to increase or decrease cooking time at any time during the cooking cycle.

When using the defrost, reheat, popcorn, beverage or food menu, only the time can be dynamically adjusted.



### NOTE

Adjusting the power level while heating does not affect the time.

The time can also be adjusting during the cooking cycle. If turning the TIME dial, the time value can either be increased or decreased. If pressing the START button, the time value will increase by 30 seconds.

## +30 SEC INSTANT START

Press START/Instant +30 button to begin cooking instantly for 30 seconds with 100% microwave power. Each additional press will increase the cooking time by 30 seconds.

## WHEN COOKING IS FINISHED

At the end of any cooking cycle, the microwave will beep three times, and the word End will flash on the screen.

The word End will stay flashing on the screen for 5 minutes or until the door is opened.



## ⊗ STOP/CLEAR

Press STOP/CLEAR once during the cooking cycle to pause cooking, press again to cancel cooking and return to default screen.

## 🔇 MUTE

This program allows you to mute the sound of the microwave oven during operation.

In order to mute the sound of the microwave, select the MUTE button on the interface. When the MUTE program is selected, no tone will sound, and the screen will display OFF.



To unmute, press the MUTE button a second time and the screen will display ON and will beep once.



## Cooking Functions

### Popcorn

The POPCORN setting is designed to pop the maximum number of kernels in each bag.

To select this setting, press the POPCORN button. Place the bag in the centre of the turntable.

Turn the TIME dial to select weight, or press the POPCORN button again, and press START to begin cooking.

The weight selections are 25g, 85g and 100g.



### Beverage

The BEVERAGE setting is suitable to reheat hot drinks such as coffee and tea that may have become cold. The BEVERAGE setting will warm your drink to approx. 60–65°C (140-150°F) which is suitable to drink right away.

To select this setting, press the BEVERAGE button. Place the cup in the centre of the turntable.

Turn the TIME dial to select the number of cups, or press the BEVERAGE button again, and press START to begin cooking. You can select the amount of beverage from 1 cup (8 fl. oz./240mL) to 4 cups (32. fl. oz./960mL).



## WARNING

At the end of the reheat cycle, stir heated drinks and allow to stand for 1-2 minutes before consuming. Be aware, that overheating may scald or burn drinks.



## FOOD MENU

The food menu setting is designed to automatically cook at the correct power for the correct time.

Depending on the food item selected, the indicator on the screen of the microwave will change. These indicators aim to indicate which quantity or volume can be adjusted for each function.

### Potatoes

The POTATOES setting is designed to perfectly cook whole potatoes in the microwave.

Before cooking, pierce each potato with a fork four times. Place the whole potatoes on a single layer on the turntable surface.

To select this setting, press the FOOD MENU button once. The POTATOES setting will correspond to the code F-1. When the POTATOES setting is selected, the screen will look as below:



Turn the TIME dial to select the number of potatoes and press START to begin cooking. Cook time is based on whole potatoes between 200-230g. Roughly 1.00 min per 100g; extra may be required for larger potatoes, depending on the type of potato.

### Pizza

The PIZZA setting has been specially designed to perfectly reheat leftover pizza slices.

- Place cold pizza onto a microwave safe ceramic plate and place onto the turntable in the microwave.

To select this setting, press the FOOD MENU button twice. The PIZZA setting will correspond to the code F-2. When the PIZZA setting is selected, the screen will look as below:



Turn the TIME dial to select the number of slices and press START to begin cooking. You can select from 1 to 4 slices of pizza.

### Frozen Vegetables

The FROZEN VEGETABLES setting is suitable for a selection of frozen vegetables such as carrots, broccoli, cauliflower and peas. Cook times are based on vegetables from the freezer (approx. 0°F / -18°C).

- Place into a microwave safe dish and cover with a vented microwave-safe plastic lid or vented microwave-safe plastic wrap. No need to add water.

To select this setting, press the FOOD MENU button three times. The FROZEN VEGETABLES setting will correspond to the code F-3. When the FROZEN VEGETABLES setting is selected, the screen will look as below:



Turn the TIME dial to select the weight and press START to begin cooking. You can select from 125g, 250g, 375g and 500g.

- Once cooking has finished, allow vegetables to stand for 5 minutes before serving.

### DEFROST

The DEFROST setting is designed to gently defrost food without overheating and drying out of edges.

- Place food to defrost into a microwave safe dish and place onto the turntable in the microwave.

To select this setting, press the DEFROST button on the main interface. The setting will enable you to defrost by weight or by time.

- After the defrost cycle, most foods will still be somewhat icy in the centre when removed from the microwave. Stand food for 5-15 minutes until completely thawed.

### Defrost by Weight

To defrost by weight, press the DEFROST button. When Defrost by Weight is selected, the LED display will look as below:



Turn the TIME dial to select the desired weight. The weight range varies from 100g to 1.5kg. Press START to begin.



### Defrost by Time

To defrost by time, press twice the DEFROST button. When Defrost by Time is selected, the LED display will look as below:



Turn the TIME dial to select the desired time and Press START to begin.

### REHEAT

The REHEAT setting uses lower power levels to gently reheat food without drying or overcooking.

To select this setting, press the REHEAT button.

Turn the TIME dial to select the desired time and Press START to begin.



## Hints & Tips

### SOME IMPORTANT TIPS FOR MICROWAVE COOKING

To help equalize energy in the food so that it cooks evenly follow these helpful tips.

- Arrange foods with varying size ends, such as chicken drumsticks and broccoli with the thicker or tougher part positioned to the outside of the dish. This ensures the parts that require more cooking will receive more energy, so the food will cook evenly.
- Covering the dish during cooking holds in the heat and steam to speed up cooking time. Use a microwave safe lid or plastic wrap that has been vented by turning back one edge at the side of the dish to form a narrow vent to release excess steam.
- Choose cooking dishes that are shallow. Shallow dishes enable the food to cook faster.
- Arrange individual items such as ramekins or whole potatoes around the outside of the turntable. Make sure to leave space between items so the energy can penetrate from all sides.
- Use round shaped microwave dishes. Round shapes cook more evenly than square or rectangle dishes which absorb most of the energy in the corners causing food to overcook and toughen.
- Stir foods from the outside to centre of the dish once or twice during cooking to equalize heat and speed microwaving.
- Turn medium to large food items over twice during microwaving. This enables even exposure to microwaves.
- Elevating some types of food such as cakes, roast vegetables and dough products can be advantageous. It allows more energy to

penetrate the food from all sides, base and top. Use a microwave safe plastic or ceramic rack. If a rack is unavailable, use an upturned bowl or cup to elevate plates of food.

- Do not elevate any special browning dishes, jugs of sauce or custard, small quantities of food or mugs of beverages.
- Internal temperatures of foods continue to rise so that they continue cooking even after they have been removed from the microwave oven. It is better to undercook food as it will continue to cook once removed from the microwave.

### MICROWAVE UTENSILS

- Containers, plates, dishes, etc. used in the microwave oven should always be microwave-safe. Check if stated on the underside of the utensil or contact the manufacturer.
- To test if a container, plate or dish is microwave-safe, place it into the microwave oven with 1 cup of cold water (in a microwave-safe cup) and heat on 100% Power for 1 minute. If the container is hot and the water is cold, the container is not suitable for microwave oven use. If the container is cold and the water is hot, then the container is suitable for microwave oven use.
- Microwave-safe cookware will not become hot by the microwave energy, but it will become hot from contact with hot food. When the food becomes hot, some of this heat is transferred to the dish. Always use oven mitts or clothes to remove hot dishes from the microwave.
- Metal containers and utensils should not be used in the microwave oven.



## Care & Cleaning

- Remove the plug from the power outlet before cleaning.
- Keep the inside of the microwave oven clean. When food splatters or spilled liquids adhere to the microwave oven internal walls, wipe with a damp cloth. Mild detergent may be used if the cavity gets very dirty. Avoid the use of spray and other harsh cleaners as they may stain, streak or dull the door surface.
- The outside surfaces should be cleaned with a damp cloth. To prevent damage to the operating parts inside the microwave oven cavity, water should not be allowed to seep into the ventilation openings.
- Wipe the door and window on both sides of the door seals and adjacent parts frequently with a damp cloth to remove any spills or splatters. Do not use an abrasive cleaner.
- Do not allow the control panel to become wet. Clean with a soft, damp cloth. When cleaning the control panel, leave the microwave oven door open to prevent it from accidentally turning on.
- If steam accumulates inside or around the outside of the oven door, wipe with a soft dry cloth. This may occur when cooking foods high in moisture or if the microwave oven is operated under high humidity conditions, this is normal.
- It is occasionally necessary to remove the glass turntable for cleaning. Wash the glass turntable in warm soapy water, rinse in clean water and dry thoroughly.
- The turntable roller and microwave oven floor should be cleaned regularly to ensure the glass turntable rotates correctly and avoids making excessive noise. Simply wipe the bottom surface of the microwave with a soft damp cloth. The turntable roller may be washed in mild soapy water, rinse in clean water and dry thoroughly. When removing the turntable roller from the cavity floor for cleaning, be sure to replace in the proper position.
- Remove odours from your microwave oven by combining a cup of water with the juice of one lemon in a deep microwave-safe bowl, microwave on 100% for 5 minutes. Wipe the microwave oven cavity thoroughly and dry with a soft cloth.
- When it becomes necessary to replace the oven light, please consult your Breville Service Centre to have it replaced.
- Please do not dispose this appliance with domestic rubbish; it should be taken to the appropriate disposal centre provided by the local council municipalities.
- If storing the microwave oven, press the STOP/CLEAR button and unplug the power cord. Ensure the microwave oven is completely cool, clean and dry. Secure the roller ring and glass turntable and close the door. Do not place heavy objects on top. Store the microwave oven upright.

### BEFORE YOU CALL FOR SERVICE

- Check to ensure that the oven is plugged in securely. If it is not, remove the plug from the power outlet, wait 10 seconds and plug it in again securely.
- Check for a blown circuit fuse or a tripped main circuit breaker. If these seem to be operating properly, test the power outlet with another appliance.
- Check to ensure that the control panel is programmed correctly, and the timer is set.
- Check to ensure that the door is securely closed engaging the door safety lock system. Otherwise, the door safety lock system will prevent the microwave from switching on.



### NOTE

If none of the above rectify the situation, then contact your Breville Service Centre. Do not try to adjust or repair the oven yourself.



## Troubleshooting

<b>PROBLEM</b>	<b>EASY SOLUTION</b>
Microwave oven interfering with radio, TV or similar equipment	<ul style="list-style-type: none"><li>• Clean door and sealing surface of the oven.</li><li>• Reorient the receiving antenna of radio or television.</li><li>• Relocate the microwave oven with respect to the receiver.</li><li>• Move the microwave oven away from the receiver.</li><li>• Plug the microwave oven into a different outlet so that microwave oven and receiver are on different branch circuits.</li></ul>
Dim microwave oven light	<ul style="list-style-type: none"><li>• When operating on low power levels, the microwave oven light may be dimmer.</li></ul>
Steam accumulating on door and hot air coming out from vents.	<ul style="list-style-type: none"><li>• During operation, steam may be produced. Most will exit through the vents; however, some may accumulate around the oven door.</li></ul>

<b>POSSIBLE PROBLEM</b>	<b>POSSIBLE REASON</b>	<b>EASY SOLUTION</b>
Microwave oven will not start	<ul style="list-style-type: none"><li>• Power cord not plugged in properly.</li><li>• Fuse blown or circuit breaker problem.</li><li>• Trouble with outlet.</li></ul>	<ul style="list-style-type: none"><li>• Unplug, put the plug in again and switch on.</li><li>• Replace the fuse or reset circuit breaker.</li><li>• Have a professional check that the outlet is not faulty.</li></ul>
Microwave oven does not heat	<ul style="list-style-type: none"><li>• Door not closed properly.</li></ul>	<ul style="list-style-type: none"><li>• Ensure door is shut properly.</li></ul>
Glass turntable makes noise during operation.	<ul style="list-style-type: none"><li>• Turntable roller not assembled properly or needs to be cleaned.</li></ul>	<ul style="list-style-type: none"><li>• Reset and clean if necessary.</li></ul>



Notes

## Breville Customer Service Centre

### **Australian Customers**

**Phone:** 1300 139 798

**Web:** [www.breville.com](http://www.breville.com)

### **New Zealand Customers**

**Phone:** 0800 273 845

**Web:** [www.breville.com](http://www.breville.com)

# **Breville®**

**Master Every Moment™**

Breville, the Breville Logo, Master Every Moment and Compact Wave are trademarks of Breville Pty Ltd ("Breville") and Breville's products are distributed in the USA and Canada under license.  
Breville, la Breville Logo, Master Every Moment, Combi Wave, Element iQ, Power Smoothing et A Bit More sont des marques de commerce de Breville Pty Ltd ("Breville") et les produits Breville sont distribués aux États-Unis et au Canada sous licence.  
Copyright Breville Pty. Ltd. 2020.

Due to continued product improvement, the products illustrated/photographed in this booklet may vary slightly from the actual product.

BMO650 ANZ – C20