



# DEHUMIDIFIER

**SAFETY INFORMATION** .....3

**OPERATING INSTRUCTIONS**

Controls .....4

Other Features .....5

Installation Instructions .....6

How the Dehumidifier Operates .....7

Automatic Defrost .....7

Choosing a Location .....7

Removing Collected Water .....8

Water Level .....8

Bucket Operation .....8

**CARE AND CLEANING**

Grille and Case .....9

Water Bucket .....9

Air Filter .....9

**TROUBLESHOOTING TIPS**.....10

**CONSUMER SUPPORT**

Limited Warranty ..... 11

Consumer Support ..... 12

**OWNER'S MANUAL**

APHR50

**ENGLISH/ESPAÑOL**

Write the model and serial numbers here:

Model # \_\_\_\_\_

Serial # \_\_\_\_\_

You can find them on a label on the back of the dehumidifier.

## **THANK YOU FOR MAKING GE APPLIANCES A PART OF YOUR HOME.**

---

Whether you grew up with GE Appliances, or this is your first, we're happy to have you in the family.

We take pride in the craftsmanship, innovation and design that goes into every GE Appliances product, and we think you will too. Among other things, registration of your appliance ensures that we can deliver important product information and warranty details when you need them.

Register your GE appliance now online. Helpful websites and phone numbers are available in the Consumer Support section of this Owner's Manual. You may also mail in the pre-printed registration card included in the packing material.



# IMPORTANT SAFETY INFORMATION

## READ ALL INSTRUCTIONS BEFORE USING THE APPLIANCE

### ▲WARNING

For your safety, the information in this manual must be followed to minimize the risk of fire, electric shock or personal injury.

- Use this appliance only for its intended purpose as described in this Owner's Manual.
- This dehumidifier must be properly installed and grounded as described in this manual before it is used.
- Never operate this dehumidifier in an area that is likely to accumulate standing water. If this condition develops, for your safety disconnect the power supply before stepping into the water.
- Never unplug your dehumidifier by pulling on the power cord. Always grip plug firmly and pull straight out from the receptacle.
- Immediately replace all electric service cords that have become frayed or otherwise damaged. A damaged power supply cord must be replaced with a new power supply cord obtained from the manufacturer and not repaired. Do not use a cord that shows cracks or abrasion damage along its length or at either the plug or connector end.
- If the receptacle does not match the plug, the receptacle must be changed out by a qualified electrician
- If the SUPPLY CORD is damaged, it must be replaced by the manufacturer, its service agent or similarly qualified person in order to avoid a hazard.
- The appliance shall be installed in accordance with national wiring regulations.
- Turn the dehumidifier OFF and unplug it before cleaning.
- Haier does not support any servicing of the dehumidifier. We strongly recommend that you do not attempt to service the dehumidifier yourself.
- For your safety, do not store or use combustible materials, gasoline or other flammable vapors or liquids in the vicinity of this or any other appliance.
- All dehumidifiers contain refrigerants, which under federal law must be removed prior to product disposal. If you are getting rid of an old product with refrigerants, check with the company handling disposal about what to do.
- Do not use outdoors.
- This dehumidifier is intended for indoor residential applications only. This dehumidifier should not be used for commercial or industrial applications.
- These R410A Dehumidifier Systems require contractors and technicians to use tools, equipment and safety standards approved for use with this refrigerant. DO NOT use equipment certified for R22 refrigerant only.
- This appliance can be used by persons with reduced physical, sensory or mental capabilities or lack of experience and knowledge if they have been given supervision or instruction concerning use of the appliance in a safe way and understand the hazards involved.

### ▲WARNING

#### USE OF EXTENSION CORDS

**RISK OF FIRE. Could cause serious injury or death.**

- DO NOT use an extension cord with this Dehumidifier.

- DO NOT use surge protectors or multi-outlet adaptors with this Dehumidifier.

#### HOW TO CONNECT ELECTRICITY

Do not, under any circumstances, cut or remove the third (ground) prong from the power cord. For personal safety, this appliance must be properly grounded.

DO NOT use an adapter plug with this appliance.

The power cord of this appliance is equipped with a 3-prong (grounding) plug which mates with a standard 3-prong (grounding) wall outlet to minimize the possibility of electric shock hazard from this appliance.

Have the wall outlet and circuit checked by a qualified electrician to make sure the outlet is properly grounded.

Where a 2-prong wall outlet is encountered, it is your personal responsibility and obligation to have it replaced with a properly grounded 3-prong wall outlet.

The dehumidifier should always be plugged into its own individual electrical outlet, which has a voltage rating matching the rating plate.

This provides the best performance and also prevents overloading house wiring circuits, which could cause a fire hazard from overheated wires.

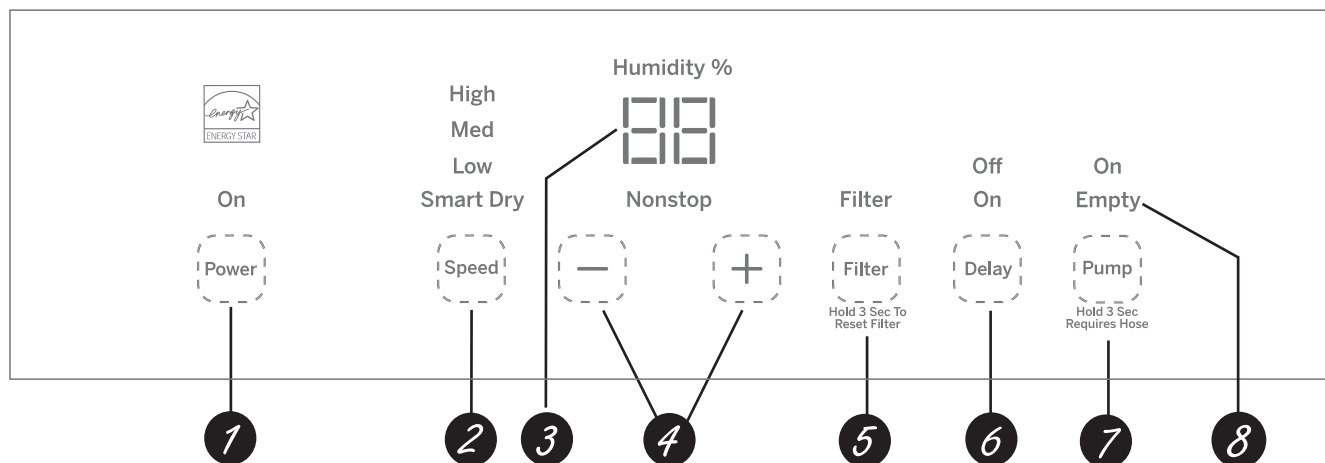
#### RECYCLING INFORMATION

For appliance recycling information please visit [www.geappliances.com/recycling](http://www.geappliances.com/recycling).

## READ AND SAVE THESE INSTRUCTIONS

# Controls

Appearance may vary by model.



## Controls

**NOTE:** When the bucket is full or removed, the controls cannot be set.

### 1. Power Pad

Press to turn the dehumidifier on and off.

**NOTE:** Turning off the power by pressing the Power button does NOT disconnect the appliance from power supply.

### 2. Fan Speed Pad

Controls the fan speed.

Press to select either **High, Medium, Low, or Smart Dry** fan speed.

Set the fan control to High for maximum moisture removal.

When the humidity has been reduced and quiet operation is preferred, set the fan control to Medium or Low. Smart Dry compares the set humidity level with the actual humidity and adjusts the fan speed automatically.

### 3. Display

Shows the set % humidity level while setting, then shows the actual (+/- 5% accuracy) room % humidity level.

### 4. Humidity Set Control Pads

The humidity level can be set within a range of 35% RH (Relative Humidity) to 80% RH (Relative Humidity) in 5% increments or in Nonstop mode for continuous operation. To set the unit for continuous operation, press the ▼ pad until the "Nonstop" indicator light is illuminated.

**NOTE:** If Nonstop is selected, the dehumidifier will operate continuously at its maximum dehumidification settings if attached to a hose to drain or until the bucket is full. For drier air, press the ▼ pad and set to a lower percent value (%). For damper air, press the ▲ pad and set to a higher percent value (%). When you first use the dehumidifier, set the humidity control to 45% or 50%. Allow at least 24 hours for the dehumidifier to achieve the humidity level. If you still have damper air than desired, set the humidity level to a lower setting or select Nonstop for maximum dehumidification.

### 5. Filter Timer

After 250 hours of operation, the Clean the Filter indicator light will glow to remind you to clean the filter. Remove the filter and clean it. Press and hold **Filter** button for 3 seconds to reset the filter reminder. See the Care and Cleaning section.

### 6. Delay Off

While the dehumidifier is operating press the **Delay** button.

Press the ▲ / ▼ buttons to select the number of hours you want the dehumidifier to continue to operate before turning Off.

**NOTE:** After displaying the time, the Display will revert to showing the current humidity after 5 seconds have passed. Pressing the **Delay** button will display the number of hours left on the delay.

#### Delay On

While the dehumidifier is off press the **Delay** button.

Press the ▲ / ▼ buttons to select the number of hours you want the dehumidifier to remain off before turning On.

**NOTE:** The display will show the number of hours left until the dehumidifier turns on.

#### To cancel the Delay:

Press the **Delay** button once, the hours remaining on the Delay will appear on the display. Press the **Delay** button again and the Delay will be cancelled.

### 7. Pump

Activates the internal pump function. Press for 3 seconds to activate the internal pump for automatic removal of condensate. The internal pump indicator light will remain illuminated after 3 seconds. Press to deactivate the pump. Before turning on the pump, ensure the hose is connected.

### 8. Empty Indicator

The "Empty" indicator will blink when the bucket is ready to be emptied, or when the bucket is removed and/or not replaced in the proper position.

# Other Features

---

## **Alarm**

If the bucket is full or missing, an alarm will sound for about 10 seconds to remind you to empty and replace the bucket.

## **Auto Defrost**

When frost builds up on the evaporator coils, the compressor will cycle off and the fan will continue to run until the frost disappears.

## **Power Outage**

In the case of a power outage or interruption, the unit will automatically restart, in the settings last used, after the power is restored.

# Using the Dehumidifier

When first using the dehumidifier, operate the unit continuously for 24 hours.

## How the Dehumidifier Operates

Moist, humid air is drawn over a cold refrigerated dehumidifying coil. Moisture in the air condenses on this coil and drains into a bucket (or through a hose and drain).

Dry, clean air is drawn through the condenser where it is

heated and discharged out the top grille into the room.

It is normal for the surrounding air to become slightly warmer as the dehumidifier operates.

## Automatic Defrost

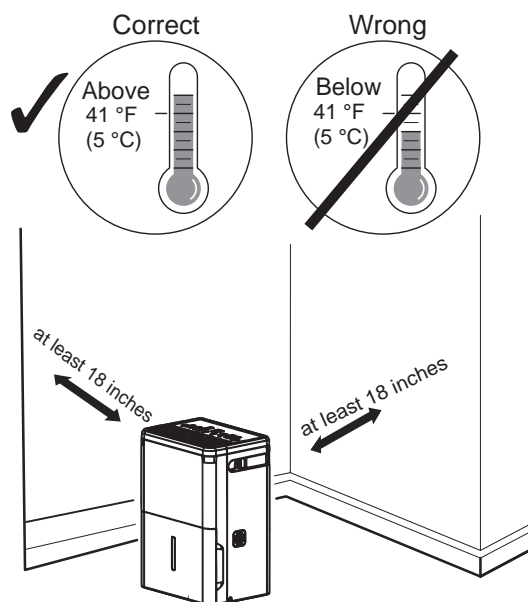
When frost builds up on the evaporator coils, the compressor will cycle off and the fan will continue to run until the frost disappears.

When the coil is defrosted, the compressor or fan will automatically restart and dehumidifying will resume.

## Choosing a Location

A dehumidifier operating in a basement will have little or no effect in drying an adjacent enclosed storage area, such as a closet, unless there is adequate circulation of air in and out of the area.

- **Do not use outdoors.**
- This dehumidifier is intended for indoor residential applications only. This dehumidifier should not be used for commercial or industrial applications.
- Place the dehumidifier on a smooth, level floor strong enough to support the unit with a full bucket of water.
- Allow at least 18 inches of air space on all sides of the unit for good air circulation.
- Place the dehumidifier in an area where the temperature will not fall below 41°F (5°C) or above 90°F (32°C). The coils can become covered with frost at temperatures below 41°F, which may reduce performance.
- The suggested range of relative humidity is between 40% and 50%
- Use the dehumidifier in cooking, laundry and dishwashing areas that have excessive moisture.  
**NOTE:** Place the dehumidifier away from the clothes dryer.
- Use the dehumidifier to prevent moisture damage anywhere books or valuables are stored.
- Use the dehumidifier in a basement to help prevent moisture damage.
- The dehumidifier must be operated in an enclosed area to be most effective.
- Close all doors, windows and other outside openings to the room.



**NOTE:** The dehumidifier has casters to aid placement, but it should only be rolled on smooth, flat surfaces. Do not attempt to roll the dehumidifier on carpet or over objects.

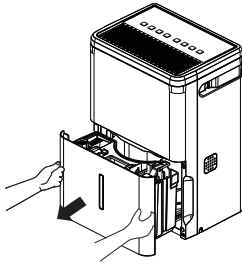
# Using the Dehumidifier

Always make sure the water bucket is locked into place on the dehumidifier.

## Removing Collected Water

There are 3 ways to remove collected water:

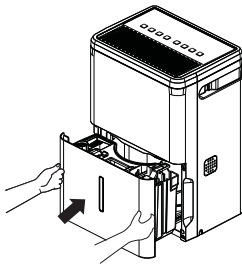
**Use the bucket.** When the bucket is removed, the unit will shut off. Empty and replace the bucket.



**IMPORTANT:** Do not use the hose if using the bucket to collect water. When the hose is connected, water will flow through it onto the floor instead of into the bucket.

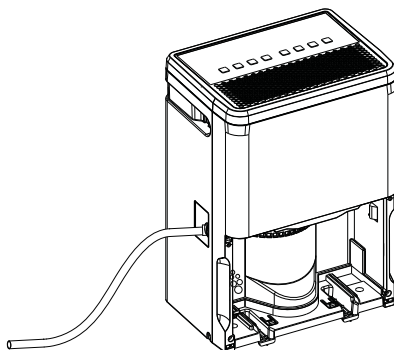
### NOTES:

- Do not remove the bucket while the dehumidifier is operating or if it has just stopped operating. This might cause some water to drip from the drain pan.
- The bucket must be in place and securely seated for the dehumidifier to operate.

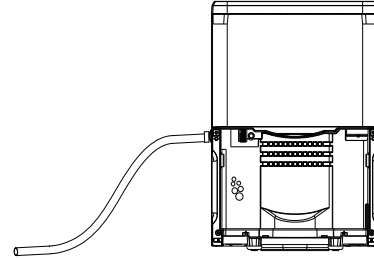


**Use a hose.** Water can be automatically emptied into a floor drain by attaching a garden water hose (not included).

1. Remove the bucket from the front of the unit.
2. Open the drain cover on the side of the unit.



3. Thread a garden hose (not supplied) onto the nozzle and ensure it is seated securely. Cut to length and lead it to the floor drain.



4. Replace the bucket in the unit.

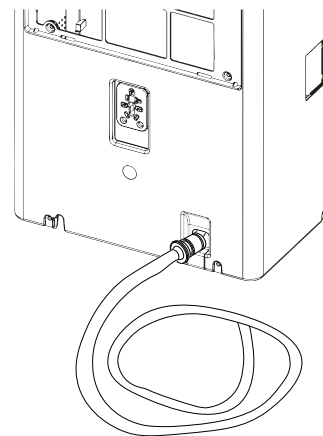
**NOTE:** The bucket must be in place and securely seated for the dehumidifier to operate. The drain hose must run down from the dehumidifier to the floor drain.

**Use the internal pump.** Water can be automatically emptied into a remote location by attaching the included pump hose.

1. Attach the pump hose to the hose connector by pushing the tube fitting into the connector until it fits into place (should not be able to remove the hose when pulled).
2. Position the hose discharge to the desired location.
3. Make sure the pump is activated. To activate the pump, press and hold the Pump button for 3 seconds. The Pump indicator light will flash then remain illuminated once the 3 seconds are complete.

**IMPORTANT:** Make sure the condensate hose is properly connected and is not kinked, bent or cracked as this may cause water to flow onto the floor. Please ensure the bucket is empty before putting the unit into pump mode. The bucket must also be fully seated for the pump to work properly. Do not operate the machine if the room temperature is 41°F or below.

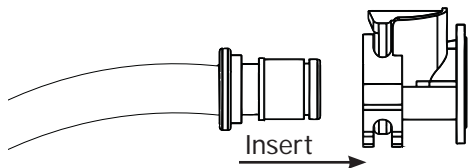
**NOTE:** Maximum lift height is 16ft.



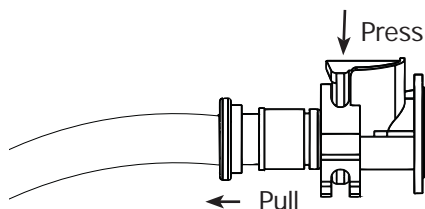
# Using the Dehumidifier

## Removing Collected Water (cont)

**To Install Hose:** Push in hose and gently pull to make sure it is secure. Should not be able to be removed. You should hear a “click” that lets you know the hose is inserted



correctly.



**To Release Hose:** Press the blue button on top of the connector attached to the dehumidifier and pull the hose out to remove. Be sure to turn off the pump before removing the hose.

**NOTE:** DO NOT kink or crimp hose, as it can block water flow.

## Water Level

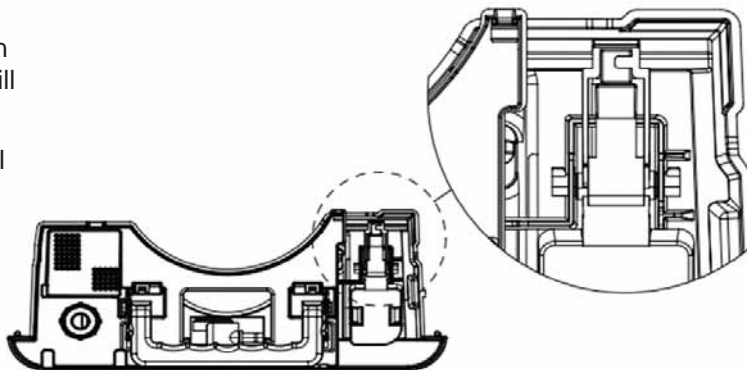
The dehumidifier will turn off automatically when the bucket is full, or when the bucket is removed or not replaced in the proper position.

The bucket must be replaced in the proper position for the dehumidifier to work. The light will be on and the dehumidifier will not run if the bucket is not in the proper position.

## Bucket Operation

DO NOT remove the foam piece and magnet block in the bucket assembly. If removed, the Dehumidifier will not work properly.

When the coil is defrosted, the compressor or fan will automatically restart and dehumidifying will resume.





# Care and Cleaning

Turn off the dehumidifier and remove the plug from the wall outlet before cleaning.

## Grille and Case

### To clean the case:

Use water and a mild detergent. Do not use bleach or abrasives.

### To clean the rear grille:

Use a vacuum attachment or brush.

## Water Bucket

### To clean:

Every few weeks, clean the bucket to prevent growth of mold, mildew and bacteria. Partially fill the bucket with clean water and add a little mild detergent. Swish it around in the bucket, empty and rinse.

**NOTE:** Do not use a dishwasher to clean the water bucket.

### To remove:

Remove the bucket and pour out any water.

### To replace:

Slide the bucket into the dehumidifier.

**NOTE:** The bucket must be in place and securely seated for the dehumidifier to operate.

## Air Filter

The air filter behind the rear grille should be checked and cleaned at least every 250 hours of operation or more often if necessary.

After 250 hours of operation, the Filter indicator light will glow to remind you to clean the filter. Remove the filter and clean it. Replace the filter and press and hold the filter button for 3 seconds.

### To remove:

Remove the rear grille and the filter will be attached.

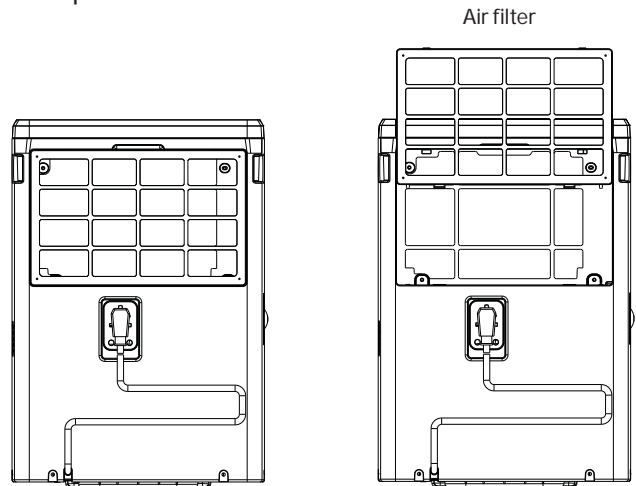
### To clean:

Clean the filter with warm, soapy water. Rinse and let the filter dry before replacing it.

**NOTE:** DO NOT put the filter in an automatic dishwasher.

### CAUTION

DO NOT operate the dehumidifier without a filter because dirt and lint will clog the unit and reduce performance.

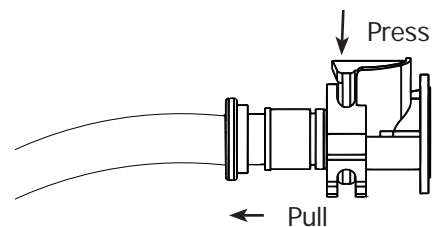


## Storage

If the unit is to be stored for an extended period of time, take the following actions before putting away the machine.

1. Empty the bucket of all water.
2. Clean the water bucket per instructions.
3. Allow water bucket to dry and reinstall.
4. Remove pump hose and store with unit.

**To Release Hose:** Press the blue button on top of the connector attached to the dehumidifier and pull the hose out to remove.



# Troubleshooting Tips... Before you call for service

Save time and money! Review the charts on the following pages first and you may not need to call for service.

Problem	Possible Cause	What To Do
Dehumidifier does not start	<b>The dehumidifier is unplugged.</b>	Makes sure the dehumidifier's plug is pushed completely into the outlet.
	<b>The fuse is blown/circuit breaker is tripped.</b>	Check the house fuse/circuit breaker box and replace the fuse or reset the breaker.
	<b>Dehumidifier has reached its set humidity level or bucket is full.</b>	The dehumidifier automatically turns off when either condition occurs. Change to a lower setting or empty the bucket and replace properly.
	<b>Bucket is not in the proper position.</b>	The bucket must be in place and securely seated for the dehumidifier to operate.
	<b>Power Failure.</b>	There is a protective time delay (up to 3 minutes) to prevent tripping of the compressor overload. For this reason, the unit may not start normal dehumidification for 3 minutes after turning back on.
Dehumidifier does not dry the air as it should	<b>Did not allow enough time to remove the moisture.</b>	When first installed, allow at least 24 hours to maintain the desired dryness.
	<b>Airflow is restricted.</b>	Make sure there are no curtains, blinds or furniture blocking the top or back of the dehumidifier. See the Choosing a Location section.
	<b>Dirty Filter</b>	See the Care and Cleaning section.
	<b>The Humidity Control may not be set low enough.</b>	For drier air, press the ▼ pad and set to a lower percent value (%) or at NS (Nonstop) for maximum dehumidification.
	<b>Doors and windows may not be closed tightly.</b>	Check that all doors, windows and other openings are securely closed.
	<b>Clothes dryer may be blowing moisture-laden air into the room.</b>	Install the dehumidifier away from the dryer. The dryer should be vented to the outside.
	<b>Room temperature is too low.</b>	Moisture removal is best at higher room temperatures. Lower room temperatures will reduce the moisture removal rate. Models are designed to be operated at temperatures above 41°F (5°C).
Dehumidifier runs too much	<b>Area to be dehumidified is too large.</b>	The capacity of your dehumidifier may not be adequate.
	<b>Doors and windows are open.</b>	Close all doors and windows to the outside.
Frost appears on the coils	<b>Room temperature is below 41°F (5°C)</b>	Please operate unit at temperatures above 41°F (5°C). Frost will usually disappear within 60 minutes. Under certain conditions, frost may appear on the coils of your dehumidifier at temperatures above 41°F (5°C). This is normal and frost will usually disappear within 60 minutes. See the Automatic Defrost section.
Fan noise	<b>Air is moving through the dehumidifier.</b>	This is normal.
Water on floor	<b>Hose connection may be loose.</b>	Check the hose connection. See the Removing Collected Water section.
	<b>Intended to use the bucket to collect water, but a hose was attached.</b>	Disconnect the hose if using a bucket to collect water. See the Removing Collected Water section.
Bucket Full LED light flashing and alarm sounds while drain hose is connected.	<b>Drain hose not tight on fitting.</b>	Check drain hose connection.
	<b>Drain hose is kinked.</b>	Ensure the drain hose is pointed straight down to the floor and is not kinked in anyway.
Bucket fills up when using drain pump	<b>Unit not in pump mode</b>	Ensure pump is turned on and pump light is illuminated
	<b>Pump hose not installed</b>	Ensure pump hose is properly installed on back of unit
	<b>Water level sensor issue</b>	This may be caused by very humid conditions or error with float sensor. Check unit for a P1 error code on display. If this is present - turn off the unit, unplug unit for a few seconds, plug back in and turn on the unit to reset sensor. If this error continues to occur refer to warranty section for exchange options.

# GE Appliances Dehumidifier Limited Warranty

**LIMITED WARRANTY**

For The Period Of:	Will Replace:
One Year From the date of the original purchase	<b>Replacement, repair, or refund</b> of the original retail price for any product which fails due to a defect in materials or workmanship. If the unit is exchanged, the replacement unit is warranted for the remainder of your product's original one-year warranty period. GE Appliances will, at its sole discretion, replace the product with a product of the same or comparable functionality and quality or refund the original retail price.

## In Order to Make a Warranty Claim During Your Retailer's Allowable Return Period:

- Properly pack your unit. We recommend using the original carton and packing materials.
- Return the product to the retail location where it was purchased.
- Include in the package a copy of the sales receipt or other evidence of date of original purchase. Also print your name and address and a description of the defect.

## In Order to Make a Warranty Claim During the Remainder of the One-Year Warranty:

- Locate your sales receipt and make note of the model and serial number.
- Call 800-432-2737 to initiate a warranty claim.
- You will be asked to provide your name, address, receipt information, model and serial number.
- Warranty claims may require electronic or mailed-in evidence of purchase.

## What Will Not Cover:

- Customer instruction. This owner's manual provides information regarding operating instructions and user controls.
- Improper installation. If you have an installation problem, or if the dehumidifier is of improper capacity, contact your dealer or installer. You are responsible for providing adequate electrical connecting facilities.
- Failure of the product resulting from modifications to the product or due to unreasonable use including failure to provide reasonable and necessary maintenance.
- Replacement of house fuses or resetting of circuit breakers.
- Failure due to corrosion on models not corrosion-protected.
- Damage to the product caused by improper power supply voltage, accident, fire, floods or acts of God.
- Incidental or consequential damage caused by possible defects with this dehumidifier.
- Damage caused after delivery.

**EXCLUSION OF IMPLIED WARRANTIES - Your sole and exclusive remedy is product repair as provided in this Limited Warranty. Any implied warranties, including the implied warranties of merchantability or fitness for a particular purpose, are limited to one year or the shortest period allowed by law.**

This limited warranty is extended to the original purchaser and any succeeding owner for products purchased for home use within the USA. If the product is located in an area where service by a GE Appliances Authorized Servicer is not available, you may be responsible for a trip charge or you may be required to bring the product to an Authorized GE Appliances Service location for service. In Alaska, the limited warranty excludes the cost of shipping or service calls to your home.

Some states do not allow the exclusion or limitation of incidental or consequential damages. This limited warranty gives you specific legal rights, and you may also have other rights which vary from state to state. To know what your legal rights are, consult your local or state consumer affairs office or your state's Attorney General.

**Warrantor:**  
**GE Appliances, a Haier company**  
**Louisville, KY 40225**

Staple your receipt here. Proof of the original purchase date is needed to obtain service under the warranty.

# Consumer Support

---

## GE Appliances Website

Have a question or need assistance with your appliance? Try the GE Appliances Website 24 hours a day, any day of the year! You can also shop for more great GE Appliances products and take advantage of all our on-line support services designed for your convenience. In the US: **GEAppliances.com**

---

## Register Your Appliance

Register your new appliance on-line at your convenience! Timely product registration will allow for enhanced communication and prompt service under the terms of your warranty, should the need arise. You may also mail in the pre-printed registration card included in the packing material. In the US: **GEAppliances.com/register**

---

## Extended Warranties

Purchase a GE Appliances extended warranty and learn about special discounts that are available while your warranty is still in effect. You can purchase it on-line anytime. GE Appliances Services will still be there after your warranty expires. In the US: **GEAppliances.com/extended-warranty** or call 800.626.2224 during normal business hours.

---

## Parts and Accessories

Individuals qualified to service their own appliances can have parts or accessories sent directly to their homes (VISA, MasterCard and Discover cards are accepted). Order on-line today 24 hours every day.

In the US: **GEApplianceparts.com** or by phone at 877.959.8688 during normal business hours.

**Instructions contained in this manual cover procedures to be performed by any user. Other servicing generally should be referred to qualified service personnel. Caution must be exercised, since improper servicing may cause unsafe operation.**

---

## Contact Us

If you are not satisfied with the service you receive from GE Appliances, contact us on our Website with all the details including your phone number, or write to:

In the US: General Manager, Customer Relations | GE Appliances, Appliance Park | Louisville, KY 40225  
**GEAppliances.com/contact**



# DESHUMEDIFICADOR

**INFORMACIÓN DE SEGURIDAD** .....3

**INSTRUCCIONES DE OPERACIÓN**

Controles .....4  
 Otras funciones.....5  
 Instrucciones de instalación.....6  
 Cómo funciona el deshumedificador .....7  
 Descongelado automático .....7  
 Selección del lugar adecuad .....7  
 Cómo desechar el agua acumulada .....8  
 Nivel de agua .....8  
 Funcionamiento del Balde .....8

**CUIDADO Y LIMPIEZA**

Rejilla y gabinete .....9  
 Tanque de agua .....9  
 Filtro de aire .....9

**CONSEJOS PARA LA SOLUCIÓN DE PROBLEMAS** .....10

**AYUDA AL CLIENTE**

Garantía Limitada..... 11  
 Ayuda al cliente ..... 12

**MANUAL DEL PROPIETARIO**

APHR50

Escriba los números de modelo y serie aquí:

# de Modelo \_\_\_\_\_

# de Serie \_\_\_\_\_

Puede encontrar estos números en una etiqueta en la parte atrás del deshumedificador.

## **GRACIAS POR HACER QUE GE APPLIANCES SEA PARTE DE SU HOGAR.**

---

Ya sea que haya crecido usando GE Appliances, o que ésta es su primera vez, nos complace tenerlo en la familia.

Sentimos orgullo por el nivel de arte, innovación y diseño de cada uno de los electrodomésticos de GE Appliances, y creemos que usted también. Entre otras cosas, el registro de su electrodoméstico asegura que podamos entregarle información importante del producto y detalles de la garantía cuando los necesite.

Registre su electrodoméstico GE ahora a través de Internet. Sitios Web y números telefónicos útiles están disponibles en la sección de Soporte para el Consumidor de este Manual del Propietario.

También puede enviar una carta en la tarjeta de inscripción preimpresa que se incluye con el material embalado.



**GE APPLIANCES**

# INFORMACIÓN IMPORTANTE DE SEGURIDAD

LEA TODAS LAS INSTRUCCIONES ANTES DE USAR ESTE ELECTRODOMÉSTICO

## ⚠ ADVERTENCIA

Por su seguridad, se debe seguir la información en este manual para minimizar el riesgo de incendios, descargas eléctricas o lesiones personales.

- Use este electrodoméstico solamente para el propósito determinado según se describe en este Manual del propietario.
- Este deshumidificador debe instalarse correctamente y conectado a tierra de acuerdo con las instrucciones de este manual antes de su uso.
- Nunca opere este deshumidificador en un área en la que es posible que se acumule agua. De encontrarse en estas condiciones, por su seguridad, desconecte el suministro de corriente eléctrica antes de pisar sobre el agua.
- Nunca desenchufe su deshumidificador tirando del cable eléctrico. Siempre agarre firmemente el enchufe y tire de él directamente hacia afuera.
- Reemplace inmediatamente todos los cables eléctricos que se hayan pelado o que se hayan dañado de alguna otra manera. Un cable de corriente dañado no debe repararse, sino que debe ser sustituido por uno nuevo que se adquiera del fabricante. No use un cable eléctrico que muestre evidencias de deterioro, o daños de abrasión en su superficie en alguno de sus extremos.
- Si el receptáculo no coincide con el enchufe, un electricista calificado debe reemplazar el receptáculo.
- Si el CABLE DE ALIMENTACION está dañado, deberá ser reemplazado por el fabricante, su agente de servicios o una persona con calificación similar a fin de evitar riesgos.
- El electrodoméstico deberá ser instalado de acuerdo con las regulaciones de cableado nacionales.
- Apague el control y desenchufe su deshumidificador antes de hacer cualquier reparación o limpiar.
- GE Appliances no está ni apoya que se le proporcione ningún servicio al deshumidificador. Vehementemente recomendamos que usted no intente proporcionar servicio al deshumidificador usted mismo.
- Por su seguridad, no almacene ni use materiales combustibles, gasolina u otros vapores o líquidos inflamables en la proximidad de éste o algún otro electrodoméstico.
- No use el deshumidificador en exteriores.
- Este deshumidificador está diseñado exclusivamente para aplicaciones residenciales de interior. No debe usarse para aplicaciones comerciales ni industriales.
- Estos Sistemas Deshumidificadores R410A requieren que los contratistas y técnicos utilicen herramientas, equipamiento y normas de seguridad aprobadas para su uso con este refrigerante. NO utilice equipamiento certificado sólo para refrigerante R22.
- Este electrodoméstico puede ser usado por personas con capacidades físicas, sensoriales o mentales reducidas o con falta de experiencia y conocimiento, si les fue dada supervisión o instrucción relacionada con el uso de este electrodoméstico de una forma segura y entienden los riesgos involucrados.
- Este electrodoméstico puede ser usado por personas con capacidades físicas, sensoriales, o mentales reducidas o con falta de experiencia y conocimiento, si les fue dada supervisión o instrucción relacionada con el uso de este electrodoméstico de una forma segura y entienden los riesgos involucrados.

## ⚠ ADVERTENCIA

### USO DE PROLONGADORES

**RIESGO DE INCENDIO. Podría ocasionar lesiones graves o la muerte.**

- NO use prolongadores con este Deshumidificador.
- NO use protectores contra picos de corriente ni adaptadores para múltiples tomacorrientes con este Deshumidificador.

### COMO CONECTAR LA ELECTRICIDAD

Bajo ninguna circunstancia, corte o remueva la tercera púa (tierra) del cable eléctrico. En pos de la seguridad personal, este electrodoméstico debe siempre conectarse a tierra.

NO USE un enchufe adaptador con este aparato.

El cable eléctrico de este electrodoméstico está equipado con un enchufe de tres púas (tierra) que combina con un tomacorriente estándar de tres tomas de pared para minimizar la posibilidad de una descarga eléctrica.

Pida a un técnico que inspeccione el tomacorriente y el circuito para cerciorarse de que el tomacorriente está conectado a tierra de la manera apropiada.

Donde exista un tomacorriente de dos tomas, es su responsabilidad y obligación personal hacer que dicho tomacorriente sea reemplazado por uno de tres tomas con conexión a tierra.

El deshumidificador debería siempre estar conectado a un tomacorriente individual con su circuito de voltaje correspondiente.

Esto proporciona el mayor rendimiento y además evita que los circuitos del resto de la casa se sobrecarguen, lo cual podría causar incendios por el sobrecalentamiento del cableado.

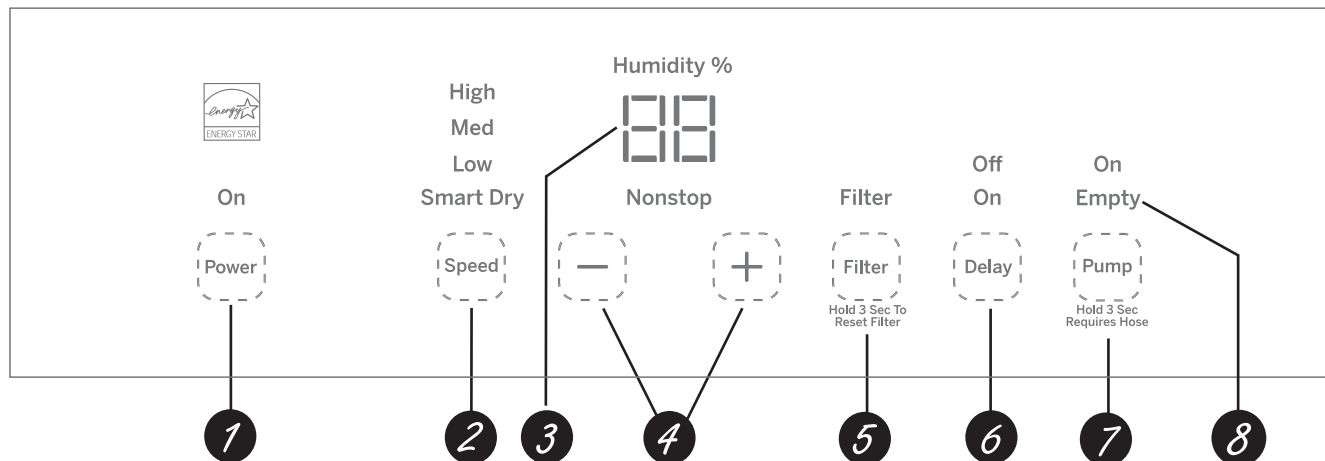
### INFORMACIÓN SOBRE CÓMO RECICLAR

Para acceder a información sobre como reciclar sus electrodomésticos, ingrese a [www.geappliances.com/recycling](http://www.geappliances.com/recycling).



# Controles

La apariencia puede variar de acuerdo al modelo.



## Controles

**NOTA:** Cuando el recipiente está lleno o es retirado, los controles no pueden ser ajustados.

### 1. Power Pad

Presione para encender o apagar el deshumidificador.

**NOTA:** Apagar el encendido presionando el botón **Power** NO desconecta el electrodoméstico del suministro de corriente.

### 2. Botón de velocidad del ventilador (Fan Speed)

Controla la velocidad de circulación del aire.

Presione para seleccionar la velocidad del ventilador en High, Medium o Low.

Coloque el control del ventilador a High velocidad para lograr remover la mayor cantidad de humedad. Cuando la humedad haya sido reducida y usted prefiera una operación más tranquila, coloque el control del ventilador a Medium o Low velocidad.

### 3. Pantalla

Muestra el % del nivel de humedad programado durante la configuración, luego muestra el % del nivel de humedad real de la habitación (con una precisión de +/- 5%).

### 4. Botones para el Control de humedad (Humidity Set Control)

El nivel de humedad se podrá configurar dentro de un rango de humedad relativa (RH) de entre el 35% y el 80%, por incrementos del 5% o en el modo Nonstop (Ininterrumpido) para un funcionamiento continuo. A fin de configurar la unidad para un funcionamiento continuo, presione la tecla ▼ hasta que la luz indicadora de "Nonstop" (Ininterrumpido) se ilumine.

**NOTA:** Si se selecciona Nonstop, el deshumidificador funcionará en forma continua en la configuración máxima de deshumidificación hasta que se llene el tanque.

Si desea aire más seco, presione el botón - y seleccione un valor porcentual más bajo (%).

Si desea aire más húmedo, presione el botón + y seleccione un valor porcentual más alto (%).

Cuando use por primera vez el deshumidificador, coloque el control del deshumidificador a 45% ó 50%. Permita que transcurran por lo menos 24 horas para que el deshumidificador alcance el nivel de humedad. Si el aire aún está más húmedo de lo deseado, ajuste el nivel de humedad a un nivel menor o seleccione el botón de funcionamiento continuo (Nonstop) para obtener una máxima deshumidificación.

### 5. Temporizador del filtro (Filter Timer)

Después de 250 horas de operación, se encenderá la luz indicadora de **Clean the Filter** para recordarle que debe limpiar el filtro. Quite el filtro y límpielo.

Mantenga presionado el botón del filtro durante 3 segundos para restablecer el recordatorio del filtro.

### 6. Retraso Desactivado

Mientras el deshumidificador se encuentra en funcionamiento, presione el botón **Delay**.

Presione los botones **Up Arrow / Down Arrow** para seleccionar la cantidad de horas que desea que el deshumidificador continúe funcionando antes de apagar el mismo.

**NOTA:** Luego de exhibir el tiempo, la pantalla pasará a mostrar el nivel de humedad actual una vez que hayan pasado 5 segundos. Presionar el botón **Delay** exhibirá la cantidad de horas restantes del retraso.

#### Retraso Activado

Mientras el deshumidificador se encuentra apagado, presione el botón **Delay** (Retraso).

Presione los botones **Up Arrow / Down Arrow** para seleccionar la cantidad de horas que desea que el deshumidificador permanezca apagado antes de encender el mismo.

**NOTA:** La pantalla mostrará la cantidad de horas restantes hasta que se encienda el deshumidificador.

#### Para cancelar el Retraso:

Al presionar el botón **Delay** una vez, aparecerá la cantidad de horas restantes del Retraso en la pantalla. Presione el botón **Delay** nuevamente y el mismo será cancelado. Presionar el botón **Power** también cancelará la función **Delay** (Retraso).

### 7. Bomba

Activa la función de la bomba interna. Presione durante 3 segundos para activar la bomba interna para el retiro automático del condensado. La luz indicadora **Pump On** titilará y luego permanecerá iluminada una vez completados los 3 segundos. Presione para desactivar la bomba. Antes de encender la bomba, asegúrese de que la manguera se encuentre conectada. Asegúrese de que el balde esté vacío antes de poner la unidad en modo de bomba.

### 8. Indicador de Vaciado

El indicador de "Vaciado" parpadeará cuando el cubo esté listo para ser vaciado, o cuando el cubo sea retirado y/o no sea reemplazado en la posición correcta.



## Otras funciones

---

### **Alarma (Alarm)**

Si el tanque se encuentra lleno o no está en su lugar, sonará una alarma durante 10 segundos para recordarle de vaciar y volver a colocar el tanque.

### **Descongelado automático (AUTO DEFROST)**

Cuando se acumule escarcha en los serpentines evaporadores, el compresor se apagará, y el ventilador continuará funcionando hasta que la escarcha desaparezca.

### **Pérdida de energía (POWER OUTAGE)**

En caso de la pérdida de la energía o interrupción, la unidad reiniciará automáticamente, en las configuraciones usadas por última vez, una vez la energía sea restablecida.

# Cómo usar el deshumidificador

Cuando se disponga a usar el deshumidificador por primera vez, permita que la unidad opere de manera continua por 24 horas.

## Cómo funciona el deshumidificador

La humedad en el aire pasa por un serpentín deshumidificador. La humedad en el aire se condensa en este serpentín y se drena hacia el tanque (o a través de la manguera y luego través del drenaje).

El aire limpio y seco pasa luego por el condensador donde es calentado y desechado de regreso al medio ambiente a través de la parrilla.

Es normal que el aire en los alrededores se caliente un poco conforme el deshumidificador funciona.

## Descongelado automático

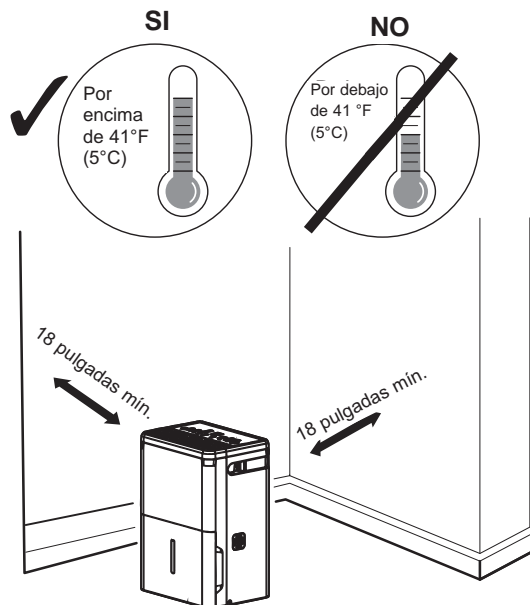
Cuando se acumule escarcha en los serpentines evaporadores, el compresor se apagará, y el ventilador continuará funcionando hasta que la escarcha desaparezca.

Cuando el evaporador se descongele, el compresor o el ventilador se encenderá automáticamente y el proceso de deshumidificación continuará.

## Selección del lugar adecuado

El deshumidificador ubicado en un sótano tendrá poco o ningún efecto en secar el aire dentro áreas adyacentes de almacenamiento, como un armario, por ejemplo, al menos que exista una circulación adecuada de aire hacia en interior y hacia el exterior de dicha área.

- No use el deshumidificador en exteriores.
- Este deshumidificador está diseñado exclusivamente para aplicaciones residenciales de interior. No debe usarse para aplicaciones comerciales ni industriales.
- Coloque el deshumidificador en un piso firme y nivelado que sea lo suficientemente fuerte para soportar la unidad cuando la cubeta esté llena de agua.
- Deje por lo menos 18 pulgadas de espacio libre alrededor de la unidad para que exista una buena circulación de aire.
- Coloque el deshumidificador en un área en la que la temperatura no sea inferior a 41 °F (5 °C) ni superior a 90°F (32°C). Los serpentines pueden escarcharse en ambientes con temperaturas inferiores a 41 °F (5 °C), lo cual puede reducir su rendimiento.
- El rango sugerido o la humedad relativa está entre 40% y 50%.
- Use el deshumidificador en áreas como la cocina, cuartos de lavado, baños, y en áreas donde exista humedad excesiva. **NOTA:** Coloque el deshumidificador lejos la secadora de ropa.
- Use el deshumidificador para evitar daños causados por la humedad en lugares donde guarde libros o artículos de valor.
- Use el deshumidificador en el sótano para ayudar a prevenir los daños causados por la humedad.
- El deshumidificador debe usarse en áreas cerradas para mayor efectividad.
- Cierre todas las puertas, ventanas y otras aberturas hacia el exterior de la habitación en donde esté el deshumidificador.



**NOTA:** El deshumidificador tiene ruedas para ayudarle a colocarlo en distintos lugares, pero debe rodarse en superficies firmes y plantas. No intente rodarlo sobre objetos o sobre una alfombra.

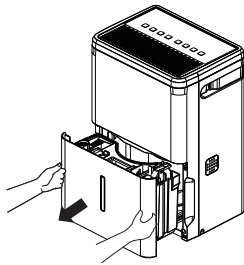
# Cómo usar el deshumedificador

Siempre cerciórese de que la tanque de agua esté asegurada en su lugar dentro del deshumedificador.

## Cómo desechar el agua acumulada

Hay 2 formas de desechar el agua acumulada

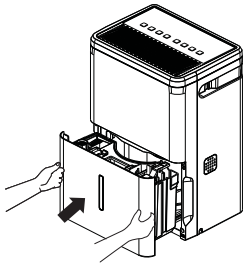
**Use el tanque.** Cuando usted saque el tanque de su lugar, la unidad se apagará. Vacíe y reinstalelo.



**IMPORTANTE:** No use el manguera si usa el tanque para recoger agua. Si el manguera está conectada, el agua caerá al piso en lugar de caer dentro del tanque.

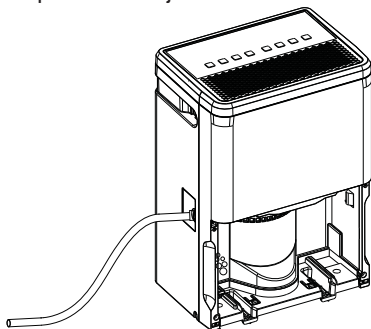
### NOTAS:

- No retire el balde con el deshumedificador en funcionamiento o si recién se apagó. Esto puede hacer que el agua gotee del recipiente de drenaje.
- El tanque debe estar en su lugar y bien sujeto para que el deshumedificador funcione.

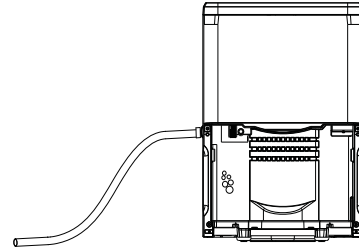


**Use una manguera.** El agua puede desecharse automáticamente hacia un drenaje en el piso si usted conecta el tubo de drenaje con boquilla de la unidad a una manguera para agua de jardín (no incluida).

1. Saque el tanque del frente de la unidad.
2. Abra la tapa de drenaje sobre el lado de



3. Enrosque una manguera de jardín (no suministrada) sobre la boquilla y asegúrese de que se encuentre bien ajustada. Corte la misma de acuerdo a la longitud y condúzcala hasta el drenaje del piso.



4. Vuelva a colocar el tanque en la unidad.

**NOTA:** El tanque debe estar en su lugar y bien sujeto para que el deshumedificador funcione. La manguera de drenaje se deberá extender desde el deshumidificador hasta el drenaje del piso.

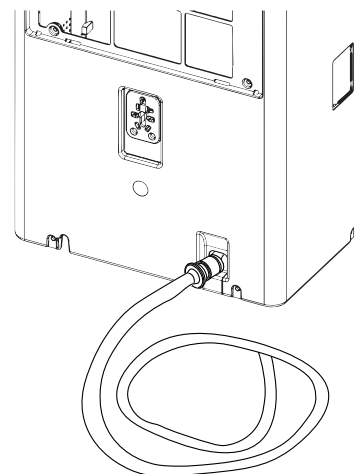
**Use la bomba interna.** El agua puede ser vaciada de forma automática en una ubicación remota, adhiriendo la manguera incluida de la bomba.

1. Adhiera la manguera de la bomba al conector de la manguera, presionando el accesorio de la tubería en el conector hasta que quede colocada correctamente (usted no debería poder retirar la manguera al empujar).
2. Posicione la descarga de la manguera en la ubicación deseada.
3. Asegúrese de que la bomba esté activada. Para activar la bomba, mantenga presionado el botón Pump On/Off (Bomba Activada/Desactivada) durante 3 segundos. La luz indicadora Pump On (Bomba Encendida) titilará y luego permanecerá iluminada una vez completados los 3 segundos.

**IMPORTANTE:** Asegúrese de que la manguera para condensado esté correctamente conectada y que no esté retorcida, inclinada ni fisurada, ya que esto puede hacer que caiga agua al piso. Asegúrese de que el balde esté vacío antes de poner la unidad en modo de bomba. El cubo también debe estar completamente apoyado para que la bomba funcione de forma correcta. No utilice la máquina si la temperatura ambiente es de 41°F o inferior.

### NOTAS:

- La altura máxima de elevación es de 16 pies.

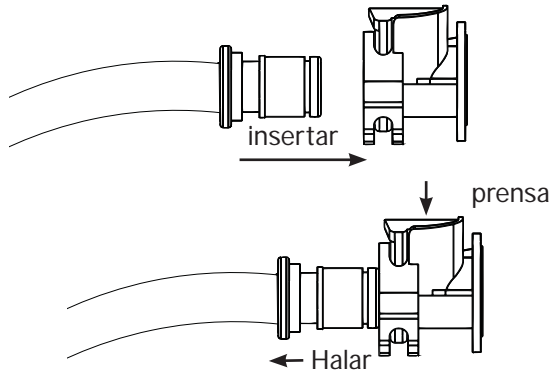


# Cómo usar el deshumidificador

## Cómo desechar el agua acumulada (cont.)

**Para Instalar la Manguera:** Empuje la manguera hacia adentro y de forma suave empuje la misma hacia usted para controlar que esté bien asegurada. No debe poder ser eliminado.

Debe escuchar un "clic" que le permite saber que la manguera está insertada correctamente.



**Para Liberar la Manguera:** Presione el botón azul en la parte superior del conector conectado al deshumidificador y extraiga la manguera para extraerla. Asegúrese de apagar la bomba antes de retirar la manguera.

**NOTE:** NO retuerza ni pellizque la manguera, ya que esto puede bloquear el flujo de agua.

## Nivel de agua

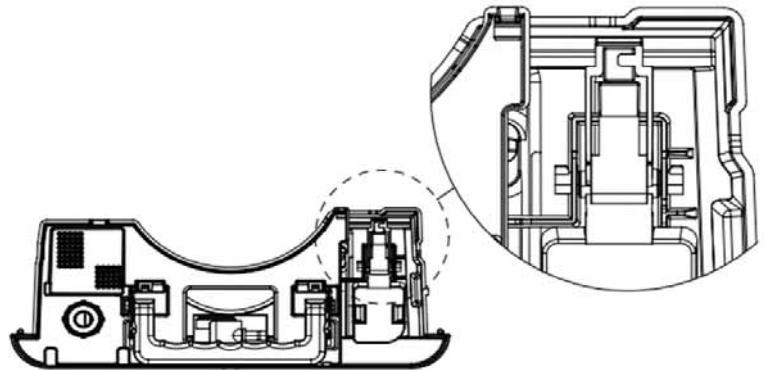
El deshumidificador se apagará automáticamente cuando el tanque se llene, o cuando el tanque sea removido o no sea colocado en la posición apropiada.

El tanque debe colocarse en la posición apropiada para que el deshumidificador funcione. La luz se encenderá y el deshumidificador no funcionará a no ser que el tanque esté colocado en la posición apropiada.

## Funcionamiento del Balde

NO retire la pieza de espuma y el bloque magnético el conjunto del cucharón. Si se quita, el deshumidificador no trabaja adecuadamente.

Cuando la bobina esté descongelada, el compresor o el ventilador se reiniciarán de forma automática y la deshumidificación será reiniciada.



# Cuidado y limpieza

Apague el deshumificador y desconecte el enchufe del tomacorriente en la pared antes de limpiarlo.

## Rejilla y gabinete

### Para limpiar el gabinete:

Use agua y un detergente de baja concentración. No use blanqueador ni limpiadores abrasivos.

### Para limpiar la rejilla superior o trasera:

Use una aspiradora con accesorio de cepillo suave o un cepillo de mano.

## Tanque de agua

### Para limpiar:

Después de algunas semanas, limpie el tanque para evitar la formación de moho, mildiú y bacterias. Llene parcialmente el tanque con agua limpia y agregue un poco de detergente suave. Agite el contenido dentro del tanque, luego vacíelo y enjuáguelo.

**NOTA:** No use una máquina lavavajillas para limpiar el tanque de agua.

### Para retirar:

Retire el tanque y deseche todo resto de agua.

### Para volver a colocar:

Coloque el tanque en el deshumificador deslizándolo.

**NOTA:** El tanque debe estar en su lugar y bien sujeto para que el deshumificador funcione.

## Filtro de aire

El filtro de aire que se encuentra detrás de la rejilla trasera se deberá revisar y limpiar por lo menos cada 250 horas de funcionamiento o con una frecuencia mayor, si fuera necesario.

Luego de 250 horas de funcionamiento, la luz indicadora de Limpieza del Filtro brillará para recordarle que se debe limpiar el filtro. Retire el filtro y limpie el mismo. Reemplace el filtro y presione la tecla Filter Timer (Temporizador del Filtro) para reiniciar el recordatorio del filtro.

### Para retirar:

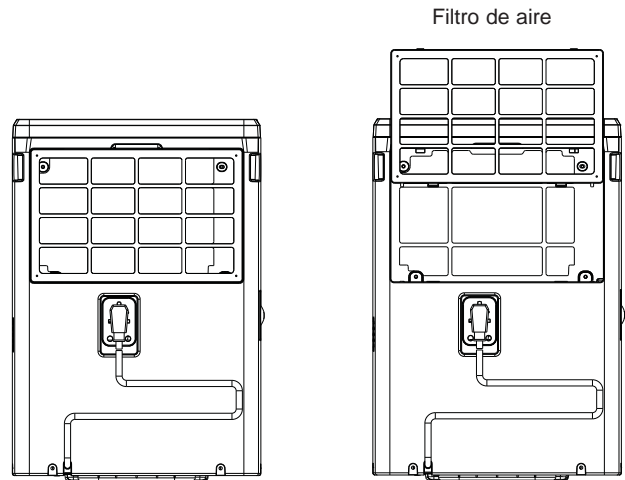
Retire la rejilla trasera y el filtro se encontrará adherido.

### Para limpiar:

Limpie el filtro con agua caliente y jabón. Enjuague y deje secar el filtro antes de su reemplazo.

**NOTA:** No enjuague ni coloque el filtro en un lavavajillas automático.

**⚠ PRECAUCIÓN** NO OPERE el deshumificador sin el filtro debido a que la suciedad y las pelusas lo obstruirán y reducirán su rendimiento.

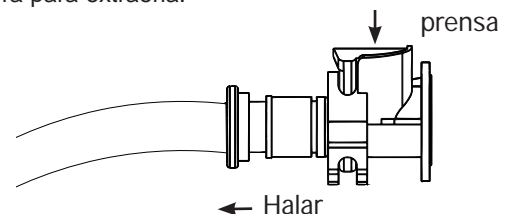


## Almacenamiento

Si la unidad estará almacenada durante un período de tiempo prolongado, realice las siguientes acciones antes de guardar la máquina.

1. Vacíe toda el agua del cubo.
2. Limpie el cubo de agua de acuerdo con las instrucciones.
3. Deje que el cubo de agua se seque y vuelva a instalar el mismo.
4. Retire la manguera de agua y guarde la misma con la unidad.

**Para Liberar la Manguera:** Presione el botón azul en la parte superior del conector conectado al deshumificador y extraiga la manguera para extraerla.



## Consejos para la Solución de Problemas... Antes de solicitar el servicio técnico

¡Ahorre tiempo y dinero! Primero revise los cuadros que aparecen en las siguientes páginas y es posible que no necesite solicitar reparaciones.

Problema	Causas posibles	Qué hacer
El deshumificador no enciende	El cable eléctrico del deshumificador está desenchufado.	Cerciórese de que la clavija del deshumificador esté conectada en la pared.
	El fusible está quemado o el disyuntor del circuito está abierto.	Revise la caja del disyuntor del circuito ó el fusible; cambie el fusible o vuelva activar el disyuntor.
	El deshumificador ha alcanzado su nivel preseleccionado o el tanque de agua está lleno.	El deshumificador se apaga automáticamente cuando ocurre alguna de las dos condiciones. Cambie a una configuración más baja o vacíe el tanque de agua y reinstale apropiadamente.
	El tanque no está en su lugar.	El tanque debe estar en su lugar y bien sujeto para que el deshumificador funcione.
	Corte de energía.	Hay una demora protectora (de hasta 3 minutos) para prevenir la interrupción de la sobrecarga del compresor. Por esa razón, la unidad no reiniciará la deshumidificación a los 3 minutos de haber sido encendida de nuevo.
Deshumificador no seca el aire como debiera	No ha pasado suficiente tiempo para que seque el aire.	Cuando se instala por primera vez, deje que pasen 24 horas para que se mantenga el nivel de humedad deseada.
	Hay escasa circulación de aire.	Cerciórese de que no haya cortinas, persianas o muebles que bloqueen la parte arriba o atrás del deshumificador. Vea la sección Seleccione el lugar adecuado.
	Filtro sucio	Vea la sección de Cuidado y limpieza.
	El Control de humedad no está ajustado lo suficientemente bajo.	Para aire más seco, presione el botón y seleccione un valor porcentual más bajo (%) o en <b>NS</b> (Nonstop) para obtener una máxima deshumidificación.
	Las puertas y ventanas no están cerradas completamente.	Revise que todas las puertas, ventanas y otras aberturas están cerradas completamente.
	El secador de ropa podría estar generando aire húmedo en el recinto.	Instale el deshumificador lejos de la secadora de ropa. El secador debe desechar el aire hacia el exterior.
	La temperatura del recinto está demasiado baja.	La deshumidificación es mejor a temperaturas ambiente altas. Temperaturas bajas causan bajo rendimiento de deshumidificación. Modelos están diseñada para funcionar a temperaturas por encima de 41 °F (5 °C).
El deshumificador trabaja demasiado	El volumen de aire a deshumidificar es excesivo.	La capacidad de su deshumificador no están adecuada.
	Las puertas y ventanas están abiertas.	Cierre todas las puertas y ventanas que den al exterior.
Se forma escarcha en el serpentín	El deshumificador ha sido encendido hace poco o la temperatura del recinto es inferior a 41 °F (5 °C).	Esto es normal. La escarcha normalmente desaparecerá en 60 minutos. Vea la sección de Descongelado automático (Automatic defrost).
Los controles no se pueden configurar	El compresor se apaga, y el ventilador sigue funcionando automáticamente durante aproximadamente 3 minutos a una configuración fija.	Esto es normal. Espere aproximadamente 3 minutos y coloque el ventilador lo desee.
El ventilador hace ruido	El aire se mueve a través del deshumificador.	Esto es normal.
Hay agua en el piso	La conexión a la manguera está floja.	Inspeccione la conexión a la manguera. Consulte la sección Cómo desechar el agua acumulada.
	Intenta usar el tanque para recoger agua, pero el manguera está colocada.	Desconecte el manguera si usa el tanque para recoger agua. Consulte la sección Cómo desechar el agua acumulada.
La luz LED de Tanque Lleno destella y suena la alarma	La manguera de drenaje no está bien ajustada en el accesorio	Verifique la conexión de la manguera de drenaje
	La manguera de drenaje está torcida	Verifique que la manguera de drenaje apunte en forma recta hacia el piso y que no se encuentre torcida.

## Garantía de su deshumificador—garantía limitada de un año.

Abroche su recibo aquí. Para acceder al servicio técnico de acuerdo con la garantía deberá contar con la prueba de la fecha original de compra.

Por el Período de:	Reemplazaremos:
Un Año Desde la fecha de la compra original	<b>Reemplazo, reparación o reembolso</b> del costo minorista original de cualquier producto que falle debido a un defecto en los materiales o la fabricación. Si la unidad es cambiada, la unidad de reemplazo posee garantía por el resto del período de la garantía original de un año sobre su producto. GE Appliances reemplazará, a su exclusivo criterio, el producto por otro de la misma o de una funcionalidad y calidad comparable o hará un reembolso por el precio minorista original.

### A Fin de Realizar un Reclamo de la Garantía Durante el Período de Devolución Permitido por el Vendedor Minorista:

- **Embale la unidad correctamente. Le recomendamos usar la caja de cartón y los materiales de embalaje originales.**
- **Entregue el producto en la ubicación del vendedor minorista donde fue adquirido.**
- **Incluya en el paquete una copia del receptor de la venta u otro comprobante de la fecha de compra original. También escriba su nombre y domicilio y una descripción del defecto.**

### A Fin de Realizar un Reclamo sobre la Garantía Durante el Resto de la Garantía de un Año:

- **Busque su recibo de compra y anote el modelo y el número de serie.**
- **Llame al 800-432-2737 para iniciar un reclamo de garantía.**
- **Se le pedirá que proporcione su nombre, dirección, información del recibo, modelo y número de serie.**
- **Los reclamos de garantía pueden requerir evidencia de compra electrónica o enviada por correo.**

### Qué No Será Cubierto:

- **Instrucción al cliente. Este manual del propietario brinda información relacionada con instrucciones de funcionamiento y controles del usuario.**
- **Instalación inadecuada. Si tiene un problema de instalación o el producto no posee la capacidad adecuada, contacte a su vendedor minorista o instalador. Usted es responsable de brindar instalaciones de conexión eléctrica adecuadas.**
- **Falla del producto como resultado de modificaciones sobre el mismo o debido a un uso irrazonable, incluyendo la falta de mantenimiento razonable o necesario.**
- **Reemplazo de fusibles del hogar o reinicio de disyuntores.**
- **Fallas como consecuencia de corrosión.**
- **Daños ocasionados sobre el producto por nivel de suministro de voltaje inadecuado, accidente, incendio, inundaciones o catástrofes naturales.**
- **Daños consecuentes o incidentales causados por posibles defectos del producto.**
- **Daño causado después de la entrega.**

**EXCLUSIÓN DE GARANTÍAS IMPLÍCITAS**—Su única y exclusiva alternativa es la reparación del producto, como se indica en la Garantía Limitada. Las garantías implícitas, incluyendo garantías implícitas de comerciabilidad o conveniencia sobre un propósito particular, se limitan a un año o al período más corto permitido por la ley.

Para Clientes de EE.UU: Esta garantía limitada se extiende al comprador original y a cualquier dueño subsiguiente de productos comprados para uso hogareño dentro de EE.UU. Si el producto está en un área donde no se encuentra disponible un Proveedor Autorizado del Servicio Técnico de GE Appliances, usted será responsable por el costo de un viaje o se podrá requerir que traiga el producto a una ubicación del Servicio Técnico de GE Appliances Autorizado para recibir el servicio. En Alaska, la garantía limitada excluye el costo de envío o llamadas del servicio técnico a su hogar.

Algunos estados no permiten la exclusión o limitación de daños fortuitos o consecuentes. Esta garantía limitada le da derechos legales específicos y es posible que tenga otros derechos legales que varían entre un estado y otro. Para conocer cuáles son sus derechos legales, consulte a la oficina de asuntos del consumidor local o estatal o al Fiscal de su estado.

Garante en EE.UU:  
GE Appliances, a Haier company  
Louisville, KY 40225

Abroche su recibo aquí. Para acceder al servicio técnico de acuerdo con la garantía deberá contar con la prueba de la fecha original de compra.



# Soporte al Cliente

---

## GE Appliances Sitio Web

¿Desea realizar una consulta o necesita ayuda con su electrodoméstico? ¡Intente a través del Sitio Web de Electrodomésticos de GE Appliances las 24 horas del día, cualquier día del año! Usted también puede comprar más grandiosos productos de GE Appliances y sacar ventaja de todos nuestros servicios a través de Internet diseñados para su conveniencia.  
En EE.UU.: [GEAppliances.com](http://GEAppliances.com)

---

## Registre su Electrodoméstico

¡Registre su electrodoméstico nuevo a través de Internet, según su conveniencia! Un registro puntual de su producto permitirá una mejor comunicación y un servicio más puntual de acuerdo con los términos de su garantía, en caso de surgir la necesidad. También puede enviar una carta en la tarjeta de inscripción pre-impresa que se incluye con el material embalado.  
En EE.UU.: [GEAppliances.com/register](http://GEAppliances.com/register)

---

## Garantías Extendidas

Adquiera una garantía extendida de GE Appliances y aprenda sobre descuentos especiales que están disponibles mientras su garantía aún está vigente. La puede adquirir en cualquier momento a través de Internet. Los Servicios de GE Appliances aún estarán allí cuando su garantía caduque. En EE.UU.: [GEAppliances.com/extended-warranty](http://GEAppliances.com/extended-warranty) o llame al 800.626.2224 durante el horario comercial habitual.

---

## Conectividad Remota

Para solicitar asistencia con la conectividad de red inalámbrica (para modelos con activación remota), visite nuestro sitio Web en [GEAppliances.com/connect](http://GEAppliances.com/connect) o llame al 800.220.6899 en EE.UU.

---

## Piezas y Accesorios

Individuos calificados para realizar el servicio técnico de sus propios electrodomésticos podrán solicitar el envío de piezas o accesorios directamente a sus hogares (se aceptan las tarjetas VISA, MasterCard y Discover). Ordene a través de Internet hoy durante las 24 horas del día. En EE.UU.: [GEApplianceparts.com](http://GEApplianceparts.com) o por teléfono al 877.959.8688 durante el horario comercial habitual.

**Las instrucciones que figuran en este manual cubren los procedimientos que serán realizados por cualquier usuario. Otros servicios técnicos generalmente deberían ser derivados a personal calificado del servicio. Se deberá tener cuidado, ya que una reparación indebida podrá ocasionar que el funcionamiento no sea seguro.**

---

## Contáctenos

Si no se encuentra satisfecho con el servicio que recibió de GE Appliances, comuníquese con nosotros a través de nuestro sitio Web con todos los detalles, incluyendo su número telefónico, o escriba a:

En EE.UU.: General Manager, Customer Relations | GE Appliances, Appliance Park | Louisville, KY 40225  
[GEAppliances.com/contact](http://GEAppliances.com/contact)