



# RF TEST REPORT

**Applicant** Asiatelco Technologies Co.  
**FCC ID** XYO-AT10-2  
**Product** GPS TrackerAT15  
**Model** AT10-2  
**Report No.** R2104A0318-R1  
**Issue Date** May 17, 2021

TA Technology (Shanghai) Co., Ltd. tested the above equipment in accordance with the requirements in **FCC CFR47 Part 2 (2019)/ FCC CFR 47 Part 24E (2019)**. The test results show that the equipment tested is capable of demonstrating compliance with the requirements as documented in this report.

Prepared by: Peng Tao

Approved by: Kai Xu

---

**TA Technology (Shanghai) Co., Ltd.**

No.145, Jintang Rd, Tangzhen Industry Park, Pudong Shanghai, China

TEL: +86-021-50791141/2/3

FAX: +86-021-50791141/2/3-8000



## TABLE OF CONTENT

1. Test Laboratory .....	4
1.1. Notes of the test report.....	4
1.2. Test facility.....	4
1.3. Testing Location .....	4
2. General Description of Equipment under Test.....	5
2.1. Applicant and Manufacturer Information .....	5
2.2. General information .....	5
3. Applied Standards.....	6
4. Test Configuration.....	7
5. Test Case Results.....	8
5.1. RF Power Output and Effective Isotropic Radiated Power .....	8
5.2. Radiates Spurious Emission .....	11
6. Main Test Instruments .....	17
ANNEX A: The EUT Appearance.....	18
ANNEX B: Test Setup Photos .....	19



## Summary of measurement results

No.	Test Case	Clause in FCC rules	Verdict
1	RF Power Output and Effective Isotropic Radiated Power	2.1046 24.232(c)	PASS
2	Radiates Spurious Emission	2.1053 / 24.238(a)	PASS
Date of Testing: April 13, 2021~April 25, 2021 and May 15, 2021 Date of Sample Received: April 8, 2021			
Note: PASS: The EUT complies with the essential requirements in the standard. FAIL: The EUT does not comply with the essential requirements in the standard. All indications of Pass/Fail in this report are opinions expressed by TA Technology (Shanghai) Co., Ltd. based on interpretations and/or observations of test results. Measurement Uncertainties were not taken into account and are published for informational purposes only.			

**Only Conducted Power and Radiated Spurious Emissions are tested for AT10-2 in this report . Other test items refer to the BG95-M6 report (Report No.: R2006A0413-R2).**



## 1. Test Laboratory

### 1.1. Notes of the test report

This report shall not be reproduced in full or partial, without the written approval of **TA technology (shanghai) co., Ltd.** The results documented in this report apply only to the tested sample, under the conditions and modes of operation as described herein. Measurement Uncertainties were not taken into account and are published for informational purposes only. This report is written to support regulatory compliance of the applicable standards stated above.

### 1.2. Test facility

#### **FCC (Designation number: CN1179, Test Firm Registration Number: 446626)**

TA Technology (Shanghai) Co., Ltd. has been listed on the US Federal Communications Commission list of test facilities recognized to perform measurements.

#### **A2LA (Certificate Number: 3857.01)**

TA Technology (Shanghai) Co., Ltd. has been listed by American Association for Laboratory Accreditation to perform measurement.

### 1.3. Testing Location

Company: TA Technology (Shanghai) Co., Ltd.  
Address: No.145, Jintang Rd, Tangzhen Industry Park, Pudong  
City: Shanghai  
Post code: 201201  
Country: P. R. China  
Contact: Xu Kai  
Telephone: +86-021-50791141/2/3  
Fax: +86-021-50791141/2/3-8000  
Website: <http://www.ta-shanghai.com>  
E-mail: [xukai@ta-shanghai.com](mailto:xukai@ta-shanghai.com)

## 2. General Description of Equipment under Test

### 2.1. Applicant and Manufacturer Information

Applicant	Asiatelco Technologies Co.
Applicant address	289 Bisheng Road, Building 8, 3F, Zhangjiang Hi-Tech Park, Pudong, Shanghai 201204, China
Manufacturer	Asiatelco Technologies Co.
Manufacturer address	289 Bisheng Road, Building 8, 3F, Zhangjiang Hi-Tech Park, Pudong, Shanghai 201204, China

### 2.2. General information

EUT Description			
Model	AT10-2		
IMEI	866642050250804		
Hardware Version	AT15_P1		
Software Version	3.6		
Power Supply	External power supply		
Antenna Type	Fixed Internal Antenna		
Antenna Gain	Frequency(MHz)	Gain(dBi)	
	1880	2.27	
	1990	1.63	
Test Mode(s)	LTE Band 2/25;		
Test Modulation	(LTE)QPSK,16QAM		
LTE Category	M1		
Rated Power Supply Voltage	12V		
Maximum E.I.R.P	LTE Band 2:	24.81 dBm	
	LTE Band 25:	24.83 dBm	
Operating Voltage	Minimum: 6V    Maximum: 32V		
Operating Temperature	Lowest: -30°C    Highest: +75°C		
Operating Frequency Range(s)	Band	Tx (MHz)	Rx (MHz)
	LTE Band 2	1850 ~ 1910	1930 ~ 1990
	LTE Band 25	1850 ~ 1915	1930 ~ 1995
Note: 1. The EUT is sent from the applicant to TA and the information of the EUT is declared by the applicant.			

### 3. Applied Standards

According to the specifications of the manufacturer, it must comply with the requirements of the following standards:

**Test standards:**

**FCC CFR 47 Part 24E (2019)**

**ANSI C63.26 (2015)**

**Reference standard:**

**FCC CFR47 Part 2 (2019)**

**KDB 971168 D01 Power Meas License Digital Systems v03r01**

### 4. Test Configuration

Radiated measurements are performed by rotating the EUT in three different orthogonal test planes. EUT stand-up position (Z axis), lie-down position (X, Y axis). Receiver antenna polarization (horizontal and vertical), the worst emission was found in position (Z axis, horizontal polarization) and the worst case was recorded.

All mode and data rates and positions and RB size and modulations were investigated.

Subsequently, only the worst case emissions are reported.

The following testing in LTE is set based on the maximum RF Output Power.

Test modes are chosen to be reported as the worst case configuration below for LTE Band 2/25:

Test items	Bandwidth (MHz)						Modulation		RB			Test Channel		
	1.4	3	5	10	15	20	QPSK	16QAM	1	50%	100%	L	M	H
RF Power Output and Effective Isotropic Radiated Power	O	O	O	O	O	O	O	O	O	O	O	O	O	O
Radiates Spurious Emission	O	-	O	-	-	O	O	-	O	-	-	-	O	-
Note	1. The mark "O" means that this configuration is chosen for testing. 2. The mark "-" means that this configuration is not testing.													

## 5. Test Case Results

### 5.1.RF Power Output and Effective Isotropic Radiated Power

#### Ambient condition

Temperature	Relative humidity	Pressure
23°C ~25°C	45%~50%	101.5kPa

#### Methods of Measurement

During the process of the testing, The EUT was connected to the Base Station Simulator with a known loss. The EUT is controlled by the Base Station Simulator test set to ensure max power transmission with proper modulation.

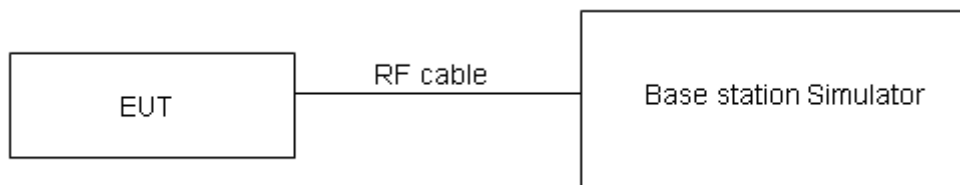
ERP can then be calculated as follows:

$$\text{EIRP (dBm)} = \text{Output Power (dBm)} - \text{Losses (dB)} + \text{Antenna Gain (dBi)}$$

where:dBd refers to gain relative to an ideal dipole.

$$\text{EIRP (dBm)} = \text{ERP (dBm)} + 2.15 \text{ (dB.)}$$

#### Test Setup



#### Limits

No specific RF power output requirements in part 2.1046.

Rule Part 24.232(c) Mobile and portable stations are limited to 2 watts EIRP.

Rule Part 24.232(e) Peak transmit power must be measured over any interval of continuous transmission using instrumentation calibrated in terms of an rms-equivalent voltage.

Limit	$\leq 2 \text{ W}$ (33 dBm)
-------	-----------------------------

#### Measurement Uncertainty

The assessed measurement uncertainty to ensure 95% confidence level for the normal distribution is with the coverage factor  $k = 2$ ,  $U = 0.4 \text{ dB}$  for RF power output,  $k = 2$ ,  $U = 1.19 \text{ dB}$  for EIRP.





## Test Results

LTE Band2	Channel/ Frequency(MHz)	Index	RB# RBstart	Conducted Power (dBm)		EIRP (dBm)	
				QPSK	16QAM	QPSK	16QAM
1.4MHz	18607/1850.7	0	1#0	22.18	20.77	24.45	23.04
		0	6#0	20.17	20.06	22.44	22.33
	18900/1880	0	1#0	22.41	20.95	24.68	23.22
		0	6#0	20.32	20.23	22.59	22.50
	19193/1909.3	0	1#5	21.93	20.54	24.20	22.81
		0	6#0	20.13	20.14	22.40	22.41
3MHz	18615/1851.5	0	1#0	22.14	20.74	24.41	23.01
		0	6#0	20.23	20.06	22.50	22.33
	18900/1880	0	1#0	22.21	20.97	24.48	23.24
		0	6#0	20.34	20.25	22.61	22.52
	19185/1908.5	1	1#5	21.86	20.48	24.13	22.75
		0	6#0	20.20	20.11	22.47	22.38
5MHz	18625/1852.5	3	1#0	22.26	22.18	24.53	24.45
		0	6#0	21.11	20.28	23.38	22.55
	18900/1880	0	1#0	22.43	22.23	24.70	24.50
		0	6#0	21.21	20.48	23.48	22.75
	19175/1907.5	0	1#5	21.96	21.99	24.23	24.26
		0	6#0	21.15	20.16	23.42	22.43
10MHz	18650/1855	3	1#0	22.11	22.26	24.38	24.53
		0	4#0	22.19	20.81	24.46	23.08
	18900/1880	0	1#0	22.25	22.45	24.52	24.72
		0	4#0	22.42	20.85	24.69	23.12
	19150/1905	4	1#5	22.05	21.96	24.32	24.23
		7	4#2	22.23	20.72	24.50	22.99
15MHz	18675/1857.5	3	1#0	22.26	22.06	24.53	24.33
		0	6#0	22.13	22.29	24.40	24.56
	18900/1880	0	1#0	22.54	22.24	24.81	24.51
		0	6#0	22.15	22.51	24.42	24.78
	19125/1902.5	8	1#5	21.98	22.09	24.25	24.36
		11	6#0	22.18	22.33	24.45	24.60
20MHz	18700/1860	3	1#0	22.12	22.10	24.39	24.37
		0	6#0	22.06	22.29	24.33	24.56
	18900/1880	0	1#0	22.49	22.21	24.76	24.48
		0	6#0	22.27	22.42	24.54	24.69
	19100/1900	12	1#5	22.15	21.91	24.42	24.18
		15	6#0	22.24	22.35	24.51	24.62



LTE Band25	Channel/ Frequency(MHz)	Index	RB# RBstart	Conducted Power (dBm)		EIRP (dBm)	
				QPSK	16QAM	QPSK	16QAM
1.4MHz	26047/1850.7	0	1#0	22.39	21.50	24.66	23.77
		0	6#0	20.11	20.05	22.38	22.32
	26365/1882.5	0	1#0	22.50	21.00	24.77	23.27
		0	6#0	20.41	20.42	22.68	22.69
	26683/1914.3	0	1#5	22.08	20.68	24.35	22.95
		0	6#0	20.22	20.21	22.49	22.48
3MHz	26055/1851.5	0	1#0	22.18	20.87	24.45	23.14
		0	6#0	20.26	20.12	22.53	22.39
	26365/1882.5	0	1#0	22.33	21.04	24.60	23.31
		0	6#0	20.45	20.44	22.72	22.71
	26675/1913.5	1	1#5	22.09	20.69	24.36	22.96
		1	6#0	20.24	20.25	22.51	22.52
5MHz	26065/1852.5	3	1#0	22.26	22.15	24.53	24.42
		0	6#0	21.21	20.36	23.48	22.63
	26365/1882.5	0	1#0	22.54	22.35	24.81	24.62
		0	6#0	21.36	20.50	23.63	22.77
	26665/1912.5	0	1#5	22.14	22.13	24.41	24.40
		3	6#0	21.18	20.25	23.45	22.52
10MHz	26090/1855	3	1#0	22.25	22.45	24.52	24.72
		0	4#0	22.32	21.22	24.59	23.49
	26365/1882.5	0	1#0	22.38	22.37	24.65	24.64
		0	4#0	22.40	20.85	24.67	23.12
	26640/1910	4	1#5	22.13	22.08	24.40	24.35
		7	4#2	22.25	20.84	24.52	23.11
15MHz	26115/1857.5	3	1#0	22.42	22.12	24.69	24.39
		0	6#0	22.14	22.46	24.41	24.73
	26365/1882.5	0	1#0	22.52	22.36	24.79	24.63
		0	6#0	22.29	22.56	24.56	24.83
	26615/1907.5	8	1#5	22.04	22.21	24.31	24.48
		11	6#0	22.21	22.41	24.48	24.68
20MHz	26140/1860	3	1#0	22.25	22.21	24.52	24.48
		0	6#0	22.14	22.49	24.41	24.76
	26365/1882.5	0	1#0	22.47	22.32	24.74	24.59
		0	6#0	22.34	22.47	24.61	24.74
	26590/1905	12	1#5	22.14	22.01	24.41	24.28
		15	6#0	22.28	22.39	24.55	24.66

## 5.2. Radiates Spurious Emission

### Ambient condition

Temperature	Relative humidity	Pressure
23°C ~25°C	45%~50%	101.5kPa

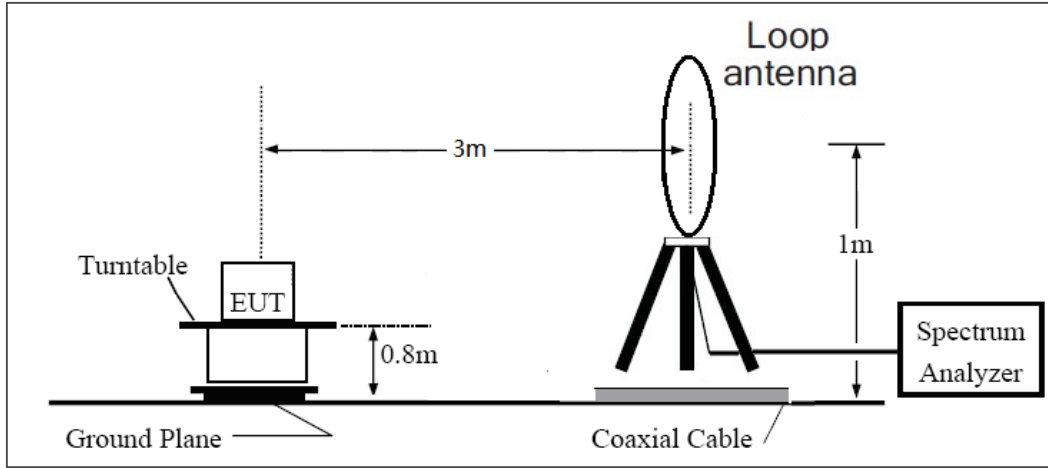
### Method of Measurement

1. The testing follows FCC KDB 971168 v03r01 Section 5.8 and ANSI C63.26 (2015).
2. Below 1GHz: The EUT is placed on a turntable 0.8 meters above the ground in the chamber, 3 meter away from the antenna. The maximal emission value is acquired by adjusting the antenna height, polarisation and turntable azimuth. Normally, the height range of antenna is 1 m to 4 m, the azimuth range of turntable is 0° to 360°, and the receive antenna has two polarizations Vertical (V) and Horizontal (H). Above 1GHz: (Note: the FCC's permission to use 1.5m as an alternative per TCBC Conf call of Dec. 2, 2014.) The EUT is placed on a turntable 1.5 meters above the ground in the chamber, 3 meter away from the antenna. The maximal emission value is acquired by adjusting the antenna height, polarisation and turntable azimuth. Normally, the height range of antenna is 1 m to 4 m, the azimuth range of turntable is 0° to 360°, and the receive antenna has two polarizations Vertical (V) and Horizontal (H).
3. A loop antenna, A log-periodic antenna or horn antenna shall be substituted in place of the EUT. The log-periodic antenna will be driven by a signal generator and the level will be adjusted till the same power value on the spectrum analyzer or receiver. The level of the spurious emissions can be calculated through the level of the signal generator, cable loss, the gain of the substitution antenna and the reading of the spectrum analyzer or receiver.
4. The EUT is then put into continuously transmitting mode at its maximum power level during the test. Set Test Receiver or Spectrum RBW=1MHz, VBW=3MHz for all frequency, And the maximum value of the receiver should be recorded as (Pr).
5. The EUT shall be replaced by a substitution antenna. In the chamber, an substitution antenna for the frequency band of interest is placed at the reference point of the chamber. An RF Signal source for the frequency band of interest is connected to the substitution antenna with a cable that has been constructed to not interfere with the radiation pattern of the antenna. A power (PMea) is applied to the input of the substitution antenna, and adjust the level of the signal generator output until the value of the receiver reach the previously recorded (Pr). The power of signal source (PMea) is recorded. The test should be performed by rotating the test item and adjusting the receiving antenna polarization.
6. A amplifier should be connected to the Signal Source output port. And the cable should be connect between the Amplifier and the Substitution Antenna. The cable loss (Pcl) ,the Substitution Antenna Gain (Ga) and the Amplifier Gain (PAg) should be recorded after test.
7. The measurement results are obtained as described below:  
Power(EIRP)=PMea- PAg - Pcl + Ga  
The measurement results are amend as described below:  
Power(EIRP)=PMea- Pcl + Ga
8. This value is EIRP since the measurement is calibrated using an antenna of known gain (2.15 dBi) and known input power. ERP can be calculated from EIRP by subtracting the gain of the dipole, ERP = EIRP-2.15dBi.

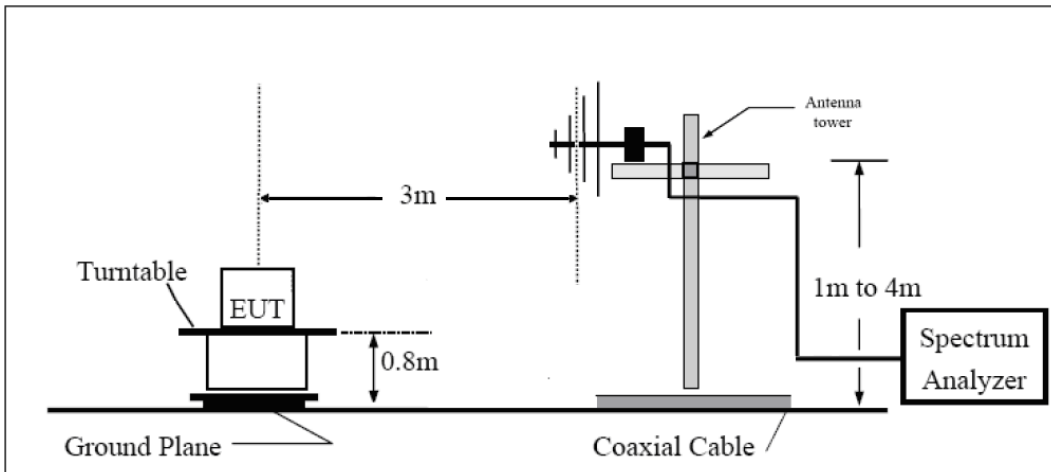
The modulation mode and RB allocation refer to section 5.1, using the maximum output power configuration.

**Test setup**

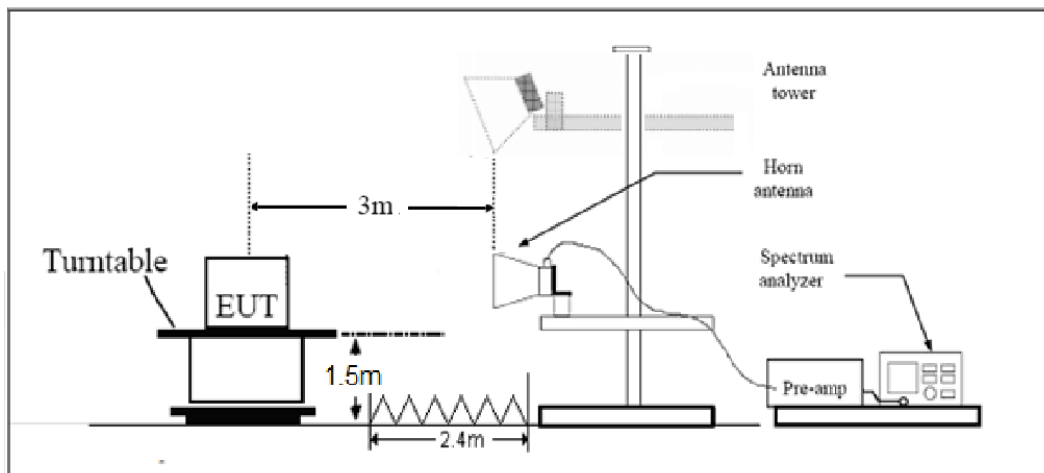
**9KHz ~ 30MHz**



**30MHz ~ 1GHz**



**Above 1GHz**



Note: Area side: 2.4mX3.6m

**Limits**

Rule Part 24.238(a) specifies that “on any frequency outside a licensee's frequency block, the power of any emission shall be attenuated below the transmitter power (P) by at least  $43 + 10 \log_{10} (P)$  dB.”

Limit	-13 dBm
-------	---------

**Measurement Uncertainty**

The assessed measurement uncertainty to ensure 95% confidence level for the normal distribution is with the coverage factor  $k = 1.96$ ,  $U = 3.55$  dB.

**Test Result**

Sweep the whole frequency band through the range from 9kHz to the 10th harmonic of the carrier,  
LTE Band 2 1.4MHz CH-Middle

Harmonic	Frequency (MHz)	SG (dBm)	Cable Loss (dB)	Gain (dBi)	Antenna Polarization	EIRP Level (dBm)	Limit (dBm)	Margin (dB)	Azimuth (deg)
2	3759.00	-49.30	2.60	12.50	Horizontal	-39.40	-13.00	26.40	180
3	5638.88	-51.77	3.30	12.50	Horizontal	-42.57	-13.00	29.57	45
4	7520.00	-48.96	4.20	12.20	Horizontal	-40.96	-13.00	27.96	90
5	9400.00	-54.81	4.30	11.10	Horizontal	-48.01	-13.00	35.01	315
6	11280.00	-50.19	5.90	11.90	Horizontal	-44.19	-13.00	31.19	45
7	13160.00	-55.08	5.70	14.00	Horizontal	-46.78	-13.00	33.78	45
8	15040.00	-55.10	5.80	13.10	Horizontal	-47.80	-13.00	34.80	180
9	16920.00	-52.52	6.10	14.60	Horizontal	-44.02	-13.00	31.02	90
10	18800.00	-	-	-	-	-	-	-	-

Note: 1.The other Spurious RF Radiated emissions level is no more than noise floor.  
2. The worst emission was found in the antenna is Horizontal position.

LTE Band 2 5MHz CH-Middle

Harmonic	Frequency (MHz)	SG (dBm)	Cable Loss (dB)	Gain (dBi)	Antenna Polarization	EIRP Level (dBm)	Limit (dBm)	Margin (dB)	Azimuth (deg)
2	3755.63	-57.99	2.60	12.50	Horizontal	-48.09	-13.00	35.09	90
3	5633.63	-45.63	3.30	12.50	Horizontal	-36.43	-13.00	23.43	0
4	7520.00	-48.06	4.20	12.20	Horizontal	-40.06	-13.00	27.06	315
5	9400.00	-54.64	4.30	11.10	Horizontal	-47.84	-13.00	34.84	90
6	11280.00	-51.06	5.90	11.90	Horizontal	-45.06	-13.00	32.06	180
7	13160.00	-53.39	5.70	14.00	Horizontal	-45.09	-13.00	32.09	45
8	15040.00	-54.17	5.80	13.10	Horizontal	-46.87	-13.00	33.87	135
9	16920.00	-54.46	6.10	14.60	Horizontal	-45.96	-13.00	32.96	180
10	18800.00	-	-	-	-	-	-	-	-

Note: 1.The other Spurious RF Radiated emissions level is no more than noise floor.  
2. The worst emission was found in the antenna is Horizontal position.

LTE Band 2 20MHz CH-Middle

Harmonic	Frequency (MHz)	SG (dBm)	Cable Loss (dB)	Gain (dBi)	Antenna Polarization	EIRP Level (dBm)	Limit (dBm)	Margin (dB)	Azimuth (deg)
2	3742.13	-56.89	2.60	12.50	Horizontal	-46.99	-13.00	33.99	45
3	5613.38	-45.79	3.30	12.50	Horizontal	-36.59	-13.00	23.59	270
4	7484.63	-46.28	4.20	12.20	Horizontal	-38.28	-13.00	25.28	135
5	9400.00	-54.64	4.30	11.10	Horizontal	-47.84	-13.00	34.84	0
6	11280.00	-52.04	5.90	11.90	Horizontal	-46.04	-13.00	33.04	180
7	13160.00	-52.88	5.70	14.00	Horizontal	-44.58	-13.00	31.58	90
8	15040.00	-54.80	5.80	13.10	Horizontal	-47.50	-13.00	34.50	45
9	16920.00	-53.75	6.10	14.60	Horizontal	-45.25	-13.00	32.25	270
10	18800.00	-	-	-	-	-	-	-	-

Note: 1.The other Spurious RF Radiated emissions level is no more than noise floor.  
2. The worst emission was found in the antenna is Horizontal position.

LTE Band 25 1.4MHz CH-Middle

Harmonic	Frequency (MHz)	SG (dBm)	Cable Loss (dB)	Gain (dBi)	Antenna Polarization	EIRP Level (dBm)	Limit (dBm)	Margin (dB)	Azimuth (deg)
2	3765.00	-50.79	2.60	12.50	Horizontal	-40.89	-13.00	27.89	315
3	5647.50	-50.02	3.30	12.50	Horizontal	-40.82	-13.00	27.82	180
4	7530.00	-49.21	4.20	12.20	Horizontal	-41.21	-13.00	28.21	90
5	9412.50	-54.80	4.30	11.10	Horizontal	-48.00	-13.00	35.00	315
6	11295.00	-52.44	5.90	11.90	Horizontal	-46.44	-13.00	33.44	0
7	13177.50	-54.74	5.70	14.00	Horizontal	-46.44	-13.00	33.44	45
8	15060.00	-54.65	5.80	13.10	Horizontal	-47.35	-13.00	34.35	315
9	16942.50	-55.43	6.10	14.60	Horizontal	-46.93	-13.00	33.93	180
10	18825.00	-	-	-	-	-	-	-	-

Note: 1.The other Spurious RF Radiated emissions level is no more than noise floor.  
2. The worst emission was found in the antenna is Horizontal position.



## LTE Band 25 5MHz CH-Middle

Harmonic	Frequency (MHz)	SG (dBm)	Cable Loss (dB)	Gain (dBi)	Antenna Polarization	EIRP Level (dBm)	Limit (dBm)	Margin (dB)	Azimuth (deg)
2	3765.00	-52.66	2.60	12.50	Horizontal	-42.76	-13.00	29.76	0
3	5647.50	-50.81	3.30	12.50	Horizontal	-41.61	-13.00	28.61	270
4	7530.00	-48.75	4.20	12.20	Horizontal	-40.75	-13.00	27.75	315
5	9412.50	-55.34	4.30	11.10	Horizontal	-48.54	-13.00	35.54	90
6	11295.00	-52.96	5.90	11.90	Horizontal	-46.96	-13.00	33.96	45
7	13177.50	-55.59	5.70	14.00	Horizontal	-47.29	-13.00	34.29	90
8	15060.00	-54.87	5.80	13.10	Horizontal	-47.57	-13.00	34.57	135
9	16942.50	-56.49	6.10	14.60	Horizontal	-47.99	-13.00	34.99	90
10	18825.00	-	-	-	-	-	-	-	-

Note: 1.The other Spurious RF Radiated emissions level is no more than noise floor.

2. The worst emission was found in the antenna is Horizontal position.

## LTE Band 25 20MHz CH-Middle

Harmonic	Frequency (MHz)	SG (dBm)	Cable Loss (dB)	Gain (dBi)	Antenna Polarization	EIRP Level (dBm)	Limit (dBm)	Margin (dB)	Azimuth (deg)
2	3748.13	-51.38	2.60	12.50	Horizontal	-41.48	-13.00	28.48	315
3	5622.00	-49.82	3.30	12.50	Horizontal	-40.62	-13.00	27.62	90
4	7496.00	-48.17	4.20	12.20	Horizontal	-40.17	-13.00	27.17	45
5	9370.00	-55.33	4.30	11.10	Horizontal	-48.53	-13.00	35.53	45
6	11244.00	-51.55	5.90	11.90	Horizontal	-45.55	-13.00	32.55	0
7	13118.00	-55.89	5.70	14.00	Horizontal	-47.59	-13.00	34.59	315
8	14992.00	-54.87	5.80	13.10	Horizontal	-47.57	-13.00	34.57	135
9	16866.00	-53.43	6.10	14.60	Horizontal	-44.93	-13.00	31.93	315
10	18740.00	-	-	-	-	-	-	-	-

Note: 1.The other Spurious RF Radiated emissions level is no more than noise floor.

2. The worst emission was found in the antenna is Horizontal position.





## 6. Main Test Instruments

Name	Manufacturer	Type	Serial Number	Calibration Date	Expiration Date
Base Station Simulator	R&S	CMW500	113824	2020-05-18	2021-05-17
Signal Analyzer	R&S	FSV30	100815	2020-12-13	2021-12-12
TRILOG Broadband Antenna	SCHWARZBECK	VULB 9163	391	2019-12-16	2021-12-15
Horn Antenna	R&S	HF907	102723	2018-08-11	2021-08-10
Software	R&S	EMC32	9.26.0	/	/

\*\*\*\*\*END OF REPORT \*\*\*\*\*



## **ANNEX A: The EUT Appearance**

The EUT Appearance are submitted separately.



## **ANNEX B: Test Setup Photos**

**The Test Setup Photos are submitted separately.**