



HUNTER PACIFIC[®]
INTERNATIONAL



CEILING FAN CATALOGUE

2023-24

Contact Details

SALES:

Ph: 1300 369 828

Email: sales@hunterpacific.com.au

SERVICE:

Ph: 1300 360 280

Email: service@hunterpacific.com.au

Office & Warehouse Locations:

NSW

Head Office & Warehouse
Unit 12,
22-24 Beaumont Road
Mount Kuring-Gai NSW 2080

QLD

Warehouse
Unit 13
57 Mortimer Road
Acacia Ridge QLD 4110

Web: www.hunterpacific.com.au

Insta: [hunterpacificceilingfans](https://www.instagram.com/hunterpacificceilingfans)

Contents

DC CEILING FANS

4 AQUA V2 IP66 52"
6 AQUA V2 IP66 52" with light
8 AQUA V2 IP66 70"
10 AQUA V2 IP66 70" with light
12 EVOLVE EC/DC 48"
14 EVOLVE EC/DC 52"
16 EVOLVE EC/DC 60"
18 MAGNUM 80"
20 NEW IMAGE V2 52"
22 NEW IMAGE V2 52" with light
24 NEXT CREATION V2 52"
26 NEXT CREATION V2 52" with light
28 PINNACLE V2 52"
30 PINNACLE V2 52" with light
32 POLAR V2 48"
34 POLAR V2 48" with light
36 POLAR V2 56"
38 POLAR V2 56" with light
40 RADICAL 3 60"
42 RADICAL 3 60" with light
44 THE BIG FAN V2 86"
46 THE BIG FAN V2 106"
48 X-OVER 48"/56"
50 X-OVER 48"/56" with light
52 X-OVER 52"
54 X-OVER 52" with light
56 SMART MODULES
57 DC FAN ACCESSORIES & SPARE PARTS

AC CEILING FANS

60 REVOLUTION 3 52" with & without light
62 CONCEPT 52"
64 CONCEPT 52" with LED light
66 CONCEPT 52" with 2xE27 light
68 AZURE MOULDED 48"
70 AZURE MOULDED 48" with light
72 TYPHOON MACH 3 WHITE 48"/52"/56"
74 TYPHOON MACH 3 316 STAINLESS STEEL 48"/52"/56"
76 MAJESTIC COOLAH 52"
78 AC FAN ACCESSORIES & SPARE PARTS
81 WARRANTY & SERVICE
84 FAN SELECTION



Aqua V2 IP66 52"

- 9 SPEED REMOTE
- WORKS WITH PIXIE*
- WiFi*
- REVERSIBLE
- 11° BLADE PITCH
- 7 YEAR WARRANTY^



AIP2661
WHITE
 With white polymer blades
 1320mm/52"



AIP2662
MATT BLACK
 With matt black polymer blades
 1320mm/52"



AIP2663
MATT BLACK WITH KOA
 With Koa finished polymer blades
 1320mm/52"

* Works with Pixie or Wifi Modules each sold separately.
 ^Please refer to website for full terms and conditions.

Aqua IP66 52" V2

Product Range:

- AIP2661 - White with White Blades
- AIP2662 - Matt Black with Matt Black Blades
- AIP2663 - Matt Black with Koa Blades

Features:

- IP66 Certified - dustproof and waterproof, provides protection against high pressure (12.5mm) water jets.
- 9 speed remote
- Summer/Winter reversible via remote
- ABS polymer UV stabilised blades
- Energy efficient and quiet DC motor
- Smart home options
- DC wall control option
- 7 year warranty

Installation Locations:

Outdoor, coastal and indoor locations. The fan is also suitable for installation in a pergola or outside (without cover). Must be installed on a flat surface as per instructions to ensure IP66 rating.

There should be at least 2.1m between the lowest point of the fan blades and the floor.

Warranty:

- 3 year in-home warranty on the motor, excluding cosmetic issues and corrosion (unless reported in the first 3 months).
- 4 year additional Parts Only Warranty on the motor.
- 2 year in-home warranty on all DC electronic components such as DC remote control systems, lighting and Accessory Wall Control.
- 1 year warranty applies when the fan or relevant part is used in any non-domestic applications.

*For full warranty details please see Hunter Pacific International's website www.hunterpacific.com.au

Accessories (Supplied separately):

- WIFIM099 - Smart WiFi Module
- PIXIEM098 - HPI Pixie Module
- DCWC2409 - 240V DC Wall Controller (9 speed)

Down Rod 26mm diameter (includes wire loom)

- DC2460 - 91cm White Threaded Downrod
- DC2461 - 91cm Black Threaded Downrod
- DC2467 - 180cm White Threaded Downrod
- DC2468 - 180cm Black Threaded Downrod

38° Ceiling Kit (for pitched ceilings)*

- 080 - Ceiling Kit White
- 083 - Ceiling Kit Black

Indoor Canopy Kit*

- 090 - Canopy Kit White
- 091 - Canopy Kit Black

*If using accessory 38° Ceiling Kit or Indoor Canopy Kit, this fan is no longer IP66 rated

009 - T-Hook for ceiling roses

Extra Information:

Motor: 156mm x 10mm DC motor
Made with high grade copper windings and silicone steel stator. Bearings are sealed to ensure quiet operation and long life.

Blades: Sizes: 1320mm (52")
Materials: ABS Polymer & UV stabilised
Blade Pitch: 11°

Weight Including Packaging:

Complete fan: 6.6kg

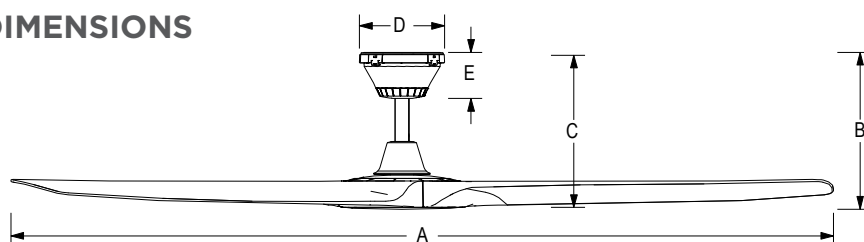
Packaging Dimensions (cm):

Complete Fan: 69L x 30W x 27H

	Speed 1	Speed 2	Speed 3	Speed 4	Speed 5	Speed 6	Speed 7	Speed 8	Speed 9
RPMS	82	93	145	160	165	177	185	191	195
WATTS	2.0	4.0	7.3	11.5	13.5	14.8	16.0	18.1	19.5
AIRFLOW (CMH)	4358	5174	8644	10519	11395	12853	13007	13852	15643

* CMH = Cubic Meters per Hour

DIMENSIONS



A	1320mm
B	290mm
C	290mm
D	160mm
E	86mm



Aqua V2 IP66 52" with Light

- 9 SPEED REMOTE
- WORKS WITH PIXIE*
- WiFi*
- REVERSIBLE
- 11° BLADE PITCH
- 7 YEAR WARRANTY^



AIPL2667
WHITE

With white polymer blades
1320mm (52")



AIPL2668
MATT BLACK

With matt black polymer blades
1320mm (52")



AIPL2669
MATT BLACK WITH KOA

With Koa finished polymer blades
1320mm (52")

* Works with Pixie or Wifi Modules each sold separately.
^Please refer to website for full terms and conditions.

Aqua IP66 52" V2 with Light

Product Range:

- AIPL2667 - White with White Blades
- AIPL2668 - Matt Black with Matt Black Blades
- AIPL2669 - Matt Black with Koa Blades

Features:

- IP66 Certified - dustproof and waterproof, provides protection against high pressure (12.5mm) water jets.
- 9 speed remote
- 18W CCT LED light (dimnable)
- Summer/Winter reversible via remote
- ABS polymer UV stabilised blades
- Energy efficient and quiet DC motor
- Smart home options
- DC wall control option
- 7 year warranty

Installation Locations:

Outdoor, coastal and indoor locations. The fan is also suitable for installation in a pergola or outside (with-out cover). Must be installed on a flat surface as per instructions to ensure IP66 rating.

There should be at least 2.1m between the lowest point of the fan blades and the floor.

Warranty:

- 3 year in-home warranty on the motor, excluding cosmetic issues and corrosion (unless reported in the first 3 months).
- 4 year additional Parts Only Warranty on the motor.
- 2 year in-home warranty on all DC electronic components such as DC remote control systems, lighting and Accessory Wall Control.
- 1 year warranty applies when the fan or relevant part is used in any non-domestic applications.

*For full warranty details please see Hunter Pacific International's website www.hunterpacific.com.au

Accessories (Supplied separately):

- WIFIM099 - Smart WiFi Module
- PIXIEM098 - HPI Pixie Module
- DCWC2409 - 240V DC Wall Controller (9 speed)

Down Rod 26mm diameter (includes wire loom)

- DC2460 - 91cm White Threaded Downrod
- DC2461 - 91cm Black Threaded Downrod
- DC2467 - 180cm White Threaded Downrod
- DC2468 - 180cm Black Threaded Downrod

38° Ceiling Kit (for pitched ceilings)*

- 080 - Ceiling Kit White
- 083 - Ceiling Kit Black

Indoor Canopy Kit*

- 090 - Canopy Kit White
- 091 - Canopy Kit Black

*If using accessory 38° Ceiling Kit and/or Indoor Canopy Kit, this fan is no longer IP66 rated

- 009 - T-Hook for ceiling roses

Light Fitting:

18W CCT LED light (dimnable)
Colour Temperatures: 3000 K, 4000 K, 6000 K
Output (lm): 1842 / 2370 / 2123

Extra Information:

Motor: 156mm x 10mm DC motor
Made with high grade copper windings and silicone steel stator. Bearings are sealed to ensure quiet operation and long life.

Blades: Sizes: 1320mm (52")
Materials: ABS Polymer & UV stabilised
Blade Pitch: 11°

Weight Including Packaging:

Complete fan: 7kg

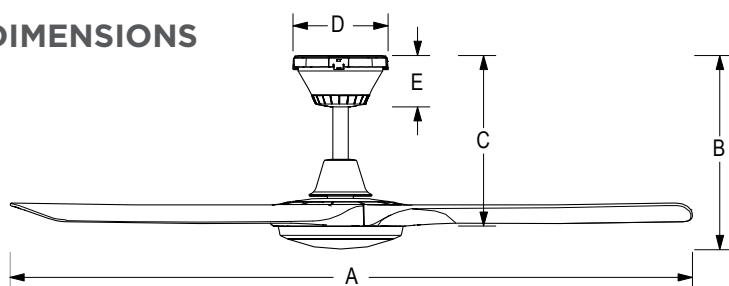
Packaging Dimensions (cm):

Complete Fan: 69L x 30W x 27H

	Speed 1	Speed 2	Speed 3	Speed 4	Speed 5	Speed 6	Speed 7	Speed 8	Speed 9
RPMS	82	93	145	160	165	177	185	191	195
WATTS	2.0	4.0	7.3	11.5	13.5	14.8	16.0	18.1	19.5
AIRFLOW (CMH)	4358	5174	8644	10519	11395	12853	13007	13852	15643

* CMH = Cubic Meters per Hour

DIMENSIONS



A	1320mm
B	345mm
C	290mm
D	160mm
E	86mm



Aqua V2 IP66 70"

- 9 SPEED REMOTE
- WORKS WITH PIXIE*
- WiFi*
- REVERSIBLE
- 11° BLADE PITCH
- 7 YEAR WARRANTY^



AIP2664
WHITE
 With white polymer blades
 1780mm (70")



AIP2665
MATT BLACK
 With matt black polymer blades
 1780mm (70")



AIP2666
MATT BLACK WITH KOA
 With Koa finished polymer blades
 1780mm (70")

* Works with Pixie or Wifi Modules each sold separately.
 ^Please refer to website for full terms and conditions.

Aqua IP66 70" V2

Product Range:

- AIP2664 - White with White Blades
- AIP2665 - Matt Black with Matt Black Blades
- AIP2666 - Matt Black with Koa Blades

Features:

- IP66 Certified - dustproof and waterproof, provides protection against high pressure (12.5mm) water jets.
- 9 speed remote
- Summer/Winter reversible via remote
- ABS polymer UV stabilised blades
- Energy efficient and quiet DC motor
- Smart home options
- DC wall control option
- 7 year warranty

Installation Locations:

Outdoor, coastal and indoor locations. The fan is also suitable for installation in a pergola or outside (without cover). Must be installed on a flat surface as per instructions to ensure IP66 rating.

There should be at least 2.1m between the lowest point of the fan blades and the floor.

Warranty:

- 3 year in-home warranty on the motor, excluding cosmetic issues and corrosion (unless reported in the first 3 months).
- 4 year additional Parts Only Warranty on the motor.
- 2 year in-home warranty on all DC electronic components such as DC remote control systems, lighting and Accessory Wall Control.
- 1 year warranty applies when the fan or relevant part is used in any non-domestic applications.

*For full warranty details please see Hunter Pacific International's website www.hunterpacific.com.au

Accessories (Supplied separately):

- WIFIM099 - Smart WiFi Module
- PIXIEM098 - HPI Pixie Module
- DCWC2409 - 240V DC Wall Controller (9 speed)

Down Rod 26mm diameter (includes wire loom)

- DC2460 - 91cm White Threaded Downrod
- DC2461 - 91cm Black Threaded Downrod
- DC2467 - 180cm White Threaded Downrod
- DC2468 - 180cm Black Threaded Downrod

38° Ceiling Kit (for pitched ceilings)*

- 080 - Ceiling Kit White
- 083 - Ceiling Kit Black

Indoor Canopy Kit*

- 090 - Canopy Kit White
- 091 - Canopy Kit Black

*If using accessory 38° Ceiling Kit or Indoor Canopy Kit, this fan is no longer IP66 rated

009 - T-Hook for ceiling roses

Extra Information:

Motor: 156mm x 16mm DC motor
Made with high grade copper windings and silicone steel stator. Bearings are sealed to ensure quiet operation and long life.

Blades: Sizes: 1780mm (70")
Materials: ABS Polymer & UV stabilised
Blade Pitch: 11°

Weight Including Packaging:

Complete fan: 8.7kg

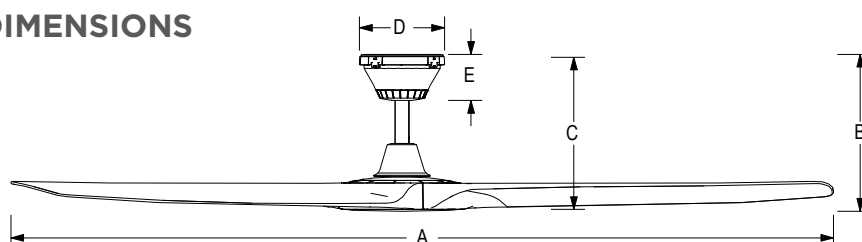
Packaging Dimensions (cm):

Complete Fan: 88.7L x 32.6W x 26.3H

	Speed 1	Speed 2	Speed 3	Speed 4	Speed 5	Speed 6	Speed 7	Speed 8	Speed 9
RPMS	79	96	122	129	135	142	147	153	158
WATTS	7.6	13.2	25.0	29.9	34.3	39.3	44.2	48.4	52.7
AIRFLOW (CMH)	5509	6795	10954	12158	13685	15852	18956	21567	24895

* CMH = Cubic Meters per Hour

DIMENSIONS



A	1780mm
B	300mm
C	300mm
D	160mm
E	86mm



Aqua V2 IP66 70" with Light

- 9 SPEED REMOTE
- WORKS WITH PIXE*
- WiFi*
- REVERSIBLE
- 11° BLADE PITCH
- 7 YEAR WARRANTY^



AIPL2670
WHITE
 With white polymer blades
 1780mm (70")



AIPL2671
MATT BLACK
 With matt black polymer blades
 1780mm (70")



AIPL2672
MATT BLACK WITH KOA
 With Koa finished polymer blades
 1780mm (70")

* Works with Pixie or Wifi Modules each sold separately.
 ^Please refer to website for full terms and conditions.

Aqua IP66 70" V2 with Light

Product Range:

- AIPL2670 - White with White Blades
- AIPL2671 - Matt Black with Matt Black Blades
- AIPL2672 - Matt Black with Koa Blades

Features:

- IP66 Certified - dustproof and waterproof, provides protection against high pressure (12.5mm) water jets.
- 9 speed remote
- 18W CCT LED light (dimnable)
- Summer/Winter reversible via remote
- ABS polymer UV stabilised blades
- Energy efficient and quiet DC motor
- Smart home options
- DC wall control option
- 7 year warranty

Installation Locations:

Outdoor, coastal and indoor locations. The fan is also suitable for installation in a pergola or outside (with-out cover). Must be installed on a flat surface as per instructions to ensure IP66 rating.

There should be at least 2.1m between the lowest point of the fan blades and the floor.

Warranty:

- 3 year in-home warranty on the motor, excluding cosmetic issues and corrosion (unless reported in the first 3 months).
- 4 year additional Parts Only Warranty on the motor.
- 2 year in-home warranty on all DC electronic components such as DC remote control systems, lighting and Accessory Wall Control.
- 1 year warranty applies when the fan or relevant part is used in any non-domestic applications.

*For full warranty details please see Hunter Pacific International's website www.hunterpacific.com.au

Accessories (Supplied separately):

- WIFIM099 - Smart WiFi Module
- PIXIEM098 - HPI Pixie Module
- DCWC2409 - 240V DC Wall Controller (9 speed)

Down Rod 26mm diameter (includes wire loom)

- DC2460 - 91cm White Threaded Downrod
- DC2461 - 91cm Black Threaded Downrod
- DC2467 - 180cm White Threaded Downrod
- DC2468 - 180cm Black Threaded Downrod

38° Ceiling Kit (for pitched ceilings)*

- 080 - Ceiling Kit White
- 083 - Ceiling Kit Black

Indoor Canopy Kit*

- 090 - Canopy Kit White
- 091 - Canopy Kit Black

*If using accessory 38° Ceiling Kit or Indoor Canopy Kit, this fan is no longer IP66 rated

- 009 - T-Hook for ceiling roses

Light Fitting:

18W CCT LED light (dimnable)
Colour Temperatures: 3000 K, 4000 K, 6000 K
Output (lm): 1842 / 2370 / 2123

Extra Information:

Motor: 156mm x 16mm DC motor
Made with high grade copper windings and silicone steel stator. Bearings are sealed to ensure quiet operation and long life.

Blades: Sizes: 1780mm (70")
Materials: ABS Polymer & UV stabilised
Blade Pitch: 11°

Weight Including Packaging:

Complete fan: 9.2kg

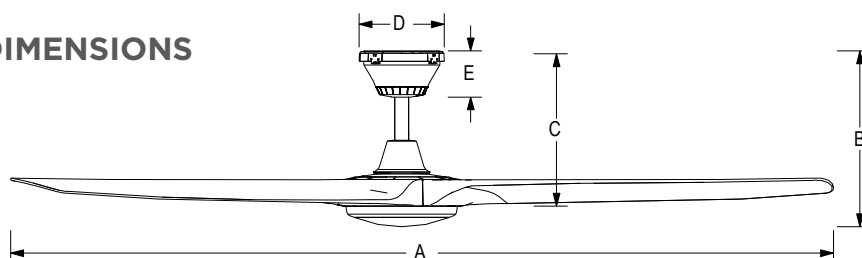
Packaging Dimensions (cm):

Complete Fan: 87.7L x 32.6W x 26.3H

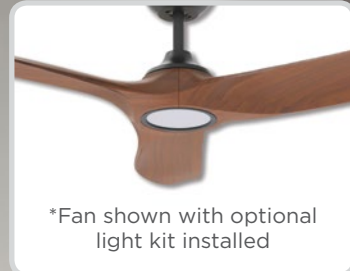
	Speed 1	Speed 2	Speed 3	Speed 4	Speed 5	Speed 6	Speed 7	Speed 8	Speed 9
RPMS	79	96	122	129	135	142	147	153	158
WATTS	7.6	13.2	25.0	29.9	34.3	39.3	44.2	48.4	52.7
AIRFLOW (CMH)	5509	6795	10954	12158	13685	15852	18956	21567	24895

* CMH = Cubic Meters per Hour

DIMENSIONS



A	1780mm
B	360mm
C	300mm
D	160mm
E	86mm



*Fan shown with optional light kit installed



Evolve EC/DC 48"

- 9 SPEED REMOTE
- WORKS WITH PIXIE*
- WiFi*
- REVERSIBLE
- 19.8° BLADE PITCH
- 7 YEAR WARRANTY

Optional Accessory Light Kit



EL095 - Light Kit White



EL096 - Light Kit Matt Black



E360

WHITE

With white polymer blades
1220mm (48")



E361

MATT BLACK

With matt black polymer blades
1220mm (48")



E362

MATT BLACK WITH KOA

With Koa finished polymer blades
1220mm (48")

* Works with Pixie or Wifi Modules each sold separately.
^Please refer to website for full terms and conditions.

Evolve EC/DC 48"

Product Range:

- E360 - White with White Blades
- E361 - Matt Black with Matt Black Blades
- E362 - Matt Black with Koa Blades

Features:

- 9 speed remote
- Summer/Winter reversible via remote
- ABS polymer UV stabilised blades
- Energy efficient and quiet DC motor
- Smart home options
- DC wall control option
- Optional accessory light kit
- 7 Year warranty

Installation Locations:

Coastal, indoor and outdoor locations. The fan is also suitable for installation in a pergola or outside in a sheltered area, protected from wind and rain.

There should be at least 2.1m between the lowest point of the fan blades and the floor.

Warranty:

- 3 year in-home warranty on the motor, excluding cosmetic issues and corrosion (unless reported in the first 3 months).
- 4 year additional Parts Only Warranty on the motor.
- 2 year in-home warranty on all DC electronic components such as DC remote control systems, lighting and Accessory Wall Control.
- 1 year warranty applies when the fan or relevant part is used in any non-domestic applications.

*For full warranty details please see Hunter Pacific International's website www.hunterpacific.com.au

Accessories (Supplied separately):

Light Kit

- 18W CCT LED light (dimnable)
- Colour Temperatures: 3000 K, 4000 K, 6000 K
- Output (lm): 1842 / 2370 / 2123
- EL095 - Light Kit White
- EL096 - Light Kit Matt Black

- WIFIM099 - Smart WiFi Module
- PIXIEM098 - HPI Pixie Module
- DCWC2409 - 240V DC Wall Controller (9 speed)

Down Rod 26mm diameter (includes wire loom)

- DC2480 - 91cm White Downrod
- DC2481 - 91cm Black Downrod
- DC2490 - 180cm White Downrod
- DC2491 - 180cm Black Downrod

38° Ceiling Kit (for pitched ceilings)

- O80 - Ceiling Kit White
- O83 - Ceiling Kit Black

O09 - T-Hook for ceiling roses

Extra Information:

Motor: 156mm x 16mm DC motor
Made with high grade copper windings and silicone steel stator. Bearings are sealed to ensure quiet operation and long life.

Blades: 1220mm (48")
Materials: ABS polymer UV stabilised
Blade Pitch: 19.8°

Weight Including Packaging:

Complete fan: 7.3kg

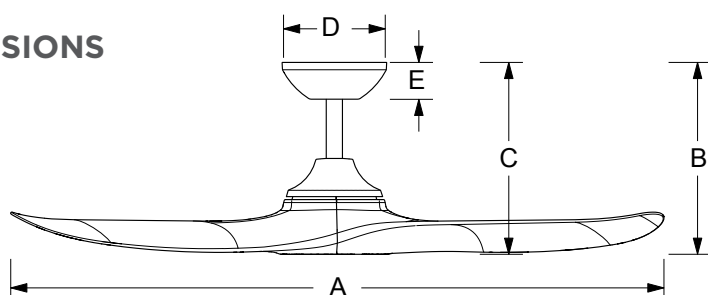
Packaging Dimensions (cm):

Complete Fan: 66L x 37.5W x 23H

	Speed 1	Speed 2	Speed 3	Speed 4	Speed 5	Speed 6	Speed 7	Speed 8	Speed 9
RPMS	82	101	119	134	150	163	173	183	196
WATTS	3.5	4.7	9.8	12.3	15.4	18.2	21.1	23.5	26.1
AIRFLOW (CMH)	3985	5096	8656	9778	10595	11212	12663	13058	13869

* CMH = Cubic Meters per Hour

DIMENSIONS



A	1220mm
B	295mm
C	295mm
D	170mm
E	60mm



*Fan shown with optional light kit installed



Evolve EC/DC 52"

- 9 SPEED REMOTE
- WORKS WITH PIXIE*
- WiFi*
- REVERSIBLE
- 19.2° BLADE PITCH
- 7 YEAR WARRANTY

Optional Accessory Light Kit



EL095 - Light Kit White



EL096 - Light Kit Matt Black



E363
WHITE

With white polymer blades
1320mm (52")



E364
MATT BLACK

With matt black polymer blades
1320mm (52")



E365
MATT BLACK WITH KOA

With Koa finished polymer blades
1320mm (52")

* Works with Pixie or Wifi Modules each sold separately.
^Please refer to website for full terms and conditions.

Evolve EC/DC 52"

Product Range:

- E363 - White with White Blades
- E364 - Matt Black with Matt Black Blades
- E365 - Matt Black with Koa Blades

Features:

- 9 speed remote
- Summer/Winter reversible via remote
- ABS polymer UV stabilised blades
- Energy efficient and quiet DC motor
- Smart home options
- DC wall control option
- Optional accessory light kit
- 7 Year warranty

Installation Locations:

Coastal, indoor and outdoor locations. The fan is also suitable for installation in a pergola or outside in a sheltered area, protected from wind and rain.

There should be at least 2.1m between the lowest point of the fan blades and the floor.

Warranty:

- 3 year in-home warranty on the motor, excluding cosmetic issues and corrosion (unless reported in the first 3 months).
- 4 year additional Parts Only Warranty on the motor.
- 2 year in-home warranty on all DC electronic components such as DC remote control systems, lighting and Accessory Wall Control.
- 1 year warranty applies when the fan or relevant part is used in any non-domestic applications.

*For full warranty details please see Hunter Pacific International's website www.hunterpacific.com.au

Accessories (Supplied separately):

Light Kit

- 18W CCT LED light (dimnable)
- Colour Temperatures: 3000 K, 4000 K, 6000 K
- Output (lm): 1842 / 2370 / 2123
- EL095 - Light Kit White
- EL096 - Light Kit Matt Black

- WIFIM099 - Smart WiFi Module
- PIXIEM098 - HPI Pixie Module
- DCWC2409 - 240V DC Wall Controller (9 speed)

Down Rod 26mm diameter (includes wire loom)

- DC2480 - 91cm White Downrod
- DC2481 - 91cm Black Downrod
- DC2490 - 180cm White Downrod
- DC2491 - 180cm Black Downrod

38° Ceiling Kit (for pitched ceilings)

- O80 - Ceiling Kit White
- O83 - Ceiling Kit Black

- O09 - T-Hook for ceiling roses

Extra Information:

Motor: 156mm x 16mm DC motor
Made with high grade copper windings and silicone steel stator. Bearings are sealed to ensure quiet operation and long life.

Blades: 1320mm (52")
Materials: ABS polymer UV stabilised
Blade Pitch: 19.2°

Weight Including Packaging:

Complete fan: 7.5kg

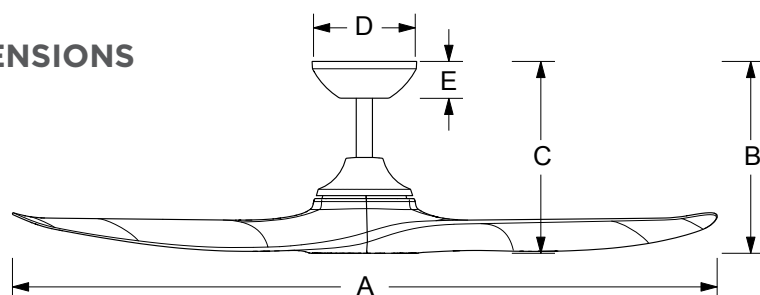
Packaging Dimensions (cm):

Complete Fan: 66L x 37.5W x 23H

	Speed 1	Speed 2	Speed 3	Speed 4	Speed 5	Speed 6	Speed 7	Speed 8	Speed 9
RPMS	82	102	119	134	150	163	173	183	196
WATTS	3.6	4.8	10.1	12.9	15.9	18.6	21.6	23.8	26.2
AIRFLOW (CMH)	4175	4683	8973	10000	10853	11675	12084	13151	14798

* CMH = Cubic Meters per Hour

DIMENSIONS



A	1320mm
B	295mm
C	295mm
D	170mm
E	60mm



Evolve EC/DC 60"

- 9 SPEED REMOTE
- WORKS WITH PIXIE*
- WiFi*
- REVERSIBLE
- 14.9° BLADE PITCH
- 7 YEAR WARRANTY^

Optional Accessory Light Kit



EL095 - Light Kit White



EL096 - Light Kit Matt Black



E366
WHITE

With white polymer blades
1520mm (60")



E367
MATT BLACK

With matt black polymer blades
1520mm (60")



E368
MATT BLACK WITH KOA

With Koa finished polymer blades
1520mm (60")

* Works with Pixie or Wifi Modules each sold separately.
^Please refer to website for full terms and conditions.

Evolve EC/DC 60"

Product Range:

- E366 - White with White Blades
- E367 - Matt Black with Matt Black Blades
- E368 - Matt Black with Koa Blades

Features:

- 9 speed remote
- Summer/Winter reversible via remote
- ABS polymer UV stabilised blades
- Energy efficient and quiet DC motor
- Smart home options
- DC wall control option
- Optional accessory light kit
- 7 Year warranty

Installation Locations:

Coastal, indoor and outdoor locations. The fan is also suitable for installation in a pergola or outside in a sheltered area, protected from wind and rain.

There should be at least 2.1m between the lowest point of the fan blades and the floor.

Warranty:

- 3 year in-home warranty on the motor, excluding cosmetic issues and corrosion (unless reported in the first 3 months).
- 4 year additional Parts Only Warranty on the motor.
- 2 year in-home warranty on all DC electronic components such as DC remote control systems, lighting and Accessory Wall Control.
- 1 year warranty applies when the fan or relevant part is used in any non-domestic applications.

*For full warranty details please see Hunter Pacific International's website www.hunterpacific.com.au

Accessories (Supplied separately):

Light Kit

- 18W CCT LED light (dimnable)
- Colour Temperatures: 3000 K, 4000 K, 6000 K
- Output (lm): 1842 / 2370 / 2123
- EL095 - Light Kit White
- EL096 - Light Kit Matt Black

- WIFIM099 - Smart WiFi Module
- PIXIEM098 - HPI Pixie Module
- DCWC2409 - 240V DC Wall Controller (9 speed)

Down Rod 26mm diameter (includes wire loom)

- DC2480 - 91cm White Downrod
- DC2481 - 91cm Black Downrod
- DC2490 - 180cm White Downrod
- DC2491 - 180cm Black Downrod

38° Ceiling Kit (for pitched ceilings)

- O80 - Ceiling Kit White
- O83 - Ceiling Kit Black

- O09 - T-Hook for ceiling roses

Extra Information:

Motor: 156mm x 16mm DC motor
Made with high grade copper windings and silicone steel stator. Bearings are sealed to ensure quiet operation and long life.

Blades: 1520mm (60")
Materials: ABS polymer UV stabilised
Blade Pitch: 14.9°

Weight Including Packaging:

Complete fan: 8.3kg

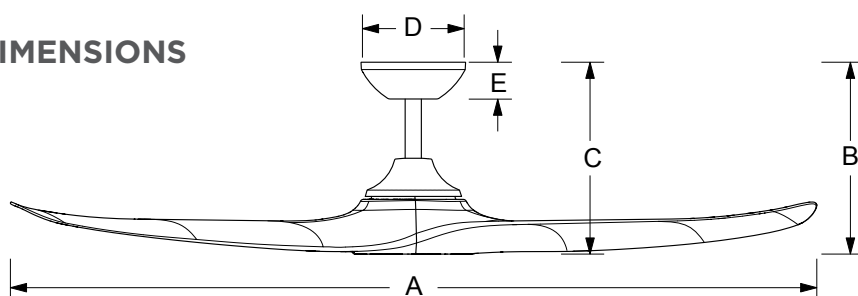
Packaging Dimensions (cm):

Complete Fan: 79L x 33W x 26H

	Speed 1	Speed 2	Speed 3	Speed 4	Speed 5	Speed 6	Speed 7	Speed 8	Speed 9
RPMS	82	101	119	139	154	166	177	188	197
WATTS	3.8	5.1	9.3	13.1	17.0	22.0	27.0	31.2	35.8
AIRFLOW (CMH)	4568	5682	6123	7987	9852	10259	12123	14255	16312

* CMH = Cubic Meters per Hour

DIMENSIONS



A	1520mm
B	295mm
C	295mm
D	170mm
E	60mm



Magnum 80"

- 9 SPEED REMOTE
- WORKS WITH PIXIE*
- WiFi*
- REVERSIBLE
- 7.5° BLADE PITCH
- 7 YEAR WARRANTY^



M800
WHITE
 With white polymer blades
 2030mm (80")



M801
MATT BLACK
 With matt black polymer blades
 2030mm (80")

* Works with Pixie or Wifi Modules each sold separately.
 ^Please refer to website for full terms and conditions.

Magnum 80"

Product Range:

M800 - White with Matt White Blades
M801 - Black with Matt Black Blades

Features:

- 9 speed remote
- Energy efficient and quiet DC motor
- Summer/Winter reversible via remote
- ABS polymer UV stabilised blades
- Smart home options
- DC wall control option
- 7 Year warranty

Installation Locations:

Coastal, indoor and outdoor locations. The fan is also suitable for installation in a pergola or outside in a sheltered area, protected from wind and rain.

There should be at least 2.1m between the lowest point of the fan blades and the floor.

Warranty:

- 3 year in-home warranty on the motor, excluding cosmetic issues and corrosion (unless reported in the first 3 months).
- 4 year additional Parts Only Warranty on the motor.
- 2 year in-home warranty on all DC electronic components such as DC remote control systems, lighting and Accessory Wall Control.
- 1 year warranty applies when the fan or relevant part is used in any non-domestic applications.

*For full warranty details please see Hunter Pacific International's website www.hunterpacific.com.au

Accessories (Supplied separately):

WIFIM099 - Smart WiFi Module
PIXIEM098 - HPI Pixie Module
DCWC2409 - 240V DC Wall Controller (9 speed)

Down Rod 26mm diameter (includes wire loom)

DC2480 - 91cm White Downrod
DC2481 - 91cm Black Downrod
DC2490 - 180cm White Downrod
DC2491 - 180cm Black Downrod

38° Ceiling Kit (for pitched ceilings)

080 - Ceiling Kit White
083 - Ceiling Kit Black

009 - T-Hook for ceiling roses

Extra Information:

Motor: 156mm x 16mm DC motor
Made with high grade copper windings and silicone steel stator. Bearings are sealed and waterproof to ensure quiet operation and long life.

Blades: 2030mm (80")
Materials: ABS Polymer & UV stabilised
Blade Pitch: 7.5°

Weight Including Packaging:

Complete fan (motor + blade): 9.9 kg

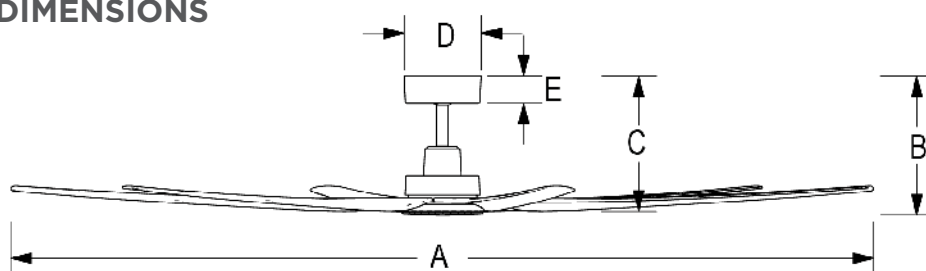
Packaging Dimensions (cm):

Motor pack: 40.2L x 25.7W x 29.4H
Blade pack: 96.5L x 12W x 10H

	Speed 1	Speed 2	Speed 3	Speed 4	Speed 5	Speed 6	Speed 7	Speed 8	Speed 9
RPMS	68	86	96	103	110	113	118	123	130
WATTS	8.7	15.2	20.9	25.2	30.2	35.1	39.4	44.3	53.3
AIRFLOW (CMH)	11068	13277	14427	15706	16539	17448	17625	18264	22328

* CMH = Cubic Meters per Hour

DIMENSIONS



A	2030mm
B	310mm
C	300mm
D	175mm
E	61mm



New Image V2 52"

- 9 SPEED REMOTE
- WORKS WITH PIXIE*
- WiFi*
- REVERSIBLE
- 14.5° BLADE PITCH
- 7 YEAR WARRANTY^



NI2101
WHITE
 With white polymer blades
 1320mm (52")



NI2102
MATT BLACK
 With matt black polymer blades
 1320mm (52")



NI2103
MATT BLACK WITH KOA
 With Koa finished polymer blades
 1320mm (52")

* Works with Pixie or Wifi Modules each sold separately.
 ^Please refer to website for full terms and conditions.

New Image V2 52"

Product Range:

NI2101 - White with White Blades
 NI2102 - Matt Black with Matt Black Blades
 NI2103 - Matt Black with Koa Blades

Features:

- 9 speed remote
- Energy efficient and quiet DC motor
- Summer/Winter reversible via remote
- ABS polymer UV stabilised blades
- Smart home options
- DC wall control option
- 7 Year warranty

Installation Locations:

Coastal, indoor and outdoor locations. The fan is also suitable for installation in a pergola or outside in a sheltered area, protected from wind and rain.

There should be at least 2.1m between the lowest point of the fan blades and the floor.

Warranty:

- 3 year in-home warranty on the motor, excluding cosmetic issues and corrosion (unless reported in the first 3 months).
- 4 year additional Parts Only Warranty on the motor.
- 2 year in-home warranty on all DC electronic components such as DC remote control systems, lighting and Accessory Wall Control.
- 1 year warranty applies when the fan or relevant part is used in any non-domestic applications.

*For full warranty details please see Hunter Pacific International's website www.hunterpacific.com.au

Accessories (Supplied separately):

WIFIM099 - Smart WiFi Module
 PIXIEM098 - HPI Pixie Module
 DCWC2409 - 240V DC Wall Controller (9 speed)

Down Rod 26mm diameter (includes wire loom)

DC2480 - 91cm White Downrod
 DC2481 - 91cm Black Downrod
 DC2490 - 180cm White Downrod
 DC2491 - 180cm Black Downrod

38° Ceiling Kit (for pitched ceilings)

080 - Ceiling Kit White
 083 - Ceiling Kit Black

009 - T-Hook for ceiling roses

Extra Information:

Motor: 156mm x 10mm DC motor
 Made with high grade copper windings and silicone steel stator. Bearings are sealed to ensure quiet operation and long life.

Blades: 1320mm (52")
 Materials: ABS polymer UV stabilised
 Blade Pitch: 14.5°

Weight Including Packaging:

Complete fan: 8.2kg

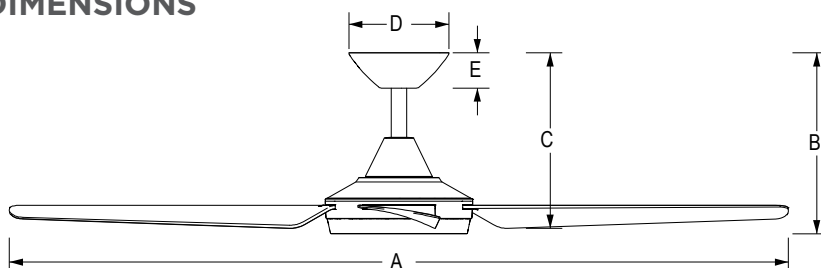
Packaging Dimensions (cm):

Complete Fan: 61.7L x 28.2W x 31.5H

	Speed 1	Speed 2	Speed 3	Speed 4	Speed 5	Speed 6	Speed 7	Speed 8	Speed 9
RPMS	86	103	139	160	170	178	188	196	202
WATTS	2.9	4.6	9.7	12.3	15.6	17.5	21.5	23.4	26.0
AIRFLOW (CMH)	4358	5108	9146	10554	11135	12020	12836	13456	14425

* CMH = Cubic Meters per Hour

DIMENSIONS



A	1320mm
B	300mm
C	300mm
D	160mm
E	60mm



New Image V2 52" with Light

- 9 SPEED REMOTE
- WORKS WITH PIXIE*
- WiFi*
- REVERSIBLE
- 14.5° BLADE PITCH
- 7 YEAR WARRANTY^



NIL2105
WHITE
 With white polymer blades
 1320mm (52")



NIL2106
MATT BLACK
 With matt black polymer blades
 1320mm (52")



NIL2107
MATT BLACK WITH KOA
 With Koa finished polymer blades
 1320mm (52")

* Works with Pixie or Wifi Modules each sold separately.
 ^Please refer to website for full terms and conditions.

New Image V2 52" with Light

Product Range:

NIL2105 - White with White Blades
 NIL2106 - Matt Black with Matt Black Blades
 NIL2107 - Matt Black with Koa Blades

Features:

- 9 speed remote
- Energy efficient and quiet DC motor
- Summer/Winter reversible via remote
- ABS polymer UV stabilised blades
- Smart home options
- 18W CCT LED light (dimnable)
- DC wall control option
- 7 Year warranty

Installation Locations:

Coastal, indoor and outdoor locations. The fan is also suitable for installation in a pergola or outside in a sheltered area, protected from wind and rain.

There should be at least 2.1m between the lowest point of the fan blades and the floor.

Warranty:

- 3 year in-home warranty on the motor, excluding cosmetic issues and corrosion (unless reported in the first 3 months).
- 4 year additional Parts Only Warranty on the motor.
- 2 year in-home warranty on all DC electronic components such as DC remote control systems, lighting and Accessory Wall Control.
- 1 year warranty applies when the fan or relevant part is used in any non-domestic applications.

*For full warranty details please see Hunter Pacific International's website www.hunterpacific.com.au

Accessories (Supplied separately):

WIFIM099 - Smart WiFi Module
 PIXIEM098 - HPI Pixie Module
 DCWC2409 - 240V DC Wall Controller (9 speed)

Down Rod 26mm diameter (includes wire loom)

DC2480 - 91cm White Downrod
 DC2481 - 91cm Black Downrod
 DC2490 - 180cm White Downrod
 DC2491 - 180cm Black Downrod

38° Ceiling Kit (for pitched ceilings)

080 - Ceiling Kit White
 083 - Ceiling Kit Black

009 - T-Hook for ceiling roses

Light Fitting:

18W CCT LED light (dimnable)
 Colour Temperatures: 3000 K, 4000 K, 6000 K
 Output (lm): 1842 / 2370 / 2123

Extra Information:

Motor: 156mm x 10mm DC motor
 Made with high grade copper windings and silicone steel stator. Bearings are sealed to ensure quiet operation and long life.

Blades: 1320mm (52")
 Materials: ABS polymer UV stabilised
 Blade Pitch: 14.5°

Weight Including Packaging:

Complete fan: 8.8kg

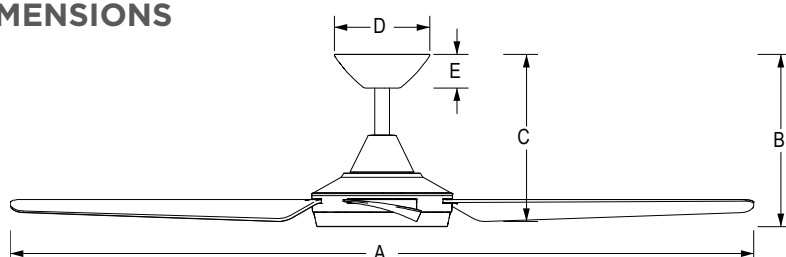
Packaging Dimensions (cm):

Complete Fan: 61.7L x 28.2W x 31.5H

	Speed 1	Speed 2	Speed 3	Speed 4	Speed 5	Speed 6	Speed 7	Speed 8	Speed 9
RPMS	86	103	139	160	170	178	188	196	202
WATTS	2.9	4.6	9.7	12.3	15.6	17.5	21.5	23.4	26.0
AIRFLOW (CMH)	4358	5108	9146	10554	11135	12020	12836	13456	14425

* CMH = Cubic Meters per Hour

DIMENSIONS



A	1320mm
B	330mm
C	300mm
D	160mm
E	60mm



Next Creation V2 52"

- 9 SPEED REMOTE
- WORKS WITH PIXIE*
- WiFi*
- REVERSIBLE
- 14.5° BLADE PITCH
- 7 YEAR WARRANTY^



NC2151
WHITE
 With white polymer blades
 1320mm (52")



NC2152
MATT BLACK
 With matt black polymer blades
 1320mm (52")

* Works with Pixie or Wifi Modules each sold separately.
 ^Please refer to website for full terms and conditions.

Next Creation V2 52"

Product Range:

NC2151 - White with White Blades
 NC2152 - Matt Black with Matt Black Blades

Features:

- 9 speed remote
- Energy efficient and quiet DC motor
- Summer/Winter reversible via remote
- ABS polymer UV stabilised blades
- Smart home options
- DC wall control option
- 7 Year warranty

Installation Locations:

Coastal, indoor and outdoor locations. The fan is also suitable for installation in a pergola or outside in a sheltered area, protected from wind and rain.

There should be at least 2.1m between the lowest point of the fan blades and the floor.

Warranty:

- 3 year in-home warranty on the motor, excluding cosmetic issues and corrosion (unless reported in the first 3 months).
- 4 year additional Parts Only Warranty on the motor.
- 2 year in-home warranty on all DC electronic components such as DC remote control systems, lighting and Accessory Wall Control.
- 1 year warranty applies when the fan or relevant part is used in any non-domestic applications.

*For full warranty details please see Hunter Pacific International's website www.hunterpacific.com.au

Accessories (Supplied separately):

WIFIM099 - Smart WiFi Module
 PIXIEM098 - HPI Pixie Module
 DCWC2409 - 240V DC Wall Controller (9 speed)

Down Rod 26mm diameter (includes wire loom)

DC2480 - 91cm White Downrod
 DC2481 - 91cm Black Downrod
 DC2490 - 180cm White Downrod
 DC2491 - 180cm Black Downrod

38° Ceiling Kit (for pitched ceilings)

080 - Ceiling Kit White
 083 - Ceiling Kit Black

009 - T-Hook for ceiling roses

Extra Information:

Motor: 156mm x 12mm DC motor
 Made with high grade copper windings and silicone steel stator. Bearings are sealed to ensure quiet operation and long life.

Blades: 1320mm (52")
 Materials: ABS polymer UV stabilised
 Blade Pitch: 14.5°

Weight Including Packaging:

Complete fan: 7.7kg

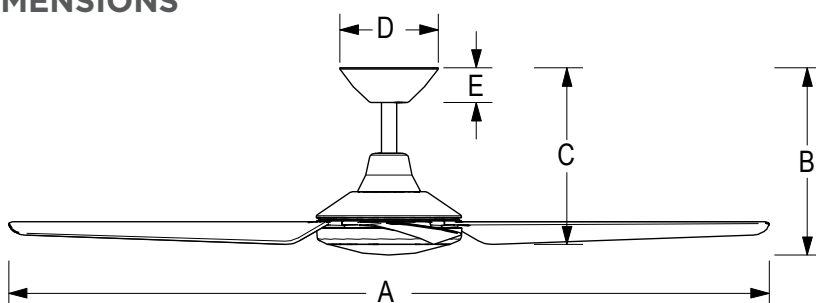
Packaging Dimensions (cm):

Complete Fan: 61.7L x 28.2W x 31.5H

	Speed 1	Speed 2	Speed 3	Speed 4	Speed 5	Speed 6	Speed 7	Speed 8	Speed 9
RPMS	86	103	139	160	170	178	188	196	202
WATTS	2.9	4.6	9.7	12.3	15.6	17.5	21.5	23.4	25.9
AIRFLOW (CMH)	4175	4683	8973	10000	10853	11675	12084	13151	14315

* CMH = Cubic Meters per Hour

DIMENSIONS



A	1320mm
B	310mm
C	300mm
D	168mm
E	60mm



Next Creation V2 52" with Light

- 9 SPEED REMOTE
- WORKS WITH PIXIE*
- WiFi*
- REVERSIBLE
- 14.5° BLADE PITCH
- 7 YEAR WARRANTY^



NCL2155
WHITE
 With white polymer blades
 1320mm (52")



NCL2156
MATT BLACK
 With matt black polymer blades
 1320mm (52")

* Works with Pixie or Wifi Modules each sold separately.
 ^Please refer to website for full terms and conditions.

Next Creation V2 52" with Light

Product Range:

NCL2155 - White with White Blades
NCL2156 - Matt Black with Matt Black Blades

Features:

- 9 speed remote
- Energy efficient and quiet DC motor
- Summer/Winter reversible via remote
- ABS polymer UV stabilised blades
- Smart home options
- 18W CCT LED light (dimnable)
- DC wall control option
- 7 Year warranty

Installation Locations:

Coastal, indoor and outdoor locations. The fan is also suitable for installation in a pergola or outside in a sheltered area, protected from wind and rain.

There should be at least 2.1m between the lowest point of the fan blades and the floor.

Warranty:

- 3 year in-home warranty on the motor, excluding cosmetic issues and corrosion (unless reported in the first 3 months).
- 4 year additional Parts Only Warranty on the motor.
- 2 year in-home warranty on all DC electronic components such as DC remote control systems, lighting and Accessory Wall Control.
- 1 year warranty applies when the fan or relevant part is used in any non-domestic applications.

*For full warranty details please see Hunter Pacific International's website www.hunterpacific.com.au

Accessories (Supplied separately):

WIFIM099 - Smart WiFi Module
PIXIEM098 - HPI Pixie Module
DCWC2409 - 240V DC Wall Controller (9 speed)

Down Rod 26mm diameter (includes wire loom)

DC2480 - 91cm White Downrod
DC2481 - 91cm Black Downrod
DC2490 - 180cm White Downrod
DC2491 - 180cm Black Downrod

38° Ceiling Kit (for pitched ceilings)

080 - Ceiling Kit White
083 - Ceiling Kit Black

009 - T-Hook for ceiling roses

Light Fitting:

18W CCT LED light (dimnable)
Colour Temperatures: 3000 K, 4000 K, 6000 K
Output (lm): 1842 / 2370 / 2123

Extra Information:

Motor: 156mm x 12mm DC motor
Made with high grade copper windings and silicone steel stator. Bearings are sealed to ensure quiet operation and long life.

Blades: 1320mm (52")
Materials: ABS polymer UV stabilised
Blade Pitch: 14.5°

Weight Including Packaging:

Complete fan: 8.6kg

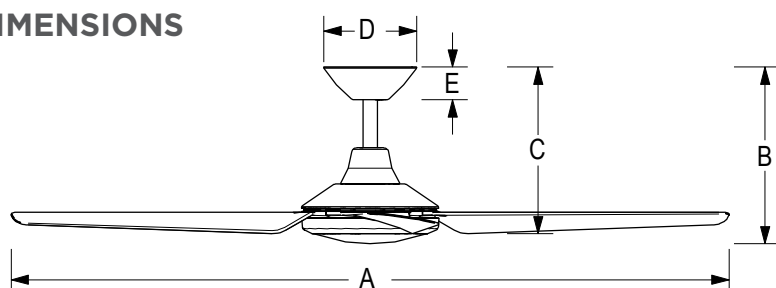
Packaging Dimensions (cm):

Complete Fan: 61.7L x 28.2W x 31.5H

	Speed 1	Speed 2	Speed 3	Speed 4	Speed 5	Speed 6	Speed 7	Speed 8	Speed 9
RPMS	86	103	139	160	170	178	188	196	202
WATTS	2.9	4.6	9.7	12.3	15.6	17.5	21.5	23.4	25.9
AIRFLOW (CMH)	4175	4683	8973	10000	10853	11675	12084	13151	14315

* CMH = Cubic Meters per Hour

DIMENSIONS



A	1320mm
B	330mm
C	300mm
D	168mm
E	60mm



Pinnacle V2 52"

- 9 SPEED REMOTE
- DC WALL CONTROLLER INCLUDED
- WORKS WITH PIXIE*
- WiFi*
- REVERSIBLE
- 12° BLADE PITCH
- 7 YEAR WARRANTY

Optional Accessory Blade sets only. Available in Bamboo or Koa finish.



Koa Finish
DCPB208



Bamboo Finish
DCPB209



P2200
WHITE
With white blades
1320mm (52")



P2201
MATT BLACK
With matt black blades
1320mm (52")



P2202
BRUSHED ALUMINIUM
With silver blades
1320mm (52")

* Works with Pixie or Wifi Modules each sold separately.
^Please refer to website for full terms and conditions.

Pinnacle V2 52"

Product Range:

- P2200 - White with White Blades
- P2201 - Matt Black with Matt Black Blades
- P2202 - Brushed Aluminium with Silver Blades

Features:

- Quick Connect Blade System
- 9 Speed remote controller and 9 Speed DC wall controller included
- Energy efficient and quiet DC motor
- Summer/Winter reversible via remote or DC wall control (if installed)
- ABS polymer UV stabilised blades
- Smart home options
- 7 Year warranty

Installation Locations:

Coastal, indoor and outdoor locations. The fan is also suitable for installation in a pergola or outside in a sheltered area, protected from wind and rain.

There should be at least 2.1m between the lowest point of the fan blades and the floor.

Warranty:

- 3 year in-home warranty on the motor, excluding cosmetic issues and corrosion (unless reported in the first 3 months).
- 4 year additional Parts Only Warranty on the motor.
- 2 year in-home warranty on all DC electronic components such as DC remote control systems, lighting and Accessory Wall Control.
- 1 year warranty applies when the fan or relevant part is used in any non-domestic applications.

*For full warranty details please see Hunter Pacific International's website www.hunterpacific.com.au

Accessories (Supplied separately):

- WIFIM099 - Smart WiFi Module
- PIXIEM098 - HPI Pixie Module
- DCWC2409 - 240V DC Wall Controller (9 speed)

THD Down Rod 26mm diameter (includes wire loom)

- DC2460 - 91cm White Threaded Downrod
- DC2461 - 91cm Black Threaded Downrod
- DC2462 - 91cm Brushed Aluminium Threaded Downrod
- DC2467 - 180cm White Threaded Downrod
- DC2468 - 180cm Black Threaded Downrod
- DC2469 - 180cm Brushed Aluminium Threaded Downrod

38° Ceiling Kit (for pitched ceilings)

- 080 - Ceiling Kit White
- 082 - Ceiling Kit Painted Silver
- 083 - Ceiling Kit Black

Optional Accessory Blade Sets

- DCPB208 - Koa Finish Blades (Set of 4)
- DCPB209 - Bamboo Finish Blades (Set of 4)

- 009 - T-Hook for ceiling roses

Extra Information:

Motor: 156mm x 10mm DC motor
Made with high grade copper windings and silicone steel stator. Bearings are sealed to ensure quiet operation and long life.

Blades: 1320mm (52")
Materials: ABS polymer UV stabilised
Blade Pitch: 12°

Weight Including Packaging:

Complete fan: 9.1kg

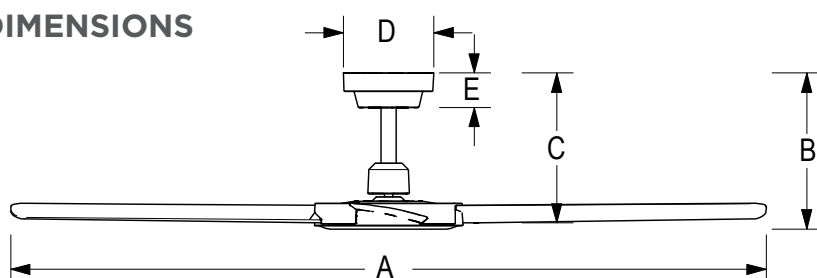
Packaging Dimensions (cm):

Complete Fan: 61.5L x 29W x 31.5H

	Speed 1	Speed 2	Speed 3	Speed 4	Speed 5	Speed 6	Speed 7	Speed 8	Speed 9
RPMS	79	93	150	159	174	189	199	209	214
WATTS	2.7	3.8	9.6	12.5	15.4	17.6	21.1	22.5	25.3
AIRFLOW (CMH)	4953	5943	9734	11001	11987	12254	13954	14038	15101

* CMH = Cubic Meters per Hour

DIMENSIONS



A	1320mm
B	275mm
C	255mm
D	168mm
E	60mm



Pinnacle V2 52" with Light

- 9 SPEED REMOTE
- DC WALL CONTROLLER INCLUDED
- WORKS WITH PIXIE*
- WiFi*
- REVERSIBLE
- 12° BLADE PITCH
- 7 YEAR WARRANTY^

Optional Accessory Blade sets only. Available in Bamboo or Koa finish.



Koa Finish
DCPB208



Bamboo Finish
DCPB209



PL2205

WHITE

With white blades
1320mm (52")



PL2206

MATT BLACK

With matt black blades
1320mm (52")



PL2207

BRUSHED ALUMINIUM

With silver blades
1320mm (52")

* Works with Pixie or Wifi Modules each sold separately.
^Please refer to website for full terms and conditions.

Pinnacle V2 52" with Light

Product Range:

- PL2205 - White with White Blades
- PL2206 - Matt Black with Matt Black Blades
- PL2207 - Brushed Aluminium with Silver Blades

Features:

- Quick Connect Blade System
- 9 Speed remote controller and 9 Speed DC wall controller included
- Energy efficient and quiet DC motor
- Summer/Winter reversible via remote or wall control (if installed)
- ABS polymer UV stabilised blades
- Smart home options
- 18W CCT LED light (dimnable)
- 7 Year warranty

Installation Locations:

Coastal, indoor and outdoor locations. The fan is also suitable for installation in a pergola or outside in a sheltered area, protected from wind and rain.

There should be at least 2.1m between the lowest point of the fan blades and the floor.

Warranty:

- 3 year in-home warranty on the motor, excluding cosmetic issues and corrosion (unless reported in the first 3 months).
- 4 year additional Parts Only Warranty on the motor.
- 2 year in-home warranty on all DC electronic components such as DC remote control systems, lighting and Accessory Wall Control.
- 1 year warranty applies when the fan or relevant part is used in any non-domestic applications.

*For full warranty details please see Hunter Pacific International's website www.hunterpacific.com.au

Accessories (Supplied separately):

- WIFIM099 - Smart WiFi Module
- PIXIEM098 - HPI Pixie Module
- DCWC2409 - 240V DC Wall Controller (9 speed)

THD Down Rod 26mm diameter (includes wire loom)

- DC2460 - 91cm White Threaded Downrod
- DC2461 - 91cm Black Threaded Downrod
- DC2462 - 91cm Brushed Aluminium Threaded Downrod
- DC2467 - 180cm White Threaded Downrod
- DC2468 - 180cm Black Threaded Downrod
- DC2469 - 180cm Brushed Aluminium Threaded Downrod

38° Ceiling Kit (for pitched ceilings)

- 080 - Ceiling Kit White
- 082 - Ceiling Kit Painted Silver
- 083 - Ceiling Kit Black

Optional Accessory Blade Sets

- DCPB208 - Koa Finish Blades (Set of 4)
- DCPB209 - Bamboo Finish Blades (Set of 4)

- 009 - T-Hook for ceiling roses

Light Fitting:

18W CCT LED light (dimnable)
Colour Temperatures: 3000 K, 4000 K, 6000 K
Output (lm): 1842 / 2370 / 2123

Extra Information:

Motor: 156mm x 10mm DC motor
Made with high grade copper windings and silicone steel stator. Bearings are sealed to ensure quiet operation and long life.

Blades: 1320mm (52")
Materials: ABS polymer UV stabilised
Blade Pitch: 12°

Weight Including Packaging:

Complete fan: 9.8kg

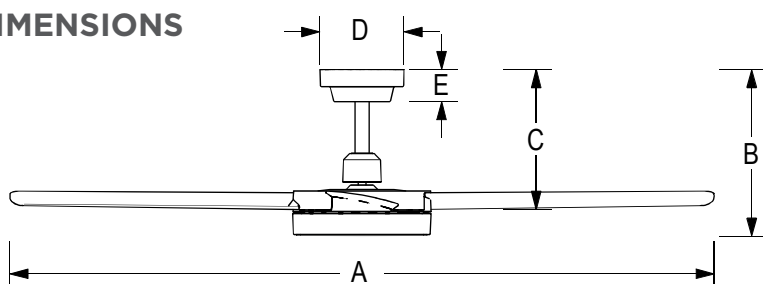
Packaging Dimensions (cm):

Complete Fan: 61.5L x 29W x 31.5H

	Speed 1	Speed 2	Speed 3	Speed 4	Speed 5	Speed 6	Speed 7	Speed 8	Speed 9
RPMS	79	93	150	159	174	189	199	209	214
WATTS	2.7	3.8	9.6	12.5	15.4	17.6	21.1	22.5	25.3
AIRFLOW (CMH)	4953	5943	9734	11001	11987	12254	13954	14038	15101

* CMH = Cubic Meters per Hour

DIMENSIONS



A	1320mm
B	315mm
C	255mm
D	168mm
E	60mm



Polar V2 48"

- 9 SPEED REMOTE
- WORKS WITH PIXIE*
- WiFi*
- REVERSIBLE
- 13° BLADE PITCH
- 7 YEAR WARRANTY^



P3B2571
WHITE
 With white polymer blades
 1220mm (48")



P3B2572
MATT BLACK
 With matt black polymer blades
 1220mm (48")

* Works with Pixie or Wifi Modules each sold separately.
 ^Please refer to website for full terms and conditions.

Polar V2 48"

Product Range:

P3B2571 - White with White Blades
 P3B2572 - Matt Black with Matt Black Blades

Features:

- 9 speed remote
- Energy efficient and quiet DC motor
- Summer/Winter reversible via remote
- ABS polymer UV stabilised blades
- Smart home options
- DC wall control option
- 7 Year warranty

Installation Locations:

Coastal, indoor and outdoor locations. The fan is also suitable for installation in a pergola or outside in a sheltered area, protected from wind and rain.

There should be at least 2.1m between the lowest point of the fan blades and the floor.

Warranty:

- 3 year in-home warranty on the motor, excluding cosmetic issues and corrosion (unless reported in the first 3 months).
- 4 year additional Parts Only Warranty on the motor.
- 2 year in-home warranty on all DC electronic components such as DC remote control systems, lighting and Accessory Wall Control.
- 1 year warranty applies when the fan or relevant part is used in any non-domestic applications.

*For full warranty details please see Hunter Pacific International's website www.hunterpacific.com.au

Accessories (Supplied separately):

WIFIM099 - Smart WiFi Module
 PIXIEM098 - HPI Pixie Module
 DCWC2409 - 240V DC Wall Controller (9 speed)

Down Rod 26mm diameter (includes wire loom)

DC2480 - 91cm White Downrod
 DC2481 - 91cm Black Downrod
 DC2490 - 180cm White Downrod
 DC2491 - 180cm Black Downrod

38° Ceiling Kit (for pitched ceilings)

080 - Ceiling Kit White
 083 - Ceiling Kit Black

009 - T-Hook for ceiling roses

Extra Information:

Motor: 156mm x 12mm DC motor
 Made with high grade copper windings and silicone steel stator. Bearings are sealed to ensure quiet operation and long life.

Blades: 1220mm (48")
 Materials: ABS polymer UV stabilised
 Blade Pitch: 13°

Weight Including Packaging:

Complete fan: 7.5kg

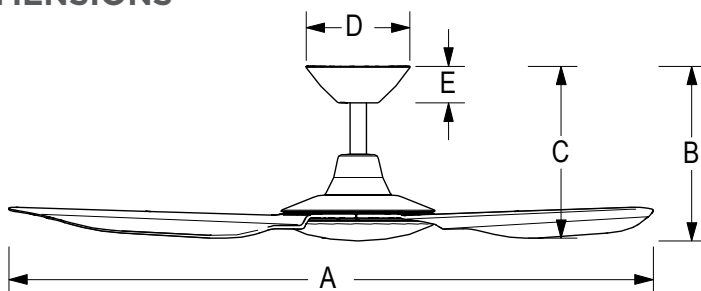
Packaging Dimensions (cm):

Complete Fan (48"): 61.7L x 28.2W x 31.5H

	Speed 1	Speed 2	Speed 3	Speed 4	Speed 5	Speed 6	Speed 7	Speed 8	Speed 9
RPMS	78	92	165	177	197	208	221	224	228
WATTS	3.0	3.5	9.5	12.2	15.1	18.3	21.1	23.1	25.5
AIRFLOW (CMH)	3893	5097	8656	9778	10596	11212	12663	13058	13860

* CMH = Cubic Meters per Hour

DIMENSIONS



A	1220mm
B	310mm
C	300mm
D	168mm
E	60mm



Polar V2 48" with Light

- 9 SPEED REMOTE
- WORKS WITH PIXIE
- WiFi
- REVERSIBLE
- 13° BLADE PITCH
- 7 YEAR WARRANTY



P3BL2581
WHITE
 With white polymer blades
 1220mm (48")



P3BL2582
MATT BLACK
 With matt black polymer blades
 1220mm (48")

* Works with Pixie or Wifi Modules each sold separately.
 ^Please refer to website for full terms and conditions.

Polar V2 48" with Light

Product Range:

P3BL2581 - White with White Blades
P3BL2582 - Matt Black with Matt Black Blades

Features:

- 9 speed remote
- Energy efficient and quiet DC motor
- Summer/Winter reversible via remote
- ABS polymer UV stabilised blades
- Smart home options
- 18W CCT LED light (dimnable)
- DC wall control option
- 7 Year warranty

Installation Locations:

Coastal, indoor and outdoor locations. The fan is also suitable for installation in a pergola or outside in a sheltered area, protected from wind and rain.

There should be at least 2.1m between the lowest point of the fan blades and the floor.

Warranty:

- 3 year in-home warranty on the motor, excluding cosmetic issues and corrosion (unless reported in the first 3 months).
- 4 year additional Parts Only Warranty on the motor.
- 2 year in-home warranty on all DC electronic components such as DC remote control systems, lighting and Accessory Wall Control.
- 1 year warranty applies when the fan or relevant part is used in any non-domestic applications.

*For full warranty details please see Hunter Pacific International's website www.hunterpacific.com.au

Accessories (Supplied separately):

WIFIM099 - Smart WiFi Module
PIXIEM098 - HPI Pixie Module
DCWC2409 - 240V DC Wall Controller (9 speed)

Down Rod 26mm diameter (includes wire loom)

DC2480 - 91cm White Downrod
DC2481 - 91cm Black Downrod
DC2490 - 180cm White Downrod
DC2491 - 180cm Black Downrod

38° Ceiling Kit (for pitched ceilings)

080 - Ceiling Kit White
083 - Ceiling Kit Black

009 - T-Hook for ceiling roses

Light Fitting:

18W CCT LED light (dimnable)
Colour Temperatures: 3000 K, 4000 K, 6000 K
Output (lm): 1842 / 2370 / 2123

Extra Information:

Motor: 156mm x 12mm DC motor
Made with high grade copper windings and silicone steel stator. Bearings are sealed to ensure quiet operation and long life.

Blades: 1220mm (48")
Materials: ABS polymer UV stabilised
Blade Pitch: 13°

Weight Including Packaging:

Complete fan: 8.1kg

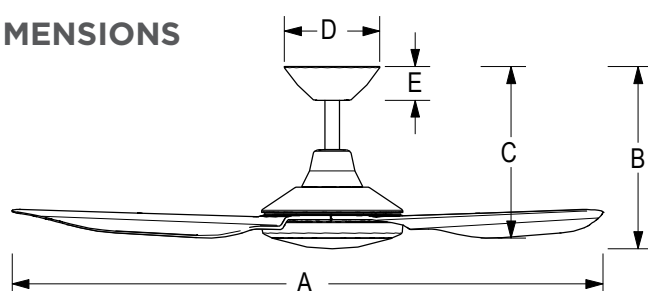
Packaging Dimensions (cm):

Complete Fan: 61.7L x 28.2W x 31.5H

	Speed 1	Speed 2	Speed 3	Speed 4	Speed 5	Speed 6	Speed 7	Speed 8	Speed 9
RPMS	78	92	165	177	197	208	221	224	228
WATTS	3.0	3.5	9.5	12.2	15.1	18.3	21.1	23.1	25.5
AIRFLOW (CMH)	3893	5097	8656	9778	10596	11212	12663	13058	13860

* CMH = Cubic Meters per Hour

DIMENSIONS



A	1220mm
B	335mm
C	300mm
D	168mm
E	60mm



Polar V2 56"

- 9 SPEED REMOTE
- WORKS WITH PIXIE
- WiFi
- REVERSIBLE
- 13° BLADE PITCH
- 7 YEAR WARRANTY



P3B2575
WHITE
 With white polymer blades
 1420mm (56")



P3B2576
MATT BLACK
 With matt black polymer blades
 1420mm (56")

* Works with Pixie or Wifi Modules each sold separately.
 ^Please refer to website for full terms and conditions.

Polar V2 56"

Product Range:

P3B2575 - White with White Blades
P3B2576 - Matt Black with Matt Black Blades

Features:

- 9 speed remote
- Energy efficient and quiet DC motor
- Summer/Winter reversible via remote
- ABS polymer UV stabilised blades
- Smart home options
- DC wall control option
- 7 Year warranty

Installation Locations:

Coastal, indoor and outdoor locations. The fan is also suitable for installation in a pergola or outside in a sheltered area, protected from wind and rain.

There should be at least 2.1m between the lowest point of the fan blades and the floor.

Warranty:

- 3 year in-home warranty on the motor, excluding cosmetic issues and corrosion (unless reported in the first 3 months).
- 4 year additional Parts Only Warranty on the motor.
- 2 year in-home warranty on all DC electronic components such as DC remote control systems, lighting and Accessory Wall Control.
- 1 year warranty applies when the fan or relevant part is used in any non-domestic applications.

*For full warranty details please see Hunter Pacific International's website www.hunterpacific.com.au

Accessories (Supplied separately):

WIFIM099 - Smart WiFi Module
PIXIEM098 - HPI Pixie Module
DCWC2409 - 240V DC Wall Controller (9 speed)

Down Rod 26mm diameter (includes wire loom)

DC2480 - 91cm White Downrod
DC2481 - 91cm Black Downrod
DC2490 - 180cm White Downrod
DC2491 - 180cm Black Downrod

38° Ceiling Kit (for pitched ceilings)

080 - Ceiling Kit White
083 - Ceiling Kit Black

009 - T-Hook for ceiling roses

Extra Information:

Motor: 156mm x 12mm DC motor
Made with high grade copper windings and silicone steel stator. Bearings are sealed to ensure quiet operation and long life.

Blades: 1420mm (56")
Materials: ABS polymer UV stabilised
Blade Pitch: 13°

Weight Including Packaging:

Complete fan: 7.9kg

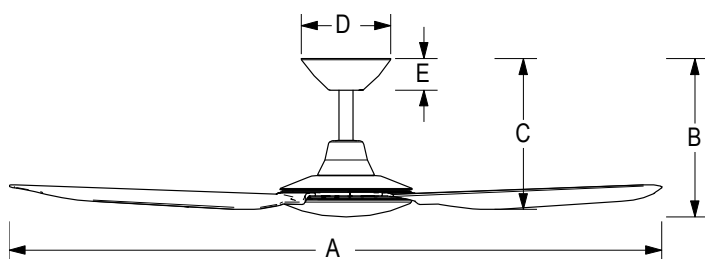
Packaging Dimensions (cm):

Complete Fan: 66L x 29W x 31.5H

	Speed 1	Speed 2	Speed 3	Speed 4	Speed 5	Speed 6	Speed 7	Speed 8	Speed 9
RPMS	86	103	139	160	170	178	188	196	202
WATTS	3.0	4.6	9.7	12.3	15.6	17.5	21.5	23.4	25.9
AIRFLOW (CMH)	4526	5568	9146	10122	10834	11834	12853	13987	14928

* CMH = Cubic Meters per Hour

DIMENSIONS



A	1420mm
B	310mm
C	300mm
D	168mm
E	60mm



Polar V2 56" with Light

- 9 SPEED REMOTE
- WORKS WITH PIXIE*
- WiFi*
- REVERSIBLE
- 13° BLADE PITCH
- 7 YEAR WARRANTY^



P3BL2585
WHITE
 With white polymer blades
 1420mm (56")



P3BL2586
MATT BLACK
 With matt black polymer blades
 1420mm (56")

* Works with Pixie or Wifi Modules each sold separately.
 ^Please refer to website for full terms and conditions.

Polar V2 56" with Light

Product Range:

P3BL2585 - White with White Blades
P3BL2586 - Matt Black with Matt Black Blades

Features:

- 9 speed remote
- Energy efficient and quiet DC motor
- Summer/Winter reversible via remote
- ABS polymer UV stabilised blades
- Smart home options
- 18W CCT LED light (dimnable)
- DC wall control option
- 7 Year warranty

Installation Locations:

Coastal, indoor and outdoor locations. The fan is also suitable for installation in a pergola or outside in a sheltered area, protected from wind and rain.

There should be at least 2.1m between the lowest point of the fan blades and the floor.

Warranty:

- 3 year in-home warranty on the motor, excluding cosmetic issues and corrosion (unless reported in the first 3 months).
- 4 year additional Parts Only Warranty on the motor.
- 2 year in-home warranty on all DC electronic components such as DC remote control systems, lighting and Accessory Wall Control.
- 1 year warranty applies when the fan or relevant part is used in any non-domestic applications.

*For full warranty details please see Hunter Pacific International's website www.hunterpacific.com.au

Accessories (Supplied separately):

WIFIM099 - Smart WiFi Module
PIXIEM098 - HPI Pixie Module
DCWC2409 - 240V DC Wall Controller (9 speed)

Down Rod 26mm diameter (includes wire loom)

DC2480 - 91cm White Downrod
DC2481 - 91cm Black Downrod
DC2490 - 180cm White Downrod
DC2491 - 180cm Black Downrod

38° Ceiling Kit (for pitched ceilings)

080 - Ceiling Kit White
083 - Ceiling Kit Black

009 - T-Hook for ceiling roses

Light Fitting:

18W CCT LED light (dimnable)
Colour Temperatures: 3000 K, 4000 K, 6000 K
Output (lm): 1842 / 2370 / 2123

Extra Information:

Motor: 156mm x 12mm DC motor
Made with high grade copper windings and silicone steel stator. Bearings are sealed to ensure quiet operation and long life.

Blades: 1420mm (56")
Materials: ABS polymer UV stabilised
Blade Pitch: 13°

Weight Including Packaging:

Complete fan: 8.4kg

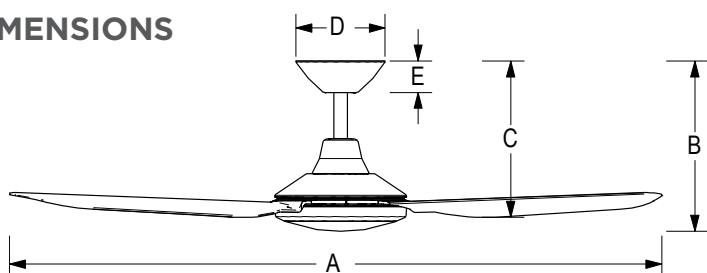
Packaging Dimensions (cm):

Complete Fan: 66L x 29W x 31.5H

	Speed 1	Speed 2	Speed 3	Speed 4	Speed 5	Speed 6	Speed 7	Speed 8	Speed 9
RPMS	86	103	139	160	170	178	188	196	202
WATTS	3.0	4.6	9.7	12.3	15.6	17.5	21.5	23.4	25.9
AIRFLOW (CMH)	4526	5568	9146	10122	10834	11834	12853	13987	14928

* CMH = Cubic Meters per Hour

DIMENSIONS



A	1420mm
B	335mm
C	300mm
D	168mm
E	60mm



Radical 3 60"

- 9 SPEED REMOTE
- WORKS WITH PIXIE*
- WiFi*
- REVERSIBLE
- 12° BLADE PITCH
- 7 YEAR WARRANTY^



R320
WHITE
 With white polymer blades
 1520mm (60")

R322
MATT BLACK
 With matt black polymer blades
 1520mm (60")



R323
BRUSHED ALUMINIUM
 With Bamboo polymer blades
 1520mm (60")

R324
MATT BLACK
 With Bamboo polymer blades
 1520mm (60")



R325
MATT BLACK
 With Koa polymer blades
 1520mm (60")

* Works with Pixie or Wifi Modules each sold separately.
 ^Please refer to website for full terms and conditions.

Radical 3 60"

Product Range:

- R320 - White with White Blades
- R322 - Matt Black with Matt Black Blades
- R323 - Brushed Aluminium with Bamboo Blades
- R324 - Matt Black with Bamboo Blades
- R325 - Matt Black with Koa Blades

Features:

- 9 speed remote
- Energy efficient and quiet DC motor
- Summer/Winter reversible via remote
- ABS polymer UV stabilised blades
- Smart home options
- DC wall control option
- 7 Year warranty

Installation Locations:

Indoor, coastal and outdoor undercover (provided the fan is fully undercover). The fan is also suitable for installation in a pergola or outside in a sheltered area, protected from wind and rain.

There should be at least 2.1m between the lowest point of the fan blades and the floor.

Warranty:

- 3 year in-home warranty on the motor, excluding cosmetic issues and corrosion (unless reported in the first 3 months).
- 4 year additional Parts Only Warranty on the motor.
- 2 year in-home warranty on all DC electronic components such as DC remote control systems, lighting and Accessory Wall Control.
- 1 year warranty applies when the fan or relevant part is used in any non-domestic applications.

*For full warranty details please see Hunter Pacific International's website www.hunterpacific.com.au

Accessories (Supplied separately):

- WIFIM099 - Smart WiFi Module
- PIXIEM098 - HPI Pixie Module
- DCWC2409 - 240V DC Wall Controller (9 speed)

Down Rod 26mm diameter (includes wire loom)

- DC2480 - 91cm White Downrod
- DC2481 - 91cm Black Downrod
- DC2482 - 91cm Brushed Aluminium Downrod
- DC2490 - 180cm White Downrod
- DC2491 - 180cm Black Downrod
- DC2492 - 180cm Brushed Aluminium Downrod

38° Ceiling Kit (for pitched ceilings)

- 080 - Ceiling Kit White
- 082 - Ceiling Kit Painted Silver
- 083 - Ceiling Kit Black

009 - T-Hook for ceiling roses

Extra Information:

Motor: 156mm x 12mm DC motor
Made with high grade copper windings and silicone steel stator. Bearings are sealed to ensure quiet operation and long life.

Blades: 1520mm (60")
Materials: ABS polymer UV stabilised
Blade Pitch: 12°

Weight Including Packaging:

Complete fan: 7.8kg

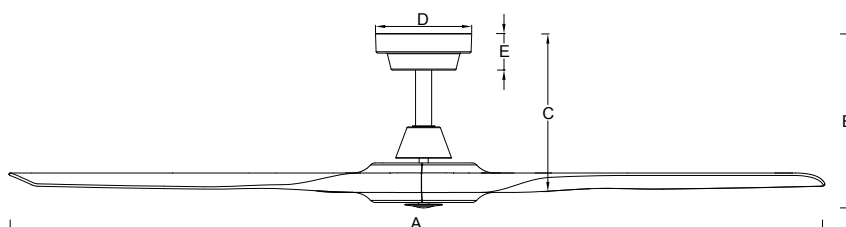
Packaging Dimensions (cm):

Complete Fan: 790L x 320W x 260H

	Speed 1	Speed 2	Speed 3	Speed 4	Speed 5	Speed 6	Speed 7	Speed 8	Speed 9
RPMS	78	102	116	134	147	160	172	179	188
WATTS	3.5	6.4	8.0	12.7	16.7	21.8	26.9	30.2	35
AIRFLOW (CMH)	4578	5006	5580	6857	8760	9840	10970	12060	16272

* CMH = Cubic Meters per Hour

DIMENSIONS



A	1520mm
B	310mm
C	280mm
D	158mm
E	60mm



Radical 3 60" with Light

- 9 SPEED REMOTE
- WORKS WITH PIXIE*
- WiFi*
- REVERSIBLE
- 12° BLADE PITCH
- 7 YEAR WARRANTY^



RL330
WHITE
With white polymer blades
1520mm (60")

RL332
MATT BLACK
With matt black polymer blades
1520mm (60")



RL333
BRUSHED ALUMINIUM
With Bamboo polymer blades
1520mm (60")

RL334
MATT BLACK
With Bamboo polymer blades
1520mm (60")



RL335
MATT BLACK
With Koa polymer blades
1520mm (60")

* Works with Pixie or Wifi Modules each sold separately.
^Please refer to website for full terms and conditions.

Radical 3 60" with Light

Product Range:

- RL330 - White with White Blades
- RL332 - Matt Black with Matt Black Blades
- RL333 - Brushed Aluminium with Bamboo Blades
- RL334 - Matt Black with Bamboo Blades
- RL335 - Matt Black with Koa Blades

Features:

- 9 speed remote
- Energy efficient and quiet DC motor
- Summer/Winter reversible via remote
- ABS polymer UV stabilised blades
- Smart home options
- 18W CCT LED light (dimnable)
- DC wall control option
- 7 Year warranty

Installation Locations:

Indoor, coastal and outdoor undercover (provided the fan is fully undercover). The fan is also suitable for installation in a pergola or outside in a sheltered area, protected from wind and rain.

There should be at least 2.1m between the lowest point of the fan blades and the floor.

Warranty:

- 3 year in-home warranty on the motor, excluding cosmetic issues and corrosion (unless reported in the first 3 months).
- 4 year additional Parts Only Warranty on the motor.
- 2 year in-home warranty on all DC electronic components such as DC remote control systems, lighting and Accessory Wall Control.
- 1 year warranty applies when the fan or relevant part is used in any non-domestic applications.

*For full warranty details please see Hunter Pacific International's website www.hunterpacific.com.au

Accessories (Supplied separately):

- WIFIM099 - Smart WiFi Module
- PIXIEM098 - HPI Pixie Module
- DCWC2409 - 240V DC Wall Controller (9 speed)

Down Rod 26mm diameter (includes wire loom)

- DC2480 - 91cm White Downrod
- DC2481 - 91cm Black Downrod
- DC2482 - 91cm Brushed Aluminium Downrod
- DC2490 - 180cm White Downrod
- DC2491 - 180cm Black Downrod
- DC2492 - 180cm Brushed Aluminium Downrod

38° Ceiling Kit (for pitched ceilings)

- 080 - Ceiling Kit White
- 082 - Ceiling Kit Painted Silver
- 083 - Ceiling Kit Black

009 - T-Hook for ceiling roses

Light Fitting:

18W CCT LED light (dimnable)
Colour Temperatures: 3000 K, 4000 K, 6000 K
Output (lm): 1842 / 2370 / 2123

Extra Information:

Motor: 156mm x 12mm DC motor
Made with high grade copper windings and silicone steel stator. Bearings are sealed to ensure quiet operation and long life.

Blades: 1520mm (60")
Materials: ABS polymer UV stabilised
Blade Pitch: 12°

Weight Including Packaging:

Complete fan: 8.3kg

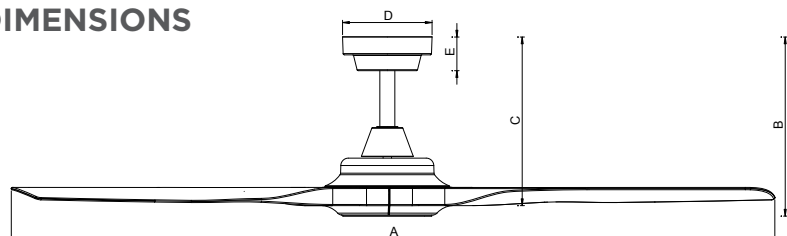
Packaging Dimensions (cm):

Complete Fan: 790L x 320W x 260H

	Speed 1	Speed 2	Speed 3	Speed 4	Speed 5	Speed 6	Speed 7	Speed 8	Speed 9
RPMS	78	102	116	134	147	160	172	179	188
WATTS	3.5	6.4	8.0	12.7	16.7	21.8	26.9	30.2	35
AIRFLOW (CMH)	4578	5006	5580	6857	8760	9840	10970	12060	16272

* CMH = Cubic Meters per Hour

DIMENSIONS



A	1520mm
B	320mm
C	300mm
D	158mm
E	60mm



The Big Fan V2 86"

- 9 SPEED REMOTE
- WORKS WITH PIXE*
- WiFi*
- REVERSIBLE
- 15° BLADE PITCH
- 7 YEAR WARRANTY^



TBF0861
WHITE
 With white blades
 2220mm (86")



TBF0862
MATT BLACK
 With matt black blades
 2220mm (86")



TBF0864
MATT BLACK WITH NATURAL OAK
 With Natural Oak finished blades
 2220mm (86")

* Works with Pixie or Wifi Modules each sold separately.
 ^Please refer to website for full terms and conditions.

The Big Fan V2 86"

Product Range:

- TBF0861 - White with White Blades
- TBF0862 - Matt Black with Black Blades
- TBF0864 - Matt Black with Natural Oak Finished Blades

Features:

- 9 speed remote
- Energy efficient and quiet DC motor
- Summer/Winter reversible via remote
- Aerodynamic wedge compression blades
- Smart home options
- DC wall control option
- 7 Year warranty

Installation Locations:

Indoor, coastal and outdoor locations, in residential, Commercial & industrial. The fan is also suitable for installation in a pergola or outside in a sheltered area, protected from wind and rain.

There should be a minimum of 2.1m between the lowest point of the fan blades and the floor.

Suitable for flat ceiling mount only.

Warranty:

- 3 year in-home warranty on the motor, excluding cosmetic issues and corrosion (unless reported in the first 3 months).
- 4 year additional Parts Only Warranty on the motor.
- 2 year in-home warranty on all DC electronic components such as DC remote control systems, lighting and Accessory Wall Control.
- 1 year warranty applies when the fan or relevant part is used in any non-domestic applications.

*For full warranty details please see Hunter Pacific International's website www.hunterpacific.com.au

Accessories (Supplied separately):

- WIFIM099 - Smart WiFi Module
- PIXIEM098 - HPI Pixie Module
- DCWC2409 - 240V DC Wall Controller (9 speed)

Down Rod 60mm diameter (includes wire loom)

- DC2470 - 91cm White Downrod
- DC2471 - 91cm Black Downrod
- DC2477 - 180cm White Downrod
- DC2478 - 180cm Black Downrod

Extra Information:

Motor: 190mm x 35mm DC motor
Made with high grade copper windings and silicone steel stator. Bearings are sealed to ensure quiet operation and long life.

Blades: 2220mm (86")
Materials: Aerodynamic wedge compression blades
Blade Pitch: 15°

Weight Including Packaging:

Complete fan: 18.9kg

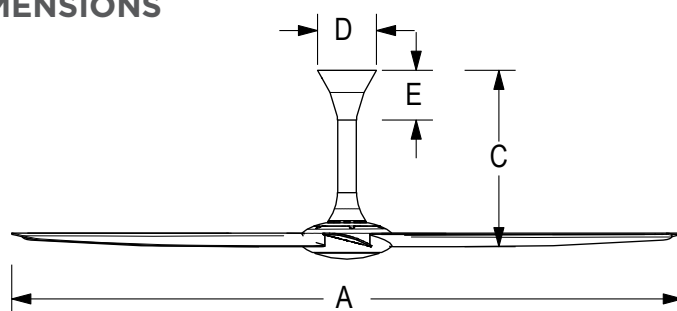
Packaging Dimensions (cm):

Motor pack: 53L x 34W x 31H
Blade box: 100.5L x 5.5W x 17.3H

	Speed 1	Speed 2	Speed 3	Speed 4	Speed 5	Speed 6	Speed 7	Speed 8	Speed 9
RPMS	61	70	83	89	94	98	102	105	120
WATTS	11.2	15.9	25.3	30.0	34.6	39.6	44.4	48.4	54.1
AIRFLOW (CMH)	11598	13987	16897	18095	20698	24557	28568	31587	35480

* CMH = Cubic Meters per Hour

DIMENSIONS



A	2220mm
B	500mm
C	450mm
D	192mm
E	130mm



The Big Fan V2 106"

- 9 SPEED REMOTE
- WORKS WITH PIXE*
- WiFi*
- REVERSIBLE
- 15° BLADE PITCH
- 7 YEAR WARRANTY^



TBF1061

WHITE

With white blades
2700mm (106")



TBF1062

MATT BLACK

With matt black blades
2700mm (106")



TBF1064

**MATT BLACK WITH
NATURAL OAK**

With Natural Oak finished blades
2700mm (106")

* Works with Pixie or Wifi Modules each sold separately.
^Please refer to website for full terms and conditions.

The Big Fan V2 106"

Product Range:

TBF1061 - White with White Blades
 TBF1062 - Matt Black with Black Blades
 TBF1064 - Matt Black with Natural Oak Finished Blades

Features:

- 9 speed remote
- Energy efficient and quiet DC motor
- Summer/Winter reversible via remote
- Aerodynamic wedge compression blades
- Smart home options
- DC wall control option
- 7 Year warranty

Installation Locations:

Indoor, coastal and outdoor locations, in residential, Commercial & industrial. The fan is also suitable for installation in a pergola or outside in a sheltered area, protected from wind and rain.

There should be a minimum of 2.1m between the lowest point of the fan blades and the floor.

Suitable for flat ceiling mount only.

Warranty:

- 3 year in-home warranty on the motor, excluding cosmetic issues and corrosion (unless reported in the first 3 months).
- 4 year additional Parts Only Warranty on the motor.
- 2 year in-home warranty on all DC electronic components such as DC remote control systems, lighting and Accessory Wall Control.
- 1 year warranty applies when the fan or relevant part is used in any non-domestic applications.

*For full warranty details please see Hunter Pacific International's website www.hunterpacific.com.au

Accessories (Supplied separately):

WIFIM099 - Smart WiFi Module
 PIXIEM098 - HPI Pixie Module
 DCWC2409 - 240V DC Wall Controller (9 speed)

Down Rod 60mm diameter (includes wire loom)

DC2470 - 91cm White Downrod
 DC2471 - 91cm Black Downrod
 DC2477 - 180cm White Downrod
 DC2478 - 180cm Black Downrod

Extra Information:

Motor: 190mm x 35mm DC motor
 Made with high grade copper windings and silicone steel stator. Bearings are sealed to ensure quiet operation and long life.

Blades: 2700mm (106")
 Materials: Aerodynamic wedge compression blades
 Blade Pitch: 15°

Weight Including Packaging:

Complete fan: 19.1kg

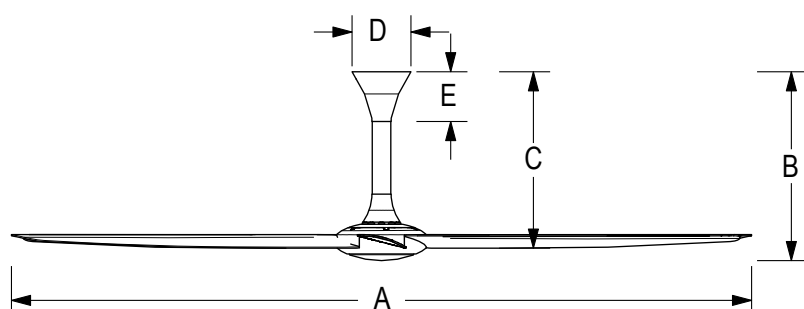
Packaging Dimensions (cm):

Motor pack: 53L x 34W x 31H
 Blade outer box: 122.5L x 5.5W x 16H

	Speed 1	Speed 2	Speed 3	Speed 4	Speed 5	Speed 6	Speed 7	Speed 8	Speed 9
RPMS	53	62	70	73	78	80	82	86	97
WATTS	15.7	26.0	37.0	41.7	47.3	51.8	57.0	67.4	75.9
AIRFLOW (CMH)	13268	16527	20123	24358	28745	32456	36524	40359	43620

* CMH = Cubic Meters per Hour

DIMENSIONS



A	2690mm
B	600mm
C	550mm
D	192mm
E	130mm



X-Over 48"/56"

- 3 SPEED WALL CONTROL
- 10° BLADE PITCH
- REVERSIBLE
- 7 YEAR WARRANTY



XO300
WHITE
With white polymer blades
1220mm (48")



XO308
WHITE
With white polymer blades
1420mm (56")

X-Over 48"/56"

Product Range:

XO300 - 48" White with White Blades
XO308 - 56" White with White Blades

Features:

- Quick Connect Blade System
- 3 Speed Wall Control including RF MCU Unit
- Energy efficient and quiet DC motor
- Summer/Winter reversible via switch on motor
- ABS polymer UV stabilised blades
- Non Remote Adaptable
- Suitable for pitched ceilings up to 28°
- 7 Year warranty

Installation Locations:

Coastal, indoor and outdoor locations. The fan is also suitable for installation in a pergola or outside in a sheltered area, protected from wind and rain.

There should be at least 2.1m between the lowest point of the fan blades and the floor.

Warranty:

- 3 year in-home warranty on the motor, excluding cosmetic issues and corrosion (unless reported in the first 3 months).
- 4 year additional Parts Only Warranty on the motor.
- 2 year in-home warranty on all DC electronic components such as DC remote control systems, lighting and Accessory Wall Control.
- 1 year warranty applies when the fan or relevant part is used in any non-domestic applications.

*For full warranty details please see Hunter Pacific International's website www.hunterpacific.com.au

Accessories (Supplied separately):

Down Rod 26mm diameter (includes wire loom)

010 - 91cm White Downrod
020 - 180cm White Downrod

38° Ceiling Kit (for pitched ceilings)

080 - Ceiling Kit White

009 - T-Hook for ceiling roses

DCS260 - Wall Mech and Magic Box to suit X-Over only

DCR248 - DC Receiver & Smart Switch X-Over 48"

DCR249 - DC Receiver and Smart Switch X-Over 56" only

W06-018 - Wall Mech and knob only

Extra Information:

Motor: 125mm x 13mm DC motor
Made with high grade copper windings and silicone steel stator. Bearings are sealed to ensure quiet operation and long life.

Blades: 1220mm (48") & 1420mm (56")
Materials: ABS polymer UV stabilised
Blade Pitch: 10°

Weight Including Packaging:

Complete fan: 5.7kg (48") / 5.9kg (56")

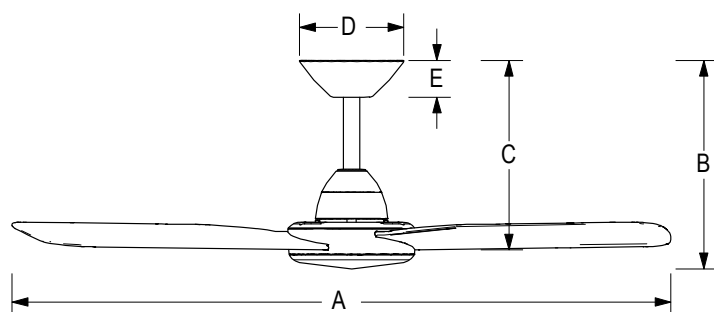
Packaging Dimensions (cm):

Complete Fan: 62.6L x 29W x 31.5H

	48"			56"		
	LOW	MED	HIGH	LOW	MED	HIGH
RPMS	80	149	205	77	135	181
WATTS	2.9	11.8	25.8	3.8	13.7	35.3
AIRFLOW (CMH)	4350	11501	13250	4835	12958	14953

* CMH = Cubic Meters per Hour

DIMENSIONS



X-Over 48"

A	1220mm
B	339mm
C	300mm
D	170mm
E	60mm

X-Over 56"

A	1420mm
B	339mm
C	300mm
D	170mm
E	60mm



X-Over 48"/56" with Light

- 3 SPEED WALL CONTROL
- 10° BLADE PITCH
- REVERSIBLE
- 7 YEAR WARRANTY



XOL302
WHITE
With white polymer blades
1220mm (48")



XOL310
WHITE
With white polymer blades
1420mm (56")

X-Over 48"/56" with Light

Product Range:

XOL302 - 48" White with White Blades
XOL310 - 56" White with White Blades

Features:

- Quick Connect Blade System
- 3 Speed Wall Control including RF MCU Unit
- Energy efficient and quiet DC motor
- Summer/Winter reversible via switch on motor
- ABS polymer UV stabilised blades
- Non Remote Adaptable
- 18W dimmable CCT LED light (requires dimmer)
- Suitable for pitched ceilings up to 28°
- 7 Year warranty

Installation Locations:

Coastal, indoor and outdoor locations. The fan is also suitable for installation in a pergola or outside in a sheltered area, protected from wind and rain.

There should be at least 2.1m between the lowest point of the fan blades and the floor.

Warranty:

- 3 year in-home warranty on the motor, excluding cosmetic issues and corrosion (unless reported in the first 3 months).
- 4 year additional Parts Only Warranty on the motor.
- 2 year in-home warranty on all DC electronic components such as DC remote control systems, lighting and Accessory Wall Control.
- 1 year warranty applies when the fan or relevant part is used in any non-domestic applications.

*For full warranty details please see Hunter Pacific International's website www.hunterpacific.com.au

Accessories (Supplied separately):

Down Rod 26mm diameter (includes wire loom)

010 - 91cm White Downrod
020 - 180cm White Downrod

38° Ceiling Kit (for pitched ceilings)

080 - Ceiling Kit White

009 - T-Hook for ceiling roses

DCS260 - Wall Mech and Magic Box to suit X-Over only

DCR248 - DC Receiver & Smart Switch X-Over 48"

DCR249 - DC Receiver and Smart Switch X-Over 56" only

W06-018 - Wall Mech and knob only

Light Fitting:

18W CCT LED light (dimmable)
Colour Temperatures: 3000 K, 4000 K, 6000 K
Output (lm): 1842 / 2370 / 2123

Extra Information:

Motor: 125mm x 13mm DC motor
Made with high grade copper windings and silicone steel stator. Bearings are sealed to ensure quiet operation and long life.

Blades: 1220mm (48") & 1420mm (56")
Materials: ABS polymer UV stabilised
Blade Pitch: 10°

Weight Including Packaging:

Complete fan: 6.2kg (48") / 6.4kg (56")

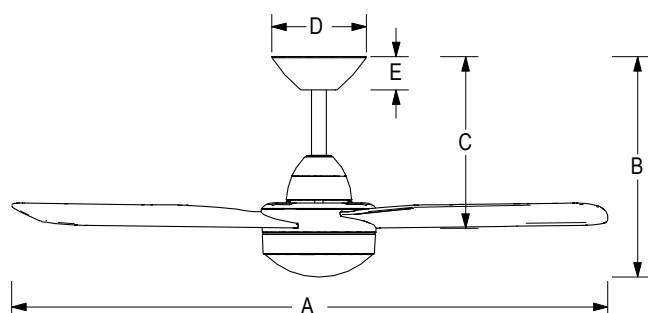
Packaging Dimensions (cm):

Complete Fan: 62.6L x 29W x 31.5H

	48"			56"		
	LOW	MED	HIGH	LOW	MED	HIGH
RPMS	80	149	205	77	135	181
WATTS	2.9	11.8	25.8	3.8	13.7	35.3
AIRFLOW (CMH)	4350	11501	13250	4835	12958	14953

* CMH = Cubic Meters per Hour

DIMENSIONS



X-Over 48"

A	1220mm
B	396mm
C	300mm
D	170mm
E	60mm

X-Over 56"

A	1420mm
B	396mm
C	300mm
D	170mm
E	60mm



X-Over 52"

- 3 SPEED WALL CONTROL
- 10.7° BLADE PITCH
- REVERSIBLE
- 7 YEAR WARRANTY



XO304
WHITE
With white polymer blades
1320mm (52")

X-Over 52"

Product Range:

XO304 - White with White Blades

Features:

- Quick Connect Blade System
- 3 Speed Wall Control including RF MCU Unit
- Energy efficient and quiet DC motor
- Summer/Winter reversible via switch on motor
- ABS polymer UV stabilised blades
- Non Remote Adaptable
- Suitable for pitched ceilings up to 28°
- 7 Year warranty

Installation Locations:

Coastal, indoor and outdoor locations. The fan is also suitable for installation in a pergola or outside in a sheltered area, protected from wind and rain.

There should be at least 2.1m between the lowest point of the fan blades and the floor.

Warranty:

- 3 year in-home warranty on the motor, excluding cosmetic issues and corrosion (unless reported in the first 3 months).
- 4 year additional Parts Only Warranty on the motor.
- 2 year in-home warranty on all DC electronic components such as DC remote control systems, lighting and Accessory Wall Control.
- 1 year warranty applies when the fan or relevant part is used in any non-domestic applications.

*For full warranty details please see Hunter Pacific International's website www.hunterpacific.com.au

Accessories (Supplied separately):

Down Rod 26mm diameter (includes wire loom)

- 010 - 91cm White Downrod
- 020 - 180cm White Downrod

38° Ceiling Kit (for pitched ceilings)

- 080 - Ceiling Kit White
- 009 - T-Hook for ceiling roses

- DCS260 - Wall Mech and Magic Box to suit X-Over only
- DCR248 - DC Receiver & Smart Switch X-Over 52"
- W06-018 - Wall Mech and knob only

Extra Information:

Motor: 125mm x 13mm DC motor
Made with high grade copper windings and silicone steel stator. Bearings are sealed to ensure quiet operation and long life.

Blades: 1320mm (52")
Materials: ABS polymer UV stabilised
Blade Pitch: 10.7°

Weight Including Packaging:

Complete fan: 6.2kg

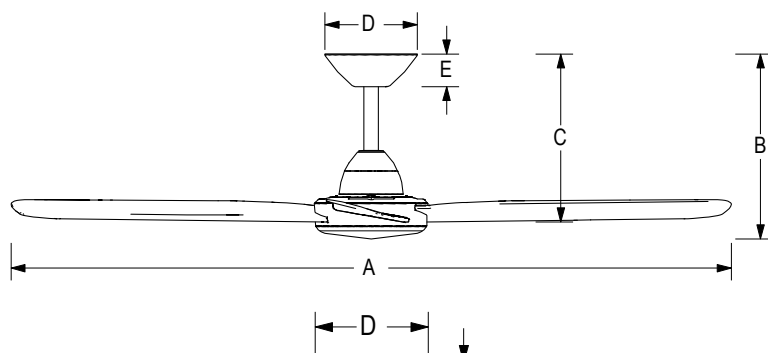
Packaging Dimensions (cm):

Complete Fan: 62.6L x 29W x 31.5H

	Low	Medium	High
RPMS	78	143	190
WATTS	3.0	10.8	25.1
AIRFLOW (CMH)	4828	12001	13852

* CMH = Cubic Meters per Hour

DIMENSIONS



A	1320mm
B	339mm
C	300mm
D	170mm
E	60mm



X-Over 52" with Light

- 3 SPEED WALL CONTROL
- 10.7° BLADE PITCH
- REVERSIBLE
- 7 YEAR WARRANTY



XOL306
WHITE
With white polymer blades
1320mm (52")

X-Over 52" with Light

Product Range:

XOL306 - White with White Blades

Features:

- Quick Connect Blade System
- 3 Speed Wall Control including RF MCU Unit
- Energy efficient and quiet DC motor
- Summer/Winter reversible via switch on motor
- ABS polymer UV stabilised blades
- Non Remote Adaptable
- 18W dimmable CCT LED light (requires dimmer)
- Suitable for pitched ceilings up to 28°
- 7 Year warranty

Installation Locations:

Coastal, indoor and outdoor locations. The fan is also suitable for installation in a pergola or outside in a sheltered area, protected from wind and rain.

There should be at least 2.1m between the lowest point of the fan blades and the floor.

Warranty:

- 3 year in-home warranty on the motor, excluding cosmetic issues and corrosion (unless reported in the first 3 months).
- 4 year additional Parts Only Warranty on the motor.
- 2 year in-home warranty on all DC electronic components such as DC remote control systems, lighting and Accessory Wall Control.
- 1 year warranty applies when the fan or relevant part is used in any non-domestic applications.

*For full warranty details please see Hunter Pacific International's website www.hunterpacific.com.au

Accessories (Supplied separately):

Down Rod 26mm diameter (includes wire loom)

- 010 - 91cm White Downrod
- 020 - 180cm White Downrod

38° Ceiling Kit (for pitched ceilings)

- 080 - Ceiling Kit White
- 009 - T-Hook for ceiling roses

- DCS260 - Wall Mech and Magic Box to suit X-Over only
- DCR248 - DC Receiver & Smart Switch X-Over 52"
- W06-018 - Wall Mech and knob only

Light Fitting:

18W CCT LED light (dimmable)
Colour Temperatures: 3000 K, 4000 K, 6000 K
Output (lm): 1842 / 2370 / 2123

Extra Information:

Motor: 125mm x 13mm DC motor
Made with high grade copper windings and silicone steel stator. Bearings are sealed to ensure quiet operation and long life.

Blades: 1320mm (52")
Materials: ABS polymer UV stabilised
Blade Pitch: 10.7°

Weight Including Packaging:

Complete fan: 6.7kg

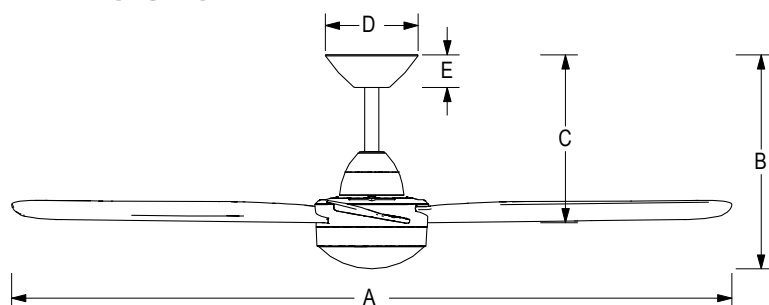
Packaging Dimensions (cm):

Complete Fan: 62.6L x 29W x 31.5H

	Low	Medium	High
RPMS	78	143	190
WATTS	3.0	10.8	25.1
AIRFLOW (CMH)	4828	12001	13852

* CMH = Cubic Meters per Hour

DIMENSIONS



A	1320mm
B	396mm
C	300mm
D	170mm
E	60mm



Smart Modules



DC SMART CEILING FAN CONTROL WITH SAL PIXIE

PLUG-IN module by Hunter Pacific International (requires licensed electrician)

Hunter Pacific International provides a plugin PIXIE module for a wide range of their indoor and outdoor DC powered, 9 speed ceiling fans. Once installed homeowners have complete smart control of ceiling fan speed, direction and light (if included) from the PIXIE mobile app, PIXIE Touch Panel**. (pictured here) and PIXIE wall control options**.

Smart Module

Simply fit the Hunter Pacific Pixie module (part#: PIXIE098) into the ceiling fan receiver base to unlock the benefits of smart control for your Hunter Pacific DC ceiling fans.



PIXIE098



PIXIE Multifunction Rotary Controller** #SMFR/BTAS



Pixie Touch Panel Part#:STP54BTAS**

On Wall Control, Anywhere

Using the PIXIE Multifunction Rotary Controller, home owners control ceiling fan speed and light functions from a single, familiar rotary dial interface. Homeowners can control their fans from multiple locations throughout their home.

More Control Options

Users control their fan's functions individually, and as groups including scheduling functions to maximise comfort.

Mobile App control from smart phones and tablets includes quick access widget control and voice control capability when enabled in the PIXIE PLUS App.

Control Panel

9 Speed fan control with intuitive dial interface with animated fan graphic for simple user speed feedback. Select between cool white, warm white and daylight on light enabled models and simply select your light level intensity using the slider. Activate timers to maximise comfort whilst automatically minimising energy usage.

** Note: This device is made and sold by Pixie and works exclusively with Pixie Smart Home Solution.



Smart Wifi Module

Powered by the Tuya app, once installed you will be able to control your Hunter Pacific DC 9 speed model Ceiling Fan from the Tuya app on your smart device

Also compatible with Google Home® and Amazon Alexa® for voice control and home automation. (see Fan Product Page for part numbers)

Compatible Models

- Aqua
- Evolve
- Magnum
- New Image
- Next Creation
- Pinacle
- Polar
- Radical 3
- The Big Fan



DC Wall Controller

DC 9 speed wall control to suit all HPI DC 9 speed V2 fans, Magnum, Radical 3 and Evolve. Wall control can be paired to multiple fans (needs to be in range) Functions: Fan-on/off, 6 speeds, timer (1hr,2hr,3hr & 6hr) Light- on/off, dimming. Suitable for motor max 75w and LED lighting 36w max loads. Remote control, and smart module (if installed) will still function. Soft touch LCD display. Illuminates blue LED when touched and remains lit for 4 seconds. Warranty: 2 year warranty from date of purchase* (see Fan Product Page for part numbers)

Compatible Models

- Aqua
- Evolve
- Magnum
- New Image
- Next Creation
- Polar
- Radical 3
- The Big Fan



38° Canopy Kit

38° Canopy kits to allows installation of ceiling fans on a raked ceiling up to a 38° pitch. For use with 26mm rods only. Note: Using the 38° canopy kit with an Aqua ip66 ceiling fan will void the IP rating.

Colours: White, Silver, Black
(see Fan Product Page for part numbers)

Compatible Models

- Aqua
- Evolve
- Magnum
- New Image
- Next Creation
- Pinacle
- Polar
- Radical 3
- X-Over



T-Hook / Ceiling Rose Mount

Designed to preserve decorative ceilings, and to offer support for suspended and non-structural ceilings. Suitable for all HPI ceiling fans. NOT suitable for The Big Fan.

Part #: 009

Compatible Models

- Aqua
- Evolve
- Magnum
- New Image
- Next Creation
- Pinacle
- Polar
- Radical 3
- X-Over



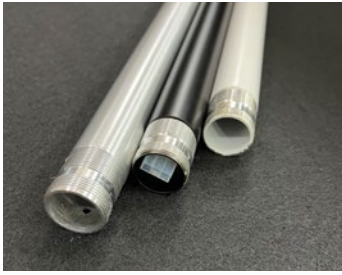
DC Extension Rods | 26mm

Down rod to suit HPI V2 DC ceiling fans only. Rod can be cut to desired length by installing electrician.

Colours: White, Black, Brushed Aluminium
Lengths: 91cm & 180cm
(see Fan Product Page for part numbers)

Compatible Models

- Evolve
- Magnum
- New Image
- Next Creation
- Polar
- Radical 3



DC Extension Rods | 26mm Threaded

Threaded down rod to suit HPI V2 Aqua & Pinnacle DC, also compatible with HPI DC fans. Rod can be cut to desired length by installing electrician. Supplied with V1 & V2 looms. Refer accessory matrix for product compatibility.

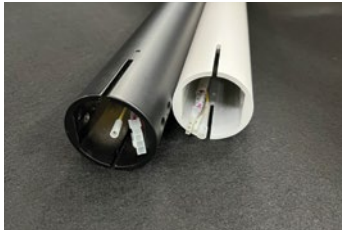
Colours: White, Black, Brushed Aluminium

Lengths: 91cm & 180cm

(see Fan Product Page for part numbers)

Compatible Models

Aqua & Pinnacle V1 & V2 and All other V1 DC



DC Extension Rods | 60mm (for The Big Fan only)

60mm diameter down rod to suit HPI V2 The Big Fan only. Rod cannot be cut.

Colours: White, Black

Lengths: 91cm & 180cm

(see Fan Product Page for part numbers)

Compatible Models

The Big Fan

DC Remotes & Receivers



Replacement Handset HPI V1 and 6 speed ceiling fans

Replacement handset only to suit HPI V1 and 6 speed ceiling fans. Includes wall mount bracket, complimentary batteries & screw pack.

(Contact our sales team for more information)

Compatible Models

HPI V1 and 6 speed ceiling fans



Replacement Handset HPI V2 and 9 speed ceiling fans

Replacement handset only to suit HPI V2 and 9 speed ceiling fans. Includes wall mount bracket, complimentary batteries & screw pack.

(Contact our sales team for more information)

Compatible Models

HPI V2 and 9 speed ceiling fans



DC 9 Speed No Light Remote & Receiver Packs

Rectangular black receiver for no light V2 and 9 speed DC ceiling fans. ADP5PIN is included to upgrade 6 speed V1 fan to enable 9 speed and smart module compatibility. Pack includes: Receiver, handset, wall mount cradle and screw pack, ADP5PIN.

(Contact our sales team for more information)

Compatible Models

Pinnacle, New Image, Next Creation, Polar NO light models
Aqua 52" NO light models
Aqua 70" NO light models
The Big Fan 86" & 106"
Radical 3 NO light models
Magnum



DC 9 Speed With Light Remote & Receiver Packs

T-shaped black receiver for with light V2 and 9 speed DC ceiling fans. ADP3PIN is included to upgrade 6 speed V1 fan to enable 9 speed and smart module compatibility. Pack includes: Receiver, handset, wall mount cradle and screw pack, ADP3PIN. (Contact our sales team for more information)

Compatible Models

Pinnacle, New Image, Next Creation, Polar WITH light models
Aqua 52" WITH light models
Aqua 70" WITH light models
Radical 3 WITH light models



DC Receiver & Smart Switch X-Over Only

(Contact our sales team for more information)

DC Magic Box & Mech X-Over only

(Contact our sales team for more information)

Compatible Models

X-Over 48" and 52"
X-Over 56"



Revolution 3 52"

- 3 SPEED WALL CONTROL
- REMOTE ADAPTABLE
- REVERSIBLE
- 10° BLADE PITCH
- 7 YEAR WARRANTY



A3180
WHITE
 With White blades
 1320mm (52")



A3183
WHITE WITH LIGHT
 With White blades
 1320mm (52")

^Please refer to website terms & conditions

Revolution 3 52"

Product Range:

A3180 - White with White Blades
A3183 - White with White Blades with Light

Features:

- 3 Speed wall controller
- Summer/Winter reversible via switch on motor
- Slimline Motor Technology (SMT)
- Dynamic Aerofoil Injection moulded blades
- Remote Adaptable
- Suitable for flat & pitched ceilings up to 28°
- 7 Year warranty

Installation Locations:

Indoor, coastal and outdoor undercover (provided the fan is fully undercover). Also suitable for installation in a pergola or outside in a sheltered area, protected from wind and rain.

There should be at least 2.1m between the lowest point of the fan blades and the floor.

Wall Controller Speed Capacitor Values:

3.5µF & 2µF

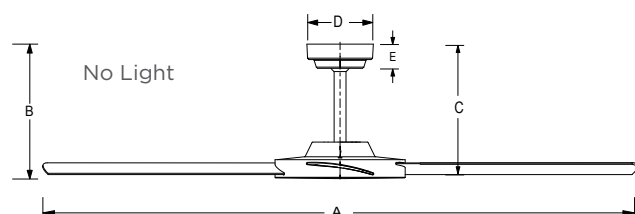
Warranty:

- 3 year in-home warranty on the motor, excluding cosmetic issues and corrosion (unless reported in the first 3 months).
- 4 year additional Parts Only Warranty on the motor.
- All non-integrated HPI light kits and AC remote control systems are separately purchased accessories for AC ceiling fans, and as such are covered by our accessory parts warranty.
- 1 year warranty applies when the fan or relevant part is used in any non-domestic applications.

*For full warranty details please see Hunter Pacific International's website www.hunterpacific.com.au

DIMENSIONS

	No Light	With Light
A	1320mm	1320mm
B	300mm	330mm
C	290mm	290mm
D	148mm	148mm
E	53.5mm	53.5mm



Accessories (Supplied separately):

Down Rod 26mm diameter (includes wire loom)

010 - 91cm White Downrod
020 - 180cm White Downrod

38° Ceiling Kit (for pitched ceilings)

080 - Ceiling Kit White

009 - T-Hook for ceiling roses

AC Remote Control Units

A2002 - Konetik (3 speed - non dimming AC remote)
A2003 - Logic (4 speed - dimming AC remote)

Zellweger Ripple Tone Filter Unit

007 - ZF-1050 Notch Filter Noise Suppressor
008 - ZF-750 Notch Filter Noise Suppressor

A3192 - Revolution 3 White 24W LED Replacement
W06-015 Capacitor 2 & 3.5uF
W06-018 Wall Mech & Knob Only
W06-023 Start Run Cap 1.8uF
W06-026 Wall Mech & Capacitor 2 & 3.5uF

A3183 with Light Model:

24W dimmable LED light (via accessory remote or compatible dimmer)

Colour Temperatures: 3000 K, 4000 K, 6000 K
Requires dimmable remote or compatible wall dimmer.

Extra Information:

Motor: 16 Pole, 153mm x 18mm motor
Made with high grade copper windings and silicone steel stator. Bearings are sealed to ensure quiet operation and long life.

Blades: 1320mm (52")

Materials: Injection moulded polymer.
Blade Pitch: 10°

Weight Including Packaging:

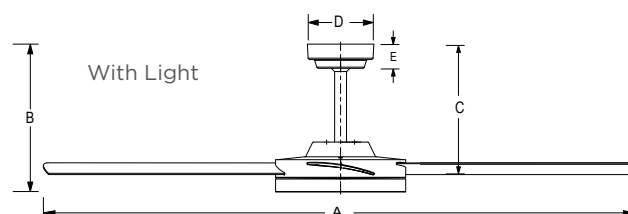
Complete fan: A3180 - 8.07kg, A3183 - 9.23kg

Packaging Dimensions (cm):

Complete Fan: 61.5L x 33W x 25H

	Low	Medium	High
RPMS	95	135	203
WATTS	11.9	25.0	55.9
AIRFLOW: CMH*	5163	7213	14308

* CMH = Cubic Meters per Hour





Concept 52"

- 3 SPEED WALL CONTROL
- REMOTE ADAPTABLE
- REVERSIBLE
- 11° BLADE PITCH
- 7 YEAR WARRANTY



C500
WHITE
With white blades
1320mm (52")



C501
MATT BLACK
With matt black blades
1320mm (52")



C502
BRUSHED ALUMINIUM
With silver blades
1320mm (52")

^Please refer to website terms & conditions

Concept 52"

Product Range:

C500 - White with White Blades
 C501 - Matt Black with Matt Black Blades
 C502 - Brushed Aluminium with Silver Blades

Features:

- 3 Speed wall controller
- Summer/Winter reversible via switch on motor
- Polymer tapered blades
- Remote Adaptable
- Suitable for flat & pitched ceilings up to 28°
- 7 Year warranty

Installation Locations:

Indoor, coastal and outdoor undercover (provided the fan is fully undercover). Also suitable for installation in a pergola or outside in a sheltered area, protected from wind and rain.

There should be at least 2.1m between the lowest point of the fan blades and the floor.

Wall Controller Speed Capacitor Values:

3.5µF & 2µF

Warranty:

- 3 year in-home warranty on the motor, excluding cosmetic issues and corrosion (unless reported in the first 3 months).
- 4 year additional Parts Only Warranty on the motor.
- All non-integrated HPI light kits and AC remote control systems are separately purchased accessories for AC ceiling fans, and as such are covered by our accessory parts warranty.
- 1 year warranty applies when the fan or relevant part is used in any non-domestic applications.

*For full warranty details please see Hunter Pacific International's website www.hunterpacific.com.au

	Low	Medium	High
RPMS	84	121	192
WATTS	12.5	26	62
AIRFLOW (CMH)	4986	6987	14096

*CMH = Cubic Meters per Hour

Accessories (Supplied separately):

Down Rod 26mm diameter (includes wire loom)

010 - 91cm White Downrod
 013 - 91cm Black Downrod
 018 - 91cm Brushed Aluminium Downrod
 020 - 180cm White Downrod
 023 - 180cm Black Downrod
 028 - 180cm Brushed Aluminium Downrod

38° Ceiling Kit (for pitched ceilings)

080 - Ceiling Kit White
 082 - Ceiling Kit Painted Silver
 083 - Ceiling Kit Black

009 - T-Hook for ceiling roses

AC Remote Control Units

A2002 - Konetik (3 speed - non dimming AC remote)
 A2003 - Logic (4 speed - dimming AC remote)

Zellweger Ripple Tone Filter Unit

007 - ZF-1050 Notch Filter Noise Suppressor
 008 - ZF-750 Notch Filter Noise Suppressor

W06-015 Capacitor 2 & 3.5uF
 W06-018 Wall Mech & Knob Only
 W06-023 Start Run Cap 1.8uF
 W06-026 Wall Mech & Capacitor 2 & 3.5uF

Extra Information:

Motor: 153mm x 15mm 16 Pole AC motor
 Made with high grade copper windings and silicone steel stator. Bearings are sealed to ensure quiet operation and long life.

Blades: 1320mm (52")
 Materials: Polymer tapered
 Blade Pitch: 11°

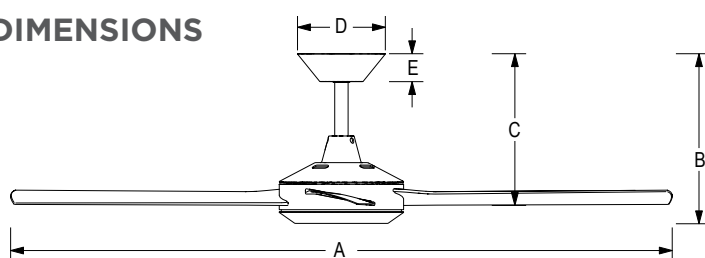
Weight Including Packaging:

Complete fan: 7.9 kg

Packaging Dimensions (cm):

Complete Fan: 61.7L x 38.2W x 31.5H

DIMENSIONS



A	1320mm
B	335mm
C	270mm
D	173mm
E	56mm



Concept 52" with LED Light

- 3 SPEED WALL CONTROL
- REMOTE ADAPTABLE
- REVERSIBLE
- 11° BLADE PITCH
- 7 YEAR WARRANTY



CL506
WHITE
With white blades
1320mm (52")



CL507
MATT BLACK
With matt black blades
1320mm (52")



CL508
BRUSHED ALUMINIUM
With silver blades
1320mm (52")

[^]Please refer to website terms & conditions

Concept 52" with LED Light

Product Range:

- CL506 - White with White Blades
- CL507 - Matt Black with Matt Black Blades
- CL508 - Brushed Aluminium with Silver Blades

Features:

- 3 Speed wall controller
- Summer/Winter reversible via switch on motor
- Polymer tapered blades
- Remote Adaptable
- Suitable for flat & pitched ceilings up to 28°
- Acrylic diffuser
- 7 Year warranty

Installation Locations:

Indoor, coastal and outdoor undercover (provided the fan is fully undercover). Also suitable for installation in a pergola or outside in a sheltered area, protected from wind and rain.

There should be at least 2.1m between the lowest point of the fan blades and the floor.

Wall Controller Speed Capacitor Values:

3.5µF & 2µF

Light Fitting:

24W dimmable LED light (via accessory remote or compatible dimmer)

Colour Temperatures: 3000 K, 4000 K, 6000 K
Output (lm): 1842 / 2370 / 2123

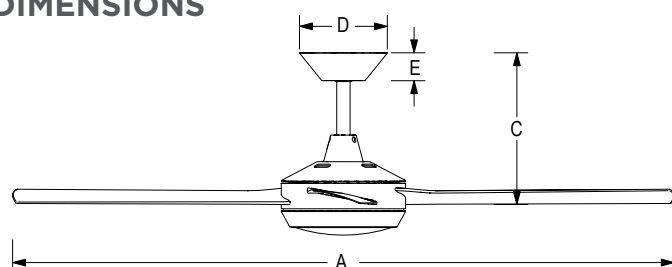
Requires dimmable remote or compatible wall dimmer.

Warranty:

- 3 year in-home warranty on the motor, excluding cosmetic issues and corrosion (unless reported in the first 3 months).
- 4 year additional Parts Only Warranty on the motor.
- All non-integrated HPI light kits and AC remote control systems are separately purchased accessories for AC ceiling fans, and as such are covered by our accessory parts warranty.
- 1 year warranty applies when the fan or relevant part is used in any non-domestic applications.

*For full warranty details please see Hunter Pacific International's website www.hunterpacific.com.au

DIMENSIONS



Accessories (Supplied separately):

Down Rod 26mm diameter (includes wire loom)

- 010 - 91cm White Downrod
- 013 - 91cm Black Downrod
- 018 - 91cm Brushed Aluminium Downrod
- 020 - 180cm White Downrod
- 023 - 180cm Black Downrod
- 028 - 180cm Brushed Aluminium Downrod

38° Ceiling Kit (for pitched ceilings)

- 080 - Ceiling Kit White
- 082 - Ceiling Kit Painted Silver
- 083 - Ceiling Kit Black

- 009 - T-Hook for ceiling roses

AC Remote Control Units

- A2002 - Konetik (3 speed - non dimming AC remote)
- A2003 - Logic (4 speed - dimming AC remote)

Zellweger Ripple Tone Filter Unit

- 007 - ZF-1050 Notch Filter Noise Suppressor
- 008 - ZF-750 Notch Filter Noise Suppressor

- W06-015 Capacitor 2 & 3.5uF
- W06-018 Wall Mech & Knob Only
- W06-023 Start Run Cap 1.8uF
- W06-026 Wall Mech & Capacitor 2 & 3.5uF

Extra Information:

Motor: 153mm x 15mm 16 Pole AC motor
Made with high grade copper windings and silicone steel stator. Bearings are sealed to ensure quiet operation and long life.

Blades: 1320mm (52")
Materials: Polymer tapered
Blade Pitch: 11°

Weight Including Packaging:

Complete fan: 8.5 kg

Packaging Dimensions (cm):

Complete Fan: 61.7L x 28.2W x 31.5H

	Low	Medium	High
RPMS	84	121	192
WATTS	12.5	26	62
AIRFLOW (CMH)	4986	6987	14096

*CMH = Cubic Meters per Hour

A	1320mm
B	365mm
C	270mm
D	173mm
E	56mm



Concept 52" with 2xE27 Light

- 3 SPEED WALL CONTROL
- REMOTE ADAPTABLE
- REVERSIBLE
- 11° BLADE PITCH
- 7 YEAR WARRANTY



CL503
WHITE
With white blades
1320mm (52")

^Please refer to website terms & conditions

Concept 52" with 2xE27 Light

Product Range:

CL503 - White with White Blades

Features:

- 3 Speed wall controller (mechanical only)
- Summer/Winter reversible via switch on motor
- Polymer tapered blades
- Remote Adaptable
- Suitable for pitched ceilings up to 28°
- Acrylic diffuser
- 7 Year warranty

Installation Locations:

Indoor, coastal and outdoor undercover (provided the fan is fully undercover). Also suitable for installation in a pergola or outside in a sheltered area, protected from wind and rain.

There should be at least 2.1m between the lowest point of the fan blades and the floor.

Wall Controller Speed Capacitor Values:

3.5µF & 2µF

Light Fitting:

2x E27 lamp holders (bulbs not included)

Warranty:

- 3 year in-home warranty on the motor, excluding cosmetic issues and corrosion (unless reported in the first 3 months).
- 4 year additional Parts Only Warranty on the motor.
- All non-integrated HPI light kits and AC remote control systems are separately purchased accessories for AC ceiling fans, and as such are covered by our accessory parts warranty.
- 1 year warranty applies when the fan or relevant part is used in any non-domestic applications.

*For full warranty details please see Hunter Pacific International's website www.hunterpacific.com.au

Accessories (Supplied separately):

Down Rod 26mm diameter (includes wire loom)

- 010 - 91cm White Downrod
- 020 - 180cm White Downrod

38° Ceiling Kit (for pitched ceilings)

- 080 - Ceiling Kit White

- 009 - T-Hook for ceiling roses

AC Remote Control Units

- A2002 - Konetik (3 speed - non dimming AC remote)
- A2003 - Logic (4 speed - dimming AC remote)

Zellweger Ripple Tone Filter Unit

- 007 - ZF-1050 Notch Filter Noise Suppressor
- 008 - ZF-750 Notch Filter Noise Suppressor

- W06-015 Capacitor 2 & 3.5uF
- W06-018 Wall Mech & Knob Only
- W06-023 Start Run Cap 1.8uF
- W06-026 Wall Mech & Capacitor 2 & 3.5uF

Extra Information:

Motor: 153mm x 15mm 16 Poles AC motor
Made with high grade copper windings and silicone steel stator. Bearings are sealed to ensure quiet operation and long life.

Blades: 1320mm (52")

Materials: Polymer
Blade Pitch: 11°

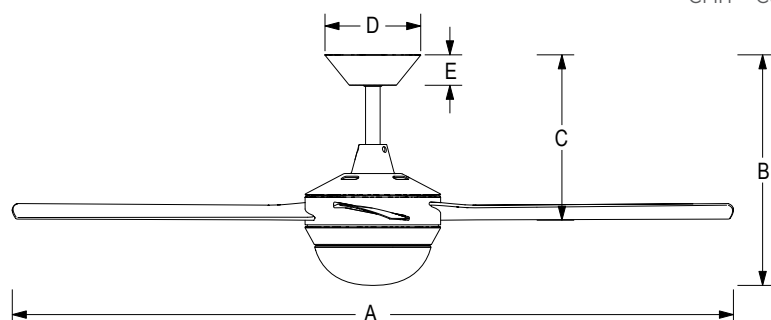
Weight Including Packaging:

Complete fan: 8.5 kg

Packaging Dimensions (cm):

Complete Fan: 61.7L x 28.2W x 31.5H

DIMENSIONS



	Low	Medium	High
RPMS	84	121	192
WATTS	12.5	26	62
AIRFLOW (CMH)	4986	6987	14096

*CMH = Cubic Meters per Hour

A	1320mm
B	432mm
C	302mm
D	173mm
E	56mm



Azure Moulded 48"

- 3 SPEED WALL CONTROL
- REMOTE ADAPTABLE
- REVERSIBLE
- 10° BLADE PITCH
- 7 YEAR WARRANTY



A223
WHITE
With white moulded blades
1220mm (48")

^Please refer to website terms & conditions

Azure Moulded 48"

Product Range:

A223 - White with White Blades

Features:

- 3 Speed wall controller
- Summer/Winter reversible via switch on motor
- Moulded plastic blades
- Remote Adaptable
- Suitable for flat & pitched ceilings up to 28°
- 7 Year warranty

Installation Locations:

Indoor installation only.

There should be at least 2.1m between the lowest point of the fan blades and the floor.

Wall Controller Speed Capacitor Values:

3.5µF & 2µF

Warranty:

- 3 year in-home warranty on the motor, excluding cosmetic issues and corrosion (unless reported in the first 3 months).
- 4 year additional Parts Only Warranty on the motor.
- All non-integrated HPI light kits and AC remote control systems are separately purchased accessories for AC ceiling fans, and as such are covered by our accessory parts warranty.
- 1 year warranty applies when the fan or relevant part is used in any non-domestic applications.

*For full warranty details please see Hunter Pacific International's website www.hunterpacific.com.au

Accessories (Supplied separately):

Down Rod 21mm diameter (includes wire loom)

- 050 - 91cm White Downrod
- 060 - 180cm White Downrod

009 - T-Hook for ceiling roses

AC Remote Control Units

- A2002 - Konetik (3 speed - non dimming AC remote)
- A2003 - Logic (4 speed - dimming AC remote)

Zellweger Ripple Tone Filter Unit

- 007 - ZF-1050 Notch Filter Noise Suppressor
- 008 - ZF-750 Notch Filter Noise Suppressor

- W06-015 Capacitor 2 & 3.5µF
- W06-018 Wall Mech & Knob Only
- W06-023 Start Run Cap 1.8µF
- W06-026 Wall Mech & Capacitor 2 & 3.5µF

Extra Information:

Motor: 153mm x 15mm motor 16 Pole, Made with the highest grade copper windings and silicone steel stator. Bearings are sealed to ensure quiet operation and long life.

Blades: 1220mm (48") Straight Style
Materials: Moulded plastic
Blade Pitch: 10°

Weight Including Packaging:

Complete fan: 7.9kg

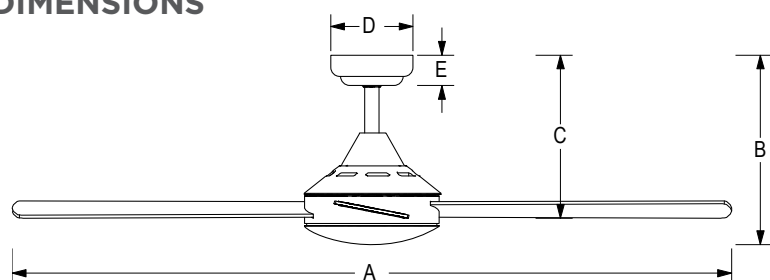
Packaging Dimensions (cm):

54.3L x 25.3W x 27.5H

	Low	Medium	High
RPMS	102	145	182
WATTS	16.9	36.3	64.0
AIRFLOW: CMH*	6459	8637	11542

* CMH = Cubic Meters per Hour

DIMENSIONS



A	1220mm
B	363mm
C	316mm
D	131mm
E	57mm



Azure Moulded 48" with 2xE27 Light

- 3 SPEED WALL CONTROL
- REMOTE ADAPTABLE
- REVERSIBLE
- 10° BLADE PITCH
- 7 YEAR WARRANTY



A225
WHITE
With white moulded blades
1220mm (48")

^Please refer to website terms & conditions

Azure Moulded 48" with 2xE27 Light

Product Range:

A225 - White with White Blades 2xE27 Light Kit

Features:

- 3 Speed wall controller
- Summer/Winter reversible via switch on motor
- Moulded plastic blades
- Remote Adaptable
- Suitable for pitched ceilings up to 28°
- 7 Year warranty

Installation Locations:

Indoor installation only.

There should be at least 2.1m between the lowest point of the fan blades and the floor.

Wall Controller Speed Capacitor Values:

3.5µF & 2µF

Warranty:

- 3 year in-home warranty on the motor, excluding cosmetic issues and corrosion (unless reported in the first 3 months).
- 4 year additional Parts Only Warranty on the motor.
- All non-integrated HPI light kits and AC remote control systems are separately purchased accessories for AC ceiling fans, and as such are covered by our accessory parts warranty.
- 1 year warranty applies when the fan or relevant part is used in any non-domestic applications.

*For full warranty details please see Hunter Pacific International's website www.hunterpacific.com.au

Accessories (Supplied separately):

Down Rod 21mm diameter (includes wire loom)

- 050 - 91cm White Downrod
- 060 - 180cm White Downrod

009 - T-Hook for ceiling roses

AC Remote Control Units

- A2002 - Konetik (3 speed - non dimming AC remote)
- A2003 - Logic (4 speed - dimming AC remote)

Zellweger Ripple Tone Filter Unit

- 007 - ZF-1050 Notch Filter Noise Suppressor
- 008 - ZF-750 Notch Filter Noise Suppressor

W04-504 Replacement Diffuser Only

W06-015 Capacitor 2 & 3.5uF

W06-018 Wall Mech & Knob Only

W06-023 Start Run Cap 1.8uF

W06-026 Wall Mech & Capacitor 2 & 3.5uF

Available integrated light options:

2x E27 screw sockets (bulbs not supplied)

Extra Information:

Motor: 153mm x 15mm motor 16 Pole
Made with the highest grade copper windings and silicone steel stator. Bearings are sealed to ensure quiet operation and long life.

Blades: 1220mm (48") Straight Style
Materials: Moulded plastic
Blade Pitch: 10°

Weight Including Packaging:

Complete fan: 8.1kg

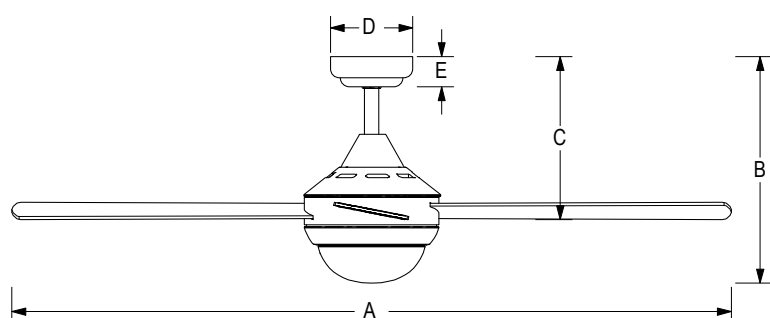
Packaging Dimensions (cm):

54.3L x 25.3W x 27.5H

	Low	Medium	High
RPMS	102	145	182
WATTS	16.9	36.3	64.0
AIRFLOW: CMH*	6459	8637	11542

* CMH = Cubic Meters per Hour

DIMENSIONS



A	1220mm
B	419mm
C	316mm
D	131mm
E	57mm



Typhoon Mach 3 White

48"/52"/56"

3 SPEED
WALL
CONTROL

LIGHT
ADAPTABLE

REMOTE
ADAPTABLE

REVERSIBLE

19°
BLADE
PITCH

7 YEAR
WARRANTY



WHITE

With white blades

A3400 - 1220mm (48")

A3410 - 1320mm (52")

A3420 - 1420mm (56")

^Please refer to website terms & conditions

Typhoon Mach 3 White 48"/52"/56"

Product Range:

White with White Blades
 A3400 - 1220mm (48")
 A3410 - 1320mm (52")
 A3420 - 1420mm (56")

Features:

- 3 Speed wall controller
- Summer/Winter reversible via switch on motor
- Light Adaptable
- Remote Adaptable
- Suitable for pitched ceilings up to 32°
- 7 Year warranty

Installation Locations:

White: Indoor Only
 316 Stainless Steel: Indoor, coastal and outdoor undercover (provided the fan is fully undercover).

Wall Controller Speed Capacitor Values:

2.5µF & 4.5µF

Warranty:

- 3 year in-home warranty on the motor, excluding cosmetic issues and corrosion (unless reported in the first 3 months).
- 4 year additional Parts Only Warranty on the motor.
- All non-integrated HPI light kits and AC remote control systems are separately purchased accessories for AC ceiling fans, and as such are covered by our accessory parts warranty.
- 1 year warranty applies when the fan or relevant part is used in any non-domestic applications.

*For full warranty details please see Hunter Pacific International's website www.hunterpacific.com.au

Accessories (Supplied separately):

Down Rod 21mm diameter (includes wire loom)

050 - 91cm White Downrod
 060 - 180cm White Downrod
 009 - T-Hook for ceiling roses

AC Remote Control Units

A2002 - Konetik (3 speed - non dimming AC remote)
 A2003 - Logic (4 speed - dimming AC remote)

Light Kit (lamps not included)

A3480 - Eclipse White 2 x E27 light

Zellweger Ripple Tone Filter Unit

007 ZF-1050 Notch Filter Noise Suppressor
 008 ZF-750 Notch Filter Noise Suppressor

W06-018 Wall Mech & Knob Only

W06-028 Start Run Capacitor 2.2uF

Extra Information:

Motor: 194mm x 14mm motor 16 Pole
 Made with the highest grade copper windings and silicone steel stator. Bearings are sealed to ensure quiet operation and long life.

Blades:

1220mm (48"), 1320mm (52"), 1420mm (56")
 Materials: 316 Stainless Steel or White Aluminium painted blades
 Blade Pitch: 19°

Packaging Dimensions (cm):

Complete fan:
 (48"): 62L x 23W x 27H
 (52"): 62L x 23W x 27H
 (56"): 71L x 23W x 27H

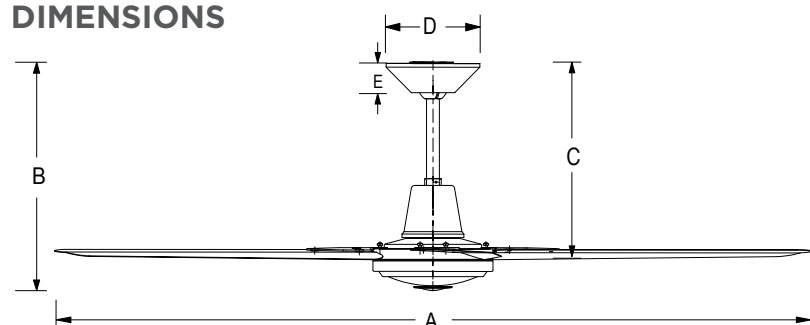
Weight Including Packaging:

Complete fan: 8kg (48" & 52") / 9kg (56")

	1220mm (48")			1320mm (52")			1420mm (56")		
	LOW	MEDIUM	HIGH	LOW	MEDIUM	HIGH	LOW	MEDIUM	HIGH
RPMS	102	189	258	98	154	208	94	164	220
WATTS	14.0	29.9	64.1	14.0	30.0	64.0	18.0	34.0	72.8
AIRFLOW (CMH)	5627	8948	13824	7239	11137	16345	7941	12498	18512

* CMH = Cubic Meters per Hour

DIMENSIONS



	1220mm (48")	1320mm (52")	1420mm (56")
A	1220mm	1320mm	1420mm
B	370mm	370mm	370mm
C	320mm	320mm	320mm
D	153mm	153mm	153mm
E	48mm	48mm	48mm



Typhoon Mach 3

316 Stainless Steel 48"/52"/56"

- 3 SPEED WALL CONTROL
- LIGHT ADAPTABLE
- REMOTE ADAPTABLE
- REVERSIBLE
- 19° BLADE PITCH
- 7 YEAR WARRANTY



316 STAINLESS STEEL
 With stainless steel blades
 A3402 - 1220mm (48")
 A3412 - 1320mm (52")
 A3422 - 1420mm (56")

^Please refer to website terms & conditions

Typhoon Mach 3 316 Stainless Steel 48"/52"/56"

Product Range:

316 Stainless Steel with Stainless Steel Blades
 A3402 - 1220mm (48")
 A3412 - 1320mm (52")
 A3422 - 1420mm (56")

Features:

- 3 Speed wall controller
- Summer/Winter reversible via switch on motor
- Light Adaptable
- Remote Adaptable
- Suitable for pitched ceilings up to 32°
- 7 Year warranty

Installation Locations:

White: Indoor Only
 316 Stainless Steel: Indoor, coastal and outdoor undercover (provided the fan is fully undercover).

Wall Controller Speed Capacitor Values:

2.5µF & 4.5µF

Warranty:

- 3 year in-home warranty on the motor, excluding cosmetic issues and corrosion (unless reported in the first 3 months).
- 4 year additional Parts Only Warranty on the motor.
- All non-integrated HPI light kits and AC remote control systems are separately purchased accessories for AC ceiling fans, and as such are covered by our accessory parts warranty.
- 1 year warranty applies when the fan or relevant part is used in any non-domestic applications.

*For full warranty details please see Hunter Pacific International's website www.hunterpacific.com.au

Accessories (Supplied separately):

Down Rod 21mm diameter (includes wire loom)

059 - 91cm 316 Stainless Steel Downrod
 068 - 150cm 316 Stainless Steel Downrod
 009 - T-Hook for ceiling roses

AC Remote Control Units

A2002 - Konetik (3 speed - non dimming AC remote)
 A2003 - Logic (4 speed - dimming AC remote)

Light Kit (lamps not included)

A3484 - Eclipse 316 Stainless Steel 2 x E27 Light

Zellweger Ripple Tone Filter Unit

007 ZF-1050 Notch Filter Noise Suppressor
 008 ZF-750 Notch Filter Noise Suppressor

W06-018 Wall Mech & Knob Only

W06-028 Start Run Capacitor 2.2uF

Extra Information:

Motor: 194mm x 14mm motor 16 Pole
 Made with the highest grade copper windings and silicone steel stator. Bearings are sealed to ensure quiet operation and long life.

Blades:

1220mm (48"), 1320mm (52"), 1420mm (56")
 Materials: 316 Stainless Steel or White Aluminium painted blades
 Blade Pitch: 19°

Packaging Dimensions (cm):

Complete fan:
 (48"): 62L x 23W x 27H
 (52"): 62L x 23W x 27H
 (56"): 71L x 23W x 27H

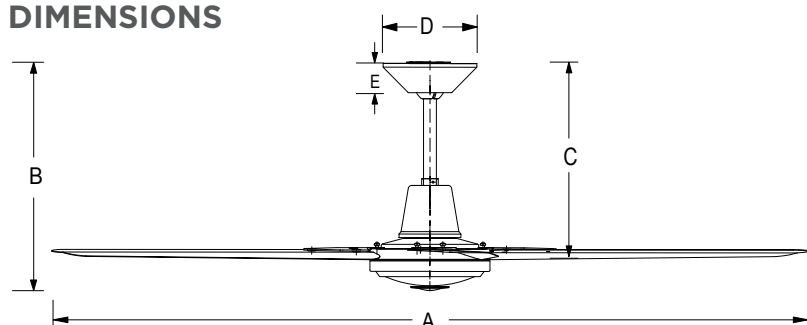
Weight Including Packaging:

Complete fan: 8kg (48" & 52") / 9kg (56")

	1220mm (48")			1320mm (52")			1420mm (56")		
	LOW	MEDIUM	HIGH	LOW	MEDIUM	HIGH	LOW	MEDIUM	HIGH
RPMS	102	189	258	98	154	208	94	164	220
WATTS	14.0	29.9	64.1	14.0	30.0	64.0	18.0	34.0	72.8
AIRFLOW (CMH)	5627	8948	13824	7239	11137	16345	7941	12498	18512

* CMH = Cubic Meters per Hour

DIMENSIONS



	1220mm (48")	1320mm (52")	1420mm (56")
A	1220mm	1320mm	1420mm
B	370mm	370mm	370mm
C	320mm	320mm	320mm
D	153mm	153mm	153mm
E	48mm	48mm	48mm



Majestic Coolah 52"

- 3 SPEED PULL CORD
- REMOTE ADAPTABLE
- REVERSIBLE
- 11° BLADE PITCH
- 7 YEAR WARRANTY



830
WHITE
With white blades
(Rattan Insert on one side)
1320mm (52")



837
ANTIQUE BRASS
With walnut blades
(Rattan Insert on one side)
1320mm (52")

^Please refer to website terms & conditions

Majestic Coolah 52"

Product Range:

- 830 - White with White Blades
- 837 - Antique Brass with Walnut Blades

Features:

- 3 Speed pull cord
- Summer/Winter reversible via switch on motor
- Plywood blades
- Remote adaptable
- 3 speed wall control adaptable
- Suitable for flat & pitched ceilings up to 32°
- 7 Year warranty.

Installation Locations:

Indoor installation only.

Warranty:

- 3 year in-home warranty on the motor, excluding cosmetic issues and corrosion (unless reported in the first 3 months).
- 4 year additional Parts Only Warranty on the motor.
- All non-integrated HPI light kits and AC remote control systems are separately purchased accessories for AC ceiling fans, and as such are covered by our accessory parts warranty.
- 1 year warranty applies when the fan or relevant part is used in any non-domestic applications.

*For full warranty details please see Hunter Pacific International's website www.hunterpacific.com.au

Accessories (Supplied separately):

Down Rod 21mm diameter (includes wire harness)

- 050 - 91cm White Downrod
- 060 - 180cm White Downrod
- 067 - 180cm Antique/Brass Downrod

009 - T-Hook for ceiling roses

AC Remote Control Units

- A2002 - Konetik (3 speed - non dimming AC remote)
- A2003 - Logic (4 speed - dimming AC remote)

Zellweger Ripple Tone Filter Unit

- 007 ZF-1050 Notch Filter Noise Suppressor
- 008 ZF-750 Notch Filter Noise Suppressor
- W06-026 Wall Mech & Capacitor 2 & 3.5uF
- A3480 Eclipse White 2 x E27

Extra Information:

Motor: 153mm x 15mm motor 16 Pole
Made with the highest grade copper windings and silicone steel stator. Bearings are sealed to ensure quiet operation and long life.

Blades: 1320mm (52")
Materials: NZ Plywood (Flat colours- Painted & Lacquered, Wood grain colours - Laminated & Lacquered)
Blade Pitch: 11°

Weight Including Packaging:

Complete fan: 6 kg

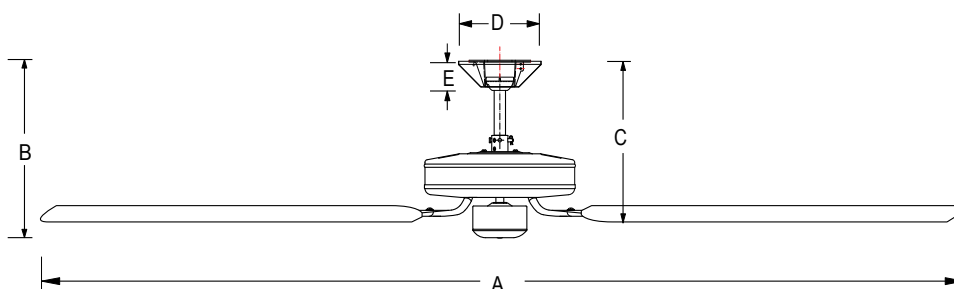
Packaging Dimensions (cm):

Complete fan: 53L x 25W x 26H

	Low	Medium	High
RPMS	101	136	197
WATTS	18.5	31.0	60.9
AIRFLOW: CMH*	5168	7189	11073

* CMH = Cubic Meters per Hour

DIMENSIONS



A	1320mm
B	360mm
C	310mm
D	173mm
E	53mm



AC Fan Accessories & Spare parts

AC Fan Remote Kits



Konetik AC Fan Remote Kit

Konetik is an AC fan replacement remote & receiver. Functions: Fan- on/off, 3 speed. Light: On/Off and Power-on-light (POL) selector. Suitable for 80w max motor and 80w max (36w LED) lighting load. Pack includes: Receiver, remote & wall mount cradle. Warranty: 2 year from date of purchase* (see Fan Product Page for part numbers)

Compatible Models

Revolution
Concept
Azure
Majestic
Coolah
Typhoon



Logic AC Fan Remote Kit

Logic is an AC fan replacement remote & receiver. Functions: Fan- on/off, 4 speed, and timer (1hr,2hr,3hr & 6hr). Light: On/Off, dimming and Power-on-light (POL) selector. Suitable for 80w max motor and 80w max (36w LED) lighting load. Pack includes: Receiver, remote & wall mount cradle. Warranty: 2 year from date of purchase* (see Fan Product Page for part numbers)

Compatible Models

Revolution
Concept
Azure
Majestic
Coolah
Typhoon



Replacement Remote & Receiver Attitude and Revolution AC 1 & 2 ONLY

Attitude and Revolution AC 1 & 2 ONLY Replacement remote & receiver IMCP2 Module. (Contact our sales team for more information)

Compatible Models

Attitude and
Revolution AC
1 & 2



AC Extension Rods | 26mm

26mm diameter down rod to suit HPI AC ceiling fans. Rod can be cut to desired length by installing electrician. Refer accessory matrix for product compatibility.

Colours: White, Black, Brushed Aluminium

Lengths: 91cm & 180cm
(see Fan Product Page for part numbers)

Compatible Models

Revolution
Concept



AC Extension Rods | 21mm

21mm diameter down rod to suit HPI AC ceiling fans. Rod can be cut to desired length by installing electrician. Refer accessory matrix for product compatibility.

Colours: White, Black, Brushed Aluminium

Lengths: 91cm & 180cm
(see Fan Product Page for part numbers)

Compatible Models

Azure
Majestic
Coolah
Typhoon



38° Canopy Kit

Canopy kit to allow installation of ceiling fans on a raked ceiling up to a 38° pitch. For use with 26mm extension rods only.

Colours: White, Silver, Black

(see Fan Product Page for part numbers)

Compatible Models

Revolution
Concept



T-Hook / Ceiling Rose Mount

Designed to preserve decorative ceilings, and to offer support for suspended and non-structural ceilings. Suitable for all HPI ceiling fans.

Part #: 009

Compatible Models

Azure
Concept
Majestic
Coolah
Revolution 3
Typhoon



Zellweger Noise Filters

Mains power noise filter. Most electrical systems have noise present, and this can sometimes be heard in a ceiling fan. Ripple control signals and dimmer noise may sound like buzzing in the fan, and is NOT caused by a defect in the ceiling fan. Installation may reduce the noise induced into ceiling fans by electricity providers ripple control signaling (off-peak) Ratings: 240v , 180w max load (0.75RMS)

Available in Frequencies:

Part #: 008 - 750Hz

Part #: 007 - 1050Hz

(Contact our sales team for more information)

Compatible Models

Azure
Concept
Majestic
Coolah
Revolution 3
Typhoon

AC Fan Capacitors & Mechs



Wall Capacitor
 Wall capacitor to suit AC fans.
Available in:
 1. Capacitor values 2 & 3.5uF &
 2. Capacitor values 2.5 & 4.5uF
 (see Fan Product Page for part numbers)



Wall Mech & Knob Only.
 Wall capacitor to suit AC fans.
 (Contact our sales team for more information)



Wall Mech and Wall Capacitor
 Will fit standard wall plates (not supplied)
Available in:
 Part #: W06-026 - Capacitor values 2 & 3.5uF
 Part #: W06-022 - Capacitor values 2.5 & 4.5uF
 (Contact our sales team for more information)



Motor Capacitor
 Motor capacitor to suit AC fans
Available in:
 Part #: W06-023 - 1.8uF start run motor capacitor
 Part #: W06-028 - 2.2uF start run motor capacitor
 (Contact our sales team for more information)



Knob Only (Round Etched) Suit old Mechs
 Part #: W06-025
 (Contact our sales team for more information)



Knob Only (Etched) Suit New Mech
 Part #: W06-027
 (Contact our sales team for more information)



Replacement Diffusers
 Eclipse Replacement Glass Only.
 Intercept E27 Replacement Glass Diffuser Only.
 Intercept LED Replacement Acrylic Diffuser Only.

WARRANTY & SERVICE

- As stated “our” “us” “we” or “Seller” refers to Hunter Pacific International and its affiliates.
- By purchasing Hunter Pacific International products and by using the Hunter Pacific Website www.hunterpacific.com.au you are agreeing to these terms and conditions.
- Manufacturer’s warranty covers defects in the product only. It does not cover defects within the fan installation or improper maintenance. This warranty covers Australia only.
- Warranty periods begin from the date of purchase from an authorised reseller or dealer.
- Warranty on builder supplied and installed fans commences when fans are delivered to the builder or contractor (which generally preceded hand over of the dwelling). Warranty Periods are as follows:

CEILING FANS, LIGHTS & REMOTE WARRANTY PERIODS:

Hunter Pacific International AC and DC fan range (purchased on or after 1st July 2023)

7 Year Warranty including:

MOTOR AND MECHANICAL PARTS WARRANTY

- 3 years in-home warranty on mechanical parts and the motor, excluding cosmetic issues and corrosion (unless reported in the first 3 months).
- 4 years additional parts warranty on the electric motor only

ELECTRONIC PARTS WARRANTY

- 2 years in-home warranty on all DC electronic components such as control modules, remote control systems, lighting and accessory wall control.

MODULE PARTS WARRANTY

- 2 years replacement warranty on all DC module components such as HPI Pixie Module or WiFi Module.
- 1 year warranty applies when fan or relevant part is used in any non-domestic applications.

AC Remote controls & Accessories: Purchased on or after 1st July 2023:

2 Year Warranty on Konetik / Logic remote control systems including:

- 1 year In- home Warranty
- 1 year Replacement Parts only Warranty
- All non-integrated Hunter Pacific light kits & AC Remote control systems are separately purchased accessories for AC Ceiling Fans and as such are covered by our accessory parts warranty for 12 months from date of purchase.

- 1 year warranty applies when fan or relevant part is used in any non-domestic applications.

Hunter Pacific International AC and DC fan range (purchased on or before 30th June 2023)

6 Year Warranty including:

MOTOR AND MECHANICAL PARTS WARRANTY

- 3 years in-home warranty on mechanical parts and the motor, excluding cosmetic issues and corrosion (unless reported in the first 3 months).
- 3 years additional parts warranty on the electric motor only

ELECTRONIC PARTS WARRANTY

- 2 years in-home warranty on all DC electronic components such as control modules, remote control systems, lighting and accessory wall control.

MODULE PARTS WARRANTY

- 2 years replacement warranty on all DC module components such as HPI Pixie Module or WiFi Module.

AC Remote controls & Accessories: (purchased on or before 30th June 2023):

2 Year Warranty on Konetik / Logic remote control systems including:

- 1 year In- home Warranty
- 1 year Replacement Parts only Warranty
- All non-integrated Hunter Pacific light kits & AC Remote control systems are separately purchased accessories for AC Ceiling Fans and as such are covered by our accessory parts warranty for 12 months from date of purchase.
- 1 year warranty applies when fan or relevant part is used in any non-domestic applications.

Hunter Pacific International AC and DC fan range Purchased on or before 31st October 2019:

- 2 year In-home Warranty on all Hunter Pacific International AC & DC Ceiling Fans, including with fully integrated light combinations. This warranty excludes cosmetic & corrosion damage (unless reported in the first 3 months).
- 3 year Parts Only Warranty on the electric motor.
- All non-integrated Hunter Pacific light kits, AC & DC Remote control systems are separately purchased accessories for AC & DC Ceiling Fans and as such are covered by our accessory parts warranty for 12 months from date of purchase.

- 1 year warranty applies when fan or relevant part is used in any non-domestic applications.

All Hunter Pacific International Accessory Light kits have 12 months warranty.

This statement is required by the Australian Consumer Law 2010: "Our goods come with guarantees that cannot be excluded under Australia Consumer Law. You are entitled to a replacement or refund for a major failure and for compensation for any other reasonably foreseeable loss or damage. You are also entitled to have the goods repaired or replaced if the goods fail to be of acceptable quality and the failure does not amount to a major failure.

MISSING ITEMS:

In the case of missing or damaged parts the customer or the electrician should contact the Technical Service Department on 1300 360 280 before installation.

NEW INSTALLATION:

In the case a new fan is not working or is excessively noisy the customer or the electrician should contact the service line on 1300 360 280 before the electrician leaves the site.

CEILING FANS

Please select your fan carefully and discuss your needs with a sales professional who knows your local area.

Fans that do not perform as expected and which are not faulty cannot be replaced or exchanged under manufacturer's warranty. Proper performance relies on the right fan being correctly installed in the optimum location. Limitations apply regarding corrosion.

BLADES

Blades are a weighted set. Mixing of blades which have been weighed and graded prior to packing may result in blades being more than 5g difference in weight and this will make the fan wobble. A service call fee will be charged to sort blades that have been mixed up. Blades are warranted on a Parts Only basis as they can be removed and replaced by the customer. You do not require a licensed electrician to install blades. Please advise our warranty department if extenuating circumstances apply.

REMOTE CONTROLS

Remote controls consist of two pieces a Handpiece and a Receiver. Handpieces are supplied Parts Only Warranty direct to customer. The Receivers are covered under the remote control/ accessory warranty for that fan.

Ceiling fan remote controls are for use only with ceiling fans and lights that are attached to the ceiling fan. There is no warranty if connected to other products.

Reprogramming of remote controls is not covered under warranty and a call out fee will apply if our service agent attends for this issue.

Batteries if supplied are done so as a complimentary (free) item only and are not covered under warranty. Failure of the remote control system to operate due to flat battery in the handset is not covered under warranty.

Please note carefully – if the product is found to be free of defects or the product is not functioning properly as a result of faulty installation or lack of maintenance Hunter Pacific International PTY LTD or its service agent reserve the right to charge a service fee to rectify the reported problem.

Damage caused by incorrect installation, Force-Majeure, electrical surges, lighting, power grid fluctuations, water or alternative power supply sources, (such as solar inverters etc.) will not be covered under warranty. This warranty does not cover the product being incorrectly used, physically abused, accidentally damaged or not serviced in accordance to the maintenance instructions.

This product warranty excludes to the fullest extent possible under law any liability for consequential loss or damages directly or indirectly resulting from a faulty ceiling fan or accessory product that is installed or maintained according to the installation instructions. When installed, maintained and used according to the instructions such loss or damage can be easily avoided or minimized.

Signals (Ripple Control) sent through the power grid by the electricity supplier for the control of other devices may cause intermittent noises or flickering of lights and do not occur as a result of a fault in the fan.

When Ceiling fans are installed in a location requiring special equipment (such as scaffolding or scissor lifts) the cost of providing such equipment must be borne by the site owner in case of maintenance and repair and such costs should be considered when deciding on fan placement.

WHS regulations may prohibit technicians from attempting to access products installed above a certain height without special measures in place. It is the site owners responsibility to provide those measures at their own costs or an on-site/in-home warranty service may be refused. The product will need to be removed and reinstalled at the owners expense.

Hunter Pacific International must be contacted and approve any warranty work prior to any such work being carried out.

When a product is installed outside regions where Hunter Pacific International service agents are available, Hunter Pacific International will reimburse the owner the standard service fee.

This standard fee is based on a nationally averaged charge for performing this type of work and includes a travelling allowance of up to 25 kilometres.

Traveling costs incurred by a Hunter Pacific service agent beyond 25 kilometres from authorised depots must be covered by the site owner.

When submitting a warranty claim please attach the purchase receipt and installing electricians details.

IN-HOME WARRANTY

Hunter Pacific International offers an In-Home Warranty for fans installed within the coverage of our network

of service agents, in cases where the product fails due to manufacturing fault or defective materials. This warranty does not cover installation faults, house wiring faults, wear and tear, loose blades, or fittings, accidental damage to the fan or surrounds of any kind. Limitations apply to corrosion. Refer to Eligibility for further details.

In-Home Warranty will only cover access to fans lights and remote controls suspended from ordinary ceilings with ceiling heights less than 3m or where a service person does not require a ladder greater than 1.8m to attend.

When products are installed in a location requiring special access equipment (such as scaffolding or scissor lifts, etc) the cost of providing, installing, and operating special equipment must be borne by the site owner. The need for or use of such equipment must be stated when logging a warranty claim.

Hunter Pacific International and its Service Agents reserve the right to refuse service to products which they deem unsafe to access or where it is not practical for them to do so. In these circumstances the product is still covered by warranty against defects, but it will have to be removed and reinstalled at the owner or occupiers' expense by persons trained and equipped to deal with the access requirements and who holds the relevant electrical licence.

When a product is installed outside areas where Hunter Pacific International Service Agents are available, Hunter Pacific International will reimburse the owner for using their own electrician by direct deposit, the average cost of a nationally charged service fee. This standard fee is based on a nationally charged average for performing this type of work and includes a travelling allowance of up to 25kms.

Travelling costs incurred by a Hunter Pacific International Service Agent beyond 25kms from authorised depots will not be covered under warranty. This cost must be covered by the customer.

Conditions apply, and any routine/ warranty service must be arranged with Hunter Pacific International Warranty Department before calling your own electrician.

When installed as recommended by Hunter Pacific International (via a double pole isolation switch) a fan or remote control can be switched off at the wall switch in case of a fault. If the product cannot be turned off or reprogrammed because an isolation switch is not fitted costs involved in disconnecting the product while awaiting warranty service, or the cost to reprogram the remote are borne solely by the customer.

PARTS ONLY WARRANTY

Hunter Pacific International will supply parts only, shipped to the customer or the customers nominated electrician. Conditions apply, please note labour associated with the installation of these parts or associated electrical costs of removing and reinstalling the product to repair is borne by the customer.

This additional warranty offer excludes cosmetic issues which are not covered under warranty unless readily apparent when the fan is unpacked or first installed, and

Hunter Pacific International is notified within 14 business days from date of purchase.

ELIGIBILITY

Fans and fixed wiring products must only be installed by persons who are appropriately licensed by the applicable state regulatory body. Therefore, to protect our repair personnel, In-Home Warranty will not be provided if the products have been installed by unlicensed persons.

Product, installing electrician details and proof of purchase must be presented to claim In-Home Warranty. Service call charges may occur for incorrect information provided.

Different periods and warranty conditions apply to discontinued user serviceable products. Accessory remote controls not listed on page 1 and accessory light kits are covered by 12 months warranty from the date of purchase.

Damage or wear caused to the fan (or other items) due to installation in locations that do not have protection from wind or other elements is not covered under warranty. Rust or corrosion must be reported to Hunter Pacific International within 3 months of installation to be covered under warranty.

Damages caused by incorrect installation, force majeure, electrical surges, lightning, power grid fluctuations, water or by connection to alternative power supply sources (such as solar inverters etc) are not eligible for warranty repair.

Ripple Signals sent through the power grid by the electrical supplier for the control of off-peak hot water, streetlights, and other devices may cause an intermittent humming noise or flickering of lights in your electrical appliances such as your ceiling fan. Ripple Filters are available in Australia at the customers expense. These noises do not occur as a result of a faulty fan and Ripple Signal is not covered under warranty.

If the goods are found to be free of defects or the product is not functioning as a result of faulty installation or lack of maintenance, then Hunter Pacific International reserves the right to charge the customer a service call fee.

To allow the quickest repair or diagnosis it is strongly recommended not to remove the fan from the ceiling. Except in cases where the fan is clearly not working straight from the package or is damaged it is strongly recommended not to return to the supplier. Hunter Pacific International Warranty is only available for Hunter Pacific International products that are purchased and installed with in Australia.

Please contact our warranty line on 1300 360 280 for further advice.



FAN SELECTION

CHOOSING THE RIGHT FAN

Ceiling fans are not all alike and Hunter Pacific designs its products to perform well in the majority of domestic and commercial environments. The amount of airflow produced by a ceiling fan will depend on where it is installed and the ability of the fan to draw air into its sweep area will govern how much air can be moved. The use of extension down rods will ensure the fan can be located clear of pitched ceilings, clear of obstructions and at optimum height to get maximum benefits of the airflow.

Ceiling fans circulate air within a room and provide a cooling effect through the action of air moving over the skin. In winter ceiling fans redistribute warm air that gathers at the ceiling, pushing it down and through the room.

Remote controls are convenient and may be a suitable alternative when control wiring cannot be easily fitted. Remote controls come in two parts, a receiver module located in the fan and a hand piece. The receiver module is wired across the supply voltage and like all electronic devices is susceptible to damage from voltage spikes from storms or excessive voltage from uncoordinated power systems. Hence a wall switch must be fitted to allow the power to be turned off to prolong receiver life and to comply with Australian Standards.

Hunter Pacific offers a comprehensive warranty that exceeds Australian Consumer Law requirements. It should be noted however ceiling fans, especially those outdoors, must be maintained by regular cleaning and periodic inspection of blades, screws and mounting hardware. Incorrect installation, lack of maintenance, damage and electricity supply problems (noise, surges) are not covered by warranty. Airflow figures are those obtained by testing under laboratory conditions, using the USA Energy Star test method. The actual airflow will depend on the location, environment and configuration of the room the fan is within.

Fan Size Guide:

Choosing the right fan depends on many factors and it is best to start deciding what you want the fan to do. Ceiling fans that provide high airflow for outdoor spaces are less suited for bedrooms, where a quiet, gentle breeze is desired for sleeping under. Ceiling fans with plastic and timber blades are safer in bedrooms and public spaces, run quieter and produce good airflow. Steel blade fans have the power to move large quantities of air quickly and are suited to large areas.

Hunter Pacific ceiling fans are designed to enhance modern decors and the fan should be integrated into the theme of the room. The shape of a room and its ceiling may require extension down rods to lower the fan to the recommended height above floor level or to avoid crowding the fan with 'dead air' spaces above and beside it.

Larger fans can be operated at slower speeds than smaller fans to produce the same airflow but with less noise. Likewise two or more fans in a large room are better than one fan running continuously at high speed.

FAN SIZE GUIDE

The Fan Size Guide below shows the largest room sizes where a single fan can be used. Depending on the building location and design more than one fan may be required for satisfactory performance.

AREA		SIZE
32m ²		BLADE SWEEP 1520mm (60")
24m ²		BLADE SWEEP 1420mm (56")
18m ²		BLADE SWEEP 1320mm (52")
12m ²		BLADE SWEEP 1220mm (48")



Sales: 1300 369 828
Service: 1300 360 280
sales@hunterpacific.com.au
www.hunterpacific.com.au