

Frigidaire



Top Freezer Refrigerator

20.4 Cu. Ft. Top Freezer Refrigerator

FFHT2033VS, FFHT2033VE, FFHT2033VP

Available Colors : Stainless Steel, Ebony Black, Pearl White

Version : 04/21

Refrigerator

Crisper Color	Clear
Dairy Bin	Yes
Door Bin Color	White
Humidity Controls	Automatic
Interior Lighting	LED
Number of Fixed Gallon Door Bins	1
Number of Other Door Bins	3
Number of Pull Out Shelves	2
Number of Crispers	2

Freezer

Baskets / Bins Color	Clear
Shelf Material	Wire
Number of Fixed Door Bins	2
Number of Fixed Shelves	1

Ice Maker

Ice Maker	No
-----------	----

Controls

Digital Display	No
-----------------	----

Exterior

Door Stops	Yes
Front Rollers	No
Rear Rollers	Yes

Dimensions and Volume

Height With Hinge	69"
Height Without Hinge	68 1/4"
Width	29 5/8"
Width of Cabinet	29 5/8"
Depth of Cabinet	28 1/2"
Depth With Door	31 3/4"
Depth With Door 90° Open	60"

Depth With Door and Handle	34 1/8"
Fresh Food Capacity	15.3 Cu. Ft.
Freezer Capacity	5.1 Cu. Ft.
Total Capacity	20.4 Cu. Ft.

Electrical Specifications

Minimum Circuit Required	15 Amps
--------------------------	---------

General Specifications

Annual Energy	387 kWh
Condenser Type	Dynamic
Product Weight	209 lbs
Prop 65 Label	No
Refrigerant Type	R-134
Warranty - Labor	1 Year
Warranty - Parts	1 Year

Certifications and Approvals

ADA Compliant	No
---------------	----

Performance Certifications and Approvals

ENERGY STAR Certified	Yes
-----------------------	-----

Safety Certifications and Approvals

CSA Listed	Yes
UL Listed	Yes
ETL Listed	No
NSF Certified	No

Note: For planning purposes only. Always consult local and national electric, gas and plumbing codes.

Refer to Product Installation Guide for detailed installation instructions on the web at frigidaire.com / frigidaire.ca

Specifications subject to change. Accessories information available on the web at frigidaire.com / frigidaire.ca

USA • 10200 David Taylor Drive • Charlotte, NC 28262 • 1-800-FRIGIDAIRE • frigidaire.com

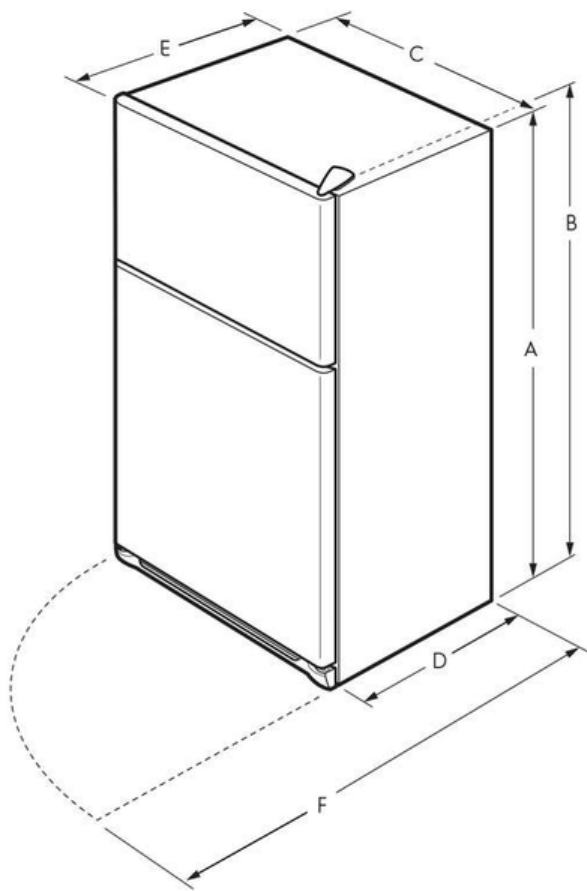
CANADA • 5855 Terry Fox Way • Mississauga, ON L5V 3E4 • 1-800-265-8352 • frigidaire.ca

Frigidaire

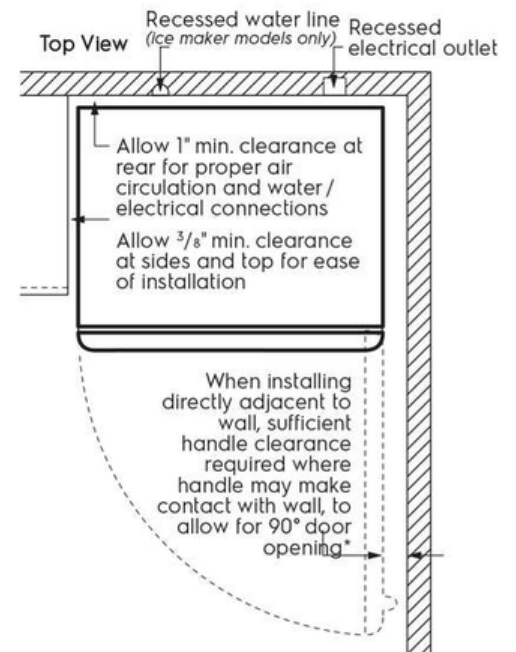
20.4 Cu. Ft. Top Freezer Refrigerator

FFHT2033VS, FFHT2033VE, FFHT2033VP

Version : 04/21



A	59 ⁷ / ₈ "
B	60 ¹ / ₂ "
C	27 ⁵ / ₈ "
D	25 ¹ / ₄ "
E	29 ³ / ₈ "
F	53 ⁵ / ₈ "



* When installing refrigerator adjacent to wall, cabinet or other appliance that extends beyond front edge of unit, 20" minimum clearance recommended to allow for optimum 140° door swing, providing complete crisper access and removal. (Absolute 3" minimum clearance will ONLY allow for 90° door swing which will provide limited crisper access with restricted removal.)

Note: For planning purposes only. Always consult local and national electric, gas and plumbing codes.

Refer to Product Installation Guide for detailed installation instructions on the web at frigidaire.com / frigidaire.ca

Specifications subject to change. Accessories information available on the web at frigidaire.com / frigidaire.ca

USA • 10200 David Taylor Drive • Charlotte, NC 28262 • 1-800-FRIGIDAIRE • frigidaire.com

CANADA • 5855 Terry Fox Way • Mississauga, ON L5V 3E4 • 1-800-265-8352 • frigidaire.ca