

# LED Flush Mounts

**MODEL 2104 | 2106 | 2109 | 2112**



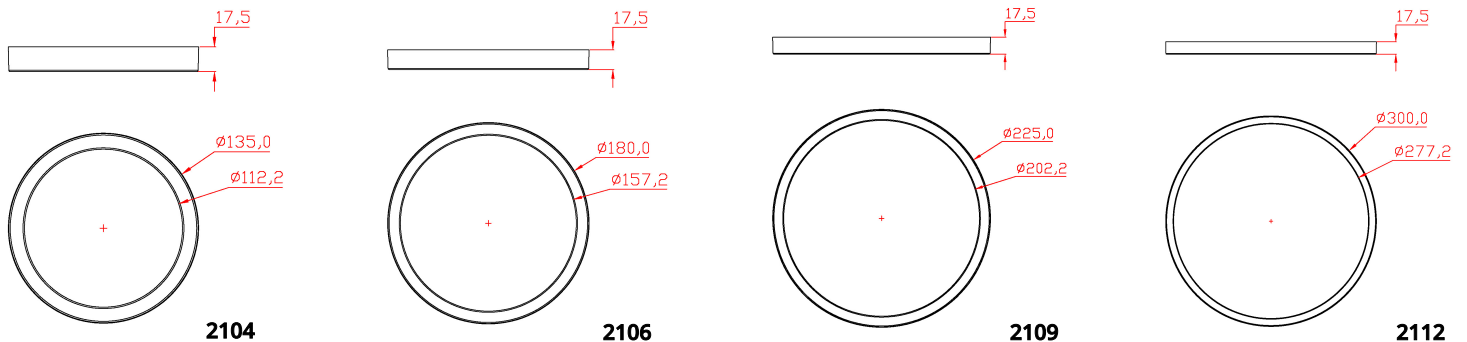
## HIGHLIGHTS

- Super slim (11mm) frame design LED Flush Mounts available in sizes 4", 6", 9" and 12"
- Available in 3000K(warm white) & 5000K(cool white)
- Multiple installation possible for surface mount and retrofit
- Can be installed to J-Box and Recessed lights

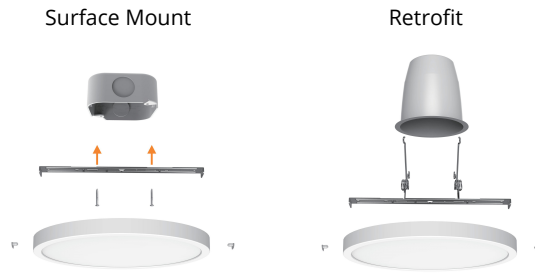
## SPECIFICATIONS

Model	2104	2106	2109	2112
Wattage	8W	14W	20W	25W
Voltage	AC120V			
Lumens	480lm	960lm	1400lm	2000lm
Beam Angle	120°			
Lifetime	50000 Hours			
CRI	80			
Dimmable	Triac			
Rating	IC Rated   Indoor Use   For Damp Location			
Grade of Protection	-20°C to +40°C			
Applications	Corridors   Lobbies   Kitchens   Bedrooms   Bathrooms   Balconies			
Color Temperature	3000K (warm white)   5000K (cool white)			
Operating Temperature	-20°C to +40°C			
Warranty	5 Years			
Size	Ø4x0.6	Ø6x0.6	Ø9x0.6	Ø12x0.6

## DIMENSIONS

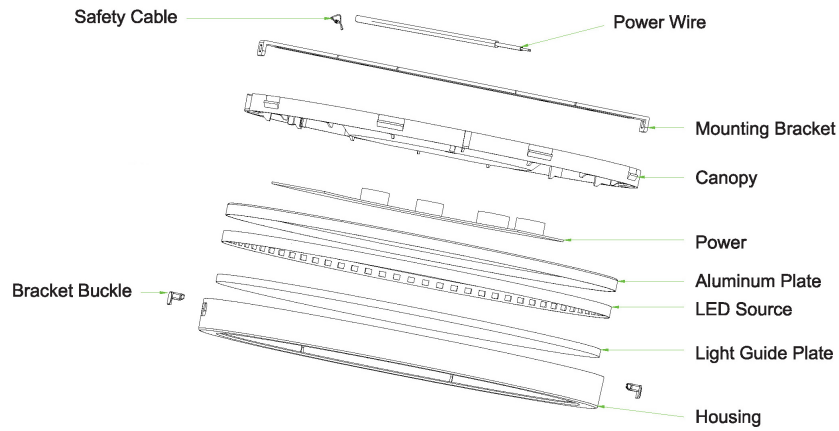


## DIMENSIONS

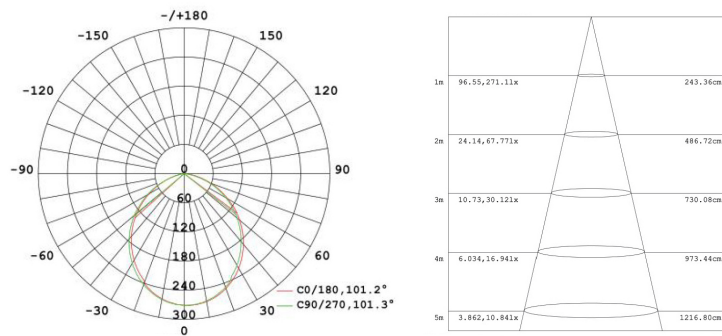


Multiple Installation possible

## EXPLOSIVE VIEW & TESTING REPORT



## Light Distribution Curve



ORTECH reserves the right to modify at any time, without notice, any or all of our product's features, designs, components and specifications to meet market changes.

Reference	QTY.	Remarks	Project:
			Location:
			Architect:
			Engineer:
			Contractor:
			Submitted by:
			Date: