

WF53BB8700

SAMSUNG

Bespoke 6.1 cu. ft. Ultra Capacity Front Load Washer with Super Speed Wash and AI Smart Dial



Available Colours



Features

- Bespoke Design
- 6.1 cu. ft. Ultra Capacity
- Super Speed Wash
- AI Smart Dial
- MultiControl™
- ENERGY STAR® Most Efficient
- Shallow Closet-Depth Fit¹
- Flexible Installation
- Wi-Fi Connectivity²
- Steam
- Self Clean+
- Premium Tempered Glass Door
- Vibration Reduction Technology+
- Swirl+ Drum Interior
- Internal Drum Light
- 1200 RPM Maximum Spin Speed
- Direct Drive Motor
- 24 Total Washing Cycles
- 14 Options

Specifications

24 Total Washing Cycles:

Normal, Heavy Duty, Bedding, Permanent Press, Delicates, Activewear, Wool, Towels, Eco Cold, Rinse + Spin, Self Clean+, Small Load, Colours, Spin Only, Outdoor, Denim, Super Speed, Steam Sanitize, Steam Allergen, Steam Normal, Power Steam, Steam Whites, Steam Bulky, Power Rinse

14 Additional Washing Options:

Presoak, Extra Rinse, My Cycles, Delay End, Smart Control, Super Speed, Drum Light, Child Lock, AI Pattern, Alarm, Calibration, Wi-Fi, Language, Factory Reset

5 Temperature Settings:

Extra Hot, Hot, Warm, Cold, Tap Cold

7 Spin Settings:

Extra High, High, Medium, Low, Extra Low, No Spin, No Drain

5 Soil Settings:

Extra Heavy, Heavy, Normal, Light, Extra Light

Warranty

One (1) Year Parts and Labour
Ten (10) Years DD Motor (Part Only)

Product Dimensions & Weight (WxHxD)

Dimensions: 27" x 38³/₄" x 34¹/₂"
Weight: 224.9 lbs

Shipping Dimensions & Weight (WxHxD)

Dimensions: 29³/₈" x 42¹⁵/₁₆" x 36¹/₄"
Weight: 231.5 lbs

Convenience

- Child Lock
- Dispenser Trays: Main Wash, Softener, Bleach

Ratings



CEE Tier 3
IMEF = 3.1
IWF = 2.9
103 kWh/yr

Electrical Requirements

120 V / 60 Hz
15 Amps

| Washer | Model # | UPC Code |
|-------------------------|--------------|--------------|
| Stainless Steel | WF53BB8700AT | 887276652238 |
| Black Stainless Steel | WF53BB8700AV | 887276652245 |
| Matching Electric Dryer | | |
| Stainless Steel | DVE53BB8700T | 887276660103 |
| Black Stainless Steel | DVE53BB8700V | 887276660110 |

| Optional Accessories | Model # | UPC Code |
|--|----------|--------------|
| Stainless Steel Pedestal | WE502NT | 887276665283 |
| Black Stainless Steel Pedestal | WE502NV | 887276665290 |
| Black Stainless Steel Riser | WE272NV | 887276197630 |
| Stainless Steel Bespoke Stacking and MultiControl™ Combo Kit | SKK-9MCT | 887276667379 |
| Black Stainless Steel Bespoke Stacking and MultiControl™ Combo Kit | SKK-9MCV | 887276667386 |

¹ Designed to fit a 38" installation depth.

² Requires wireless network, Samsung account and Samsung SmartThings App. The Samsung SmartThings App supports Android OS 4.0 (ICS) or later which is optimized for Samsung smartphones (Galaxy S and Galaxy Note series). This app also supports iOS 7 or later for iPhone models. Samsung SmartThings App available in App Store and Play Store.

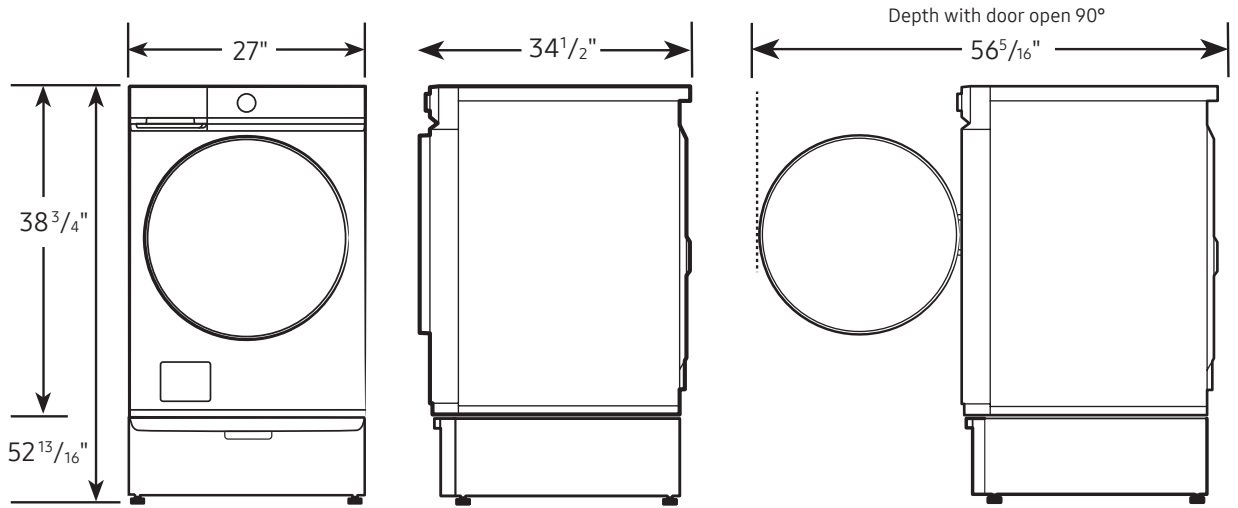
WF53BB8700



Bespoke 6.1 cu. ft. Ultra Capacity Front Load Washer with Super Speed Wash and AI Smart Dial

Dimensions

Required dimensions for installation with pedestal:

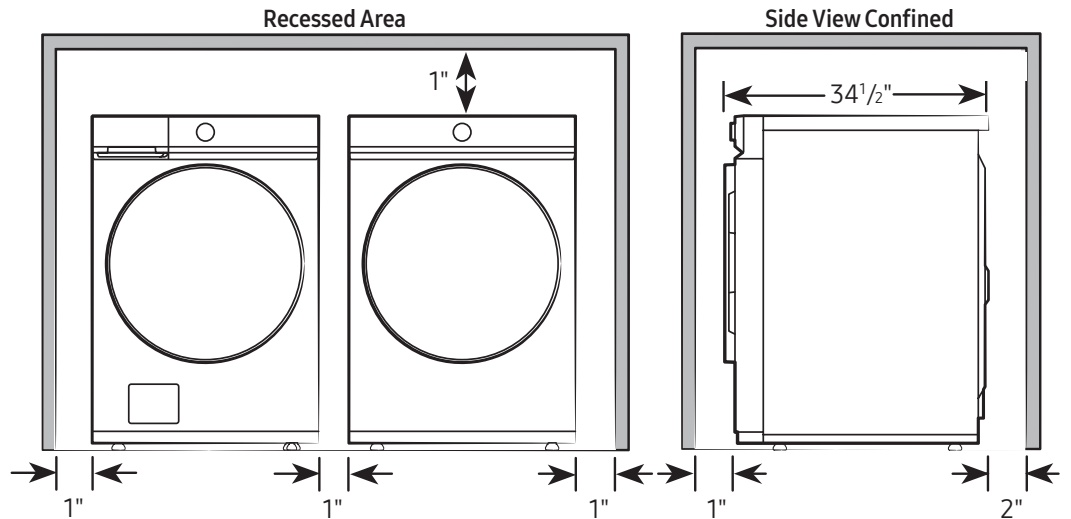


Installation Specifications – Side-by-Side

If the washer and dryer are installed together or the dryer alone, the closet front must have two unobstructed air openings for a combined minimum total area of 72-inch². Your washer alone does not require a specific air opening.

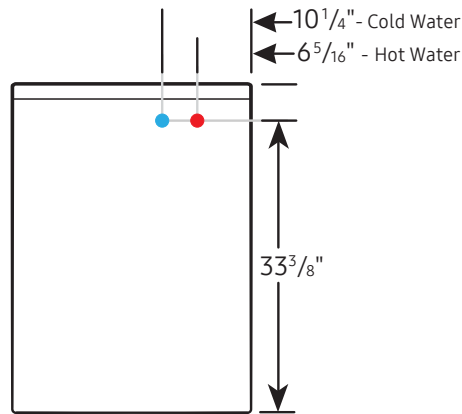
Alcove or closet installation

Minimum clearance for closet and alcove installations:



Connection Dimensions

Back view of washer



LEGEND:

- Cold Water Connection
- Hot Water Connection

Actual colour may vary. Design, specifications and colour availability are subject to change without notice. Non-metric weights and measurements are approximate.

© 2022 Samsung Electronics Canada Inc. All rights reserved. Samsung is a registered trademark of Samsung Electronics Co., Ltd., used with permission.

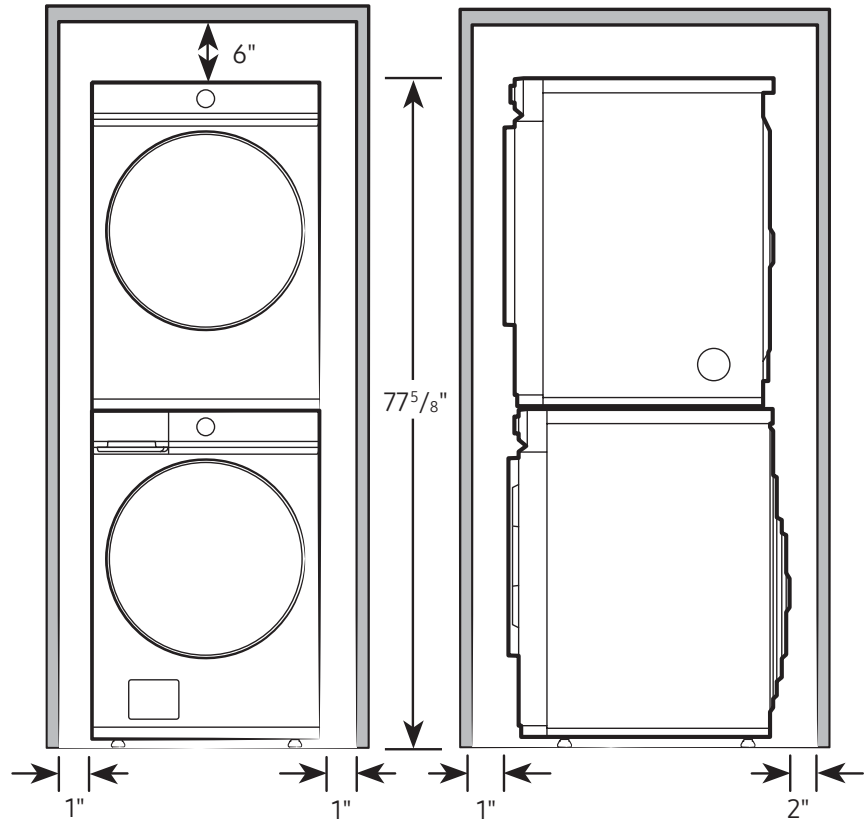
WF53BB8700

SAMSUNG

Bespoke 6.1 cu. ft. Ultra Capacity Front Load Washer with Super Speed Wash and AI Smart Dial

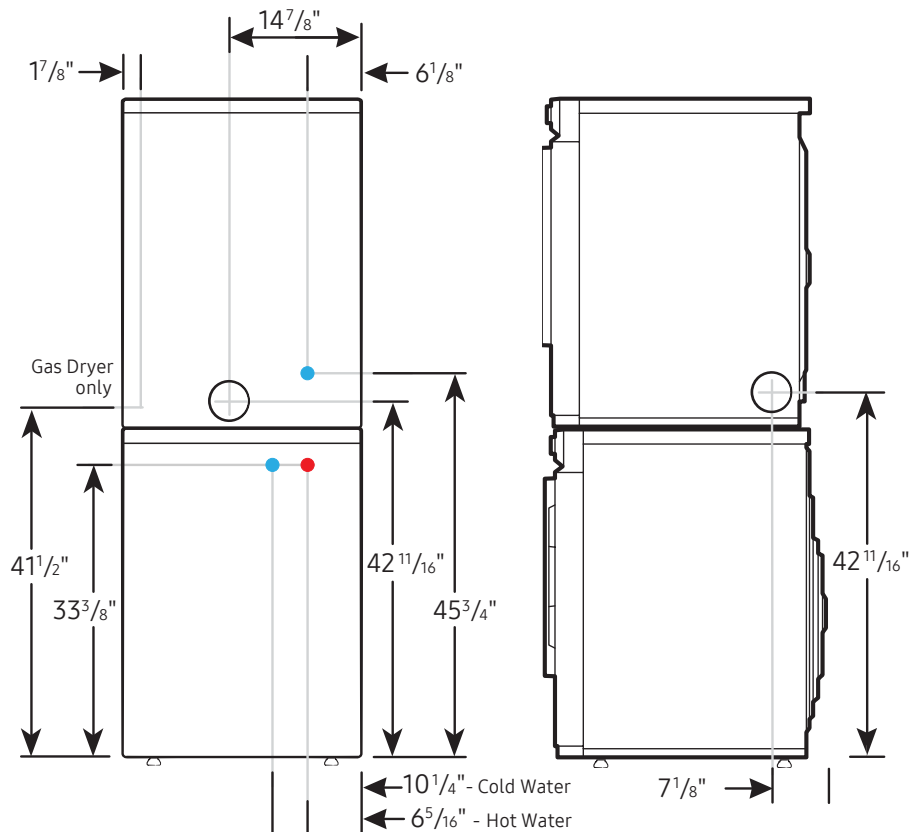
Installation Specifications – Stacked Pair

Clearances indicated are for stacked pairs. The closet front must have two unobstructed air openings for a combined minimum total area of 72-inch².



Connection Dimensions

Back and side views of stacked pair



- LEGEND:
- Cold Water Connection
 - Hot Water Connection

Actual colour may vary. Design, specifications and colour availability are subject to change without notice. Non-metric weights and measurements are approximate.

© 2022 Samsung Electronics Canada Inc. All rights reserved. Samsung is a registered trademark of Samsung Electronics Co., Ltd., used with permission.