

# Electrolux

**ELECTROLUX HOME PRODUCTS PTY LTD**

ABN 51 004 762 341

Technical Publication N° RE1091

Issue: 1

Date: 06 / 20



## PARTS LIST

**WESTINGHOUSE**

**BASIC ELECTRONIC**

**H series**

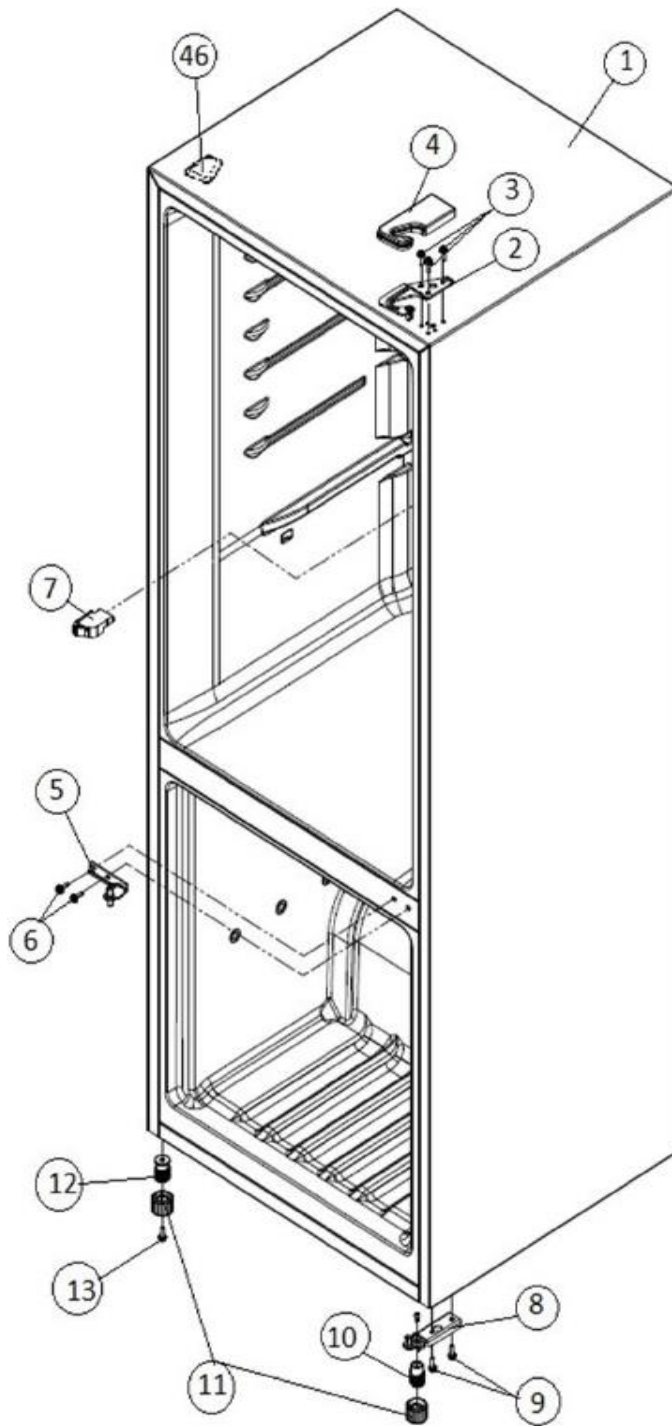
**BOTTOM MOUNT  
REFRIGERATOR / FREEZER**



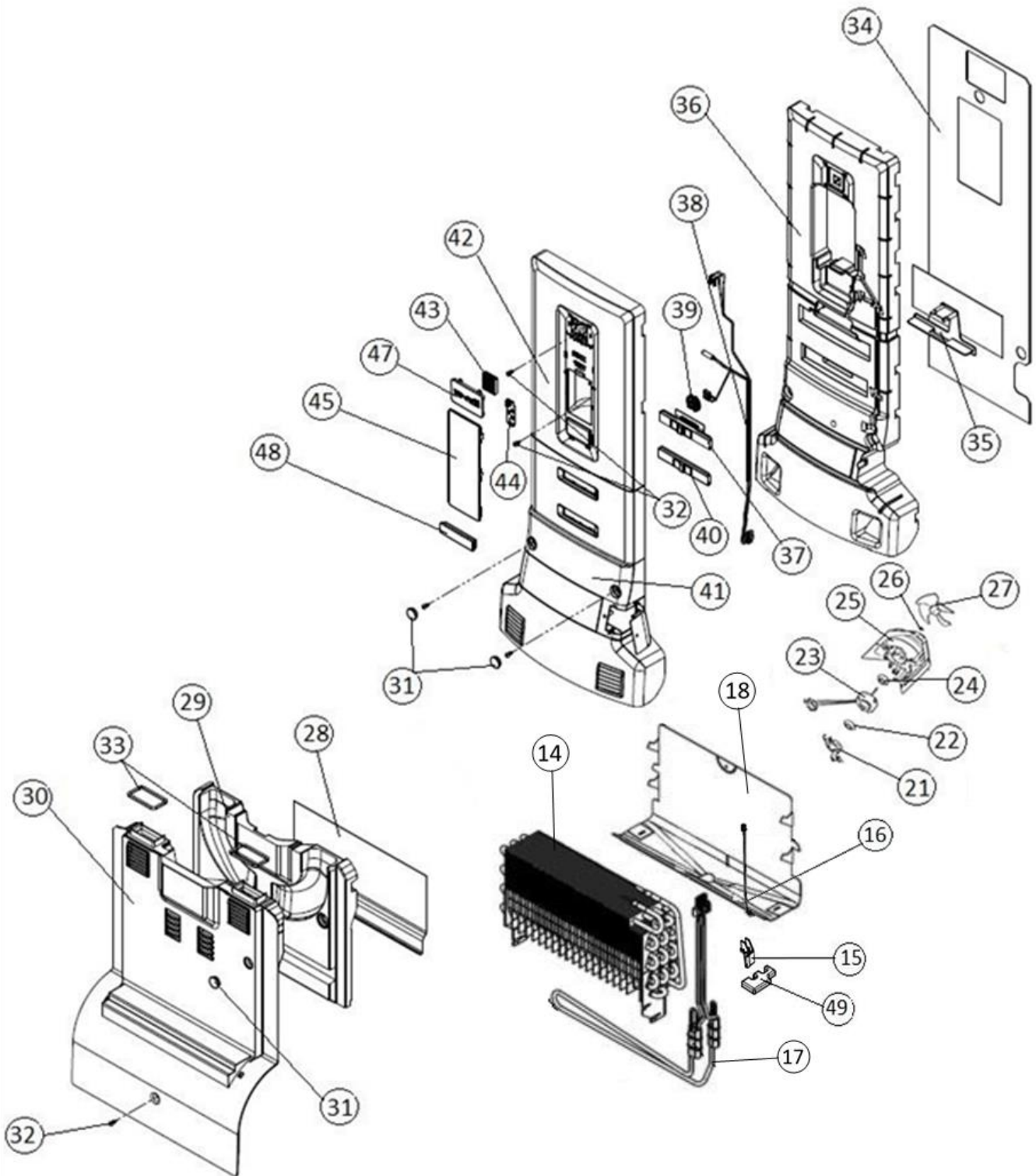
### MODEL

WBB3400AH	PNC 925053188
WBB3400WH	PNC 925053187
WBB3700AH	PNC 925053190
WBB3700WH	PNC 925053189

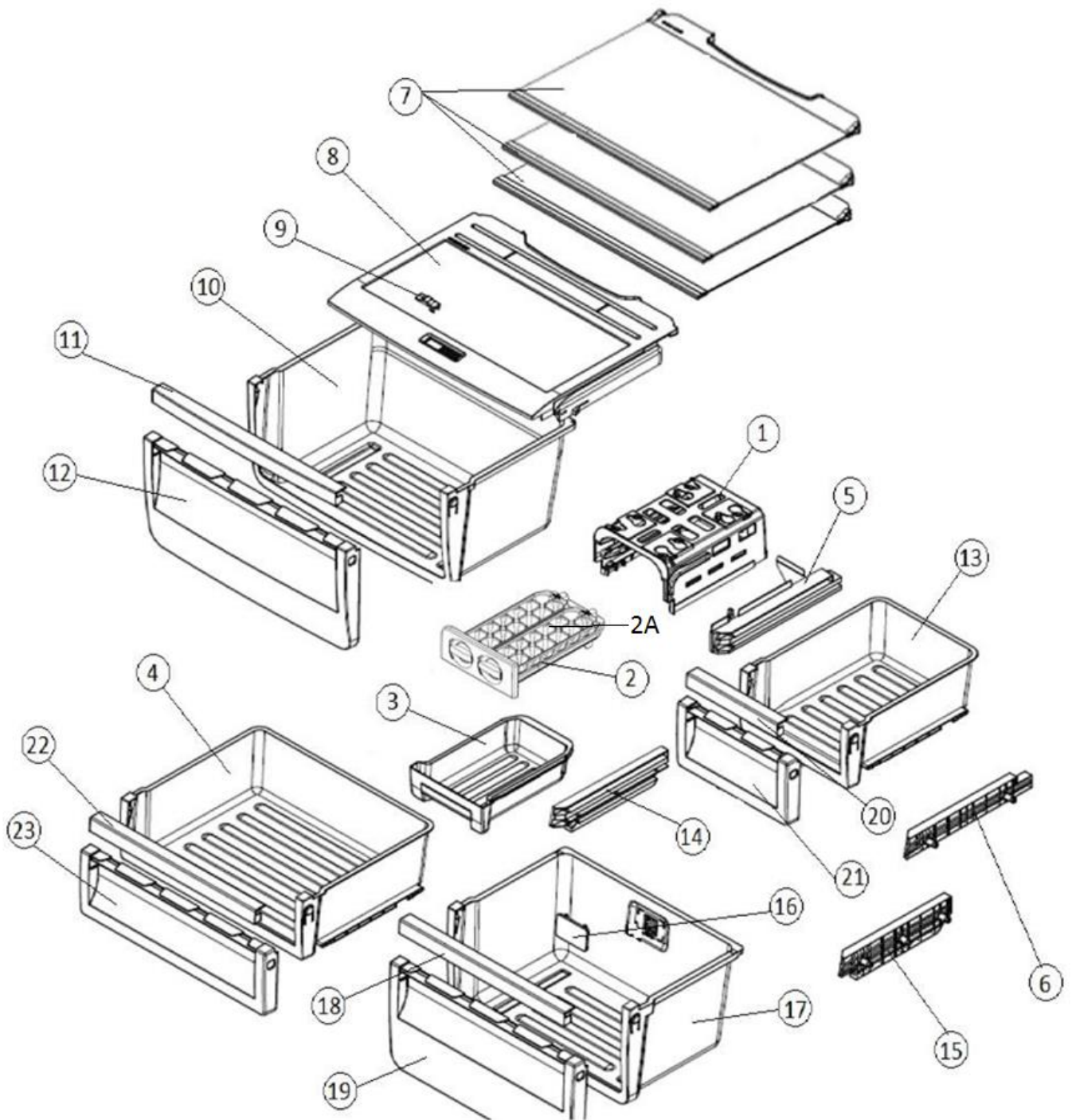
CABINET ASSEMBLY 1 / 2



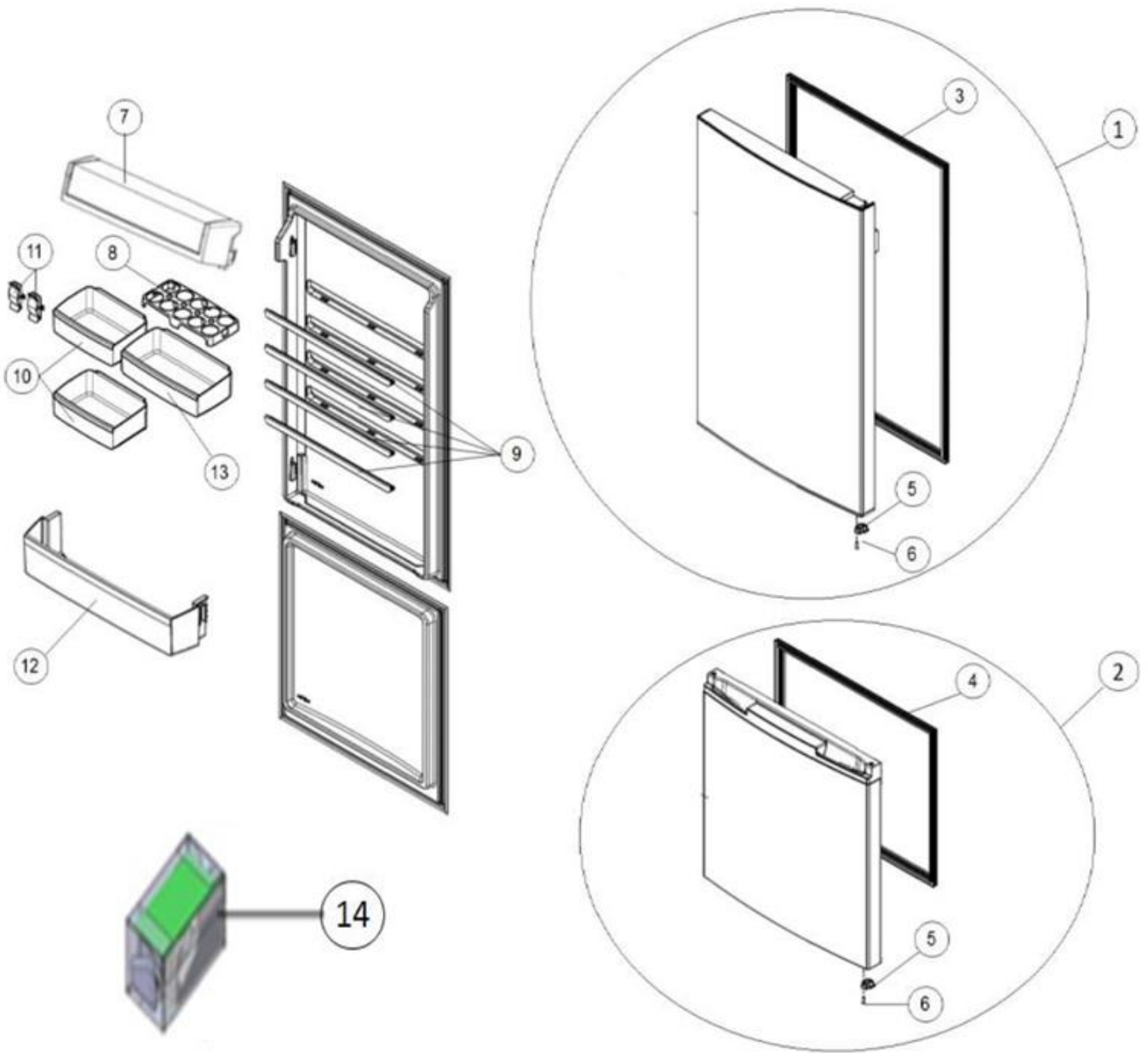
# CABINET ASSEMBLY 2 / 2



# CABINET INTERIOR



# DOOR ASSEMBLY



# SYSTEM COMPARTMENT ASSEMBLY

