

# JTD3000DN/EN/SN

## GE® 30" Smart Built-In Self-Clean Double Wall Oven with Never Scrub Racks

### DIMENSIONS AND INSTALLATION INFORMATION

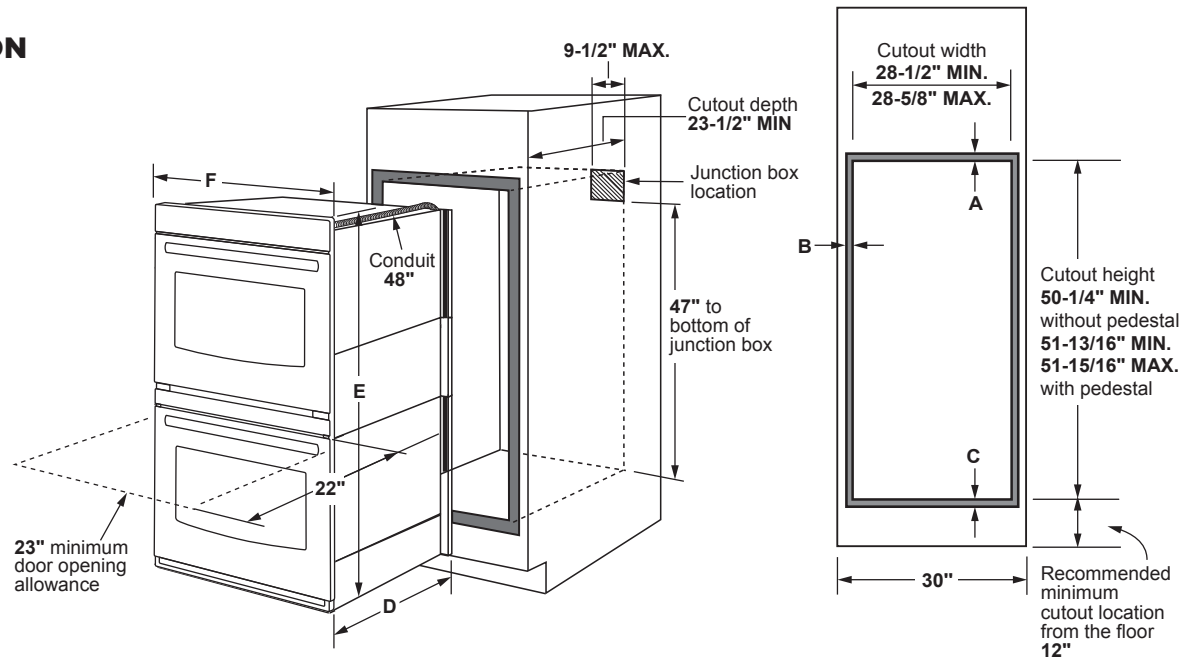
**NOTE:** Wall coverings, countertops and cabinets surrounding the wall oven must be able to withstand a temperature of up to 200°F (94°C).

**NOTE:** If the cabinet in which the wall oven is installed does not have a solid bottom, two braces or runners must be installed to support the weight of the oven. The runners and braces must support up to 400 lbs (181 kg).

**NOTE:** Door handle protrudes 3" from door face. Cabinets and drawers on adjacent 45° and 90° walls should be placed to avoid interference with the handle.

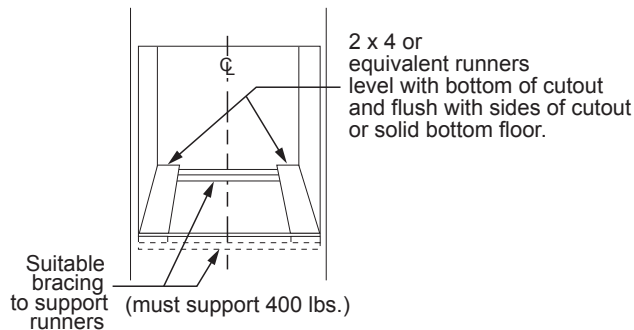
**ATTENTION INSTALLER:** Electric wall ovens are NOT approved for installation with a plug and receptacle. They must be hard wired into an approved junction box.

**IMPORTANT:** Before installing, consult installation instructions packed with product for current dimensional data.



Dimension and installation information are shown in inches.

KW RATING	
240V	8.4
208V	6.3
BREAKER SIZE	
240V	40 Amps
208V	40 Amps



JTD3000	
<b>Cabinet</b>	<b>30"</b>
A - Overlap of oven at top of cutout	<b>1"</b>
B - Overlap of oven other side of edge of cutout	<b>3/4"</b>
C - Overlap of oven at bottom of cutout	<b>1-1/4"</b>
<b>Oven</b>	
D - Install depth	<b>23-1/2"</b>
E - Overall height with trim	<b>53"</b>
F - Overall width	<b>29-3/4"</b>



For answers to your GE Profile™ or GE Appliances product questions, visit our website at [geappliances.com](http://geappliances.com) or call GE Answer Center® Service, 800.626.2000.



Listed by Underwriters Laboratories

# JTD3000DN/EN/SN

## GE® 30" Smart Built-In Self-Clean Double Wall Oven with Never Scrub Racks

### DIMENSIONS AND INSTALLATION INFORMATION

**NOTE:** 30" Double electric wall ovens are approved for installation above 27" and 30" warming drawers.

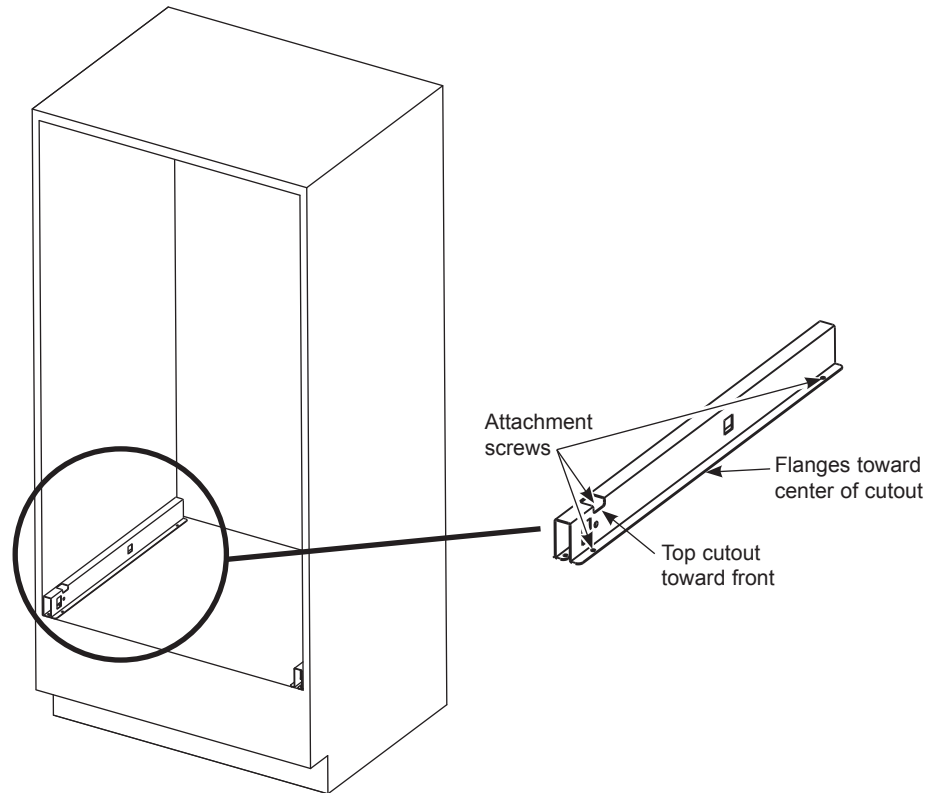
**ATTENTION INSTALLER:** Electric wall ovens are NOT approved for installation with a plug and receptacle. They must be hard wired into an approved junction box.

**IMPORTANT:** Before installing, consult installation instructions packed with ALL products for current dimensional and combination data.

**WHEN TO USE THE PEDESTAL RAILS:** When replacing an older GE Appliances 30" double wall oven with a new GE Appliances model. Cutout Height = 51-13/16" to 51-15/16". This is our traditional cutout height.

**WHEN NOT TO USE THE PEDESTAL RAILS:** When replacing a 30" double wall oven from another manufacturer (ie; Whirlpool) with a new GE Appliances model. Cutout height = 50-1/4". You will need to verify that the existing cutout matches the 50-1/4" dimension.

If the new GE Appliances 30" double wall oven is being installed into new construction (ie; not a replacement), then the recommended installation is to use the pedestal rails.



For answers to your GE Profile™ or GE Appliances product questions, visit our website at [geappliances.com](http://geappliances.com) or call GE Answer Center® Service, 800.626.2000.

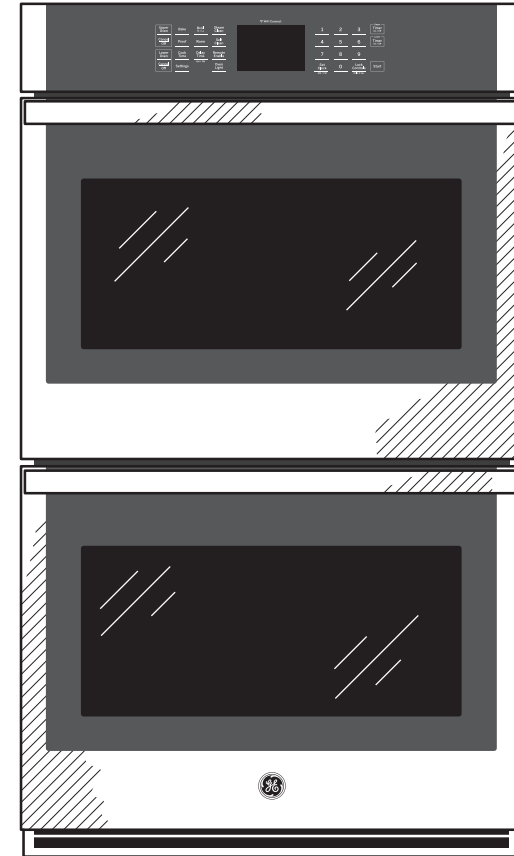
Specification Revised 1/22

# JTD3000DN/EN/SN

## GE® 30" Smart Built-In Self-Clean Double Wall Oven with Never Scrub Racks

### FEATURES AND BENEFITS

- Never-scrub, heavy-duty racks
- Easy-clean controls
- Self-clean with optional Steam Clean
- Anywhere control with remote notifications
- Scan-to-cook
- 10-pass hidden bake element
- 8-pass broil element
- Fit Guarantee
- Model JTD3000DNBB – Black
- Model JTD3000DNWW – White
- Model JTD3000ENES – Slate
- Model JTD3000SNSS – Stainless Steel



### FIT GUARANTEE

Replacing a similar wall oven from GE Appliances or another brand? GE wall ovens are guaranteed for an exact fit or GE Appliances will pay up to \$300 toward modifications.

Visit [geappliances.com](http://geappliances.com) for more info

