



DFI EP100-AL Intel Atom x5-E3940 Ultra Compact Fanless PC

Key Features:

- Intel Atom x5-E3940 Processor
- Sleek and stylish mini computer
- Support up to 4K digital content by 2 displays
- Support PoE PD 802.3af 12.95W
- Diverse I/O: 1 USB 3.1 Type C, 1 USB 3.1 Type A, 2 USB 2.0 Type A, 1 LAN, 1 3.5mm Audio Jack
- 15-Year CPU Life Cycle Support Until Q4' 31 (Based on Intel IOTG Roadmap)

Description

The DFI EP100-AL Ultra Compact Fanless PC is powered by Intel Atom x5-E3940 processor. The DFI EP100-AL provides rich I/O including: 4x USB Ports and 1x LAN port.

EP100-AL



Intel Atom® Processor
Tiny-sized Mini PC



KEY FEATURES



Tiny-sized and reliable

Fanless design with anti-vibration and shock



Sleek and stylish with excellent cooling

Support wide temperature -10°C to 50°C



Multiple Power in source

Support USB Type C and PoE PD 802.3af 12.95W



Application Focus: Digital Signage

Support up to 4K digital content by 2 displays

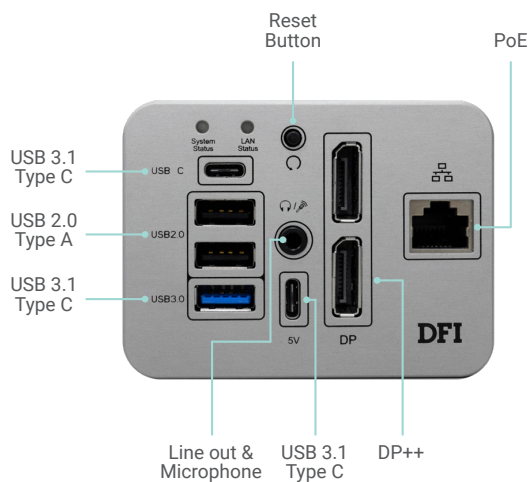


Diverse I/O

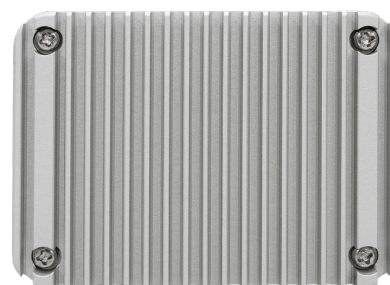
1 USB 3.1 Type C, 1 USB 3.1 Type A, 2 USB 2.0 Type A, 1 LAN, 1 3.5mm Audio Jack



PANEL

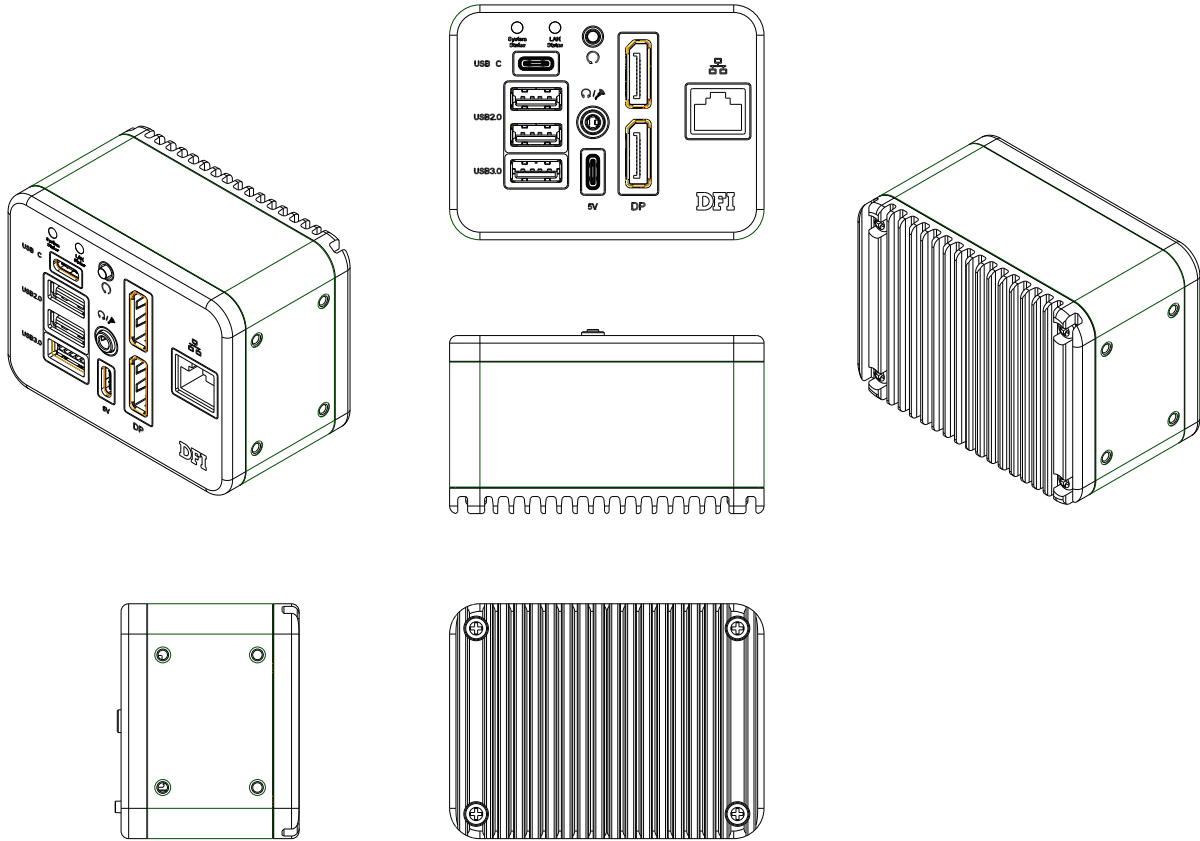


Front View



Rear View

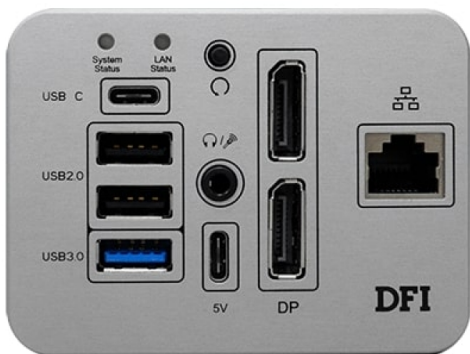
DIMENSIONS



SPECIFICATION

SYSTEM	Processor	Intel Atom® Processor E3900 Series, BGA 1296 Intel Atom® x5-E3940 Processor, Quad Core, 2M Cache, 1.6GHz (1.8GHz), 9W
	Memory	LPDDR4 4GB Memory onboard
	BIOS	AMI SPI 128Mbit (supports UEFI/Legacy mode)
GRAPHICS	Controller	Intel® HD Graphics
	Feature	OpenGL 4.2, Direct X 11.1, OpenCL 1.2, OGL ES 3.0 HW Decode: H.264, MPEG2, VC1, VP8, H.265, MPEG4, MVC, VP9, WMV9, JPEG/MJPEG HW Encode: H.264, MPEG4, VP8, H.265, MVC
	Display	2 x DP++ DP: resolution up to 4096x2160 @ 60Hz
	Dual Displays	2 x DP++
STORAGE	Internal	Support EMMC up to 64GB
ETHERNET	Controller	Intel i210AT PCIe (10/100/1000Mbps)
LED	Indicators	1 x Power LED 1 x LAN LED
FRONT I/O	PoE	PoE PD 802.3af 12.95W
	Display	2 x DP++
	Buttons	1 x Reset Button
	USB	1 x USB 3.1 Type C 1 x USB 3.1 Type A 2 x USB 2.0 Type A
	Audio	3.5mm jack, Line out and Microphone
WATCHDOG TIMER	Output & Interval	System Reset, Programmable via Software from 1 to 255 Seconds
POWER	Type	5V/15W
	Connector	USB Type C or RJ45 (PoE PD)
OS SUPPORT	OS Support (UEFI Only)	Window 10 IoT Enterprise LTSC Linux
ENVIRONMENT	Operating Temperature	0 to 50°C
	Storage Temperature	-20 to 70°C
	Relative Humidity	-20 to 80% RH (non-condensing)
MECHANISM	Construction	Aluminum + Metal
	Mounting	Wall Mount
	Dimensions (W x H x D)	83mm x 47mm x 62mm
	Weight	300g
STANDARDS AND CERTIFICATIONS	Certifications	CE, FCC class B (ongoing)

Images



Assured Systems

Assured Systems is a leading technology company with over 1,500 regular clients in 80 countries, deploying over 85,000 systems to a diverse customer base in 12 years of business. We offer high-quality and innovative rugged computing, display, networking and data collection solutions to the embedded, industrial, and digital-out-of-home market sectors.

US

sales@assured-systems.com

Sales: +1 347 719 4508
Support: +1 347 719 4508

1309 Coffeen Ave
Ste 1200
Sheridan
WY 82801
USA

EMEA

sales@assured-systems.com

Sales: +44 (0)1785 879 050
Support: +44 (0)1785 879 050

Unit A5 Douglas Park
Stone Business Park
Stone
ST15 0YJ
United Kingdom

VAT Number: 120 9546 28
Business Registration Number: 07699660