



## 20.4 Cu. Ft. Top Freezer Refrigerator

Top Freezer Refrigerator

Available Products: FFHT2033VE, FFHT2033VP, FFHT2033VS

Available Colors: Ebony Black, Pearl White, Stainless Steel

Version: 08/22

## Product Specifications

### Refrigerator

|                                  |           |
|----------------------------------|-----------|
| Crisper Color                    | Clear     |
| Dairy Bin                        | Yes       |
| Deli Drawer                      | Yes       |
| Door Bin Color                   | White     |
| Humidity Controls                | Automatic |
| Interior Lighting                | LED       |
| Number of Fixed Gallon Door Bins | 1         |
| Number of Other Door Bins        | 3         |
| Number of Pull Out Shelves       | 2         |
| Number of Crispers               | 2         |

### Ice Maker

|           |    |
|-----------|----|
| Ice Maker | No |
|-----------|----|

### Exterior

|               |     |
|---------------|-----|
| Door Stops    | Yes |
| Front Rollers | No  |
| Rear Rollers  | Yes |

### Electrical Specifications

|                          |         |
|--------------------------|---------|
| Minimum Circuit Required | 15 Amps |
|--------------------------|---------|

### Certifications and Approvals

|               |    |
|---------------|----|
| ADA Compliant | No |
|---------------|----|

### Safety Certifications and Approvals

|               |     |
|---------------|-----|
| CSA Listed    | Yes |
| UL Listed     | Yes |
| ETL Listed    | No  |
| NSF Certified | No  |

### Freezer

|                           |       |
|---------------------------|-------|
| Baskets / Bins Color      | Clear |
| Shelf Material            | Wire  |
| Number of Fixed Door Bins | 2     |
| Number of Fixed Shelves   | 1     |

### Controls

|                 |    |
|-----------------|----|
| Digital Display | No |
|-----------------|----|

### Dimensions and Volume

|                            |              |
|----------------------------|--------------|
| Height With Hinge          | 69"          |
| Height Without Hinge       | 68 1/4"      |
| Width                      | 29 5/8"      |
| Width of Cabinet           | 29 5/8"      |
| Depth of Cabinet           | 28 1/2"      |
| Depth With Door            | 31 3/4"      |
| Depth With Door 90° Open   | 60"          |
| Depth With Door and Handle | 34 1/8"      |
| Fresh Food Capacity        | 15.3 Cu. Ft. |
| Freezer Capacity           | 5.1 Cu. Ft.  |
| Total Capacity             | 20.4 Cu. Ft. |

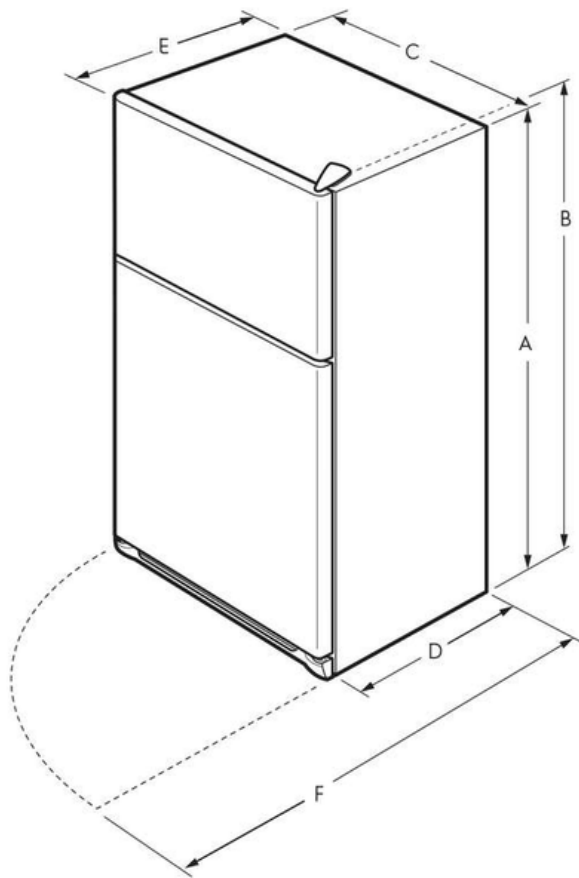
### General Specifications

|                  |         |
|------------------|---------|
| Annual Energy    | 387 kWh |
| Condenser Type   | Dynamic |
| Prop 65 Label    | No      |
| Refrigerant Type | R-134   |
| Warranty - Labor | 1 Year  |
| Warranty - Parts | 1 Year  |

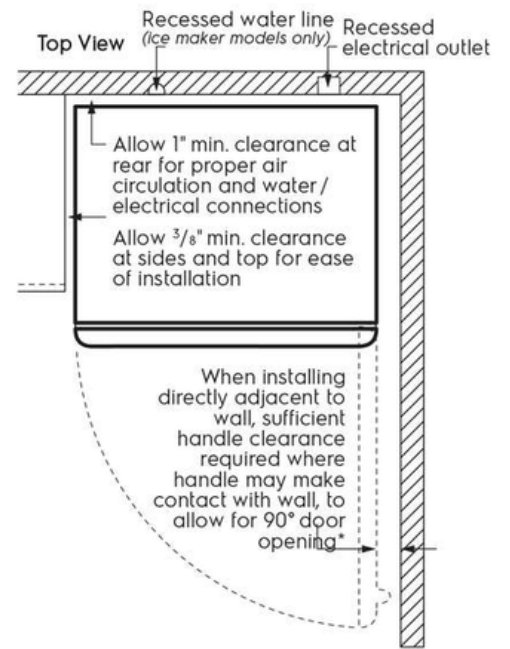
### Performance Certifications and Approvals

|                       |     |
|-----------------------|-----|
| ENERGY STAR Certified | Yes |
|-----------------------|-----|

## Installation Diagram



|   |                                  |
|---|----------------------------------|
| A | 59 <sup>7</sup> / <sub>8</sub> " |
| B | 60 <sup>1</sup> / <sub>2</sub> " |
| C | 27 <sup>5</sup> / <sub>8</sub> " |
| D | 25 <sup>1</sup> / <sub>4</sub> " |
| E | 29 <sup>3</sup> / <sub>8</sub> " |
| F | 53 <sup>5</sup> / <sub>8</sub> " |



\* When installing refrigerator adjacent to wall, cabinet or other appliance that extends beyond front edge of unit, 20" minimum clearance recommended to allow for optimum 140° door swing, providing complete crisper access and removal. (Absolute 3" minimum clearance will ONLY allow for 90° door swing which will provide limited crisper access with restricted removal.)