

# Smart Wire-Free Security Camera

Model: Tapo C420



Smart. Secure. Easy.

 180-Day Battery Life\*

 Full-Color Night Vision

 Starlight Sensor

 Smart AI Detection and Notification

 IP65 Weatherproof



## // Highlight

### Full-Color in the Night

Offer full-color and sharp views day and night, rain or shine.

### Smart AI Detection and Notification

Smart AI identifies people, pets, and vehicles, notifying users as needed.

## // Features



### 2K QHD

Now with 1.7 times more pixels than 1080p, providing clearer videos and photos.



### 180-Day Battery Life\*

The rechargeable and removable battery with a low-power protocol extends your usage.



### Wire-Free Placement

No wires means you can place the cameras almost anywhere inside or outside – whatever works for you!



### Sound and Light Alarm

Trigger sound and light as an alarm when motion is detected.



### Two-Way Audio

Enables communication through a built-in microphone and speaker.



### IP65 Weatherproof

Helps Tapo C420S1 perform well even in harsh environments with rain and dust.



### Flexible Storage Choices

Save recorded videos on the hub-installed microSD card† (up to 256 GB) or by using Tapo Care\*\* cloud storage services.

## // Specifications

### Camera

- Image Sensor: 1/3"
- Resolution: 2K QHD (2560 × 1440 px)
- Night Vision: 850 nm IR LED up to 49 ft/15m
- Lens: F/NO: 1.61±10%; Focal Length: 3.18mm±5%
- View Range: 113°

### Audio

- Audio Communication: 2-way audio
- Audio Input & Output: Built-in microphone and speaker

### Video

- Video Compression: H.264
- Frame Rate: 15/20 fps
- Video Streaming: 2K QHD
- Audio Compression: G.711

### Activity Notifications

- Input Trigger: Motion detection, Person detection, Pet detection, Vehicle detection.
- Output Notification: Notification, Snapshot(Tapo care), Clips(Tapo care).

### Network

- Wireless Protocols: IEEE 802.11b/g/n, 2.4 GHz
- Frequency: 2.4 GHz
- Wireless Security: WPA/WPA2-PSK
- Security: 128 bit AES encryption with SSL/TLS
- Protocol: TCP/IP, ICMP, DNS, HTTPS, TCP, UDP

## // Specifications

### Hardware

- Camera Button: Reset/SYNC Button
- Camera Indicator LED: System LED
- Camera Adapter Input: 100-240V, 50/60Hz
- Camera Adapter Output: 5.0V, 1.0A
- External Storage: microSD card slot <sup>†</sup>(Supports up to 256 GB)
- Camera Dimensions (Lx W x H): 4.35 x 2.52 x 2.52in. (110.6\*64.2\*64.2mm)

### Others

- Certification: CE, RoHS, RCM
- Package Contents:
  - Tapo C420 Camera (Battery Included)
  - USB Adapter
  - USB Adapter Cable
  - DC Power Adapter
  - Mounting Screws
  - Mounting Templates
  - Camera Brackets
  - Quick Start Guide
  - RJ45 Ethernet Cable
- Operating Temperature: -20 °C ~45 °C (-4°F ~113 °F)
- Storage Temperature: -20 °C ~60 °C (-4°F~140°F)
- Operating Humidity: 10%~90%RH, Non-condensing
- Storage Humidity: 5%~90%RH, Non-condensing

\*180-day battery life is based on TP-Link's laboratory testing with 10-20 triggered events per day. Actual battery life may vary based on device settings, use, and environmental factors.

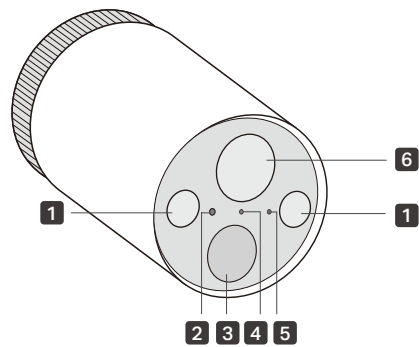
<sup>†</sup>microSD card needs to be purchased separately.\*\*Tapo Care needs to be subscribed separately.

Specifications are subject to change without notice. All brands and product names are trademarks or registered trademarks of their respective holders.

©2023 TP-Link

## // Device Appearance

Front



**1** Spotlights

**2** Light Sensor

**3** Motion Sensor

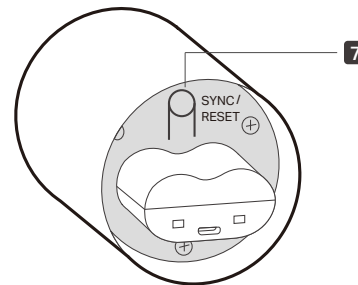
**4** Status LED

Indicate the status of your camera.

**5** Microphone

**6** Lens

Back



**7** SYNC/RESET Button

While the camera is powered on:

Press for 1 second: Pair with the hub

Press and hold for about 5 seconds: Reset the camera