

SERVICE MANUAL

17" LCD Monitor LM-729



THESE DOCUMENTS ARE FOR REPAIR SERVICE INFORMATION ONLY. EVERY REASONABLE EFFORT HAS BEEN MADE TO ENSURE THE ACCURACY OF THIS MANUAL; WE CANNOT GUARANTEE THE ACCURACY OF THIS INFORMATION AFTER THE DATE OF PUBLICATION AND DISCLAIMERS RE LIABILITY FOR CHANGES, ERRORS OR OMISSIONS.

Table of Contents	
Table of Contents	3
1. MONITOR SPECIFICATIONS	5
2. LCD MONITOR DESCRIPTION	6
3. OPERATING INSTRUCTIONS	7
3.1 GENERAL INSTRUCTIONS	7
3.2 CONTROL BUTTONS	7
3.3 ADJUSTING THE PICTURE.....	7
4. Input/Output Specification -	10
4.1 Input Signal Connector	10
4.2 Factory Preset Display Modes	11
4.3 Power Supply Requirements	12
4.3.1 Input Requirements	12
4.3.2 Output Requirements	12
4.4 PANEL SPECIFICATION	14
4.4.1 Panel Feature	14
4.4.2 Display Characteristics	14
4.4.3 Optical Characteristics	14
4.4.4 Parameter guide line for CCFL Inverter	14
5. Block Diagram	15
5.1 Monitor Exploded View	15
5.2 Software Flow Chart	16
5.3 Electrical Block Diagram	18
5.3.1 Main Board	18

5.3.2 Inverter/Power Board-----	19
6. Schematic -----	21
6.1 Main Board -----	21
6.2 AUDIO Board -----	25
6.3 Key Board -----	26
6.4 Inverter/Power Board -----	27
7. PCB Layout -----	29
7.1 Main Board -----	29
7.2 Inverter/Power Board -----	31
7.3 Keypad Board And Audio board-----	34
8. Maintainability -----	34
8.1 Equipments and Tools Requirements -----	35
8.2 Trouble Shooting -----	33
8.2.1 Main Board -----	35
8.2.2 Power/Inverter Board -----	38
8.2.3 Key Pad Board -----	40
9. White-Balance, Luminance adjustment -----	41
10. EDIT Content -----	42
11. BOM List -----	43

1.MONITOR SPECIFICATIONS

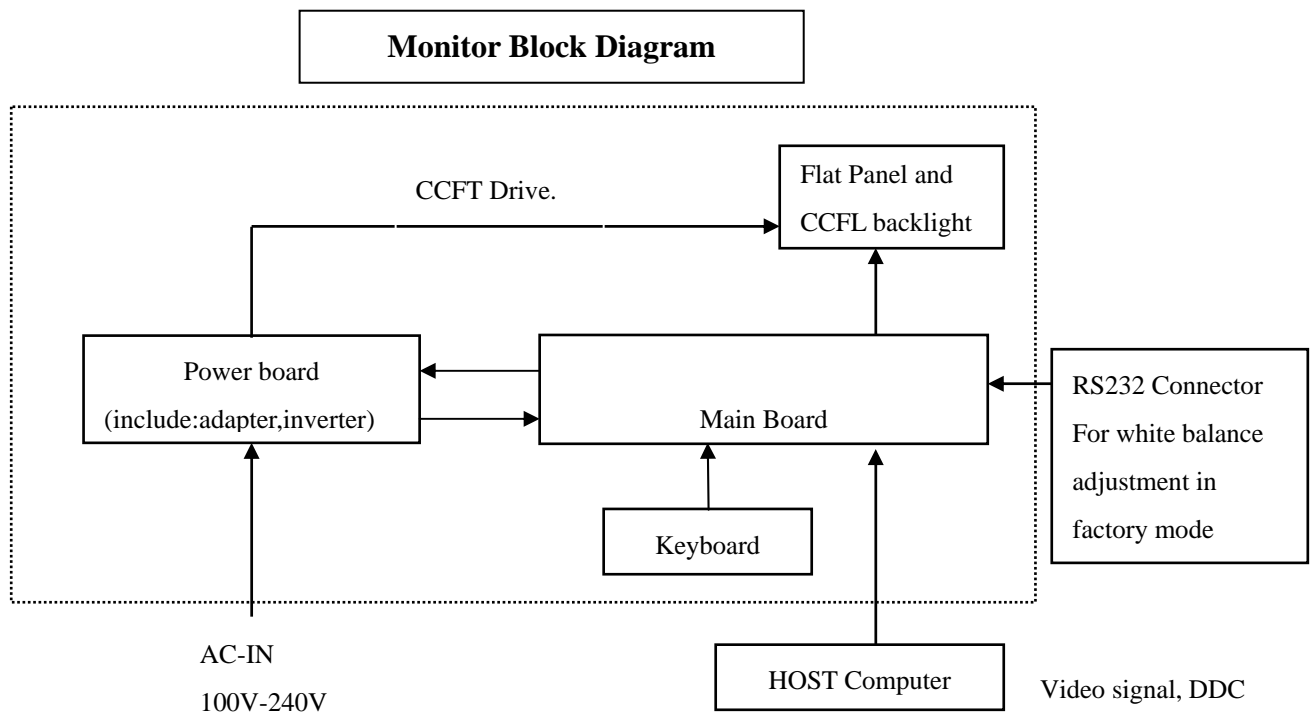
	Driving system	TFT Color LCD
LCD Panel	Size	43.2cm(17.0")
	Pixel pitch	0.264mm(H)x 0.264mm(V)
	Viewable angle	90° (H) 90° (V)
	Response time (typ.)	25 ms
	Video	Analog /Digital
Input	Sync. Type	H/V TTL
	H-Frequency	30kHz – 80kHz
	V-Frequency	55-75Hz
Display Colors		Over 16 million Colors
Dot Clock		135MHz
Max. Resolution		1280 x 1024
Plug & Play		VESA DDC2B™
Power Consumption	ON Mode	<45W
	OFF Mode	<2W
Maximum Screen Size		Horizontal : 13.3”(337.92mm) Vertical : 10.6”(270.336mm)
Power Source		100~240VAC,47~63Hz
Environmental Considerations		Operating Temp: 0°C to 40°C Storage Temp.: -20°C to 60°C Operating Humidity : 15% to 90%
Weight (N. W.)	Packaged	7.0Kg Unit
	Unpackaged	6.0Kg Unit

2. LCD MONITOR DESCRIPTION

The LCD MONITOR will contain a main board, an inverter/power board, keypad board , Audio board and external power adapter which house the flat panel control logic, brightness control logic and DDC.

The Inverter board will drive the backlight of panel and the DC-DC conversion.

The Adapter will provide the 12V DC-power to inverter/power board.



3. OPERATING INSTRUCTIONS

3.1 GENERAL INSTRUCTIONS

Press the power button to turn the monitor on or off. The other control buttons are located at front panel of the monitor. By changing these settings, the picture can be adjusted to your personal preferences.

- The power cord should be connected.
- Connect the video cable from the monitor to the video card.
- Press the power button to turn on the monitor, the power indicator will light up.

3.2 CONTROL BUTTONS

- Power Button:

When pressed, the monitor enters the off mode, and the LED turns blank. Press again to restore normal status.

- Left / Right Button:

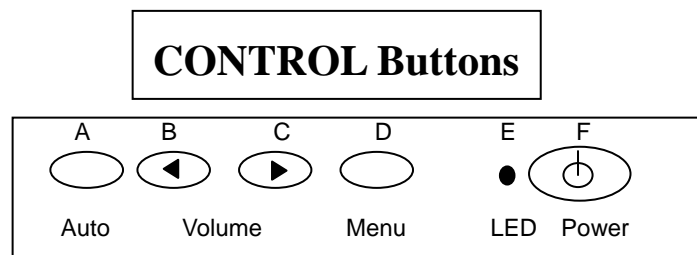
When the OSD show on screen, Left/Right Button are used to control the monitor functions. Press to switch functions or adjust settings. And if the OSD off, Left/Right buttons are used to control the audio volume;

- Auto Adjust Key:

The Auto Adjust Key is used to automatically set the H Position, V Position, Clock and Phase.

- Power Indicator:

Green — Power On mode.
Orange — Power Saving mode.
Blank —Power Off Mode.



A. Menu button

B. Left button/Volume down

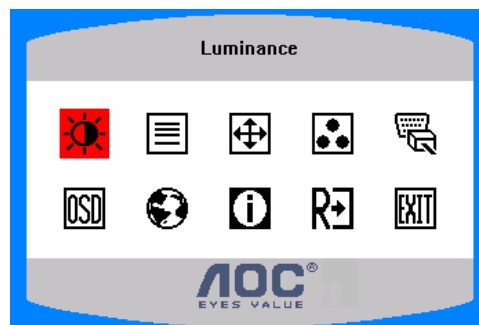
C. Right button/Volume up

D. Auto button/Exit

















E. Indicator light





F. Power button

3.3 ADJUSTING THE PICTURE



OSD Table:

Main Menu Item	Main Menu Icon	Sub Menu Item	Sub Menu Icon	Description	Adjust Range	Reset Value
Luminance		Contrast		Contrast from Digital-register.	0-100	Recall Cool Contrast Value
		Brightness		Backlight Adjustment	0-100	Recall Cool Brightness Value
Image Setup		Focus		Adjust Picture Phase to reduce Horizontal-Line noise	0-100	Do Auto Config
		Clock		Adjust picture Clock to reduce Vertical-Line noise.	0-100	Do Auto Config
Image Position		H. Position		Adjust the horizontal position of the picture.	0-100	Do Auto Config
		V. Position		Adjust the vertical position of the picture.	0-100	Do Auto Config
Color Temp.		Warm	N/A	Recall Warm Color Temperature from EEPROM.	N/A	The Color Temperature will be set to Cool.
		Cool	N/A	Recall Cool Color Temperature from EEPROM.	N/A	
		User / Red	R	Red Gain from Digital-register.	0-100	The User R/G/B value(default is 100) will not be Modified by Reset function.
		User / Green	G	Green Gain Digital-register.	0-100	
		User / Blue	B	Blue Gain from Digital-register.	0-100	
Auto Config (Analog-Only Model)		Yes	N/A	Auto Adjust the H/V Position, Focus and Clock of picture.	N/A	N/A
		No	N/A	Do not execute Auto Config, return to main menu.	N/A	N/A
Input Select (Dual-Input Model)		Analog	N/A	Select input signal from analog (D-Sub)	N/A	N/A
		Digital	N/A	Select input signal from digital (DVI)	N/A	N/A
OSD Setup		H. Position		Adjust the horizontal position of the OSD.	0-100	50
		V. Position		Adjust the vertical position of the OSD.	0-100	50
		OSD Timeout		Adjust the OSD timeout.	10-120	10

Language		English	N/A	Set OSD display language to English.	N/A	The Language will be set to English.
		Deutsch	N/A	Set OSD display language to German.	N/A	
		Français	N/A	Set OSD display language to French.	N/A	
		Español	N/A	Set OSD display language to Spain.	N/A	
		Italiano	N/A	Set OSD display language to Italian.	N/A	
		简体中文	N/A	Set OSD display language to Simplified Chinese.	N/A	
Information		Information	N/A	Show the resolution, H/V frequency and input port of current input timing.	N/A	N/A
Reset		Yes	N/A	Clear each old status of Auto-configuration and set the color temperature to Cool.	N/A	N/A
		No	N/A	Do not execute reset, return to main menu.	N/A	N/A
Exit		N/A	N/A	Exit OSD	N/A	N/A

4. Input/Output Specification

4.1 Input Signal Connector

4.1.1 Analog D-SUB Connector

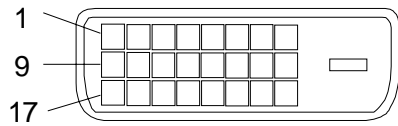
PIN NO.	DESCRIPTION	PI N NO.	DESCRIPTION
1.	Red	9.	+5V
2.	Green	10.	Detect Cable
3.	Blue	11.	NC
4.	Ground	12.	DDC-Serial Data
5.	Ground	13.	H-Sync
6.	R-Ground	14.	V-Sync
7.	G-Ground	15.	DDC-Serial Clock
8.	B-Ground		

VGA connector layout

4.1.2 DVI-D Connector

DVI-D Connector to be compliant to the latest DVI-DDWG specification version available.

Pin	Meaning	Pin	Meaning	Pin	Meaning
1	TMDS Data2-	9	TMDS Data1-	17	TMDS Data0-
2	TMDS Data2+	10	TMDS Data1+	18	TMDS Data0+
3	TMDS Data 2/4 Shield	11	TMDS Data 1/3 Shield	19	TMDS Data 0/5 Shield
4	not connected	12	not connected	20	not connected
5	not connected	13	not connected	21	not connected
6	DDC Clock	14	+5V Power	22	TMDS Clock Shield
7	DDC Data	15	Ground	23	TMDS Clock-
8	Analogue Vertical Sync	16	Hot Plug Detect	24	TMDS Clock+



4.2 Factory Preset Display Modes

VESA MODES							
Mode	Resolution	Total	Horizontal		Vertical		Nominal Pixel Clock (MHz)
			Nominal Frequency +/- 0.5kHz	Sync Polarity	Nominal Freq. +/- 1 Hz	Sync Polarity	
VGA	640x480@60Hz	800 x 525	31.469	N	59.940	N	25.175
	640x480@72Hz	832 x 520	37.861	N	72.809	N	31.500
	640x480@75Hz	840 x 500	37.500	N	75.00	N	31.500
SVGA	800x600@56Hz	1024 x 625	35.156	N/P	56.250	N/P	36.000
	800x600@60Hz	1056 x 628	37.879	P	60.317	P	40.000
	800x600@72Hz	1040 x 666	48.077	P	72.188	P	50.000
	800x600@75Hz	1056x625	46.875	P	75.000	P	49.500
XGA	1024x768@60Hz	1344x806	48.363	N	60.004	N	65.000
	1024x768@60Hz	1312x813	48.78	N	60.00	N	64.000
	1024x768@70Hz	1328x806	56.476	N	70.069	N	75.000
	1024x768@72Hz	1304x798	57.515	P	72.074	P	75.000
	1024x768@75Hz	1328x804	60.200	N	74.90	N	80.000
	1024x768@75Hz	1312x800	60.023	P	75.029	P	78.750
XGA	1152x864@75Hz	1600x900	67.50	P	75.000	P	108.000
SXGA	1280x1024@60Hz	1688x1066	63.981	P	60.020	P	108.000
	1280x1024@75Hz	1688x1066	79.976	P	75.025	P	135.000
IBM MODES							
Mode	Resolution	Total	Horizontal		Vertical		Nominal Pixel Clock (MHz)
			Nominal Frequency +/- 0.5kHz	Sync Polarity	Nominal Freq. +/- 1 Hz	Sync Polarity	
DOS*	720x400@70Hz	900 x 449	31.469	N	70.087	P	28.322
DOS**	640x400@70Hz	800 x 449	31.469	N	70.087	P	25.175
MAC MODES							
VGA	640x480@67Hz	864x525	35.000	N	66.667	N	30.240
SVGA	832x624@75Hz	1152x667	49.725	N	74.551	N	57.2832

4.3 Power Supply Requirements

4.3.1 Input Requirements

PARAMETER	RANGE	CONDITION
Input AC Voltage	100 to 240VAC RMS	Universal input full range
Input Frequency	60Hz @ 100VAC to 50Hz @ 240VAC	
Input Current	Less than 2.0 Amps RMS	Input voltage 100 VAC RMS ; 60 Hertz. Parameter must be reached within 3 seconds of turn-on.
	Less than 1.0 Amps RMS	Input voltage 220 VAC RMS ; 50 Hertz. Parameter must be reached within 3 seconds of turn-on.
Input Power	Less than 75 Watts	
Power factor > 0.5	Input voltage 120 VAC RMS ; 60 Hertz	
Inrush Current	Less than 30 A peak	Input voltage 100 VAC RMS ; 60 Hertz at all Phase(0, 90, 180, 270 degree)
	Less than 50 A peak	Input voltage 240 VAC RMS ; 50 Hertz at all Phase(0, 90, 180, 270 degree)
Input Fusing	Fuse should be located internal to the adapter, easily accessible when the cover is removed	Fuse must be UL/CSA approved. Fuse value must not have to change for 115 VAC or 230 VAC operation
Leakage Current	Less than 3.5 mA	Input voltage 240 Volts RMS ; 50 Hertz
Hi-Pot	Primary to secondary	1.5KVAC for 1 Minute(leakage current 10mA) 1.8KVAC for 1 Minute(leakage current 10mA) 3.0KVAC for 1 Minute(leakage current 10mA) without Y-cap & Coupling cap.
	Primary to Safety Ground	1.5KVAC for 1 Minute(leakage current 10mA) 1.8KVAC for 1 Minute(leakage current 10mA)

4.3.2 Output Requirements

PARAMETER	RANGE	CONDITION
DC Out	12VDC \pm 5%	Min 0A Max 3.75A
Load Regulation	12.0V(12.12V) \pm 5%	11.4 to 12.6VDC
Dynamic Load Regulation	Any frequency up to 250Hz(duty 50%)	\pm 5% for 10% to 100%, 100% to 10% load change for +12Vdc
Ripple & noise	170mVpp at 12VDC	Input voltage : 100VAC at 60Hz 240VAC at 50Hz * Ripple and noise are measured.
Output current protection	less than 7.0A, more than 12.0A at 12.0VDC	Current exceeds maximum rating more than 20%
Leakage Current	Less than 0.25 mA	Input voltage 100 Volts RMS ; 50 Hertz
	Less than 0.5 mA	Input voltage 240 Volts RMS ; 50 Hertz

4.4 PANEL SPECIFICATION

4.4.1 Panel Feature

- High contrast ratio, high aperture structure
- TN(Twisted Nematic) mode
- Wide viewing angle
- High speed response
- SXGA(1280 x 1024 pixels) resolution
- Low power consumption
- 2 dual CCFTs(Cold Cathode Fluorescent Tube)
- DE(Data Enable) mode
- COMPACT SIZE DESIGN

4.4.2 Display Characteristics

Items	Specification	Unit
Display Area	337.92(H) x 270.336(V)	mm
Driver element	a-Si TFT active matrix	
Display color	16.2M	Colors
Number of pixels	1280 x 1024	pixel
Pixel Arrangement	RGB vertical stripe	
Pixel pitch	0.264(H) x 0.264(W)	mm
Display Mode	Normally White	

4.4.3 Optical Characteristics

The optical characteristics are measured under stable conditions at 25 (Room Temperature):

Item	Symbol	Conditions	Min.	Typ.	Max.	Unit	Note	
Contrast Ratio (Center of screen)	C/R	Normal $\phi = 0$ $\theta = 0$ Viewing Angle	250	450	-			
Response Time	Rising		Tr	-	4	5	msec	
	Falling		Tf	-	12	20		
Luminance of White (Center of screen)	YL			200	260	-	Cd/m ²	
Color Chromaticity (CIE 1931) Coordinates (CIE)	Rx			Typ. -0.03	0.64	TYP. +0.03		
	Ry				0.34			
	Gx				0.29			
	Gy				0.61			
	Bx		0.14					
	By		0.07					
	Wx		0.31					
Wy		0.33						
Brightness Uniformity	[%]		75	80	-			

4.4.4 Parameter guide line for CCFL Inverter

INVERTER MAX BRINGTHNESS (Vadj:5.0v), LOAD=120K Ω X4(ROOM TEMPERATURE 25 $^{\circ}$ C \pm 4 $^{\circ}$ C)

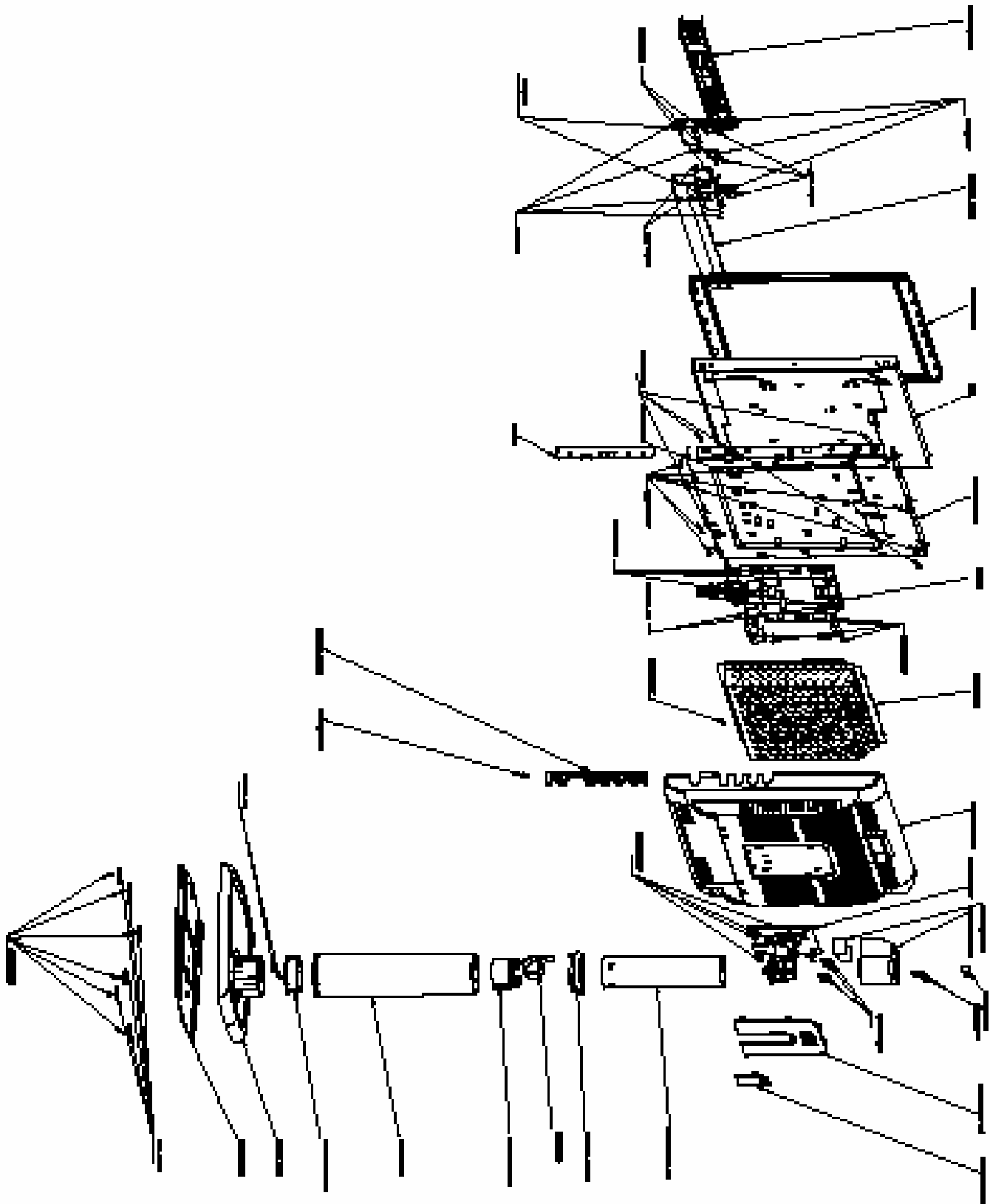
ITEM	SYMBOL	MIN.	TYP.	MAX.	UNIT	REMARK
Input voltage	Vin	10.8	12	13.2	V	
Input current	Iin		2250	2500	mA	FOR 4 LOAD
Output Current	Iout	6.0	6.5	7.0	mA	FOR 1 LOAD
Frequency	F	50.0	55.0	60.0	KHZ	FOR 1 LOAD
H.V open	Vopen	1450	1600	1750	Vrms	NO LOAD
H.V Load	Vload	710	810	910	Vrms	RL=120K Ω
Start voltage	Vst	1650	1750	1850	Vrms	RL=CCFL
Protect delay time	PDT	0.4	1	4	Sec	

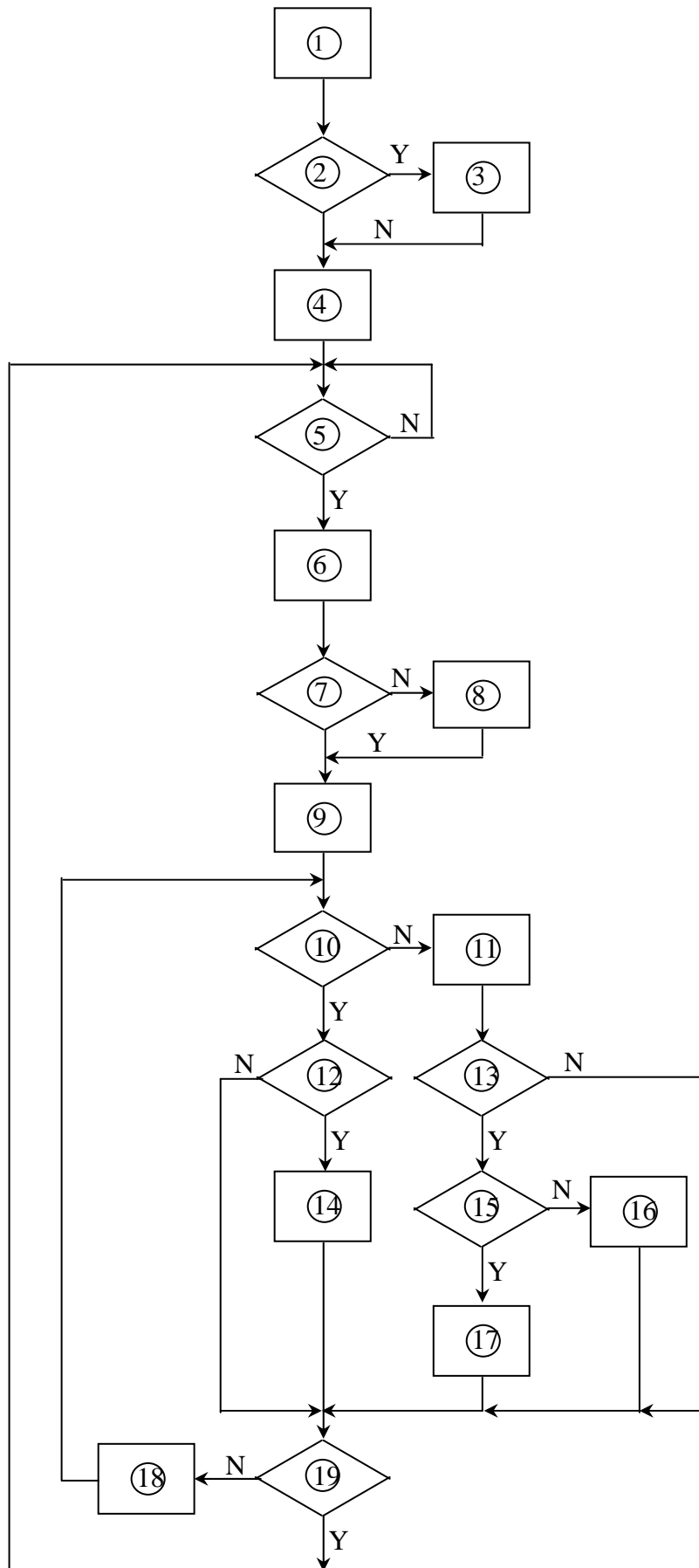
INVERTER MIN BRINGTHNESS (Vadj:0.0v), LOAD=120K Ω X4(ROOM TEMPERATURE 25 $^{\circ}$ C \pm 4 $^{\circ}$ C)

ITEM	SYMBOL	MIN.	TYP.	MAX.	UNIT	REMARK
input voltage	Vin	10.8	12	13.2	V	
input current	Iin		660	750	mA	FOR 4 LOAD
Output Current	Iout	3.0	3.5	4.0	mA	FOR 1 LOAD
Frequency	F	50.0	55.0	60.0	KHZ	FOR 1 LOAD
H.V open	Vopen	1450	1600	1750	Vrms	NO LOAD
Start voltage	Vst	1650	1750	1850	Vrms	RL=CCFL
H.V Load	Vload	350	450	550	Vrms	RL=120K Ω

5. Block Diagram

5.1 Monitor Exploded View



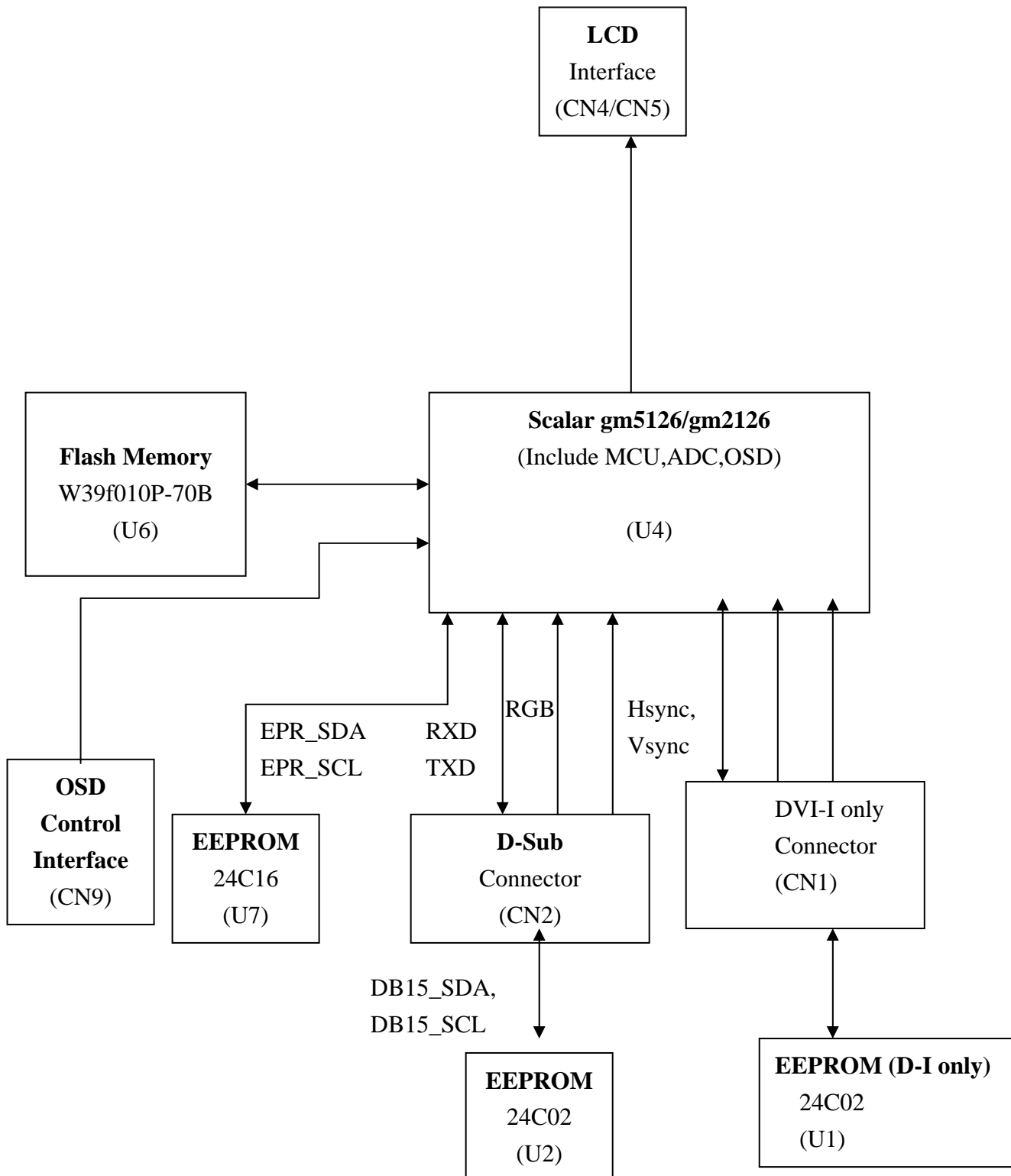


Remark:

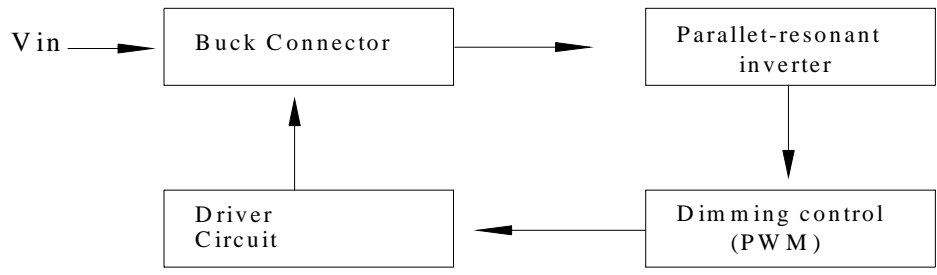
- 1) MCU initialize.
- 2) Is the EEprom blank ?
- 3) Program the EEprom by default values.
- 4) Get the PWM value of brightness from EEprom.
- 5) Is the power key pressed ?
- 6) Clear all global flags.
- 7) Are the AUTO and SELECT keys pressed ?
- 8) Enter factory mode.
- 9) Save the power key status into EEprom.
Turn on the LED and set it to green color.
Scalar initialize.
- 10) In standby mode ?
- 11) Update the life time of back light.
- 12) Check the analog port, are there any signals coming ?
- 13) Does the scalar send out a interrupt request ?
- 14) Wake up the scalar.
- 15) Are there any signals coming from analog port ?
- 16) Display "No connection Check Signal Cable" message. And go into standby mode after the message disappear.
- 17) Program the scalar to be able to show the coming mode.
- 18) Process the OSD display.
- 19) Read the keyboard. Is the power key pressed ?

5.3 Electrical Block Diagram

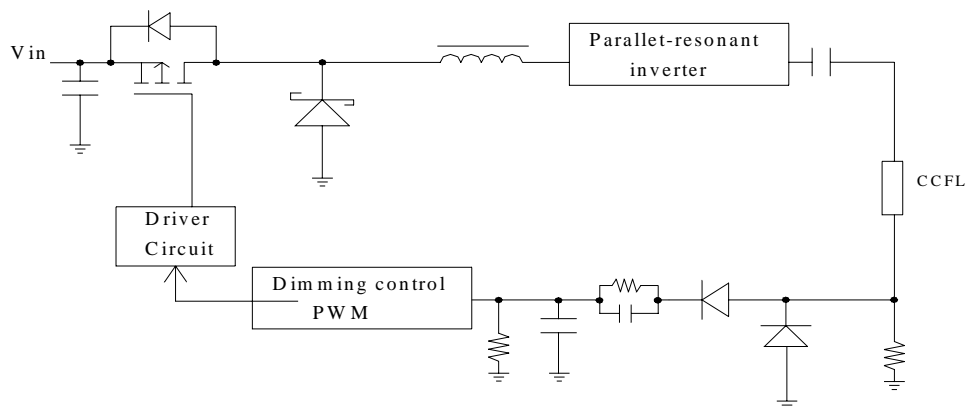
5.3.1 Main Board



Inverter Block Diagram

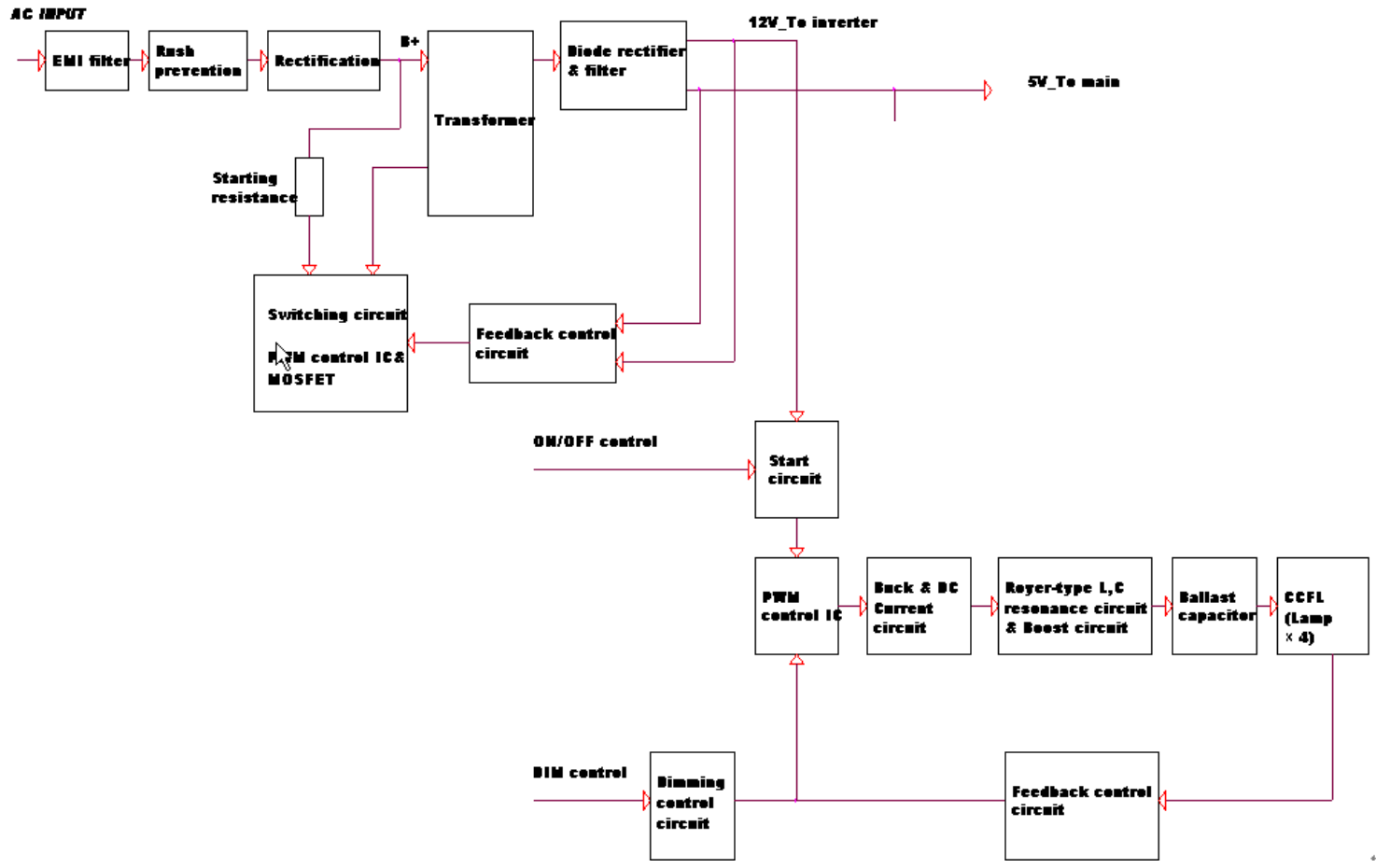


(滤波 瓜)



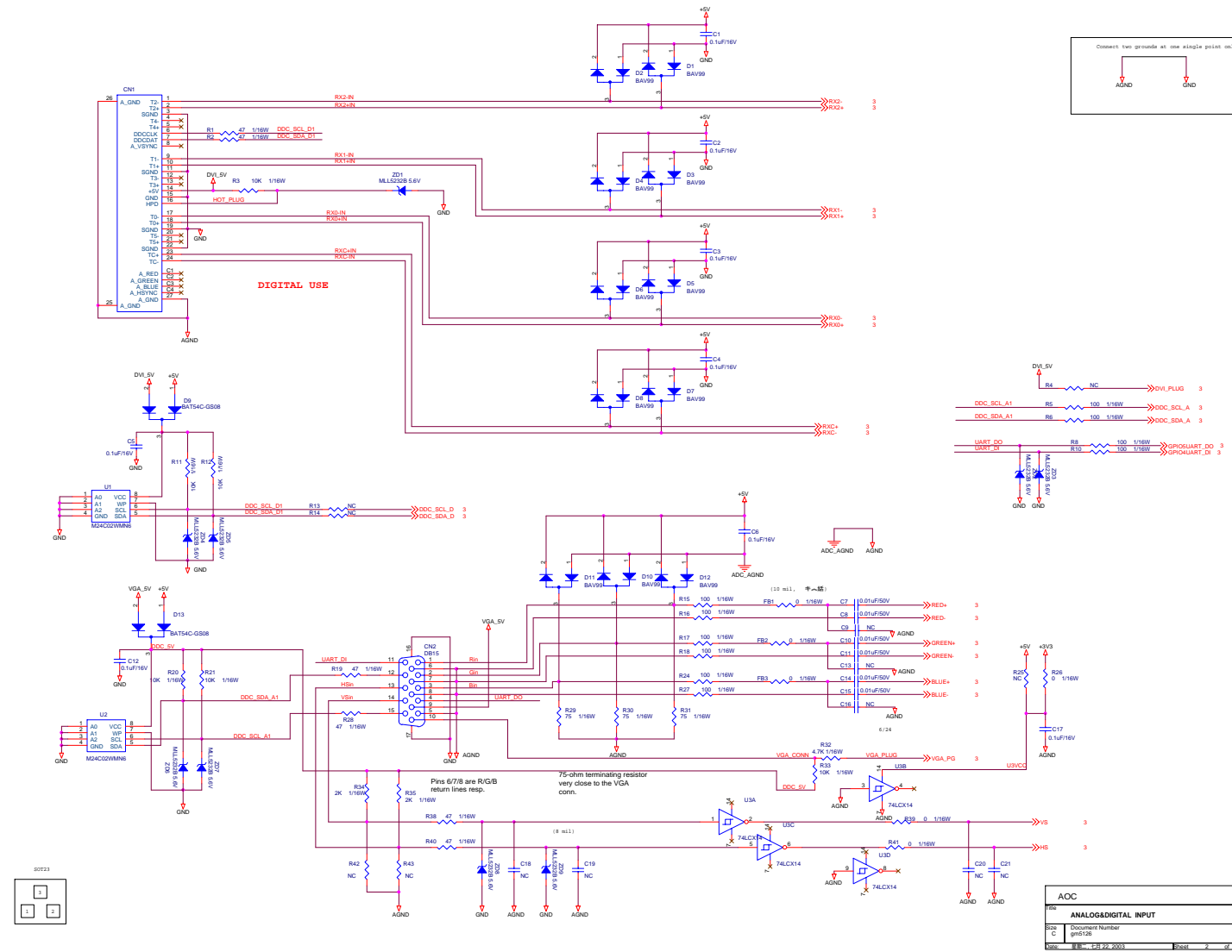
Power Block Diagram

PWPC7425A3 **INTERNAL POWER CIRCUIT BLOCK DIAGRAM**

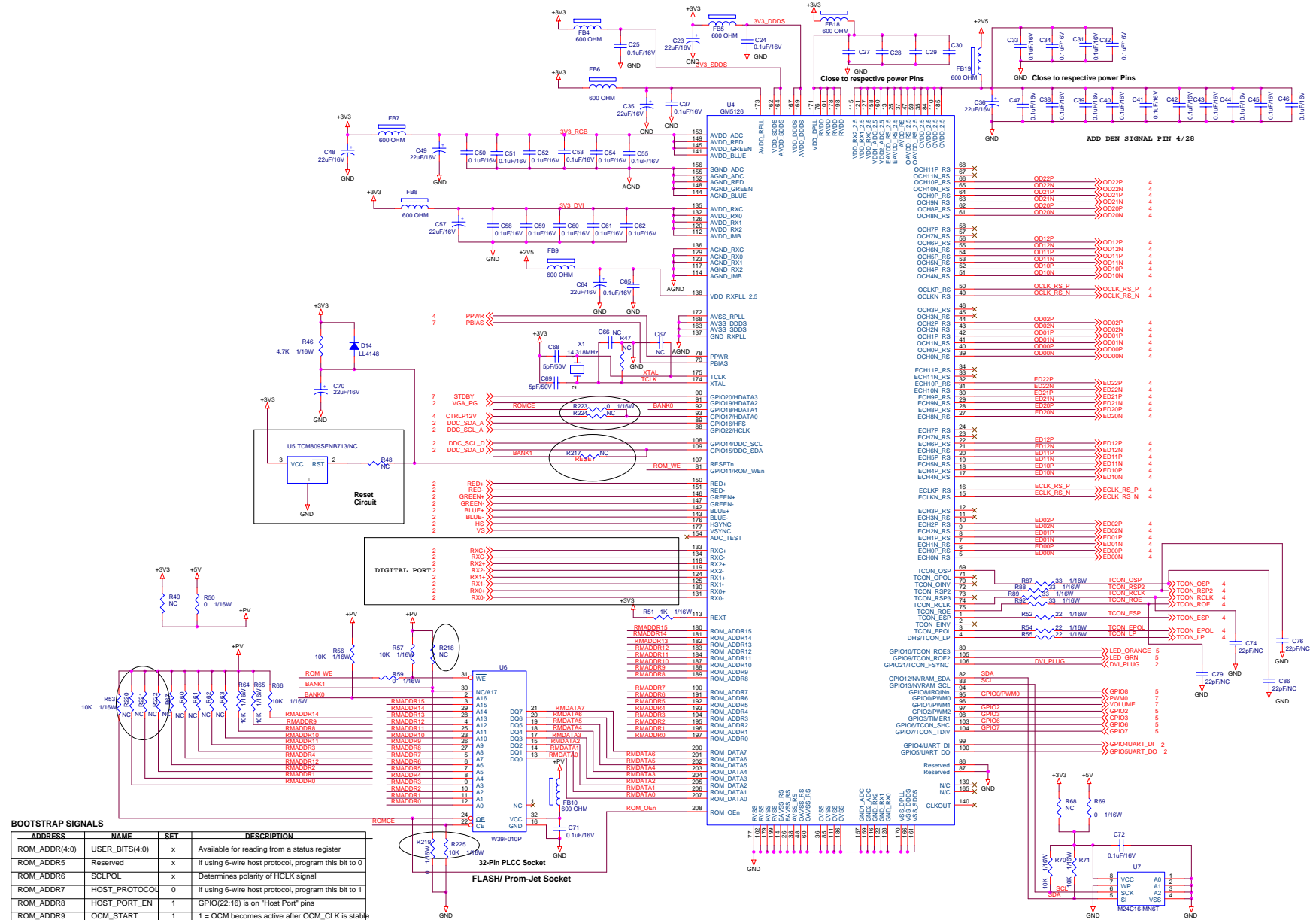


6. Schematic

6.1 Main Board



AOC		
Rev	ANALOG/DIGITAL INPUT	
Size	Document Number	Rev
C	9845128	A
Date	Rev. CUI 22, 2003	Sheet 2 of 8

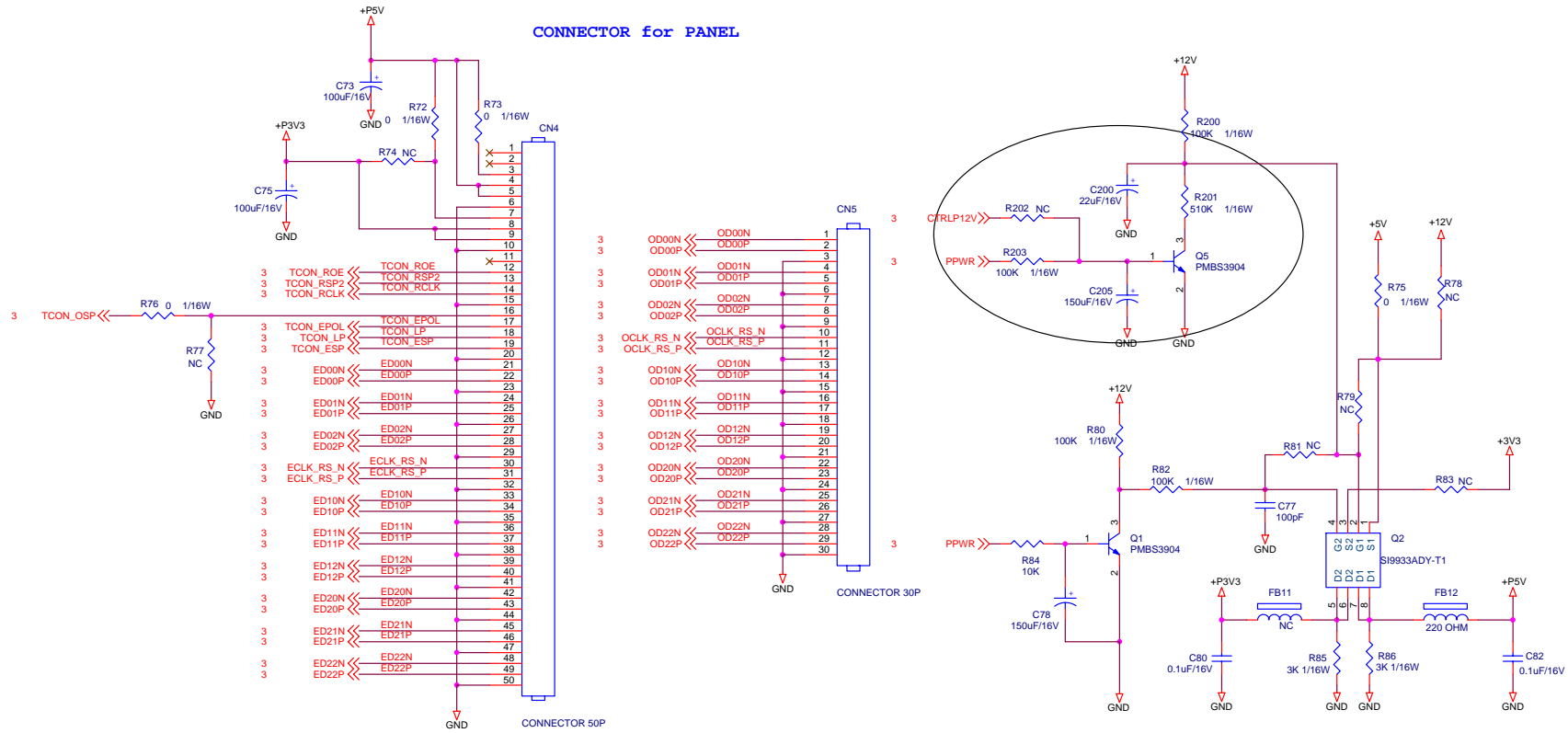


BOOTSTRAP SIGNALS

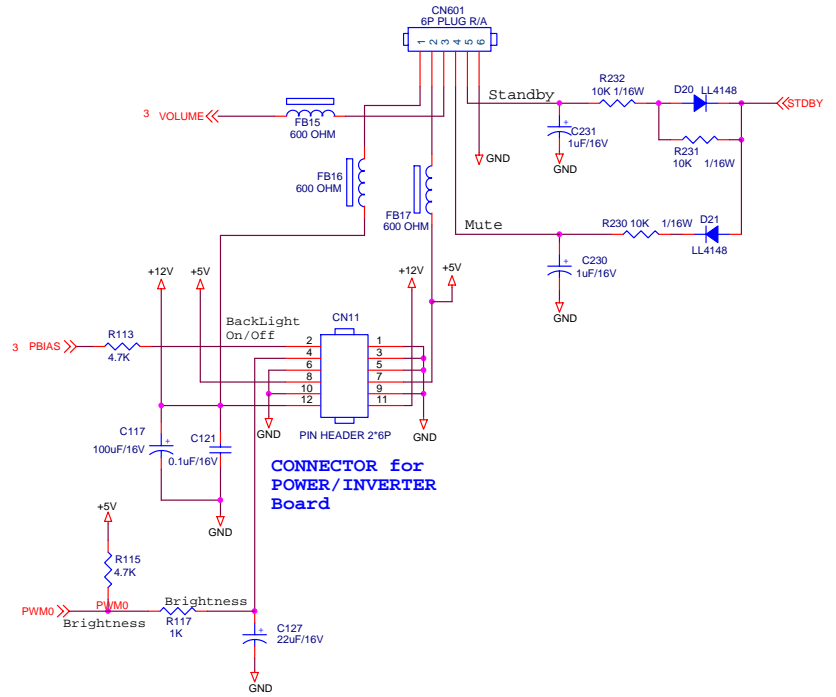
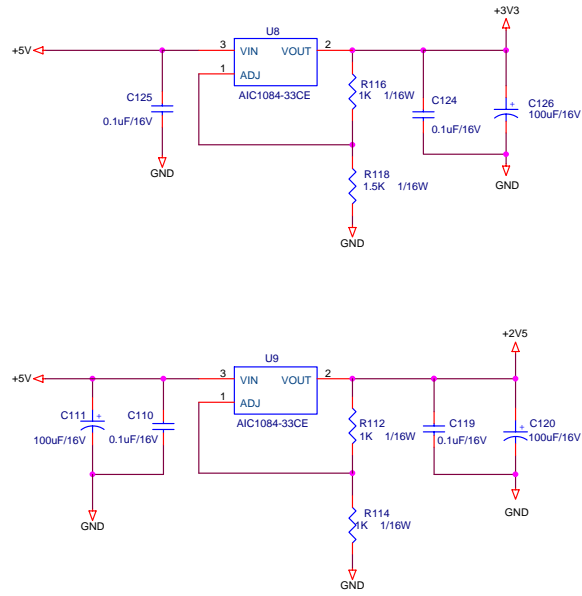
ADDRESS	NAME	SET	DESCRIPTION
ROM_ADDR4(4:0)	USER_BITS(4:0)	x	Available for reading from a status register
ROM_ADDR5	Reserved	x	If using 6-wire host protocol, program this bit to 0
ROM_ADDR6	SCLPOL	x	Determines polarity of HCLK signal
ROM_ADDR7	HOST_PROTOCOL	0	If using 6-wire host protocol, program this bit to 1
ROM_ADDR8	HOST_PORT_EN	1	GPIO(22:16) is on "Host Port" pins
ROM_ADDR9	OCM_START	1	1 = OCM becomes active after OCM_CLK is stable
ROM_ADDR(12:10)	USER_BITS(7:5)	x	Available for reading from a status register
ROM_ADDR13	OSC_SEL	0	0 = XTAL and TCLK pins are connected
ROM_ADDR14	OCM_ROM_CFG(1)	1	1 = All 48K of ROM is in external ROM

AOC

REV	gms126
Size	Document Number
C	gms126
Date	日期 = 1月22, 2003
Sheet	3 of 8

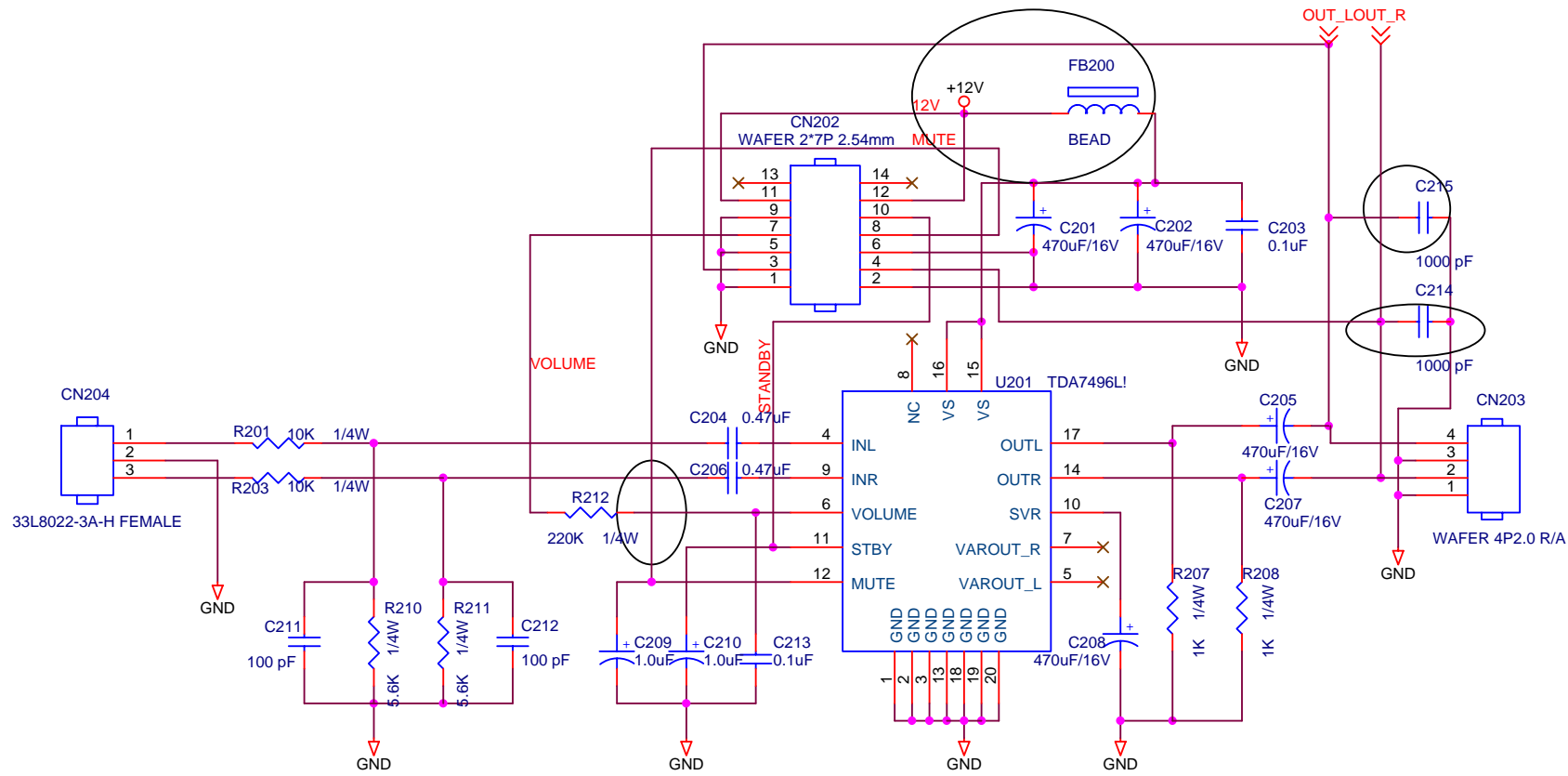


AOC		
Title		
Panel Interface(RSDS)		
Size	Document Number	Rev
B	gm5126	A
Date:	星期二 七月 22, 2003	Sheet 4 of 8



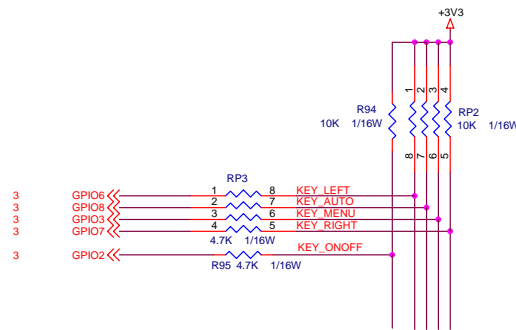
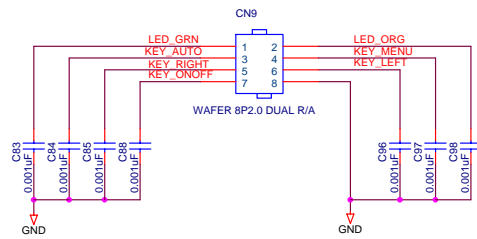
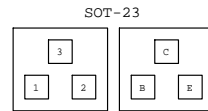
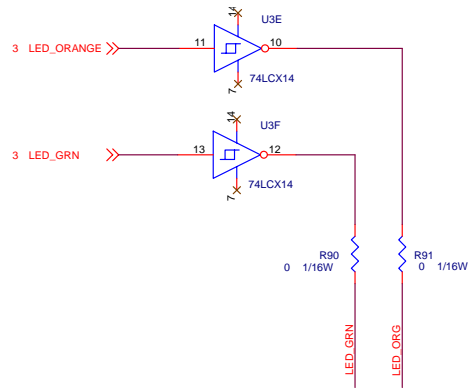
AOC		
Title: Power		
Size: B	Document Number: gm5126	Rev: A
Date: 星期三, 七月 22, 2003	Sheet: 7	of 8

6.2 AUDIO Board



Title			
<Title>			
Title	Size	Document Number	Rev
Audio	A	<Doc>	<RevCode>
Size	Date	Sheet	of
A	星期三, 五月 21, 2003	1	1
Date:		Sheet	
星期三, 五月 21, 2003		1 of 1	

6.3 Key Board

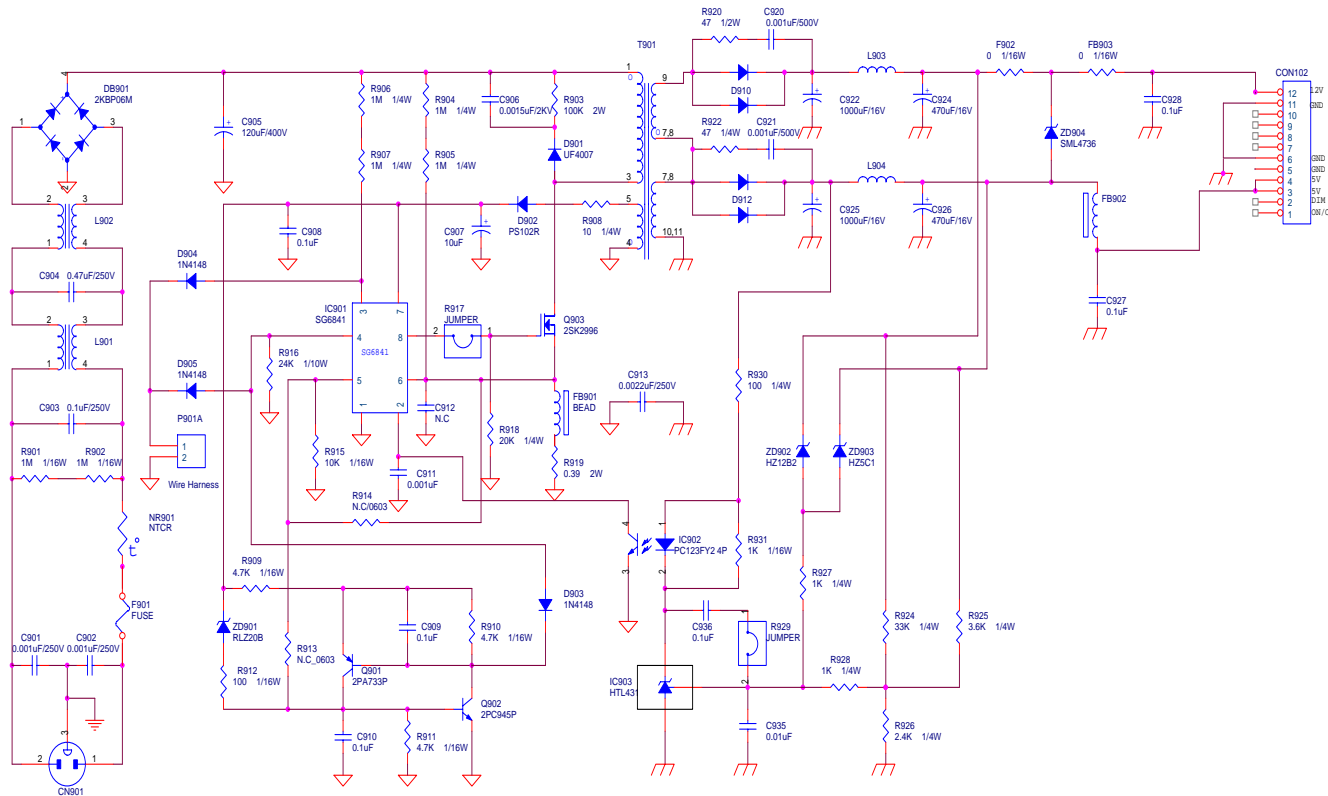


AOC		
Title Keypad		
Size B	Document Number gm5126	Rev A
Date: 星期三, 七月 22, 2003	Sheet 5 of 8	

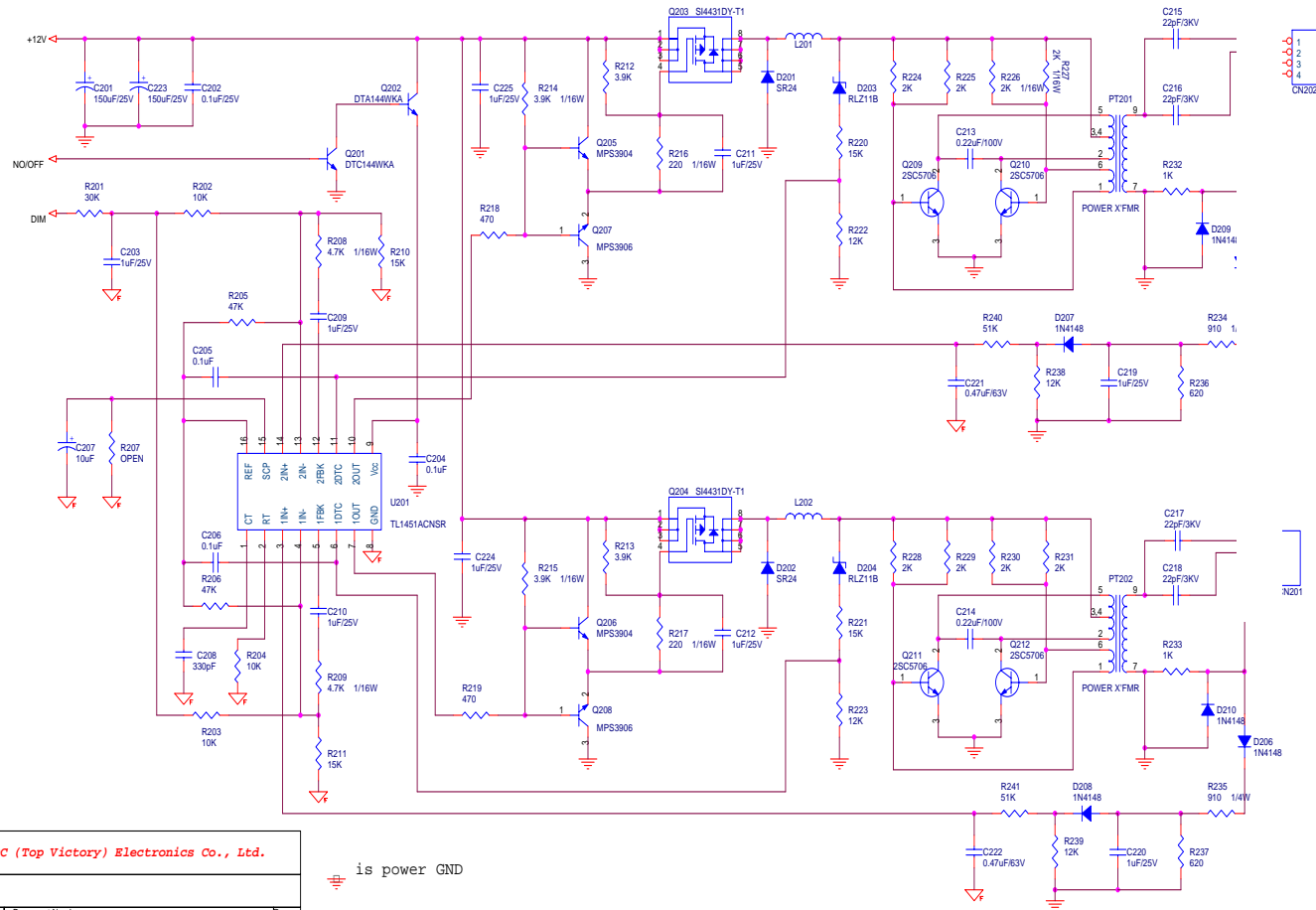
LM-729 Service Manual

6.4 Inverter/Power Board

Rev: A





<Title>		
<OrgName>		
Size	Document Number	Rev
B	P6PCT42593	1
Date:	Sheet 1 of 2	



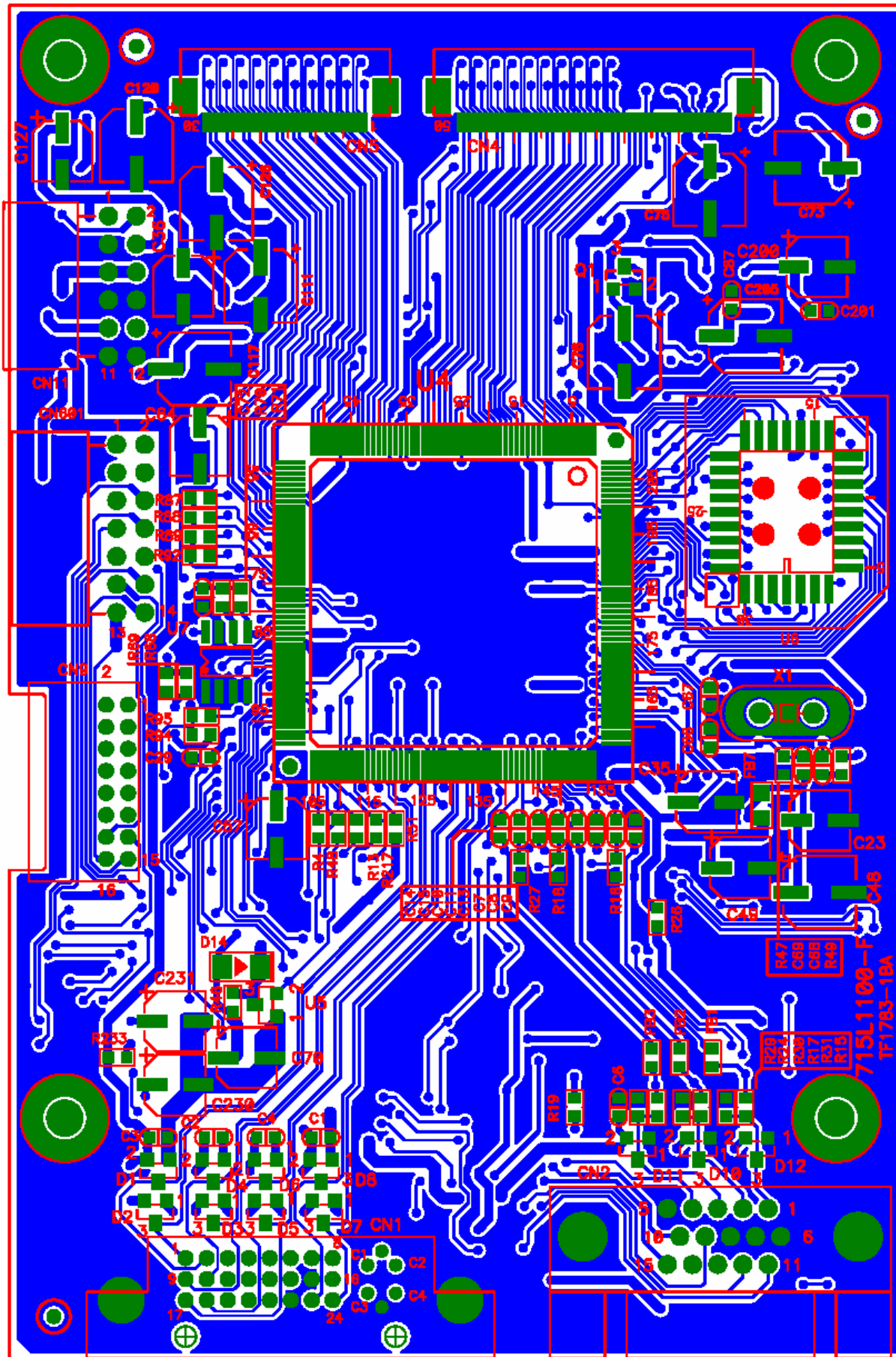
AOC (Top Victory) Electronics Co., Ltd.

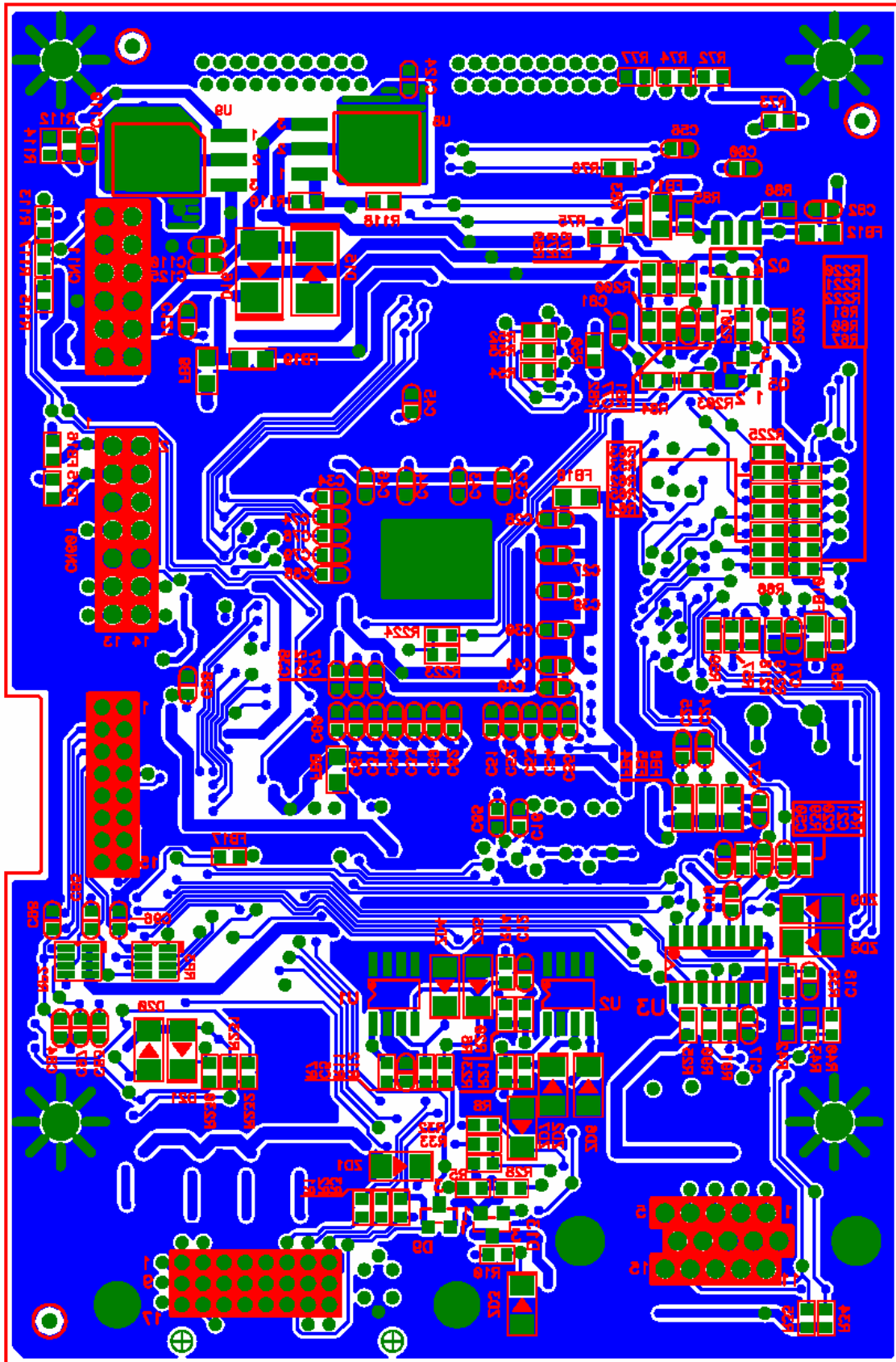
Title		
Size B	Document Number	Rev A
Date: Friday, July 25, 2003	Sheet 2 of 2	

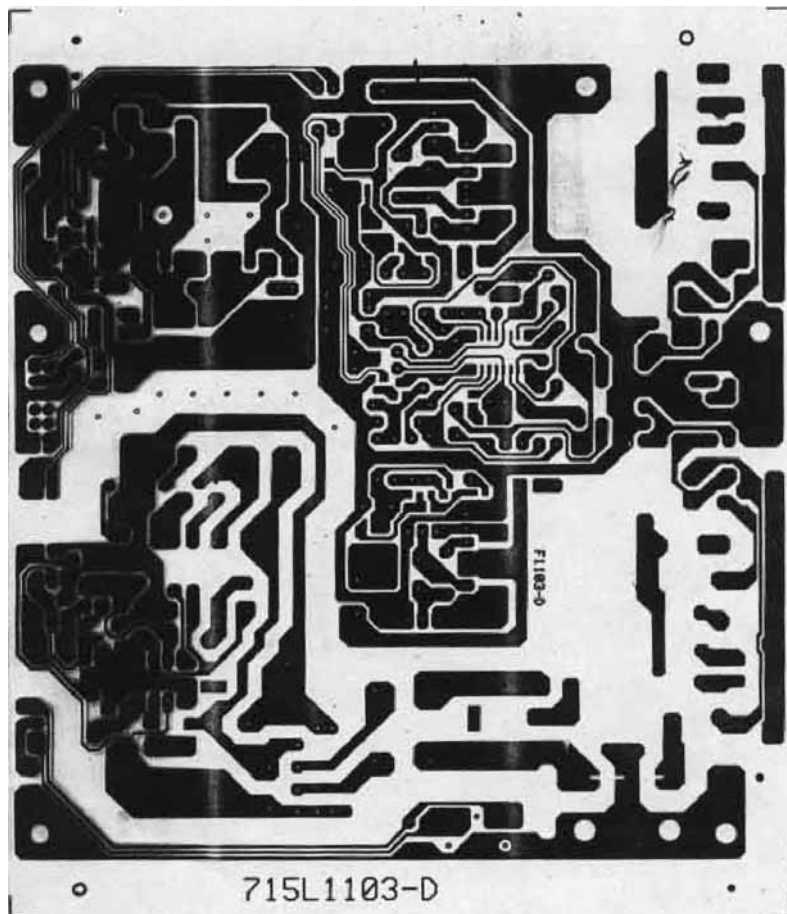
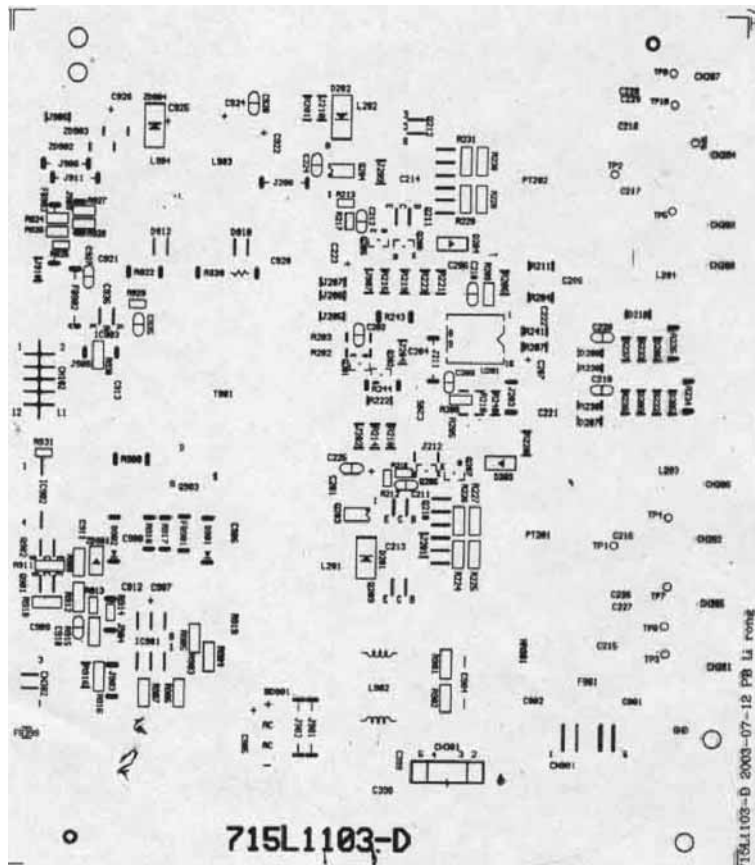
 is power GND
 is signal GND

7. PCB Layout

7.1 Main Board

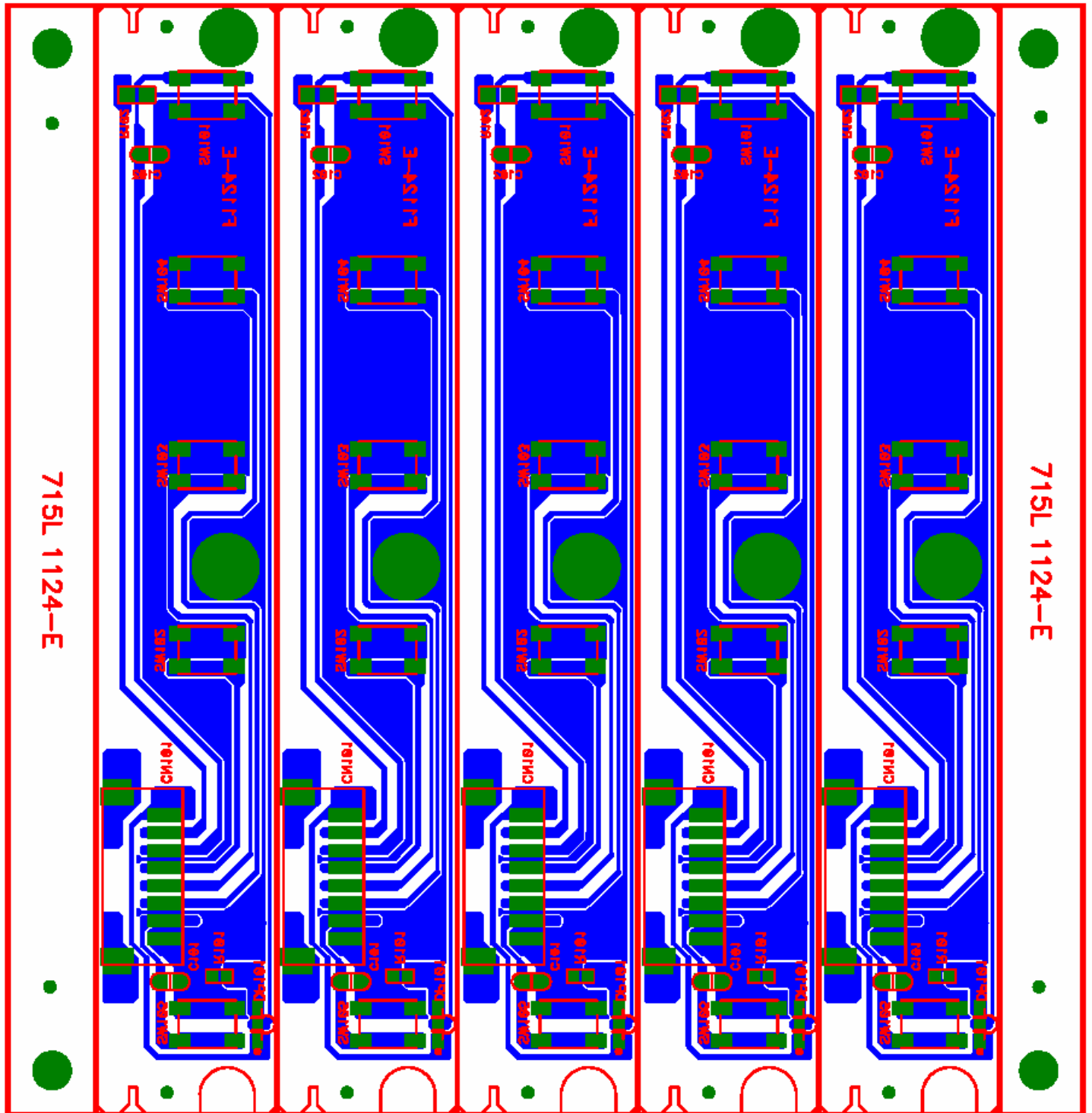




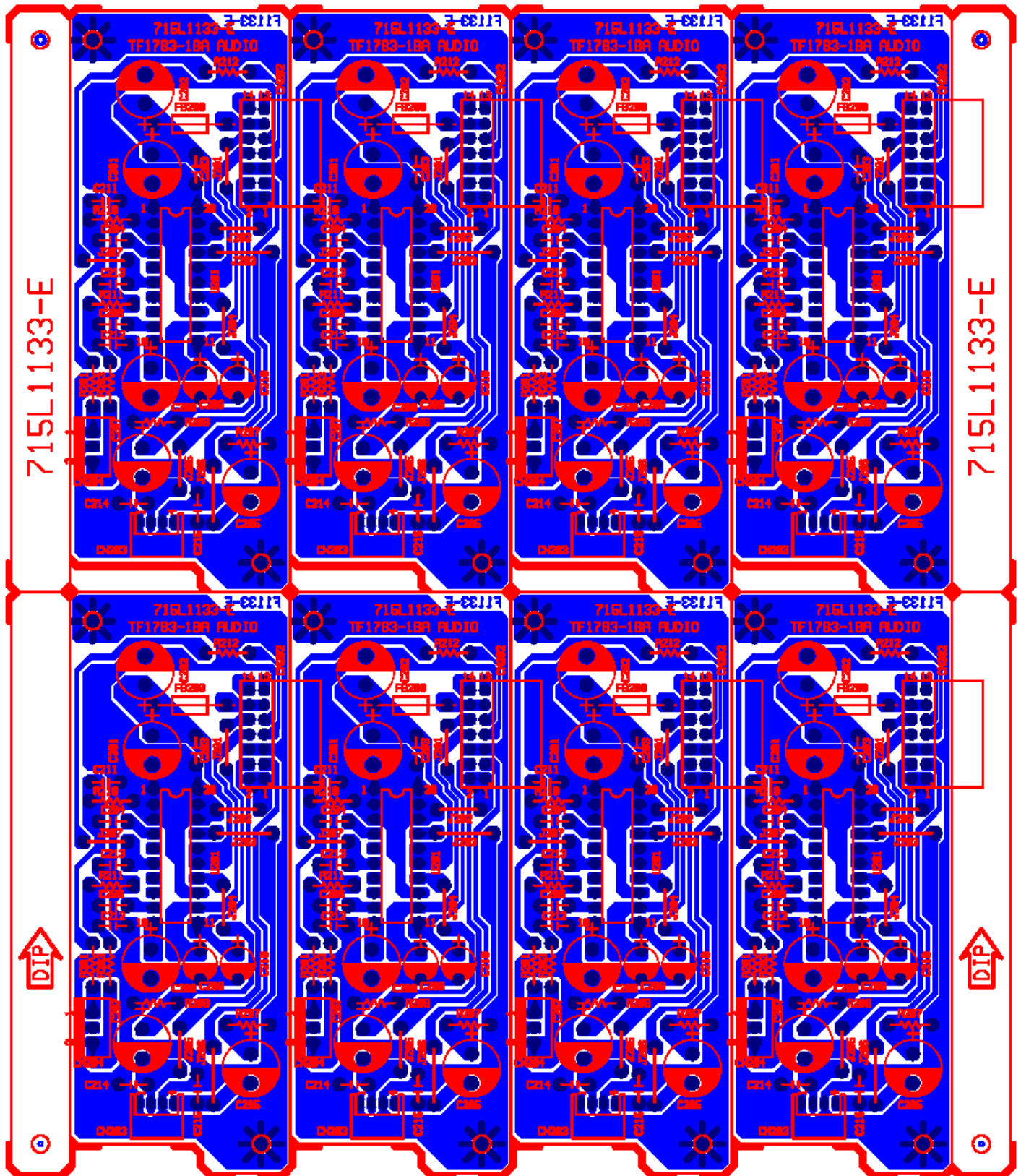


7.3 Keypad Board and Audio board

1. Keypad Board



2.Audio Board



8. Maintainability

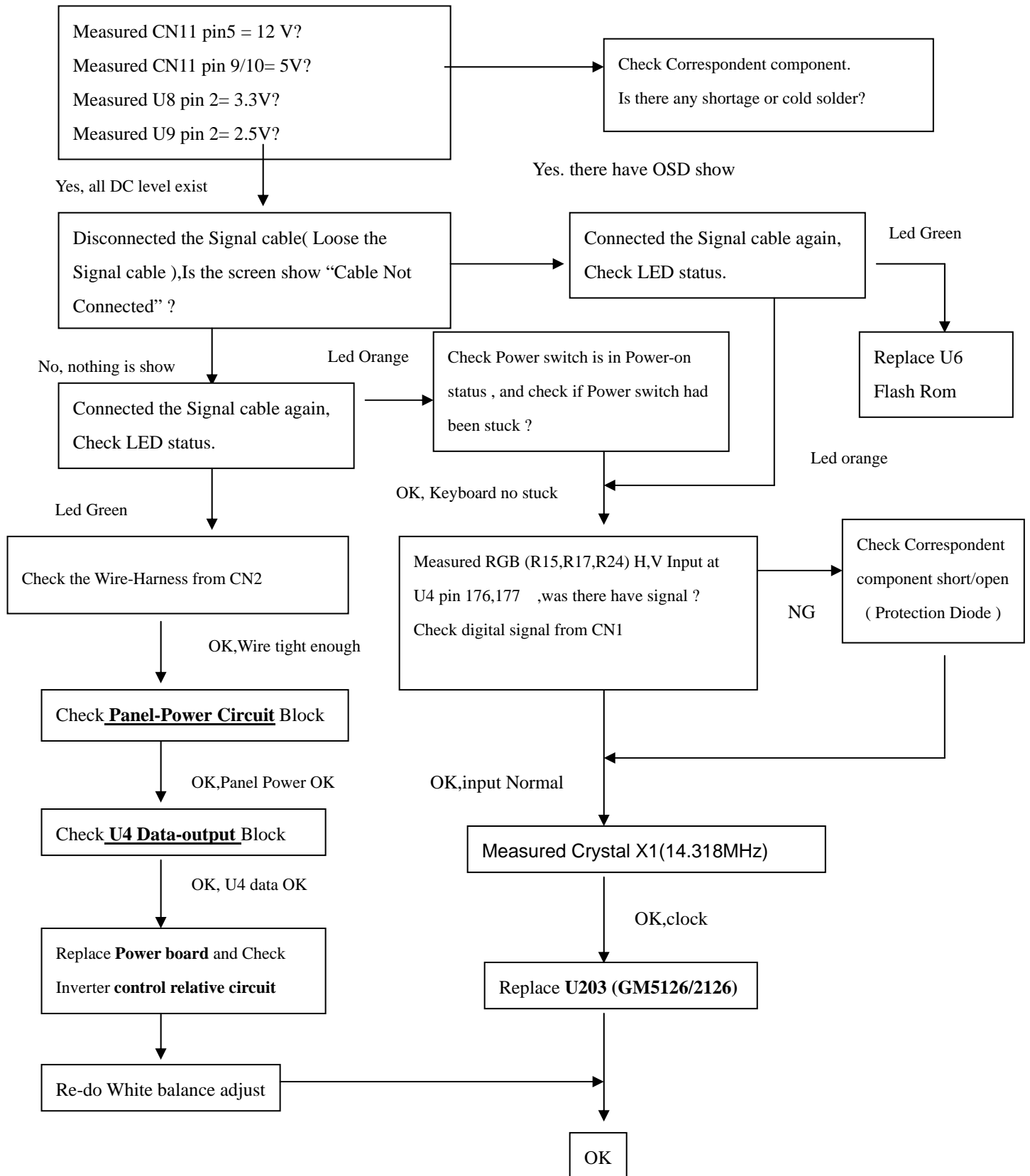
8.1 Equipments and Tools Requirement

- 1.) Voltmeter.
- 2.) Oscilloscope.
 - 1.) Pattern Generator.
 - 2.) DDC Tool with a IBM Compatible Computer.
 - 3.) Alignment Tool.
 - 4.) LCD Color Analyzer.
 - 5.) Service Manual.
 - 6.) User Manual.

8.2 Trouble Shooting

8.2.1 Main Board

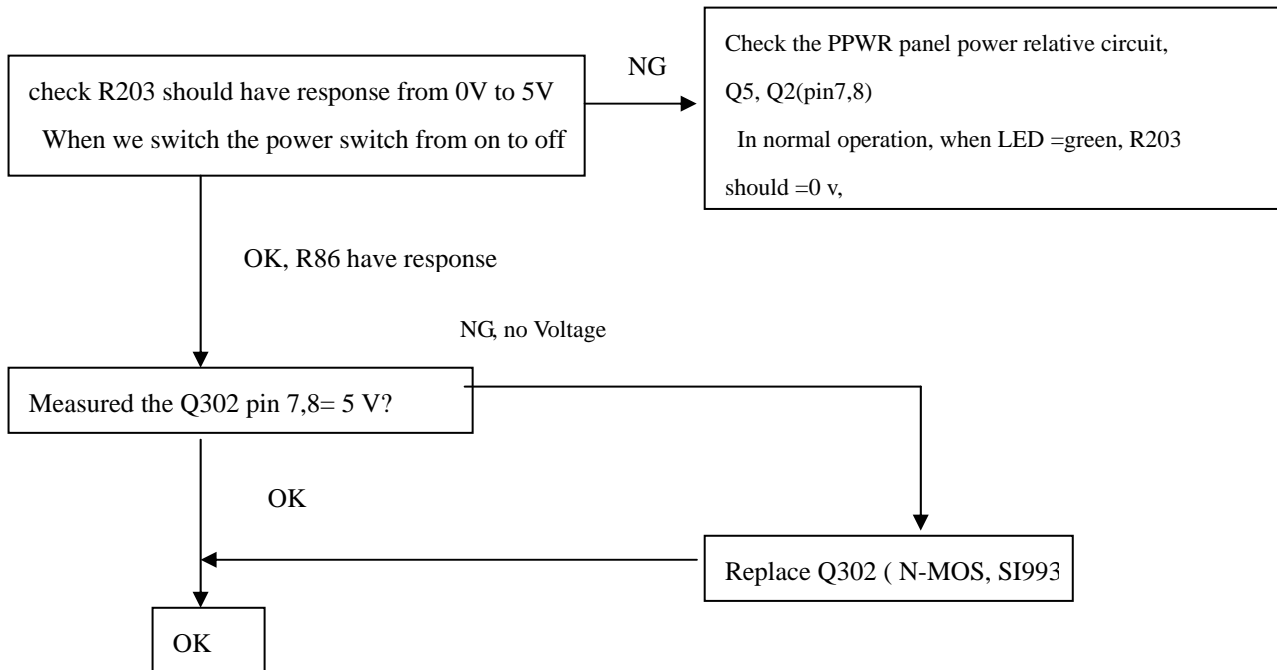
1.NO SCREEN APPEAR



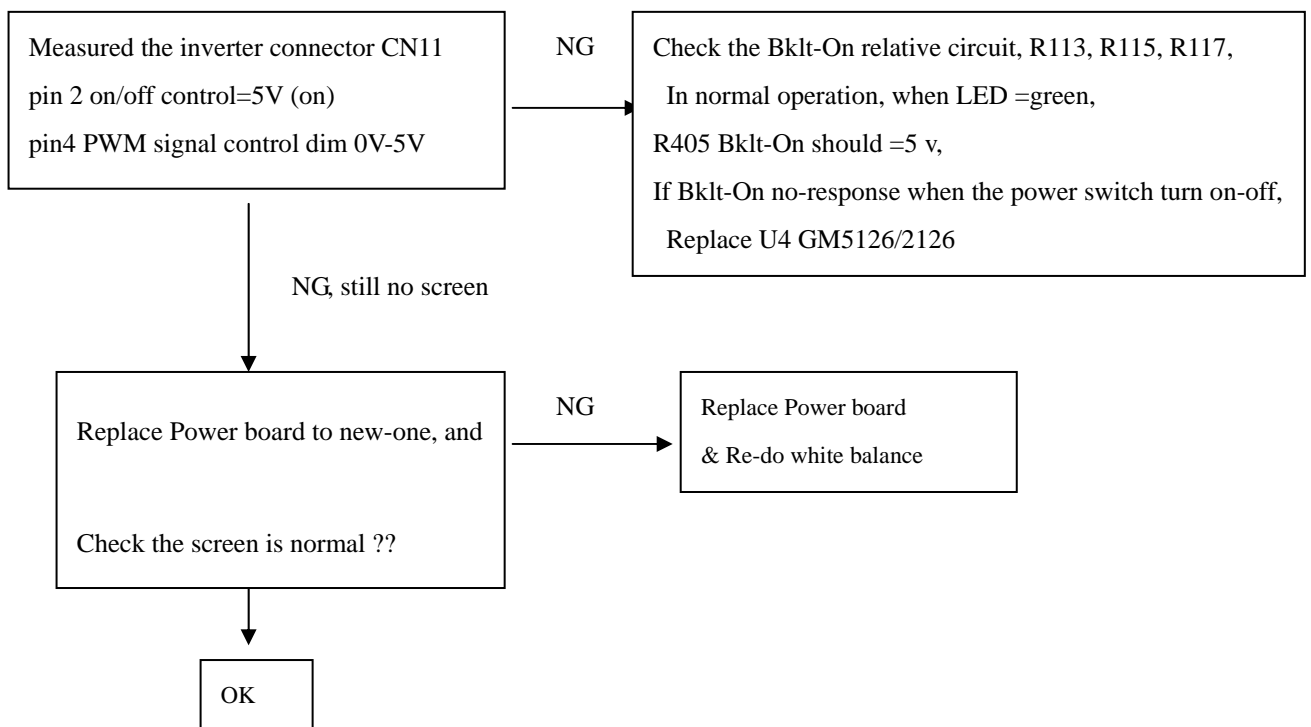
Note: 1. if Replace “MAIN-BOARD” , Please re-do “DDC-content” programmed & “WHITE-Balance”.

2. if Replace “Power Board” only, Please re-do “ WHITE-Balance”

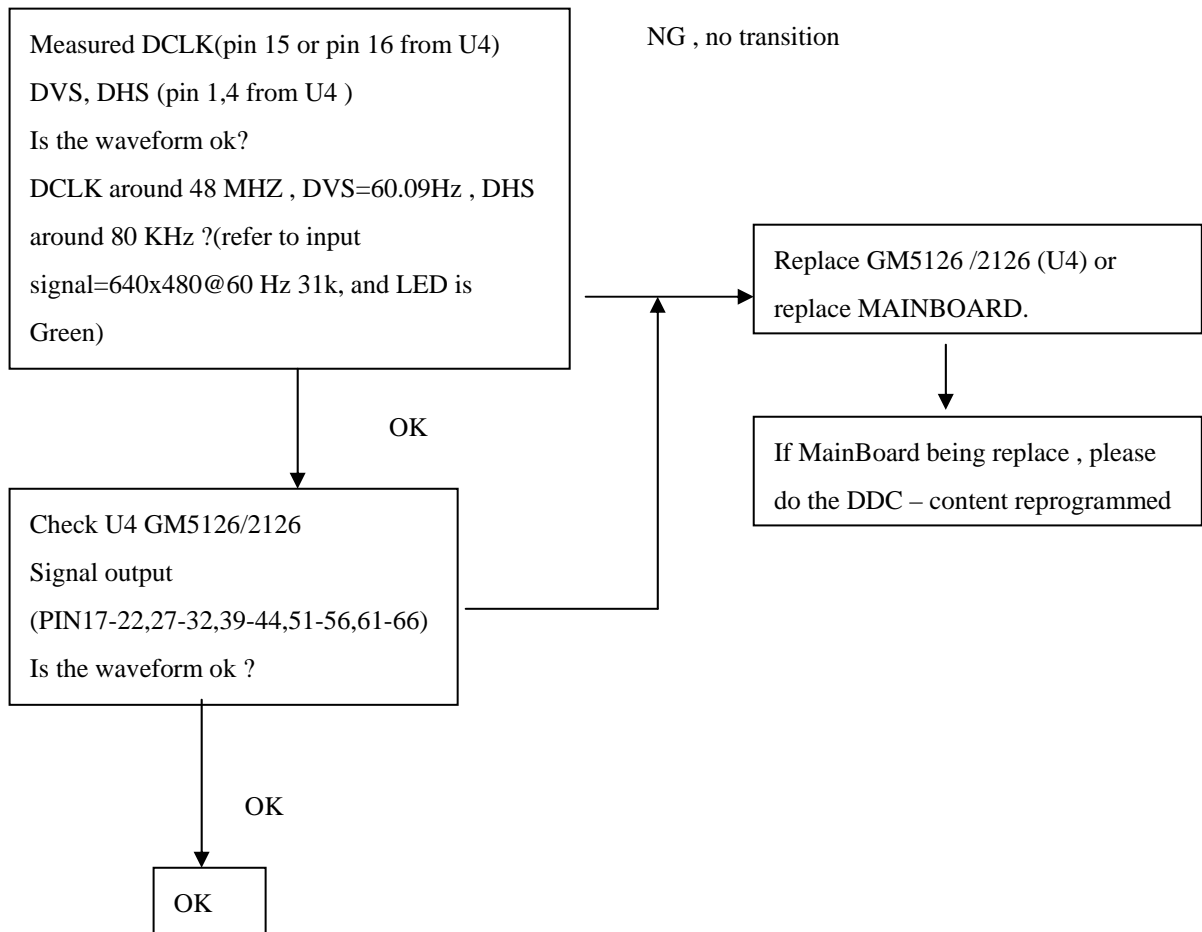
2.PANEL-POWER CIRCUIT



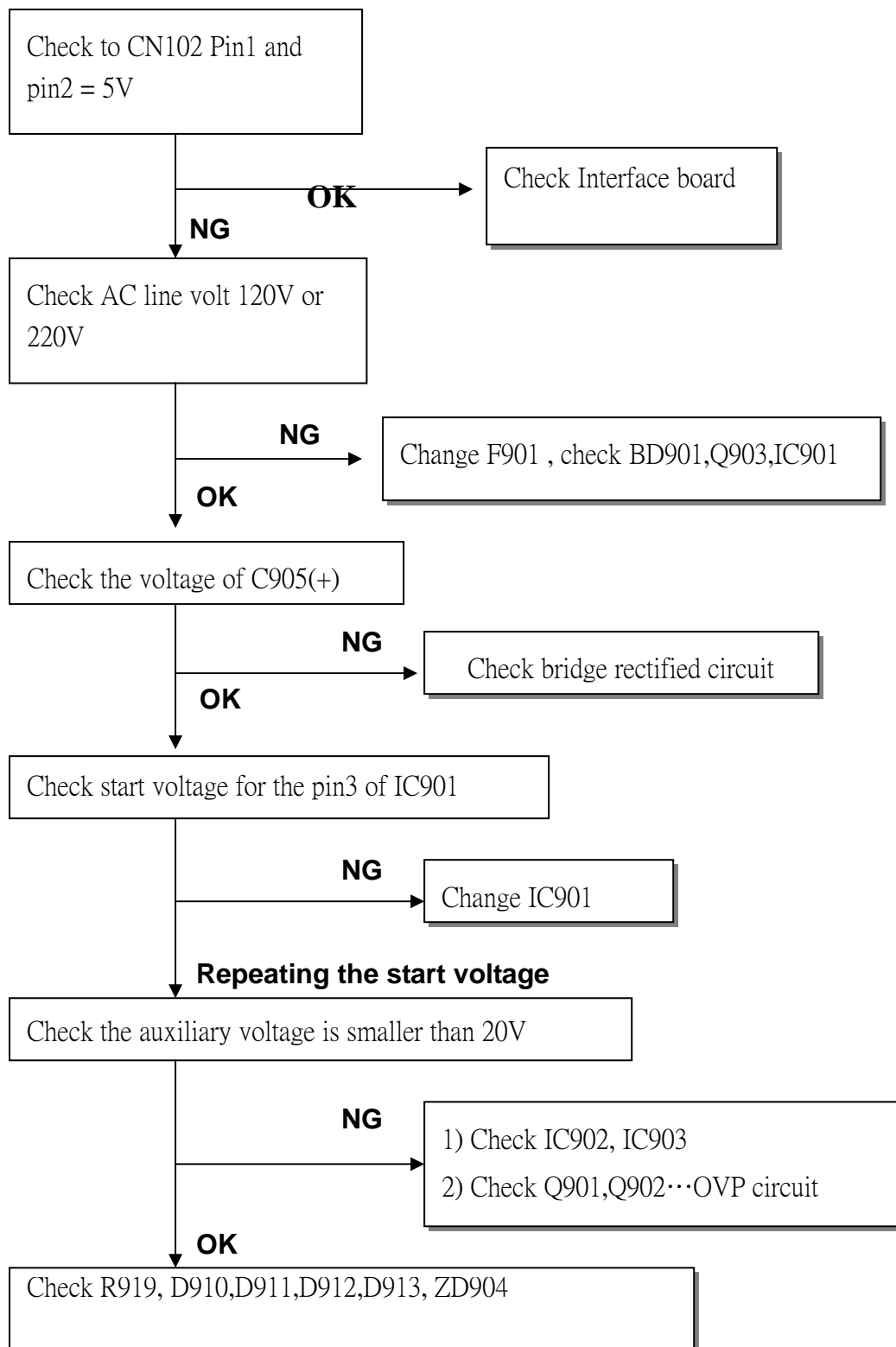
3.INVERTER Control Relative Circuit



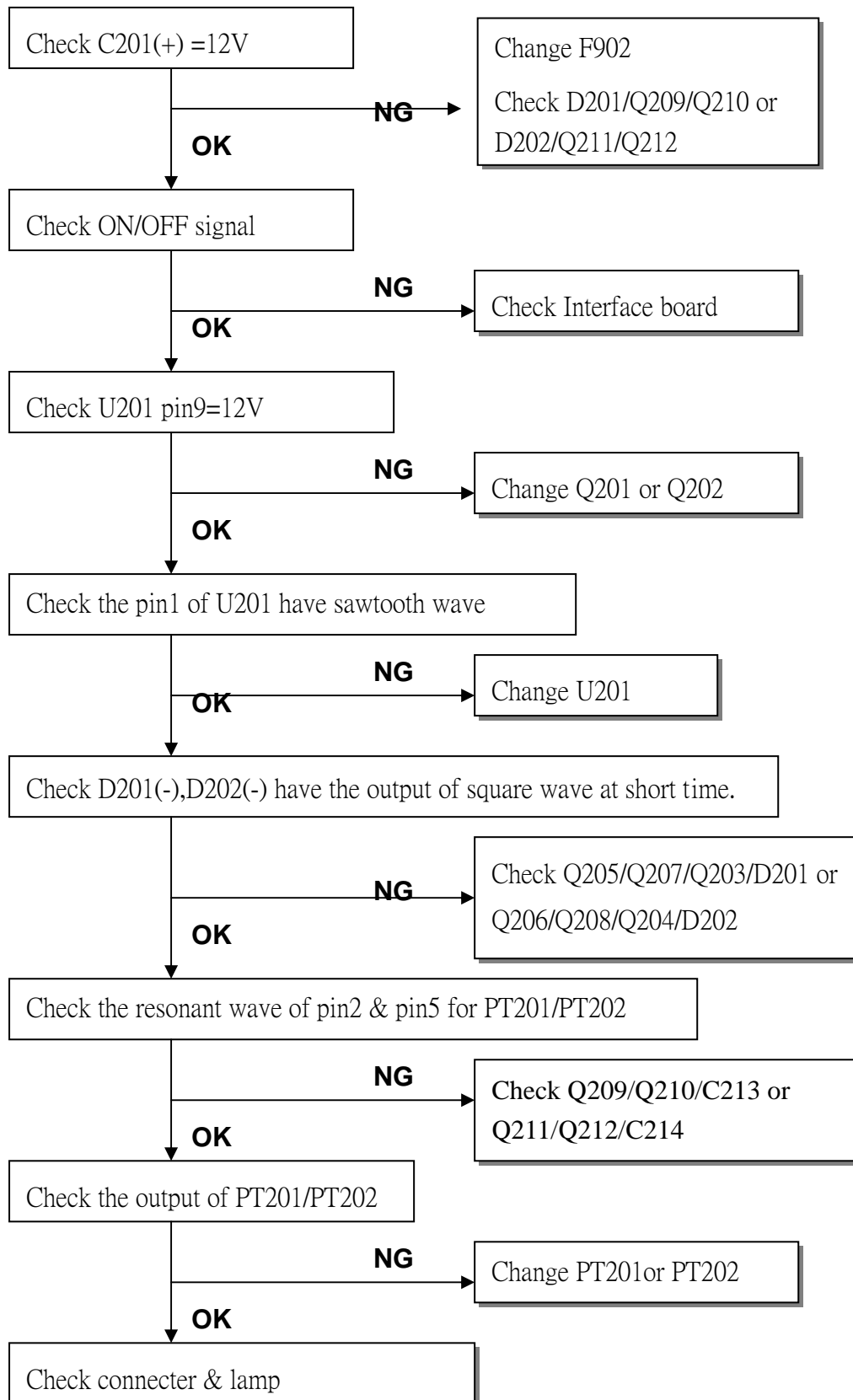
4.U4-DATA OUTPUT

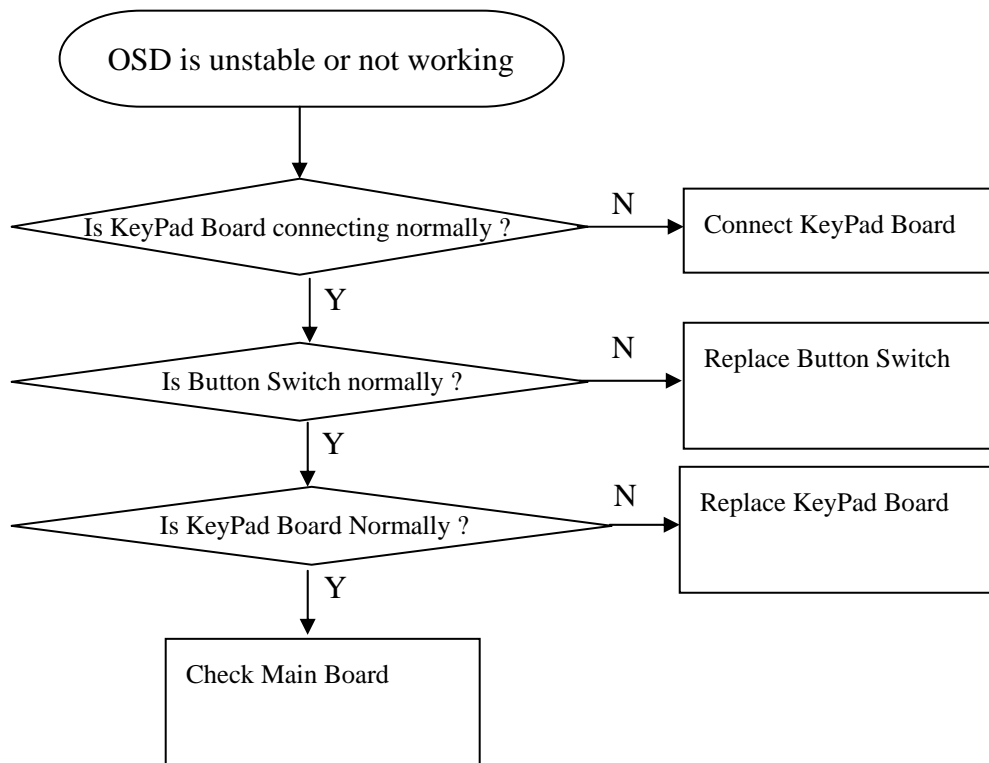


1.) No power



2.) W / LED , No Backlight





9. White-Balance, Luminance adjustment

Approximately 30 minutes should be allowed for warm up before proceeding white balance adjustment.

Before started adjust white balance ,please setting the Chroma-7120 **MEM. channel 1 to 6500** color, **MEM. channel 2 to 7800** color, (our 6500 parameter is $x = 313 \pm 10$, $y = 329 \pm 10$, $Y = 200 \pm 10$ cd/m²,



7800 parameter is $x = 296 \pm 10$, $y = 311 \pm 10$, $Y = 200 \pm 10$ cd/m²)

How to setting MEM.channel you can reference to chroma 7120 user guide or simple use “**SC**” key and “**NEXT**” key to modify xyY value and use “**ID**” key to modify the TEXT description

Following is the procedure to do white-balance adjust

Press MENU button during 2 seconds along with plug Power core will activate the factory mode, then MCU will do AUTO LEVEL automatically. Meanwhile press MENU the OSD screen will located at **left top of panel**.

I. Bias adjustment :

1. set the contrast  to 70.
2. adjust the **Brightness**  to 90.

II. Gain adjustment :

Move cursor to “-Factory-” and press MENU key

a. adjust 6500 color-temperature

- 1 Switch the chroma-7120 to **RGB-mode** (with press “MODE” button)
- 2 switch the MEM.channel to Channel 01 (with up or down arrow on chroma 7120)
- 3 The lcd-indicator on chroma 7120 will show $x = 313 \pm 10$, $y = 329 \pm 10$, $Y = 200 \pm 5$ cd/m²
- 4 Adjust the RED on OSD window until chroma 7120 indicator reached the value R=100
- 5 adjust the GREEN on OSD, until chroma 7120 indicator reached G=100
- 6 adjust the BLUE on OSD, until chroma 7120 indicator reached B=100
- 7 repeat above procedure (item 4,5,6) until chroma 7120 RGB value meet the tolerance =100±2
- 8 Press Exit on OSD window to save the adjustment result

b. adjust 7800 color-temperature

- 9 Switch the chroma-7120 to **RGB-mode** (with press “MODE” button)
- 10 switch the MEM.channel to Channel 02 (with up or down arrow on chroma 7120)
- 11 The lcd-indicator on chroma 7120 will show $x = 296 \pm 10$, $y = 311 \pm 10$, $Y = 200 \pm 5$ cd/m²
- 12 Adjust the RED on OSD window until chroma 7120 indicator reached the value R=100
- 13 adjust the GREEN on OSD, until chroma 7120 indicator reached G=100
- 14 adjust the BLUE on OSD, until chroma 7120 indicator reached B=100
- 15 repeat above procedure (item 12,13,14) until chroma 7120 RGB value meet the tolerance =100±2
- 16 Press Exit on OSD window to save the adjustment result

Turn the POWER-button off to on to quit from factory mode.

10. EDIT Content

A. D-SUB Connector (Analog)

	x0	x1	x2	x3	x4	x5	x6	x7	x8	x9	xA	xB	xC	xD	xE	xF
0	00	FF	FF	FF	FF	FF	FF	00	05	E3	84	A7	0B	95	0D	00
16	1D	0D	01	03	68	22	1B	78	2A	C0	F5	A3	57	4A	9C	23
32	11	4F	54	BF	EF	00	81	80	01	01	01	01	01	01	01	01
48	01	01	01	01	01	01	BC	34	00	98	51	00	2A	40	10	90
64	13	00	54	0E	11	00	00	1E	00	00	00	FF	00	31	32	33
80	34	35	36	37	38	39	30	31	32	33	00	00	00	FD	00	37
96	4B	1E	53	0E	00	0A	20	20	20	20	20	20	00	00	00	FC
112	00	41	4F	43	20	4C	4D	37	32	39	0A	20	20	20	00	23

Note: Byte 0C, 0D, 0E, 0F means Serial No. Byte 10, 11 means Manufacture Time. Byte 7F means checksum

B. DVI Connector (Digital)

	x0	x1	x2	x3	x4	x5	x6	x7	x8	x9	xA	xB	xC	xD	xE	xF
0	00	FF	FF	FF	FF	FF	FF	00	05	E3	84	A7	0B	95	0D	00
16	1D	00	01	03	80	22	1B	78	2A	C0	F5	A3	57	4A	9C	23
32	11	4F	54	BF	EF	00	81	80	01	01	01	01	01	01	01	01
48	01	01	01	01	01	01	BC	34	00	98	51	00	2A	40	10	90
64	13	00	54	0E	11	00	00	1E	00	00	00	FF	00	31	32	33
80	34	35	36	37	38	39	30	31	32	00	00	00	00	FD	00	37
96	4B	1E	53	0E	00	0A	20	20	20	20	20	20	00	00	00	FC
112	00	41	4F	43	20	4C	4D	37	32	39	0A	20	20	20	00	08

Note: Byte 0C, 0D, 0E, 0F means Serial No. Byte 10, 11 means Manufacture Time. Byte 7F means checksum

11. BOM List

	AUPC780A5	AUDIO BOARD	1 PCS
	CBPC780KACAC	CONVERSION BOARD	1 PCS
	CNPC780A2	CONVERSION BOARD	1 PCS
	KEPC780KB6	KEY BOARD	1 PCS
	PWPC7425B3	POWER BOARD	1 PCS
	12L 408 4	SR600A66	1 PCS
	15L5851500	MAIN FRAME	1 PCS
	15L5908 1	BRACKET	1 PCS
	26L 800504 7	BARCODE	1 PCS
	33L4642 GM L	BUTTON FUNC	1 PCS
	33L4643 1	LENS-POWER	1 PCS
	33L4645 GM L	COVER 2 VESA	1 PCS
	34L1190BGN B	BEZEL	1 PCS
	34L1191 GM 1B	REAR COVER	1 PCS
	40L 154501 1	HI-POT GND LABEL FOR MO	1 PCS
	40L 19061530A	ID LABEL	1 PCS
	40L 459615 1A	LM729 CAUTION LABEL	1 PCS
	40L 575 62	TC099 LABEL	1 PCS
	41L 68615 4B	TCO'99 CARD	1 PCS
	41L780061543A	QSG	1 PCS
	44L3231 15	EVA WASHER	2 PCS
	44L3718 1	EPS(L)	1 PCS
	44L3718 2	EPS(R)	1 PCS
	44L3718615 2A	CARTON	1 PCS
	45L 76 28 RN	pe bag for base/MANUAL	1 PCS
	45L 88500 1	PE BAG	0 PCS
	45L 88500 2	PE BAG	0 PCS
	45L 88606 S	PE BAG FOR BASE	1 PCS
	45L 88607	PE BAG FOR MONITOR	1 PCS
	45L 88609 B	EPE COVER	1 PCS
	45L 88621 4	PE BAY FOR LIFT	1 PCS
	50L 600 2	HANDLE1	1 PCS
	50L 600 3	HANDLE2	1 PCS
	52L 1150 C	WHITE TAPE	10 CM
	52L 1207 A	TAPE	1 PCS
	52L 1208 A	TAPE	3 PCS
	52L 1210602	SILIVER	1 PCS
	52L6020 1	PROTECT FILM	0 PCS
	52L6025 11522	MYLAR	1 PCS

	52L6025 11523	MYLAR	1PCS
	52L6025 11587	MYLAR 138X144	1PCS
	52L6025 11588	MYLAR 120X100	1PCS
	70L1600615 7A	CD MANUAL	1PCS
	71L 100 21	CORE	1PCS
	71L 100 22	M4S SH 23*12*3	1PCS
	85L 635500	SHIELD	1PCS
	89L 173 56 8	AUDIO CABLE 1800mm BLAC	1PCS
	89L 173L15 28	SIGNAL CABLE	1PCS
	89L 176 30 12	FFC CABLE 30P 100mm	1PCS
	89L 176 50 4	FPC	1PCS
	89L1745GAA 2	SIGNAL CABLE	1PCS
	89L404A18N IS	POWER CORD	1PCS
	95L8014 4 7	HARNESS	1PCS
	95L8014 16 4	HARNESS	1PCS
	95L8021 12 1	HARNESS 12P 60mm	1PCS
	M1L 130 6120	SCREW FOR PL/MF	1PCS
	M1L 140 10120	SCREW M4X10	4PCS
	M1L 330 4128	SCREW M3X4	1PCS
	M1L1130 6128	SCREW	4PCS
	M1L1130 6128	SCREW	4PCS
	M1L1130 6128	SCREW	4PCS
	M1L1140 6128	SCREW 4X6	1PCS
	M1L1430 6128	SCREW M3X6	2PCS
	Q1L 330 8120	SCREW 3X8mm	3PCS
	Q1L1030 8120	SCREW 3X8 NI	7PCS
	705L780KB34 28	CAB'T ASS'Y	1PCS
	750LLU70S05	LCD PANEL M170ES05	1PCS
	W33L4644AGM L	COVER VESA	1PCS
	AUPC780A5	AUDIO BOARD	
	AUPC780A5AI	AUDIO BOARD	1PCS
CN203	33L3802 4H	WAFER 4P RIGHT ANGLE	1PCS
CN202	33L800914K H	2*7PIN JUAL ROW RIGHT A	1PCS
U201	56L 616 1	TDA7496L BY ST	1PCS
	90L6059 1	HEAT SINK	1PCS
CN204	95L8014 3 9	HARNESS	1PCS
	AUPC780A5AI	AUDIO BOARD	
	715L1133 1	AUDIO BOARD	1PCS
J201	95L 90 23	TIN COATED	0PCS
J202	95L 90 23	TIN COATED	0PCS

J203	95L 90 23	TIN COATED	0PCS
J204	95L 90 23	TIN COATED	0PCS
R207	61L 60210252T	CFR 1K OHM+-5% 1/6W	1PCS
R208	61L 60210252T	CFR 1K OHM+-5% 1/6W	1PCS
R201	61L 60210352T	CFR 10K OHM+-5% 1/6W	1PCS
R203	61L 60210352T	CFR 10K OHM+-5% 1/6W	1PCS
R212	61L 60222452T	220KOHM 5% 1/6W	1PCS
J205	61L 60247052T	CFR 470HM +-5% 1/6W	1PCS
J206	61L 60247052T	CFR 470HM +-5% 1/6W	1PCS
R210	61L 60256252T	5.6KOHM 5% 1/6W	1PCS
R211	61L 60256252T	5.6KOHM 5% 1/6W	1PCS
FB200	71L 55 9 T	CORE RF BEAD RH3.5*6*0.	1PCS
C204	64L701J4740AT	0.47uF 50V	1PCS
C206	64L701J4740AT	0.47uF 50V	1PCS
C211	65L 444101 5T	100 PF 10% 50V Y5P	1PCS
C212	65L 444101 5T	100 PF 10% 50V Y5P	1PCS
C214	65L 444102 5T	1000PF 10% 50V CERAMIC	1PCS
C215	65L 444102 5T	1000PF 10% 50V CERAMIC	1PCS
C203	65L 444104 3T	0.1UF Z5U 50V	1PCS
C213	65L 444104 3T	0.1UF Z5U 50V	1PCS
C201	67L 305471 3T	470UF 16V	1PCS
C202	67L 305471 3T	470UF 16V	1PCS
C205	67L 305471 3T	470UF 16V	1PCS
C207	67L 305471 3T	470UF 16V	1PCS
C208	67L 305471 3T	470UF 16V	1PCS
C209	67L 309109 7T	1.0UF +-20% 50V	1PCS
C210	67L 309109 7T	1.0UF +-20% 50V	1PCS
	CBPC780KACAC	CONVERSION BOARD	
	AIC780KACAC	MAIN BOARD	1PCS
U4	19L 553 6		1PCS
CN11	33L800912L H	HEADER 2*6P	1PCS
CN601	33L8022 14 H	PIN EADER	1PCS
CN9	33L8027 16	WAFER 16PIN 2.0mm DIP	1PCS
	40L 457624 1B	CPU LABEL	1PCS
	40L 45762412A	CBPC LABEL	1PCS
	51L 6 4501	RTV	3G
U6	56L1133 42AN2	A290011TL-70	1PCS
CN2	88L 35315FHAS	D-SUB 15PIN	1PCS
CN1	88L 35424F HS	DVID CONN 24P	1PCS
	90L 372 1	HEAT SINK	1PCS

X1	93L 22 53	CRYSTAL 14.318MHZHC-49U	1PCS
	AIC780KACAC	MAIN BOARD	
CN5	33L8019 30	WAFER FH12-30S-0.5SH SM	1PCS
CN4	33L8019 50	CONNECTOR 50P	1PCS
U4	56L 562 37	GM5126	1PCS
U8	56L 563 25	AIC1084-33CE T0-252	1PCS
Q2	56L 566 12	A04801	1PCS
U9	56L 585 7	RT9164-25CL	1PCS
U7	56L1133 33	M24C16-MN6T	1PCS
U1	56L1133 34	M24C02-WMN6T SMT	1PCS
U2	56L1133 34	M24C02-WMN6T SMT	1PCS
U3	56L4LVC 14 P	74LVC14ADT	1PCS
Q5	57L 417 4	PMBS3904/PHILIPS-SMT(04	1PCS
RP2	61L 125103 8	CHIP AR 8P4R 10KOHM +-5	1PCS
FB1	61L0603000	CHIPR 00HM +-5% 1/16W	1PCS
FB2	61L0603000	CHIPR 00HM +-5% 1/16W	1PCS
FB3	61L0603000	CHIPR 00HM +-5% 1/16W	1PCS
R114	61L0603000	CHIPR 00HM +-5% 1/16W	1PCS
R118	61L0603000	CHIPR 00HM +-5% 1/16W	1PCS
R219	61L0603000	CHIPR 00HM +-5% 1/16W	1PCS
R223	61L0603000	CHIPR 00HM +-5% 1/16W	1PCS
R26	61L0603000	CHIPR 00HM +-5% 1/16W	1PCS
R39	61L0603000	CHIPR 00HM +-5% 1/16W	1PCS
R41	61L0603000	CHIPR 00HM +-5% 1/16W	1PCS
R59	61L0603000	CHIPR 00HM +-5% 1/16W	1PCS
R72	61L0603000	CHIPR 00HM +-5% 1/16W	1PCS
R73	61L0603000	CHIPR 00HM +-5% 1/16W	1PCS
R76	61L0603000	CHIPR 00HM +-5% 1/16W	1PCS
R10	61L0603101	CHIPR 100 OHM +-5% 1/16	1PCS
R15	61L0603101	CHIPR 100 OHM +-5% 1/16	1PCS
R16	61L0603101	CHIPR 100 OHM +-5% 1/16	1PCS
R17	61L0603101	CHIPR 100 OHM +-5% 1/16	1PCS
R18	61L0603101	CHIPR 100 OHM +-5% 1/16	1PCS
R24	61L0603101	CHIPR 100 OHM +-5% 1/16	1PCS
R27	61L0603101	CHIPR 100 OHM +-5% 1/16	1PCS
R5	61L0603101	CHIPR 100 OHM +-5% 1/16	1PCS
R6	61L0603101	CHIPR 100 OHM +-5% 1/16	1PCS
R8	61L0603101	CHIPR 100 OHM +-5% 1/16	1PCS
R117	61L0603102	CHIPR 1K OHM +-5% 1/16W	1PCS
R233	61L0603102	CHIPR 1K OHM +-5% 1/16W	1PCS

R4	61L0603102	CHIPR 1K OHM +-5% 1/16W	1PCS
R51	61L0603102	CHIPR 1K OHM +-5% 1/16W	1PCS
R11	61L0603103	CHIPR 10K OHM +-5% 1/16	1PCS
R12	61L0603103	CHIPR 10K OHM +-5% 1/16	1PCS
R20	61L0603103	CHIPR 10K OHM +-5% 1/16	1PCS
R201	61L0603103	CHIPR 10K OHM +-5% 1/16	1PCS
R21	61L0603103	CHIPR 10K OHM +-5% 1/16	1PCS
R225	61L0603103	CHIPR 10K OHM +-5% 1/16	1PCS
R230	61L0603103	CHIPR 10K OHM +-5% 1/16	1PCS
R231	61L0603103	CHIPR 10K OHM +-5% 1/16	1PCS
R232	61L0603103	CHIPR 10K OHM +-5% 1/16	1PCS
R3	61L0603103	CHIPR 10K OHM +-5% 1/16	1PCS
R33	61L0603103	CHIPR 10K OHM +-5% 1/16	1PCS
R53	61L0603103	CHIPR 10K OHM +-5% 1/16	1PCS
R56	61L0603103	CHIPR 10K OHM +-5% 1/16	1PCS
R57	61L0603103	CHIPR 10K OHM +-5% 1/16	1PCS
R64	61L0603103	CHIPR 10K OHM +-5% 1/16	1PCS
R65	61L0603103	CHIPR 10K OHM +-5% 1/16	1PCS
R66	61L0603103	CHIPR 10K OHM +-5% 1/16	1PCS
R67	61L0603103	CHIPR 10K OHM +-5% 1/16	1PCS
R70	61L0603103	CHIPR 10K OHM +-5% 1/16	1PCS
R71	61L0603103	CHIPR 10K OHM +-5% 1/16	1PCS
R94	61L0603103	CHIPR 10K OHM +-5% 1/16	1PCS
R200	61L0603104	CHIPR 100K OHM +-5% 1/1	1PCS
R203	61L0603104	CHIPR 100K OHM +-5% 1/1	1PCS
R34	61L0603202	CHIPR 2K OHM+-5% 1/16W	1PCS
R35	61L0603202	CHIPR 2K OHM+-5% 1/16W	1PCS
R52	61L0603220	CHIPR 22 OHM+-5% 1/16W	1PCS
R54	61L0603220	CHIPR 22 OHM+-5% 1/16W	1PCS
R55	61L0603220	CHIPR 22 OHM+-5% 1/16W	1PCS
R86	61L0603302	CHIPR 3K OHM +-5% 1/16W	1PCS
R1	61L0603470	CHIPR 47 OHM +-5% 1/16W	1PCS
R13	61L0603470	CHIPR 47 OHM +-5% 1/16W	1PCS
R14	61L0603470	CHIPR 47 OHM +-5% 1/16W	1PCS
R19	61L0603470	CHIPR 47 OHM +-5% 1/16W	1PCS
R2	61L0603470	CHIPR 47 OHM +-5% 1/16W	1PCS
R28	61L0603470	CHIPR 47 OHM +-5% 1/16W	1PCS
R113	61L0603472	CHIPR 4.7K OHM +-5% 1/1	1PCS
R115	61L0603472	CHIPR 4.7K OHM +-5% 1/1	1PCS
R32	61L0603472	CHIPR 4.7K OHM +-5% 1/1	1PCS

R46	61L0603472	CHIPR 4.7K OHM +-5% 1/1	1PCS
R38	61L0603750	CHIPR 75 OHM+-5% 1/16W	1PCS
R40	61L0603750	CHIPR 75 OHM+-5% 1/16W	1PCS
R29	61L0603750 9F	75OHM 1%	1PCS
R30	61L0603750 9F	75OHM 1%	1PCS
R31	61L0603750 9F	75OHM 1%	1PCS
FB15	61L0805000	CHIP 0 OHM 1/10W	1PCS
FB16	61L0805000	CHIP 0 OHM 1/10W	1PCS
FB17	61L0805000	CHIP 0 OHM 1/10W	1PCS
C10	65L0603103 32	0.01UF+-10% 50V X7R	1PCS
C11	65L0603103 32	0.01UF+-10% 50V X7R	1PCS
C14	65L0603103 32	0.01UF+-10% 50V X7R	1PCS
C15	65L0603103 32	0.01UF+-10% 50V X7R	1PCS
C7	65L0603103 32	0.01UF+-10% 50V X7R	1PCS
C8	65L0603103 32	0.01UF+-10% 50V X7R	1PCS
C119	65L0603104 12	0.1UF +-10% 16V X7R	1PCS
C12	65L0603104 12	0.1UF +-10% 16V X7R	1PCS
C121	65L0603104 12	0.1UF +-10% 16V X7R	1PCS
C124	65L0603104 12	0.1UF +-10% 16V X7R	1PCS
C125	65L0603104 12	0.1UF +-10% 16V X7R	1PCS
C17	65L0603104 12	0.1UF +-10% 16V X7R	1PCS
C201	65L0603104 12	0.1UF +-10% 16V X7R	1PCS
C24	65L0603104 12	0.1UF +-10% 16V X7R	1PCS
C25	65L0603104 12	0.1UF +-10% 16V X7R	1PCS
C27	65L0603104 12	0.1UF +-10% 16V X7R	1PCS
C28	65L0603104 12	0.1UF +-10% 16V X7R	1PCS
C29	65L0603104 12	0.1UF +-10% 16V X7R	1PCS
C30	65L0603104 12	0.1UF +-10% 16V X7R	1PCS
C31	65L0603104 12	0.1UF +-10% 16V X7R	1PCS
C32	65L0603104 12	0.1UF +-10% 16V X7R	1PCS
C33	65L0603104 12	0.1UF +-10% 16V X7R	1PCS
C34	65L0603104 12	0.1UF +-10% 16V X7R	1PCS
C37	65L0603104 12	0.1UF +-10% 16V X7R	1PCS
C38	65L0603104 12	0.1UF +-10% 16V X7R	1PCS
C39	65L0603104 12	0.1UF +-10% 16V X7R	1PCS
C40	65L0603104 12	0.1UF +-10% 16V X7R	1PCS
C41	65L0603104 12	0.1UF +-10% 16V X7R	1PCS
C42	65L0603104 12	0.1UF +-10% 16V X7R	1PCS
C43	65L0603104 12	0.1UF +-10% 16V X7R	1PCS
C44	65L0603104 12	0.1UF +-10% 16V X7R	1PCS

C45	65L0603104 12	0.1UF +-10% 16V X7R	1PCS
C46	65L0603104 12	0.1UF +-10% 16V X7R	1PCS
C47	65L0603104 12	0.1UF +-10% 16V X7R	1PCS
C5	65L0603104 12	0.1UF +-10% 16V X7R	1PCS
C50	65L0603104 12	0.1UF +-10% 16V X7R	1PCS
C51	65L0603104 12	0.1UF +-10% 16V X7R	1PCS
C52	65L0603104 12	0.1UF +-10% 16V X7R	1PCS
C53	65L0603104 12	0.1UF +-10% 16V X7R	1PCS
C54	65L0603104 12	0.1UF +-10% 16V X7R	1PCS
C55	65L0603104 12	0.1UF +-10% 16V X7R	1PCS
C58	65L0603104 12	0.1UF +-10% 16V X7R	1PCS
C59	65L0603104 12	0.1UF +-10% 16V X7R	1PCS
C6	65L0603104 12	0.1UF +-10% 16V X7R	1PCS
C60	65L0603104 12	0.1UF +-10% 16V X7R	1PCS
C61	65L0603104 12	0.1UF +-10% 16V X7R	1PCS
C62	65L0603104 12	0.1UF +-10% 16V X7R	1PCS
C65	65L0603104 12	0.1UF +-10% 16V X7R	1PCS
C71	65L0603104 12	0.1UF +-10% 16V X7R	1PCS
C72	65L0603104 12	0.1UF +-10% 16V X7R	1PCS
C83	65L0603104 32	CHIP 0.1UF 50V X7R	1PCS
C84	65L0603104 32	CHIP 0.1UF 50V X7R	1PCS
C85	65L0603104 32	CHIP 0.1UF 50V X7R	1PCS
C88	65L0603104 32	CHIP 0.1UF 50V X7R	1PCS
C96	65L0603104 32	CHIP 0.1UF 50V X7R	1PCS
C97	65L0603104 32	CHIP 0.1UF 50V X7R	1PCS
C98	65L0603104 32	CHIP 0.1UF 50V X7R	1PCS
C82	65L0603104 37	CHIP 0.1UF 50V/Y5V	1PCS
C68	65L0603509 31	CHIP 5PF+-0.5PF 50V NPO	1PCS
C69	65L0603509 31	CHIP 5PF+-0.5PF 50V NPO	1PCS
C111	67L 312101 3	SMD 100UF +-20% 16V	1PCS
C117	67L 312101 3	SMD 100UF +-20% 16V	1PCS
C120	67L 312101 3	SMD 100UF +-20% 16V	1PCS
C126	67L 312101 3	SMD 100UF +-20% 16V	1PCS
C73	67L 312101 3	SMD 100UF +-20% 16V	1PCS
C205	67L 312109 3	SMD 1.0UF+-20% 16V	1PCS
C230	67L 312109 3	SMD 1.0UF+-20% 16V	1PCS
C231	67L 312109 3	SMD 1.0UF+-20% 16V	1PCS
C127	67L 312220 3	SMD 22UF +-20% 16V	1PCS
C23	67L 312220 3	SMD 22UF +-20% 16V	1PCS
C36	67L 312220 3	SMD 22UF +-20% 16V	1PCS

C48	67L 312220 3	SMD 22UF +-20% 16V	1PCS
C49	67L 312220 3	SMD 22UF +-20% 16V	1PCS
C57	67L 312220 3	SMD 22UF +-20% 16V	1PCS
C64	67L 312220 3	SMD 22UF +-20% 16V	1PCS
C70	67L 312220 3	SMD 22UF +-20% 16V	1PCS
RP3	71L 56A301 8K	300 BEAD	1PCS
FB12	71L 56B221	CHIP BEAD 220 OHM TB201	1PCS
FB10	71L 56Z601	CHIP BEAD 600 OHM 0805	1PCS
FB18	71L 56Z601	CHIP BEAD 600 OHM 0805	1PCS
FB19	71L 56Z601	CHIP BEAD 600 OHM 0805	1PCS
FB4	71L 56Z601	CHIP BEAD 600 OHM 0805	1PCS
FB5	71L 56Z601	CHIP BEAD 600 OHM 0805	1PCS
FB6	71L 56Z601	CHIP BEAD 600 OHM 0805	1PCS
FB7	71L 56Z601	CHIP BEAD 600 OHM 0805	1PCS
FB8	71L 56Z601	CHIP BEAD 600 OHM 0805	1PCS
FB9	71L 56Z601	CHIP BEAD 600 OHM 0805	1PCS
R87	71L 59G300	30 BEAD	1PCS
R88	71L 59G300	30 BEAD	1PCS
R89	71L 59G300	30 BEAD	1PCS
R92	71L 59G300	30 BEAD	1PCS
R23	71L 59G301	CHIP BEAD 3000HM	1PCS
R50	71L 59G301	CHIP BEAD 3000HM	1PCS
R69	71L 59G301	CHIP BEAD 3000HM	1PCS
R7	71L 59G301	CHIP BEAD 3000HM	1PCS
R75	71L 59G301	CHIP BEAD 3000HM	1PCS
R90	71L 59G301	CHIP BEAD 3000HM	1PCS
R91	71L 59G301	CHIP BEAD 3000HM	1PCS
R95	71L 59G301	CHIP BEAD 3000HM	1PCS
U6	87L 202 32	PLCC CONN 32PIN	1PCS
ZD4	93L 39147	TZMC5V6-GS08	0PCS
ZD5	93L 39147	TZMC5V6-GS08	0PCS
ZD1	93L 39149	MLL5232B BY FULL POWER	0PCS
ZD2	93L 39149	MLL5232B BY FULL POWER	0PCS
ZD3	93L 39149	MLL5232B BY FULL POWER	0PCS
ZD6	93L 39149	MLL5232B BY FULL POWER	0PCS
ZD7	93L 39149	MLL5232B BY FULL POWER	0PCS
ZD8	93L 39149	MLL5232B BY FULL POWER	0PCS
ZD9	93L 39149	MLL5232B BY FULL POWER	0PCS
ZD1	93L 39151	MMSZ5248B-SMT	1PCS
ZD2	93L 39151	MMSZ5248B-SMT	1PCS

ZD3	93L 39151	MMSZ5248B-SMT	1PCS
ZD4	93L 39151	MMSZ5248B-SMT	1PCS
ZD5	93L 39151	MMSZ5248B-SMT	1PCS
ZD6	93L 39151	MMSZ5248B-SMT	1PCS
ZD7	93L 39151	MMSZ5248B-SMT	1PCS
ZD8	93L 39151	MMSZ5248B-SMT	1PCS
ZD9	93L 39151	MMSZ5248B-SMT	1PCS
D13	93L 60230	BAT54C(L43)	1PCS
D9	93L 60230	BAT54C(L43)	1PCS
D14	93L 64 32	LL4148 SMD	0PCS
D20	93L 64 32	LL4148 SMD	0PCS
D21	93L 64 32	LL4148 SMD	0PCS
D14	93L 6432V	LL4148-GS08	1PCS
D20	93L 6432V	LL4148-GS08	1PCS
D21	93L 6432V	LL4148-GS08	1PCS
D10	93L 6433P	BAV99-SMT	1PCS
D11	93L 6433P	BAV99-SMT	1PCS
D12	93L 6433P	BAV99-SMT	1PCS
D15	93L1004 3	SS14	1PCS
D16	93L1020 1 S	GS1D	1PCS
	715L1100 F	MAIN BOARD	1PCS
	CNPC780A2	CONVERSION BOARD	
	CNPC780A2AI	CONVERSION BOARD	1PCS
CN302	33L3802 2H	WAFER 2P RIGHT ANGLE	1PCS
CN303	33L3802 2H	WAFER 2P RIGHT ANGLE	1PCS
CN301	33L3802 4H	WAFER 4P RIGHT ANGLE	1PCS
	CNPC780A2AI	CONVERSION BOARD	
	715L1131 1 17	PCB	1PCS
FB301	71L 55 9 T	CORE RF BEAD RH3.5*6*0.	1PCS
FB302	71L 55 9 T	CORE RF BEAD RH3.5*6*0.	1PCS
FB303	71L 55 9 T	CORE RF BEAD RH3.5*6*0.	1PCS
FB304	71L 55 9 T	CORE RF BEAD RH3.5*6*0.	1PCS
	KEPC780KB6	KEY BOARD	
	AIK780KB6SMT	KEY BOARD FOR T780K SMT	1pcs
	AIK780KB6SMT	KEY BOARD FOR T780K	
CN101	33L8023 8	WAFER 8P 2.5mm SMD SMT	1PCS
R101	61L0603101	CHIPR 100 OHM +-5% 1/16	1pcs
R102	61L0805000	CHIP 0 OHM 1/10W	1PCS
C101	65L0805102 32	CHIP 1000P 50VX7R 0805	1PCS
C102	65L0805102 32	CHIP 1000P 50VX7R 0805	1PCS

SW101	77L 604 1 T0	CHIP TACT SW	1 pcs
SW102	77L 604 1 T0	CHIP TACT SW	1 pcs
SW103	77L 604 1 T0	CHIP TACT SW	1 pcs
SW104	77L 604 1 T0	CHIP TACT SW	1 pcs
SW105	77L 604 1 T0	CHIP TACT SW	1 pcs
DP101	81L 14 4 HL	MAB10-1104GYC-C	1 PCS
	715L1124 1	KEY BOARD	1 PCS
	PWPC7425B3	POWER BOARD	
	PWPC7425B3AI	POWER ASS'Y FOR AI	1 PCS
	PWPC7425B3SMT	POWER ASS'Y FOR SMT	1 PCS
CN302	33L3278 3	3P PLUG B3B-XHA/JST	1 PCS
CN102	33L800912A	HEADER 2*6P	1 PCS
CN209	33L8020 4D E	CONN.4P DIP BY E&T	0 PCS
CN210	33L8020 4D E	CONN.4P DIP BY E&T	0 PCS
CN209	33L8020 4D AC	CONN.4P DIP BY ACES	1 PCS
CN210	33L8020 4D AC	CONN.4P DIP BY ACES	1 PCS
	40L 45762412A	CBPC LABEL	1 PCS
	51L 6 4500	RTV	2G
IC902	56L 139 3	PC123FY2 BY SHARP	0 PCS
IC902	56L 139 3B	PC123 Y82	1 PCS
IC901	56L 379 32	SG6841D BY SYSTEM	1 PCS
Q209	57L 761 6	2SC5706 DIP SANYO	1 PCS
Q210	57L 761 6	2SC5706 DIP SANYO	1 PCS
Q211	57L 761 6	2SC5706 DIP SANYO	1 PCS
Q212	57L 761 6	2SC5706 DIP SANYO	1 PCS
R919	61L 2J39864B	0.39OHM 5% 2W	1 PCS
NR901	61L 58080 WT	8 OHM NCTR	1 PCS
R903	61L152M104 64	100KOHM 5% 2W	1 PCS
C904	63L 107474 5S	0.47UF +-10% 250VAC	0 PCS
C904	63L 107474 HS	0.47UF +-10% 250VAC	1 PCS
C904	63L 10747410S	0.47UF +-10% 250VAC	0 PCS
C213	63L210J2242A2	PMS 0.22UF 250V	1 PCS
C214	63L210J2242A2	PMS 0.22UF 250V	1 PCS
C213	64L180J224AAT	CAP 0.22UF 160V R79	0 PCS
C214	64L180J224AAT	CAP 0.22UF 160V R79	0 PCS
C906	65L 2K152 5E6052	1500 PF 10% 2KV Y5P	0 PCS
C906	65L 2K152 5E6285	1500 PF 10% 2KV Y5P	0 PCS
C906	65L 2K152 5E6921	1500 PF 10% 2KV Y5P	1 PCS
C215	65L 3J2206EM	22PF 5% 3KV MURATA	0 PCS
C218	65L 3J2206EM	22PF 5% 3KV MURATA	0 PCS

C227	65L 3J2206EM	22PF 5% 3KV MURATA	0PCS
C229	65L 3J2206EM	22PF 5% 3KV MURATA	0PCS
C215	65L 3J2206ET	22PF 5% 3KV TDK	1PCS
C218	65L 3J2206ET	22PF 5% 3KV TDK	1PCS
C227	65L 3J2206ET	22PF 5% 3KV TDK	1PCS
C229	65L 3J2206ET	22PF 5% 3KV TDK	1PCS
C901	65L305M2222B2	2200PF 400VAC/250VAC	0PCS
C902	65L305M2222B2	2200PF 400VAC/250VAC	0PCS
C901	65L305M2222E3	2200PF+-20%400VAC BY TD	1PCS
C902	65L305M2222E3	2200PF+-20%400VAC BY TD	1PCS
C901	65L305M2222EM	2200PF+-20% 250VAC/400V	0PCS
C902	65L305M2222EM	2200PF+-20% 250VAC/400V	0PCS
C913	65L306M472 2B	4700PF 400V 20% Y1-CAP	0PCS
C913	65L306M4722B2	4700PF +-20% 400VAC Y1	1PCS
C922	67L 215102 3H	1000UF +-20% 16V	1PCS
C925	67L 215102 3H	1000UF +-20% 16V	1PCS
C922	67L 215102 3K	1000UF +-20% 16V	0PCS
C925	67L 215102 3K	1000UF +-20% 16V	0PCS
C905	67L305S10114H	100UF +-20% 400V	1PCS
FB901	71L 55 29	FERRITE BEAD	1PCS
L902	73L 174 26 LS	COMMON CHOKE	0PCS
L902	73L 174 26 T1	LINE LILTER 0.45mm	1PCS
L903	73L 253 91 L	CHOKE BY LI TA	1PCS
L904	73L 253 91 L	CHOKE BY LI TA	1PCS
L903	73L 253 91 LS	CHOKE BY LI SHIN	0PCS
L904	73L 253 91 LS	CHOKE BY LI SHIN	0PCS
L201	73L 253139 L	CHOKE	1PCS
L202	73L 253139 L	CHOKE	1PCS
L201	73L 253139 LS	CHOKE	0PCS
L202	73L 253139 LS	CHOKE	0PCS
L201	73L 253139 YS	CHOKE	0PCS
L202	73L 253139 YS	CHOKE	0PCS
PT201	80LL15T 7 DN	X'FMR	0PCS
PT202	80LL15T 7 DN	X'FMR	0PCS
PT201	80LL15T 7 YS	X'FMR	1PCS
PT202	80LL15T 7 YS	X'FMR	1PCS
T901	80LL17T 2 L	ADAPTOR BY LITAI	0PCS
T901	80LL17T 2 T	X'FMR	1PCS
T901	80LL17T 2 LS	ADAPTOR BY LISHIN	0PCS
F901	84L 53 1	FUSE 2A 250V LF-230002	1PCS

F901	84L 7H200 NL	5.2X20 FUSE	0PCS
F901	84L 7H200 SL	250V/2A LIHEL FUSE	0PCS
CN301	88L 30210K E	PHONE JACK	1PCS
BD901	93L 50460 8	BRIDGE 2KBP06M	1PCS
	705L 780 57 01	Q903 ASS'Y	1PCS
	705L 780 57 02	CN901 ASS'Y	1PCS
	705L 780 57 15	D910/D912 ASS'Y	1PCS
	PWPC7425B3AI	POWER ASS'Y FOR AI	
PT201	6L 31502	1.5MM RIVET	2PCS
PT202	6L 31502	1.5MM RIVET	2PCS
	715L1103 D	PCB	1PCS
FB399	95L 90 23	TIN COATED	0PCS
FB903	95L 90 23	TIN COATED	0PCS
J201	95L 90 23	TIN COATED	0PCS
J202	95L 90 23	TIN COATED	0PCS
J203	95L 90 23	TIN COATED	0PCS
J204	95L 90 23	TIN COATED	0PCS
J205	95L 90 23	TIN COATED	0PCS
J206	95L 90 23	TIN COATED	0PCS
J207	95L 90 23	TIN COATED	0PCS
J208	95L 90 23	TIN COATED	0PCS
J209	95L 90 23	TIN COATED	0PCS
J210	95L 90 23	TIN COATED	0PCS
J211	95L 90 23	TIN COATED	0PCS
J212	95L 90 23	TIN COATED	0PCS
J901	95L 90 23	TIN COATED	0PCS
J902	95L 90 23	TIN COATED	0PCS
J903	95L 90 23	TIN COATED	0PCS
J904	95L 90 23	TIN COATED	0PCS
J905	95L 90 23	TIN COATED	0PCS
J906	95L 90 23	TIN COATED	0PCS
J907	95L 90 23	TIN COATED	0PCS
J908	95L 90 23	TIN COATED	0PCS
J909	95L 90 23	TIN COATED	0PCS
J910	95L 90 23	TIN COATED	0PCS
J911	95L 90 23	TIN COATED	0PCS
JL2031	95L 90 23	TIN COATED	0PCS
JL2032	95L 90 23	TIN COATED	0PCS
JL2041	95L 90 23	TIN COATED	0PCS
JL2042	95L 90 23	TIN COATED	0PCS

R917	61L 17210052T	100HM 5% 1/4W	1PCS
R243	61L 17210252T	1K OHM 5% 1/4W	1PCS
R244	61L 17210252T	1K OHM 5% 1/4W	1PCS
R918	61L 17210352T	CFR 10KOHM +-5% 1/4W	1PCS
R920	61L 17247052T	470HM 5% 1/4W	1PCS
R922	61L 17247052T	470HM 5% 1/4W	1PCS
R908	61L 17268952T	6.80HM 5% 1/4W	1PCS
R218	61L 60210152T	1000HM +- 5% 1/6W	1PCS
R219	61L 60210152T	1000HM +- 5% 1/6W	1PCS
R232	61L 60210252T	CFR 1K OHM+-5% 1/6W	1PCS
R233	61L 60210252T	CFR 1K OHM+-5% 1/6W	1PCS
R202	61L 60210352T	CFR 10K OHM+-5% 1/6W	1PCS
R203	61L 60210352T	CFR 10K OHM+-5% 1/6W	1PCS
R204	61L 60210352T	CFR 10K OHM+-5% 1/6W	1PCS
R222	61L 60212352T	12KOHM 5% 1/6W	1PCS
R223	61L 60212352T	12KOHM 5% 1/6W	1PCS
R238	61L 60212352T	12KOHM 5% 1/6W	1PCS
R239	61L 60212352T	12KOHM 5% 1/6W	1PCS
R210	61L 60215352T	15KOHM 5% 1/6W	1PCS
R211	61L 60215352T	15KOHM 5% 1/6W	1PCS
R220	61L 60215352T	15KOHM 5% 1/6W	1PCS
R221	61L 60215352T	15KOHM 5% 1/6W	1PCS
R214	61L 60222252T	2.2K 5% 1/6W	1PCS
R215	61L 60222252T	2.2K 5% 1/6W	1PCS
R201	61L 60230352T	30KOHM 5% 1/6W	1PCS
R205	61L 60247352T	47KOHM 5% 1/6W	1PCS
R206	61L 60247352T	47KOHM 5% 1/6W	1PCS
R240	61L 60251352T	51KOHM +-5% 1/6W	1PCS
R241	61L 60251352T	51KOHM +-5% 1/6W	1PCS
R236	61L 60262152T	620 OHM 5% 1/6W	1PCS
R237	61L 60262152T	620 OHM 5% 1/6W	1PCS
R234	61L 60291152T	CFR 910 OHM+-5% 1/6W	1PCS
R235	61L 60291152T	CFR 910 OHM+-5% 1/6W	1PCS
FB902	71L 55 19 T	FERRITE BEAD 9X3.5X0.8	1PCS
ZD902	93L 39 5452T	ZENER HZ12B2	1PCS
ZD903	93L 39 7752T	ZENER HZ5C1	1PCS
D901	93L 6026T52T	RECTIFIER DIODE FR107	1PCS
D902	93L 6038P52T	PS102R	1PCS
D205	93L 64 1152T	1N4148	1PCS
D206	93L 64 1152T	1N4148	1PCS

D207	93L 64 1152T	1N4148	1PCS
D208	93L 64 1152T	1N4148	1PCS
D209	93L 64 1152T	1N4148	1PCS
D210	93L 64 1152T	1N4148	1PCS
D903	93L 64 1152T	1N4148	1PCS
IC903	56L 158 4 T	A HTL431	1PCS
Q902	57L 419 PP T	2PC945P	1PCS
Q901	57L 420 PP T	2PA733P	1PCS
C911	64L700J1020AT	1000PF 50V PEN	1PCS
C204	64L700J1040AT	0.1UF 50V PEN	1PCS
C205	64L700J1040AT	0.1UF 50V PEN	1PCS
C206	64L700J1040AT	0.1UF 50V PEN	1PCS
C909	64L700J1040AT	0.1UF 50V PEN	1PCS
C936	64L700J1040AT	0.1UF 50V PEN	1PCS
C221	64L701J4740AT	0.47uF 50V	1PCS
C222	64L701J4740AT	0.47uF 50V	1PCS
C208	65L 44233113T	330PJNPO 50V	1PCS
C398	65L 444471 5T	470P/50V DIP	1PCS
C399	65L 444471 5T	470P/50V DIP	1PCS
C908	65L 450104 7T	0.1UF +80-20% 50V Y5V	1PCS
C920	65L517K102 5T6052	1000PF 10% Y5P 500V	0PCS
C921	65L517K102 5T6052	1000PF 10% Y5P 500V	0PCS
C920	65L517K102 5T6213	1000PF 10% Y5P 500V	1PCS
C921	65L517K102 5T6213	1000PF 10% Y5P 500V	1PCS
C920	65L517K102 5T6285	1000PF 10% Y5P 500V	0PCS
C921	65L517K102 5T6285	1000PF 10% Y5P 500V	0PCS
C907	67L 309220 7T	22UF +-20% 50V	1PCS
C207	67L 309479 7T	4.7UF +-20% 50V	1PCS
C924	67L215B4713HT	470UF 16V LTR471M1CF11V	1PCS
C926	67L215B4713HT	470UF 16V LTR471M1CF11V	1PCS
C201	67L215C1514HT	LOW ESR 150UF 25V 8*7MM	1PCS
C223	67L215C1514HT	LOW ESR 150UF 25V 8*7MM	1PCS
Q203	56L 566 10	SI4431DY-T1-SMT	0PCS
Q204	56L 566 10	SI4431DY-T1-SMT	0PCS
U201	56L 608 1	TL1451ACD	1PCS
U201	56L 622 1	BA9741F-SMT	0PCS
Q203	56L 763 4	MOSFET	0PCS
Q204	56L 763 4	MOSFET	0PCS
Q205	57L 417 4	PMBS3904/PHILIPS-SMT(04	1PCS
Q206	57L 417 4	PMBS3904/PHILIPS-SMT(04	1PCS

Q207	57L 417 6	PMBS3906/PHILIPS-SMT(06	1PCS
Q208	57L 417 6	PMBS3906/PHILIPS-SMT(06	1PCS
Q202	57L 760 4	DTA144WKA BY ROHM SMT(7	1PCS
Q201	57L 760 5	DTC144WKA BY ROHM SMT(8	1PCS
Q203	57L 763 3	A04411 SO-8 BY AOS SMT	1PCS
Q204	57L 763 3	A04411 SO-8 BY AOS SMT	1PCS
R929	61L0603000	CHIPR 00HM +-5% 1/16W	1PCS
R931	61L0603102	CHIPR 1K OHM +-5% 1/16W	1PCS
R216	61L0603221	CHIPR 220 OHM+-5% 1/16W	1PCS
R217	61L0603221	CHIPR 220 OHM+-5% 1/16W	1PCS
R925	61L0603362	CHIP 3.6K OHM 1/16W	1PCS
R212	61L0603392	CHIP 3.9K OHM 1/16W	1PCS
R213	61L0603392	CHIP 3.9K OHM 1/16W	1PCS
R927	61L0805102	CHIPR 1K OHM +-5% 1/10W	1PCS
R928	61L0805102	CHIPR 1K OHM +-5% 1/10W	1PCS
R926	61L0805242	CHIP 2.4KOHM 1% 1/10W	1PCS
R924	61L0805333	CHIP 33KOHM 1% 1/10W	1PCS
R208	61L0805472	CHIPR 4.7K OHM +-5% 1/1	1PCS
R209	61L0805472	CHIPR 4.7K OHM +-5% 1/1	1PCS
R912	61L1206101	CHIP 100 OHM 5% 1/8W	1PCS
R930	61L1206101	CHIP 100 OHM 5% 1/8W	1PCS
R915	61L1206103	CHIP 10KOHM 5% 1/8W	1PCS
R901	61L1206105	CHIP 1MOHM 5% 1/8W	1PCS
R902	61L1206105	CHIP 1MOHM 5% 1/8W	1PCS
R904	61L1206105	CHIP 1MOHM 5% 1/8W	1PCS
R905	61L1206105	CHIP 1MOHM 5% 1/8W	1PCS
R224	61L1206152	CHIPR 1.5K OHM+-5%1/8W	1PCS
R225	61L1206152	CHIPR 1.5K OHM+-5%1/8W	1PCS
R226	61L1206152	CHIPR 1.5K OHM+-5%1/8W	1PCS
R227	61L1206152	CHIPR 1.5K OHM+-5%1/8W	1PCS
R228	61L1206152	CHIPR 1.5K OHM+-5%1/8W	1PCS
R229	61L1206152	CHIPR 1.5K OHM+-5%1/8W	1PCS
R230	61L1206152	CHIPR 1.5K OHM+-5%1/8W	1PCS
R231	61L1206152	CHIPR 1.5K OHM+-5%1/8W	1PCS
R916	61L1206240 2F	CHIP 24KOHM1% 1/8W	1PCS
R909	61L1206472	CHIP 4.7KOHM 5% 1/8W	1PCS
R910	61L1206472	CHIP 4.7KOHM 5% 1/8W	1PCS
R911	61L1206472	CHIP 4.7KOHM 5% 1/8W	1PCS
R906	61L1206754	CHIP 750KOHM 5% 1/8W	1PCS
R907	61L1206754	CHIP 750KOHM 5% 1/8W	1PCS

C910	65L0805104 32	CHIP 0.1UF 50V X7R	1PCS
C927	65L0805104 32	CHIP 0.1UF 50V X7R	1PCS
C203	65L0805105 27	CHIP 1UF 25V Y5V 0805	1PCS
C209	65L0805105 27	CHIP 1UF 25V Y5V 0805	1PCS
C210	65L0805105 27	CHIP 1UF 25V Y5V 0805	1PCS
C211	65L0805105 27	CHIP 1UF 25V Y5V 0805	1PCS
C212	65L0805105 27	CHIP 1UF 25V Y5V 0805	1PCS
C219	65L0805105 27	CHIP 1UF 25V Y5V 0805	1PCS
C220	65L0805105 27	CHIP 1UF 25V Y5V 0805	1PCS
C224	65L0805105 27	CHIP 1UF 25V Y5V 0805	1PCS
C225	65L0805105 27	CHIP 1UF 25V Y5V 0805	1PCS
D203	93L 39S 3 T	BZT52-C11	1PCS
D204	93L 39S 3 T	BZT52-C11	1PCS
D203	93L 39S 8 T	ZD RLZ11B ROHM	0PCS
D204	93L 39S 8 T	ZD RLZ11B ROHM	0PCS
ZD904	93L 39S 16 T	SML4737A/1 1W D0-214AC	0PCS
ZD904	93L 39S 19 T	PTZ7.5B	1PCS
ZD901	93L 39S 20 T	RLZ22B BY ROHM	1PCS
D201	93L2004 1	SMAL240LVXRO-SMT	0PCS
D202	93L2004 1	SMAL240LVXRO-SMT	0PCS
D201	93L2004 2	SR24/PANJIT-SMT	1PCS
D202	93L2004 2	SR24/PANJIT-SMT	1PCS
D201	93L2004 3	DIOED	0PCS
D202	93L2004 3	DIOED	0PCS
	705L 780 57 01	Q903 ASS'Y	
	51L 200 1	床荐猻	0G
Q903	57L 723 3B	2SK2761-01MR	0PCS
Q903	57L 724 4	2SK2996	1PCS
	90L 407 2	HEAT SINK	1PCS
	M1L1730 8128	SCREW M3x8	1PCS
	705L 780 57 02	CN901 ASS'Y	
CN901	87L 501 12 CJ	AC SOCKET	1PCS
CN901	87L 501 12 RF	AC SOCKET	0PCS
	95L205S354022	HARNESS	1PCS
	96L 29 4	SHRINK TUBE UL/CSA	1PCS
	705L 780 57 15	D910/D912 ASS'Y	
	90L6064 1	HEAT SINK	1PCS
D910	93L 60217	FMB29L 10A 100V SANKEN	1PCS
D910	93L 60224	FCH10A10	0PCS
D912	93L 60235	FCQ10A06(F10P06Q)	1PCS

D912	93L 60236	DIODE FMB26L SANKEN	0PCS
	M1L1730 8128	SCREW M3x8	2PCS
	705L780KB34 28	CAB'T ASS'Y	
	5L6012 1	LIFT-RUBBER	1PCS
	12L 394 3	FOOT-PORON	6PCS
	15L5925 2	BASE-BKT	1PCS
	15L6050 1	BRACKET	3PCS
	19L 573 1	SPRING	1PCS
	19L 580 1	STAND CLIP	1PCS
	33L4647 GM L	COVER TILT	1PCS
	33L4648 GM L	COVER STAND	1PCS
	33L4649 GM L	HOLDER LIFT	1PCS
	33L4650 GM X	HOLDER SPRING	1PCS
	34L1192 GM B	SPKBOX-F	1PCS
	34L1193 GM B	SPKBOX-B	1PCS
	34L1194 GM B	UTAND	1PCS
	34L1195 GM B	STAND LIFT	1PCS
	34L1196 GM B	BASE	1PCS
	37L 477 1	HINGE ASSY	1PCS
	78L 311 4 L	SPEAKER	1PCS
	78L 311 4 R	SPEAKER	1PCS
	M1L 330 6 47	SCREW 3X6mm	2PCS
	Q1L 130 8120	SCREW 3mmX8	6PCS
	Q1L 130 12120	SCREW 3MMX12	2PCS
	Q1L 130 12120	SCREW 3MMX12	4PCS
	Q1L 330 8120	SCREW 3X8mm	3PCS
	Q1L 330 8120	SCREW 3X8mm	2PCS
	Q1L1030 8128	SCREW	4PCS
	W33L4646 GM L	COVER LIFT	1PCS