

RZ11T7474

SAMSUNG

11.4 cu. ft. BESPOKE Flex Column Refrigerator with Customizable Colors and Flexible Design



Signature Features

Color Customization

Customize the color of your refrigerator. Choose from three colors to create a space that fits your style.

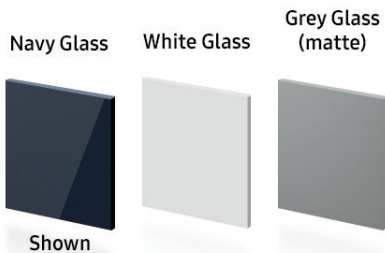
Modularization

Design your ideal refrigerator space – use it as a standalone or seamlessly combine it with another BESPOKE Flex Column or Bottom Freezer Refrigerator.

Fully Convertible

Switch between fridge and freezer temperatures to fit your storage needs.

BESPOKE Panel Color Selection



Modularization



Fully Convertible

Design

- Convertible Zone
- Organizational Options
- Reversible Door

Convenience

- Dongle Ready
- 3 Spill-Proof Shelves
- 4 Crisper Drawers
- 3 Door Bins

Performance

- All-Around Cooling
- Surround AirFlow
- Power Freeze
- Cool Tight Door

Rating



ENERGY STAR® Rated:
361 kWh/yr

RZ11T7474

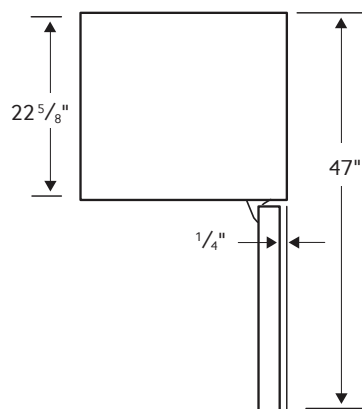
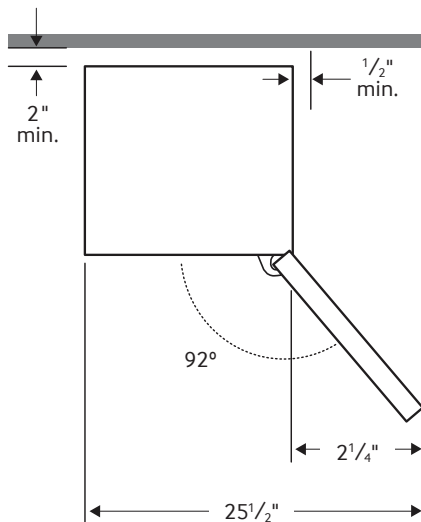
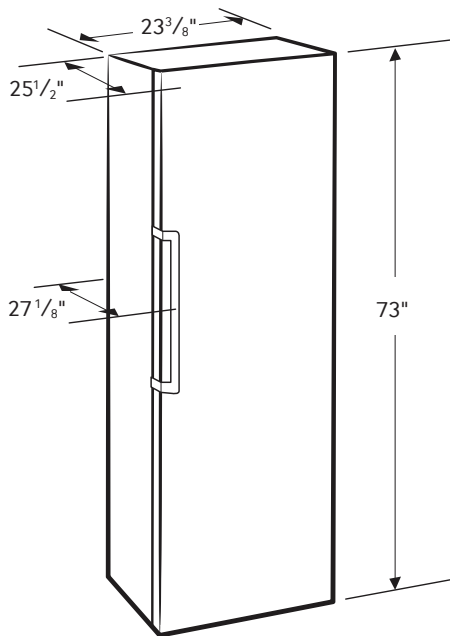
SAMSUNG

11.4 cu. ft. BESPOKE Flex Column Refrigerator with Customizable Colors and Flexible Design

Installation Requirements

- Solid, level surface without carpeting or flooring that may obstruct ventilation
- Away from direct sunlight
- Adequate room for opening and closing the door
- Away from a heat source
- Room for maintenance and servicing
- Temperature range: between 38°F (3°C) and 110°F (43°C)

Dimensions



Capacity: 11.4 cu. ft.

- 3 Spill-Proof Shelves
- 4 Crisper Drawers
- 3 Door Bins
- High-Efficiency LED Lighting
- Adjustable Freezer Mode: Temperatures between 5°F and -8°F (0°F default temperature)
- Adjustable Fridge Mode: Temperatures between 44°F and 34°F (37°F default temperature)
- Mode Select - Switch between Freezer and Fridge Modes

Warranty

Two (2) Years Parts and Labor on Refrigerator*
Five (5) Years Parts and Labor on Sealed Refrigeration System Only**
Ten (10) Years Parts and Five (5) Years Labor on Digital Inverter Compressor

*Effective for purchases made between 10/1/22 - 9/30/23; proof of purchase required.
**Compressor, evaporator, condenser, drier and connecting tubing.

Product Dimensions & Weight

Dimensions (WxHxD with hinges, handle and door):
23³/₈" x 73" x 27¹/₈"

Dimensions (WxHxD with hinges and door):
23³/₈" x 73" x 25¹/₂"

Dimensions (WxHxD without hinges and door):
23³/₈" x 73" x 22⁵/₈"

Weight: 189 lbs

Shipping Dimensions & Weight (WxHxD)

Dimensions: 25³/₄" x 73⁷/₈" x 27⁵/₈"

Weight: 207 lbs

Color	Model #	UPC Code
Navy Glass	RZ11T747441	887276533322
White Glass	RZ11T747435	887276538501
Grey Glass (matte)	RZ11T747431	887276538495