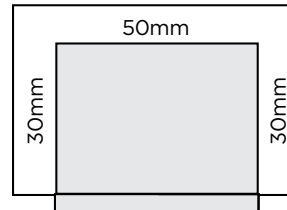
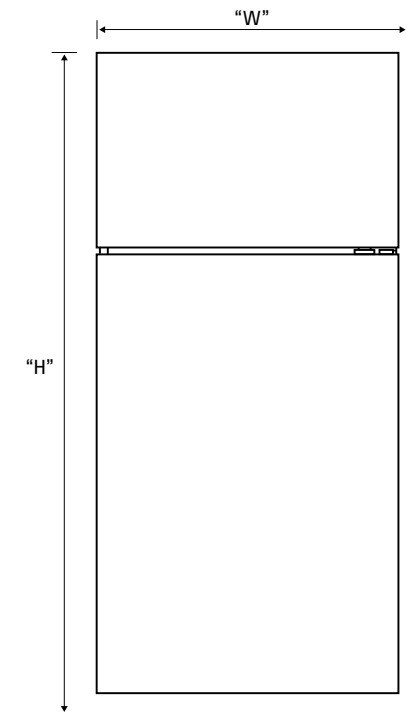


Large Top Mount Fridges

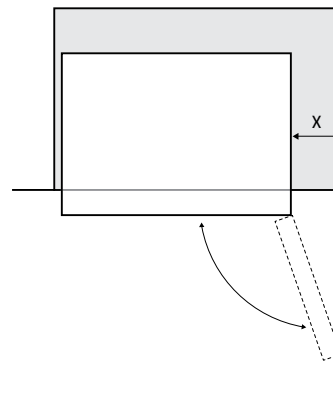
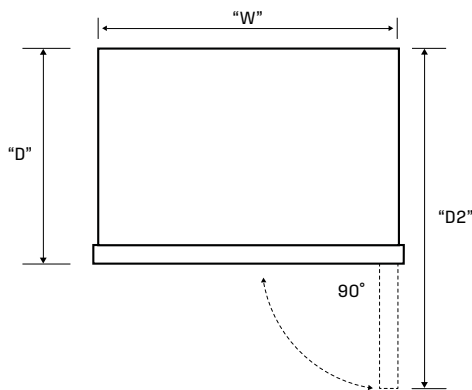
WTM5002SD/WD/WE
WTM4302WD



Please note: Doors are designed to sit proud of cabinetry (not flush).

Model	X
WTM4302	430mm
WTM5002	455mm

When positioned in a corner area, spacing a minimum of Xmm (distance depends of the model as per the table above) on the hinge side will allow the doors to open enough to enable the removal of shelves.



Dimensions	Product Height (H)	Product Width (W)	Product Depth (D)	Product Depth (D2) (Door Open)
WTM5002SD/WD	1725	796	723	1457
WTM5002WE	1725	796	727	1457
WTM4302WD	1725	699	723	1360

Airspace	Side - both	Top	Behind
WTM5002SD/WD	30	90	50
WTM5002WE	30	90	50
WTM4302WD	30	90	50

IMPORTANT

These dimensions are a guide only. All measurements are in millimetres (mm). For complete installation instructions, refer to the manual provided with product.

© 2024 Electrolux Home Products Pty Ltd. WHS_DIM_LargeTM_Nov24
 and Westinghouse are trademarks of Westinghouse Electric Corporation.
 All Rights Reserved.