

# SERVICE MANUAL

# HA-1 CHASSIS

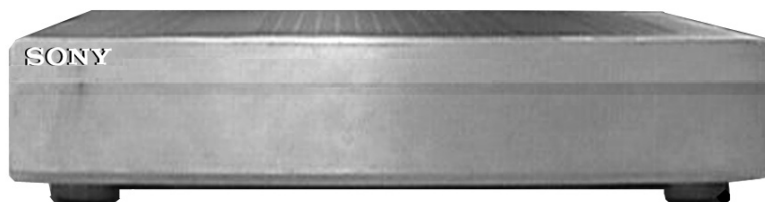
<i>MODEL</i>	<i>COMMANDER</i>	<i>DEST.</i>	<i>CHASSIS NO.</i>
<i>KW-34HD1</i>	<i>RM-Y158</i>	<i>US</i>	<i>SCC-S17A-A</i>



TV Monitor



RM-Y158



DTV Receiver



TRINITRON® COLOR TV  
**SONY®**

## SPECIFICATIONS

<b>Television system:</b>	American TV standard, NTSC, ATSC	<b>Actual screen size:</b> 36-inch picture measured diagonally
<b>Channel coverage:</b>	DTV: 1-99, VHF: 2-13 UHF: 14-69, CATV: 1-125	<b>Visible screen size:</b> 34-inch picture measured diagonally
<b>Picture Tube:</b>	FD Trinitron® tube	<b>Antenna:</b> 75 ohm external terminal for VHF/UHF
<b>Power Requirements:</b>	120V, 60Hz	<b>Power Consumption:</b>
		<u>TV Monitor</u> <u>DTV Receiver</u>
		In use (max.)      300W      30W
		In standby      3W      1W

**Number of inputs/outputs:**

<b>Video</b>	3	1 Vp-p, 75 ohms unbalanced, sync negative
<b>S Video</b>	3	Y: 1 Vp-p, 75 ohms unbalanced, sync negative C: 0.286 Vp-p (Burst signal), 75 ohms
<b>Audio Out</b>	1	More than 408 mVrms at the maximum volume setting (variable) More than 408 mVrms (fix) Impedance (output): 2 kilohms
<b>Control S (IN/OUT)</b>	1	
<b>Y, PB, PR for DVD</b>	1	Y: 1.0 Vp-p, 75 ohms, sync negative PB: 0.7 Vp-p, 75 ohms PR: 0.7 Vp-p, 75 ohms fH: 15.734 kHz, fV: 59.94 Hz
<b>Y, PB, PR for HD</b>	1	Y: 1.0 Vp-p, 75 ohms, Tri level sync PB: 0.7 Vp-p, 75 ohms PR: 0.7 Vp-p, 75 ohms fH: 33.75 kHz, fV: 60 Hz
<b>Speaker output:</b>	15Wx2	

**TV Monitor****Dimensions (WxHxD):**

(mm)	988 x 613 x 592 mm
(in)	37 <sup>3/4</sup> x 24 <sup>1/8</sup> x 23 <sup>3/8</sup> in

**Mass**

(kg)	89 kg
(lbs)	196 lbs

**DTV Receiver****Dimensions (WxHxD):**

(mm)	430 x 103 x 300.5 mm
(in)	17 x 4 <sup>3/4</sup> x 11 <sup>7/8</sup> in

**Mass**

(kg)	5 kg
(lbs)	11 lbs

**Supplied Accessories:** Remote control (model RM-Y158) (w/2 size AA (R6) batteries)  
Rubber Bumper (2), Coaxial cable, I/O cable

**Optional Accessories:** Connecting Cables: RK-74A, RK-G69HG, VMC-10HG, VMC-720M, VMC-810/820S, YC-15V/30V  
TV Stand 34HD1 (see specifications below)  
U/V Mixer EAC-66

**TV Stand****Dimensions (WxHxD)**

(mm)	952 x 528 x 705 mm Width is 1167mm with door open.
(in)	37 <sup>1/2</sup> x 20 <sup>3/4</sup> x 27 <sup>3/4</sup> in Width is 46" with door open.

**Mass**

(kg)	45 kg
(lbs)	99 lbs

(●)® **SRS (SOUND RETRIEVAL SYSTEM)**

The (●) SRS (SOUND RETRIEVAL SYSTEM) is manufactured by Sony Corporation under license from SRS Labs, Inc. It is covered by U.S. Patent No. 4,748,669. Other U.S. and foreign patents pending.

The word 'SRS' and the SRS symbol (●) are registered trademarks of SRS Labs, Inc.

BBE and BBE symbol are trademarks of BBE Sound, Inc. and are licensed by BBE Sound, Inc. under USP 4638258.4482866.

<b>TABLE OF CONTENTS</b>
--------------------------

<u>Section</u>	<u>Title</u>	<u>Page</u>	<u>Section</u>	<u>Title</u>	<u>Page</u>
	Warnings and Caution .....	4			
	Self-Diagnostic Function .....	4			
	Safety Check Out Instructions .....	7			
<b>1. GENERAL</b>			<b>5. SAFETY RELATED ADJUSTMENTS</b>		50
	Setting up the TV, DTV Receiver and Stand.....	8	<b>6. DIAGRAMS</b>		
	Installing the DTV System.....	11	6-1. Block Diagrams.....		51
	TV Controls and Connectors.....	15	6-2. Circuit Boards Location.....		64
	Using the Remote Control.....	17	6-3. Printed Wiring Boards and Schematic Diagrams .....		64
	Troubleshooting.....	21	• A Board.....		65
<b>2. DISASSEMBLY</b>			• B Board.....		77
2-1. Rear Cover and Speaker Removal.....		22	• D Board.....		85
2-2. Chassis Assembly Removal.....		22	• G Board.....		93
2-3. Service Position .....		22	• M Board.....		101
2-4. U Board Bracket Removal.....		22	• V Board.....		109
2-5. Picture Tube Removal .....		23	• C Board.....		125
2-6. DTV Receiver Upper Case Removal.....		24	• U Board .....		127
2-7. DTV Receiver Front and Rear Panel Removal.....		24	• K Board.....		128
2-8. FE Board, MH Board, Power Supply Removal.....		24	• H1 Board .....		129
			• H2 Board .....		130
			• W Board .....		132
<b>3. SET-UP ADJUSTMENTS</b>			DTV Receiver Schematic Diagrams		
3-1. Beam Landing.....		25	• Power Supply.....		133
3-2. V-Pin and V-Cen Adjustment.....		25	• FE Board .....		137
3-3. Convergence Adjustment.....		26	• MH Board .....		141
3-4. Focus Adjustment .....		27	6-4. Semiconductors.....		157
3-5. Screen (G2).....		27	<b>7. EXPLODED VIEWS</b>		
3-6. Picture Quality Adjustment.....		27	7-1. Chassis .....		160
3-7. White Balance and Sub Bright Adjustments.....		31	7-2. Picture Tube.....		161
3-8. Raster Center Adjustment.....		32	7-3. TV Stand.....		162
3-9. Picture Distortion Adjustments.....		33	7-4. DTV Receiver.....		163
3-10. 15KHz Mode Adjustment.....		33	<b>8. ELECTRICAL PARTS LIST</b>		
3-11. 33KHz HD/31KHZ VGA/525P Mode Adjustment.....		35	• KV-34HD1 Monitor parts.....		165
3-12. Twin Picture Mode.....		35	• Accessories/Packaging/Remote parts.....		209
<b>4. CIRCUIT ADJUSTMENTS</b>		32	• DTV Receiver parts.....		210

## WARNINGS AND CAUTIONS

### CAUTION!

SHORT CIRCUIT THE ANODE OF THE PICTURE TUBE AND THE ANODE CAP TO THE METAL CHASSIS, CRT SHIELD, OR CARBON PAINTED ON THE CRT, AFTER REMOVING THE ANODE.

### WARNING!!

AN ISOLATION TRANSFORMER SHOULD BE USED DURING ANY SERVICE TO AVOID POSSIBLE SHOCK HAZARD, BECAUSE OF LIVE CHASSIS. THE CHASSIS OF THIS RECEIVER IS DIRECTLY CONNECTED TO THE AC POWER LINE.

### SAFETY-RELATED COMPONENT WARNING!!

COMPONENTS IDENTIFIED BY SHADING AND MARK  $\Delta$  ON THE SCHEMATIC DIAGRAMS, EXPLODED VIEWS AND IN THE PARTS LIST ARE CRITICAL FOR SAFE OPERATION. REPLACE THESE COMPONENTS WITH SONY PARTS WHOSE PART NUMBERS APPEAR AS SHOWN IN THIS MANUAL OR IN SUPPLEMENTS PUBLISHED BY SONY. CIRCUIT ADJUSTMENTS THAT ARE CRITICAL FOR SAFE OPERATION ARE IDENTIFIED IN THIS MANUAL. FOLLOW THESE PROCEDURES WHENEVER CRITICAL COMPONENTS ARE REPLACED OR IMPROPER OPERATION IS SUSPECTED.

### ATTENTION

APRES AVOIR DECONNECTE LE CAP DE L'ANODE, COURT-CIRCUITER L'ANODE DU TUBE CATHODIQUE ET CELUI DE L'ANODE DU CAP AU CHASSIS METALLIQUE DE L'APPAREIL, OU AU COUCHE DE CARBONE PEINTE SUR LE TUBE CATHODIQUE OU AU BLINDAGE DU TUBE CATHODIQUE.

### ATTENTION!!

AFIN D'EVITER TOUT RESQUE D'ELECTROCUTION PROVENANT D'UN CHÂSSIS SOUS TENSION, UN TRANSFORMATEUR D'ISOLEMENT DOIT ETRE UTILISÉ LORS DE TOUT DÉPANNAGE. LE CHÂSSIS DE CE RÉCEPTEUR EST DIRECTEMENT RACCORDÉ À L'ALIMENTATION SECTEUR.

### ATTENTION AUX COMPOSANTS RELATIFS A LA SECURITE!!

LES COMPOSANTS IDENTIFIES PAR UNE TRAME ET PAR UNE MARQUE  $\Delta$  SUR LES SCHEMAS DE PRINCIPE, LES VUES EXPLOSEES ET LES LISTES DE PIECES SONT D'UNE IMPORTANCE CRITIQUE POUR LA SECURITE DU FONCTIONNEMENT. NE LES REMPLACER QUE PAR DES COMPOSANTS SONY DONT LE NUMERO DE PIECE EST INDIQUE DANS LE PRESENT MANUEL OU DANS DES SUPPLEMENTS PUBLIES PAR SONY. LES REGLAGES DE CIRCUIT DONT L'IMPORTANCE EST CRITIQUE POUR LA SECURITE DU FONCTIONNEMENT SONT IDENTIFIES DANS LE PRESENT MANUEL. SUIVRE CES PROCEDURES LORS DE CHAQUE REMPLACEMENT DE COMPOSANTS CRITIQUES, OU LORSQU'UN MAUVAIS FONCTIONNEMENT SUSPECTE.

## SELF-DIAGNOSTIC FUNCTION

The units in this manual contain a self-diagnostic function. If an error occurs, the STANDBY/TIMER lamp will automatically begin to flash. The number of times the lamp flashes translates to a probable source of the problem. A definition of the STANDBY/TIMER lamp flash indicators is listed in the instruction manual for the user's knowledge and reference. If an error symptom cannot be reproduced, the remote commander can be used to review the failure occurrence data stored in memory to reveal past problems and how often these problems occur.

### 1. DIAGNOSTIC TEST INDICATORS

When an error occurs, the STANDBY/TIMER lamp will flash a set number of times to indicate the possible cause of the problem. If there is more than one error, the lamp will identify the first of the problem areas.

Results for all of the following diagnostic items are displayed on screen. No error has occurred if the the screen displays a "0" .

Diagnostic Item Description	No. of times STANDBY/TIMER lamp flashes	Self-diagnostic display/ Diagnostic result	Probable Cause Location	Detected Symptoms
* Power does not turn on	Does not light		* Power cord is not plugged in. * Fuse is burned out. (F5501)	* Power does not come on. * No power is supplied to the TV. * AC power supply is faulty.
* +B overcurrent (OCP) (Note 1)	2 times	2:0 or 2:1	* H.OUT (Q4018) is shorted. (D board) * +B REG (Q4022) is shorted. (D board) * IC9001,9002, 9003 is shorted. (C board)	* Power does not come on. * Load on power line is shorted.
* +B overvoltage (OVP)	3 times	3:0 or 3:1	* IC5007 is faulty. (G Board)	* Has entered standby mode.
* Vertical deflection stopped	4 times	4:0 or 4:1	* +/-15V is not supplied. (G board) * IC 7003 is faulty. (D board)	* Has entered standby state after horizontal raster. * Vertical deflection pulse is stopped. * Power line is shorted or power supply is stopped.
* White balance failure (not balanced)	5 times	5:0 or 5:1	* Video OUT (IC9001-9003) is faulty. (C board) * MCP (IC3005) is faulty. (B board) * G2 is improperly adjusted. (Note 2)	* No raster is generated. * CRT cathode current detection reference pulse output is small.
* LOW B OCP/OVP (overcurrent/overvoltage) (Note 3)	6 times	6:0 or 6:1	* +5 line is overloaded. (B,V Boards) * +5 line is shorted. (B,V Boards) * IC5008 is faulty. (G Board)	* No picture.

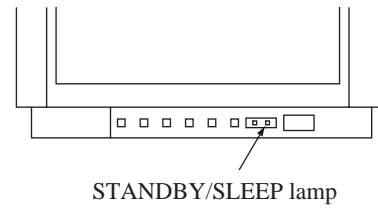
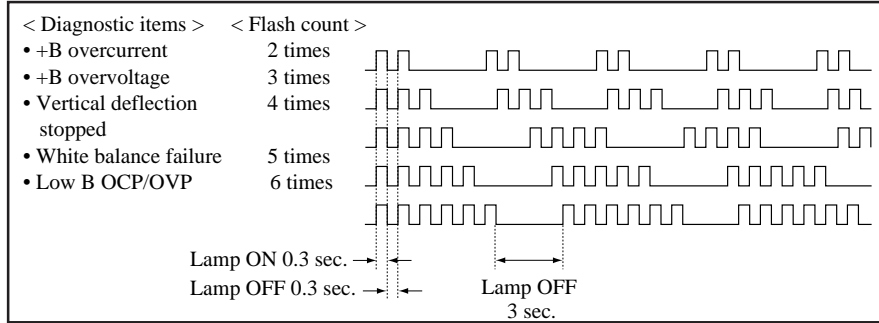
Note 1: If a +B overcurrent is detected, stoppage of the vertical deflection is detected simultaneously.

The symptom that is diagnosed first by the microcontroller is displayed on the screen.

Note 2: Refer to Screen (G2) Adjustment in Section 3-4 of this manual.

Note 3: If standby lamp flashes 6 times, unplug unit and wait ten seconds before performing adjustment.

**2. DISPLAY OF STANDBY/TIMER LIGHT FLASH COUNT**



\* One flash count is not used for self-diagnostic.

**3. STOPPING THE STANDBY/TIMER FLASH**

Turn off the power switch on the TV main unit or unplug the power cord from the outlet to stop the STANDBY/TIMER lamp from flashing.

**4. SELF-DIAGNOSTIC SCREEN DISPLAY**

For errors with symptoms such as "power sometimes shuts off" or "screen sometimes goes out" that cannot be confirmed, it is possible to bring up past occurrences of failure for confirmation on the screen:

**[To Bring Up Screen Test]**

In standby mode, press buttons on the remote commander sequentially in rapid succession as shown below:

Screen display → channel [5] → Sound volume [−] → Power ON



Note that this differs from entering the service mode (sound volume [+]).

**Self-Diagnostic screen display**

SELF DIAGNOSTIC	
2: +B OCP	0
3: +B OVP	0
4: V STOP	0
5: AKB	1
6: LOWB	0
101: WDT	0

-----Numeral "0" means that no fault has been detected.

-----Numeral "1" means a fault has been detected one time only.

**5. HANDLING OF SELF-DIAGNOSTIC SCREEN DISPLAY**

Since the diagnostic results displayed on the screen are not automatically cleared, always check the self-diagnostic screen during repairs. When you have completed the repairs, clear the result display to "0".

Unless the result display is cleared to "0", the self-diagnostic function will not be able to detect subsequent faults after completion of the repairs.

**[Clearing the result display]**

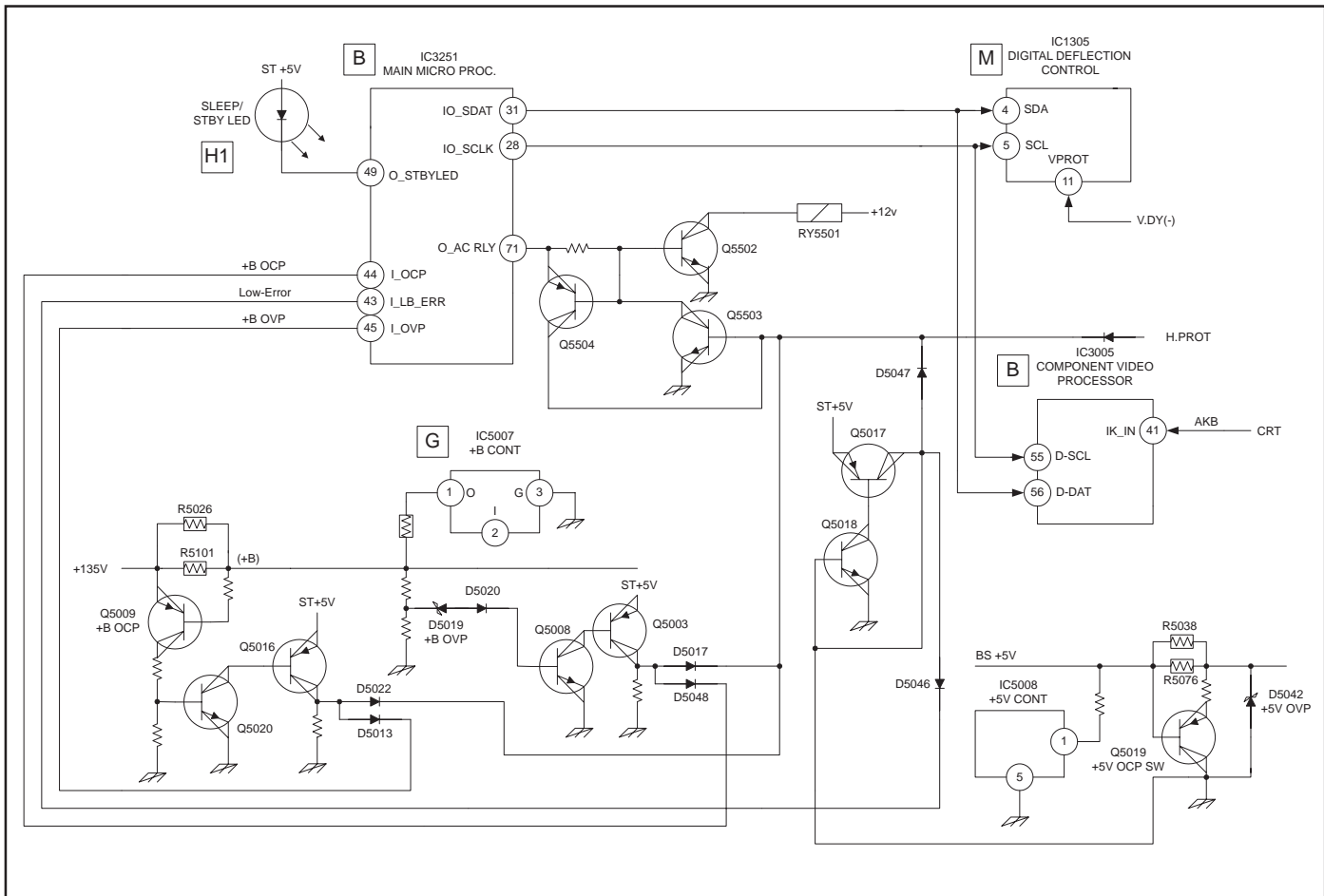
To clear the result display to "0", press buttons on the remote commander sequentially as shown below when the diagnostic screen is being displayed.

Channel [8] → [ENTER]

**[Quitting Self-diagnostic screen]**

To quit the entire self-diagnostic screen, turn off the power switch on the remote commander or the main unit.

## 6. SELF-DIAGNOSTIC CIRCUIT

**+B overcurrent (OCP)**

Occurs when an overcurrent (more than 3A) on the +B(135V) line is detected by R5026 / R5101. It will cause Q5009 to turn on and force the AC relay to turn off through Q5016 and Q5020.

**+B overvoltage (OVP)**

Occurs when an overvoltage (more than +150V) on the +B (135V) line is detected by D5019. The AC Relay will turn off through Q5003 and Q5008.

**Vertical deflection stopped**

Occurs when an absence of the vertical deflection pulse is detected by IC1305. Power supply will shut down when waveform interval exceeds 2 seconds.

**White balance failure**

If the RGB levels\* do not balance within 2 seconds after the power is turned on, this error will be detected by IC3005. The TV will stay on, but there will be no picture.

\*(Refers to the RGB levels of the AKB detection Ref pulse that detects IK.)

**Low B OCP/OVP**

Occurs when overcurrent (more than 6.4V) on the +5V line is detected by D5042. The AC relay is turned off through Q5017, Q5018 and signals to IC3002.

## SAFETY CHECK-OUT

After correcting the original service problem, perform the following safety checks before releasing the set to the customer:

1. Check the area of your repair for unsoldered or poorly-soldered connections. Check the entire board surface for solder splashes and bridges.
2. Check the interboard wiring to ensure that no wires are "pinched" or contact high-wattage resistors.
3. Check that all control knobs, shields, covers, ground straps, and mounting hardware have been replaced. Be absolutely certain that you have replaced all the insulators.
4. Look for unauthorized replacement parts, particularly transistors, that were installed during a previous repair. Point them out to the customer and recommend their replacement.
5. Look for parts which, though functioning, show obvious signs of deterioration. Point them out to the customer and recommend their replacement.
6. Check the line cords for cracks and abrasion. Recommend the replacement of any such line cord to the customer.
7. Check the B+ and HV to see if they are specified values. Make sure your instruments are accurate; be suspicious of your HV meter if sets always have low HV.
8. Check the antenna terminals, metal trim, "metallized" knobs, screws, and all other exposed metal parts for AC Leakage. Check leakage as described below.

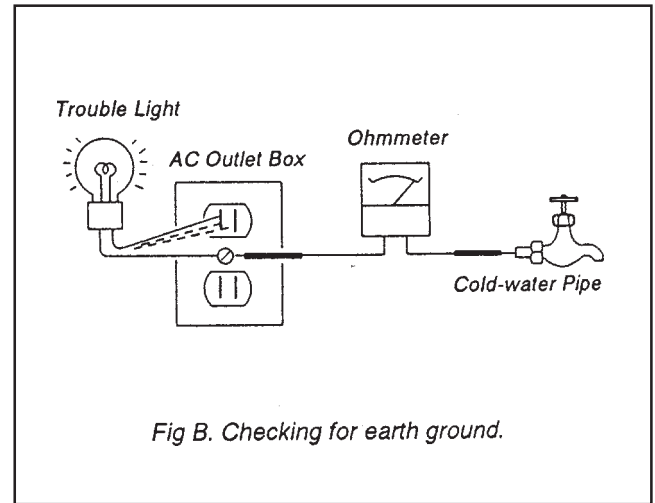
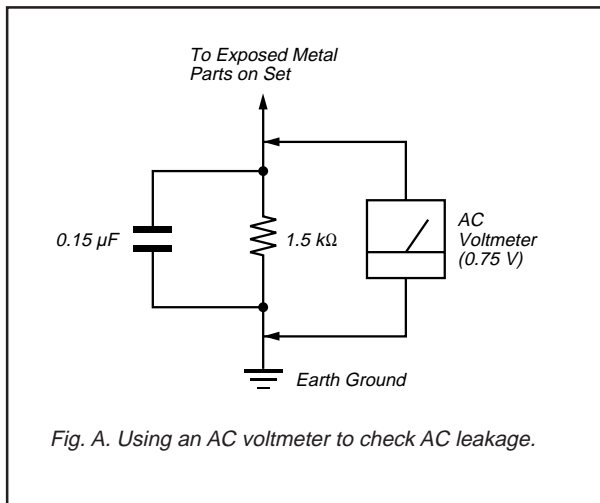
### LEAKAGE TEST

The AC leakage from any exposed metal part to earth ground and from all exposed metal parts to any exposed metal part having a return to chassis, must not exceed 0.5 mA (500 microampere). Leakage current can be measured by any one of three methods.

1. A commercial leakage tester, such as the Simpson 229 or RCA WT-540A. Follow the manufacturers' instructions to use these instructions.
2. A battery-operated AC milliammeter. The Data Precision 245 digital multimeter is suitable for this job.
3. Measuring the voltage drop across a resistor by means of a VOM or battery-operated AC voltmeter. The "limit" indication is 0.75 V, so analog meters must have an accurate low voltage scale. The Simpson's 250 and Sanwa SH-63Trd are examples of passive VOMs that are suitable. Nearly all battery operated digital multimeters that have a 2V AC range are suitable. (See Fig. A)

### HOW TO FIND A GOOD EARTH GROUND

A cold-water pipe is guaranteed earth ground; the cover-plate retaining screw on most AC outlet boxes is also at earth ground. If the retaining screw is to be used as your earth-ground, verify that it is at ground by measuring the resistance between it and a cold-water pipe with an ohmmeter. The reading should be zero ohms. If a cold-water pipe is not accessible, connect a 60-100 watts trouble light (not a neon lamp) between the hot side of the receptacle and the retaining screw. Try both slots, if necessary, to locate the hot side of the line, the lamp should light at normal brilliance if the screw is at ground potential. (See Fig. B)



## Setting Up the TV, DTV Receiver, and Stand

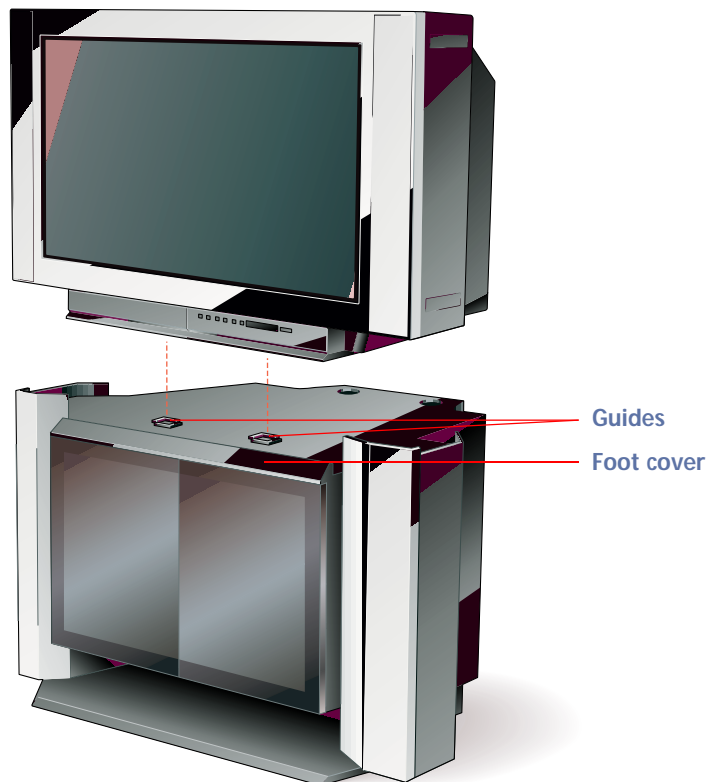
The DTV stand is shipped fully assembled. Follow these instructions to set up the TV and DTV receiver.

The use of the Sony stand supplied with this DTV system is recommended to ensure the safety, easy placement, proper operation, and optimal performance of this product. In the event you decide not to use the stand, Sony recommends the following guidelines:

- The DTV receiver must be placed underneath the TV while maintaining a distance of 12 inches between the top of the DTV receiver and the bottom of the TV.
- The cable must be properly routed as to avoid any damage.
- Staples or hold-down devices, which could pierce the cable, should not be used.
- Proper ventilation of the TV and receiver must be provided.
- Other electronic components should be placed at a minimum of 12 inches to avoid any interference.

### Place the TV on the Stand

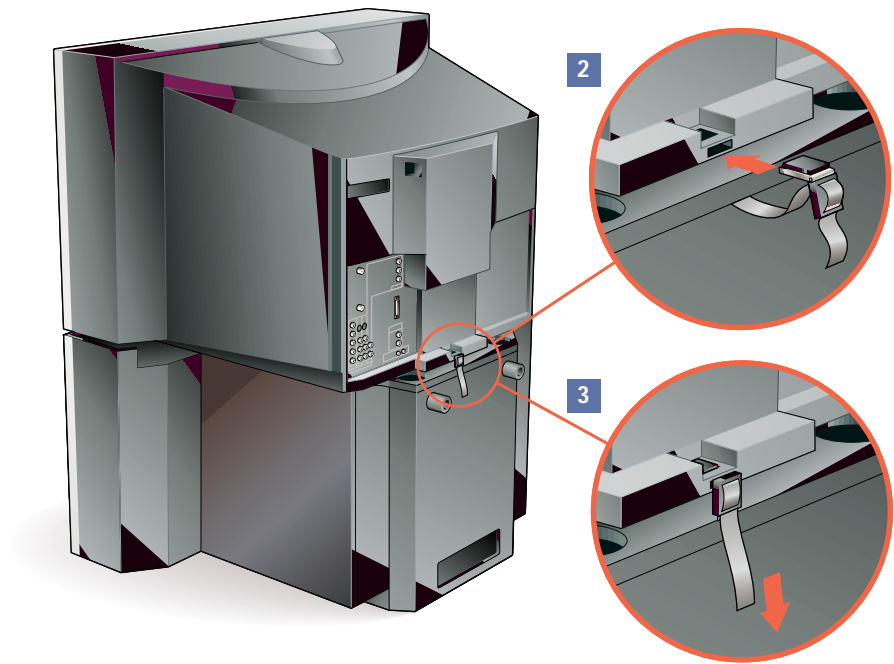
- 1 Carefully place the TV on top of the stand so that the feet on the TV fit into the guides on the stand.



The TV should be flush against the foot cover on the stand.



- 
- 2 To secure the TV to the stand, insert the buckle into the slot in the rear cover of the TV.




- 
- 
- 3 Pull the strap down to tighten it.

---


### Connect the TV and DTV Receiver

For details on routing the cables through the stand, see page 21.

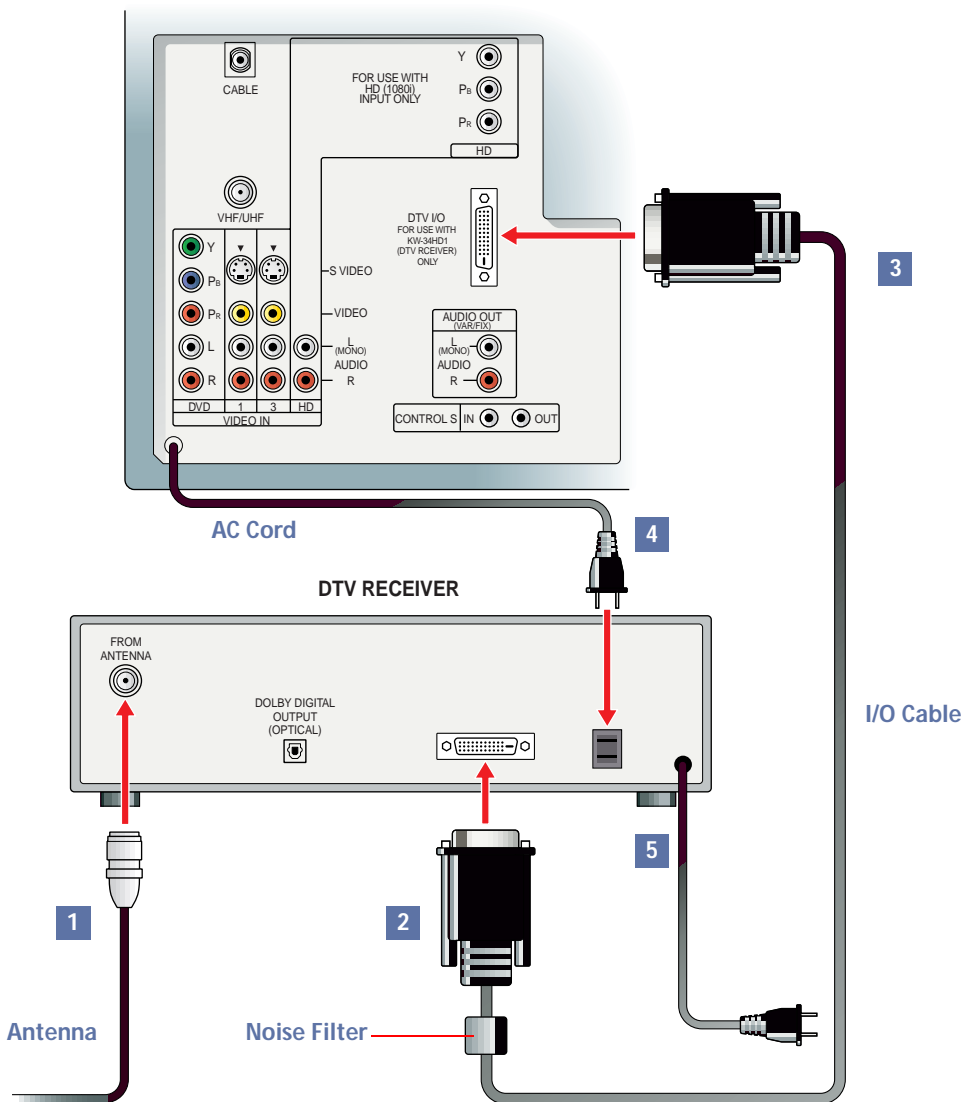
- 1 Route the antenna through the stand to the lower shelf and connect it to the DTV receiver's FROM ANTENNA jack.

 You cannot receive digital channels unless you connect a terrestrial antenna. This applies even if you normally receive your programming through cable or satellite.

- 2 Connect the digital I/O cable to the DTV receiver's I/O jack.

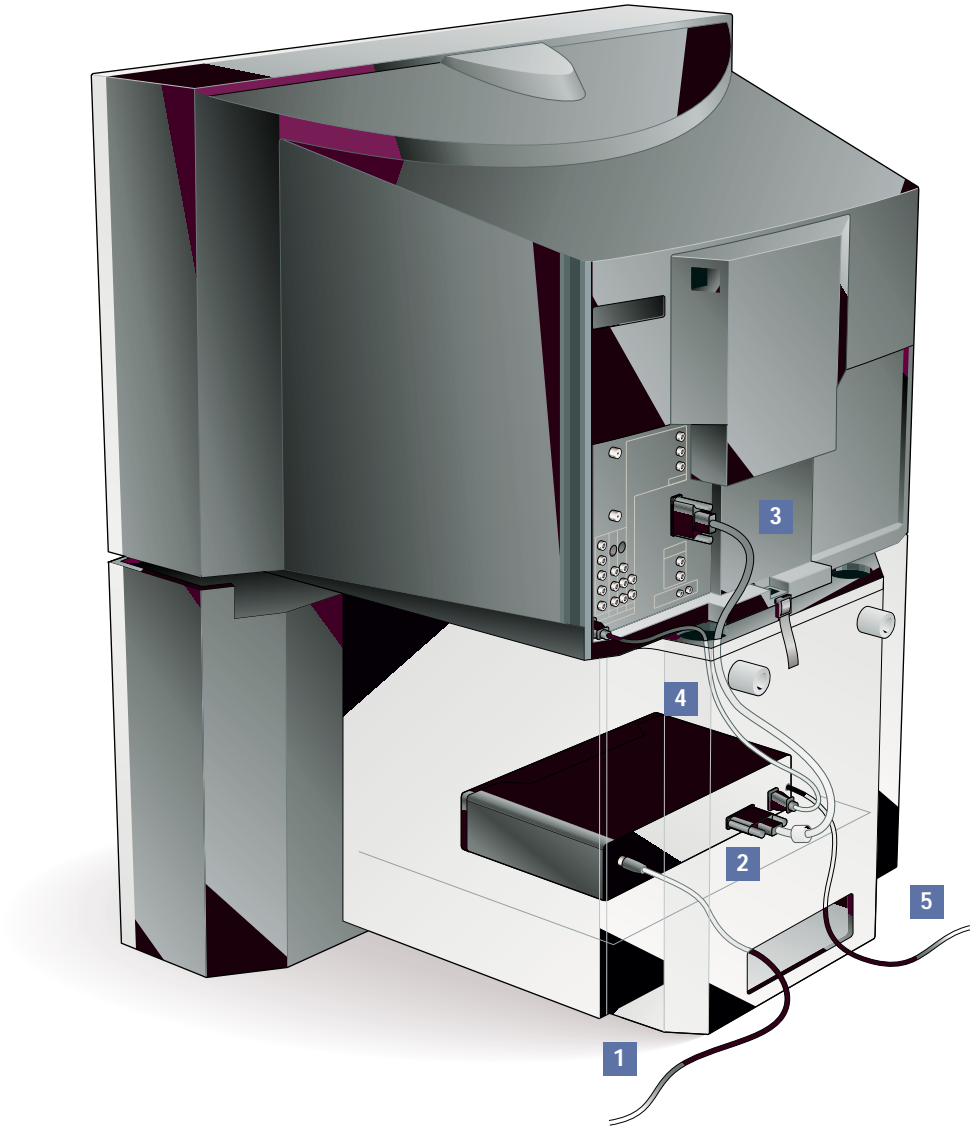
 Before connecting the I/O cable, check that it is oriented as shown — with the noise filter closer to the DTV receiver.

- 3 Route the other end of the digital I/O cable through the stand and connect it to the TV's DTV I/O jack.
- 4 Route the TV's AC power cord through the stand and connect it to the receiver's AC outlet.
- 5 Route the receiver's AC power cord through the stand. Connect this to an AC wall outlet only after you have finished connecting all components.



*Route the Cables  
through the Stand*

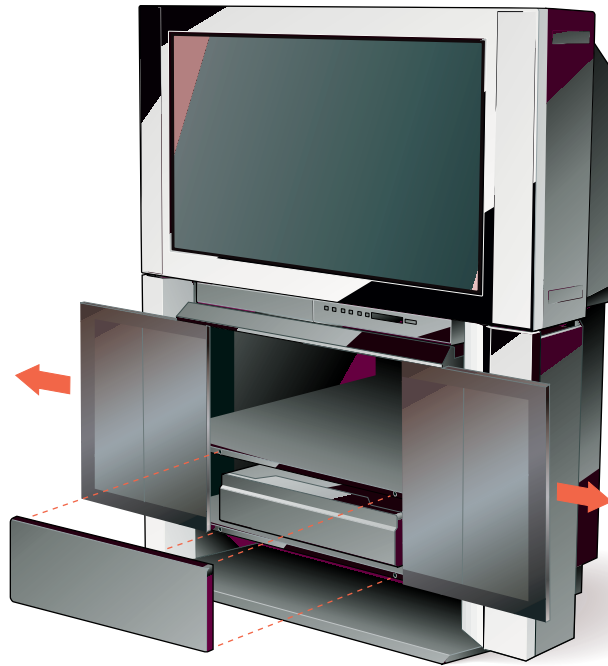
The numbers on the following illustration correspond with the steps described in “Connect the TV and DTV Receiver” on page 19.



---

### Secure the DTV Receiver

Place the DTV receiver on the bottom shelf of the stand, so that its feet are secured by the guides on the shelf. After you finish connecting the receiver, snap the cover to the bottom shelf into position, and then pull the door down to conceal the front panel of the receiver.



#### Using the stand's sliding doors

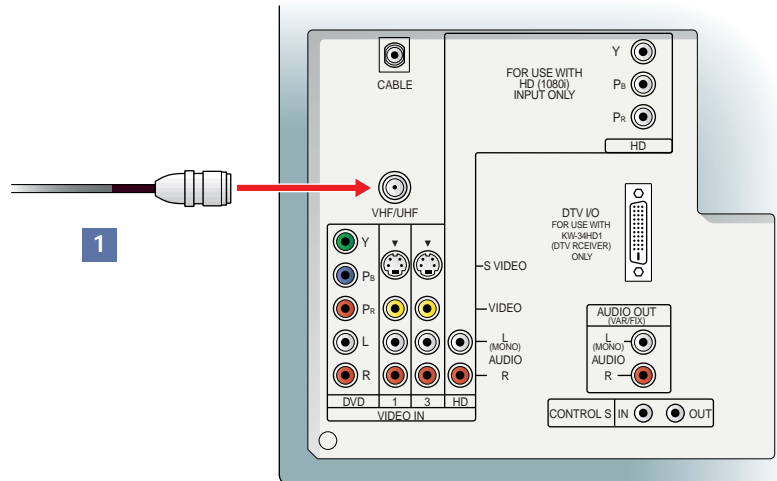
The stand has two glass doors that slide outward as shown.

#### About the stand bumpers

The back of the stand includes two rubber bumpers that guard against crimping damage to the I/O cable, which could result from placing the stand too close to the wall. To avoid potential damage to the cable, do not remove these bumpers.


## Connecting a VHF/UHF Antenna

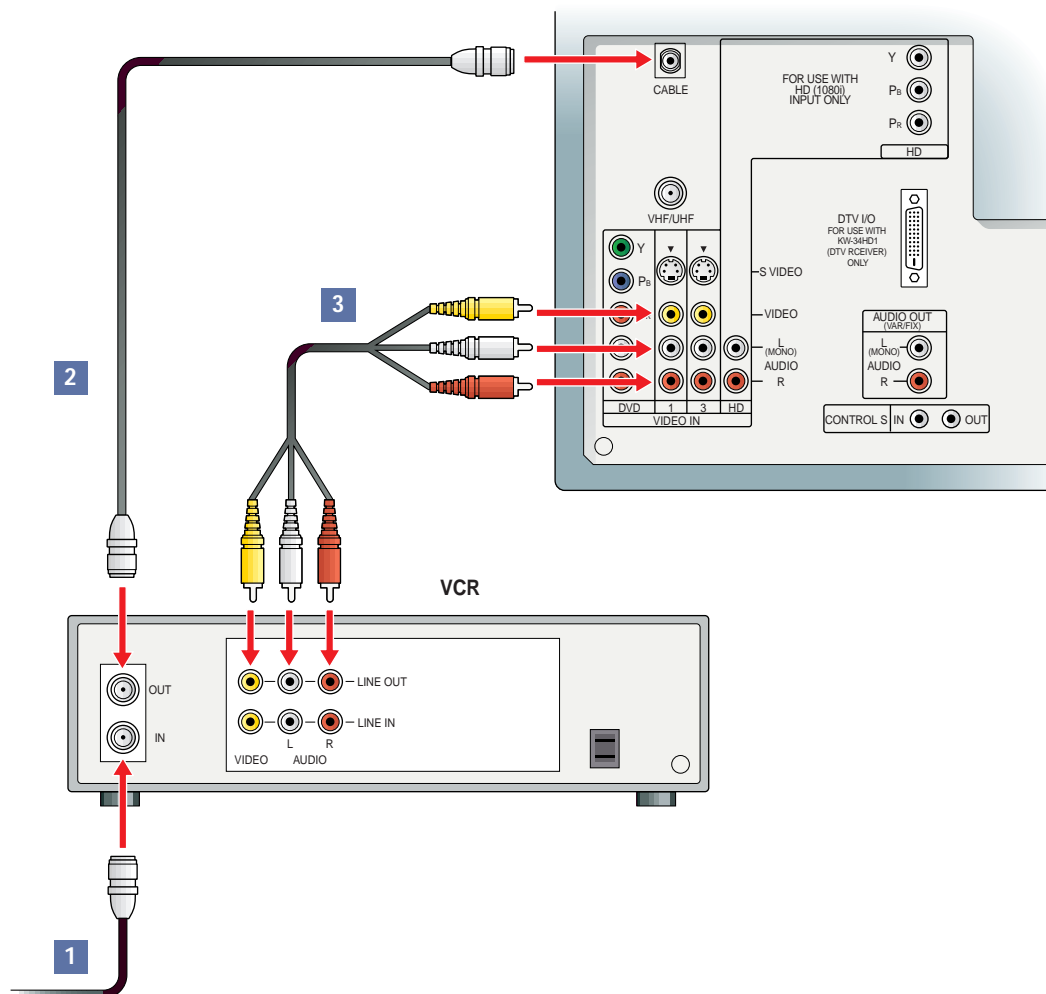
- 1 Connect the VHF/UHF antenna to the TV's VHF/UHF jack.



## Connecting a VCR and Cable


- 1 Connect the cable TV cable to the VCR's IN jack.
- 2 Using a coaxial cable, connect the VCR's OUT jack to the TV's CABLE jack.
- 3 Using an A/V cable, connect the VCR's A/V OUT jacks to the TV's A/V IN jacks.

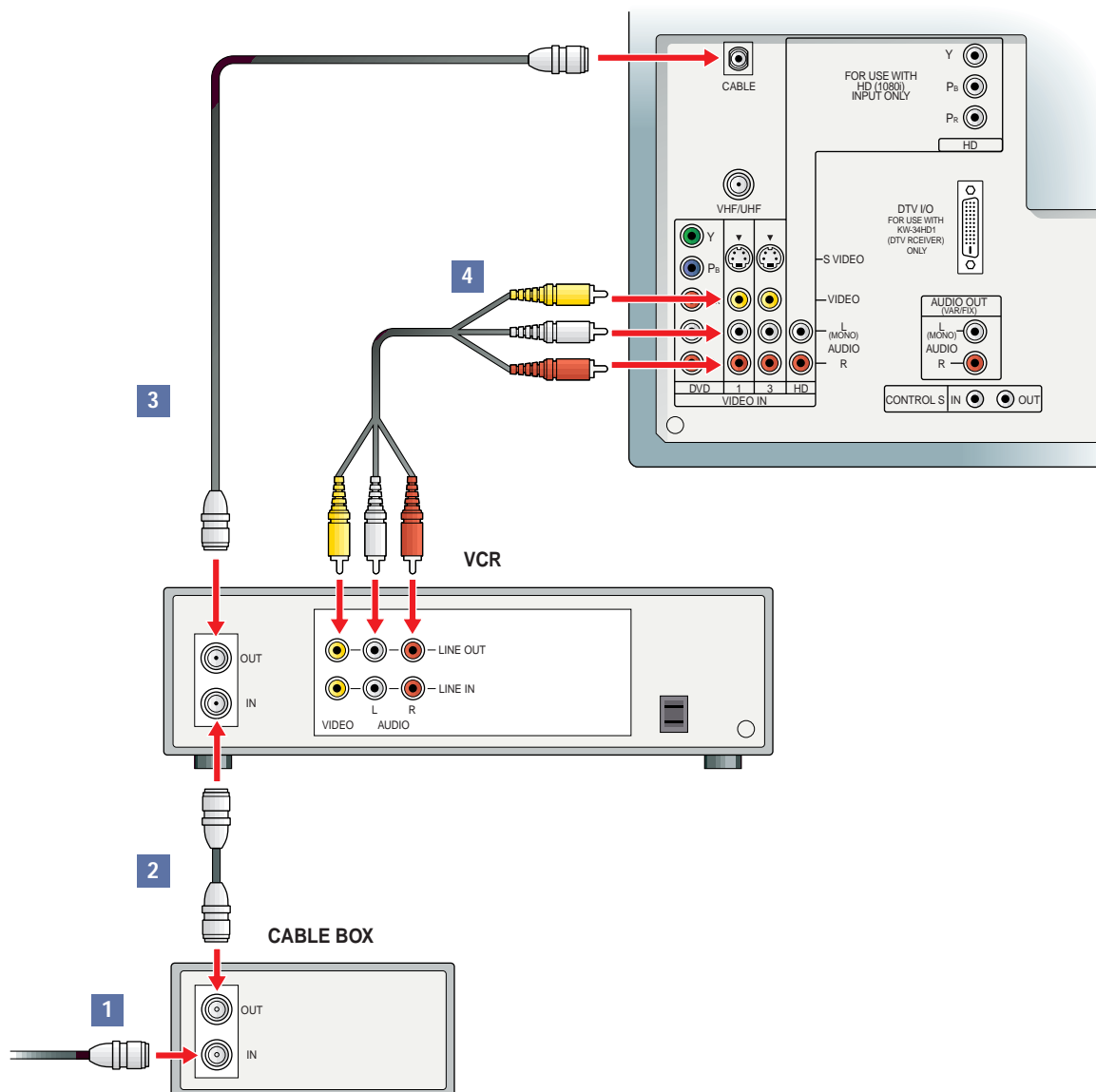
 If Your VCR Has an S VIDEO JACK: For improved picture quality, use an S VIDEO connection instead of the yellow video cable on your combined A/V cable. Using an S VIDEO cable, connect the VCR's S VIDEO OUT jack to the TV's S VIDEO IN jack. S VIDEO does not provide audio, so audio cables must still be connected to provide sound.



## Connecting a VCR and Cable Box

- 1 Connect the cable TV antenna to the cable box's IN jack.
- 2 Using a coaxial cable, connect the cable box's OUT jack to the VCR's IN jack.
- 3 Using a coaxial cable, connect the VCR's OUT jack to the TV's CABLE jack.
- 4 Using an A/V cable, connect the VCR's A/V OUT jacks to the TV's A/V IN jacks.


 If Your VCR Has an S VIDEO JACK: For improved picture quality, use an S VIDEO connection instead of the yellow video cable on your combined A/V cable. Using an S VIDEO cable, connect the VCR's S VIDEO OUT jack to the TV's S VIDEO IN jack. S VIDEO does not provide audio, so audio cables must still be connected to provide sound.

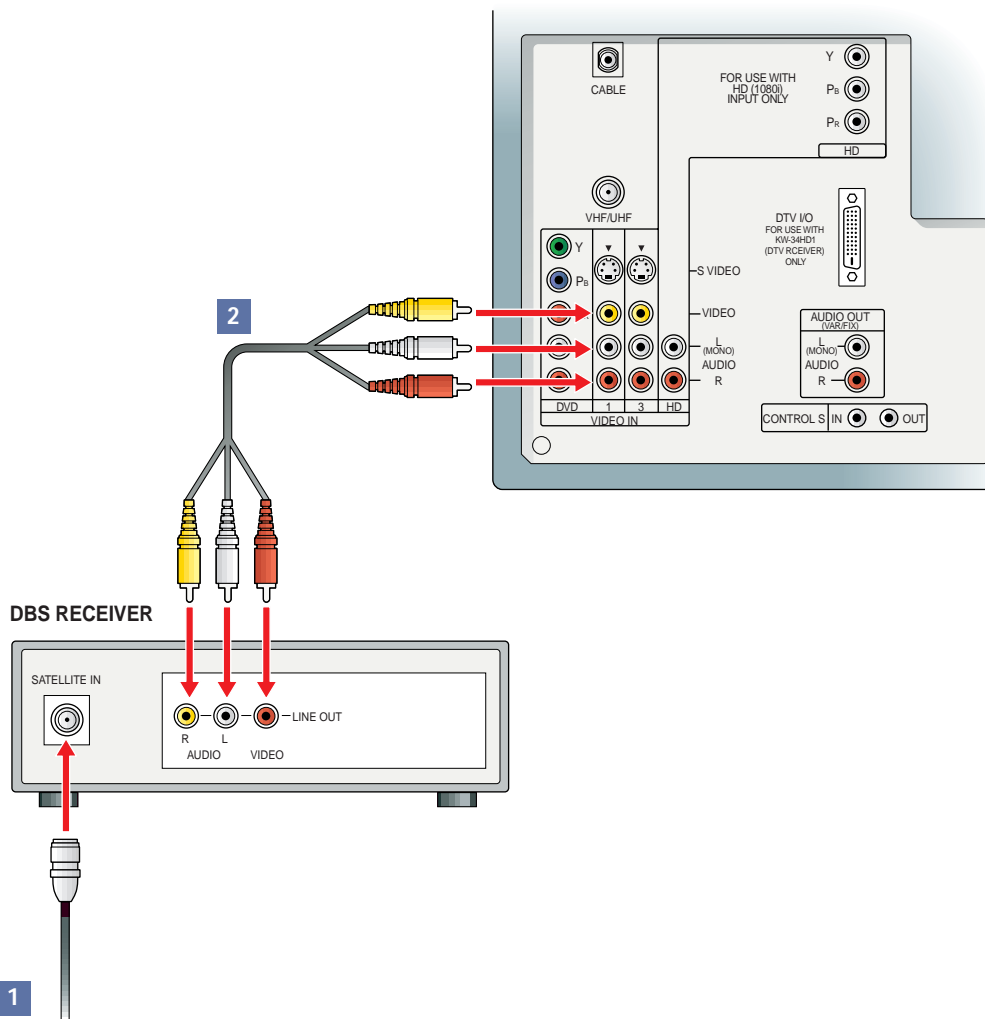




## Connecting a DBS (Satellite) Receiver

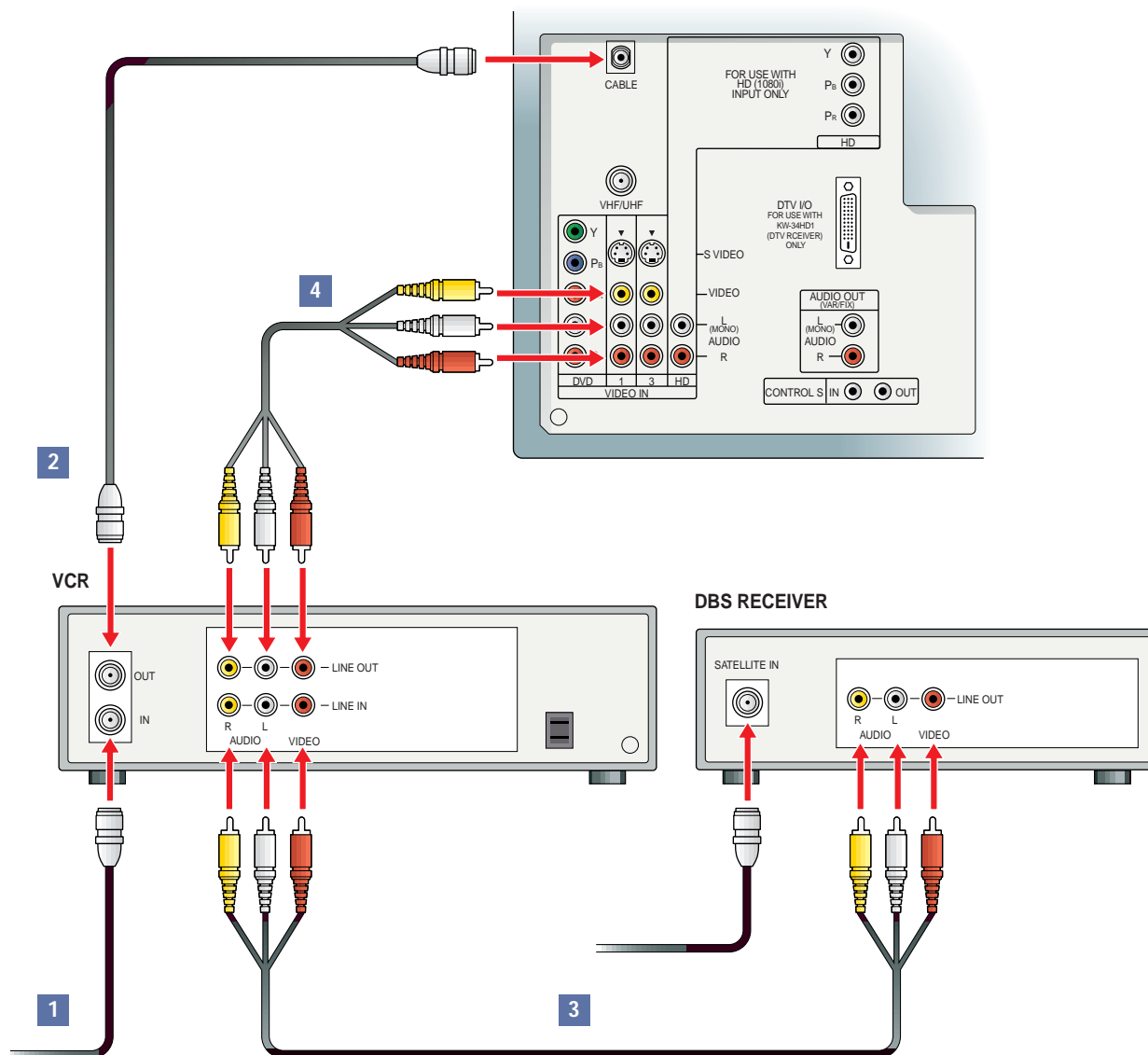
- 1 Connect the satellite antenna cable to the DBS receiver's SATELLITE IN jack.
- 2 Using an A/V cable, connect the DBS receiver's A/V OUT jacks to the TV's A/V IN jacks.

 If Your DBS Receiver Has an S VIDEO JACK: For improved picture quality, use an S VIDEO connection instead of the yellow video cable on your combined A/V cable. Using an S VIDEO cable, connect the DBS receiver's VIDEO OUT jack to the TV's S VIDEO IN jack. S VIDEO does not provide audio, so audio cables must still be connected to provide sound.




## Connecting a DBS (Satellite) Receiver with a VCR

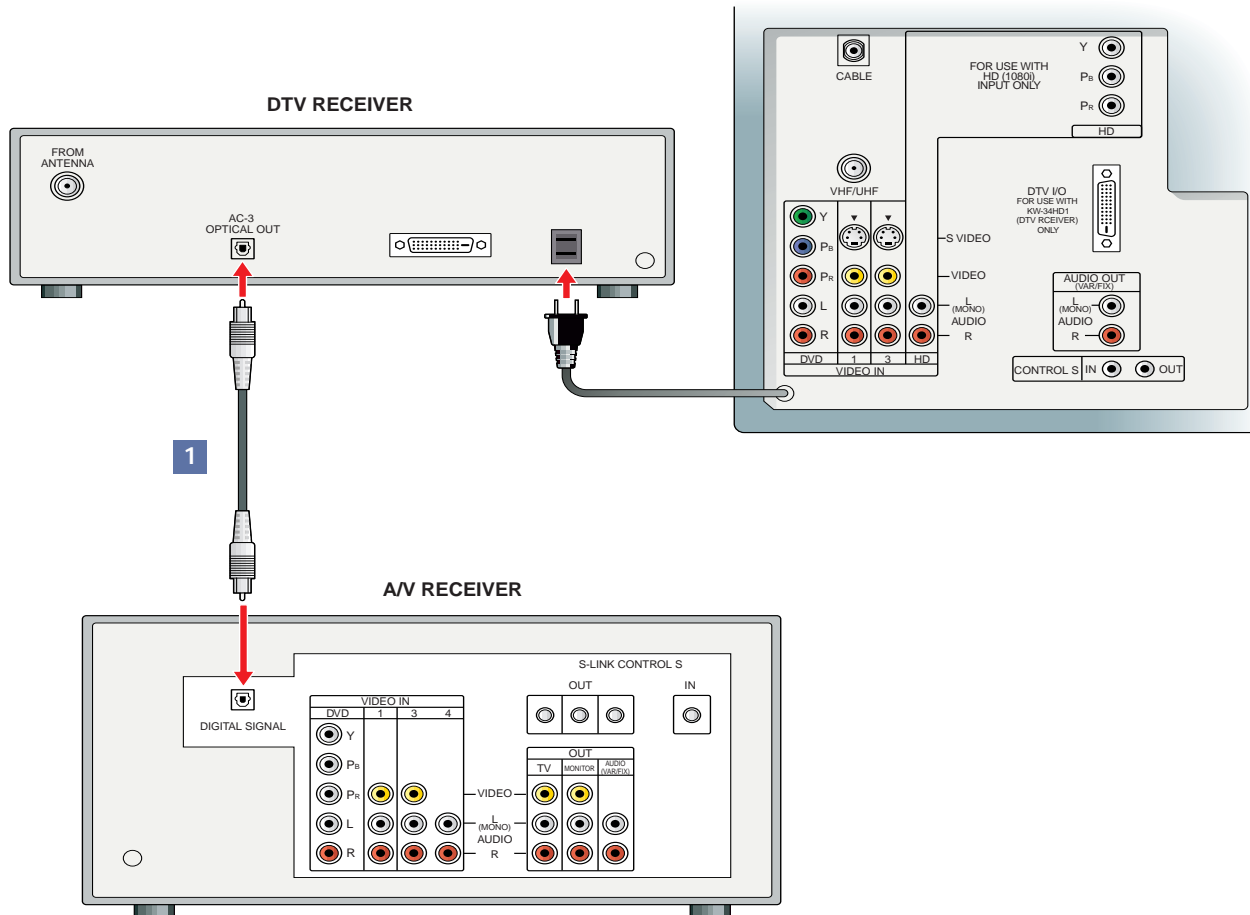
- 1 Connect the cable TV cable to the VCR's IN jack.
- 2 Using a coaxial cable, connect the VCR's OUT jack to the TV's CABLE jack.
- 3 Using an A/V cable, connect the DBS receiver's A/V OUT jacks to the VCR's A/V IN jacks.
- 4 Using an A/V cable, connect the VCR's A/V OUT jacks to the TV's A/V IN jacks.



## Connecting an A/V Receiver with Digital Audio IN

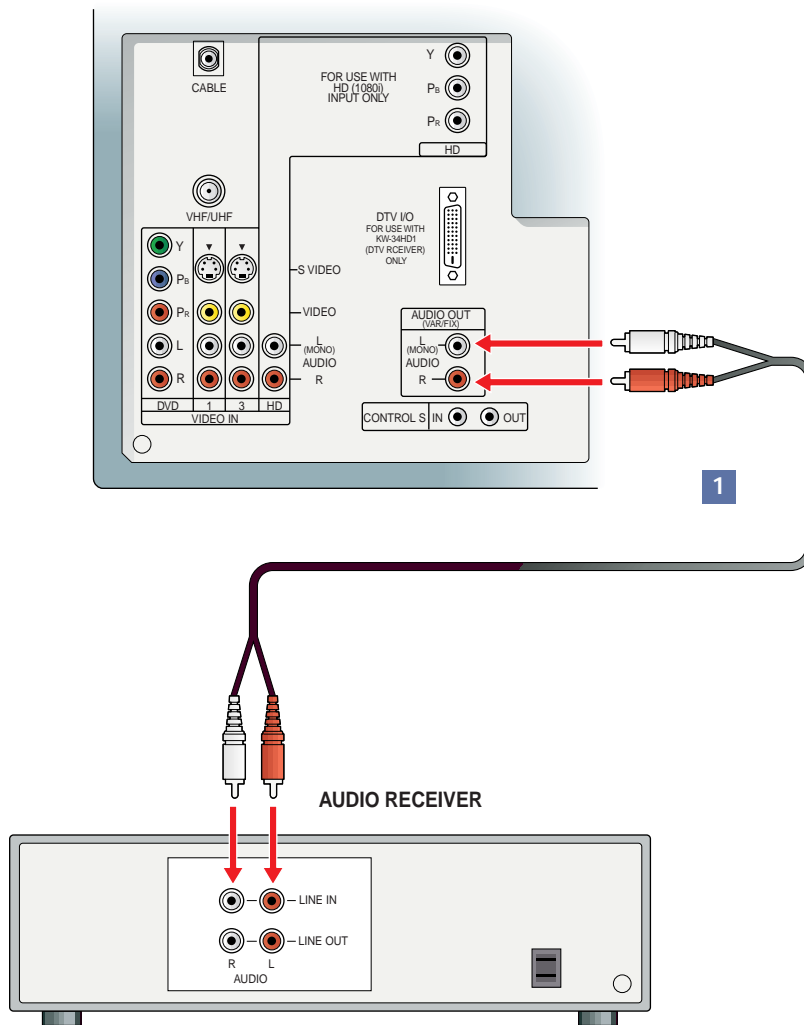
- 1 Using an **optical cable** (not supplied), connect the DTV receiver's Dolby Digital Output (Optical) jack to the A/V receiver's Digital Signal IN jack.

 A/V receiver's Digital Signal IN jacks are sometimes labeled AC-3 or PCN.



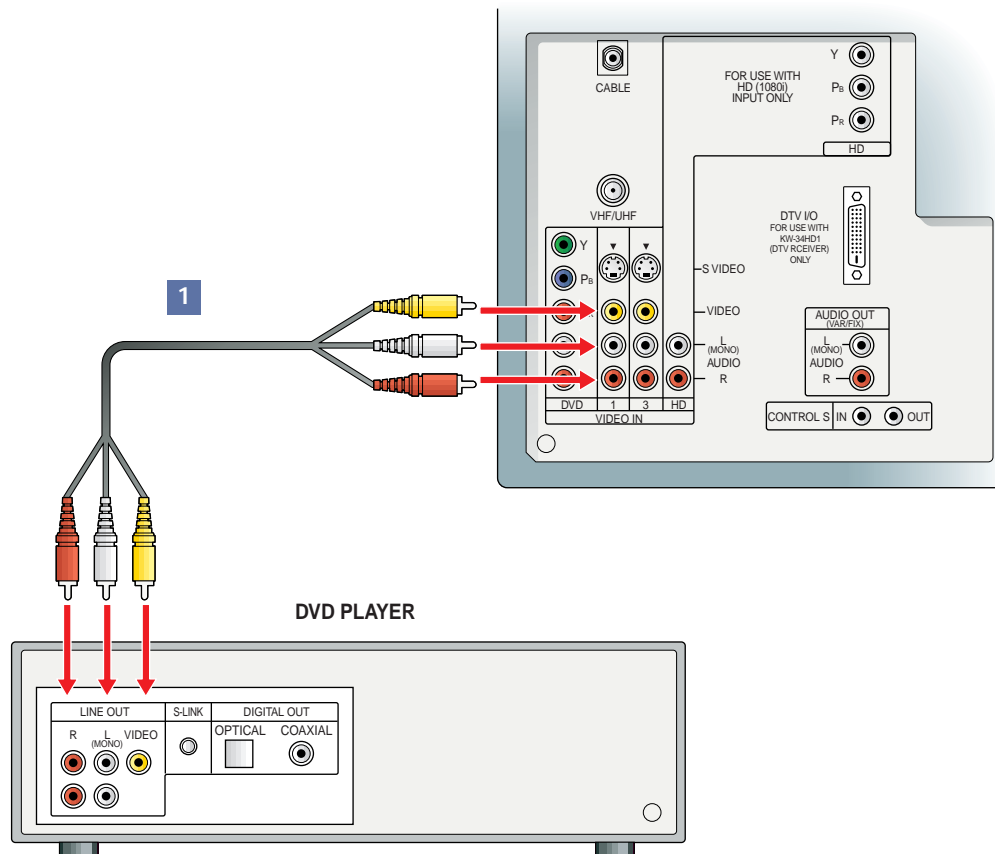
## Connecting an Audio Receiver

- 1 Using audio cables, connect the TV's AUDIO OUT jacks to the audio receiver's audio IN jacks.



## Connecting a DVD Player with A/V Connectors

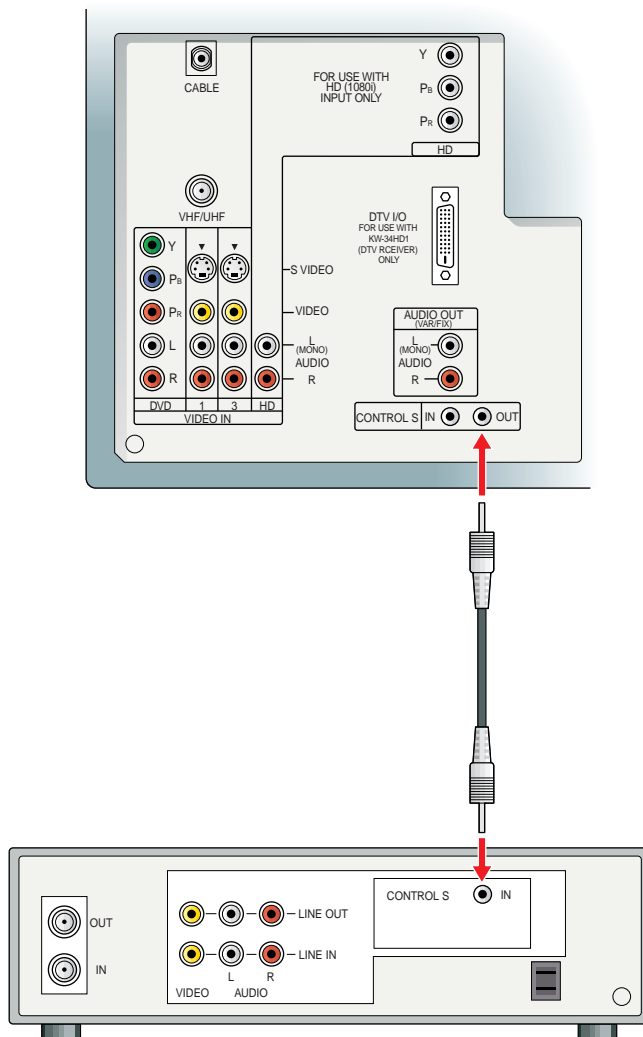
- 1 Using A/V cables, connect the DVD player's A/V OUT jacks to the TV's A/V IN jacks.



## Using the Control S Feature

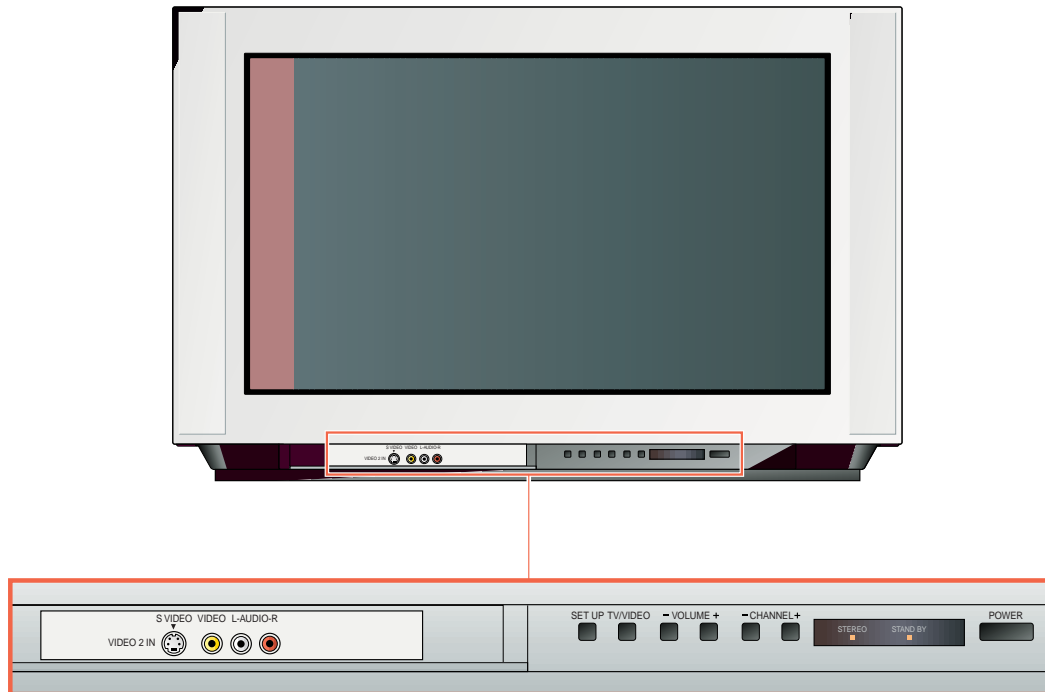
CONTROL S allows you to control your DTV system and other Sony equipment with one remote control.

To control your other Sony equipment with your DTV's remote control, use the CONTROL S cable to connect the equipment's CONTROL S IN jack to the TV's CONTROL S OUT jack.



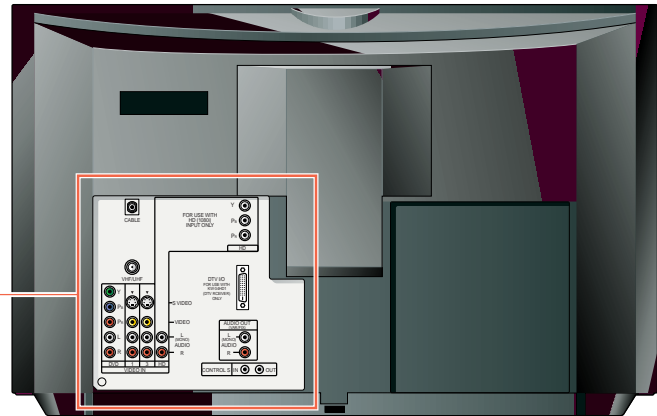
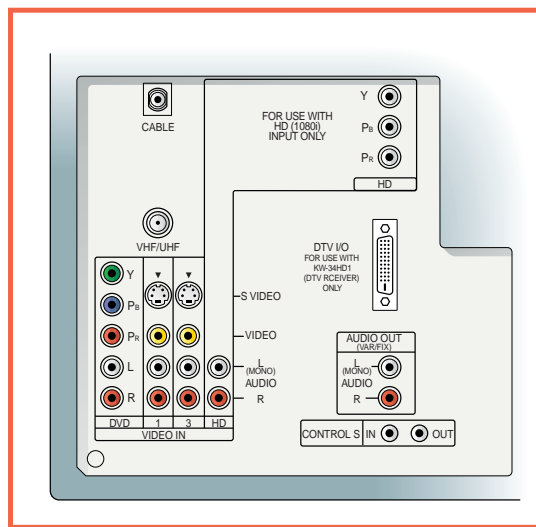
## TV Controls and Connectors

### TV Front Panel



Connection	Description
SETUP	Displays the Auto Setup screen, which enables you to run Auto Program. Auto Program automatically programs the TV to receive channels for each input source, including cable, VHF/UHF, and digital.
VIDEO 2 IN	Useful for connecting A/V components that will not be connected permanently, such as a camcorder. SVIDEO: Connects to the S VIDEO OUT jack of your S VIDEO equipped component. VIDEO and AUDIO (L/R): Connects to the audio and video OUT jacks on VCR or other video component.
TV/VIDEO	Press repeatedly to step through available video inputs: TV, VIDEO 1, VIDEO 2, VIDEO 3, DVD, HD.
VOLUME +/-	Press to adjust the volume (+ up or - down).
CHANNEL +/-	Press to scan through the channels (+ up or - down).
STEREO	Indicates the current program is broadcast in stereo.
POWER	Turns the DTV system on and off. If a video input indication (e.g., VIDEO 1, VIDEO 2) appears, press TV/VIDEO until a channel number appears.

## TV Rear Panel

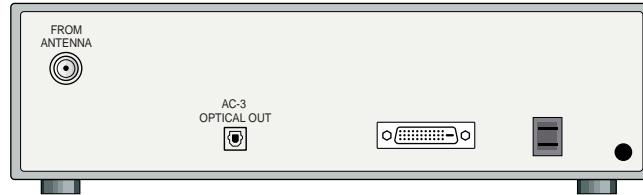


<i>Connection</i>	<i>Description</i>
CABLE	Connects to your cable.
VHF/UHF	Connects to your VHF/UHF antenna.
DVD	Connects to your DVD player's component video (Y, PB, PR) and audio (L, R) jacks.
S-VIDEO (2)	Connects to the S VIDEO OUT jack of your VCR or other Sony S VIDEO equipped video component.
AUDIO (L/R)/VIDEO (2)	Connects to the audio and video OUT jacks on your VCR or other video component. A third video input (VIDEO2) is located on the front panel of the TV.
HD/HD 1080i	Connects to digital cable boxes (as they become available in the future).
DTV I/O	Connects to the DTV receiver (model KW-34HD1 only)
AUDIO OUT (VARIABLE) L (MONO) R	Connects to the right and left audio inputs of your audio or video component.
CONTROL-S IN/OUT	Allows the TV to receive (IN) and send (OUT) remote control signals to other Sony infrared-controlled audio or video components.



## Receiver Controls and Connectors


### Receiver Rear Panel



<i>Connection</i>	<i>Description</i>
FROM ANTENNA	Connects to your terrestrial antenna. ⚡ You cannot receive digital channels unless you connect a terrestrial antenna. This applies even if you normally receive your programming through cable or satellite.
DOLBY DIGITAL OUTPUT (OPTICAL)	Allows you to connect your DTV receiver to a digital audio component.
DTV I/O	Connects to the TV's DTV I/O jack (model KW-34HD1 only)
AC In	Connects to the TV's AC plug.


## Using the Remote Control

- 1 Select the equipment that you want to use using the corresponding **FUNCTION** button (or open the lid on the remote control and set the slide switch to the position that you set for the equipment).

 The **FUNCTION** buttons flash to indicate which component the remote control is set to operate.


- 2 Aim the remote control at the equipment.
- 3 Press the **POWER** button of the equipment to turn it on and off.


To control other functions of the equipment, see the table that follows.

 Buttons described in the following table can operate video equipment other than the DTV system only if you programmed the remote control and the equipment supports the function described. See page 57 for instructions on programming the remote control.

### Outside Panel



Button	Description
MUTING	Press to mute the sound. Press again or press VOL + to restore the sound.
SLEEP	Press repeatedly until the TV displays the time in minutes (30, 60, or 90) that you want the TV to remain on before shutting off automatically. Cancel by pressing until SLEEP OFF appears.
DVD/VTR (POWER)	Turns the DVD player, MDP player, or VTR (VCR) on and off.
DBS/CABLE (POWER)	Turns the DBS receiver or cable box on and off.
TV (POWER)	Turns the DTV system on and off. If a video input indication (e.g., VIDEO 1, VIDEO 2) appears, press TV/VIDEO until a channel number appears.
DVD/VTR (FUNCTION)	Activates the remote control for use with a DVD player, MDP player, or VTR (VCR).
DBS/CABLE (FUNCTION)	Activates the remote control for use with a DBS receiver or cable box.
TV (FUNCTION)	Activates the remote control for use with the DTV.
LEFT (ZOOM UP)	Enlarges the left picture when the DTV is in P&P mode. For details, see "Using the Freeze Function" on page 40.
RIGHT (ZOOM UP)	Enlarges the right picture when the DTV is in P&P mode. For details, see "Using the Freeze Function" on page 40.
FREEZE	Switches to Picture and Picture mode, displaying the "frozen" picture frame (when FREEZE was pressed) on the left and the current program on the right. Useful for capturing information, such as phone numbers, recipes, etc. Press again to cancel. For details, see "Using the Freeze Function" on page 40.
	Switches to Picture and Picture mode, displaying left and right pictures. Press again to cancel. For details, see "Using Picture and Picture (Twin Picture) Mode" on page 39.
RESET	Resets the DTV to the factory default settings for the Video and Audio menus. For details, see pages 43 to 45.

<i>Button</i>	<i>Description</i>
WIDE ZOOM	Enlarges 4:3 pictures. The upper and lower parts of the picture are stretched to fill the 16:9 screen. Also available in the Wide Screen mode menu. For details, see “Using Wide Screen Mode” on page 38.
V CENTER	Allows you to move the picture away from the top of the screen in Wide Zoom, Zoom, and Caption modes. (Not available for Full or Normal mode pictures). Also available in the Wide Screen mode menu. For details, see “Using Wide Screen Mode” on page 38.
NORMAL/FULL	Enlarges 4:3 pictures. The picture is stretched horizontally only to fill the 16:9 screen. Also available in the Wide Screen menu. For details, see “Using Wide Screen Mode” on page 38.
ZOOM/CAPTION	Enlarges the original film dimensions to fill the 16:9 screen. Also available in the Wide Screen menu. For details, see “Using Wide Screen Mode” on page 38.
VIDEO (ALTERNATE) (for digital broadcasts only)	Toggles through the available video displays for the current program. (For example, a sporting event that broadcasts multiple camera angles.)
AUDIO (ALTERNATE) (for digital broadcasts only)	Toggles through the available audio tracks for the current program. (For example, a sporting event that broadcasts multiple commentators.)
DISPLAY	Press repeatedly to step through available displays. Caption Vision and XDS (Extended Data Services) are displayed if the broadcaster offers this service (see page 48). Cancel by pressing until DISPLAY OFF appears.
PICTURE MODE	Press repeatedly to step through the available video modes: Vivid, Standard, Movie, Sports. Also available in the Video menu. For details, see “Selecting Video Options” on page 43.
JUMP	Press to jump back and forth between two channels. The DTV alternates between the current channel and the last channel that was selected using the 0-9 buttons.
TV/VIDEO	Press repeatedly to step through available video inputs: TV, VIDEO 1, VIDEO 2, VIDEO 3, DVD, HD.
ANT	Press repeatedly to select VHF/UHF (digital), and cable inputs.
0 – 9 and ENTER	Use for direct channel selection. Press 0 – 9 to select a channel (for example, to select channel 10, press ① and ⑩), the channel changes after 2 seconds, or you can press ENTER for immediate selection.
	Use with 0 – 9 and ENTER buttons to select subchannels (for example, 2.1). For details on selecting subchannels, see page 37.
MENU	Press to display the DTV menu. For details, see “Using the DTV Menus” on page 41.
VOL +/-	Press to adjust the volume (+ up or - down).
CH +/-	Press to scan through the channels (+ up or -down).
GUIDE	Press to display the Guide. For details, see “Using the Guide to Select Subchannels” on page 37.

### Inside Panel




Button	Description
VTR1/2/3/DVD/MDP	Switches to VCR or laserdisc mode, depending on how you set up the remote control for these switch positions (see page 57).
DVD/VTR (FUNCTION)	Activates the remote control for use with a DVD player, MDP player, or VTR (VCR).
DBS/CABLE (FUNCTION)	Activates the remote control for use with a DBS receiver or cable box.
TV (FUNCTION)	Activates the remote control for use with the DTV system.
	Eject (used only with Sony brand equipment)
	Rewind
	Play
	Fast-forward
DVD MENU	Displays the DVD menu.
TV/VTR	Changes the VHF/UHF output of the VCR.
	Stop
	Pause
	Record (two buttons)
TITLE	Displays the DVD's Title menu.
CODE SET	Used for programming the remote control to operate non-Sony video equipment. For details, see "Programming the Remote Control" on page 57.
LEARN	Used for setting up the remote control to operate equipment not listed on page 58.
	Provides quick access to Dolby Digital, a virtual surround effect for Dolby-surround encoded programs. For details and other available effects, see "Selecting Audio Options" on page 45.

## Programming the Remote Control


The remote control is preset at the factory to operate Sony brand video equipment.

<i>Sony Equipment</i>	<i>Switch Position on Remote Control</i>	<i>Programmable Code Number</i>
Beta, ED Beta VCRs	VTR1	303
8 mm VCR	VTR2	302
VHS VCR	VTR3	301
DVD Player	DVD/MDP	751

If you have video equipment other than Sony brand that you want to control with the DTV's remote control, use the following procedures to program the remote control.

 The equipment must have infrared (IR) remote capability in order to be used with the remote control.

- 1 Turn to "Programmable Codes" on page 58, and find the three-digit code number for your equipment. If more than one code number is listed, use the number listed first to complete the following procedures.

 You must perform step 3 within 10 seconds of step 2, or you must start again from step 2.

- 2 Press CODE SET.
- 3 Enter the three-digit code number.
- 4 Press ENTER.

### To Check if the Code Number Works

Use the following procedure to make sure the code you've entered works:

- 1 Aim the DTV's remote control at the equipment and press the POWER button that corresponds to that equipment.
- 2 If the equipment responds, you're done. If the code doesn't work for your equipment:
  - Try programming the remote control using the other codes listed for your equipment.
  - If you cannot get your equipment to respond to the DTV's remote control — even after trying all the code numbers for your equipment — your equipment may not be compatible with the DTV's remote control. If this happens, you must use your equipment's own remote control to operate it. Try using the Learn feature to program specific buttons. See "Operating a DBS (Satellite) Receiver" on page 60.

### Tips

- If more than one code number is listed, try entering them one by one until you come to the correct code for your equipment.
- If you enter a new code number, the code number you previously entered at that setting is erased.
- In some rare cases, you may not be able to operate your equipment with the supplied remote control. In this case, use the equipment's own remote control unit.
- Whenever you remove the batteries to replace them, for example if too much time is taken, the code numbers may revert to the factory setting and must be reset.

---

*Programmable Codes***VCR Codes**

Sony VHS	301
Sony 8mm	302
Sony Beta	303
Bell & Howell	343
Daewoo	341
Emerson	316, 317, 318, 319, 320
Fisher	330, 333, 334, 335
GE	304, 329
Go Video	339, 340
Gold Star	332
Hitachi	304, 305
JVC	314
Magnavox	308, 309, 310

Mitsubishi	323, 324, 325, 326
NEC	336, 337
Panasonic	306, 307
Phillips	310
RCA	305
Samsung	313, 321, 322
Scott	312
Sharp	327, 328
Shintom	315
Symphony	338
Teknica	338, 342
Toshiba	311
Zenith	331

**Cable Box Codes**

Gemini	233
GI	218
Hamlin	223, 224, 225, 226
Jerrold	201, 202, 203, 204, 205, 206, 207, 208, 222
Macom	230, 231, 232
Magnavox	234
Oak	227, 228, 229

Panasonic	219, 220, 221
Phillips	236, 237, 238, 239, 240, 241
Samsung	235
Scientific Atlanta	209, 210, 211
Zenith	212, 213
Pioneer	214, 215
Tocom	216, 217

**MDP Codes**

Sony	701
Kenwood	707
Mitsubishi	702
Panasonic	704

Sanyo	706
Sharp	705
Yamaha	703

**DVD Codes**

Sony	751
Panasonic	753
Pioneer	752

RCA	755
Toshiba	754

**DBS (Satellite) Codes**

Sony	801
RCA	802

---

### Operating a VCR

<i>To Do This ...</i>	<i>Press</i>
Turn on/off	DVD/VTR (POWER)
Change channels	CH +/-
Record	REC (2 buttons)
Play	▶
Stop	■
Fast forward	▶▶
Rewind the tape	◀◀
Pause	(press again to resume normal playback)
Search the picture forward or backward	▶▶ or ◀◀ during playback (release to resume normal playback)
Change input mode	TV/VTR

---

### Operating an MDP

<i>To Do This ...</i>	<i>Press</i>
Turn on/off	DVD/VTR (POWER)
Play	▶
Stop	■
Pause	(press again to resume normal playback)
Search the picture forward or backward	▶▶ or ◀◀ during playback (release to resume normal playback)
Search a chapter forward or backward	CH +/-

---

### Operating a DVD Player

<i>To Do This</i>	<i>Press</i>
Turn on/off	DVD/VTR (POWER)
Play	▶
Stop	■
Pause	(press again to resume normal playback)
Step through different tracks of an audio disc	▶▶ to step forward or ◀◀ to step backward
Step through different chapters of a video disc	CH+ to step forward or CH- to step backward
Display the Title menu	TITLE
Display the DVD menu	DVD MENU
Select tracks directly	0-9 buttons
Display the menu (Set up)	MENU

---

### Operating a DBS (Satellite) Receiver

<i>To Do This ...</i>	<i>Press</i>
Turn on/off	DBS/CABLE (POWER)
Select a channel	0-9 buttons, ENTER
Change channels	CH +/-
Back to previous channel	JUMP
Change input mode	TV/DBS
Display channel number	DISPLAY
Display DBS guide	GUIDE
Display DBS menu	MENU
Move highlight (cursor)	Joystick
Select item	↔ button (press joystick)

---

### Operating a Cable Box

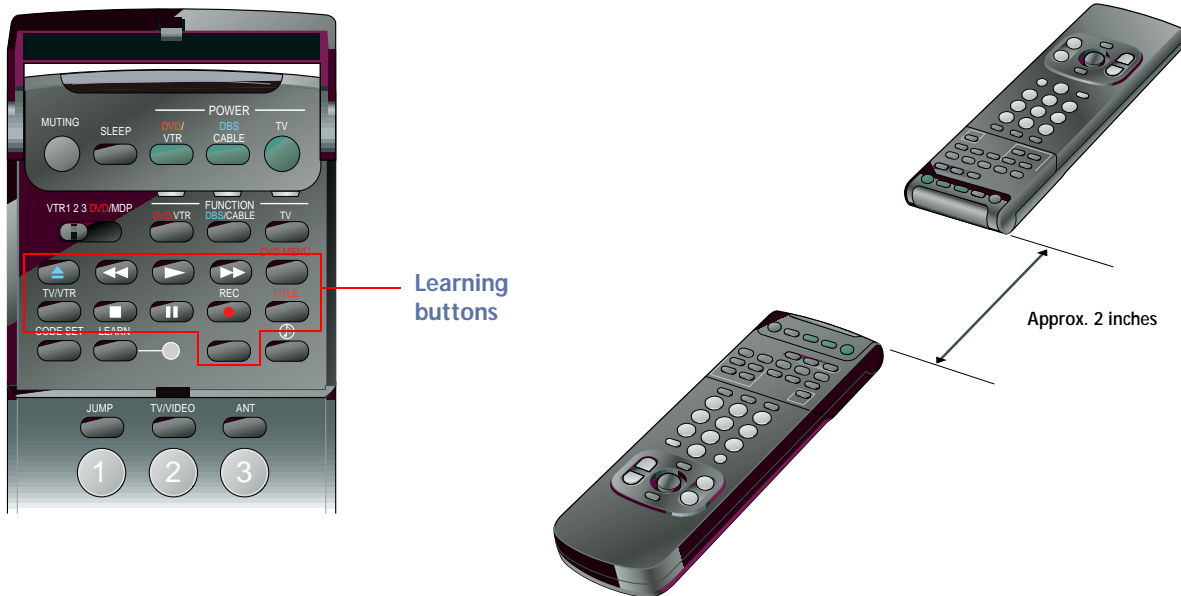
<i>To Do This ...</i>	<i>Press</i>
Turn on/off	DBS/CABLE (POWER)
Select a channel	0-9 buttons, ENTER
Change channels	CH +/-
Back to previous channel	JUMP



## Using the Learn Function

You can program the remote control to learn the functions of another manufacturer's remote control. Use this function to operate equipment that is not listed in "Programmable Codes" on page 58.

- 1 Set the slide switch in the inside panel to VTR3 or DVD/MDP.
- 2 Place the DTV's remote control and the other manufacturer's remote control directly facing each other, about two inches apart.



- 3 Press LEARN. The Learn indicator lights.
- 4 Press one of the learning buttons (see illustration) on the DTV's remote control that you want to learn a function. The Learn indicator flashes off, then on, indicating that the DTV's remote control is now ready to learn.
- 5 Hold down the corresponding button on the other component's remote control. When the Learn indicator flashes off, then on, release the button on the other component's remote control.

If the indicator doesn't flash, repeat steps 4 and 5.

- 6 To learn other functions, repeat steps 4 and 5.

### About the Learn Function

- The Learn function does not work in the VTR1 and VTR2 slide switch positions.
- During the learning procedure, do not move the remote controls.
- If you press a button on this remote control that cannot be used for learning, the Learn indicator flashes four times.
- To clear all learned signals from memory, set the slide switch inside the lid to DVVD/MDP, press LEARN, press the TV POWER button while holding down the VOL- button, and then press LEARN again.
- When you remove the batteries — to replace them, for example — any codes you've set may be erased.

## Troubleshooting

---

*No picture  
(screen not lit), no  
sound*

- Make sure the power cord is plugged in.
- Check to see if the TV/VIDEO setting is correct: when watching TV, set to TV, and when watching video tapes, set to VIDEO 1, 2, or 3.
- Try another channel. It could be station trouble.

---

*Remote control does  
not operate*

- Batteries could be weak. Replace the batteries.
- Press TV (FUNCTION) when operating your TV.
- Make sure the DTV's power cord is connected securely to the wall outlet.
- Locate the DTV at least 3-4 feet away from fluorescent lights.
- Check the orientation of the batteries.

---

*Dark, poor or no  
picture (screen lit),  
good sound*

- Adjust the Picture setting in the Video menu (see page 43).
- Adjust the Brightness setting in the Video menu (see page 43).
- Check antenna/cable connections.

---

*Good picture, no sound*

- Press MUTING so that "MUTING" disappears from the screen (see page 54).
- Check the MTS setting in the Audio menu (see page 45).
- Make sure Speaker is set to On in the Audio menu (see page 45).

---

*Cannot receive upper  
channels (UHF) when  
using an antenna*

- Use AUTO PROGRAM in the Channel Setup menu to add receivable channels that are not presently in DTV memory (see page 47).

---

*No color*

- Adjust the Color settings in the Video menu (see page 43).
- Black and white programs cannot be seen in color.

---

*Only snow and noise  
appear on the screen*

- Check the antenna/cable connections.
- Make sure the channel is broadcasting programs.
- Press ANT to change the input mode (see page 55).

---

*Dotted lines or stripes*

- Adjust the antenna.
- Move the DTV away from noise sources such as cars, neon signs, or hair-dryers.

---

*TV is fixed to one channel*

- ❑ Use Auto Program in the Channel Setup menu to add receivable channels that are not presently in DTV memory (see page 43).

---

*Double images or ghosts*

- ❑ Use a highly directional outdoor antenna or a cable (when the problem is caused by reflections from nearby mountains or tall buildings).

---

*Cannot operate menu*

- ❑ If the item you want to choose appears in gray, you cannot select it.

---

*Cannot receive any channels when using cable TV*

- ❑ Use Auto Program in the Channel Setup menu to add receivable channels that are not presently in DTV memory (see page 47).

---

*Cannot gain enough volume when using a cable box*

- ❑ Increase the volume at the cable box. Then press TV (FUNCTION) and adjust the DTV's volume.

---

*Cannot receive digital channels*

- ❑ Make sure that a terrestrial antenna is connected to the DTV receiver (page 19). You cannot receive digital channels unless you connect a terrestrial antenna. This is true even if you normally receive your programming through cable or satellite.
- ❑ Use Auto Program in the Channel Setup menu to add receivable DTV channels that are not presently in DTV memory (see page 47).
- ❑ Check your local listings to find out if you can receive digital broadcasts in your area.

---

*Unable to select a digital channel*

- ❑ Use Auto Program in the Channel Setup menu to add receivable DTV channels that are not presently in DTV memory (see page 47).

---

*No picture on a digital channel*

- ❑ Switch to a different digital channel.
- ❑ The program's alternate video source (such as an alternate camera angle) may be malfunctioning. Press Alternate Video on the remote control to choose a different video source.

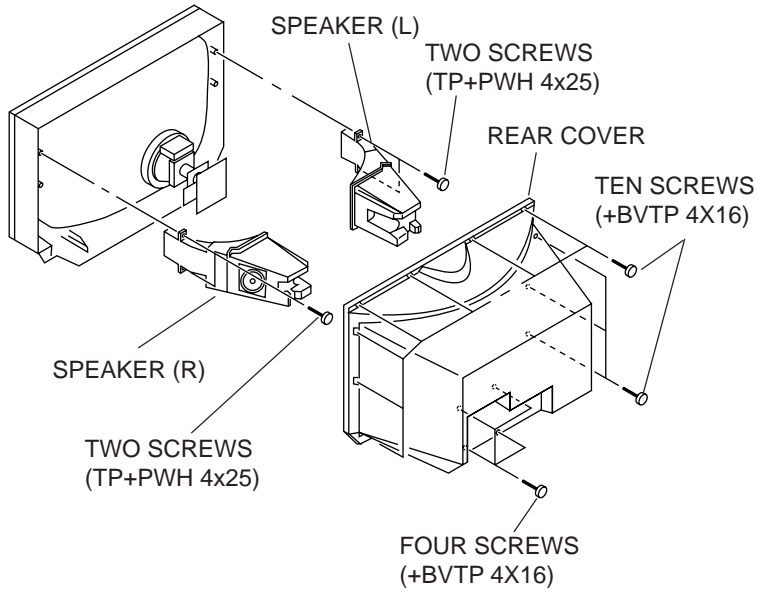
---

*No sound on a digital channel*

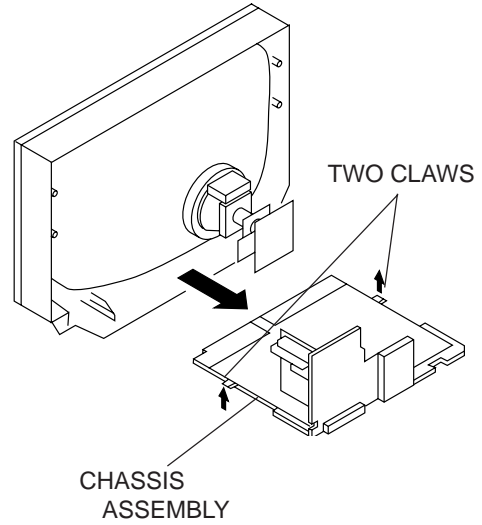
- ❑ Check the CABLE setting in the System Setup menu (see page 47).
- ❑ Check that the MTS setting in the Audio menu is set to Stereo or Mono (see page 45).
- ❑ The program's alternate audio source (such as an alternate commentator) may be malfunctioning. Press Alternate Audio on the remote control to choose a different audio source.

## SECTION 2 DISASSEMBLY

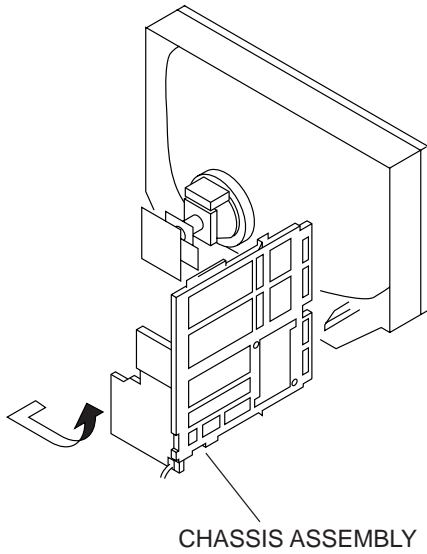
### 2-1. REAR COVER AND SPEAKER REMOVAL



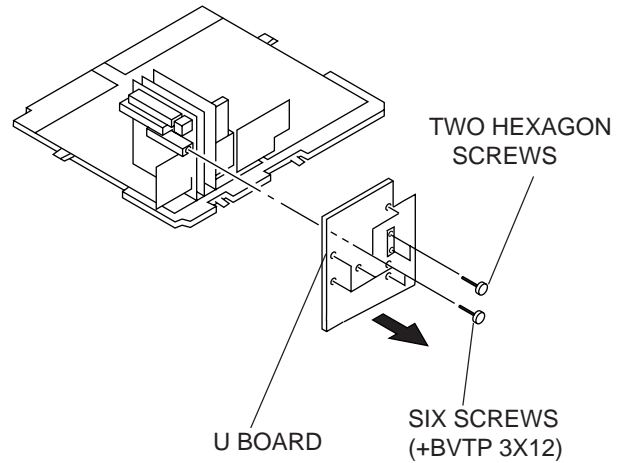
### 2-2. CHASSIS ASSEMBLY REMOVAL



### 2-3. SERVICE POSITION



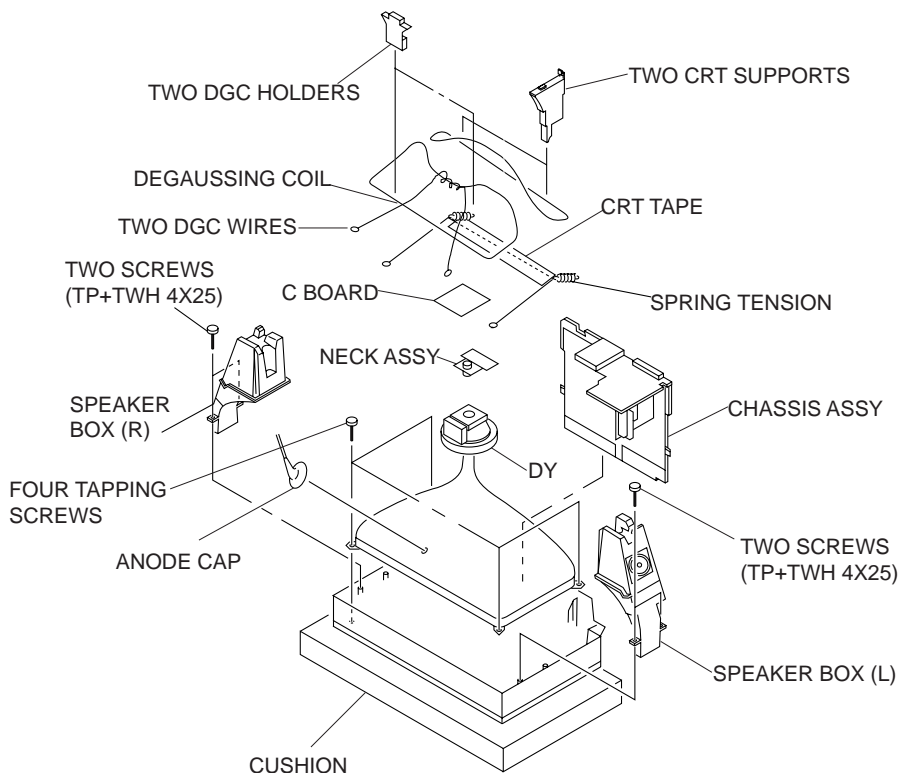
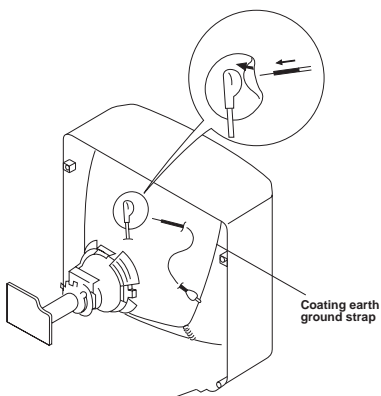
### 2-4. U BOARD BRACKET REMOVAL



## 2-5. PICTURE TUBE REMOVAL

### **WARNING** **BEFORE REMOVING ANODE CAP**

H.V. remains in the CRT even after the power is disconnected. Discharge CRT before attempting to remove the anode cap to avoid electrical shock. Short between anode and CRT coating earth ground strap.

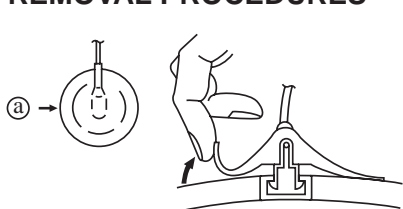


### **ANODE-CAP REMOVAL**

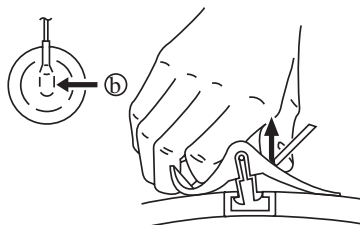
**WARNING:** High voltage remains in the CRT even after the power is disconnected. To avoid electrical shock, discharge CRT before attempting to remove the anode cap. Short between anode and coated earth ground strap of CRT.

**NOTE:** After removing the anode, short circuit the anode of the picture tube and the anode cap to either the metal chassis, CRT shield or carbon painted on the CRT.

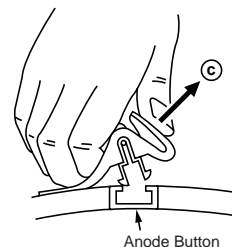
### **REMOVAL PROCEDURES**



① Turn up one side of the rubber cap in the direction indicated by arrow (a).



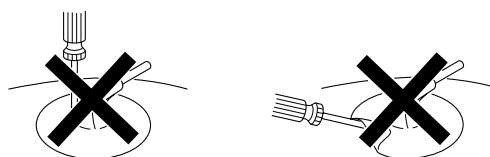
Use your thumb to pull the rubber cap firmly in the direction indicated by arrow (b).



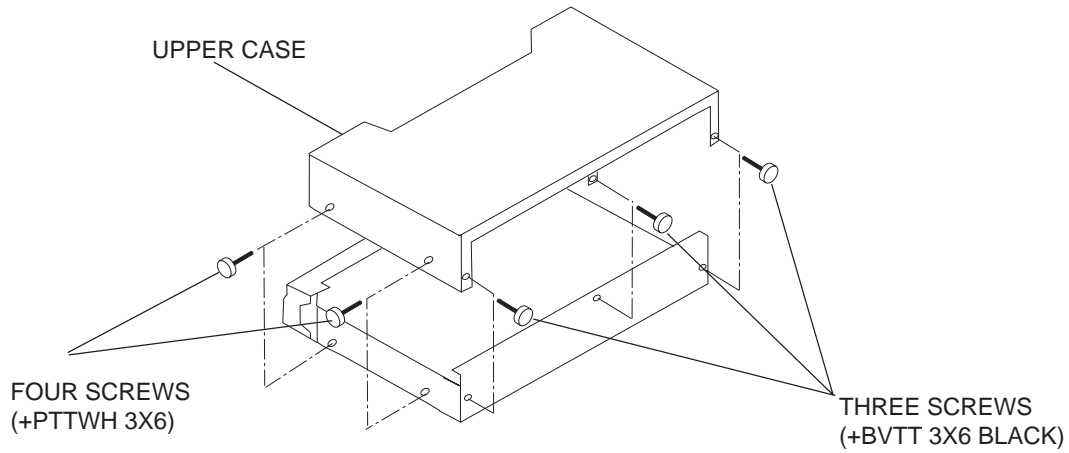
③ When one side of the rubber cap separates from the anode button, the anode-cap can be removed by turning the rubber cap and pulling it in the direction of arrow (c).

### **HOW TO HANDLE AN ANODE-CAP**

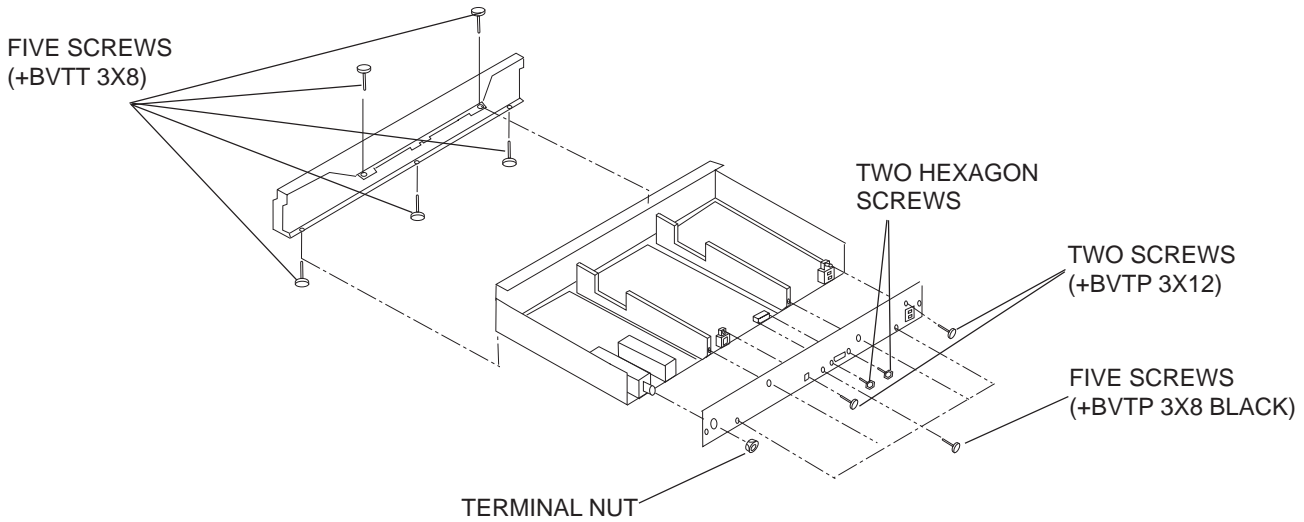
- ① Do not use sharp objects which may cause damage to the surface of the anode-cap.
- ② Do not squeeze the rubber covering too hard to avoid damaging the anode-cap. A material fitting called a shatter-hook terminal is built into the rubber.
- ③ Do not force turn the foot of the rubber cover. This may cause the shatter-hook terminal to protrude and damage the rubber.



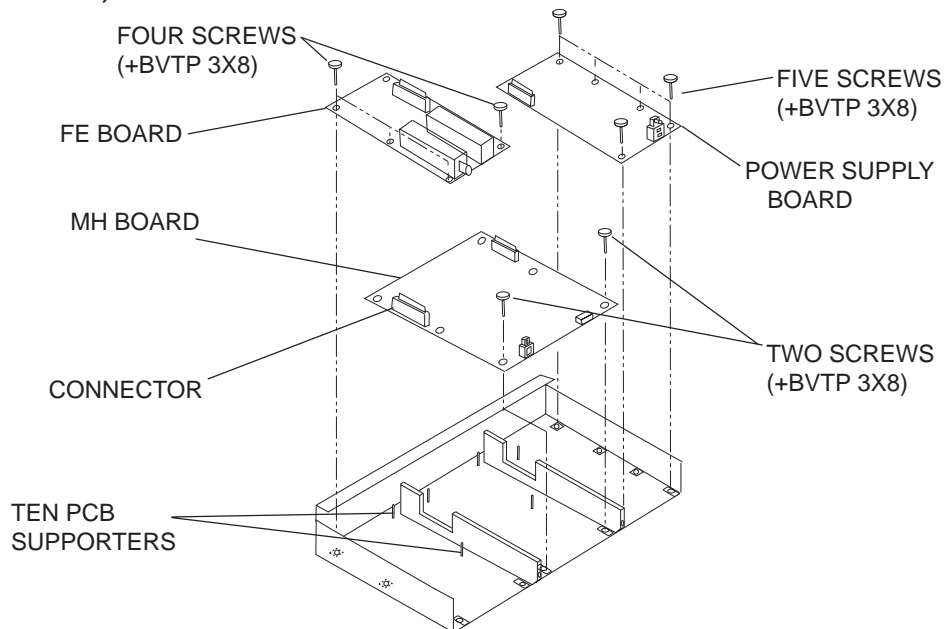
### 2-6. DTV RECEIVER UPPER CASE REMOVAL



### 2-7. DTV RECEIVER FRONT AND REAR PANEL REMOVAL



### 2-8. FE BOARD, MH BOARD, AND POWER SUPPLY REMOVAL



## SECTION 3 SET-UP ADJUSTMENTS

The following adjustments should be made when a complete realignment is required or a new picture tube is installed.

These adjustments should be performed with rated power supply voltages unless otherwise noted.

Set the controls and switch as follows unless otherwise noted:

**VIDEO MODE: STANDARD**

PICTURE control ..... 100%  
BRIGHTNESS control ..... 50%

Perform the adjustments in order as follows:

1. Beam Landing
2. V-PIN and V-CEN Adjustment
3. Convergence
4. Focus
5. Screen (G2)/White Balance

**Note:** Test Equipment Required

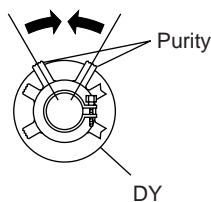
1. Color Bar Pattern Generator
2. Degausser
3. DC Power Supply
4. Digital Multimeter

### 3-1. BEAM LANDING

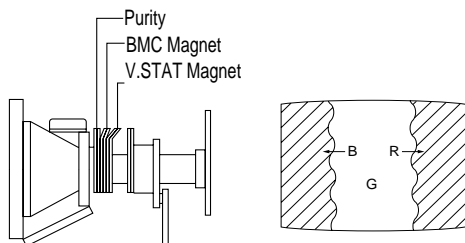
- Input a white pattern signal.
- Face the picture tube in a East or West direction to reduce the influence of geomagnetism.

NOTE: Do not use the hand degausser because it magnetizes the CRT.

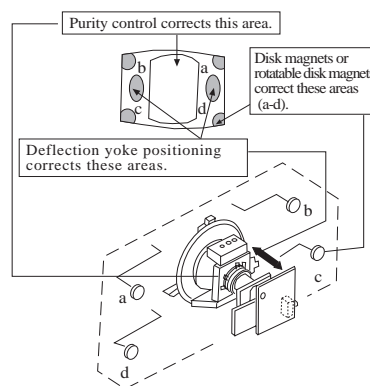
1. Input white pattern from pattern generator. Set the PICTURE control to maximum and BRIGHTNESS control to standard.
2. Perform Focus, G2 and White Balance adjustments.
3. Loosen the deflection yoke mounting screw, and set the purity control to the center as shown below:



4. Input green pattern from pattern generator.
5. Move the deflection yoke backward, and adjust with the purity control so that green is in the center and red and blue are even on both sides.



6. Move the deflection yoke forward, and adjust so that the entire screen becomes green
7. Switch over the raster signal to red and blue and confirm the condition.
8. When the position of the deflection yoke is determined, tighten it with the deflection yoke mounting screw.
9. When landing at the corner is not right, adjust using the disk magnets.



### 3-2. V-PIN and V-CEN ADJUSTMENT

- Input a cross hatch pattern.
- Face picture tube in a North/South direction and correct rotation.

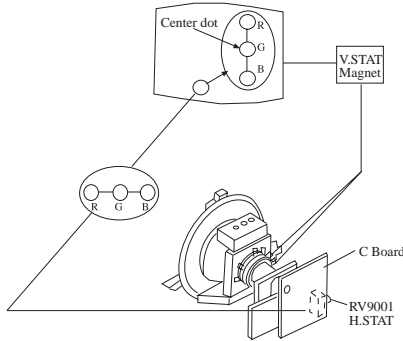
1. Set PICTURE control to 100% and BRIGHTNESS control to 50%.
2. Set service mode DM(MB88141) VCEN so that top pin and bottom pin are symmetrical from top to bottom.
3. Set service mode DM(MB88141) VPIN so top and bottom pin are symmetrical from top to bottom.

### 3-3. CONVERGENCE ADJUSTMENT

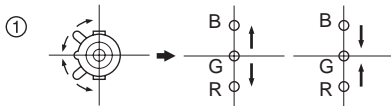
- Set CONTRAST and BRIGHTNESS control to 50%.
- Input HD dot pattern.

#### Vertical and Horizontal Static Convergence

1. Adjust H.STAT convergence RV 9001 to converge red, green and blue dots in the center of the screen.
2. Adjust V.STAT magnet to converge red, green and blue dots in the center of the screen.
3. If horizontal convergence is not correct, adjust V.STAT magnet and RV9001 on C Board while tracking.



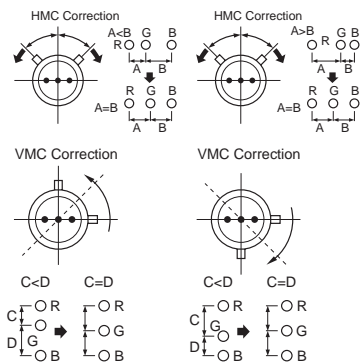
4. Tilt the V.STAT magnet and adjust static convergence to open or close the V.STAT magnet.



#### Operation of BMC (Hexapole) Magnet

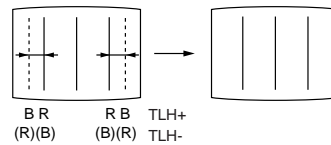
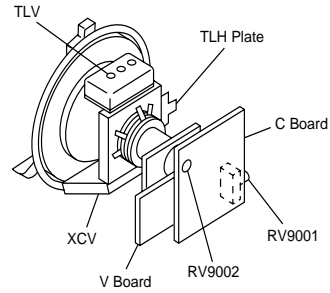
The respective dot positions resulting from moving each magnet interact, so perform adjustment while tracking.

Use the V.STAT tabs to adjust the red, green, and blue dots so they line up at the center of the screen (move the dots in a horizontal direction.)



#### TLH Plate Adjustment

- Input cross-hatch pattern.
- Adjust PICTURE QUALITY to standard, PICTURE and BRIGHTNESS to 50%, and OTHER to standard.
- Adjust the Horizontal Convergence of red and blue dots by tilting the TLH plate on the deflection yoke.



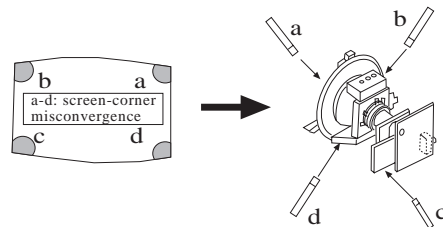
1. Adjust XCV core to balance X axis.
2. Adjust vertical red and blue convergence with V.TILT (TLV VR.)

Perform adjustments while tracking items 1-2.

#### Screen-corner Convergence

- Input a cross hatch signal

Affix a permalloy assembly to correspond with the misconverged areas:





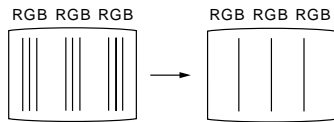
**Dynamic Convergence Adjustments**

- Set dynamic convergence using the following service mode adjustment data:

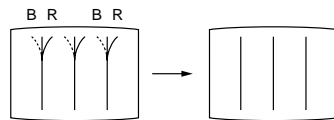
**CXA80701P**

No.	Register Name	Function	Data Length	Initial Data
0	SBHS	DC-AMP3	0-63	31
1	YBWU	VCA9	0-63	31
2	YBWL	VCA10	0-63	31
3	RSAP	DC-AMP1	0-63	31
4	RUBW	VCA5	0-63	31
6	RLBW	VCA6	0-63	31
8	LSAP	DC-AMP2	0-63	31
9	LUBW	VCA1	0-63	31
11	LLBW	VCA2	0-63	31

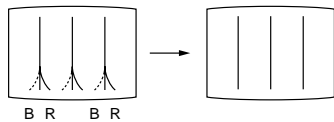
0. SBHS (DC SHIFT)



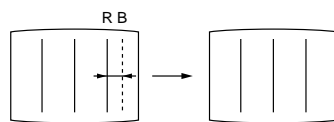
1. YBWU (UPPER Y-BOW)



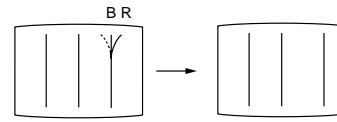
2. YBWL (BOTTOM BOW)



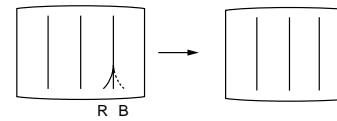
3. RSAP (RIGHT AMP)



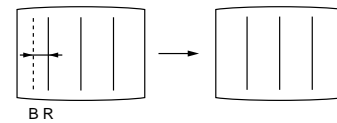
4. RUBW (RIGHT SIDE UPPER C-BOW)



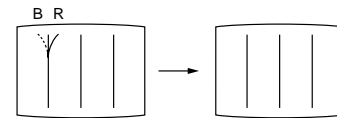
6. RLBW (RIGHT SIDE BOTTOM C-BOW)



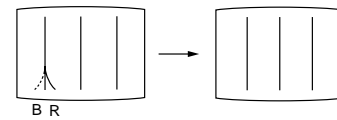
8. LSAP (LEFT AMP)



9. LUBW (LEFT SIDE UPPER C-BOW)

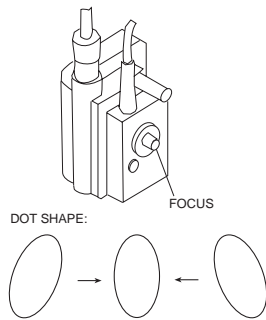


11. LLBW (LEFT SIDE BOTTOM C-BOW)



### 3-4. FOCUS ADJUSTMENT

1. Input a dot signal.
2. Set VIDEO mode to standard.
3. Adjust focus VR counter-clockwise to confirm the dot's shape is centered. Adjust neck assembly rotation.



4. Input a HD monoscope signal.
5. Adjust center focus with focus VR.

### 3-5. SCREEN (G2)

1. Input a monoscope pattern and set to ZOOM mode.
2. Set to service mode and adjust as follows:

SDA9361

No.	Disp.	Item	Avg.
00	VPOS	V-SHIFT	0
01	VSIZ	V-SIZE	0
23	SVSC	START V-SCAN (scroll)	250
26	VWD1	V-SCAN w/width 1(zoom1)	250

C2101-2

No.	Disp.	Item	Avg.
00	ALBK	ALL_BLK	0
04	BLKS	BLK_SW	1

3. Adjust RV9002 so that voltage on red, green and blue cathodes is  $170.0 \pm 0.5V$  DC.
4. Observe the screen and adjust SCREEN (G2) VR on FBT to obtain the faintly visible background of dot signal.

Note: Never set ALBK to 1 when external power supply is connected to cathode.

### 3-6. PICTURE QUALITY ADJUSTMENT

#### Initial set-up condition

1. Set VIVID (Picture : MAX, GAMMA :4)
2. Dynamic-color: Off (=Trinitone: MID).
3. Set the service mode to the following:

C2101A-4

No.	Name	Control Function	Avg. Data
00	HUE	HUE	31
01	COL	Color	35

C2101A-4

No.	Name	Control Function	Avg. Data
01	UBRT	Brightness	33 - 37
06	UDCL	Dynamic color: Off	1 - 0

CHROMA-1

No.	Name	Control Function	Avg. Data
12	DCTR	DC TRAN: 100%	1 - 0
14	DPIC	Dynamic Pic: Off	0 - 1

CHROMA-2

No.	Name	Control Function	Avg. Data
12	DCTR	DC TRAN: 100%	1 - 0
14	DPIC	Dynamic Pic: Off	0 - 1

4. Input Signal:  
Color Bar Video 100 IRE (White) 75% 7.5% Set up  
RF 75 IRE (White) 75% 7.5% Set up

#### 3-6-1. VIDEO INPUT -- Two Picture Sub Contrast Adjustment

1. Input a Color Bar signal to VIDEO 1 (100 IRE 75%).
2. Set picture mode: P&P (MID).
3. Set to service mode and adjust as follows:

C2101-4

No.	Name	Control Function	Avg. Data
02	UCOL	COLOR	0
25	SCON	SUB_CON	3

C2101-2

No.	Name	Control Function	Avg. Data
01	RGBS	R ON	4

CHROMA-1

No.	Name	Control Function	Avg. Data
03	SPIC	SUB CONT	5

CHROMA-2

No.	Name	Control Function	Avg. Data
03	SPIC	SUB CONT	5

4. Connect oscilloscope to Pin 1 of CN9001 (R. DRV) on C Board.
5. Adjust MAIN (right) side contrast according to service mode for YDRV.

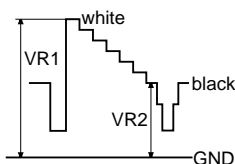
CHROMA-1

No.	Name	Control Function
06	YDRV	Y DRIVE

6. Adjust SUB (left) side contrast according to service mode for YDRV.

CHROMA-2

No.	Name	Control Function
06	YDRV	Y DRIVE



$$VR1-VR2 = DVR = 2.40 \pm 0.07Vp-p$$

7. Write data from 5 and 6 above into memory.

**3-6-2. VIDEO INPUT - Sub Hue/Sub Color Adjustment**

1. Input a Color Bar signal to VIDEO 1 (100 IRE 75%).
2. Set picture mode: P&P (MID).
3. Set to service mode and adjust as follows:

C2101-4

No.	Name	Control Function	Avg. Data
02	UCOL	COLOR	35
26	SCOL	SUB_COL	3
27	SHUE	SUB_HUE	7

C2101-2

No.	Name	Control Function	Avg. Data
01	RGBS	RGB ON	7

CHROMA-1

No.	Name	Control Function	Avg. Data
04	SHUE	SUB_HUE	7
05	SCOL	SUB_COL	10

CHROMA-2

No.	Name	Control Function	Avg. Data
04	SHUE	SUB_HUE	7
05	SCOL	SUB_COL	10

4. Connect oscilloscope to Pin 5 of CN9001 (B. DRV) on C Board.
5. Adjust MAIN (right) side color according to service mode for COL.
6. Adjust MAIN (right) side color according to service mode for HUE.

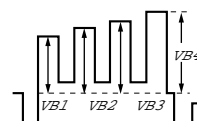
CHROMA-1

No.	Name	Control Function
00	HUE	HUE
01	COL	COL

7. Adjust SUB (left) side color according to service mode for COL.
8. Adjust SUB (left) side color according to service mode for HUE.

CHROMA-2

No.	Name	Control Function
00	HUE	HUE
01	COL	COL



$$COLOR: VB1 \leq VB4 (=VB1 + 0\sim 90mV)$$

$$HUE: VB2 \leq VB3 (=VB2 + 0\sim 90mV)$$

9. Write data into memory.

**3-6-3. RF INPUT Two Picture Sub Contrast Adjustment**

1. Input a Color Bar signal to RF (75 IRE 75%).
2. Set picture mode: P&P.
3. Set to service mode and adjust as follows:

C2101-4

No.	Name	Control Function	Avg. Data
02	UCOL	COLOR	0
25	SCON	SUB_CON	3

C2101-2

No.	Name	Control Function	Avg. Data
01	RGBS	R ON	4

CHROMA-1

No.	Name	Control Function	Avg. Data
06	YDRV	Y DRIVE	Note-1

CHROMA-2

No.	Name	Control Function	Avg. Data
06	YDRV	Y DRIVE	Note-1

Note1: Use the same average data as 3-6-1 items 5 and 6 after the adjustment.

4. Connect oscilloscope to Pin 1 of CN9001 (R. DRV) on C Board.

5. Adjust MAIN (right) side contrast according to service mode for SPIC.

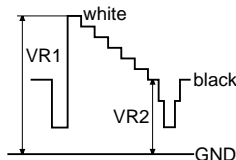
CHROMA-1

No.	Name	Control Function
03	SPIC	SUB CONT

6. Adjust SUB (left) side contrast according to service mode for SPIC.

CHROMA-2

No.	Name	Control Function
03	SPIC	SUB CONT



$$VR1-VR2 = \Delta VR = 1.90 \pm 0.07Vp-p$$

7. Write data from 5 and 6 above into memory.

**3-6-4. RF INPUT-Sub Hue/Sub Color Adjustment**

1. Input a Color Bar signal to RF (75 IRE 75%).

2. Set picture mode: P&P (MID).

3. Set to service mode and adjust as follows:

C2101-4

No.	Name	Control Function	Avg. Data
02	UCOL	COLOR	35
26	SCOL	SUB_COL	3
27	SHUE	SUB_HUE	7

C2101-2

No.	Name	Control Function	Avg. Data
01	RGBS	RGB ON	7

CHROMA-1

No.	Name	Control Function	Avg. Data
00	HUE	HUE	Note-2
01	COL	COL	Note-2

CHROMA-2

No.	Name	Control Function	Avg. Data
00	HUE	HUE	Note-2
01	COL	COL	Note-2

Note 2: Use the same average data as 3-6-2 items 5,6,7,8 after the adjustment.

4. Connect oscilloscope to Pin 5 of CN9001 (B. DRV) on C Board.

5. Adjust MAIN (right) side color according to service mode for COL.

6. Adjust MAIN (right) side color according to service mode for HUE.

CHROMA-1

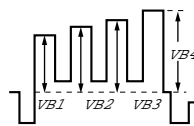
No.	Name	Control Function
04	SHUE	SUB HUE
05	SCOL	SUB COLOR

7. Adjust SUB (left) side color according to service mode for COL.

8. Adjust SUB (left) side color according to service mode for HUE.

CHROMA-2

No.	Name	Control Function
04	SHUE	SUB HUE
05	SCOL	SUB COLOR



$$COLOR: VB1 \leq VB4 (=VB1 + 0\sim 90mV)$$

$$HUE: VB2 \leq VB3 (=VB2 + 0\sim 90mV)$$

8. Write data into memory.

**3-6-5. VIDEO 1 Picture - Sub Contrast Adjustment**

1. Input a Color Bar signal to VIDEO 1 (100 IRE 75%).

2. Set picture mode: FULL (DRC).

3. Set to service mode and adjust as follows:

C2101-4

No.	Name	Control Function	Avg. Data
02	UCOL	COLOR	0

C2101-2

No.	Name	Control Function	Avg. Data
01	RGBS	R ON	4

CHROMA-1

No.	Name	Control Function	Avg. Data
03	SPIC	SUB CONT	5
06	YDRV	Y DRIVE	Note-2

CHROMA-2

No.	Name	Control Function	Avg. Data
03	SPIC	SUB CONT	5
06	YDRV	Y DRIVE	Note-2

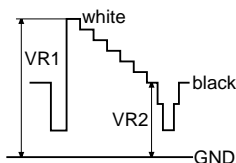
Note 2: Use the same average data as 3.5.1 items 5 and 6 after the adjustment.

4. Connect oscilloscope to Pin 1 of CN9001 (R. DRV) on C Board.

5. Adjust Sub Contrast with service mode SCON.

C2101-4

No.	Name	Control Function
25	SCON	SUB CONTRAST



$$VR1 - VR2 = \Delta VR = 2.50 \pm 0.07V_{p-p}$$

6. Write data from into memory.

**3-6-6. VIDEO 1 Picture-Sub Hue/Sub Color Adjustment**

1. Input a Color Bar signal to VIDEO 1 (100 IRE 75%).

2. Set picture mode: FULL (DRC)

3. Set to service mode and adjust as follows:

C2101-4

No.	Name	Control Function	Avg. Data
02	UCOL	COLOR	35

C2101-2

No.	Name	Control Function	Avg. Data
01	RGBS	RGB ON	7

CHROMA-1

No.	Name	Control Function	Avg. Data
00	HUE	HUE	Note-2
01	COL	COL	Note-2
04	SHUE	SUB HUE	7
05	SCOL	SUB COLOR	10

CHROMA-2

No.	Name	Control Function	Avg. Data
00	HUE	HUE	Note-2
01	COL	COL	Note-2
04	SHUE	SUB HUE	7
05	SCOL	SUB COLOR	10

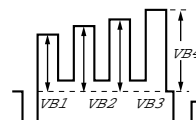
Note 2: Use the same average data as 3-6-2 items 5,6,7, and 8 after the adjustment.

4. Connect oscilloscope to Pin 5 of CN9001 (B. DRV) on C Board.

5. Adjust Sub Contrast and Sub Hue with service mode for SCOL and SHUE.

C2101-4

No.	Name	Control Function
26	SCOL	SUB COLOR
27	SHUE	SUB HUE



$$\begin{aligned} \text{COLOR: } & VB1 \leq VB4 (=VB1 + 0\sim 90mV) \\ \text{HUE } & : VB2 \leq VB3 (=VB2 + 0\sim 90mV) \end{aligned}$$

8. Write data into memory.

**3.7 WHITE BALANCE (CRT) AND SUB BRIGHT ADJUSTMENT**

**White Balance**

1. Input an all white 31.5KHz or 33.75KHz signal into the EXT HD input terminal.

2. Set the following:

- Trinitron: MID
- Picture: Vivid Mode
- Full Mode
- DCOL: Off
- Color: Min.

3. Adjust white balance in the service mode and set the following data:

C2101-1

No.	Name	Control Function	Avg. Data
00	CB01	CB-OFFSET1	Fix: 7
01	CR01	CR-OFFSET1	Fix: 7
06	RDRV	R-DRIVE	Fix: 41
07	GDRV	G-DRIVE	Adjust
08	BDRV	B-DRIVE	Adjust
09	RCUT	R-CUT OFF	Fix: 41
10	GCUT	G-CUT OFF	Adjust
11	BCUT	B-CUT-OFF	Adjust

4. Input an all black (OIRE 0% SET UP) 31.5KHz or 33.75KHz signal into the DTV input terminal.

5. Adjust sub-brightness with SBRT, in the service mode and set the following data:

C2101-1

No.	Name	Control Function	Avg. Data
02	SBOF	SUB-BRIGHT OFFSET	Fix: 31
05	SBRT	SUB-BRIGHT	Adjust

6. Change TRINITRON to HI or NTSC standard as follows:

Trinitone	Hi	MID	NTSC Standard
D-COL	ON	OFF	OFF
C2101-4-05 (UTMP)	2	1	0
C2101-1	Same as MID	Adjust	Same as MID
-07 (GDRV)		Adjust	
-08 (BDRV)		Adjust	
-10 (GCUT)		Adjust	
-11 (BCUT)		Adjust	
-05 (SBRT)		Adjust	
-12 (SBOF)	31	X	31
-13 (GDOF)	31	X	25
-14 (BDOF)	31	X	18
-15 (GCOF)	31	X	24
-16 (BCOF)	31	X	09
(31: off-set 0)			
X: Before setting mode (Trinitone Hi or NT-STAN) data			

7. Repeat steps 3 to 5.

### White Balance Adjustment -VIDEO

1. Input an all white video signal (15.734KHz) into the VIDEO input.

2. Set the following:

Picture Quality: VIVID  
 DCOL: Off  
 Color: Center  
 TRINITRON: MID  
 Picture Mode: Full

3. Adjust the pedestal off-set to adjust the white balance in the service mode and set the following data:

C2101-1

No.	Name	Control Function	Avg. Data
00	CB01	CB-OFFSET1	Adjust
01	CR01	CR-OFFSET1	Adjust

4. Input an all black (OIRE 7.5% SET UP) 15.734KHz signal into the video input terminal.

5. Adjust sub-brightness with SBRT in the service mode and set the following data:

C2101-1

No.	Name	Control Function	Avg. Data
02	SBOF	SUB-BRIGHT OFFSET	Adjust
05	SBRT	SUB-BRIGHT	Adjust at 1080i

6. Change picture mode to normal mode and set as follows:

C2101-1

No.	Name	Control Function	Avg. Data
02	SBOF	SUB-BRIGHT OFFSET	Adjust
05	SBRT	SUB-BRIGHT	Adjust at 1080i

### 3-8. RASTER CENTER ADJUSTMENT

1. Input a monoscope signal.

2. Set to NTSC (RC) mode.

3. Set to the service mode and adjust the following:

C2101-2

No.	Name	Control Function	Avg. Data
11	AGNG	AGING1, AGING2	2

SDA9361

No.	Name	Control Function	Avg. Data
04	HPOS	H-shift	+50
21	BD	Blanking disable	1

4. Adjust H-Center with DM-2.

5. Write NTSC (RC) adjusted value into normal mode - MID mode.

6. Input a HD monoscope signal and set to Full mode.

7. Repeat steps 3 to 4.





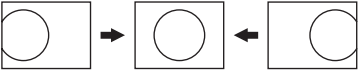

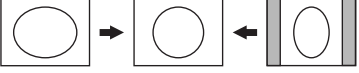




8. Adjust the best screen size with H-CENT and shift value to the following:

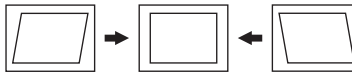
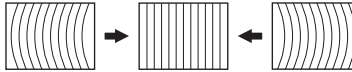


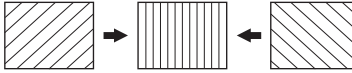
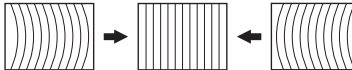
Note: Distance from raster edge and effective screen edge converted to data  
 As +3 steps right and left equal.

Note: Full:  
 In NTSC normal mode. To above shift amount add additional -1 step.  
 For HD/33KHz, +2 steps (for VGA normal, copy full mode adjusted value).

**3-9. PICTURE DISTORTION ADJUSTMENTS**

SDA9361

- 0. VPOS ( V-POSITION) 
- 1. VSIZE (V-SIZE) 
- 2. VLIN (V-LINE) 
- 3. VSCO (VS-COR) 
- 4. HPOS (H-SHIFT) 
- 5. SUBH (SUB H-SIZE) 
- 6. HSIZ (H-SIZE) 
- 7. PAMP (PIN AMP) 
- 8. PUPC (UP COR PIN COR) 
- 9. PLOC 
- 10. PPHA(PIN PHASE) 

- 11. VANG (V-ANGLE) 
  - 12. VBOW (V-BOW) 
- DM
- 3. VPIN (V-PIN) 
  - 5. HTPZ 
  - 7. LANG (L-ANGLE) 
  - 8. LBOW (LOW BOW) 

**3-10. 15 KHz Mode Adjustment (31.5 KHz DRC)**

- 1. Face picture tube East/West direction.
- 2. Complete up and down position and up and down pin distortion adjustment first.
- 3. Input a monoscope signal.
- 4. Set to service mode and adjust picture distortion as follows:

SDA9361

- 00 VPOS
- 01 VSIZE
- 02 VLIN
- 03 VSCO
- 05 SUBH
- 06 HSIZ
- 07 PAMP
- 08 PUPC
- 09 PLOC
- 10 PPHA

11 VANG  
12 VBOW

*DM*

03 VPIN  
04 VCEN  
05 HTPZ  
07 LANG  
08 LBOW

Note: Vertical size is 11.8 sq. and Horizontal size is 15.8 sq.

5. Confirm picture size is within specs. Write data into memory then set screen to Normal Mode.

6. Copy Full mode data for the following items:

*SDA9361*

11 VANG  
12 VBOW

*DM*

02 HCEN  
03 VPIN  
04 VCEN  
05 HTPZ  
07 LANG  
08 LBOW

7. Readjust the items below:

*SDA9361*

00 VPOS  
01 VSIZE  
02 VLIN  
03 VSCO  
04 HPOS  
05 SUBH  
07 PAMP  
54 HBPH

*DM*

00 MPIN

Note: Vertical size is 11.8 sq. and Horizontal size is 16 sq.  
The blanking (black) width of both sides on screen should be the same. Each side should measure 95 mm. Use HBPH and HSIZ to fine adjust.

8. Write data into memory, then set to Wide Zoom mode.

9. Copy Full mode data for the following items:

*SDA9361*

00 VPOS  
01 VSIZ  
04 HPOS  
11 VANG  
12 VBOW

*DM*

00 MPIN  
02 HCEN  
03 VPIN  
04 VCEN  
05 HTPZ  
07 LANG  
08 LBOW

10. Shift the following Full Mode data:

*SDA9361*

02 VLIN Full data -13  
03 VSCO Fulldata +41

*DM*

01 SLIN Full data +5

11. Readjust the items below:

*SDA9361*

05 or 06 HSIZ or SUBH  
07 PAMP  
08 PUPC  
09 PLOC  
23 SVSC  
26 VWDI

Note: Vertical size is 11.8 sq and Horizontal size is 15.8 sq.  
Use SVSC to change vertical scan position without affecting pin distortion. Use VWDI to change vertical size without other geometric distortion.

12. Write data into memory, then set to Zoom mode.

13. Copy Full mode data for the following items:

*SDA9361*

00 VPOS  
01 VSIZE  
02 VLIN  
03 VSCO  
05 SUBH  
06 HSIZ  
07 PAMP  
08 PUPC  
09 PLOC  
10 PPHA  
11 VANG  
12 VBOW

*DM*

03 VPIN  
04 VCEN  
05 HTPZ  
07 LANG  
08 LBOW



14. Shift VSIZ Full data + 20

15. Readjust the items below:

*SDA9361*

01	VSIZ
05	SUBH
06	HSIZ
07	PAMP
08	PUPC
09	PLOC
23	SVSC
26	VWDI

Note: Vertical size is 9.0 sq and Horizontal size is 15.8 sq.

16. Write data into memory, then set to Closed Caption mode.

17. Copy Wide Zoom mode data for the following items:

*SDA9361*

00	VPOS
01	VSIZE
02	VLIN
03	VSCO
05	SUBH
06	HSIZ
07	PAMP
08	PUPC
09	PLOC
10	PPHA
11	VANG
12	VBOW

*DM*

03	VPIN
04	VCEN
05	HTPZ
07	LANG
08	LBOW

18. Write data into memory

---

### 3-11. 33KHz HD /31KHz VGA /525P Mode Adjustment

---

1. Input the appropriate signal, HD, 31.5VGA or 525P signal.

2. Copy Full mode data for the following items:

*SDA9361*

00	VPOS
01	VSIZE
02	VLIN
03	VSCO
05	SUBH
06	HSIZ
07	PAMP

08	PUPC
09	PLOC
10	PPHA
11	VANG
12	VBOW

*DM*

03	VPIN
04	VCEN
05	HTPZ
07	LANG
08	LBOW

3. Adjust geometry similar to Full DRC mode.

Note: Vertical size is 11.8 sq. and Horizontal size is 15.8 sq if monoscope signal is available. Otherwise use Vertical size as 90% scan, Horizontal size as 91% scan.

4. Write data into memory.

---

### 3-12. Twin Picture Mode

---

1. To access adjustment of twin mode (special mode in order to adjust), push the Test button and Twin button, then go to service mode.

2. Copy Full mode data for the following items:

*SDA9361*

00	VPOS
01	VSIZE
02	VLIN
03	VSCO
05	SUBH
06	HSIZ
07	PAMP
08	PUPC
09	PLOC
10	PPHA
11	VANG
12	VBOW

*DM*

03	VPIN
04	VCEN
05	HTPZ
07	LANG
08	LBOW

3. Adjust geometry similar to Full DRC mode.

4. Readjust the following:

*MID*

03	HPHA
12	HPHB
04	VPHA
13	VPHB

## SECTION 4 CIRCUIT ADJUSTMENTS

### ELECTRICAL ADJUSTMENT BY REMOTE COMMANDER

Use Remote Commander (RM-Y158) to perform the following circuit adjustments:

NOTE : Test Equipment Required:

1. Pattern Generator
2. Frequency Counter
3. Digital Multimeter
4. Audio OSC

#### 4-1. Entering Service Adjustment Mode

1. Standby mode. (Power off)
2. **[DISPLAY]** → **[5]** → **[VOL(+)]** → **[POWER]** on the Remote Commander. (Press each button within a second.)

#### SERVICE ADJUSTMENT MODE VIEW

Device Item	Data Item	
SDA9361	0 +7 G	
00000000	33.75KHz/60Hz	
VPOS		HDTV
338	338	

Register Item points to the first two rows of the table.

#### Reading the Memory

1. Enter into Service Mode
2. Press **[0]** on the remote commander.

#### Adjusting the Picture

1. Enter into Service Mode.
2. Press **[2]** or **[5]** on the Remote Commander to select the device item.
3. Press **[1]** or **[4]** on the Remote Commander to select the item.
4. Press **[3]** or **[6]** on the Remote Commander to change the data.
5. Press **[MUTING]** then **[ENTER]** to write into memory.

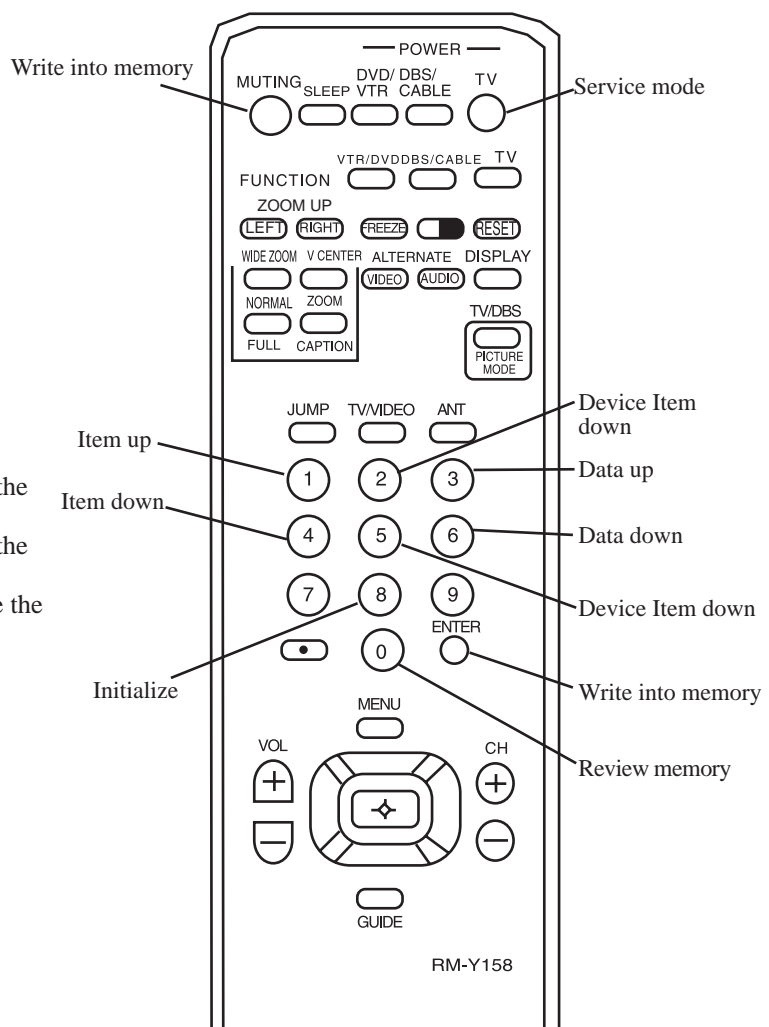
#### Resetting the Data

1. Enter into Service Mode.
2. Press **[8]** wait 3 seconds, then press **[ENTER]** on the Remote Commander.

#### 4-2. Memory Write Confirmation Method

1. After adjustment, pull out the plug from the AC outlet, then replace the plug in the AC outlet again.
2. Turn the power switch ON and set to Service Mode.
3. Call the adjusted items again to confirm they were adjusted.

#### 4-3 Adjust Buttons and Indicator



NAME	REGISTER NAME	CONTROL TYPE	ADJUST RANGE
<b>DIGITAL DEFLECTION CONTROLLER : SDA9361</b>			
00 VPOS	V-shift (Vertical shift/position)	I	0 ~ 255
01 VSIZ	V-size (Vertical size)	I	0 ~ 255
02 VLIN	V-linearity (Vertical linearity)	I	0 ~ 255
03 VSCO	V-S-correction (Vertical S-correction)	I	0 ~ 255
04 HPOS	H-shift (Horizontal shift/position)	I	0 ~ 127
05 SUBH	D/A (Horizontal size compensation)	I	0 ~ 63
06 HSIZ	H-size (Horizontal size)	I	0 ~ 255
07 PAMP	Pin amp	I	0 ~ 255
08 PUPC	Upper corner pin correction	I	0 ~ 255
09 PLOC	Lower corner pin correction	I	0 ~ 255
10 PPHA	Pin phase	I	0 ~ 255
11 VANG	V-angle (Vertical angle)	I	0 ~ 255
12 VBOW	V-bow (Vertical bow)	I	0 ~ 255
13 PWMS	PWM start	I	0 ~ 255
14 PWMW	PWM width	I	0 ~ 255
15 VEHT	V-EHT compensation (Vertical high voltage variation)	I	0 ~ 255
16 HEHT	H-EHT compensation (Horizontal high voltage variation)	I	0 ~ 255
17 AEHT	AFC EHT compensation (AFC high voltage variation)	I	0 ~ 63
18 VBTM	V-blanking time	I	0 ~ 127
19 HBTM	H-blanking time	I	0 ~ 63
20 BSE	Blanking selection enable	II	0, 1
21 BD	Blanking disable	II	0, 1
22 SSC	Sandcastle without VBL	II	0, 1
23 SVSC	Start V-scan (Scroll)	I	0 ~ 255
24 SSE	Start scan enable (Scroll switch)	I	0, 1
25 VWD0	V-scan width 0 (Zoom 0)	I	0 ~ 3
26 VWD1	V-scan width 1 (Zoom 1)	I	0 ~ 127
27 STE	Scan time enable (Zoom switch)	I	0, 1
28 VR	VR1&VR0 (Reduction of the vertical size)	II	0 ~ 3
29 SRDS	Start reduced scan	I	0 ~ 63
30 SRSE	Start reduced scan enable	I	0, 1
31 GDBD	Guard band	I	0 ~ 63
32 GBE	Guard band enable	II	0, 1
33 NSA	No self adaptation	II	0, 1
34 V-NR	NR (Noise reduction)	I	0, 1
35 MINL	Min. number of lines/field	I	0 ~ 255
36 MAXL	Max. number of lines/field	I	0 ~ 255
37 HSPH	Internal H-sync phase	I	0 ~ 255
38 VOFF	Vertical off	I	0, 1
39 HDE	HD enable	II	0, 1
40 NI	Non interlace	II	0, 1
41 2FH	Setting of line frequency	II	0, 1
42 RABL	ABL input range	II	0, 1
43 BNDG	BANDG4&BANDG0 (Adjustment of internal bandgap reference)	I	0 ~ 31
44 BGOF	BANDGOFF & BANDG4OFF (Bandgap off & Bandg 4V off)	I	0 ~ 3
45 HSWI	Max. width of HSYNC	I	0, 1
46 STBY	STDBY (Standby mode)	II	0, 1
47 GENM	GENMOD (Clock generator mode)	II	0, 1
48 NL	NL2...NL0	II	0 ~ 7
49 VCR	PLL filter optimized for TV/VCR mode	I	0, 1
50 INCR	INCR4&0 (Nominal PLL output frequency)	II	0 ~ 31
51 KILL	KILL_ZIP (Top flutter suppression)	I	0, 1
52 NVCR	NOISYVCR (Handling of noisy inputs in VCR mode)	I	0, 1
53 TC3	TC_3RD (Third time constant)-AFC-LOOP	I	0, 1

Key for Control Type:

I = Changed & saved in the service mode.

III = Controlled by the user only.

II = Changed in the service mode only.

IV = Transmitted with the fixed value.

V = Transmitted with the fixed value in/to NVM.

NAME	REGISTER NAME	CONTROL TYPE	ADJUST RANGE
54 HBPH	H-blanking phase	I	0 ~ 63
55 HPOF	The b7 bit setting @ 01H	I	0 ~ 127
56 HBOF	The b0 bit setting @ 48H	I	0 ~ 63
<b>DM: MB88141PF / FUJITSU</b>			
00 MPIN	CXA1875-1: DAC2 (Middle-pin control)	I	0 ~ 63
01 SLIN	CXA1875-1: DAC3 (S-linearity control)	I	0 ~ 63
02 HCEN	CXA1875-1: DAC4 (H-centering adj)	I	0 ~ 63
03 VPIN	MB88141PF-1: A01	I	0 ~ 63
04 VCEN	MB88141PF-1: A02	I	0 ~ 255
05 HTPZ	MB88141PF-1: A03	I	0 ~ 63
06 NSCO	MB88141PF-1: A04	I	0 ~ 63
07 LANG	MB88141PF-1: A05	I	0 ~ 63
08 LBOW	MB88141PF-1: A06	I	0 ~ 63
09 DFON	CXA1875-1: SW1 (DF-on/off)	II	0, 1
10 DQP	CXA1875-1: DAC0 (DQP-phase control)	I	0 ~ 63
11 DF	CXA1875-1: DAC1 (DF-phase control)	I	0 ~ 63
12 DFA	CXA2026Q: DAC0	I	0 ~ 63
13 DQPD	CXA2026Q: H. AMP	I	0 ~ 63
14 DQDV	CXA2026Q: U. CBOW (DQPDV1+DVS) CXA2026Q: L. CBOW (DQPDV1-DVS)	I	0 ~ 63
15 DVS			0 ~ 7
16 DQDY	CXA2026Q: U. MBH (DQPDY) CXA2026Q: L. MBH (DQPDY)	I	0 ~ 15 0 ~ 63
17 DQPA	CXA2026Q: SBHS (DC shift)	I	0 ~ 63
18 DQAV	CXA2026Q: U. YBOW (DQPAV+AVS) CXA2026Q: L. YBOW (DQPAV-AVS)	I	0 ~ 63 0 ~ 63
19 AVS			0 ~ 7
20 VMSW	CXA2026Q: H. DUTY	I	0 ~ 3
21 VMD	CXA2026Q: H. TILT	I	0 ~ 63
22 VML	CXA2026Q: U. TILT	I	0 ~ 63
23 VMR	CXA2026Q: L. TILT	I	0 ~ 63
24 TTOT	CXA2026Q: TILT OFF	I	0, 1
25 ABL	MB88141PF-1: A07 (ABL control)	I	0 ~ 15
26 HDC	MB88141PF-1: A08	I	0 ~ 15
<b>DIGITAL DEFLECTION CONTROLLER : CXA8070P</b>			
00 SBHS	DC-AMP3	I	0 ~ 63
01 YBWU	VCA9	I	0 ~ 63
02 YBWL	VCA10	I	0 ~ 63
03 RSAP	DC-AMP1	I	0 ~ 63
04 RUBW	VCA5	I	0 ~ 63
05 RUMB	VCA7	I	0 ~ 63
06 RLBW	VCA6	I	0 ~ 63
07 RLMB	VCA8	I	0 ~ 63
08 LSAP	DC-AMP2	I	0 ~ 63
09 LUBW	VCA1	I	0 ~ 63
10 LUMB	VCA3	I	0 ~ 63
11 LLBW	VCA2	I	0 ~ 63
12 LLMB	VCA4	I	0 ~ 63
13 OFST	VCA4	II	0 ~ 63
<b>DEFLECTION ADJUSTMENT</b>			
00 AGNG	AGING1, AGING2	II	0 ~ 3
01 HPOS	H-shift (Horizontal shift/position)	I	0 ~ 127
02 BD	Blanking disable	II	0, 1
03 SUBH	D/A (Horizontal size compensation)	I	0 ~ 63
04 LANG	MB88141PF-1: A05	I	0 ~ 63
05 LBOW	MB88141PF-1: A06	I	0 ~ 63
06 HCEN	CXA1875-1: DAC4 (H-centering adj)	I	0 ~ 63
07 HPOS	H-shift (Horizontal shift/position)	I	0 ~ 127
08 SUBH	D/A (Horizontal size compensation)	I	0 ~ 63
09 HSIZ	H-size (Horizontal size)	I	0 ~ 255

**Key for Control Type:**

I = Changed &amp; saved in the service mode.

III = Controlled by the user only.

II = Changed in the service mode only.

IV = Transmitted with the fixed value.

V = Transmitted with the fixed value in/to NVM.

NAME	REGISTER NAME	CONTROL TYPE	ADJUST RANGE
10 SLIN	CXA1875-1: DAC3 (S-linearity control)	I	0 ~ 63
11 MPIN	CXA1875-1: DAC2 (Middle-pin control)	I	0 ~ 63
12 BNDG	BANDG4&BANDG0	I	0 ~ 31
13 NSCO	MB88141PF-1: A04	I	0 ~ 63
14 HTPZ	MB88141PF-1: A03	I	0 ~ 63
15 VCEN	MB88141PF-1: A02	I	0 ~ 63
16 VPIN	MB88141PF-1: A01	I	0 ~ 63
17 VPOS	V-shift (Vertical shift/position)	I	0 ~ 255
18 VSIZ	V-size (Vertical size)	I	0 ~ 255
19 VLIN	V-linearity (Vertical linearity)	I	0 ~ 255
20 VSCO	V-S-correction (Vertical S-correction)	I	0 ~ 255
21 HPOS	H-shift (Horizontal shift/position)	I	0 ~ 127
22 SUBH	D/A (Horizontal size compensation)	I	0 ~ 63
23 HSIZ	H-size (Horizontal size)	I	0 ~ 255
24 SLIN	CXA1875-1: DAC3 (S-linearity control)	I	0 ~ 63
25 MPIN	CXA1875-1: DAC2 (Middle-pin control)	I	0 ~ 63
26 PAMP	Pin amp	I	0 ~ 255
27 PUPC	Upper corner pin correction	I	0 ~ 255
28 PLOC	Lower corner pin correction	I	0 ~ 255
29 PPHA	Pin phase	I	0 ~ 255
30 VANG	V-angle (Vertical angle)	I	0 ~ 255
31 VBOW	V-bow (Vertical bow)	I	0 ~ 255
32 LANG	MB88141PF-1: A05	I	0 ~ 63
33 LBOW	MB88141PF-1: A06	I	0 ~ 63
34 DFON	CXA1875-1: SW1 (DF-on/off)	II	0, 1
35 DQP	CXA1875-1: DAC0 (DQP-phase control)	I	0 ~ 63
36 DF	CXA1875-1: DAC1 (DF-phase control)	I	0 ~ 63
37 DFA	CXA2026Q: DAC0	I	0 ~ 63
38 DQPD	CXA2026Q: H. AMP	I	0 ~ 63
39 DQDV	CXA2026Q: U. CBOW (DQPDV1+DVS)	I	0 ~ 63
	CXA2026Q: L. CBOW (DQPDV1-DVS)	I	0 ~ 63
40 DVS		I	0 ~ 7
41 DQDY	CXA2026Q: U. MBH (DQPDY)	I	0 ~ 15
	CXA2026Q: L. MBH (DQPDY)	I	0 ~ 15
42 DQPA	CXA2026Q: SBHS (DC shift)	I	0 ~ 63
43 DQAV	CXA2026Q: U. YBOW (DQPAV+AVS)	I	0 ~ 63
	CXA2026Q: L. YBOW (DQPAV-AVS)	I	0 ~ 63
44 AVS			0 ~ 7
<b>3D-COM FILTER : <math>\mu</math>PD64081BGF</b>			
00 NRMD			0 ~ 3
01 CLK			0 ~ 3
02 KILS			0 ~ 3
03 DYCS			0 ~ 3
04 CPP			0 ~ 3
05 HDP			0 ~ 7
06 CDL			0 ~ 7
07 DYCO			0 ~ 15
08 DYGA			0 ~ 15
09 DCCO			0 ~ 15
10 DCGA			0 ~ 15
11 IDON			0 ~ 1
12 IDA1			0 ~ 1
13 IDA2			0 ~ 1
14 CLK8			0 ~ 1
15 ST1S			0,1
16 STOS			0 ~ 3
17 WSC			0 ~ 3
18 VTRH			0 ~ 3
19 VTRR			0 ~ 3
20 LDSR			0 ~ 3
21 PBRE			0 ~ 15
22 VAGA			0 ~ 7

**Key for Control Type:**

I = Changed &amp; saved in the service mode.

III = Controlled by the user only.

II = Changed in the service mode only.

IV = Transmitted with the fixed value.

V=Transmitted with the fixed value in/to NVM.

NAME	REGISTER NAME	CONTROL TYPE	ADJUST RANGE
23 VAPI			0 ~ 31
24 YPT0			0 ~ 3
25 YPT1			0 ~ 3
26 YPT2			0 ~ 3
27 YPT3			0 ~ 3
28 YPT4			0 ~ 3
29 YPG0			0 ~ 15
30 YPG1			0 ~ 15
31 YPG2			0 ~ 15
32 YPG3			0 ~ 15
33 YPG4			0 ~ 15
34 V1PS			0 ~ 3
35 VEGS			0 ~ 3
36 CC3N			0 ~ 1
37 COHS			0 ~ 1
38 CLPH			0 ~ 1
39 SELD			0 ~ 1
40 D2GA			0 ~ 7
41 YHCO			0 ~ 3
42 YPCO			0 ~ 1
43 EDOF			0 ~ 1
44 HPLL			0 ~ 1
45 BPLL			0 ~ 1
46 FSCF			0 ~ 1
47 PLFF			0 ~ 1
48 KILR			0 ~ 15
49 HSSL			0 ~ 15
50 VSSL			0 ~ 15
51 BGPW			0 ~ 15
52 BGPS			0 ~ 15
53 ADCL			0 ~ 3
54 ADPD			0 ~ 1
55 ADPT			0 ~ 1
56 HCP			0 ~ 15
57 HHTG			0 ~ 15
<b>CHROMA 1 : CXA2019Q / SONY</b>			
00 HUE	HUE	I	0 ~ 63
01 COL	COLOR	I	0 ~ 63
02 SHAP	SHARPNESS	I	0 ~ 15
03 SPIC	SUB CONT	I	0 ~ 15
04 SHUE	SUB HUE	I	0 ~ 15
05 SCOL	SUB COLOR	I	0 ~ 15
06 YDRV	Y DRIVE	I	0 ~ 31
07 UPED	U PED	I	0 ~ 15
08 VPED	V PED	I	0 ~ 15
09 SPF0	SHP-f0	I	0,1
10 SPRE	PRE OVER	I	0 ~ 3
11 YDEL	DELAY	I	0 ~ 3
12 DCTR	DC TRAIN	I	0 ~ 7
13 AFCG	AFC	I	0 ~ 3
14 DPIC	DPIC OFF	I	0,1
<b>CHROMA 2 : CXA2019Q / SONY</b>			
00 HUE	HUE	I	0 ~ 63
01 COL	COLOR	I	0 ~ 63
02 SHAP	SHARPNESS	I	0 ~ 15
03 SPIC	SUB CONT	I	0 ~ 15
04 SHUE	SUB HUE	I	0 ~ 15
05 SCOL	SUB COLOR	I	0 ~ 15
06 YDRV	Y DRIVE	I	0 ~ 31
07 UPED	U PED	I	0 ~ 15
08 VPED	V PED	I	0 ~ 15

Key for Control Type:

I = Changed & saved in the service mode.

III = Controlled by the user only.

II = Changed in the service mode only.

IV = Transmitted with the fixed value.

V = Transmitted with the fixed value in/to NVM.

NAME	REGISTER NAME	CONTROL TYPE	ADJUST RANGE
09 SPF0	SHP-f0	I	0, 1
10 SPRE	PRE OVER	I	0 ~ 3
11 YDEL	DELAY	I	0 ~ 3
12 DCTR	DC TRAIN	I	0 ~ 7
13 AFCG	AFC	I	0 ~ 3
14 DPIC	DPIC OFF	I	0,1
<b>MULTI-IMAGE DRIVE (MID) : CXA2069Q / SONY</b>			
00 DLYC	DELAYC (Chroma delay adjust)		0 ~ 7
01 YSDY	YSDY		0 ~ 7
02 VJTC	VJTTC (C-ch. jitter reduction)		0 ~ 3
03 HPHA	HPHASA (A-ch. h-phase adjust)		0 ~ 255
04 VPHA	VPHASA (A-ch. v-phase adjust)		0 ~ 255
05 DLYA	DELAYA (A-ch. chroma delay adjust)		0 ~ 7
06 VJTA	VJTTA (A-ch. jitter reduction)		0 ~ 3
07 CLYA	CLVYA		0 ~ 255
08 CLUA	CLVUA		0 ~ 255
09 CLVA	CLVVA		0 ~ 255
10 CLPA	CLPPA		0, 1
11 CLDA	CLPDA		0 ~ 127
12 HPHB	HPHASB (B-ch. h-phase adjust)		0 ~ 255
13 VPHB	VPHASB (B-ch. V-phase adjust)		0 ~ 255
14 DLYB	DELAYB (B-ch. chroma delay adjust)		0 ~ 7
15 VJTB	VJTTB (B-ch. jitter reduction)		0 ~ 3
16 CLYB	CLVYB		0 ~ 255
17 CLUB	CLVUB		0 ~ 255
18 CLVB	CLVVB		0 ~ 255
19 CLPB	CLPPB		0, 1
20 CLDB	CLPDB		0 ~ 127
21 HPOB	HPOSIB (B-ch. horizontal position)		FIX
22 VPOB	VPOSIB (B-ch. vertical position)		FIX
23 HPOO	HPOOSD		0 ~ 63
24 VPOO	VPOOSD		0 ~ 63
25 OPOL	OPOL (OSD output polarity)		0 ~ 63
26 PLL1	PLL1		0, 1
27 PLL2	PLL2		0, 1
28 HPOA	HPOSIA (A-ch. horizontal position)		0 ~ 255
29 VPOA	VPOSIA (A-ch. vertical position)		0 ~ 255
30 OSDC	Index		0 ~ 7
31 OSDF	Index		0 ~ 3
32 BPDY	BPDELAY		0 ~ 15
33 ADSB	ANALOG/DIGITAL		0, 1
34 FRMC	FRAME COLOR SELECT		0 ~ 3
35 CLEB	IN CLAMP ON/OFF		0,1
36 ADEB	A/D CONV ON/OFF		0,1
37 XDIB	CHROMA POLARITY OF DIGITAL INPUT(BCH)		0,1
38 DIPB	CHROMA PHASE ADJ. OF DIGITAL (BCH)		0 ~ 3
39 FHSW	H. FREQ SOURCE SELECT FOR ASPECT CONVERTER		0,1
<b>DTV</b>			
00 VPOS			
01 HPOS			
02 AGCL			
03 DMAP			
<b>FE</b>			
00 LCWT			
01 ERWT			
02 ERTH			
03 EQ1			

Key for Control Type:

I = Changed & saved in the service mode.

III = Controlled by the user only.

II = Changed in the service mode only.

IV = Transmitted with the fixed value.

V = Transmitted with the fixed value in/to NVM.

NAME	REGISTER NAME	CONTROL TYPE	ADJUST RANGE
04 EQ2			
05 BETL			
06 BETH			
07 FETO			
08 AREF			
09 ABET			
10 ASMP			
11 TRPA			
12 TRPF			
13 TRGM			
14 TRDL			
15 TRDH			
16 NIMD			
17 NTON			
18 NTOF			
19 NLON			
20 NLOF			
21 EQLL			
22 EQLM			
23 EQLT			
24 NMBL			
25 RSTH			
26 RAL0			
27 RAL1			
28 RBE0			
29 RBE1			
30 RBE2			
31 FARL			
32 FARH			
33 FAPB			
34 FAPG			
35 EQAC			
36 EQAE			
37 EQAA			
38 COFN			
39 COFI			
40 DSHF			
41 DFED			
42 TESS			
43 TESO			
44 TEST			
45 TESR			
46 TEST1			
47 EQMF			
48 EQMD			
49 EQMO			
50 EAMA			
51 EQMM			
52 OPSW			
53 CHO2			
54 CHO3 ...thru 120 CH69			
121 F001			
122 F002 ...thru 254 F134			
<b>MULTI-COMPONENT VIDEO PROCESSOR : C2101</b>			
<b>C2101-1</b>			
00 CBO1	CB_OFFSET 1	I	0 ~ 15
01 CRO1	CR_OFFSET 1	I	0 ~ 15

Key for Control Type:

I = Changed & saved in the service mode.

III = Controlled by the user only.

II = Changed in the service mode only.

IV = Transmitted with the fixed value.

V=Transmitted with the fixed value in/to NVM.



NAME	REGISTER NAME	CONTROL TYPE	ADJUST RANGE
02 SBOF	SUB_BRIGHT-offset for input fh & fv	I	0 ~ 63
03 CBO2	CB_OFFSET2	I	0 ~ 15
04 CRO2	CR_OFFSET2	I	0 ~ 15
05 SBRT	SUB_BRIGHT	I	0 ~ 63
06 RDRV	R_DRIVE	I	0 ~ 63
07 GDRV	G_DRIVE	I	0 ~ 63
08 BDRV	B_DRIVE	I	0 ~ 63
09 RCUT	R_CUTOFF	I	0 ~ 63
10 GCUT	G_CUTOFF	I	0 ~ 63
11 BCUT	B_CUTOFF	I	0 ~ 63
12 SBOF	SUB_BRIGHT-offset for mid color temp.	I	0 ~ 63
13 GDOF	G_DRIVE-offset for mid color temp.	I	0 ~ 63
14 BDOF	B_DRIVE-offset for mid color temp.	I	0 ~ 63
15 GCOF	G_CUTOFF-offset for mid color temp.	I	0 ~ 63
16 BCOF	B_CUTOFF-offset for mid color temp.	I	0 ~ 63
<b>C2101-2</b>			
00 ALBK	ALL_BLK	II	0, 1
01 RGBS	R_ON, G_ON, B_ON	II	0 ~ 7
02 CBOF	CBLK_OFF	I	0, 1
03 AKBT	AKB_T	I	0, 1
04 BLKS	BLK_SW	I	0, 1
05 BLKB	BLK_BOTTOM	I	0 ~ 15
06 INSE	INPUT_SEL	II	0 ~ 3
07 YMAT	YCbCr / MAT	II	0, 1
08 MATO	MAT_OUT	II	0 ~ 3
09 ABTH	ABL_TH	I	0 ~ 3
10 LIML	LIMIT_LEVEL	I	0 ~ 3
11 AGNG	AGING1, AGING2	II	0 ~ 3
12 YSYM	YSYM1SW	I	0, 1
13 YMVM	YM_VM	I	0, 1
14 PABL	PABL_LEVEL	I	0 ~ 15
15 LRGL	LRGB2_LEVEL	II	0 ~ 15
<b>C2101-3</b>			
00 FIXS	FIX_SYNC	II	0 ~ 3
01 HSEL	HSEP_SEL	II	0, 1
02 VTC0	V_TC (V_SYNC control when fh is unknown)	I	0 ~ 3
03 VTC1	V_TC (V_SYNC control when fh is known)	I	0 ~ 3
04 HWID	H_WIDTH	II	0 ~ 3
05 HDTC	HD_TC	II	0, 1
06 HMAS	HS_MASK	I	0, 1
07 HYSW	HYSW	II	0, 1
08 CLPS	CLP_SW	II	0, 1
09 CLPM	CLP_MASK	II	0 ~ 3
10 525P	525 YCbCr or YPbPr select		0, 1
<b>C2101-4</b>			
00 UPIC	PICTURE	I	0 ~ 63
01 UBRT	BRIGHT	I	0 ~ 63
02 UCOL	COLOR	I	0 ~ 63
03 USHP	SHARPNESS	I	0 ~ 63
04 UVML	VM_LEV	I	0 ~ 3
05 UTMP			0 ~ 3
06 UDCL	D_COL	I	0, 1
07 UBLK			0 ~ 3
08 UDRC	DRC	I	0 ~ 3
09 UGAM	GAMMA	I	0 ~ 15
10 UDCT	DC-TRAIN	I	0 ~ 3
11 UDPC	D PIC	I	0 ~ 3
12 USSP	SUB_SHP	I	0 ~ 3

**Key for Control Type:***I = Changed & saved in the service mode.**III = Controlled by the user only.**II = Changed in the service mode only.**IV = Transmitted with the fixed value.**V=Transmitted with the fixed value in/to NVM.*

NAME	REGISTER NAME	CONTROL TYPE	ADJUST RANGE
13 USPF	SHP_F0	I	0 ~ 3
14 UPRE	PRE/OVER	I	0 ~ 3
15 ULEC	LEC_LEVEL	I	0 ~ 3
16 UCEC	CEC_LEVEL	I	0 ~ 3
17 UVMD	VM_DEL	I	0 ~ 3
18UABL	ABL_MODE	I	0 ~ 3
19 UAXS			0 ~ 3
20 R-YR	R-Y/R	I	0 ~ 15
21 R-YB	R-Y/B	I	0 ~ 15
22 G-YR	G-Y/R	I	0 ~ 15
23 G-YB	G-Y/B	I	0 ~ 15
24 SYS	SYSTEM		0 ~ 3
25 SCON	SUB_CON	I	0 ~ 15
26 SCOL	SUB_COL	I	0 ~ 15
27 SHUE	SUB_HUE		
<b>AP</b>			
00 SVOL	SUB-VOL		0 ~ 15
01 SBAL	SUB-BAL		0 ~ 15
02 STRE	SUB-TRE		0 ~ 15
03 SBAS	SUB-BAS		0 ~ 15
<b>TC9447F</b>			
00 TBOU			
01 TBOL			
02 TB2U			
03 TB2L			
04 TBFU			
05 TBFL			
06 TCOU			
07 TCOL			
08 TB1U			
09 TB1L			
10 TC1U			
11 TC1L			
12 MADU			
13 MADL			
14 MBOU			
15 MBOL			
<b>OP</b>			
00 EXIN	EXTERNAL INPUT		0,1
01 AFD	SLAVE		0,1
02 SLAV			0 ~ 7
03 CCDI	FIX		0 ~ 7
04 CRIP	FIX		0 ~ 7
05 CHMK	FIX		0 ~ 7
06 HPRM	H POSITION-MAIN		0 ~ 255
07 HPRS	H POSITION-SUB		0 ~ 255
08 CRIT	FIX		0 ~ 255
09 RND	FIX		0,1
10 OSDH	OSDH POSITION		0,1
11 DRST	FIX		0 ~ 255
12 DWAI	FIX		0 ~ 255
13 DPLS	FIX		ON/OFF
14 STAT	DISPLAY VER		ON/OFF
15 AUTO	AUTO SYNC DET		0,1

**Key for Control Type:***I = Changed & saved in the service mode.**III = Controlled by the user only.**II = Changed in the service mode only.**IV = Transmitted with the fixed value.**V=Transmitted with the fixed value in/to NVM.*

## DEFLECTION CONTROL ADJUSTMENT DATA

## TYPE 1 SDA9361

NAME	CONTROL FUNCTION	DRC (31.5KHz 960I) & DTV/EXT 480P						MID	DTV/EXT 1080I
		ADJUST RANGE	NORMAL	FULL	ZOOM	WIDE ZOOM	CAPTION	FULL	FULL
00 VPOS	V-shift (Vertical shift/position)	0 ~ 255	146	146	146	146	146	148	152
01 VSIZ	V-size (Vertical size)	0 ~ 255	100	100	100	100	100	100	72
02 VLIN	V-linearity (Vertical linearity)	0 ~ 255	122	122	122	115	122	122	117
03 VSCO	V-S-correction (Vertical S-correction)	0 ~ 255	77	77	77	122	200	77	66
04 HPOS	H-shift (Horizontal shift/position)	0 ~ 127	95	99	99	99	99	99	90
05 SUBH	D/A (Horizontal size compensation)	0 ~ 63	25	50	50	50	55	50	50
06 HSIZ	H-size (Horizontal size)	50 ~ 90	208	208	208	208	208	208	208
07 PAMP	Pin amp	-128 ~ +10	127	127	146	152	191	128	138
08 PUPC	Upper corner pin correction	0 ~ 255	168	168	168	158	15	168	173
09 PLOC	Lower corner pin correction	0 ~ 255	168	168	168	158	65	168	173
10 PPHA	Pin phase	-110 ~ +110	128	128	128	128	128	128	128
11 VANG	V-angle (Vertical angle)	0 ~ 255	128	128	128	128	128	128	128
12 VBOW	V-bow (Vertical bow)	0 ~ 255	128	128	128	128	128	128	128
14 PWMW	PWM width	0 ~ 255	1	1	1	1	1	18	1
18 VBTM	V-blanking time	0 ~ 127	25	25	25	25	25	25	8
19 HBTM	H-blanking time	0 ~ 127	43	43	43	43	43	43	38
23 SVSC	Start V-scan (Scroll)	0 ~ 255	129	129	129	129	129	129	128
24 SSE	Start scan enable (Scroll switch)	0, 1	0	0	1	1	1	0	0
25 VWD0	V-scan width 0 (Zoom 0)	0 ~ 3	2	2	1	1	1	2	2
26 VWD1	V-scan width 1 (Zoom 1)	0 ~ 255	5	5	159	222	222	5	25
27 STE	Scan time enable (Zoom switch)	0, 1	1	1	1	1	1	1	1
29 SRDS	Start reduced scan	0 ~ 63	0	0	0	0	0	0	0
30 SRSE	Start reduced scan enable	0, 1	0	0	0	0	0	0	0
54 HBPH	H-blanking phase	0 ~ 63	27	27	27	27	27	27	25

## TYPE 1 CXA1875/MB88141

NAME	CONTROL FUNCTION	DRC (31.5KHz 960I) & DTV/EXT 480P						MID	DTV/EXT 1080I
		ADJUST RANGE	NORMAL	FULL	ZOOM	WIDE ZOOM	CAPTION	FULL	FULL
00 MPIN	CXA1875-1: DAC2 (Middle-pin control)	0 ~ 63	31	31	31	31	31	31	31
01 SLIN	CXA1875-1: DAC3 (S-linearity control)	0 ~ 63	20	25	25	25	25	25	20
06 NSCO	MB88141PF-1: A04	0 ~ 4	31	31	31	31	31	31	31
07 LANG	MB88141PF-1: A05	0 ~ 63	31	31	31	31	31	31	31
08 LBOW	MB88141PF-1: A06	0 ~ 63	31	31	31	31	31	31	31

## TYPE 1 CXA8070

NAME	CONTROL FUNCTION	DRC (31.5KHz 960I) & DTV/EXT 480P						MID	DTV/EXT 1080I
		ADJUST RANGE	NORMAL	FULL	ZOOM	WIDE ZOOM	CAPTION	FULL	FULL
00 SBHS	DC-AMP3	0 ~ 63	31	31	31	31	31	31	31
01 YBWU	VCA9	0 ~ 63	31	31	31	31	31	31	31
02 YBWL	VCA10	0 ~ 63	31	31	31	31	31	31	31
03 RSAP	DC-AMP1	0 ~ 63	31	31	31	31	31	31	31
04 RUBW	VCA5	0 ~ 63	31	31	31	31	31	31	31
05 RUMB	VCA7	0 ~ 63	31	31	31	31	31	31	31
06 RLBW	VCA6	0 ~ 63	31	31	31	31	31	31	31
07 RLMB	VCA8	0 ~ 63	31	31	31	31	31	31	31
08 LSAP	DC-AMP2	0 ~ 63	31	31	31	31	31	31	31
09 LUBW	VCA1	0 ~ 63	31	31	31	31	31	31	31
10 LUMB	VCA3	0 ~ 63	31	31	31	31	31	31	31
11 LLBW	VCA2	0 ~ 63	31	31	31	31	31	31	31
12 LLMB	VCA4	0 ~ 63	31	31	31	31	31	31	31

## DEFLECTION CONTROL ADJUSTMENT DATA

## TYPE 2 CXA2026/CXA1875/MB88141

NAME	CONTROL FUNCTION	DRC (31.5KHz 960I) & DTV/EXT 480P						MID	DTV/EXT 1080I
		ADJUST RANGE	NORMAL	FULL	ZOOM	WIDE ZOOM	CAPTION	FULL	FULL
15 VEHT	V-EHT compensation (Vertical high voltage variation)	-128 ~ +127 (0 ~ 255)	60			60		60	60
16 HEHT	H-EHT compensation (Horizontal high voltage variation)	-128 ~ +127 (0 ~ 255)	0			20		20	20
17 AEHT	AFC EHT compensation (AFC high voltage variation)	-32 ~ +32	29			29		29	30
02 HCEN	CXA1875-1: DAC4 (H-centering adjustment)	0 ~ 63	35			35		34	35
03 VPIN	MB88141PF-1: A01	0 ~ 63	41			41		41	41
04 VCEN	MB88141PF-1: A02	0 ~ 63	114			114		114	114
05 HTPZ	MB88141PF-1: A03	0 ~ 63	31			31		31	31
10 DQP	CXA1875-1: DAC0 (DQP-phase control)	0 ~ 63	37			40		28	40
11 DF	CXA1875-1: DAC1 (DF-phase control)	0 ~ 63	29			31		20	31
12 DFA	CXA2026Q: DAC0	0 ~ 63	5			37		29	37
13 DQPD	CXA2026Q: H. AMP	0 ~ 63	18			24		22	24
14 DQDV	CXA2026Q: U. CBOW (DQDV+DVS)	0 ~ 63	37			44		39	40
	CXA2026Q: L. CBOW (DQDV-DVS)	0 ~ 63							
15 DVS		-3 ~ +3	3			3		3	3
16 DQDY	CXA2026Q: U. MBH (DQDY)	0 ~ 15	8			8		8	8
	CXA2026Q: L. MBH (DQDY)	0 ~ 15							
17 DQPA	CXA2026Q: SBHS (DC shift)	0 ~ 63	16			12		14	12
18 DQAV	CXA2026Q: U. YBOW (DQAV+AVS)	0 ~ 63	36			44		44	43
	CXA2026Q: L. YBOW (DQAV-AVS)	0 ~ 63							
19 AVS		-3 ~ +3	4			4		4	4
20 VMSW	CXA2026Q: H. DUTY	0 ~ 3	3			3		3	3
21 VMD	CXA2026Q: H. TILT	0 ~ 63	31			31		31	31
22 VML	CXA2026Q: U. TILT	0 ~ 63	31			31		31	31
23 VMR	CXA2026Q: L. TILT	0 ~ 63	31			31		31	31

## TYPE 3 SDA9361

NAME	CONTROL FUNCTION	DRC (31.5KHz 960I) & DTV/EXT 480P						MID	DTV/EXT 1080I
		ADJUST RANGE	NORMAL	FULL	ZOOM	WIDE ZOOM	CAPTION	FULL	FULL
35 MINL	Min. number of lines/field	0 ~ 255				106			157
36 MAXL	Max. number of lines/field	0 ~ 255				194			214
45 HSWID	Max. width of HSYNC	0, 1				1			1

## TYPE 4 SDA9361

NAME	CONTROL FUNCTION	ADJUST RANGE	TUNER	VIDEO1	VIDEO 3	VIDEO 4	DVD	DTV4801	DTV480P	DTV1080I
31 GDBD	Guard band	0 ~ 63	8	8	8	8	8	0	0	0
34 V-NR	NR (Noise reduction)	0, 1	0	0	0	0	0	0	0	0
49 VCR	PLL filter optimized for TV/VCR mode	0, 1	1	1	1	1	1	1	1	1
51 KILL	KILL_ZIP (Top flutter suppression)	0, 1	0	0	0	0	0	0	0	0
52 NVCR	NOISYVCR (Handling of noisy inputs in VCR mode)	0, 1	0	0	0	0	0	0	0	0
53 TC3	TC_3RD (Third time constant)-AFC-LOOP	0, 1	0	0	0	0	0	0	0	0

**DEFLECTION CONTROL ADJUSTMENT DATA**

**TYPE 7 SDA9361**

		DTV/EXT HD 480i SYSTEM TO DRC (31.5Khz 960i)						DTV480P (31.5Khz)				
NAME	CONTROL FUNCTION	ADJUST RANGE	NORMAL	FULL	ZOOM	WIDE ZOOM	CAPTION	NORMAL	FULL	ZOOM	WIDE ZOOM	CAPTION
55 HPOF	OFFSET DATA FROM "04 HPOS"	0 ~ 127	63	63	63	63	63	63	63	63	63	63
56 HBOF	OFFSET DATA FROM "54 HBPH"	0 ~ 63	31	31	31	31	31	31	31	31	31	31

EXT480P ( 31.5KHZ )					EXT1080I	
OFFSET DATA FROM NTSC SYSTEM					OFFSET FROM DTV1080i	
NORMAL	FULL	ZOOM	WIDE ZOOM	CAPTION	FULL	
63	63	63	63	63	63	
31	31	31	31	31	31	

**TYPE 8 SDA9361**

NAME	CONTROL FUNCTION	ADJUST RANGE	TUNER	VIDEO 1	VIDEO2	VIDEO3	VIDEO4	DVD	DTV480i	DTV480P	DTV1080i	EXT480i	EXT480P	EXT1080i
37 HSPH	Internal H-sync phase	0 ~ 255	143	143	143	143	143	143	143	134	142	143	134	142

**Input Signal Data**

**Twin Mode – A ch.**

Name	Range	NTSC	DTV 480i	DTV 480p	DTV 1080i	EXT. 480i	EXT. 480p	EXT. 1080i
03 HPHA	0-255	2FH (47)	2AH (42)	2AH (42)	1CH (28)	2AH (42)	2AH (42)	1CH (28)
04 VPHA	0-255	0BH (11)	0BH (11)	9	0FH (15)	0BH (11)	9	0FH (15)
05 DLYA	0-7	7	7	7	7	7	7	7
06 VJTA	0-3	0	0	0	0	0	0	0
10 CLPA	0-1	1	1	1	1	1	1	1
11 CLDA	0-127	1CH (28)	1CH (28)	1CH (28)	1CH (28)	1CH (28)	1CH (28)	1CH (28)

**Twin Mode – B ch.**

Name	Range	NTSC	DTV 480i	DTV 480p	DTV 1080i	EXT. 480i	EXT. 480p	EXT. 1080i
12 HPHB	0-255	26H (38)	27H (39)	2CH (42)	17H (23)	27H (39)	26H (38)	26H (38)
13 VPHB	0-255	0BH (11)	0BH (11)	9	0FH (15)	0BH (11)	0BH(11)	0BH (11)
14 DLYB	0-7	7	7	7	7	7	7	7
15 VJTB	0-3	0	0	0	0	0	0	0
19 CLPB	0-1	0	0	0	0	0	0	0
20 CLDB	0-127	1CH (28)	1CH (28)	1CH (28)	1CH (28)	1CH (28)	1CH (28)	1CH (28)

**Horizontal and Vertical Position**

**Twin Mode – A ch.**

Name	Range	NTSC (TV, video)	NTSC (DVD)	DTV 480i	DTV 480p	DTV 1080i	EXT. 480i	EXT. 480p	EXT. 1080i
28 HPB0	0-255	3	3	3	3	3	3	3	3
29 VPB0	0-255	2	2	2	2	2	2	2	2

## SECTION 5 SAFETY RELATED ADJUSTMENTS

### ▣ R7017 CONFIRMATION METHOD (HOLD-DOWN CONFIRMATION) AND READJUSTMENTS

Always perform the following adjustments when replacing the following components marked with a ▣ mark on the schematic diagram:

**D BOARD:** DY, L4006, L4005, L7006, C4031, C4032, C4067, C4010, C4029, C4047, IC7001, IC4011, T7002, Q4022, IC4005, IC4004, R4099, Q7002, Q4041, Q7001, Q4050, D4026, D4060, D4004, R4098, R7039, R7017, R7003, R7013, R7010, R7012, R7062, R7022, R7016, C4047, C7002

**G BOARD:** D5040, R5509, C5516, R5510, R5513, R5506, R5514, Q5504, Q5503

#### 5-1. Initial Condition

AC input voltage :  $120 \pm 2.0V$  AC  
 Setting Mode: Full mode  
 Input signal: Monoscope pattern of NTSC (DRC) and DTV (HD)

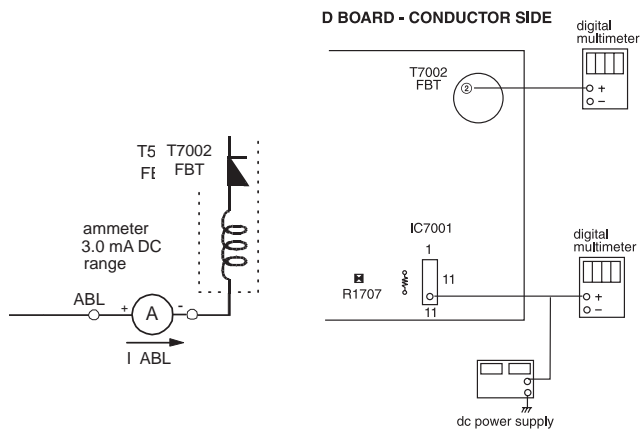
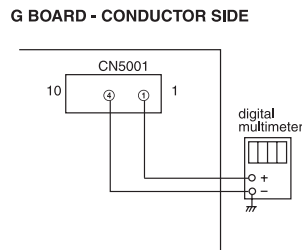
3) Remove external DC power supply and turn set off.

4) Turn set back on and reconfirm the voltage at IC7001 pin 11 (on D Board) is  $\leq 148.5$  VDC.

#### 5-2. B+ Max Confirmation

Set initial condition as instructed in section 4-1.

Confirm the voltage at CN5001 pin ① (on G board) is  $< 136.1V$  DC.



#### 5-3. Vfbv Confirmation

Set initial condition as instructed in section 4-1.

Picture setting: Cut off condition

Confirm the voltage at pin ② of FBT (T7002 on D board) are:

Less than  $109.5 \pm 0.5V$  DC for NTSC input (31.5KHz).  
 Less than  $117.5 \pm 0.5V$  DC for HD input (33.75KHz).

#### 5-4. Hold Down Circuit Confirmation

Set initial condition as instructed in section 4-1.

Picture setting: Cross hatch

Picture and Brightness: Minimum

Input signal : NTSC (DRC: 31.5 KHz),

Setting Model: Full mode

IABL =  $140 \pm 50\mu A$

1) Confirm the voltage at IC7001 pin 11 (on D Board) is  $\leq 148.5V$  DC.

2) Using an external DC power supply, apply voltage between TP Vd (cathode of D4026 or IC7001 pin 11 on D board) and ground.

Increase the voltage gradually until the set goes to hold down (raster disappears and relay click can be heard).

The voltage should be  $\leq 153.0 \pm 0.5V$  DC

### B+ VOLTAGE CONFIRMATION AND ADJUSTMENT

Always perform the following adjustments when replacing the following components marked with ▣ on the schematic diagram:

**G BOARD:** IC5007, R5049

AC input voltage:  $130 \pm 2.0$  VAC  
 Input signal: Monoscope pattern  
 Picture and Brightness: Initial reset value.

1) Confirm the voltage of G Board CN5001 between pin ① to ground is less than  $136.1V$  DC.

2) If step 1 is not satisfied, replace IC5007 and R5049, reset conditions and repeat step 1.

### Vfbv VOLTAGE CONFIRMATION

When replacing parts listed below, check Vfbv voltage:

**D BOARD:** IC4011, R4150, IC4004, IC4005, Q4022

Refer to Step 4-3.

H2 (1/2)

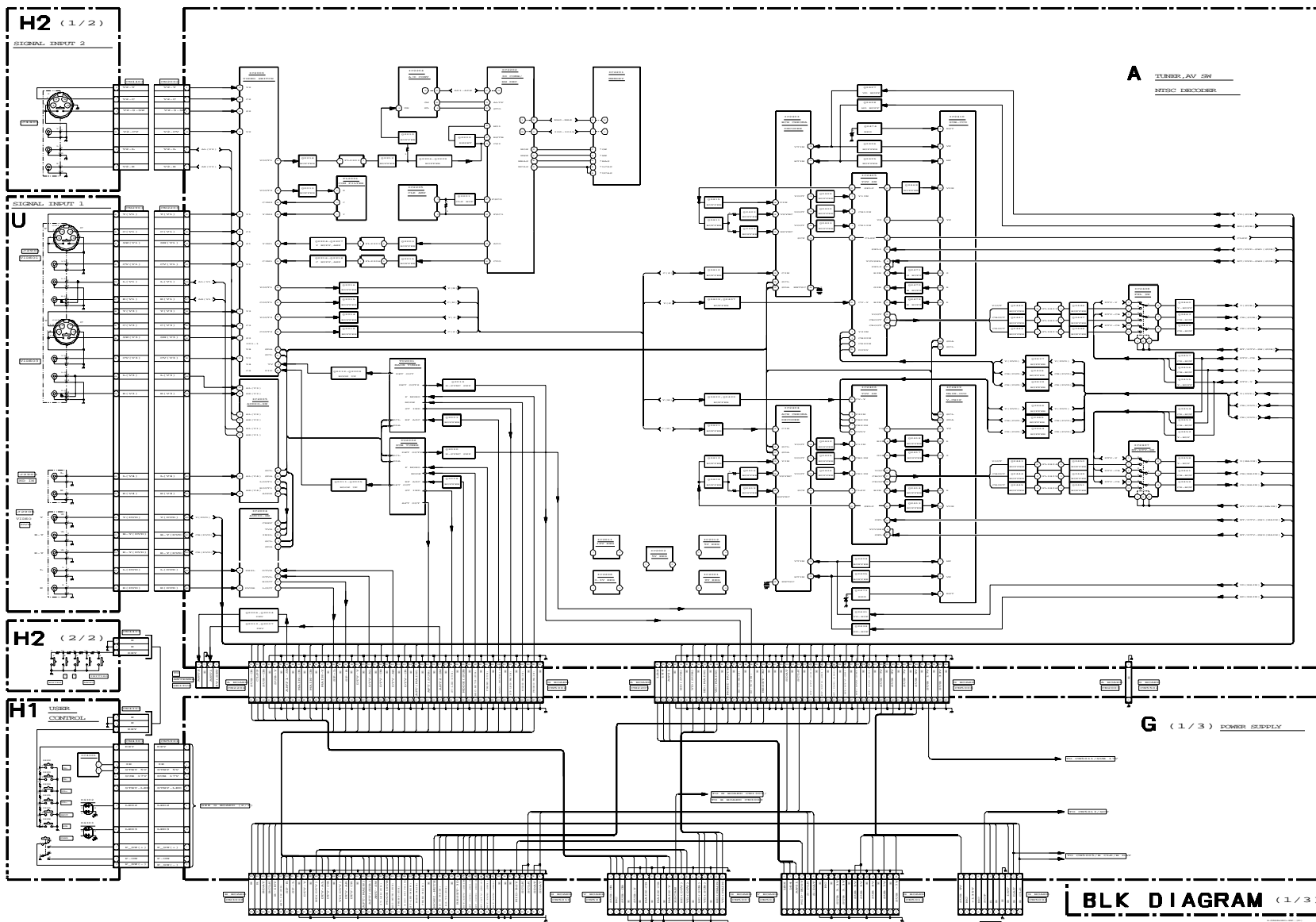
SIGNAL INPUT 2

SIGNAL INPUT 1

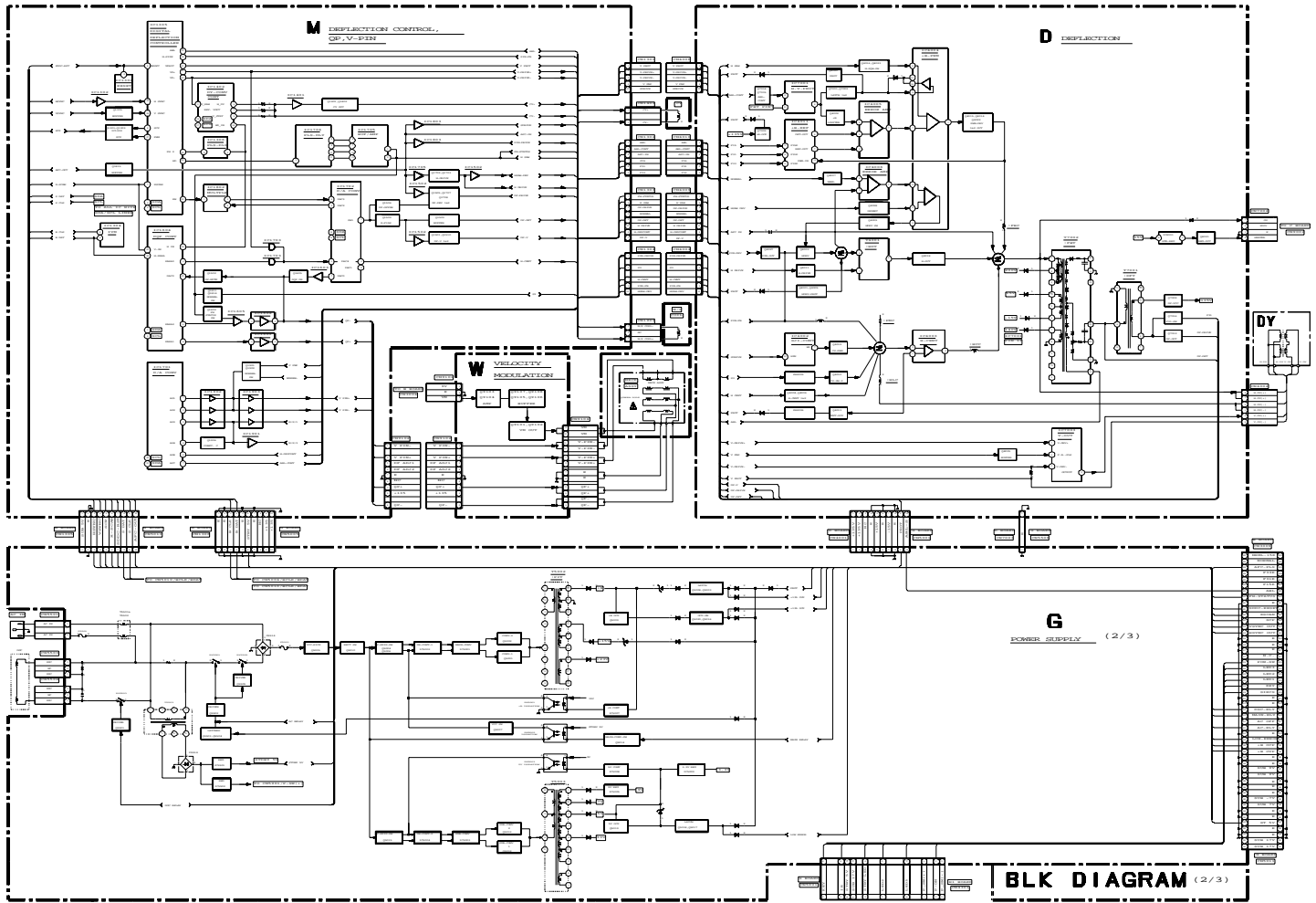
H2 (2/2)

H1

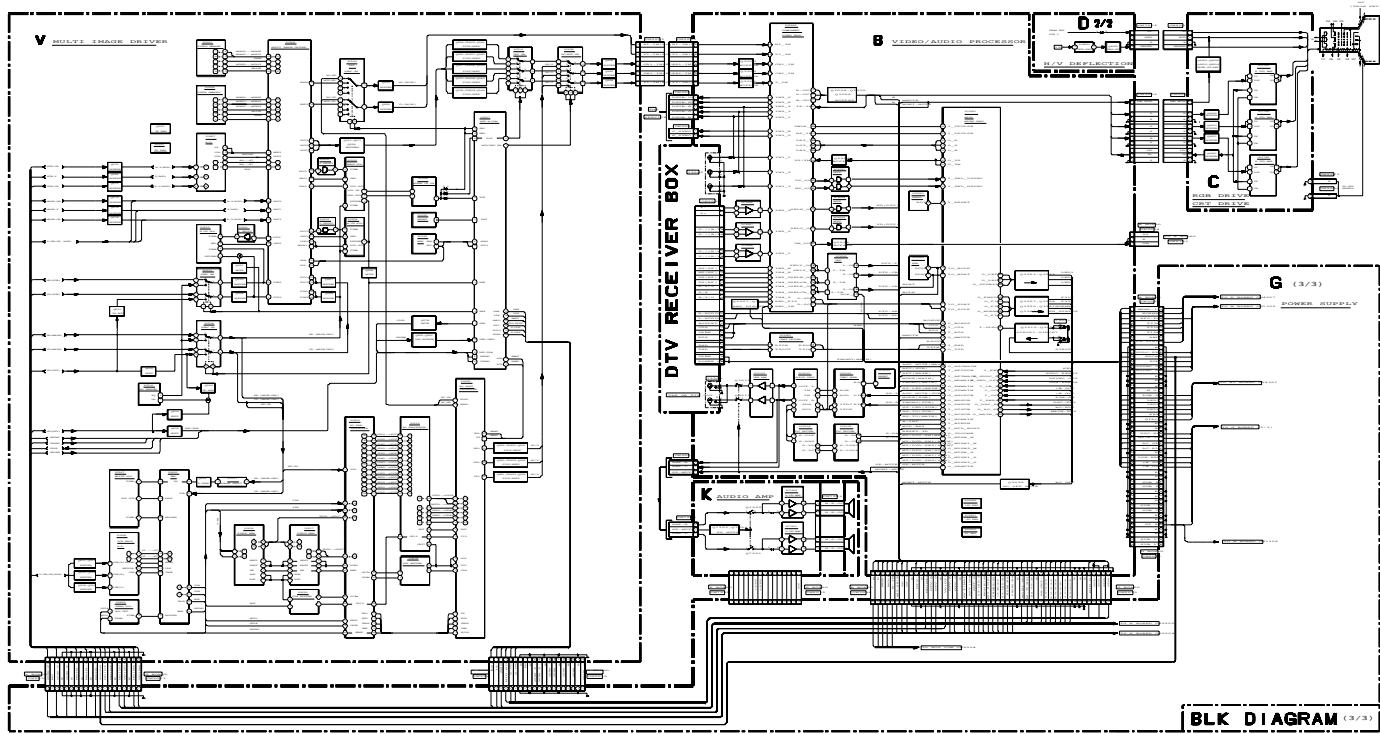
A TURBO\_PAV\_00W  
INSTRUMENT PROCEEDINGS



BLK DIAGRAM (1/3)







DTV RECEIVER BOX

V MULTI TRACK DRIVER

B VIDEO/AUDIO PROCESSOR

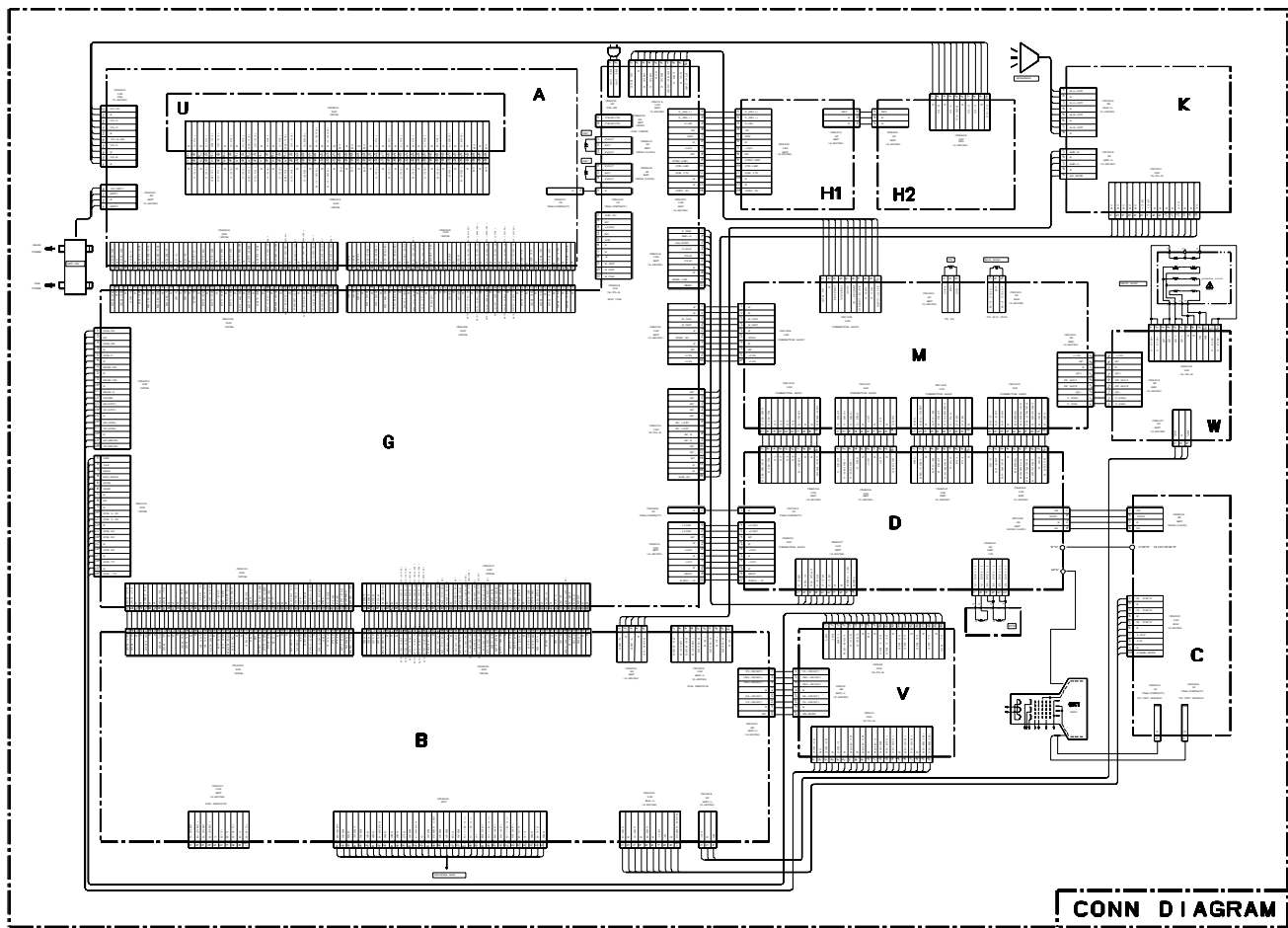
D 272  
RAY DEFLECTION

C VIDEO DISPLAY SECTION

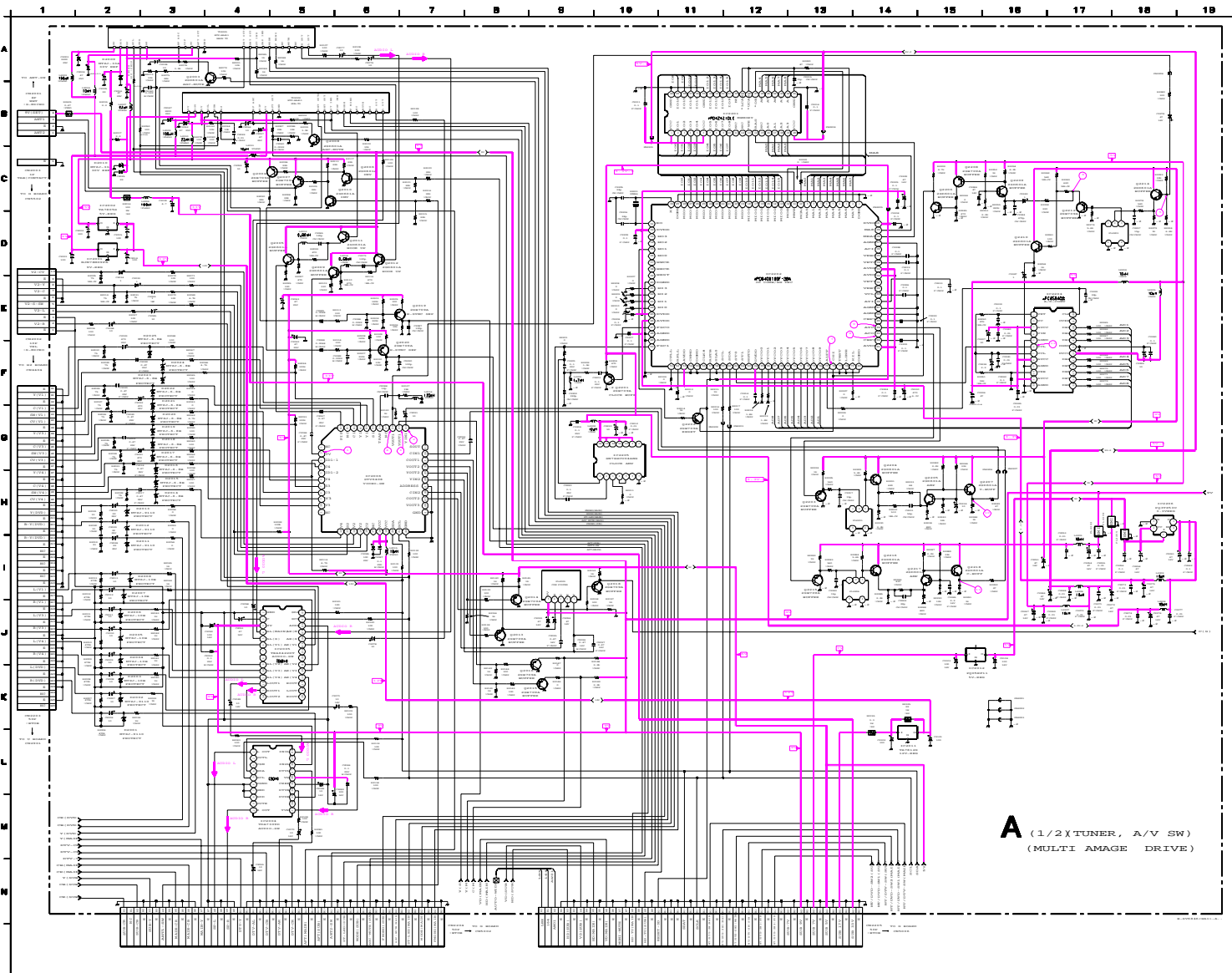
G (3/3)  
POWER SUPPLY

K AUDIO AMP

BLK DIAGRAM (3/3)

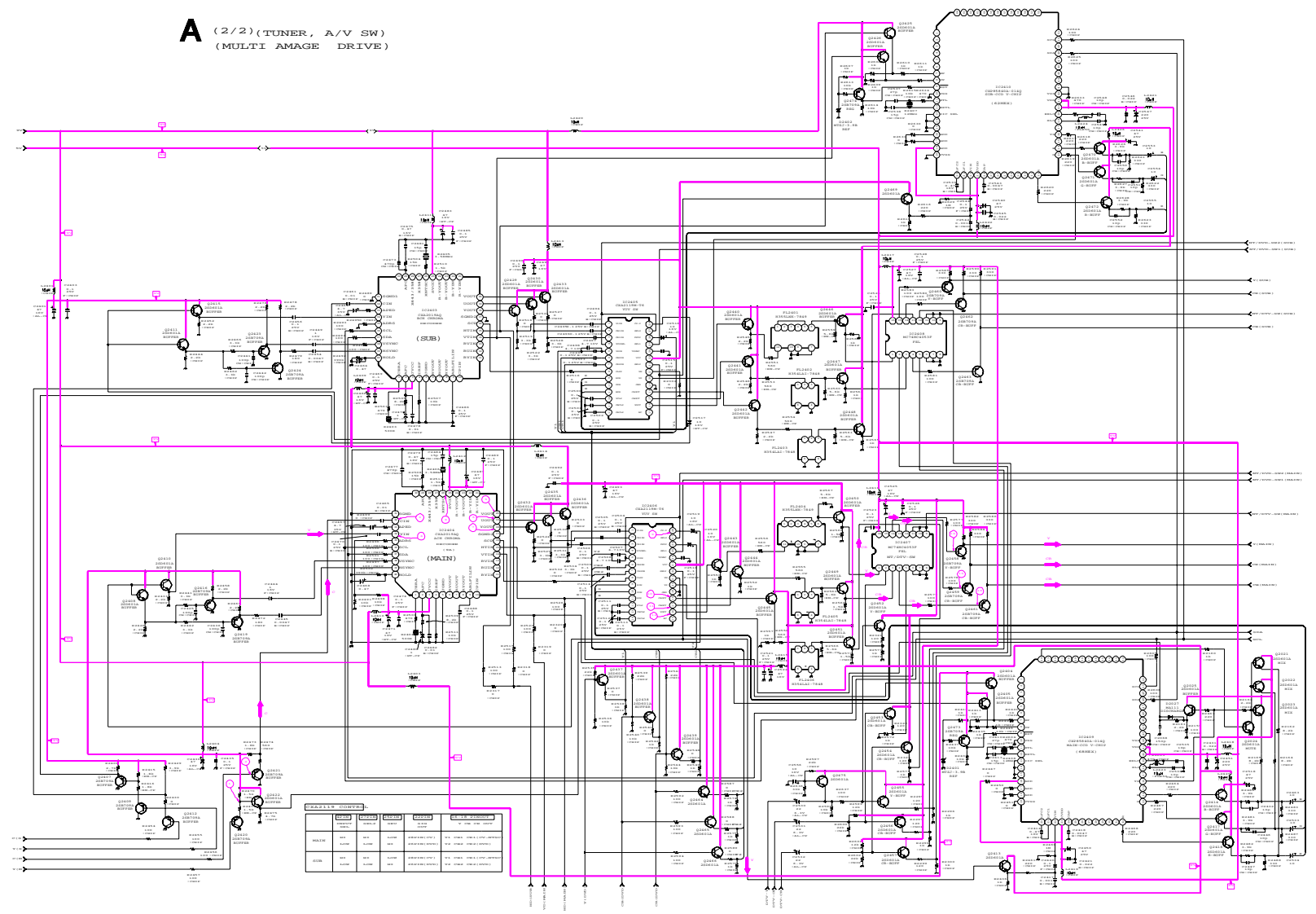


**CONN DIAGRAM**



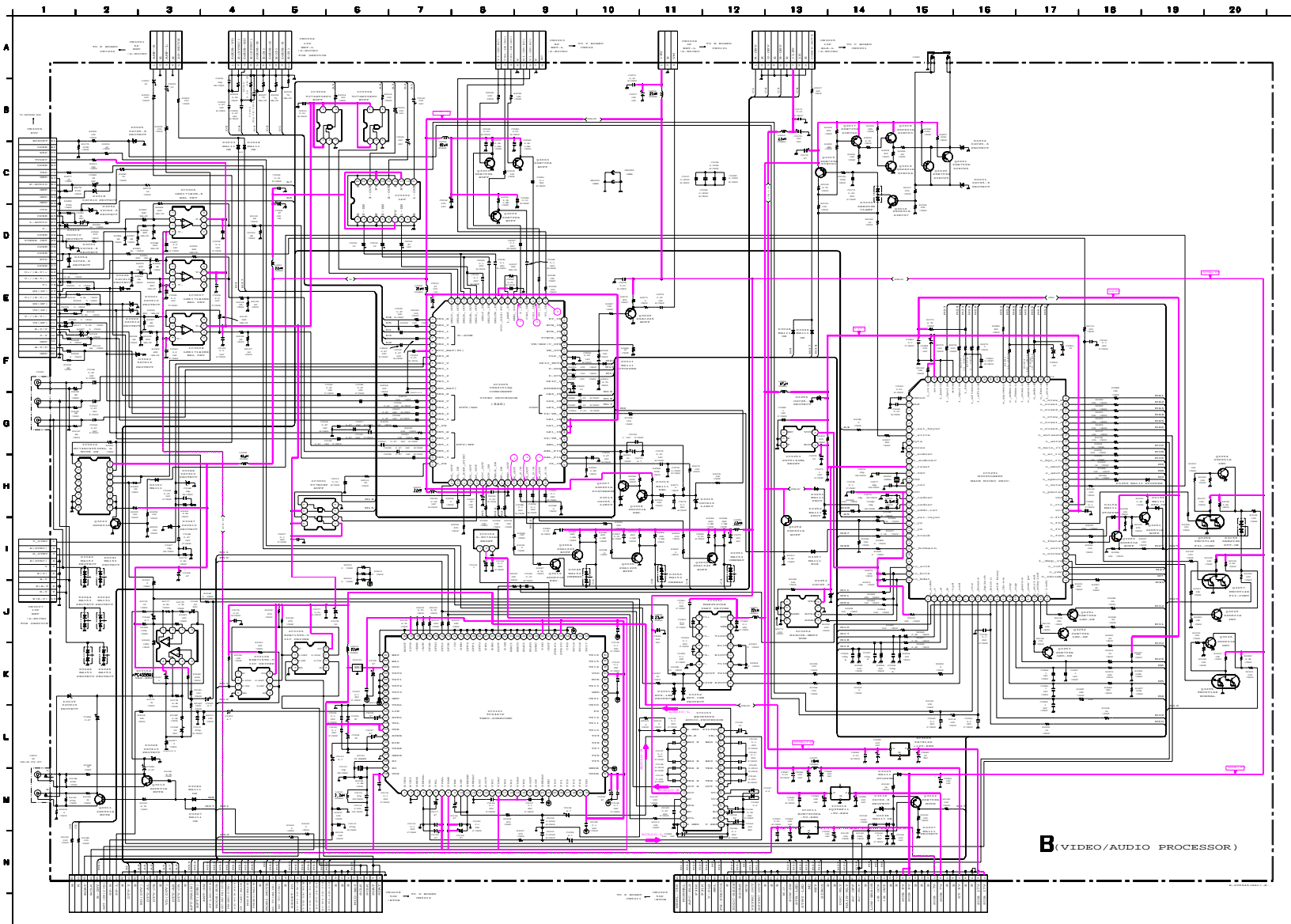
**A** (1/2 X TUNER, A/V SW)  
(MULTI IMAGE DRIVE)

**A** (2/2) (TUNER, A/V SW)  
(MULTI IMAGE DRIVE)



**WASLEY CODES**

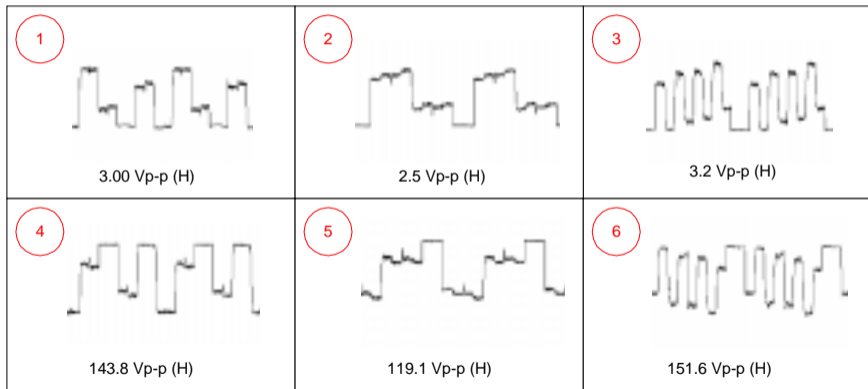
WASLEY CODE	WASLEY CODE	WASLEY CODE	WASLEY CODE	WASLEY CODE
WASLEY CODE	WASLEY CODE	WASLEY CODE	WASLEY CODE	WASLEY CODE
WASLEY CODE	WASLEY CODE	WASLEY CODE	WASLEY CODE	WASLEY CODE
WASLEY CODE	WASLEY CODE	WASLEY CODE	WASLEY CODE	WASLEY CODE
WASLEY CODE	WASLEY CODE	WASLEY CODE	WASLEY CODE	WASLEY CODE



**B** VIDEO/AUDIO PROCESSOR



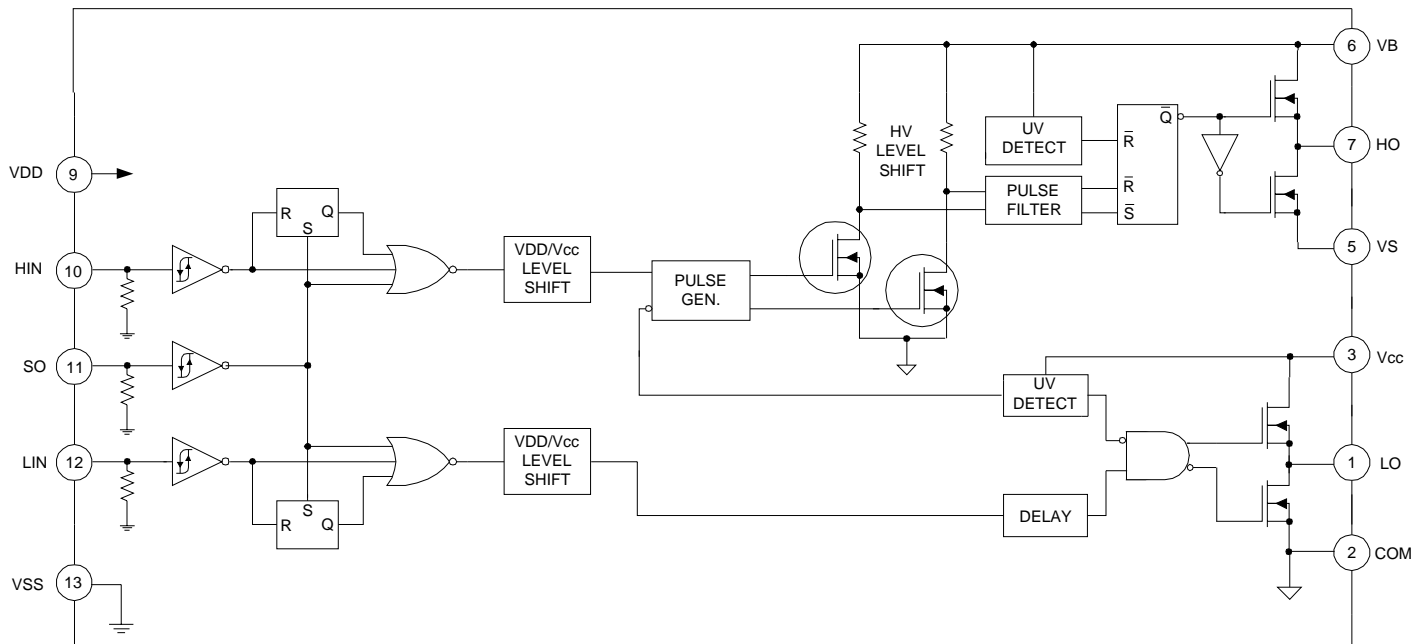
# C BOARD WAVEFORMS



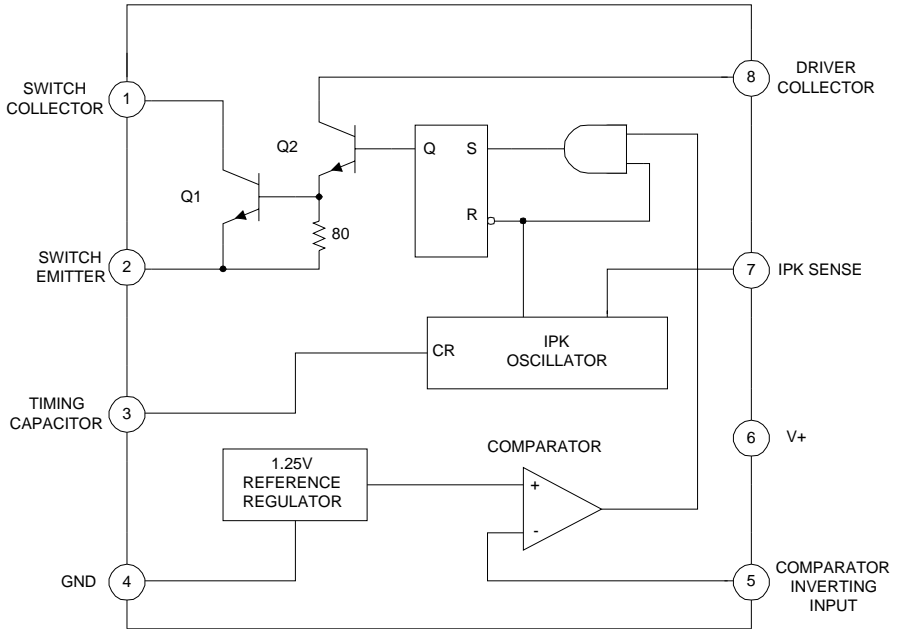




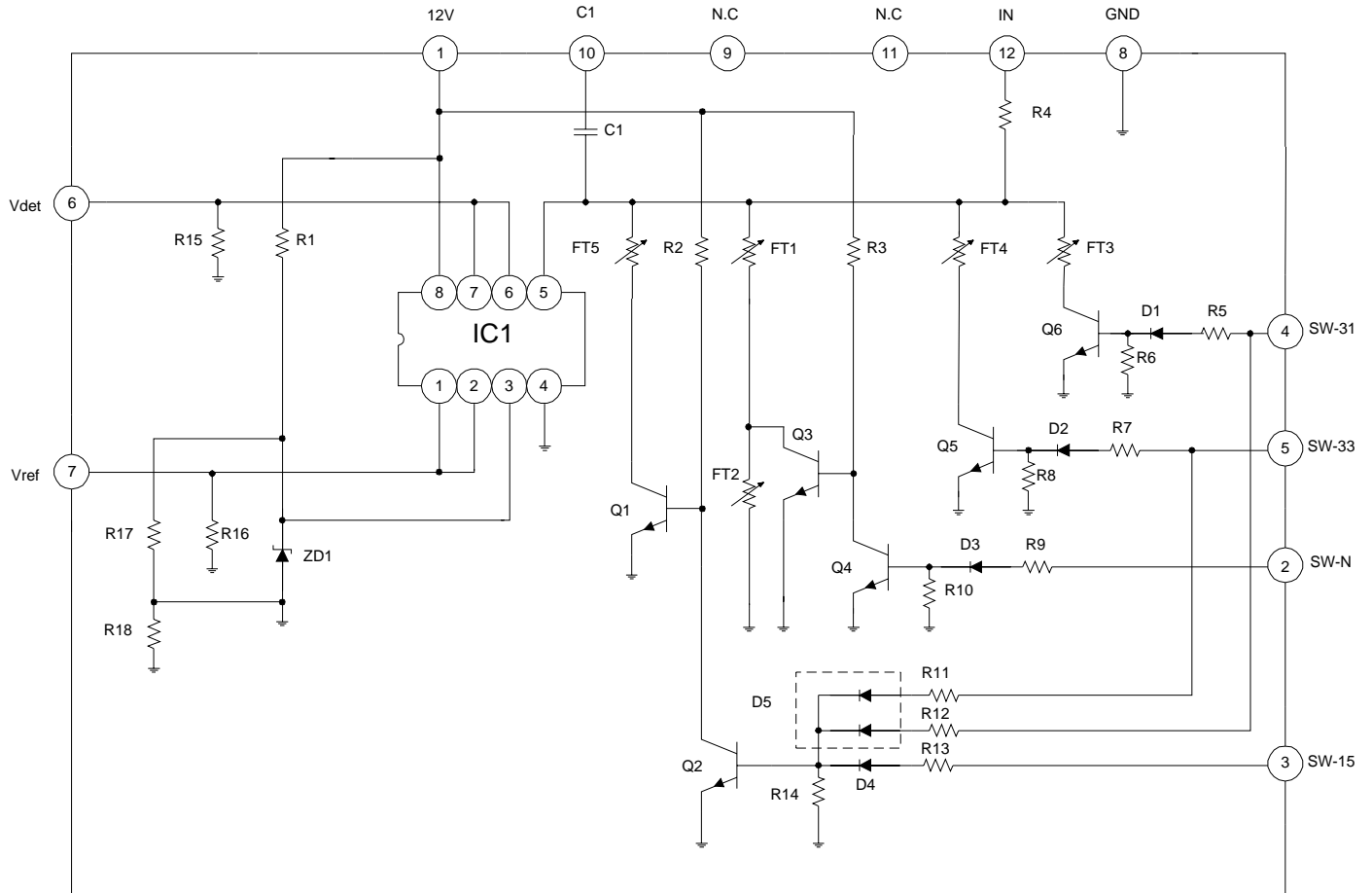
# D BOARD : IC4002 IR2112



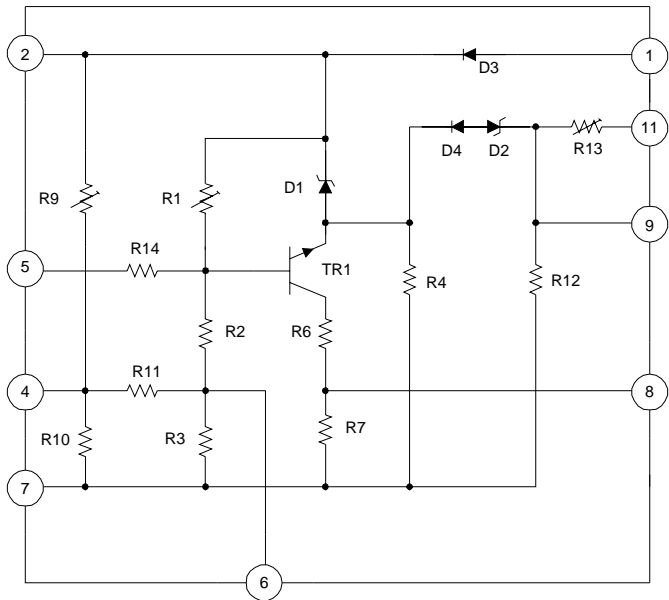
# D BOARD : IC4001 NJM2360AD



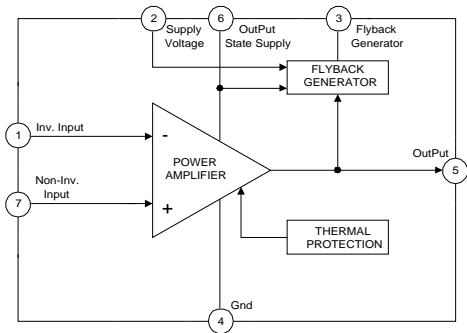
# D BOARD : IC4011 HM-1



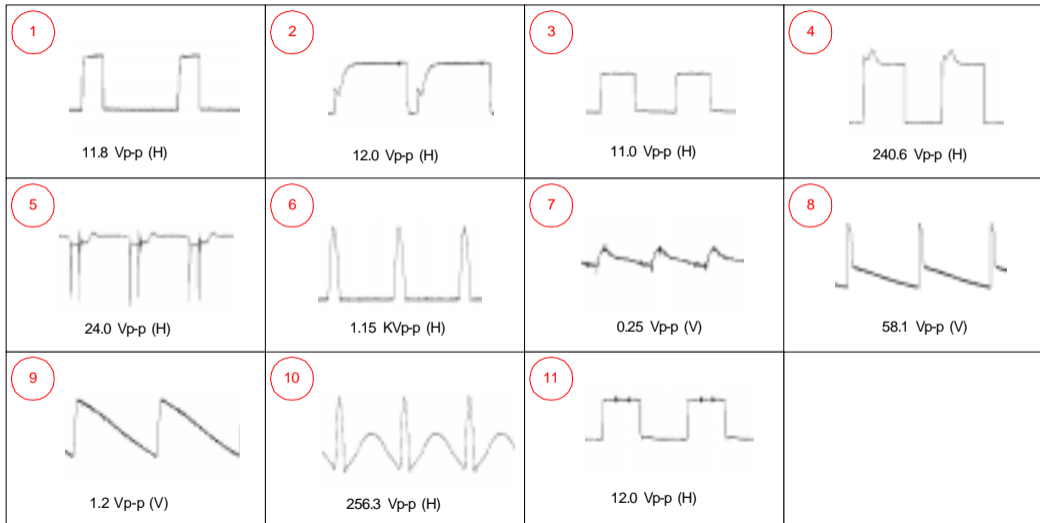
# D BOARD : IC7001 PM-26



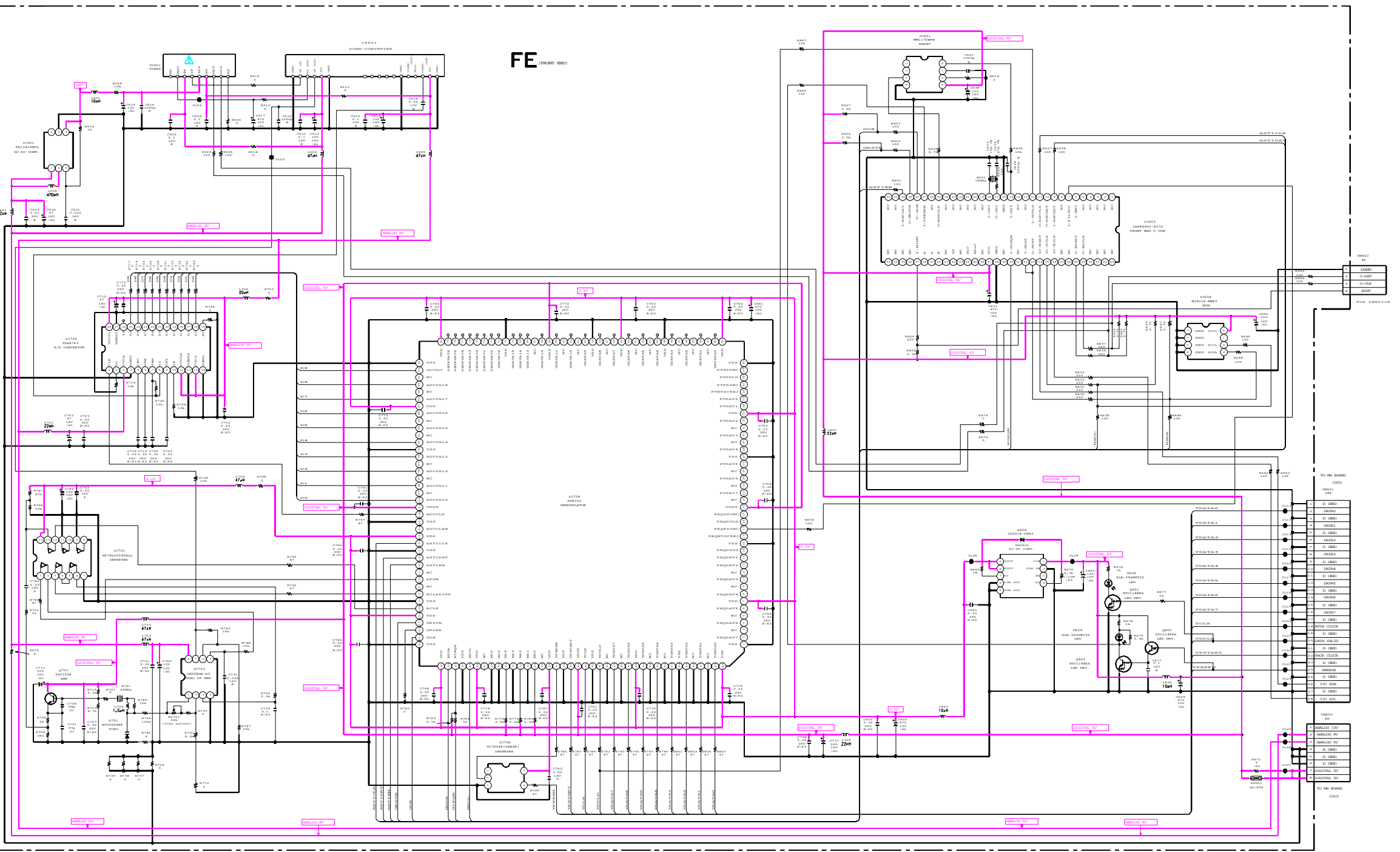
## D BOARD : IC7003 STV9379

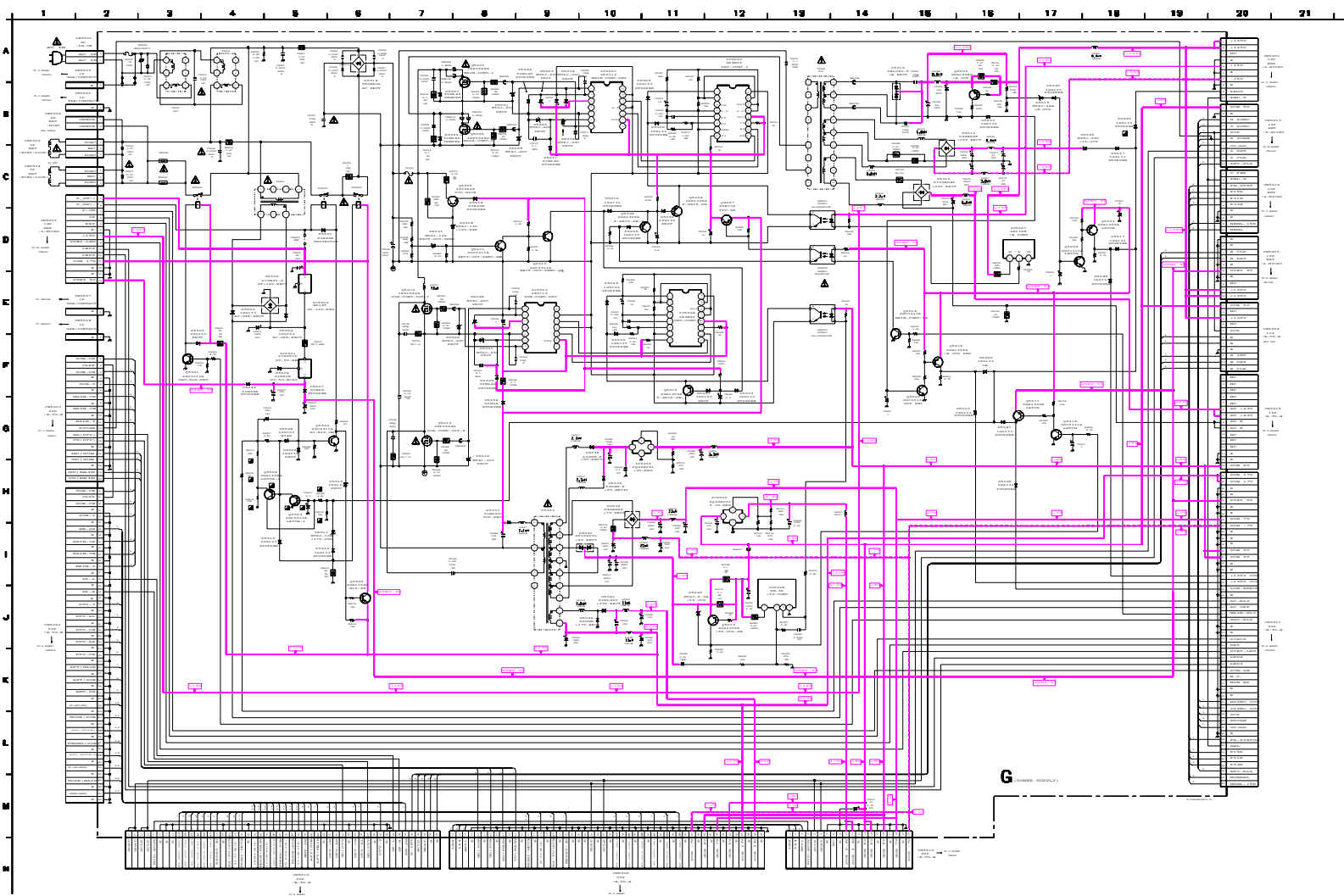


# D BOARD WAVEFORMS



# FE (FIGURE 1202)



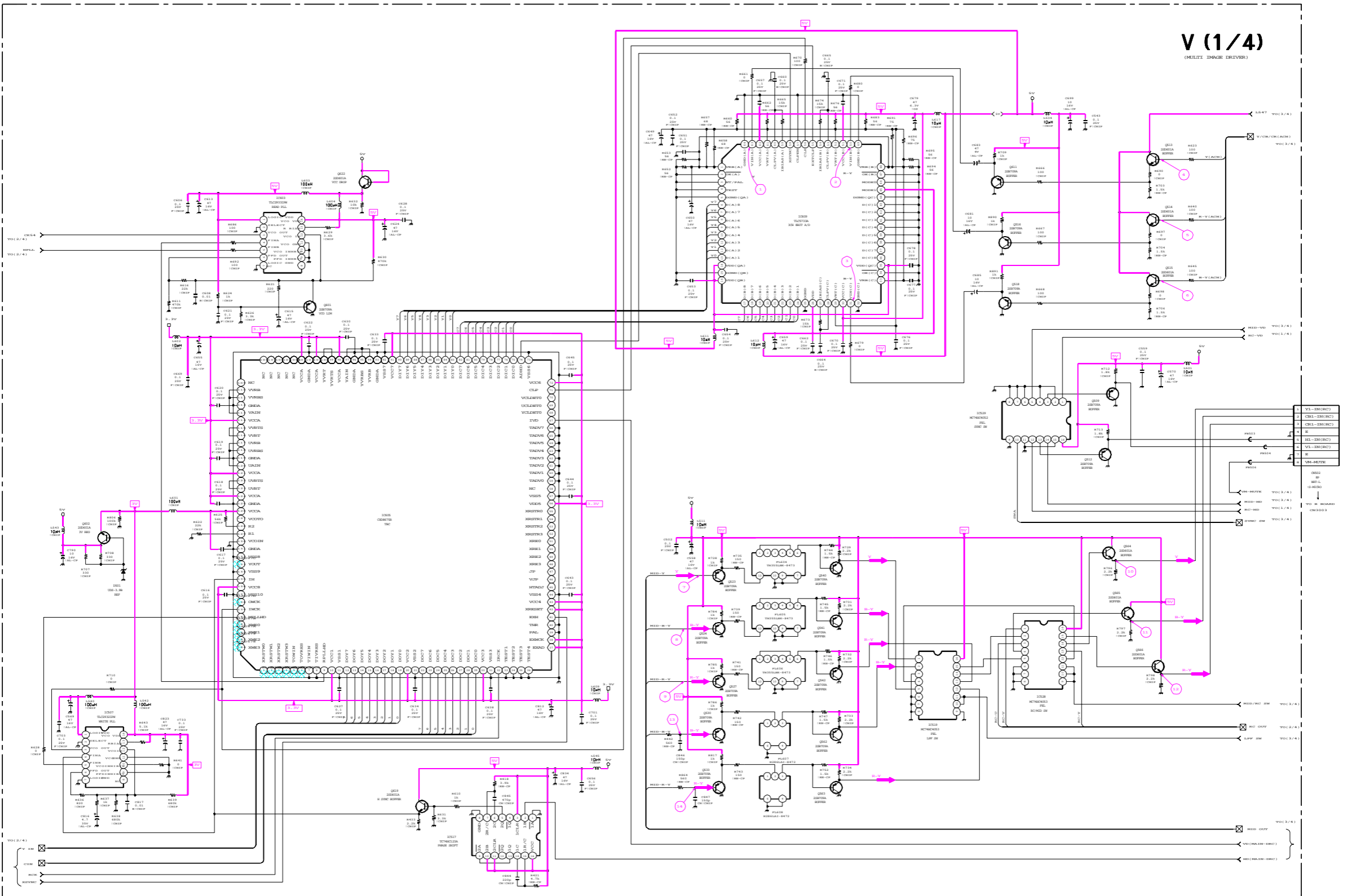


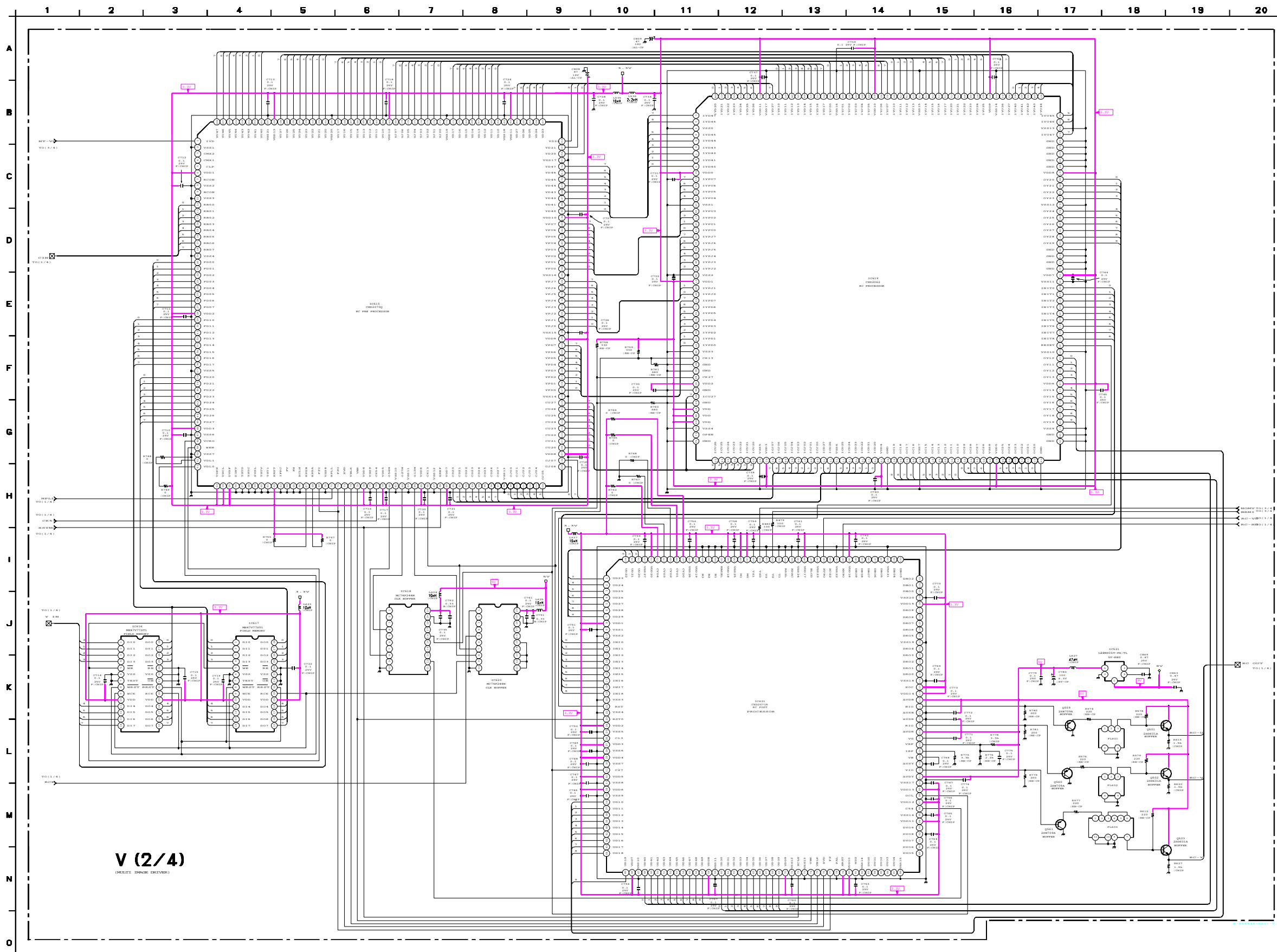
G  
COMMON WIRING



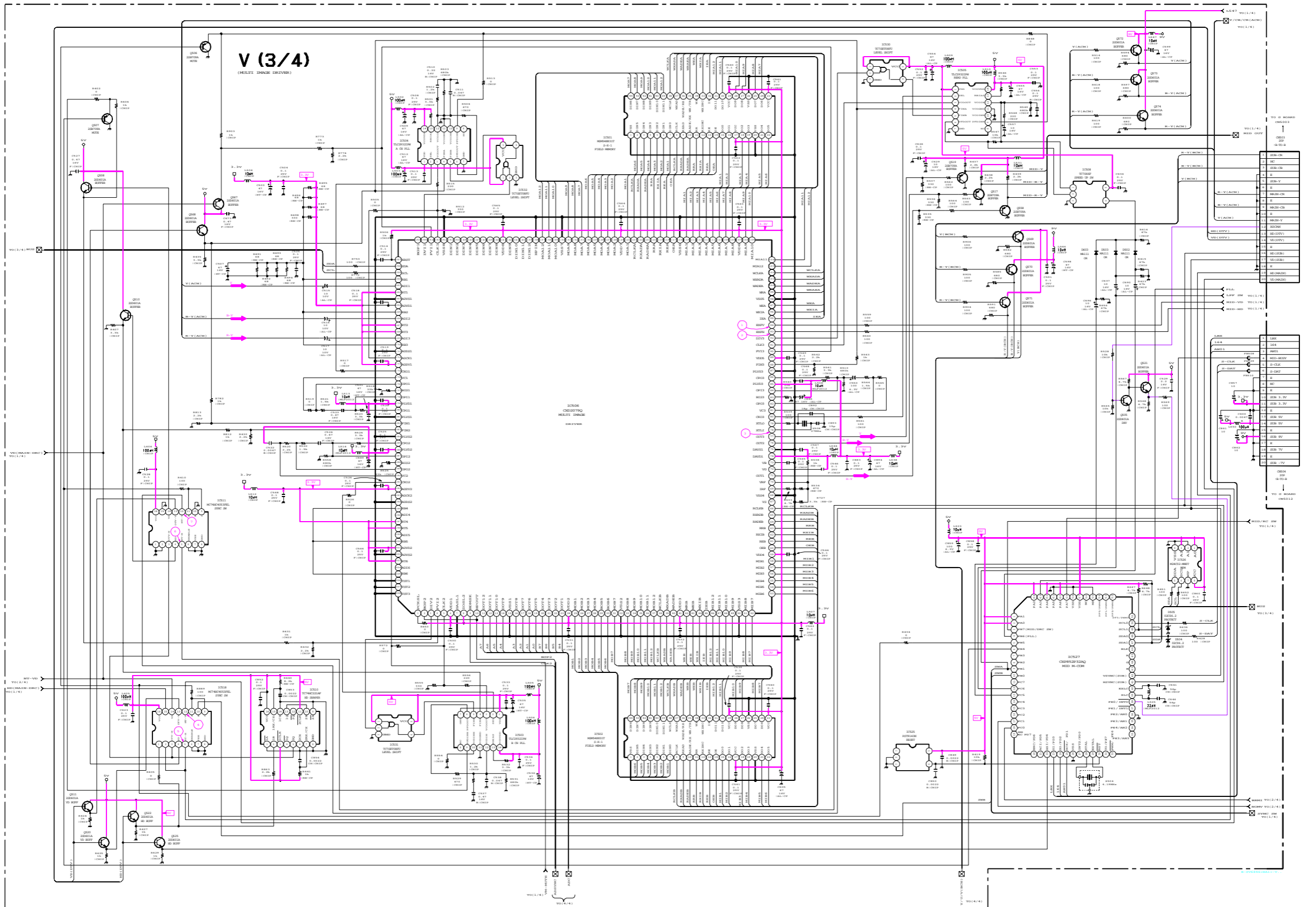
# V (1/4)

(MULTI IMAGE DRIVER)





V (2/4)  
(MULTI-IMPACT RECEIVER)



1

2

3

4

5

6

7

A

B

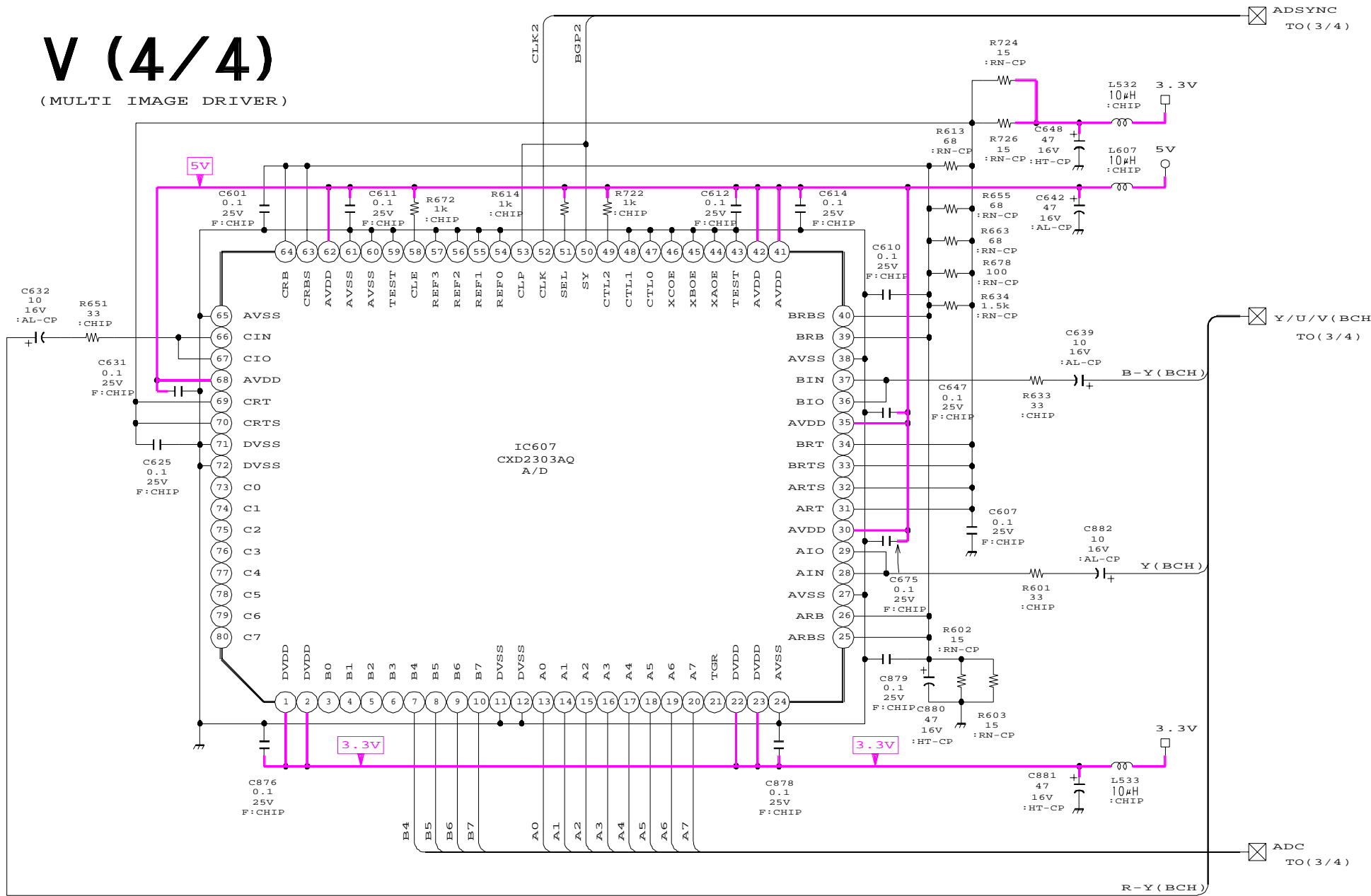
C

D

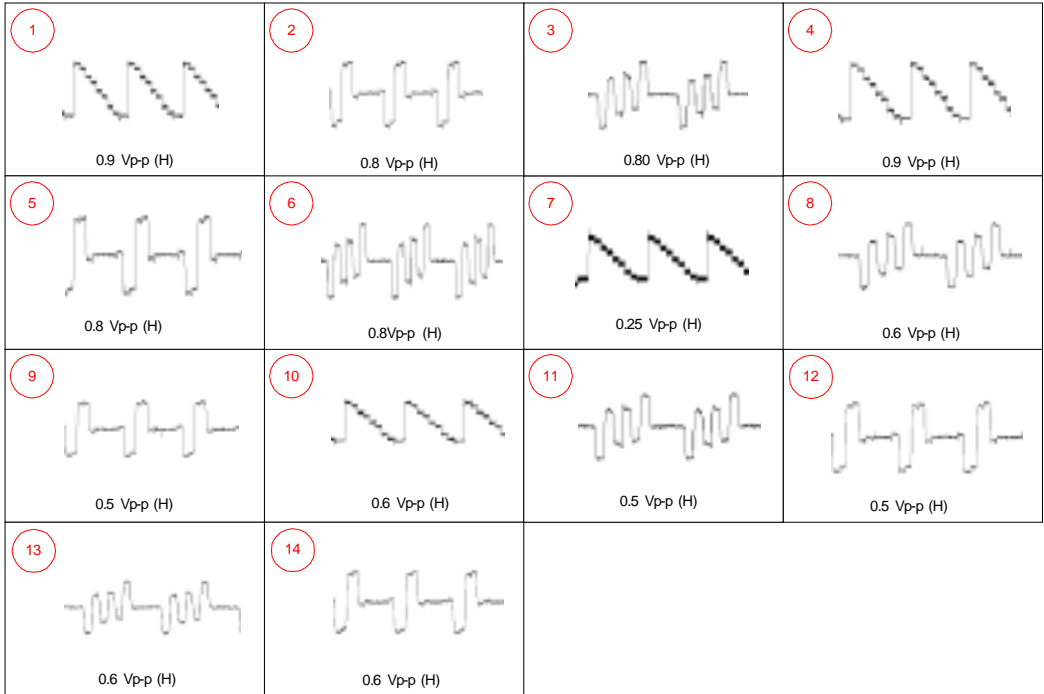
E

# V (4/4)

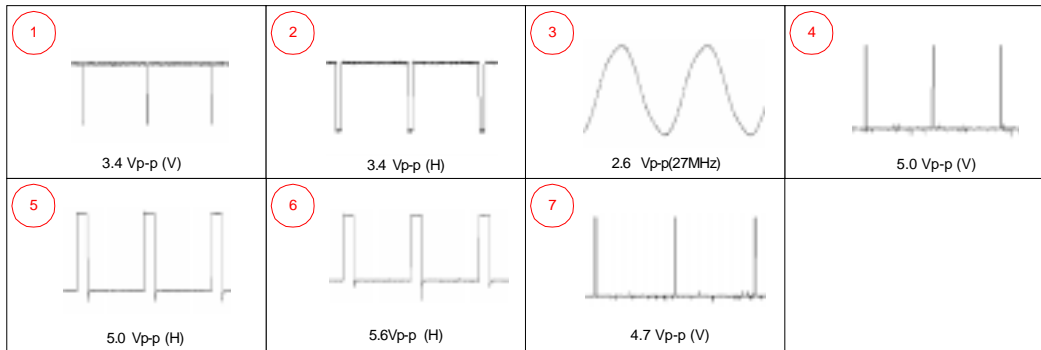
(MULTI IMAGE DRIVER)

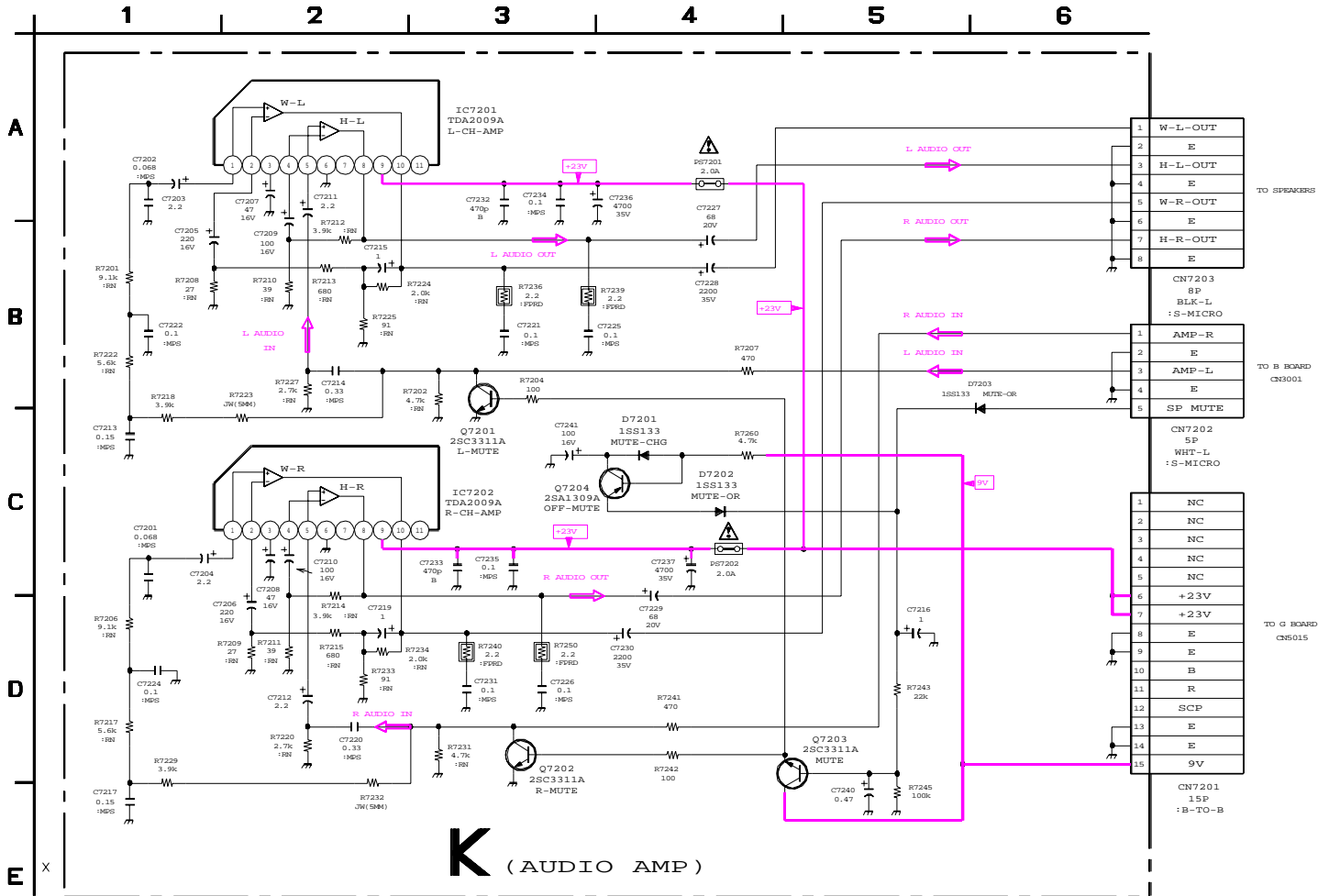


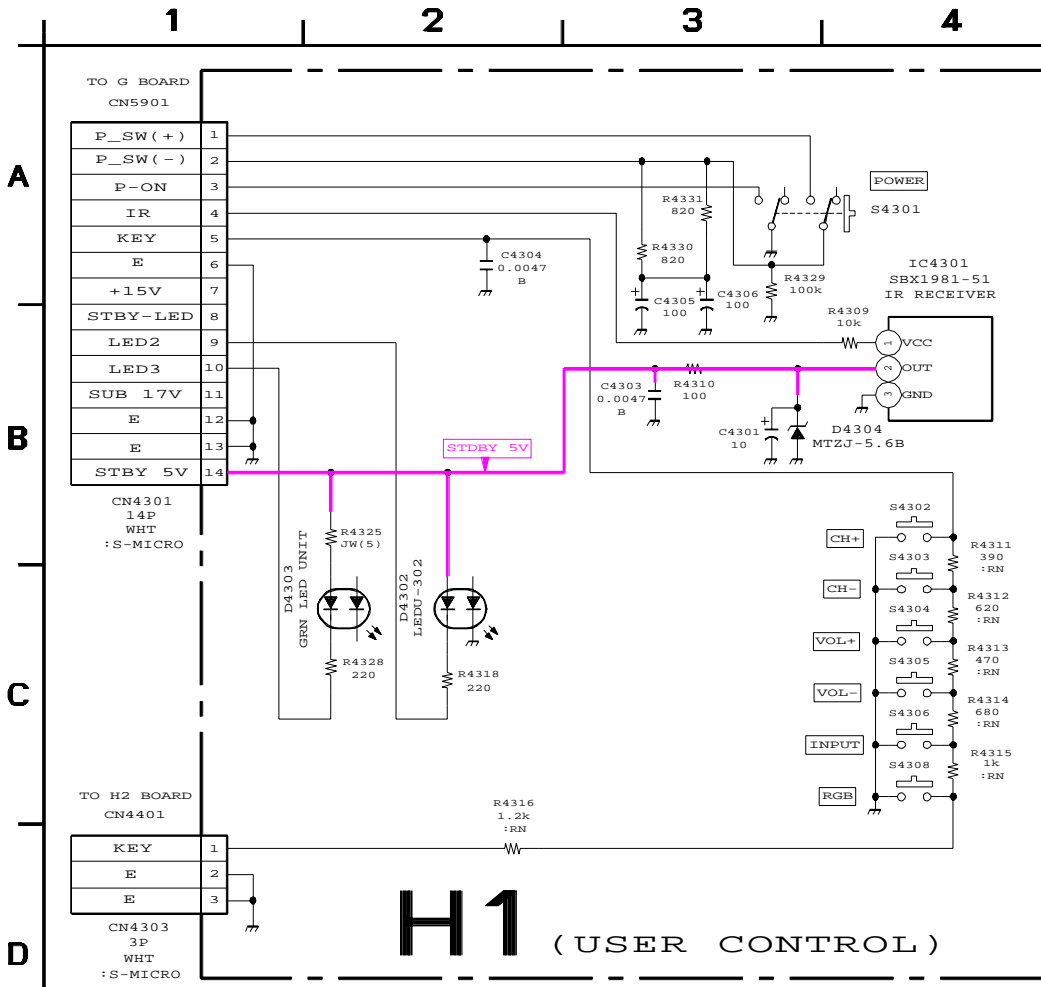
# V(1/4) BOARD WAVEFORMS



## V(3/4) BOARD WAVEFORMS







TO G BOARD  
CN5901

P_SW (+)	1
P_SW (-)	2
P-ON	3
IR	4
KEY	5
E	6
+15V	7
STBY-LED	8
LED2	9
LED3	10
SUB 17V	11
E	12
E	13
STBY 5V	14

CN4301  
14P  
WHT  
:S-MICRO

TO H2 BOARD  
CN4401

KEY	1
E	2
E	3

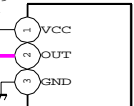
CN4303  
3P  
WHT  
:S-MICRO

# H1 (USER CONTROL)

POWER

S4301

IC4301  
SBX1981-51  
IR RECEIVER



C4304  
0.0047  
B

C4303  
0.0047  
B

C4301  
10

STDBY 5V

D4303  
GEN LED UNIT

D4302  
LED1-302

CH+

CH-

VOL+

VOL-

INPUT

RGB

R4311  
390  
:RN

R4312  
620  
:RN

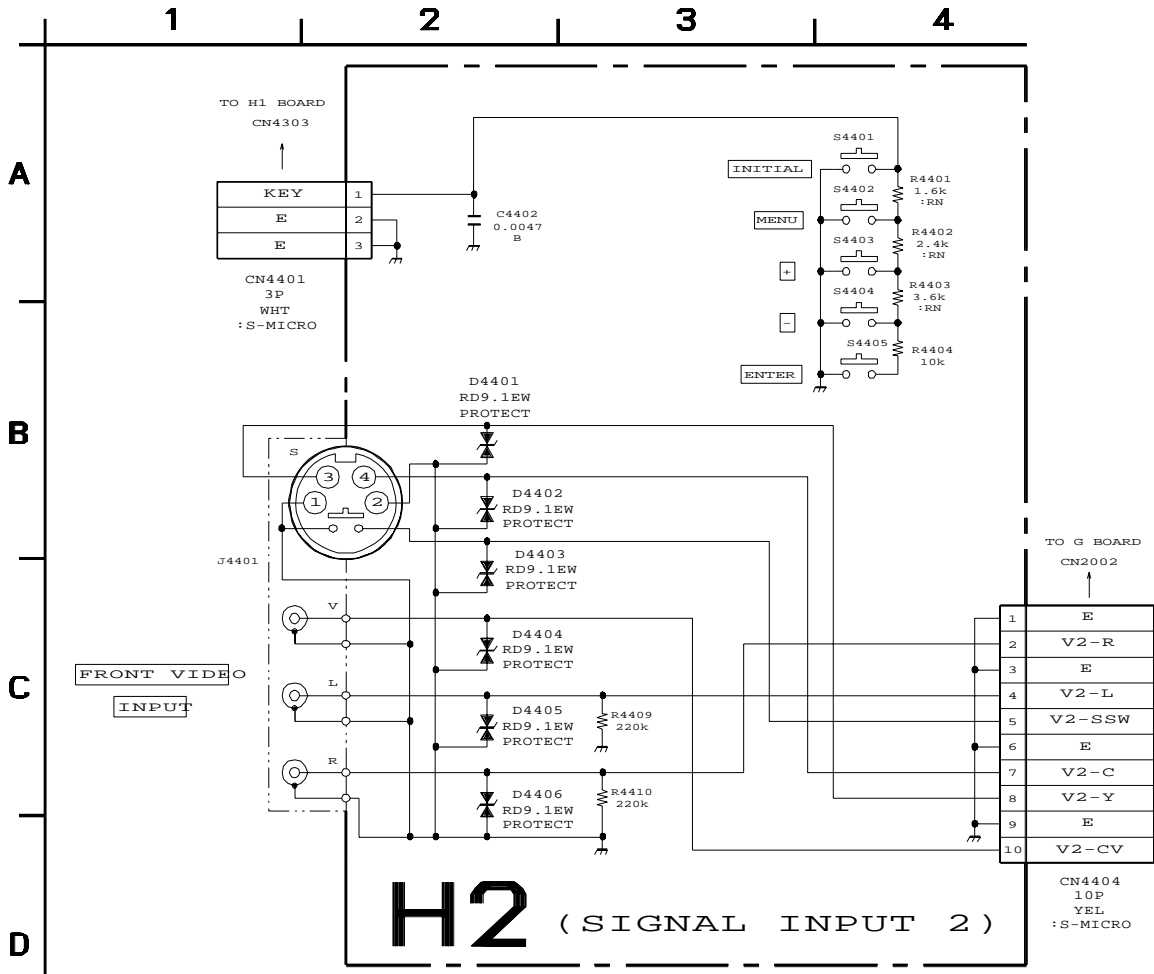
R4313  
470  
:RN

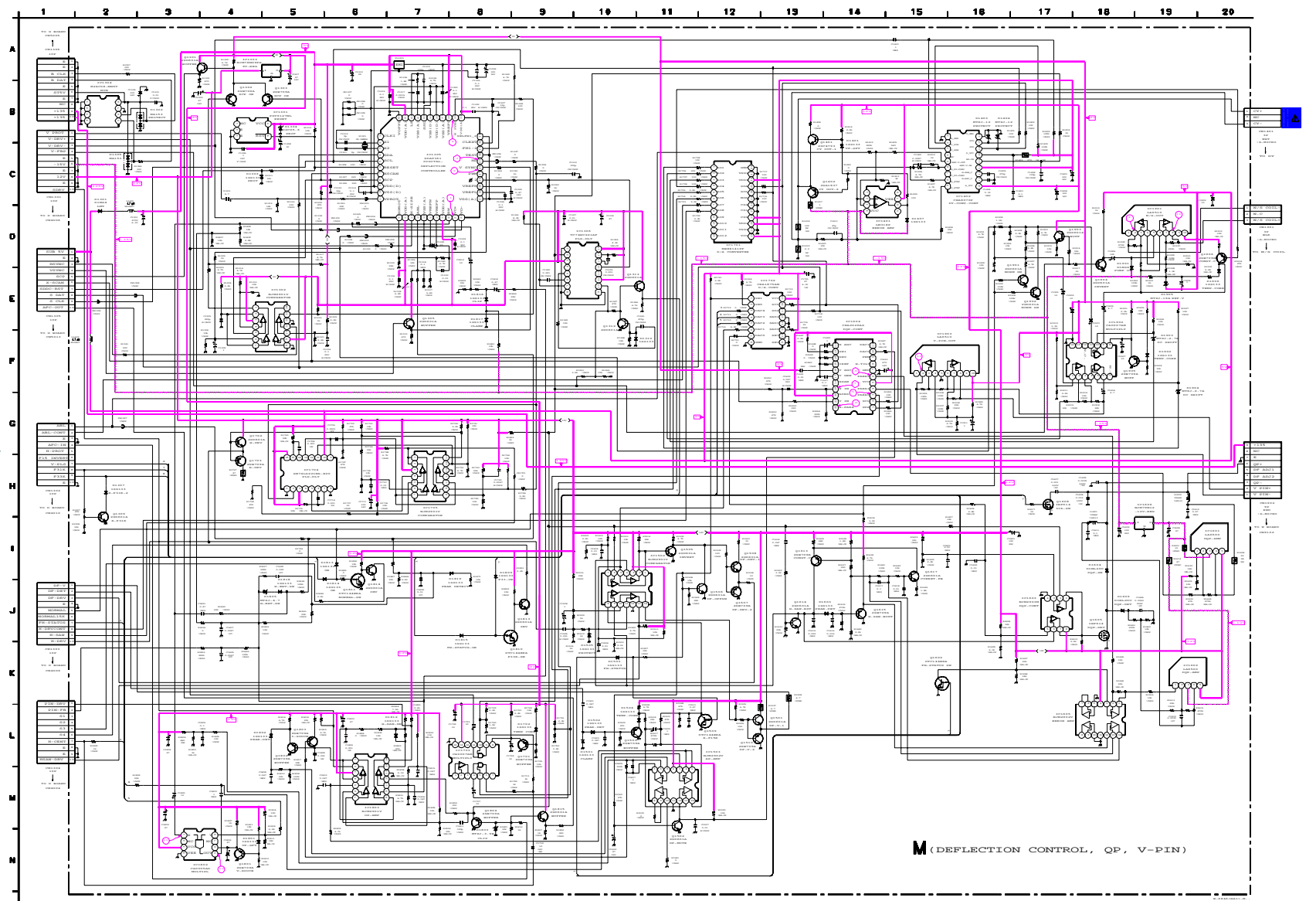
R4314  
680  
:RN

R4315  
1K  
:RN

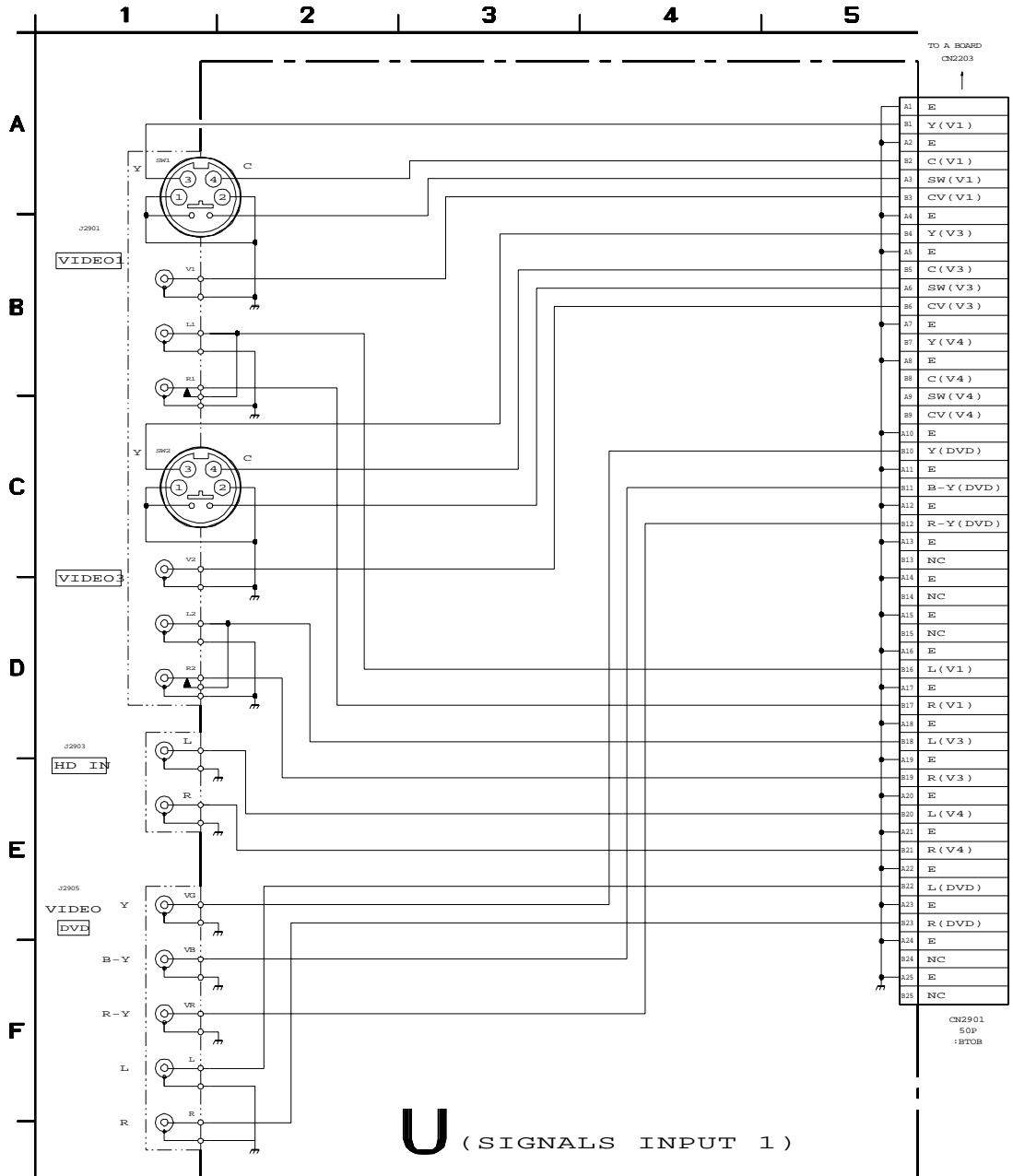
R4316  
1.2k  
:RN







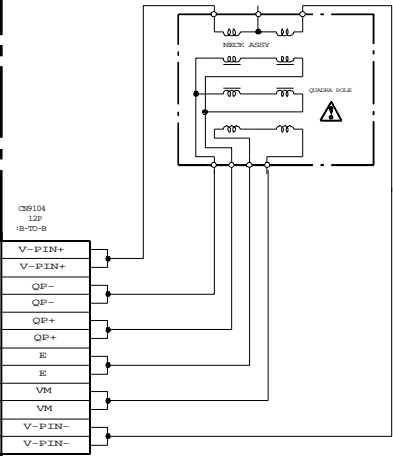
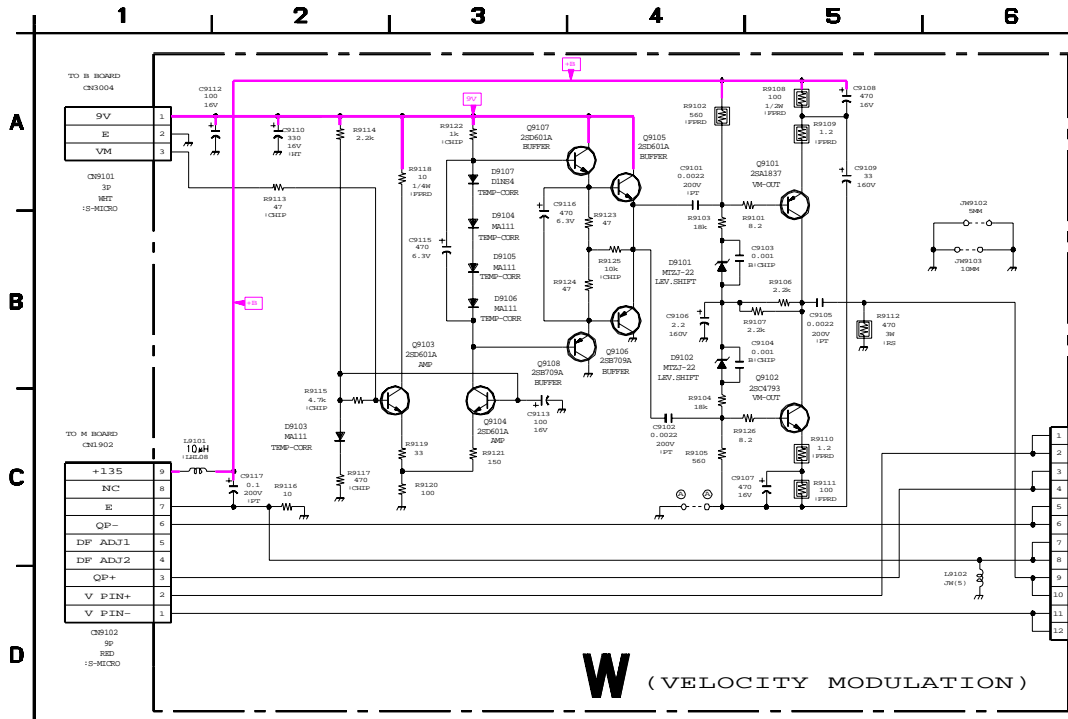
**M** (DEFLECTION CONTROL, QP, V-PIN)



TO A BOARD  
CN2203

A1	E
B1	Y (V1)
B2	C (V1)
B3	SW (V1)
B4	CV (V1)
B5	E
B6	Y (V3)
B7	E
B8	C (V3)
B9	SW (V3)
B10	CV (V3)
B11	E
B12	Y (V4)
B13	E
B14	C (V4)
B15	SW (V4)
B16	CV (V4)
B17	E
B18	Y (DVD)
B19	E
B20	B-Y (DVD)
B21	E
B22	R-Y (DVD)
B23	E
B24	NC
B25	NC
B26	NC
B27	NC
B28	E
B29	L (V1)
B30	E
B31	R (V1)
B32	E
B33	L (V3)
B34	E
B35	R (V3)
B36	E
B37	L (V4)
B38	E
B39	R (V4)
B40	E
B41	L (DVD)
B42	E
B43	R (DVD)
B44	NC
B45	E
B46	NC

CN2901  
50P  
:BT0B



**W** (VELOCITY MODULATION)

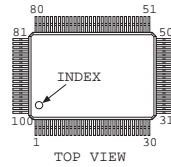




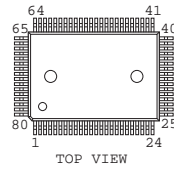
## 6-4. SEMICONDUCTORS

BA4558F  
BA7622F-E1  
MM1113XFBE  
NJM2533M(TE2)  
NJM2903M  
NJM2904E  
NJM2904M  
NJM4558E(TE2)  
ST24C02FM6TR  
TC4W53F  
TC4W66F(TE12R)  
TC7W08F  
TDA2822D  
(8 pin SOP)

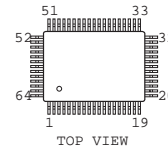
CXP80624A-041Q  
HD6433947-98HJ3-36MON  
HD6433947-98HJ3-36YSYS  
UPD64081GF-3BA



CXA2101AQ  
CXD2015AQ  
CXD2303Q  
CXD2303AQ



CXP85112B-662Q  
CXP85116B-672Q  
CXP85324A-248Q  
CXP85332A-249Q  
MB90091A-97HJ30SD



CXA2019AQ-T4  
(40 pin QFP)

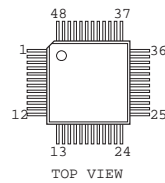
SDA9361  
STV6408  
TDA7344P  
(44 pin QFP)

F432615PZ  
(100 pin QFP)

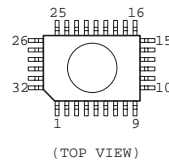
CXD2067Q  
(160 pin QFP)

BA3129F-E2  
CA0007AM  
MC74HC4066F  
NJM2901V(TE2)  
NJM2902V(TE2)  
SN74HCU04ANS-E20  
SN74HC00ANS  
SN74HC05ANS  
TLC2932IPW-E20  
TLC2933IPW-E20  
(14 pin SOP)

CXA1605AQ-T6  
CXD2309Q-T6  
CXD2310AR

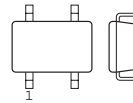


PQ20VB1E

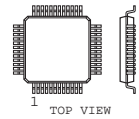


MM1031XMR  
(4 pin CHIP)

PST9127NL  
PST9143NL  
TC7SET08FU  
TC7S66F  
(5 pin CHIP)



CXD2075Q  
CXD2079Q  
TMC57133PPE  
(208 pin QFP)



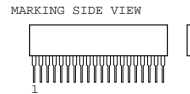
CXA2119M  
CXD2053AM-T6  
MN47V77ST1  
TEA6422DT  
(28 pin SOP)

CA0005AD  
IR2112  
NJM2901N  
(14 pin DIP)

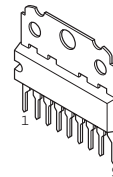
DM-56  
(4 pin SIP)

PM-26  
(11 pin SIP)

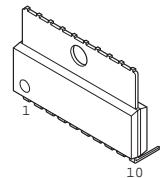
HM-1  
(12 pin SIP)



TDA6111Q/N4



LA6510



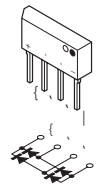
BU4052BCF-T2  
CXA1875AM-T4  
MC14538BF  
MC74HC4052F  
MC74HC4053F  
SN74LS221NS  
TC4052BFHB  
TC74HC221AF  
(16 pin SOP)

CXA8070P  
(18 pin DIP)  
IR3M02A  
(16 pin DIP)

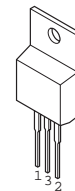
CXA2026AS  
(22 pin DIP)

UPD424210LE-60-A-E2  
(40 pin DIP)

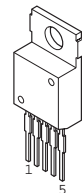
S1VB20-S  
S1VB40



LM7912CT  
NJM7905FA



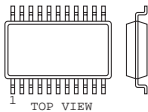
LA6500-FA



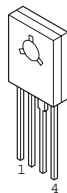
AK4309A-VM-E2  
M51272FP  
MB88141PF-ER  
UPC659AGS-E2  
(24 pin SOP)

TDA7309D013TR  
(20 pin SOP)

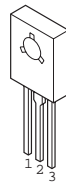
MSM548831TS-K  
(44 pin SOP)



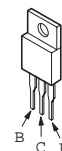
PQ30RV11  
PQ30RV21



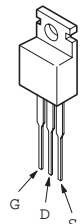
UPC79N05H



2SA1837  
2SA1964  
2SC4793  
2SC5248



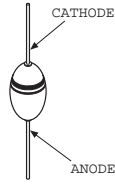
IRF614



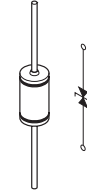
D1NL20  
 D1NS4  
 ERA81-004  
 ERA83-006  
 MTZJ-2.7A  
 MTZJ-2.7B  
 MTZJ-4.7  
 MTZJ-5.1A  
 MTZJ-7.5B  
 MTZJ-T-77-10  
 MTZJ-T-77-10B  
 MTZJ-T-77-12C  
 MTZJ-T-77-15  
 MTZJ-T-77-16A  
 MTZJ-T-77-2.0A  
 MTZJ-T-77-2.0B  
 MTZJ-T-77-2.7A  
 MTZJ-T-77-2.7B  
 MTZJ-T-77-20C  
 MTZJ-T-77-22  
 MTZJ-T-77-24B  
 MTZJ-T-77-3.9B  
 MTZJ-T-77-39  
 MTZJ-T-77-4.7  
 MTZJ-T-77-5.1A  
 MTZJ-T-77-5.6  
 MTZJ-T-77-5.6B  
 MTZJ-T-77-6.2B  
 MTZJ-T-77-7.5  
 MTZJ-T-77-9.1  
 RD10ESB2  
 RD12ES-B2  
 RD2.0ES-B1  
 RD2.0ES-B2  
 RD20ES-B2  
 RD24ES-B  
 RD3.9ES-B2  
 RD39ES-B2  
 RD5.6ESB2  
 RD6.2ESB2  
 11ES2

D1NL20  
 EL1Z  
 ERB44-06  
 GP08D  
 HSS83TD  
 MTZJ-T-77-22B  
 MTZJ-T-77-9.1A  
 RGP02-EL-6394  
 RGP10GPRG23  
 D3S6M-F  
 ERA91-02  
 ERC91-02  
 RGB10JPKG23  
 S2LA20F  
 1SS133T-77  
 D1NL20U  
 D2S6M  
 D2S6MTA1

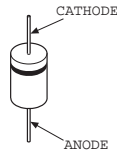
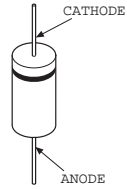
ERC38-06



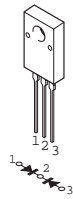
RD9.1EW



RU-3AM



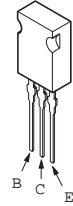
D8LC40  
 D8LC40F  
 SF10SC3L



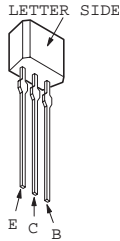
NJM78L05A



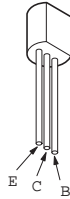
2SB1496EF



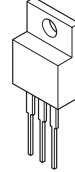
DTC113ZSA  
 DTC144ESA-TP  
 2SA1175-HFE  
 2SA1309A-QRSTA  
 2SC2785-HFE  
 2SC3311A-QRSTA



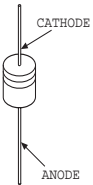
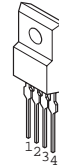
2SA1208S-TP



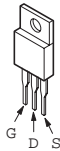
L7805CP  
 L7812CP  
 NJM78M09FA  
 NJM79M12FA  
 TA7805S  
 TA7812S



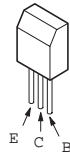
PQ30RV11  
 PQ30RV21



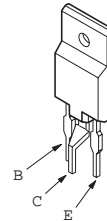
IRFI620G  
 IRFI630LF  
 IRFI644G  
 IRFI740G  
 IRFI9630GS  
 2SK2182



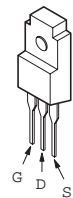
2SA1221-L  
 2SB733-34  
 2SB-734-T-4



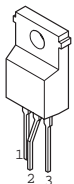
2SC4632LS-CB7



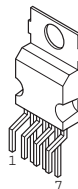
2SK2518-01MR



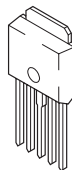
SE-135N



STV9379



PQ3TZ53U



PST9140NL

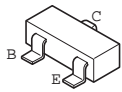


2SK1572S

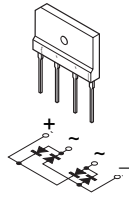




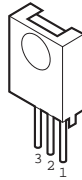
DTA143EK  
DTA143EKA-T146  
DTC144EKA  
DTC144EDA-T146  
2PB709AR-115  
2PD601AR-115  
2SA1162-G  
2SA1162-Y  
2SA1226  
2SA812-T1-M5M6  
2SB709A-QRS-TX  
2SC1623-L5L6  
2SC2412K-T-146-QR  
2SC3624A-L15  
2SC3624A-T1L15  
2SC3735-L-B35  
2SD601A-Q  
2SD601A-S



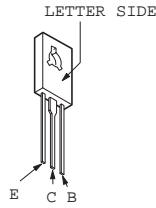
D6SB60L  
RBA404B  
RBA-406B  
RBA1004B



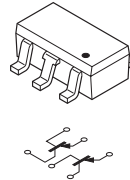
SBX1790-51



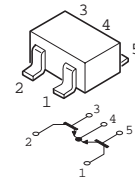
2SC2688-LK  
2SC3840



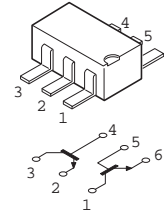
XN6401



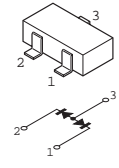
2SC4207-YGRTE85R



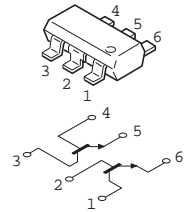
IMX3



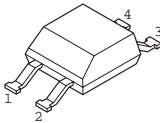
DAP202K  
DAN202K



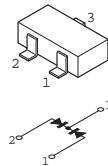
IMH6-T109



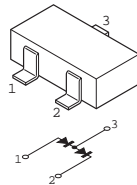
PC123FY2  
PC123F2



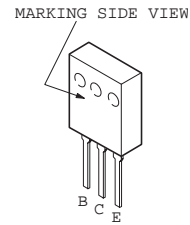
MA153-TX  
1SS226



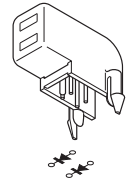
1SS302



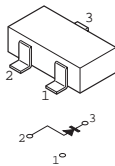
2SC3997S-SONY



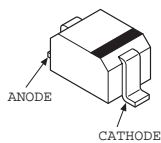
LNK01300037F



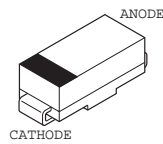
MA3091  
MA3100-TX  
MA-3100L-TX  
MA3110L-TX  
RD10M-B1  
RD11M-B1  
02CZ10-TE85L  
02CZ5.1-TE85L  
02CZ5.6-TE85L  
02CZ6.8-TE85L



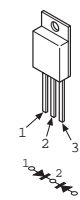
HVU359TRF  
MA111  
MA113-(TX)  
UDZ-TE-17-3.9B



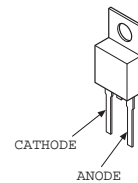
SC802-06



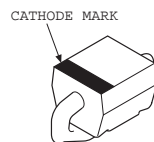
FMG-36S-LF024-104



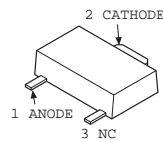
ERD08M-15



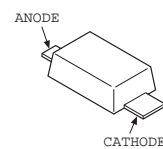
SC016-2-TE12RA



PS2501-1-L



MA8039



## SECTION 7 EXPLODED VIEWS

**Note:**

The components identified by shading and mark  $\Delta$  are critical for safety. Replace only with part number specified.

**Note:**

Les composants identifiés par un trame et une marque  $\Delta$  sont critiques pour la sécurité. Ne les remplacer que par une pièce portant le numéro spécifié.

• Items marked "\*" are not stocked since they are seldom required for routine service. Some delay should be anticipated when ordering these items.

• All variable and adjustable resistors have characteristic curve B, unless otherwise noted.

When indicating parts by reference number, please include the board name.

**RESISTORS**

- All resistors are in ohms
- F : nonflammable

**CAPACITORS**

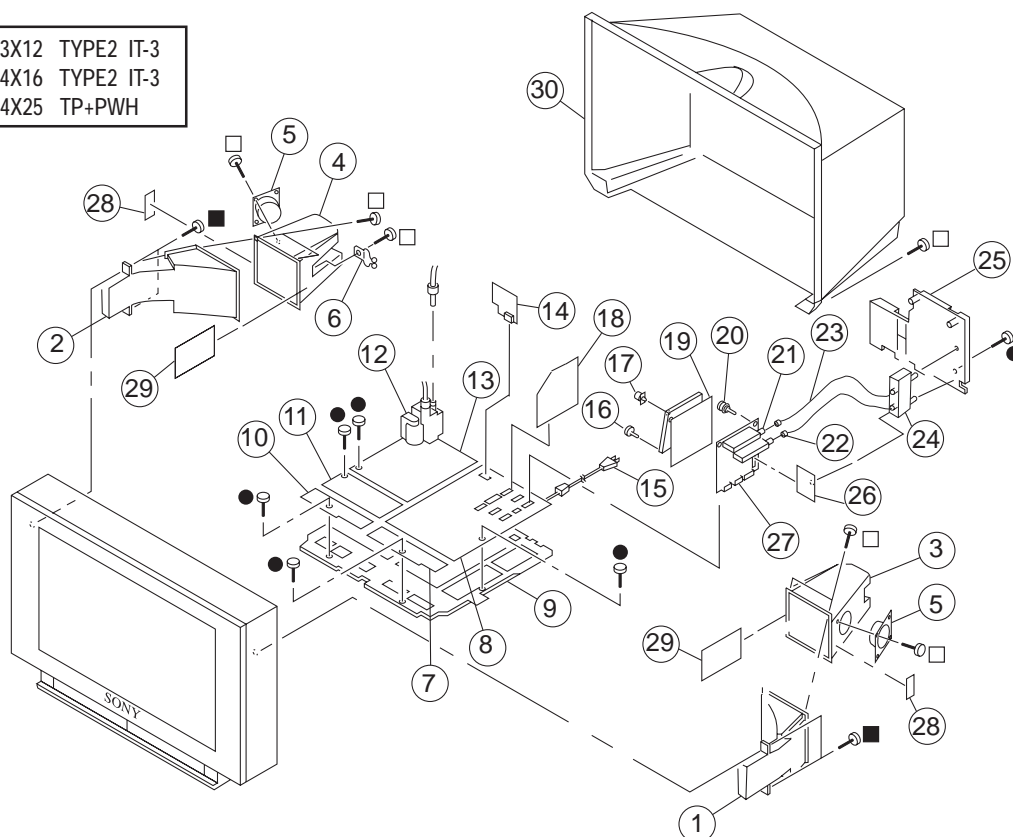
- MF =  $\mu$ F

**INDUCTORS**

- UH =  $\mu$ H, MMH = mH

**7-1. CHASSIS**

- 7-685-648-71 SCREW 3X12 TYPE2 IT-3
- 7-685-663-71 SCREW 4X16 TYPE2 IT-3
- 4-064-929-01 SCREW 4X25 TP+PWH

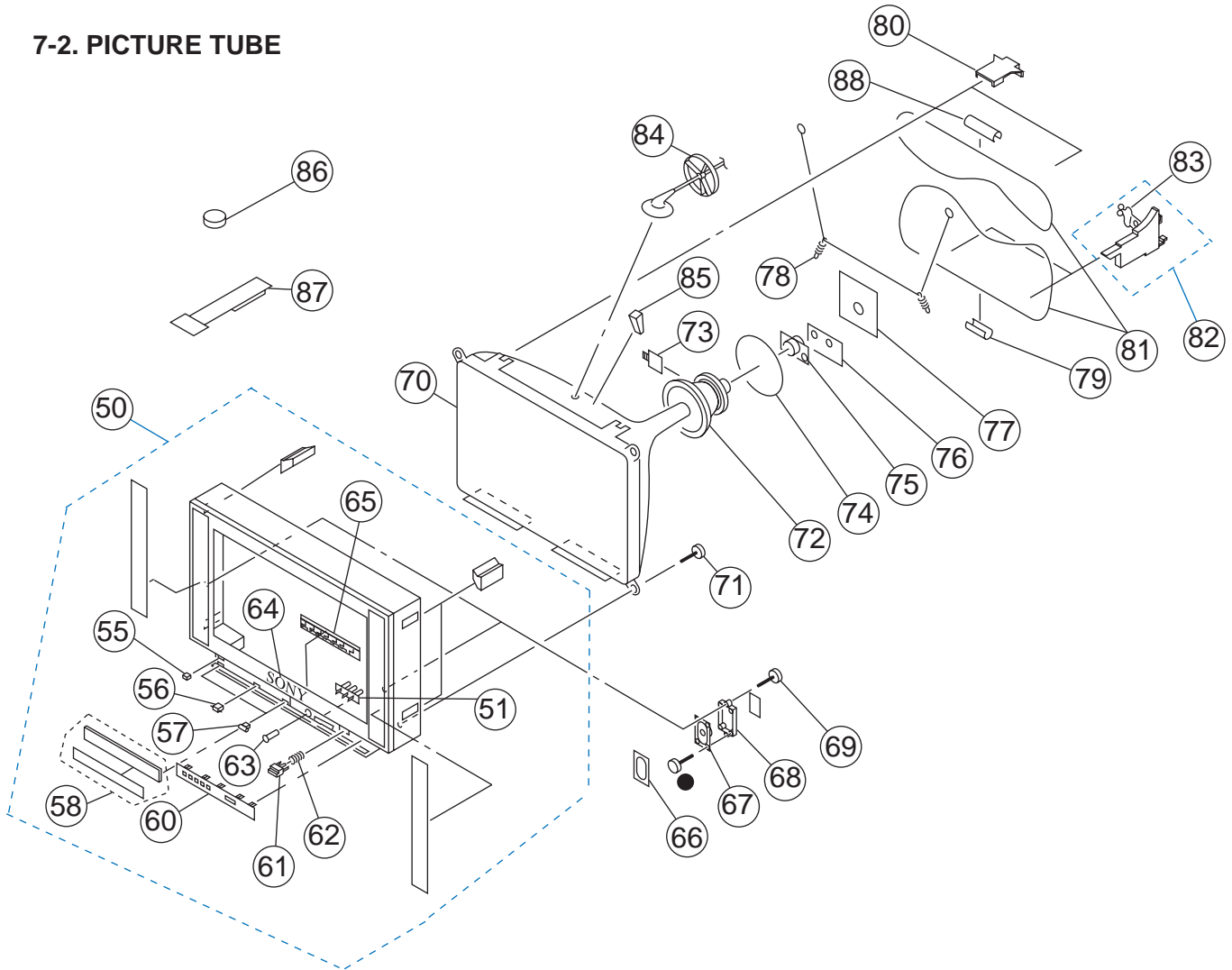


REF.NO.	PART NO.	DESCRIPTION	REMARK	REF.NO.	PART NO.	DESCRIPTION	REMARK
1	* X-4036-314-1	DUCT (R) ASSY, SPEAKER		16	* 4-061-610-01	CLIP (A), XMAS TREE	
2	* X-4036-313-1	DUCT (L) ASSY, SPEAKER		17	* 3-727-346-01	PC SUPPORT	
3	* X-4036-312-1	SPEAKER BOX ASSY (R)		18	* A-1135-956-A	B BOARD, COMPLETE	
4	* X-4036-311-1	SPEAKER BOX ASSY (L)		19	* A-1347-151-A	V BOARD, MOUNTED	
5	1-505-505-21	SPEAKER (10X10 CM)		20	4-061-284-01	RIVET (GU)	
6	3-701-417-00	PURSE LOCK		21	$\Delta$ 8-598-431-00	TUNER FSS BTF-WA411	
7	* A-1372-529-A	H1 BOARD, MOUNTED		22	* 1-555-110-00	CABLE, PIN	
8	* A-1316-409-A	G BOARD, COMPLETE		23	1-557-056-31	CABLE, P-P	
9	* 4-068-447-01	BRACKET, MAIN		24	1-251-321-12	SELECTOR, ANTENNA	
10	* A-1372-530-A	H2 BOARD, MOUNTED		25	X-4035-982-1	BRACKET ASSY, U	
11	* A-1306-562-A	M BOARD, COMPLETE		26	* A-1373-699-A	U BOARD, MOUNTED	
12	$\Delta$ X-4036-049-1	FBT TRANSFORMER NX-4127//J1J4		27	* A-1298-664-A	A BOARD, COMPLETE	
13	* A-1346-767-A	D BOARD, COMPLETE		28	4-066-643-02	CUSHION (34 X22)	
14	* A-1385-186-A	K BOARD, COMPLETE		29	4-065-701-01	SHEET (U), DAMPER	
15	$\Delta$ 1-769-837-11	CORD, POWER (w/NOISE FILTER)		30	4-064-961-02	COVER, REAR	

The components identified by shading and "Δ" mark are critical for safety. Replace only with specified part number.

Les composants identifiés par un trame et une marque Δ sont critiques pour la sécurité. Ne les remplacer que par une pièce portant le numéro spécifique.

7-2. PICTURE TUBE

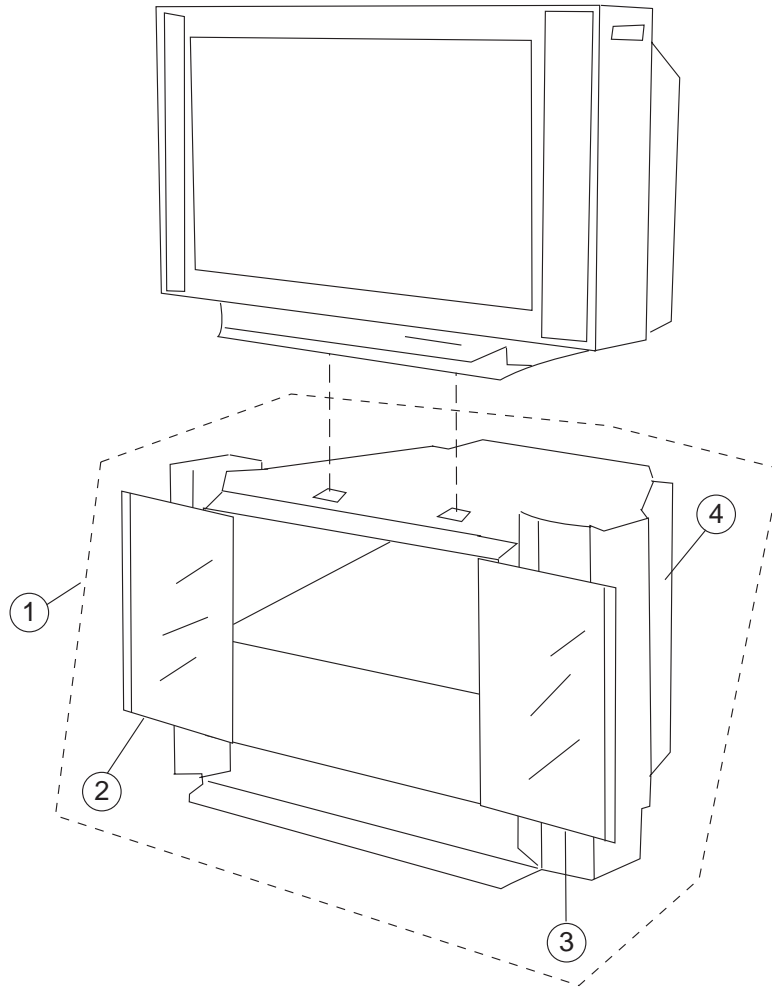


REF NO.	PART NO.	DESCRIPTION	REMARK	REF NO.	PART NO.	DESCRIPTION	REMARK
50	X-4035-981-1	BEZNET ASSY	51-65	72	Δ 8-451-498-21	DY Y36RVC-M2	
51	4-059-980-01	GUIDE LIGHT, LED		73	2-163-920-01	TLH CORRECTION PLATE	
55	3-736-779-41	MAGNET		74	1-452-896-11	COIL, NA ROTATION (RT200)	
56	3-703-035-11	SHAFT, LID		75	Δ 8-453-009-21	NA325-M2	
57	4-045-250-21	DAMPER		76	* A-1372-528-A	W BOARD, COMPLETE	
58	X-4035-984-1	DOOR, ASSY		77	* A-1331-702-A	C BOARD, MOUNTED	
60	X-4035-983-1	PANEL ASSY		78	4-065-852-01	SPRING, EXTENSION	
61	4-059-981-11	BUTTON, POWER		79	4-066-644-01	CUSHION (95X50)	
62	4-042-593-01	SPRING, COMPRESSION		80	4-064-945-02	HOLDER, DGC	
63	4-389-517-01	GUIDE (R), LIGHT		81	Δ 1-416-837-11	COIL, DEMAGNETIC	
64	3-704-179-01	EMBLEM (NO.9), SONY		82	4-064-944-01	SUPPORTER, CRT	
65	4-059-987-12	MULTI BUTTON		83	3-701-831-00	PURSE LOCK	
66	* 4-060-635-01	SPACER, SPEAKER		84	3-704-372-31	HOLDER, HV CABLE	
67	1-505-740-31	SPEAKER (5X9CM)		85	4-053-005-01	SPACER, DY	
68	4-060-639-03	SPEAKER, BRACKET		86	1-452-032-00	MAGNET, DISC	
69	4-302-404-03	SCREW (WASHER HEAD) (+P 4X16)		87	4-051-734-21	PIECE B (120), CONV. CORRECT	
70	Δ 8-735-060-05	CRT 36RV2 (W86LPH015X)		88	4-066-885-01	CUSHION (330X50)	
71	4-046-765-01	SCREW, TAPPING (7 + CROWN WASHER)					

The components identified by shading and "Δ" mark are critical for safety. Replace only with specified part number.

Les composants identifiés par un trame et une marque Δ sont critiques pour la sécurité. Ne les remplacer que par une pièce portant le numéro spécifié.

### 7-3. TV STAND



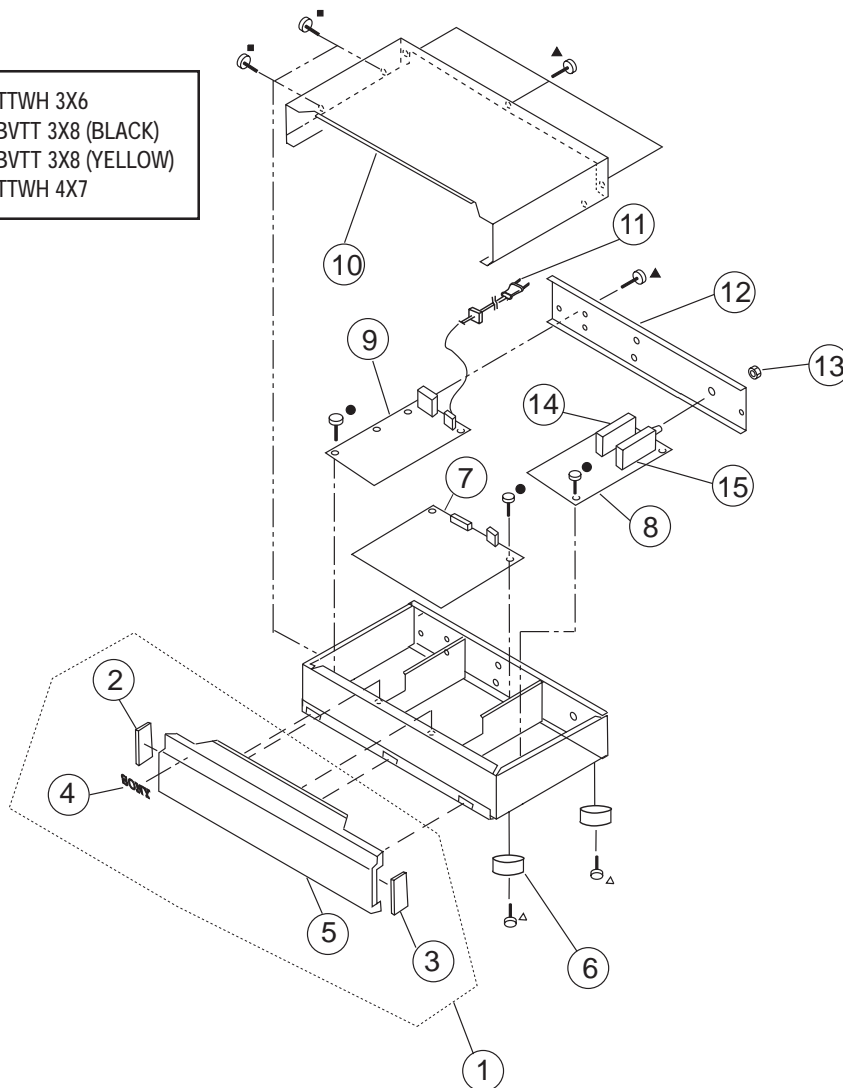
REF NO.	PART NO.	DESCRIPTION	REMARK
1	* X-4036-209-1	STAND ASSY	2-4
2	* X-4036-207-1	DOOR ASSY (L)	
3	* X-4036-206-1	DOOR ASSY (R)	
4	* 4-069-068-01	SIDE ACRYLIC PANEL	

The components identified by shading and "Δ" mark are critical for safety. Replace only with specified part number.

Les composants identifiés par un trame et une marque Δ sont critiques pour la sécurité. Ne les remplacer que par une pièce portant le numéro spécifique.

7-4. DTV RECEIVER

- 3-703-249-11 SCREW PTTWH 3X6
- ▲ 3-703-685-21 SCREW +BVTT 3X8 (BLACK)
- 7-685-872-01 SCREW +BVTT 3X8 (YELLOW)
- △ 9-882-049-01 SCREW PTTWH 4X7



REF NO.	PART NO.	DESCRIPTION	REMARK
	1-761-112-11	DTV RECEIVER BOX, COMPLETE	1-15
1	9-882-050-01	BEZEL ASSEMBLY	2-5
2	9-882-052-01	CAP END, LEFT	
3	9-882-051-01	CAP END, RIGHT	
4	4-942-568-41	SONY BADGE	
5	4-068-312-01	FRONT BEZEL	
6	X-4949-523-1	FOOT ASSY	
7 *	1-672-153-11	MH BOARD, COMPLETE	
8	A-4950-986-A	FE BOARD, COMPLETE	
9	9-881-760-01	POWER SUPPLY BOARD, COMPLETE	
10	9-882-046-01	CHASSIS, TOP	
11	9-881-738-01	CORD, POWER 2P	
12	9-882-047-01	CHASSIS, BACK	
13	3-682-691-21	NUT, F TERMINAL	
14 *	A-4954-039-A	IF UNIT	
15 Δ	A-4954-038-A	TUNER UNIT	





## SECTION 8 ELECTRICAL PARTS LIST

**Note:**

The components identified by shading and mark **Δ** are critical for safety. Replace only with part number specified.

**Note:**

Les composants identifiés par un trame et une marque **Δ** sont critiques pour la sécurité. Ne les remplacer que par une pièce portant le numéro spécifié.

The components identified by **Δ** in this manual have been carefully factory-selected for each set in order to satisfy regulations regarding X-ray radiation. Should replacement be required, replace only with the value originally used.

- Items marked " \* " are not stocked since they are seldom required for routine service. Some delay should be anticipated when ordering these items.

- All variable and adjustable resistors have characteristic curve B, unless otherwise noted.

**RESISTORS**

- All resistors are in ohms
- F : nonflammable

**CAPACITORS**

- MF =  $\mu$ F

**INDUCTORS**

- UH =  $\mu$ H, MMH = mH

When indicating parts by reference number, please include the board name.

REF.NO.	PART NO.	DESCRIPTION	REMARK	REF.NO.	PART NO.	DESCRIPTION	REMARK
<b>A</b>							
	* A-1298-664-A	A BOARD, COMPLETE					
		<b>CAPACITOR</b>					
C2001	1-126-968-11	ELECT	100MF 20% 50V	C2033	1-126-960-11	ELECT	1MF 20% 50V
C2002	1-126-968-11	ELECT	100MF 20% 50V	C2034	1-126-960-11	ELECT	1MF 20% 50V
C2003	1-126-943-11	ELECT	2200MF 20% 25V	C2038	1-126-964-11	ELECT	10MF 20% 50V
C2004	1-104-664-11	ELECT	47MF 20% 25V	C2039	1-126-963-11	ELECT	4.7MF 20% 50V
C2005	1-126-965-11	ELECT	22MF 20% 50V	C2040	1-163-037-11	CERAMIC CHIP	0.022MF 10% 50V
C2006	1-126-964-11	ELECT	10MF 20% 50V	C2044	1-126-964-11	ELECT	10MF 20% 50V
C2007	1-126-964-11	ELECT	10MF 20% 50V	C2045	1-126-964-11	ELECT	10MF 20% 50V
C2008	1-126-964-11	ELECT	10MF 20% 50V	C2046	1-164-004-11	CERAMIC CHIP	0.1MF 10% 25V
C2009	1-126-964-11	ELECT	10MF 20% 50V	C2047	1-126-943-11	ELECT	2200MF 20% 25V
C2010	1-126-964-11	ELECT	10MF 20% 50V	C2048	1-124-779-00	ELECT	10MF 20% 16V
C2011	1-126-964-11	ELECT	10MF 20% 50V	C2049	1-124-779-00	ELECT	10MF 20% 16V
C2012	1-126-964-11	ELECT	10MF 20% 50V	C2050	1-126-933-11	ELECT	100MF 20% 16V
C2013	1-126-964-11	ELECT	10MF 20% 50V	C2051	1-104-664-11	ELECT	47MF 20% 16V
C2014	1-126-968-11	ELECT	100MF 20% 50V	C2052	1-104-664-11	ELECT	47MF 20% 25V
C2015	1-126-968-11	ELECT	100MF 20% 50V	C2053	1-164-004-11	CERAMIC CHIP	0.1MF 10% 25V
C2016	1-104-664-11	ELECT	47MF 20% 25V	C2055	1-124-779-00	ELECT	10MF 20% 16V
C2017	1-164-005-11	CERAMIC CHIP	0.47MF 25V	C2056	1-126-964-11	ELECT	10MF 20% 50V
C2018	1-164-005-11	CERAMIC CHIP	0.47MF 25V	C2057	1-104-664-11	ELECT	47MF 20% 25V
C2019	1-164-005-11	CERAMIC CHIP	0.47MF 25V	C2058	1-126-964-11	ELECT	10MF 20% 50V
C2020	1-164-005-11	CERAMIC CHIP	0.47MF 25V	C2059	1-126-964-11	ELECT	10MF 20% 50V
C2021	1-164-005-11	CERAMIC CHIP	0.47MF 25V	C2060	1-164-161-11	CERAMIC CHIP	0.0022MF 10% 50V
C2022	1-164-005-11	CERAMIC CHIP	0.47MF 25V	C2062	1-104-664-11	ELECT	47MF 20% 25V
C2023	1-126-941-11	ELECT	470MF 20% 25V	C2063	1-104-664-11	ELECT	47MF 20% 25V
C2024	1-109-889-11	ELECT	1MF 20% 50V	C2065	1-163-253-11	CERAMIC CHIP	120PF 5% 50V
C2025	1-126-965-11	ELECT	22MF 20% 50V	C2066	1-164-005-11	CERAMIC CHIP	0.47MF 25V
C2028	1-128-551-11	ELECT	22MF 20% 25V	C2067	1-164-005-11	CERAMIC CHIP	0.47MF 25V
C2029	1-128-551-11	ELECT	22MF 20% 25V	C2068	1-163-121-00	CERAMIC CHIP	150PF 5% 50V
C2030	1-128-551-11	ELECT	22MF 20% 25V	C2070	1-124-779-00	ELECT	10MF 20% 16V
C2031	1-126-941-11	ELECT	470MF 20% 25V	C2071	1-124-779-00	ELECT	10MF 20% 16V
C2032	1-126-941-11	ELECT	470MF 20% 25V	C2073	1-163-253-11	CERAMIC CHIP	120PF 5% 50V
				C2076	1-126-964-11	ELECT	10MF 20% 50V
				C2077	1-126-964-11	ELECT	10MF 20% 50V
				C2078	1-126-964-11	ELECT	10MF 20% 50V
				C2085	1-104-665-11	ELECT	100MF 20% 25V
				C2087	1-164-004-11	CERAMIC CHIP	0.1MF 10% 25V
				C2088	1-163-229-11	CERAMIC CHIP	12PF 5% 50V
				C2091	1-126-964-11	ELECT	10MF 20% 50V



REF.NO.	PART NO.	DESCRIPTION		REMARK			REF.NO.	PART NO.	DESCRIPTION		REMARK
C2092	1-164-005-11	CERAMIC CHIP	0.47MF			25V	C2245	1-163-031-11	CERAMIC CHIP	0.01MF	50V
C2093	1-104-664-11	ELECT	47MF	20%		16V	C2247	1-126-960-11	ELECT	1MF	20% 50V
C2094	1-104-664-11	ELECT	47MF	20%		16V	C2249	1-126-960-11	ELECT	1MF	20% 50V
C2095	1-164-005-11	CERAMIC CHIP	0.47MF			16V	C2251	1-104-664-11	ELECT	47MF	20% 16V
C2096	1-107-823-11	CERAMIC CHIP	0.47MF	10%		16V	C2253	1-163-031-11	CERAMIC CHIP	0.01MF	50V
C2097	1-164-005-11	CERAMIC CHIP	0.47MF			16V	C2254	1-104-664-11	ELECT	47MF	20% 16V
C2099	1-163-021-91	CERAMIC CHIP	0.01MF	10%		50V	C2255	1-163-031-11	CERAMIC CHIP	0.01MF	50V
C2101	1-107-910-11	ELECT	100MF	20%		50V	C2256	1-165-319-11	CERAMIC CHIP	0.1MF	50V
C2102	1-107-910-11	ELECT	100MF	20%		50V	C2257	1-163-231-11	CERAMIC CHIP	15PF	5% 50V
C2103	1-128-526-11	ELECT	100MF	20%		16V	C2258	1-104-664-11	ELECT	47MF	20% 16V
C2104	1-126-933-11	ELECT	100MF	20%		16V	C2259	1-126-964-11	ELECT	10MF	20% 50V
C2201	1-163-038-91	CERAMIC CHIP	0.1MF			25V	C2260	1-165-319-11	CERAMIC CHIP	0.1MF	50V
C2202	1-163-131-00	CERAMIC CHIP	390PF	5%		50V	C2261	1-104-664-11	ELECT	47MF	20% 16V
C2203	1-163-038-91	CERAMIC CHIP	0.1MF			25V	C2262	1-165-319-11	CERAMIC CHIP	0.1MF	50V
C2204	1-163-038-91	CERAMIC CHIP	0.1MF			25V	C2263	1-163-231-11	CERAMIC CHIP	15PF	5% 50V
C2205	1-163-102-00	CERAMIC CHIP	24PF	5%		50V	C2264	1-163-235-11	CERAMIC CHIP	22PF	5% 50V
C2206	1-163-102-00	CERAMIC CHIP	24PF	5%		50V	C2265	1-164-505-11	CERAMIC CHIP	2.2MF	16V
C2207	1-165-319-11	CERAMIC CHIP	0.1MF			50V	C2266	1-104-664-11	ELECT	47MF	20% 16V
C2208	1-165-319-11	CERAMIC CHIP	0.1MF			50V	C2267	1-104-664-11	ELECT	47MF	20% 16V
C2209	1-165-319-11	CERAMIC CHIP	0.1MF			50V	C2268	1-163-031-11	CERAMIC CHIP	0.01MF	50V
C2210	1-126-964-11	ELECT	10MF	20%		50V	C2269	1-163-031-11	CERAMIC CHIP	0.01MF	50V
C2211	1-165-319-11	CERAMIC CHIP	0.1MF			50V	C2270	1-163-031-11	CERAMIC CHIP	0.01MF	50V
C2212	1-163-031-11	CERAMIC CHIP	0.01MF			50V	C2271	1-163-031-11	CERAMIC CHIP	0.01MF	50V
C2214	1-165-319-11	CERAMIC CHIP	0.1MF			50V	C2272	1-104-664-11	ELECT	47MF	20% 16V
C2215	1-163-231-11	CERAMIC CHIP	15PF	5%		50V	C2273	1-163-031-11	CERAMIC CHIP	0.01MF	50V
C2216	1-165-319-11	CERAMIC CHIP	0.1MF			50V	C2274	1-163-031-11	CERAMIC CHIP	0.01MF	50V
C2217	1-163-231-11	CERAMIC CHIP	15PF	5%		50V	C2275	1-104-664-11	ELECT	47MF	20% 16V
C2218	1-165-319-11	CERAMIC CHIP	0.1MF			50V	C2276	1-104-664-11	ELECT	47MF	20% 16V
C2219	1-165-319-11	CERAMIC CHIP	0.1MF			50V	C2277	1-163-031-11	CERAMIC CHIP	0.01MF	50V
C2222	1-165-319-11	CERAMIC CHIP	0.1MF			50V	C2278	1-104-664-11	ELECT	47MF	20% 16V
C2223	1-165-319-11	CERAMIC CHIP	0.1MF			50V	C2282	1-126-382-11	ELECT	100MF	20% 16V
C2224	1-165-319-11	CERAMIC CHIP	0.1MF			50V	C2283	1-163-038-91	CERAMIC CHIP	0.1MF	25V
C2225	1-165-319-11	CERAMIC CHIP	0.1MF			50V	C2284	1-104-664-11	ELECT	47MF	20% 16V
C2226	1-165-319-11	CERAMIC CHIP	0.1MF			50V	C2285	1-163-019-00	CERAMIC CHIP	0.0068MF	10% 50V
C2228	1-165-319-11	CERAMIC CHIP	0.1MF			50V	C2286	1-164-161-11	CERAMIC CHIP	0.0022MF	10% 50V
C2229	1-104-664-11	ELECT	47MF	20%		16V	C2287	1-163-251-11	CERAMIC CHIP	100PF	5% 50V
C2230	1-126-935-11	ELECT	470MF	20%		6.3V	C2288	1-163-019-00	CERAMIC CHIP	0.0068MF	10% 50V
C2231	1-163-245-11	CERAMIC CHIP	56PF	5%		50V	C2289	1-164-161-11	CERAMIC CHIP	0.0022MF	10% 50V
C2233	1-165-319-11	CERAMIC CHIP	0.1MF			50V	C2290	1-163-251-11	CERAMIC CHIP	100PF	5% 50V
C2234	1-126-964-11	ELECT	10MF	20%		50V	C2291	1-163-235-11	CERAMIC CHIP	22PF	5% 50V
C2236	1-126-967-11	ELECT	47MF	20%		50V	C2401	1-126-204-11	ELECT	47MF	20% 16V
C2237	1-126-964-11	ELECT	10MF	20%		50V	C2403	1-163-038-91	CERAMIC CHIP	0.1MF	25V
C2238	1-126-961-11	ELECT	2.2MF	20%		50V	C2410	1-163-237-11	CERAMIC CHIP	27PF	5% 50V
C2239	1-165-319-11	CERAMIC CHIP	0.1MF			50V	C2413	1-163-231-11	CERAMIC CHIP	15PF	5% 50V
C2240	1-163-031-11	CERAMIC CHIP	0.01MF			50V	C2414	1-107-823-11	CERAMIC CHIP	0.47MF	10% 16V
C2241	1-163-031-11	CERAMIC CHIP	0.01MF			50V	C2417	1-163-010-11	CERAMIC CHIP	0.0012MF	10% 50V
C2242	1-165-319-11	CERAMIC CHIP	0.1MF			50V	C2418	1-163-017-00	CERAMIC CHIP	0.0047MF	10% 50V
C2244	1-163-133-00	CERAMIC CHIP	470PF	5%		50V	C2420	1-163-038-91	CERAMIC CHIP	0.1MF	25V





<u>REF.NO.</u>	<u>PART NO.</u>	<u>DESCRIPTION</u>	<u>REMARK</u>			<u>REF.NO.</u>	<u>PART NO.</u>	<u>DESCRIPTION</u>	<u>REMARK</u>		
C2421	1-163-037-11	CERAMIC CHIP	0.022MF	10%	50V	C2492	1-163-038-91	CERAMIC CHIP	0.1MF		25V
C2425	1-163-251-11	CERAMIC CHIP	100PF	5%	50V	C2493	1-126-204-11	ELECT	47MF	20%	16V
C2430	1-126-204-11	ELECT	47MF	20%	16V	C2494	1-164-004-11	CERAMIC CHIP	0.1MF	10%	25V
C2431	1-163-037-11	CERAMIC CHIP	0.022MF	10%	50V	C2495	1-164-004-11	CERAMIC CHIP	0.1MF	10%	25V
C2432	1-163-227-11	CERAMIC CHIP	10PF	0.5PF	50V	C2496	1-164-004-11	CERAMIC CHIP	0.1MF	10%	25V
C2435	1-163-038-91	CERAMIC CHIP	0.1MF		25V	C2497	1-115-566-11	CERAMIC CHIP	4.7MF	10%	10V
C2436	1-163-251-11	CERAMIC CHIP	100PF	5%	50V	C2498	1-115-566-11	CERAMIC CHIP	4.7MF	10%	10V
C2441	1-163-251-11	CERAMIC CHIP	100PF	5%	50V	C2499	1-164-004-11	CERAMIC CHIP	0.1MF	10%	25V
C2442	1-163-251-11	CERAMIC CHIP	100PF	5%	50V	C2500	1-164-004-11	CERAMIC CHIP	0.1MF	10%	25V
C2444	1-164-346-11	CERAMIC CHIP	1MF		16V	C2501	1-164-004-11	CERAMIC CHIP	0.1MF	10%	25V
C2445	1-163-017-00	CERAMIC CHIP	0.0047MF	10%	50V	C2502	1-164-004-11	CERAMIC CHIP	0.1MF	10%	25V
C2446	1-163-227-11	CERAMIC CHIP	10PF	0.5PF	50V	C2503	1-164-004-11	CERAMIC CHIP	0.1MF	10%	25V
C2447	1-163-227-11	CERAMIC CHIP	10PF	0.5PF	50V	C2504	1-164-004-11	CERAMIC CHIP	0.1MF	10%	25V
C2449	1-164-346-11	CERAMIC CHIP	1MF		16V	C2505	1-164-004-11	CERAMIC CHIP	0.1MF	10%	25V
C2450	1-104-664-11	ELECT	47MF	20%	25V	C2506	1-164-004-11	CERAMIC CHIP	0.1MF	10%	25V
C2451	1-104-666-11	ELECT	220MF	20%	25V	C2507	1-115-566-11	CERAMIC CHIP	4.7MF	10%	10V
C2454	1-163-017-00	CERAMIC CHIP	0.0047MF	10%	50V	C2508	1-115-566-11	CERAMIC CHIP	4.7MF	10%	10V
C2456	1-164-004-11	CERAMIC CHIP	0.1MF	10%	25V	C2509	1-164-004-11	CERAMIC CHIP	0.1MF	10%	25V
C2461	1-163-021-91	CERAMIC CHIP	0.01MF	10%	50V	C2510	1-163-038-91	CERAMIC CHIP	0.1MF		25V
C2462	1-126-603-11	ELECT	4.7MF	20%	35V	C2511	1-164-004-11	CERAMIC CHIP	0.1MF	10%	25V
C2463	1-126-964-11	ELECT	10MF	20%	50V	C2512	1-164-004-11	CERAMIC CHIP	0.1MF	10%	25V
C2464	1-126-959-11	ELECT	0.47MF	20%	50V	C2513	1-164-004-11	CERAMIC CHIP	0.1MF	10%	25V
C2465	1-163-021-91	CERAMIC CHIP	0.01MF	10%	50V	C2514	1-164-004-11	CERAMIC CHIP	0.1MF	10%	25V
C2466	1-126-396-11	ELECT	47MF	20%	16V	C2515	1-163-038-91	CERAMIC CHIP	0.1MF		25V
C2467	1-126-398-11	ELECT	4.7MF	20%	35V	C2516	1-124-779-00	ELECT	10MF	20%	16V
C2468	1-126-959-11	ELECT	0.47MF	20%	50V	C2517	1-126-394-11	ELECT	10MF	20%	16V
C2469	1-163-038-91	CERAMIC CHIP	0.1MF		25V	C2518	1-104-664-11	ELECT	47MF	20%	25V
C2470	1-164-004-11	CERAMIC CHIP	0.1MF	10%	25V	C2519	1-124-779-00	ELECT	10MF	20%	16V
C2471	1-126-396-11	ELECT	47MF	20%	16V	C2520	1-124-779-00	ELECT	10MF	20%	16V
C2473	1-163-133-00	CERAMIC CHIP	470PF	5%	50V	C2521	1-163-038-91	CERAMIC CHIP	0.1MF		25V
C2474	1-163-038-91	CERAMIC CHIP	0.1MF		25V	C2522	1-104-664-11	ELECT	47MF	20%	16V
C2475	1-107-823-11	CERAMIC CHIP	0.47MF	10%	16V	C2523	1-163-038-91	CERAMIC CHIP	0.1MF		25V
C2476	1-126-401-11	ELECT	1MF	20%	50V	C2524	1-163-038-91	CERAMIC CHIP	0.1MF		25V
C2477	1-163-133-00	CERAMIC CHIP	470PF	5%	50V	C2525	1-126-204-11	ELECT	47MF	20%	16V
C2478	1-163-021-91	CERAMIC CHIP	0.01MF	10%	50V	C2526	1-163-038-91	CERAMIC CHIP	0.1MF		25V
C2479	1-107-823-11	CERAMIC CHIP	0.47MF	10%	16V	C2527	1-126-204-11	ELECT	47MF	20%	16V
C2480	1-126-401-11	ELECT	1MF	20%	50V	C2528	1-163-038-91	CERAMIC CHIP	0.1MF		25V
C2481	1-163-231-11	CERAMIC CHIP	15PF	5%	50V	C2530	1-124-778-00	ELECT	22MF	20%	6.3V
C2482	1-163-021-91	CERAMIC CHIP	0.01MF	10%	50V	C2531	1-124-778-00	ELECT	22MF	20%	6.3V
C2483	1-126-396-11	ELECT	47MF	20%	16V	C2532	1-124-778-00	ELECT	22MF	20%	6.3V
C2484	1-163-231-11	CERAMIC CHIP	15PF	5%	50V	C2533	1-126-964-11	ELECT	10MF	20%	50V
C2485	1-163-038-91	CERAMIC CHIP	0.1MF		25V	C2534	1-126-964-11	ELECT	10MF	20%	50V
C2486	1-163-038-91	CERAMIC CHIP	0.1MF		25V	C2535	1-163-227-11	CERAMIC CHIP	10PF	0.5PF	50V
C2487	1-126-396-11	ELECT	47MF	20%	16V	C2536	1-163-227-11	CERAMIC CHIP	10PF	0.5PF	50V
C2488	1-163-038-91	CERAMIC CHIP	0.1MF		25V	C2537	1-163-237-11	CERAMIC CHIP	27PF	5%	50V
C2489	1-163-038-91	CERAMIC CHIP	0.1MF		25V	C2538	1-163-231-11	CERAMIC CHIP	15PF	5%	50V
C2490	1-163-038-91	CERAMIC CHIP	0.1MF		25V	C2539	1-107-823-11	CERAMIC CHIP	0.47MF	10%	16V
C2491	1-104-664-11	ELECT	47MF	20%	16V	C2540	1-104-664-11	ELECT	47MF	20%	25V



<u>REF.NO.</u>	<u>PART NO.</u>	<u>DESCRIPTION</u>	<u>REMARK</u>			<u>REF.NO.</u>	<u>PART NO.</u>	<u>DESCRIPTION</u>	<u>REMARK</u>
C2541	1-104-664-11	ELECT	47MF	20%	25V	D2021	8-719-109-97	DIODE RD6.8ESB2	
C2542	1-163-010-11	CERAMIC CHIP	0.0012MF	10%	50V	D2022	8-719-109-97	DIODE RD6.8ESB2	
C2543	1-163-017-00	CERAMIC CHIP	0.0047MF	10%	50V	D2023	8-719-109-97	DIODE RD6.8ESB2	
C2544	1-163-038-91	CERAMIC CHIP	0.1MF		25V	D2024	8-719-109-97	DIODE RD6.8ESB2	
C2545	1-163-037-11	CERAMIC CHIP	0.022MF	10%	50V	D2025	8-719-109-97	DIODE RD6.8ESB2	
C2546	1-163-037-11	CERAMIC CHIP	0.022MF	10%	50V	D2027	8-719-404-49	DIODE MA111	
C2547	1-104-666-11	ELECT	220MF	20%	25V	D2401	8-719-109-72	DIODE RD3.9ESB2	
C2548	1-163-227-11	CERAMIC CHIP	10PF	0.5PF	50V	D2402	8-719-109-72	DIODE RD3.9ESB2	
C2549	1-163-227-11	CERAMIC CHIP	10PF	0.5PF	50V				
C2550	1-163-227-11	CERAMIC CHIP	10PF	0.5PF	50V				
C2551	1-163-227-11	CERAMIC CHIP	10PF	0.5PF	50V				
C2552	1-163-227-11	CERAMIC CHIP	10PF	0.5PF	50V				
C2553	1-126-964-11	ELECT	10MF	20%	50V				
C2554	1-126-964-11	ELECT	10MF	20%	50V				
C2555	1-126-964-11	ELECT	10MF	20%	50V				
C2556	1-124-779-00	ELECT	10MF	20%	16V				
<b><u>CONNECTOR</u></b>									
CN2001*	1-564-507-11	PLUG, CONNECTOR			4P				
CN2002*	1-564-513-11	PLUG, CONNECTOR			10P				
CN2003	1-695-915-11	TAB (CONTACT)							
CN2203*	1-573-960-11	CONNECTOR (FEMALE)			50P				
CN2204*	1-573-962-11	CONNECTOR (MALE)			50P				
CN2205*	1-573-962-11	CONNECTOR (MALE)			50P				
<b><u>DIODE</u></b>									
D2001	8-719-032-47	DIODE MTZJ-T-9110							
D2002	8-719-032-47	DIODE MTZJ-T-9110							
D2003	8-719-110-17	DIODE RD10ESB2							
D2004	8-719-110-17	DIODE RD10ESB2							
D2005	8-719-110-17	DIODE RD10ESB2							
D2006	8-719-110-17	DIODE RD10ESB2							
D2007	8-719-110-17	DIODE RD10ESB2							
D2008	8-719-110-17	DIODE RD10ESB2							
D2009	8-719-982-24	DIODE MTZJ-33A							
D2010	8-719-982-24	DIODE MTZJ-33A							
D2011	8-719-032-47	DIODE MTZJ-T-9110							
D2012	8-719-032-47	DIODE MTZJ-T-9110							
D2013	8-719-032-47	DIODE MTZJ-T-9110							
D2014	8-719-109-97	DIODE RD6.8ESB2							
D2015	8-719-109-97	DIODE RD6.8ESB2							
D2016	8-719-109-97	DIODE RD6.8ESB2							
D2017	8-719-109-97	DIODE RD6.8ESB2							
D2018	8-719-109-97	DIODE RD6.8ESB2							
D2019	8-719-109-97	DIODE RD6.8ESB2							
D2020	8-719-109-97	DIODE RD6.8ESB2							
<b><u>FERRITE BEAD</u></b>									
FB2001	1-412-911-11	FERRITE							
FB2002	1-412-911-11	FERRITE							
FB2003	1-412-911-11	FERRITE							
FB2201	1-412-911-11	FERRITE							
FB2202	1-412-911-11	FERRITE							
FB2203	1-412-911-11	FERRITE							
FB2204	1-412-911-11	FERRITE							
FB2205	1-412-911-11	FERRITE							
FB2206	1-412-911-11	FERRITE							
FB2207	1-412-911-11	FERRITE							
FB2208	1-412-911-11	FERRITE							
<b><u>FILTER</u></b>									
FL2001	1-473-983-11	FILTER BLOCK, COMB							
FL2201	1-239-847-11	FILTER, LOW PASS							
FL2202	1-233-512-21	FERRITE			37UH				
FL2203	1-239-847-11	FILTER, LOW PASS							
FL2204	1-233-512-21	FERRITE			37UH				
FL2205	1-233-512-21	FERRITE			37UH				
FL2206	1-239-847-11	FILTER, LOW PASS							
FL2401	1-233-505-21	FILTER, LOW PASS							
FL2402	1-233-504-21	FILTER, LOW PASS							
FL2403	1-233-504-21	FILTER, LOW PASS							
FL2404	1-233-505-21	FILTER, LOW PASS							
FL2405	1-233-504-21	FILTER, LOW PASS							
FL2406	1-233-504-21	FILTER, LOW PASS							
<b><u>IC</u></b>									
IC2001	8-759-701-59	IC NJM78M09FA							
IC2002	8-759-231-53	IC TA7805S							
IC2004	8-759-352-94	IC TDA7309D013TR							
IC2005	8-759-351-01	IC TEA6422DT							
IC2006	8-759-446-60	IC STV6408							



<u>REF.NO.</u>	<u>PART NO.</u>	<u>DESCRIPTION</u>	<u>REMARK</u>	<u>REF.NO.</u>	<u>PART NO.</u>	<u>DESCRIPTION</u>	<u>REMARK</u>
IC2011	8-759-231-58	IC TA7812S		L2415	1-414-754-11	INDUCTOR CHIP 10UH	
IC2012	8-759-069-28	IC PQ05RF11		L2416	1-414-754-11	INDUCTOR CHIP 10UH	
IC2201	8-759-473-05	IC UPD424210LE-60-E2		L2417	1-414-754-11	INDUCTOR CHIP 10UH	
IC2202	8-759-536-12	IC UPD64081BGF-3BA		L2418	1-414-754-11	INDUCTOR CHIP 10UH	
IC2204	8-759-161-24	IC UPC659AGS-E2		L2419	1-414-754-11	INDUCTOR CHIP 10UH	
IC2205	8-759-269-92	IC SN74HCU04ANS-E20		L2420	1-414-754-11	INDUCTOR CHIP 10UH	
IC2206	8-759-431-14	IC PQ3TZ53U		L2421	1-414-754-11	INDUCTOR CHIP 10UH	
IC2403	8-752-086-80	IC CXA2019AQ-T4		L2422	1-414-754-11	INDUCTOR CHIP 10UH	
IC2404	8-752-086-80	IC CXA2019AQ-T4		L2423	1-410-470-11	INDUCTOR CHIP 10UH	
IC2405	8-752-082-49	IC CXA2119M		L2424	1-410-470-11	INDUCTOR CHIP 10UH	
IC2406	8-752-082-49	IC CXA2119M		L2425	1-414-754-11	INDUCTOR CHIP 10UH	
IC2407	8-759-011-65	IC MC74HC4053F		L2426	1-414-754-11	INDUCTOR CHIP 10UH	
IC2408	8-759-011-65	IC MC74HC4053F					
IC2409	8-752-898-61	IC CXP85840A-014Q					
IC2410	8-752-898-61	IC CXP85840A-014Q					
	<u>COIL</u>					<u>TRANSISTOR</u>	
L2003	1-410-482-31	INDUCTOR CHIP 100UH		Q2003	8-729-422-27	TRANSISTOR 2SD601A-Q	
L2004	1-410-470-11	INDUCTOR CHIP 10UH		Q2004	8-729-216-22	TRANSISTOR 2SA1162-G	
L2006	1-410-482-31	INDUCTOR CHIP 100UH		Q2005	8-729-422-27	TRANSISTOR 2SD601A-Q	
L2007	1-408-607-31	INDUCTOR CHIP 22UH		Q2006	8-729-422-27	TRANSISTOR 2SD601A-Q	
L2009	1-410-482-31	INDUCTOR CHIP 100UH		Q2007	8-729-216-22	TRANSISTOR 2SA1162-G	
L2010	1-408-607-31	INDUCTOR CHIP 22UH		Q2008	8-729-422-27	TRANSISTOR 2SD601A-Q	
L2011	1-410-470-11	INDUCTOR CHIP 10UH		Q2009	8-729-422-27	TRANSISTOR 2SD601A-Q	
L2013	1-410-991-11	INDUCTOR CHIP 0.68UH		Q2010	8-729-422-27	TRANSISTOR 2SD601A-Q	
L2014	1-410-991-11	INDUCTOR CHIP 0.68UH		Q2011	8-729-422-27	TRANSISTOR 2SD601A-Q	
L2015	1-410-473-11	INDUCTOR CHIP 18UH		Q2012	8-729-422-27	TRANSISTOR 2SD601A-Q	
L2016	1-408-616-31	INDUCTOR CHIP 120UH		Q2013	8-729-216-22	TRANSISTOR 2SA1162-G	
L2201	1-410-200-31	INDUCTOR CHIP 4.7UH		Q2014	8-729-216-22	TRANSISTOR 2SA1162-G	
L2202	1-410-204-31	INDUCTOR CHIP 10UH		Q2015	8-729-216-22	TRANSISTOR 2SA1162-G	
L2203	1-410-473-11	INDUCTOR CHIP 18UH		Q2016	8-729-216-22	TRANSISTOR 2SA1162-G	
L2204	1-410-204-31	INDUCTOR CHIP 10UH		Q2018	8-729-216-22	TRANSISTOR 2SA1162-G	
L2205	1-410-204-31	INDUCTOR CHIP 10UH		Q2019	8-729-216-22	TRANSISTOR 2SA1162-G	
L2206	1-410-473-11	INDUCTOR CHIP 18UH		Q2020	8-729-216-22	TRANSISTOR 2SA1162-G	
L2207	1-410-473-11	INDUCTOR CHIP 18UH		Q2021	8-729-422-27	TRANSISTOR 2SD601A-Q	
L2208	1-410-473-11	INDUCTOR CHIP 18UH		Q2022	8-729-422-27	TRANSISTOR 2SD601A-Q	
L2209	1-410-473-11	INDUCTOR CHIP 18UH		Q2023	8-729-422-27	TRANSISTOR 2SD601A-Q	
L2401	1-414-754-11	INDUCTOR CHIP 10UH		Q2024	8-729-422-27	TRANSISTOR 2SD601A-Q	
L2403	1-414-754-11	INDUCTOR CHIP 10UH		Q2025	8-729-422-27	TRANSISTOR 2SD601A-Q	
L2404	1-414-754-11	INDUCTOR CHIP 10UH		Q2201	8-729-216-22	TRANSISTOR 2SA1162-G	
L2409	1-414-754-11	INDUCTOR CHIP 10UH		Q2202	8-729-216-22	TRANSISTOR 2SA1162-G	
L2410	1-414-754-11	INDUCTOR CHIP 10UH		Q2203	8-729-216-22	TRANSISTOR 2SA1162-G	
L2411	1-414-754-11	INDUCTOR CHIP 10UH		Q2204	8-729-422-27	TRANSISTOR 2SD601A-Q	
L2412	1-414-754-11	INDUCTOR CHIP 10UH		Q2205	8-729-422-27	TRANSISTOR 2SD601A-Q	
L2413	1-414-754-11	INDUCTOR CHIP 10UH		Q2206	8-729-422-27	TRANSISTOR 2SD601A-Q	
L2414	1-414-754-11	INDUCTOR CHIP 10UH		Q2207	8-729-422-27	TRANSISTOR 2SD601A-Q	
				Q2208	8-729-216-22	TRANSISTOR 2SA1162-G	
				Q2209	8-729-422-27	TRANSISTOR 2SD601A-Q	
				Q2210	8-729-422-27	TRANSISTOR 2SD601A-Q	
				Q2212	8-729-216-22	TRANSISTOR 2SA1162-G	





<u>REF.NO.</u>	<u>PART NO.</u>	<u>DESCRIPTION</u>		<u>REMARK</u>		<u>REF.NO.</u>	<u>PART NO.</u>	<u>DESCRIPTION</u>		<u>REMARK</u>
R2029	1-216-022-00	RES, CHIP	75	5%	1/10W	R2092	1-216-097-91	RES, CHIP	100K	5% 1/10W
R2030	1-216-022-00	RES, CHIP	75	5%	1/10W	R2093	1-216-097-91	RES, CHIP	100K	5% 1/10W
R2031	1-216-022-00	RES, CHIP	75	5%	1/10W	R2094	1-216-097-91	RES, CHIP	100K	5% 1/10W
R2036	1-216-025-91	RES, CHIP	100	5%	1/10W	R2095	1-216-037-00	RES, CHIP	330	5% 1/10W
R2037	1-216-025-91	RES, CHIP	100	5%	1/10W	R2096	1-216-081-00	RES, CHIP	22K	5% 1/10W
R2038	1-216-049-91	RES, CHIP	1K	5%	1/10W	R2097	1-216-041-00	RES, CHIP	470	5% 1/10W
R2039	1-216-049-91	RES, CHIP	1K	5%	1/10W	R2098	1-216-081-00	RES, CHIP	22K	5% 1/10W
R2040	1-216-049-91	RES, CHIP	1K	5%	1/10W	R2099	1-208-774-11	RES, CHIP	470	0.50% 1/10W
R2041	1-216-049-91	RES, CHIP	1K	5%	1/10W	R2100	1-216-081-00	RES, CHIP	22K	5% 1/10W
R2042	1-216-049-91	RES, CHIP	1K	5%	1/10W	R2101	1-216-081-00	RES, CHIP	22K	5% 1/10W
R2043	1-216-049-91	RES, CHIP	1K	5%	1/10W	R2102	1-216-073-00	RES, CHIP	10K	5% 1/10W
R2044	1-216-049-91	RES, CHIP	1K	5%	1/10W	R2103	1-216-037-00	RES, CHIP	330	5% 1/10W
R2045	1-216-049-91	RES, CHIP	1K	5%	1/10W	R2104	1-216-025-91	RES, CHIP	100	5% 1/10W
R2046	1-216-025-91	RES, CHIP	100	5%	1/10W	R2105	1-216-081-00	RES, CHIP	22K	5% 1/10W
R2050	1-216-025-91	RES, CHIP	100	5%	1/10W	R2106	1-216-025-91	RES, CHIP	100	5% 1/10W
R2054	1-216-295-91	SHORT				R2107	1-216-025-91	RES, CHIP	100	5% 1/10W
R2055	1-216-295-91	SHORT				R2109	1-216-025-91	RES, CHIP	100	5% 1/10W
R2056	1-216-295-91	SHORT				R2110	1-208-774-11	RES, CHIP	470	0.50% 1/10W
R2057	1-216-025-91	RES, CHIP	100	5%	1/10W	R2113	1-216-081-00	RES, CHIP	22K	5% 1/10W
R2058	1-216-025-91	RES, CHIP	100	5%	1/10W	R2114	1-216-065-91	RES, CHIP	4.7K	5% 1/10W
R2059	1-216-025-91	RES, CHIP	100	5%	1/10W	R2116	1-208-774-11	RES, CHIP	470	0.50% 1/10W
R2060	1-216-025-91	RES, CHIP	100	5%	1/10W	R2117	1-216-081-00	RES, CHIP	22K	5% 1/10W
R2061	1-216-025-91	RES, CHIP	100	5%	1/10W	R2118	1-216-025-91	RES, CHIP	100	5% 1/10W
R2062	1-216-065-91	RES, CHIP	4.7K	5%	1/10W	R2119	1-216-025-91	RES, CHIP	100	5% 1/10W
R2063	1-216-295-91	SHORT				R2120	1-216-025-91	RES, CHIP	100	5% 1/10W
R2064	1-216-295-91	SHORT				R2121	1-216-025-91	RES, CHIP	100	5% 1/10W
R2065	1-216-025-91	RES, CHIP	100	5%	1/10W	R2128	1-216-025-91	RES, CHIP	100	5% 1/10W
R2066	1-216-065-91	RES, CHIP	4.7K	5%	1/10W	R2129	1-216-025-91	RES, CHIP	100	5% 1/10W
R2067	1-216-025-91	RES, CHIP	100	5%	1/10W	R2130	1-216-049-91	RES, CHIP	1K	5% 1/10W
R2068	1-216-025-91	RES, CHIP	100	5%	1/10W	R2131	1-216-025-91	RES, CHIP	100	5% 1/10W
R2069	1-216-065-91	RES, CHIP	4.7K	5%	1/10W	R2132	1-216-025-91	RES, CHIP	100	5% 1/10W
R2070	1-216-025-91	RES, CHIP	100	5%	1/10W	R2137	1-216-077-00	RES, CHIP	15K	5% 1/10W
R2071	1-216-025-91	RES, CHIP	100	5%	1/10W	R2138	1-216-025-91	RES, CHIP	100	5% 1/10W
R2072	1-216-025-91	RES, CHIP	100	5%	1/10W	R2139	1-216-025-91	RES, CHIP	100	5% 1/10W
R2073	1-216-085-00	RES, CHIP	33K	5%	1/10W	R2140	1-216-049-91	RES, CHIP	1K	5% 1/10W
R2075	1-216-081-00	RES, CHIP	22K	5%	1/10W	R2141	1-216-049-91	RES, CHIP	1K	5% 1/10W
R2076	1-216-063-91	RES, CHIP	3.9K	5%	1/10W	R2142	1-216-049-91	RES, CHIP	1K	5% 1/10W
R2078	1-216-025-91	RES, CHIP	100	5%	1/10W	R2143	1-216-025-91	RES, CHIP	100	5% 1/10W
R2079	1-216-073-00	RES, CHIP	10K	5%	1/10W	R2144	1-216-025-91	RES, CHIP	100	5% 1/10W
R2080	1-216-025-91	RES, CHIP	100	5%	1/10W	R2145	1-216-049-91	RES, CHIP	1K	5% 1/10W
R2081	1-216-025-91	RES, CHIP	100	5%	1/10W	R2146	1-216-295-91	SHORT		
R2083	1-216-025-91	RES, CHIP	100	5%	1/10W	R2147	1-216-295-91	SHORT		
R2084	1-216-049-91	RES, CHIP	1K	5%	1/10W	R2148	1-216-057-00	RES, CHIP	2.2K	5% 1/10W
R2085	1-216-049-91	RES, CHIP	1K	5%	1/10W	R2149	1-216-057-00	RES, CHIP	2.2K	5% 1/10W
R2086	1-216-085-00	RES, CHIP	33K	5%	1/10W	R2152	1-216-049-91	RES, CHIP	1K	5% 1/10W
R2087	1-216-081-00	RES, CHIP	22K	5%	1/10W	R2153	1-216-073-00	RES, CHIP	10K	5% 1/10W
R2088	1-216-049-91	RES, CHIP	1K	5%	1/10W	R2154	1-216-073-00	RES, CHIP	10K	5% 1/10W
R2090	1-216-081-00	RES, CHIP	22K	5%	1/10W	R2155	1-216-355-11	METAL OXIDE	3.3	5% 1W F
R2091	1-216-063-91	RES, CHIP	3.9K	5%	1/10W	R2156	1-216-049-91	RES, CHIP	1K	5% 1/10W



<u>REF.NO.</u>	<u>PART NO.</u>	<u>DESCRIPTION</u>		<u>REMARK</u>		<u>REF.NO.</u>	<u>PART NO.</u>	<u>DESCRIPTION</u>		<u>REMARK</u>
R2157	1-216-049-91	RES, CHIP	1K	5%	1/10W	R2255	1-216-105-91	RES, CHIP	220K	5% 1/10W
R2158	1-216-025-91	RES, CHIP	100	5%	1/10W	R2258	1-216-049-91	RES, CHIP	1K	5% 1/10W
R2159	1-216-025-91	RES, CHIP	100	5%	1/10W	R2259	1-216-033-00	RES, CHIP	220	5% 1/10W
R2160	1-216-049-91	RES, CHIP	1K	5%	1/10W	R2261	1-216-025-91	RES, CHIP	100	5% 1/10W
R2161	1-216-057-00	RES, CHIP	2.2K	5%	1/10W	R2262	1-208-776-11	RES, CHIP	560	0.50% 1/10W
R2162	1-216-071-00	RES, CHIP	8.2K	5%	1/10W	R2263	1-208-777-11	RES, CHIP	620	0.50% 1/10W
R2163	1-216-057-00	RES, CHIP	2.2K	5%	1/10W	R2265	1-216-025-91	RES, CHIP	100	5% 1/10W
R2164	1-216-071-00	RES, CHIP	8.2K	5%	1/10W	R2266	1-216-025-91	RES, CHIP	100	5% 1/10W
R2165	1-216-071-00	RES, CHIP	8.2K	5%	1/10W	R2267	1-216-025-91	RES, CHIP	100	5% 1/10W
R2201	1-216-295-91	SHORT				R2268	1-216-025-91	RES, CHIP	100	5% 1/10W
R2202	1-216-053-00	RES, CHIP	1.5K	5%	1/10W	R2269	1-216-025-91	RES, CHIP	100	5% 1/10W
R2204	1-216-041-00	RES, CHIP	470	5%	1/10W	R2270	1-216-025-91	RES, CHIP	100	5% 1/10W
R2207	1-216-295-91	SHORT				R2271	1-216-025-91	RES, CHIP	100	5% 1/10W
R2208	1-216-295-91	SHORT				R2272	1-216-025-91	RES, CHIP	100	5% 1/10W
R2209	1-216-295-91	SHORT				R2274	1-216-067-00	RES, CHIP	5.6K	5% 1/10W
R2210	1-216-295-91	SHORT				R2278	1-216-043-91	RES, CHIP	560	5% 1/10W
R2211	1-216-295-91	SHORT				R2279	1-216-049-91	RES, CHIP	1K	5% 1/10W
R2213	1-216-295-91	SHORT				R2280	1-216-025-91	RES, CHIP	100	5% 1/10W
R2214	1-216-049-91	RES, CHIP	1K	5%	1/10W	R2282	1-216-049-91	RES, CHIP	1K	5% 1/10W
R2215	1-216-049-91	RES, CHIP	1K	5%	1/10W	R2283	1-216-043-91	RES, CHIP	560	5% 1/10W
R2216	1-216-025-91	RES, CHIP	100	5%	1/10W	R2284	1-216-067-00	RES, CHIP	5.6K	5% 1/10W
R2217	1-216-025-91	RES, CHIP	100	5%	1/10W	R2285	1-216-057-00	RES, CHIP	2.2K	5% 1/10W
R2218	1-216-055-00	RES, CHIP	1.8K	5%	1/10W	R2286	1-216-040-00	RES, CHIP	430	5% 1/10W
R2219	1-216-055-00	RES, CHIP	1.8K	5%	1/10W	R2287	1-216-057-00	RES, CHIP	2.2K	5% 1/10W
R2220	1-216-017-91	RES, CHIP	47	5%	1/10W	R2288	1-216-047-91	RES, CHIP	820	5% 1/10W
R2221	1-216-295-91	SHORT				R2289	1-216-085-00	RES, CHIP	33K	5% 1/10W
R2224	1-216-049-91	RES, CHIP	1K	5%	1/10W	R2290	1-216-075-00	RES, CHIP	12K	5% 1/10W
R2225	1-216-043-91	RES, CHIP	560	5%	1/10W	R2291	1-216-049-91	RES, CHIP	1K	5% 1/10W
R2226	1-216-295-91	SHORT				R2292	1-216-017-91	RES, CHIP	47	5% 1/10W
R2227	1-216-295-91	SHORT				R2293	1-216-081-00	RES, CHIP	22K	5% 1/10W
R2229	1-216-067-00	RES, CHIP	5.6K	5%	1/10W	R2294	1-216-069-00	RES, CHIP	6.8K	5% 1/10W
R2230	1-216-057-00	RES, CHIP	2.2K	5%	1/10W	R2295	1-216-027-00	RES, CHIP	120	5% 1/10W
R2231	1-208-777-11	RES, CHIP	620	0.50%	1/10W	R2296	1-216-049-91	RES, CHIP	1K	5% 1/10W
R2232	1-208-775-11	RES, CHIP	510	0.50%	1/10W	R2297	1-216-027-00	RES, CHIP	120	5% 1/10W
R2233	1-216-021-00	RES, CHIP	68	5%	1/10W	R2298	1-216-049-91	RES, CHIP	1K	5% 1/10W
R2238	1-216-047-91	RES, CHIP	820	5%	1/10W	R2299	1-216-027-00	RES, CHIP	120	5% 1/10W
R2239	1-216-065-91	RES, CHIP	4.7K	5%	1/10W	R2300	1-216-049-91	RES, CHIP	1K	5% 1/10W
R2242	1-216-057-00	RES, CHIP	2.2K	5%	1/10W	R2302	1-216-295-91	SHORT		
R2243	1-216-075-00	RES, CHIP	12K	5%	1/10W	R2303	1-216-099-00	RES, CHIP	120K	5% 1/10W
R2244	1-216-295-91	SHORT				R2304	1-216-109-00	RES, CHIP	330K	5% 1/10W
R2245	1-216-041-00	RES, CHIP	470	5%	1/10W	R2305	1-216-025-91	RES, CHIP	100	5% 1/10W
R2246	1-216-085-00	RES, CHIP	33K	5%	1/10W	R2306	1-216-073-00	RES, CHIP	10K	5% 1/10W
R2248	1-216-049-91	RES, CHIP	1K	5%	1/10W	R2307	1-216-109-00	RES, CHIP	330K	5% 1/10W
R2249	1-216-017-91	RES, CHIP	47	5%	1/10W	R2308	1-216-099-00	RES, CHIP	120K	5% 1/10W
R2250	1-208-822-11	RES, CHIP	47K	0.50%	1/10W	R2309	1-216-025-91	RES, CHIP	100	5% 1/10W
R2251	1-208-810-11	RES, CHIP	15K	0.50%	1/10W	R2310	1-216-073-00	RES, CHIP	10K	5% 1/10W
R2252	1-216-049-91	RES, CHIP	1K	5%	1/10W	R2313	1-216-037-00	RES, CHIP	330	5% 1/10W
R2253	1-216-057-00	RES, CHIP	2.2K	5%	1/10W	R2314	1-216-037-00	RES, CHIP	330	5% 1/10W
R2254	1-216-071-00	RES, CHIP	8.2K	5%	1/10W	R2315	1-216-081-00	RES, CHIP	22K	5% 1/10W



<u>REF.NO.</u>	<u>PART NO.</u>	<u>DESCRIPTION</u>		<u>REMARK</u>		<u>REF.NO.</u>	<u>PART NO.</u>	<u>DESCRIPTION</u>		<u>REMARK</u>	
R2316	1-216-081-00	RES, CHIP	22K	5%	1/10W	R2472	1-216-031-00	RES, CHIP	180	5%	1/10W
R2317	1-216-295-91	SHORT				R2473	1-216-055-00	RES, CHIP	1.8K	5%	1/10W
R2318	1-216-295-91	SHORT				R2474	1-216-043-91	RES, CHIP	560	5%	1/10W
R2319	1-216-295-91	SHORT				R2475	1-216-065-91	RES, CHIP	4.7K	5%	1/10W
R2320	1-216-295-91	SHORT				R2476	1-216-057-00	RES, CHIP	2.2K	5%	1/10W
R2321	1-216-027-00	RES, CHIP	120	5%	1/10W	R2478	1-216-057-00	RES, CHIP	2.2K	5%	1/10W
R2322	1-216-027-00	RES, CHIP	120	5%	1/10W	R2479	1-216-031-00	RES, CHIP	180	5%	1/10W
R2323	1-216-027-00	RES, CHIP	120	5%	1/10W	R2480	1-216-063-91	RES, CHIP	3.9K	5%	1/10W
R2324	1-216-295-91	SHORT				R2481	1-216-063-91	RES, CHIP	3.9K	5%	1/10W
R2325	1-215-859-00	METAL OXIDE	22	5%	1W F	R2482	1-216-063-91	RES, CHIP	3.9K	5%	1/10W
R2409	1-216-059-00	RES, CHIP	2.7K	5%	1/10W	R2483	1-216-037-00	RES, CHIP	330	5%	1/10W
R2410	1-216-049-91	RES, CHIP	1K	5%	1/10W	R2487	1-216-037-00	RES, CHIP	330	5%	1/10W
R2411	1-216-049-91	RES, CHIP	1K	5%	1/10W	R2488	1-216-037-00	RES, CHIP	330	5%	1/10W
R2415	1-216-657-11	METAL CHIP	1.8K	0.50%	1/10W	R2489	1-216-295-91	SHORT			
R2416	1-216-657-11	METAL CHIP	1.8K	0.50%	1/10W	R2490	1-216-025-91	RES, CHIP	100	5%	1/10W
R2420	1-216-057-00	RES, CHIP	2.2K	5%	1/10W	R2491	1-216-073-00	RES, CHIP	10K	5%	1/10W
R2421	1-216-049-91	RES, CHIP	1K	5%	1/10W	R2492	1-216-111-00	RES, CHIP	390K	5%	1/10W
R2424	1-216-049-91	RES, CHIP	1K	5%	1/10W	R2493	1-216-025-91	RES, CHIP	100	5%	1/10W
R2429	1-216-063-91	RES, CHIP	3.9K	5%	1/10W	R2494	1-216-025-91	RES, CHIP	100	5%	1/10W
R2430	1-216-295-91	SHORT				R2495	1-216-295-91	SHORT			
R2433	1-216-057-00	RES, CHIP	2.2K	5%	1/10W	R2496	1-216-025-91	RES, CHIP	100	5%	1/10W
R2435	1-216-049-91	RES, CHIP	1K	5%	1/10W	R2497	1-216-025-91	RES, CHIP	100	5%	1/10W
R2436	1-216-049-91	RES, CHIP	1K	5%	1/10W	R2498	1-216-073-00	RES, CHIP	10K	5%	1/10W
R2437	1-216-073-00	RES, CHIP	10K	5%	1/10W	R2499	1-216-295-91	SHORT			
R2438	1-216-073-00	RES, CHIP	10K	5%	1/10W	R2500	1-216-025-91	RES, CHIP	100	5%	1/10W
R2441	1-216-061-00	RES, CHIP	3.3K	5%	1/10W	R2501	1-216-025-91	RES, CHIP	100	5%	1/10W
R2442	1-216-061-00	RES, CHIP	3.3K	5%	1/10W	R2502	1-216-111-00	RES, CHIP	390K	5%	1/10W
R2444	1-216-057-00	RES, CHIP	2.2K	5%	1/10W	R2503	1-216-041-00	RES, CHIP	470	5%	1/10W
R2446	1-216-073-00	RES, CHIP	10K	5%	1/10W	R2504	1-216-077-00	RES, CHIP	15K	5%	1/10W
R2447	1-216-295-91	SHORT				R2505	1-216-071-00	RES, CHIP	8.2K	5%	1/10W
R2450	1-216-295-91	SHORT				R2506	1-216-041-00	RES, CHIP	470	5%	1/10W
R2451	1-216-295-91	SHORT				R2507	1-216-073-00	RES, CHIP	10K	5%	1/10W
R2452	1-216-057-00	RES, CHIP	2.2K	5%	1/10W	R2508	1-216-077-00	RES, CHIP	15K	5%	1/10W
R2454	1-216-025-91	RES, CHIP	100	5%	1/10W	R2509	1-216-071-00	RES, CHIP	8.2K	5%	1/10W
R2455	1-216-025-91	RES, CHIP	100	5%	1/10W	R2510	1-216-053-00	RES, CHIP	1.5K	5%	1/10W
R2456	1-216-025-91	RES, CHIP	100	5%	1/10W	R2511	1-216-073-00	RES, CHIP	10K	5%	1/10W
R2457	1-216-025-91	RES, CHIP	100	5%	1/10W	R2512	1-216-053-00	RES, CHIP	1.5K	5%	1/10W
R2458	1-216-057-00	RES, CHIP	2.2K	5%	1/10W	R2513	1-216-025-91	RES, CHIP	100	5%	1/10W
R2460	1-216-121-91	RES, CHIP	1M	5%	1/10W	R2515	1-216-025-91	RES, CHIP	100	5%	1/10W
R2461	1-216-033-00	RES, CHIP	220	5%	1/10W	R2516	1-216-295-91	SHORT			
R2462	1-216-061-00	RES, CHIP	3.3K	5%	1/10W	R2518	1-216-295-91	SHORT			
R2463	1-216-033-00	RES, CHIP	220	5%	1/10W	R2519	1-216-061-00	RES, CHIP	3.3K	5%	1/10W
R2464	1-216-033-00	RES, CHIP	220	5%	1/10W	R2520	1-216-025-91	RES, CHIP	100	5%	1/10W
R2466	1-216-061-00	RES, CHIP	3.3K	5%	1/10W	R2521	1-216-295-91	SHORT			
R2467	1-216-033-00	RES, CHIP	220	5%	1/10W	R2522	1-216-061-00	RES, CHIP	3.3K	5%	1/10W
R2468	1-216-033-00	RES, CHIP	220	5%	1/10W	R2524	1-216-295-91	SHORT			
R2469	1-216-057-00	RES, CHIP	2.2K	5%	1/10W	R2525	1-216-061-00	RES, CHIP	3.3K	5%	1/10W
R2470	1-216-655-11	METAL CHIP	1.5K	0.50%	1/10W	R2526	1-216-025-91	RES, CHIP	100	5%	1/10W
R2471	1-216-655-11	METAL CHIP	1.5K	0.50%	1/10W	R2527	1-216-295-91	SHORT			



<u>REF.NO.</u>	<u>PART NO.</u>	<u>DESCRIPTION</u>		<u>REMARK</u>		<u>REF.NO.</u>	<u>PART NO.</u>	<u>DESCRIPTION</u>		<u>REMARK</u>	
R2528	1-216-061-00	RES, CHIP	3.3K	5%	1/10W	R2578	1-216-025-91	RES, CHIP	100	5%	1/10W
R2530	1-216-295-91	SHORT				R2579	1-216-025-91	RES, CHIP	100	5%	1/10W
R2531	1-216-061-00	RES, CHIP	3.3K	5%	1/10W	R2580	1-216-025-91	RES, CHIP	100	5%	1/10W
R2532	1-216-295-91	SHORT				R2581	1-216-025-91	RES, CHIP	100	5%	1/10W
R2533	1-216-295-91	SHORT				R2582	1-216-037-00	RES, CHIP	330	5%	1/10W
R2534	1-216-061-00	RES, CHIP	3.3K	5%	1/10W	R2583	1-216-025-91	RES, CHIP	100	5%	1/10W
R2535	1-216-081-00	RES, CHIP	22K	5%	1/10W	R2584	1-216-037-00	RES, CHIP	330	5%	1/10W
R2536	1-216-073-00	RES, CHIP	10K	5%	1/10W	R2585	1-216-037-00	RES, CHIP	330	5%	1/10W
R2537	1-216-295-91	SHORT				R2586	1-216-037-00	RES, CHIP	330	5%	1/10W
R2538	1-216-049-91	RES, CHIP	1K	5%	1/10W	R2587	1-216-295-91	SHORT			
R2539	1-216-081-00	RES, CHIP	22K	5%	1/10W	R2588	1-216-295-91	SHORT			
R2540	1-216-073-00	RES, CHIP	10K	5%	1/10W	R2589	1-216-295-91	SHORT			
R2541	1-216-295-91	SHORT				R2590	1-216-037-00	RES, CHIP	330	5%	1/10W
R2542	1-216-049-91	RES, CHIP	1K	5%	1/10W	R2591	1-216-037-00	RES, CHIP	330	5%	1/10W
R2543	1-216-081-00	RES, CHIP	22K	5%	1/10W	R2592	1-216-025-91	RES, CHIP	100	5%	1/10W
R2544	1-216-073-00	RES, CHIP	10K	5%	1/10W	R2593	1-216-025-91	RES, CHIP	100	5%	1/10W
R2545	1-216-057-00	RES, CHIP	2.2K	5%	1/10W	R2594	1-216-025-91	RES, CHIP	100	5%	1/10W
R2546	1-216-057-00	RES, CHIP	2.2K	5%	1/10W	R2597	1-216-081-00	RES, CHIP	22K	5%	1/10W
R2547	1-216-057-00	RES, CHIP	2.2K	5%	1/10W	R2598	1-216-073-00	RES, CHIP	10K	5%	1/10W
R2548	1-216-295-91	SHORT				R2599	1-216-075-00	RES, CHIP	12K	5%	1/10W
R2549	1-216-049-91	RES, CHIP	1K	5%	1/10W	R2600	1-216-081-00	RES, CHIP	22K	5%	1/10W
R2550	1-216-049-91	RES, CHIP	1K	5%	1/10W	R2601	1-216-075-00	RES, CHIP	12K	5%	1/10W
R2551	1-216-645-11	METAL CHIP	560	0.50%	1/10W	R2602	1-216-081-00	RES, CHIP	22K	5%	1/10W
R2552	1-216-049-91	RES, CHIP	1K	5%	1/10W	R2603	1-216-041-00	RES, CHIP	470	5%	1/10W
R2553	1-216-645-11	METAL CHIP	560	0.50%	1/10W	R2604	1-216-041-00	RES, CHIP	470	5%	1/10W
R2554	1-216-645-11	METAL CHIP	560	0.50%	1/10W	R2605	1-216-025-91	RES, CHIP	100	5%	1/10W
R2555	1-216-645-11	METAL CHIP	560	0.50%	1/10W	R2606	1-216-025-91	RES, CHIP	100	5%	1/10W
R2556	1-216-645-11	METAL CHIP	560	0.50%	1/10W	R2607	1-216-049-91	RES, CHIP	1K	5%	1/10W
R2557	1-216-049-91	RES, CHIP	1K	5%	1/10W	R2608	1-216-049-91	RES, CHIP	1K	5%	1/10W
R2558	1-216-645-11	METAL CHIP	560	0.50%	1/10W	R2609	1-216-049-91	RES, CHIP	1K	5%	1/10W
R2559	1-216-669-11	METAL CHIP	5.6K	0.50%	1/10W	R2610	1-216-049-91	RES, CHIP	1K	5%	1/10W
R2560	1-216-669-11	METAL CHIP	5.6K	0.50%	1/10W	R2611	1-216-049-91	RES, CHIP	1K	5%	1/10W
R2561	1-216-669-11	METAL CHIP	5.6K	0.50%	1/10W	R2612	1-216-049-91	RES, CHIP	1K	5%	1/10W
R2562	1-216-669-11	METAL CHIP	5.6K	0.50%	1/10W	R2613	1-216-073-00	RES, CHIP	10K	5%	1/10W
R2563	1-216-049-91	RES, CHIP	1K	5%	1/10W	R2614	1-216-073-00	RES, CHIP	10K	5%	1/10W
R2564	1-216-049-91	RES, CHIP	1K	5%	1/10W	R2615	1-216-073-00	RES, CHIP	10K	5%	1/10W
R2565	1-216-049-91	RES, CHIP	1K	5%	1/10W	R2616	1-216-033-00	RES, CHIP	220	5%	1/10W
R2566	1-216-669-11	METAL CHIP	5.6K	0.50%	1/10W	R2617	1-216-033-00	RES, CHIP	220	5%	1/10W
R2567	1-216-669-11	METAL CHIP	5.6K	0.50%	1/10W	R2618	1-216-033-00	RES, CHIP	220	5%	1/10W
R2568	1-216-053-00	RES, CHIP	1.5K	5%	1/10W	R2619	1-216-033-00	RES, CHIP	220	5%	1/10W
R2569	1-216-053-00	RES, CHIP	1.5K	5%	1/10W	R2620	1-216-033-00	RES, CHIP	220	5%	1/10W
R2570	1-216-053-00	RES, CHIP	1.5K	5%	1/10W	R2621	1-216-037-00	RES, CHIP	330	5%	1/10W
R2571	1-216-049-91	RES, CHIP	1K	5%	1/10W	R2622	1-216-037-00	RES, CHIP	330	5%	1/10W
R2572	1-216-049-91	RES, CHIP	1K	5%	1/10W	R2623	1-216-037-00	RES, CHIP	330	5%	1/10W
R2573	1-216-049-91	RES, CHIP	1K	5%	1/10W	R2624	1-216-025-91	RES, CHIP	100	5%	1/10W
R2574						R2625	1-216-025-91	RES, CHIP	100	5%	1/10W
	1-216-049-91	RES, CHIP	1K	5%	1/10W						
R2575	1-216-049-91	RES, CHIP	1K	5%	1/10W	R2626	1-216-063-91	RES, CHIP	3.9K	5%	1/10W
R2576	1-216-049-91	RES, CHIP	1K	5%	1/10W	R2627	1-216-063-91	RES, CHIP	3.9K	5%	1/10W
R2577	1-216-025-91	RES, CHIP	100	5%	1/10W	R2628	1-216-063-91	RES, CHIP	3.9K	5%	1/10W



REF.NO.	PART NO.	DESCRIPTION		REMARK		REF.NO.	PART NO.	DESCRIPTION		REMARK
R2629	1-216-121-91	RES, CHIP	1M	5%	1/10W	C3023	1-107-823-11	CERAMIC CHIP	0.47MF	20% 16V
R2630	1-216-295-91	SHORT				C3024	1-107-823-11	CERAMIC CHIP	0.47MF	10% 16V
R2631	1-216-295-91	SHORT				C3025	1-126-933-11	ELECT	100MF	16V
R2633	1-216-041-00	RES, CHIP	470	5%	1/10W	C3026	1-107-823-11	CERAMIC CHIP	0.47MF	20% 16V
R2634	1-216-041-00	RES, CHIP	470	5%	1/10W	C3027	1-107-823-11	CERAMIC CHIP	0.47MF	20% 16V
R2635	1-249-377-11	CARBON	0.47	5%	1/4W F	C3028	1-107-823-11	CERAMIC CHIP	0.47MF	10% 16V
R2636	1-216-085-00	RES, CHIP	33K	5%	1/10W	C3029	1-107-823-11	CERAMIC CHIP	0.47MF	10% 16V
R2637	1-216-025-91	RES, CHIP	100	5%	1/10W	C3030	1-126-933-11	ELECT	100MF	20% 16V
<u>TUNER</u>						C3031	1-107-823-11	CERAMIC CHIP	0.47MF	10% 16V
TU2001	8-598-431-00	TUNER, FSS	BTF-WA411			C3032	1-163-059-91	CERAMIC CHIP	0.01MF	10% 50V
TU2002	8-598-431-00	TUNER, FSS	BTF-WA411			C3033	1-127-515-11	ELECT	47MF	20% 10V
<u>CRYSTAL</u>						C3034	1-126-933-11	ELECT	100MF	20% 16V
X2201	1-767-606-11	VIBRATOR, CRYSTAL				C3035	1-164-489-11	CERAMIC CHIP	0.22MF	10% 16V
X2403	1-577-611-11	OSCILLATOR, CERAMIC				C3036	1-164-004-11	CERAMIC CHIP	0.1MF	10% 25V
X2404	1-577-611-11	OSCILLATOR, CERAMIC				C3037	1-127-515-11	ELECT	47MF	20% 10V
X2405	1-567-505-11	OSCILLATOR, CRYSTAL				C3038	1-163-021-91	CERAMIC CHIP	0.01MF	10% 50V
X2406	1-567-505-11	OSCILLATOR, CRYSTAL				C3039	1-163-059-91	CERAMIC CHIP	0.01MF	10% 50V
X2407	1-578-774-11	VIBRATOR, CRYSTAL				C3040	1-164-004-11	CERAMIC CHIP	0.1MF	10% 25V
X2408	1-578-774-11	VIBRATOR, CRYSTAL				C3041	1-164-004-11	CERAMIC CHIP	0.1MF	10% 25V
<b>B</b>						C3042	1-163-059-91	CERAMIC CHIP	0.01MF	10% 50V
* A-1135-956-A B BOARD, COMPLETE						C3043	1-163-021-91	CERAMIC CHIP	0.01MF	10% 50V
<u>CAPACITOR</u>						C3045	1-163-021-91	CERAMIC CHIP	0.01MF	10% 50V
C3001	1-126-964-11	ELECT	10MF	20%	50V	C3047	1-164-004-11	CERAMIC CHIP	0.1MF	10% 25V
C3002	1-126-964-11	ELECT	10MF	20%	50V	C3048	1-164-004-11	CERAMIC CHIP	0.1MF	10% 25V
C3003	1-163-235-11	CERAMIC CHIP	22PF	5%	50V	C3049	1-164-004-11	CERAMIC CHIP	0.1MF	10% 25V
C3004	1-107-823-11	CERAMIC CHIP	0.47MF	10%	16V	C3050	1-163-021-91	CERAMIC CHIP	0.01MF	10% 50V
C3005	1-107-823-11	CERAMIC CHIP	0.47MF	10%	16V	C3051	1-164-004-11	CERAMIC CHIP	0.1MF	10% 25V
C3006	1-163-235-11	CERAMIC CHIP	22PF	5%	50V	C3052	1-164-004-11	CERAMIC CHIP	0.1MF	10% 25V
C3007	1-163-038-91	CERAMIC CHIP	0.1MF		25V	C3053	1-164-004-11	CERAMIC CHIP	0.1MF	10% 25V
C3008	1-127-515-11	ELECT	47MF	20%	10V	C3056	1-164-489-11	CERAMIC CHIP	0.22MF	10% 16V
C3009	1-163-021-91	CERAMIC CHIP	0.01MF	10%	50V	C3057	1-163-021-91	CERAMIC CHIP	0.01MF	10% 50V
C3010	1-163-021-91	CERAMIC CHIP	0.01MF	10%	50V	C3061	1-163-021-91	CERAMIC CHIP	0.01MF	10% 50V
C3013	1-163-021-91	CERAMIC CHIP	0.01MF	10%	50V	C3062	1-163-021-91	CERAMIC CHIP	0.1MF	10% 50V
C3015	1-126-964-11	ELECT	10MF	20%	50V	C3063	1-163-021-91	CERAMIC CHIP	0.1MF	10% 50V
C3016	1-107-823-11	CERAMIC CHIP	0.47MF	10%	16V	C3065	1-126-964-11	ELECT	10MF	20% 50V
C3017	1-107-823-11	CERAMIC CHIP	0.47MF	10%	16V	C3066	1-107-823-11	CERAMIC CHIP	0.47MF	10% 16V
C3018	1-126-964-11	ELECT	10MF	20%	50V	C3069	1-163-021-91	CERAMIC CHIP	0.01MF	10% 50V
C3019	1-107-823-11	CERAMIC CHIP	0.47MF	10%	16V	C3070	1-126-963-11	ELECT	4.7MF	20% 50V
C3020	1-107-823-11	CERAMIC CHIP	0.47MF	10%	16V	C3071	1-126-933-11	ELECT	100MF	20% 16V
C3021	1-126-933-11	ELECT	100MF	10%	16V	C3072	1-107-823-11	CERAMIC CHIP	0.47MF	10% 16V
C3022	1-104-664-11	ELECT	47MF	20%	16V	C3073	1-163-021-91	CERAMIC CHIP	0.01MF	10% 50V
						C3074	1-164-161-11	CERAMIC CHIP	0.0022MF	10% 50V
						C3075	1-164-004-11	CERAMIC CHIP	0.1MF	10% 25V
						C3076	1-163-021-91	CERAMIC CHIP	0.01MF	10% 50V
						C3077	1-126-933-11	ELECT	100MF	20% 16V
						C3079	1-107-823-11	CERAMIC CHIP	0.47MF	10% 16V
						C3080	1-128-551-11	ELECT	22MF	20% 25V
						C3081	1-128-551-11	ELECT	22MF	20% 25V
						C3082	1-104-664-11	ELECT	47MF	20% 25V



<u>REF.NO.</u>	<u>PART NO.</u>	<u>DESCRIPTION</u>		<u>REMARK</u>			<u>REF.NO.</u>	<u>PART NO.</u>	<u>DESCRIPTION</u>		<u>REMARK</u>
C3083	1-126-933-11	ELECT	100MF	20%	16V		C3132	1-163-038-91	CERAMIC CHIP	0.1MF	25V
C3084	1-163-021-91	CERAMIC CHIP	0.01MF	10%	50V		C3133	1-126-960-11	ELECT	1MF	20% 50V
C3085	1-126-933-11	ELECT	100MF	20%	16V		C3134	1-163-038-91	CERAMIC CHIP	0.1MF	25V
C3086	1-126-933-11	ELECT	100MF	20%	16V		C3135	1-163-038-91	CERAMIC CHIP	0.1MF	25V
C3087	1-163-021-91	CERAMIC CHIP	0.01MF	10%	50V		C3136	1-163-038-91	CERAMIC CHIP	0.1MF	25V
C3088	1-126-933-11	ELECT	100MF	20%	16V		C3137	1-163-038-91	CERAMIC CHIP	0.1MF	25V
C3089	1-126-933-11	ELECT	100MF	20%	16V		C3138	1-164-182-11	CERAMIC CHIP	0.0033MF	10% 50V
C3090	1-163-021-91	CERAMIC CHIP	0.01MF	10%	50V		C3139	1-163-009-11	CERAMIC CHIP	0.001MF	10% 50V
C3091	1-126-933-11	ELECT	100MF	20%	16V		C3140	1-164-005-11	CERAMIC CHIP	0.47MF	25V
C3092	1-126-933-11	ELECT	100MF	20%	16V		C3141	1-126-964-11	ELECT	10MF	20% 50V
C3093	1-163-021-91	CERAMIC CHIP	0.01MF	10%	50V		C3142	1-163-038-91	CERAMIC CHIP	0.1MF	25V
C3094	1-126-933-11	ELECT	100MF	20%	16V		C3143	1-163-038-91	CERAMIC CHIP	0.1MF	25V
C3095	1-126-933-11	ELECT	100MF	20%	16V		C3144	1-164-182-11	CERAMIC CHIP	0.0033MF	10% 50V
C3096	1-164-505-11	CERAMIC CHIP	2.2MF		16V		C3145	1-163-009-11	CERAMIC CHIP	0.001MF	10% 50V
C3097	1-164-505-11	CERAMIC CHIP	2.2MF		16V		C3147	1-126-961-11	ELECT	2.2MF	20% 50V
C3098	1-164-505-11	CERAMIC CHIP	2.2MF		16V		C3149	1-126-961-11	ELECT	2.2MF	20% 50V
C3099	1-164-505-11	CERAMIC CHIP	2.2MF		16V		C3150	1-164-222-11	CERAMIC CHIP	0.22MF	25V
C3100	1-164-505-11	CERAMIC CHIP	2.2MF		16V		C3151	1-126-965-11	ELECT	22MF	20% 50V
C3101	1-163-038-91	CERAMIC CHIP	0.1MF		25V		C3152	1-104-665-11	ELECT	100MF	20% 25V
C3102	1-126-967-11	ELECT	47MF	20%	50V		C3153	1-164-505-11	CERAMIC CHIP	2.2MF	16V
C3103	1-126-963-11	ELECT	4.7MF	20%	50V		C3154	1-126-967-11	ELECT	47MF	20% 50V
C3104	1-163-038-91	CERAMIC CHIP	0.1MF		25V		C3155	1-163-038-91	CERAMIC CHIP	0.1MF	25V
C3105	1-126-967-11	ELECT	47MF	20%	50V		C3156	1-164-005-11	CERAMIC CHIP	0.47MF	16V
C3106	1-126-967-11	ELECT	47MF	20%	50V		C3157	1-164-005-11	CERAMIC CHIP	0.47MF	16V
C3107	1-126-967-11	ELECT	47MF	20%	50V		C3158	1-164-005-11	CERAMIC CHIP	0.47MF	16V
C3108	1-126-967-11	ELECT	47MF	20%	50V		C3159	1-163-038-91	CERAMIC CHIP	0.1MF	25V
C3109	1-163-038-91	CERAMIC CHIP	0.1MF		25V		C3160	1-163-038-91	CERAMIC CHIP	0.1MF	25V
C3110	1-126-963-11	ELECT	4.7MF	20%	50V		C3161	1-163-038-91	CERAMIC CHIP	0.1MF	25V
C3111	1-163-005-11	CERAMIC CHIP	470PF	10%	50V		C3162	1-163-021-91	CERAMIC CHIP	0.01MF	10% 50V
C3112	1-163-005-11	CERAMIC CHIP	470PF	10%	50V		C3163	1-163-021-91	CERAMIC CHIP	0.01MF	10% 50V
C3113	1-163-227-11	CERAMIC CHIP	10PF	0.5PF	50V		C3164	1-163-038-91	CERAMIC CHIP	0.1MF	25V
C3114	1-163-275-11	CERAMIC CHIP	0.001MF	5%	50V		C3165	1-126-933-11	ELECT	100MF	20% 16V
C3115	1-163-243-11	CERAMIC CHIP	47PF	5%	50V		C3166	1-163-235-11	CERAMIC CHIP	22PF	5% 50V
C3116	1-163-038-91	CERAMIC CHIP	0.1MF		25V		C3167	1-163-235-11	CERAMIC CHIP	22PF	5% 50V
C3117	1-126-967-11	ELECT	47MF	20%	50V		C3168	1-164-005-11	CERAMIC CHIP	0.47MF	16V
C3118	1-126-967-11	ELECT	47MF	20%	50V		C3169	1-164-005-11	CERAMIC CHIP	0.47MF	16V
C3119	1-163-038-91	CERAMIC CHIP	0.1MF		25V		C3170	1-126-933-11	ELECT	100MF	20% 16V
C3120	1-163-038-91	CERAMIC CHIP	0.1MF		25V		C3171	1-163-021-91	CERAMIC CHIP	0.01MF	10% 50V
C3121	1-126-967-11	ELECT	47MF	20%	50V		C3172	1-164-222-11	CERAMIC CHIP	0.22MF	25V
C3122	1-126-967-11	ELECT	47MF	20%	50V		C3175	1-126-967-11	ELECT	47MF	20% 50V
C3123	1-164-161-11	CERAMIC CHIP	0.0022MF	10%	50V		C3176	1-163-021-91	CERAMIC CHIP	0.01MF	10% 50V
C3124	1-164-161-11	CERAMIC CHIP	0.0022MF	10%	50V		C3177	1-163-021-91	CERAMIC CHIP	0.01MF	10% 50V
C3125	1-126-963-11	ELECT	4.7MF	20%	50V		C3178	1-126-964-11	ELECT	10MF	20% 50V
C3126	1-126-963-11	ELECT	4.7MF	20%	50V		C3181	1-128-551-11	ELECT	22MF	20% 25V
C3127	1-163-038-91	CERAMIC CHIP	0.1MF		25V		C3182	1-128-551-11	ELECT	22MF	20% 25V
C3128	1-163-038-91	CERAMIC CHIP	0.1MF		25V		C3183	1-126-963-11	ELECT	4.7MF	20% 50V
C3129	1-163-038-91	CERAMIC CHIP	0.1MF		25V		C3184	1-126-963-11	ELECT	4.7MF	20% 50V
C3130	1-126-967-11	ELECT	47MF	20%	50V		C3185	1-126-959-11	ELECT	0.47MF	20% 50V
C3131	1-163-038-91	CERAMIC CHIP	0.1MF		25V		C3186	1-126-959-11	ELECT	0.47MF	20% 50V





<u>REF.NO.</u>	<u>PART NO.</u>	<u>DESCRIPTION</u>	<u>REMARK</u>	<u>REF.NO.</u>	<u>PART NO.</u>	<u>DESCRIPTION</u>	<u>REMARK</u>
D3251	8-719-404-49	DIODE MA111		L3003	1-408-607-31	INDUCTOR CHIP 22UH	
D3252	8-719-404-49	DIODE MA111		L3004	1-408-607-31	INDUCTOR CHIP 22UH	
D3253	8-719-025-31	DIODE 02CZ5.6-TE85L		L3005	1-408-607-31	INDUCTOR CHIP 22UH	
D3255	8-719-025-31	DIODE 02CZ5.6-TE85L		L3006	1-408-607-31	INDUCTOR CHIP 22UH	
D3256	8-719-404-49	DIODE MA111		L3007	1-410-470-11	INDUCTOR CHIP 10UH	
D3257	8-719-404-49	DIODE MA111		L3008	1-408-607-31	INDUCTOR CHIP 22UH	
D3351	8-719-108-12	DIODE RD9.1EW		L3009	1-408-607-31	INDUCTOR CHIP 22UH	
D3352	8-719-108-12	DIODE RD9.1EW		L3010	1-408-607-31	INDUCTOR CHIP 22UH	
<u>INDUCTOR</u>				L3011	1-410-196-11	INDUCTOR CHIP 2.2UH	
FB3002	1-412-549-11	INDUCTOR	1mmH	L3012	1-408-607-31	INDUCTOR CHIP 22UH	
FB3003	1-412-549-11	INDUCTOR	1mmH	L3101	1-410-462-11	INDUCTOR CHIP 2.2UH	
<u>FILTER</u>				L3253	1-410-478-11	INDUCTOR CHIP 47UH	
FL3101	1-239-803-11	ENCAPSULATED COMPONENT		L3351	1-408-607-31	INDUCTOR CHIP 22UH	
<u>IC</u>				<u>TRANSISTOR</u>			
IC3001	8-759-242-76	IC TC7W08F		Q3001	8-729-216-22	TRANSISTOR 2SA1162-G	
IC3002	8-759-485-79	IC TC7SET08FU(TE85L)		Q3002	8-729-216-22	TRANSISTOR 2SA1162-G	
IC3003	1-233-983-11	FILTER, LOW PASS		Q3003	8-729-216-22	TRANSISTOR 2SA1162-G	
IC3004	8-759-485-79	IC TC7SET08FU(TE85L)		Q3004	8-729-122-63	TRANSISTOR 2SA1226-E4	
IC3005	8-752-086-13	IC CXA2101AQ		Q3005	8-729-122-63	TRANSISTOR 2SA1226-E4	
IC3006	8-759-547-38	IC LM6171BIMX		Q3006	8-729-122-63	TRANSISTOR 2SA1226-E4	
IC3007	8-759-547-38	IC LM6171BIMX		Q3007	8-729-422-27	TRANSISTOR 2SD601A-Q	
IC3008	8-759-547-38	IC LM6171BIMX		Q3008	8-729-422-27	TRANSISTOR 2SD601A-Q	
IC3009	8-759-231-58	IC TA7812S		Q3009	8-729-122-63	TRANSISTOR 2SA1226-E4	
IC3010	8-759-069-28	IC PQ05RF11		Q3010	8-729-422-27	TRANSISTOR 2SD601A-Q	
IC3011	8-759-701-84	IC NJM7905FA		Q3011	8-729-422-27	TRANSISTOR 2SD601A-Q	
IC3012	8-759-011-65	IC MC74HC4053F		Q3012	8-729-422-27	TRANSISTOR 2SD601A-Q	
IC3101	8-759-549-74	IC TC9447F-003		Q3015	8-729-216-22	TRANSISTOR 2SA1162-G	
IC3102	8-759-042-02	IC S-80743AL-A7-S		Q3016	8-729-422-27	TRANSISTOR 2SD601A-Q	
IC3103	8-759-369-39	IC BH3856FS-E2		Q3017	8-729-216-22	TRANSISTOR 2SA1162-G	
IC3104	8-759-547-42	IC 82B715TD-T		Q3018	8-729-422-27	TRANSISTOR 2SD601A-Q	
IC3105	8-759-547-42	IC 82B715TD-T		Q3019	8-729-422-27	TRANSISTOR 2SD601A-Q	
IC3152	8-759-100-96	IC UPC4558G2		Q3020	8-729-216-22	TRANSISTOR 2SA1162-G	
IC3251	8-759-539-12	IC M306V0EEFP		Q3021	8-729-216-22	TRANSISTOR 2SA1162-G	
IC3252	8-759-527-76	IC M24C08-MN6T		Q3022	8-729-216-22	TRANSISTOR 2SA1162-G	
IC3253	8-759-352-91	IC PST9143NL		Q3023	8-729-422-27	TRANSISTOR 2SD601A-Q	
IC3351	8-759-252-59	IC MAX202CSE		Q3024	8-729-422-27	TRANSISTOR 2SD601A-Q	
<u>JACK</u>				Q3025	8-729-422-27	TRANSISTOR 2SD601A-Q	
J3001	1-565-790-21	JACK, SMALL TYPE	2P	Q3026	8-729-422-27	TRANSISTOR 2SD601A-Q	
J3002	1-785-625-11	JACKBLOCK, PIN	3P	Q3026	8-729-422-27	TRANSISTOR 2SD601A-Q	
J3003	1-785-579-11	JACK, PHONO	2P	Q3251	8-729-216-22	TRANSISTOR 2SA1162-G	
<u>COIL</u>				Q3252	8-729-216-22	TRANSISTOR 2SA1162-G	
L3001	1-408-607-31	INDUCTOR CHIP	22UH	Q3253	8-729-216-22	TRANSISTOR 2SA1162-G	
L3002	1-408-607-31	INDUCTOR CHIP	22UH	Q3254	8-729-422-27	TRANSISTOR 2SD601A-Q	
				Q3255	8-729-017-79	TRANSISTOR FMC6	
				Q3257	8-729-017-79	TRANSISTOR FMC6	
				Q3258	8-729-017-79	TRANSISTOR FMC6	
				Q3260	8-729-422-27	TRANSISTOR 2SD601A-Q	
				Q3261	8-729-422-27	TRANSISTOR 2SD601A-Q	



<u>REF.NO.</u>	<u>PART NO.</u>	<u>DESCRIPTION</u>	<u>REMARK</u>			<u>REF.NO.</u>	<u>PART NO.</u>	<u>DESCRIPTION</u>	<u>REMARK</u>		
<u>RESISTOR</u>						R3058	1-216-075-00	RES, CHIP	12K	5%	1/10W
R3001	1-216-025-91	RES, CHIP	100	5%	1/10W	R3059	1-216-025-91	RES, CHIP	100	5%	1/10W
R3002	1-216-025-91	RES, CHIP	100	5%	1/10W	R3060	1-216-295-91	SHORT			
R3003	1-216-025-91	RES, CHIP	100	5%	1/10W	R3061	1-216-049-91	RES, CHIP	1K	5%	1/10W
R3004	1-216-057-00	RES, CHIP	2.2K	5%	1/10W	R3062	1-216-196-00	RES, CHIP	820	5%	1/8W
R3005	1-216-025-91	RES, CHIP	100	5%	1/10W						
R3006	1-208-790-11	RES, CHIP	2.2K	0.50%	1/10W	R3063	1-216-065-91	RES, CHIP	4.7K	5%	1/10W
R3007	1-208-755-11	RES, CHIP	75	0.50%	1/10W	R3064	1-216-196-00	RES, CHIP	820	5%	1/8W
R3008	1-208-755-11	RES, CHIP	75	0.50%	1/10W	R3065	1-216-049-91	RES, CHIP	1K	5%	1/10W
R3009	1-208-755-11	RES, CHIP	75	0.50%	1/10W	R3066	1-216-097-91	RES, CHIP	100K	5%	1/10W
R3010	1-216-001-00	RES, CHIP	10	5%	1/10W	R3067	1-216-025-91	RES, CHIP	100	5%	1/10W
R3011	1-216-073-00	RES, CHIP	10K	5%	1/10W	R3068	1-216-097-91	RES, CHIP	100K	5%	1/10W
R3012	1-216-009-00	RES, CHIP	22	5%	1/10W	R3069	1-216-073-00	RES, CHIP	10K	5%	1/10W
R3014	1-216-025-91	RES, CHIP	100	5%	1/10W	R3070	1-216-041-00	RES, CHIP	470	5%	1/10W
R3015	1-216-009-00	RES, CHIP	22	5%	1/10W	R3071	1-216-295-91	SHORT			
R3016	1-216-025-91	RES, CHIP	100	5%	1/10W	R3072	1-216-025-91	RES, CHIP	100	5%	1/10W
R3018	1-216-025-91	RES, CHIP	100	5%	1/10W	R3073	1-216-295-91	SHORT			
R3019	1-216-025-91	RES, CHIP	100	5%	1/10W	R3074	1-216-073-00	RES, CHIP	10K	5%	1/10W
R3020	1-216-025-91	RES, CHIP	100	5%	1/10W	R3077	1-216-001-00	RES, CHIP	10	5%	1/10W
R3021	1-216-025-91	RES, CHIP	100	5%	1/10W	R3078	1-216-113-00	RES, CHIP	470K	5%	1/10W
R3022	1-216-025-91	RES, CHIP	100	5%	1/10W	R3079	1-216-049-91	RES, CHIP	1K	5%	1/10W
R3023	1-216-025-91	RES, CHIP	100	5%	1/10W	R3080	1-216-113-00	RES, CHIP	470K	5%	1/10W
R3024	1-216-295-91	SHORT				R3081	1-216-049-91	RES, CHIP	1K	5%	1/10W
R3025	1-216-089-91	RES, CHIP	47K	5%	1/10W	R3082	1-216-049-91	RES, CHIP	1K	5%	1/10W
R3026	1-216-025-91	RES, CHIP	100	5%	1/10W	R3083	1-208-780-11	RES, CHIP	820	0.50%	1/10W
R3027	1-216-206-00	RES, CHIP	2.2K	5%	1/8W	R3084	1-208-780-11	RES, CHIP	820	0.50%	1/10W
R3028	1-216-025-91	RES, CHIP	100	5%	1/10W	R3085	1-208-780-11	RES, CHIP	820	0.50%	1/10W
R3029	1-216-025-91	RES, CHIP	100	5%	1/10W	R3086	1-216-021-00	RES, CHIP	68	5%	1/10W
R3031	1-216-206-00	RES, CHIP	2.2K	5%	1/8W	R3087	1-216-021-00	RES, CHIP	68	5%	1/10W
R3032	1-216-025-91	RES, CHIP	100	5%	1/10W	R3088	1-208-780-11	RES, CHIP	820	0.50%	1/10W
R3033	1-216-025-91	RES, CHIP	100	5%	1/10W	R3089	1-216-041-00	RES, CHIP	470	5%	1/10W
R3035	1-216-025-91	RES, CHIP	100	5%	1/10W	R3090	1-216-049-91	RES, CHIP	1K	5%	1/10W
R3037	1-208-814-11	RES, CHIP	22K	0.50%	1/10W	R3091	1-208-780-11	RES, CHIP	820	0.50%	1/10W
R3038	1-216-025-91	RES, CHIP	100	5%	1/10W	R3092	1-208-780-11	RES, CHIP	820	0.50%	1/10W
R3039	1-216-295-91	SHORT				R3093	1-208-780-11	RES, CHIP	820	0.50%	1/10W
R3040	1-216-206-00	RES, CHIP	2.2K	5%	1/8W	R3094	1-216-021-00	RES, CHIP	68	5%	1/10W
R3041	1-216-196-00	RES, CHIP	820	5%	1/8W	R3095	1-208-780-11	RES, CHIP	820	0.50%	1/10W
R3042	1-216-025-91	RES, CHIP	100	5%	1/10W	R3096	1-208-780-11	RES, CHIP	820	0.50%	1/10W
R3043	1-216-025-91	RES, CHIP	100	5%	1/10W	R3097	1-216-021-00	RES, CHIP	68	5%	1/10W
R3044	1-216-196-00	RES, CHIP	820	5%	1/8W	R3098	1-216-021-00	RES, CHIP	68	5%	1/10W
R3045	1-216-025-91	RES, CHIP	100	5%	1/10W	R3099	1-216-021-00	RES, CHIP	68	5%	1/10W
R3046	1-216-295-91	SHORT				R3100	1-208-780-11	RES, CHIP	820	0.50%	1/10W
R3048	1-216-295-91	SHORT				R3101	1-216-065-91	RES, CHIP	4.7K	5%	1/10W
R3050	1-216-025-91	RES, CHIP	100	5%	1/10W	R3102	1-216-065-91	RES, CHIP	4.7K	5%	1/10W
R3051	1-216-025-91	RES, CHIP	100	5%	1/10W	R3103	1-216-065-91	RES, CHIP	4.7K	5%	1/10W
R3052	1-216-025-91	RES, CHIP	100	5%	1/10W	R3104	1-216-073-00	RES, CHIP	10K	5%	1/10W
R3054	1-216-196-00	RES, CHIP	820	5%	1/8W	R3105	1-216-073-00	RES, CHIP	10K	5%	1/10W
R3055	1-216-133-00	RES, CHIP	3.3M	5%	1/10W	R3106	1-216-129-00	RES, CHIP	2.2M	5%	1/10W
R3056	1-216-196-00	RES, CHIP	820	5%	1/8W	R3107	1-216-035-00	RES, CHIP	270	5%	1/10W
						R3108	1-216-035-00	RES, CHIP	270	5%	1/10W



<u>REF.NO.</u>	<u>PART NO.</u>	<u>DESCRIPTION</u>		<u>REMARK</u>		<u>REF.NO.</u>	<u>PART NO.</u>	<u>DESCRIPTION</u>		<u>REMARK</u>	
R3109	1-208-780-11	RES, CHIP	820	0.50%	1/10W	R3163	1-216-295-91	SHORT			
R3110	1-216-033-00	RES, CHIP	220	5%	1/10W	R3166	1-216-295-91	SHORT			
R3111	1-216-033-00	RES, CHIP	220	5%	1/10W	R3167	1-216-295-91	SHORT			
R3112	1-216-025-91	RES, CHIP	100	5%	1/10W	R3169	1-216-057-00	RES, CHIP	2.2K	5%	1/10W
R3113	1-216-025-91	RES, CHIP	100	5%	1/10W	R3170	1-216-057-00	RES, CHIP	2.2K	5%	1/10W
R3114	1-216-057-00	RES, CHIP	2.2K	5%	1/10W	R3171	1-216-065-91	RES, CHIP	4.7K	5%	1/10W
R3115	1-216-057-00	RES, CHIP	2.2K	5%	1/10W	R3172	1-216-113-00	RES, CHIP	470K	5%	1/10W
R3116	1-216-057-00	RES, CHIP	2.2K	5%	1/10W	R3173	1-216-025-91	RES, CHIP	100	5%	1/10W
R3117	1-216-057-00	RES, CHIP	2.2K	5%	1/10W	R3175	1-216-049-91	RES, CHIP	1K	5%	1/10W
R3118	1-216-021-00	RES, CHIP	68	5%	1/10W	R3176	1-216-049-91	RES, CHIP	1K	5%	1/10W
R3119	1-216-021-00	RES, CHIP	68	5%	1/10W	R3177	1-216-071-00	RES, CHIP	8.2K	5%	1/10W
R3120	1-216-021-00	RES, CHIP	68	5%	1/10W	R3178	1-216-071-00	RES, CHIP	8.2K	5%	1/10W
R3121	1-208-780-11	RES, CHIP	820	0.50%	1/10W	R3179	1-216-061-00	RES, CHIP	3.3K	5%	1/10W
R3122	1-216-021-00	RES, CHIP	68	5%	1/10W	R3180	1-216-061-00	RES, CHIP	3.3K	5%	1/10W
R3123	1-216-023-00	RES, CHIP	82	5%	1/10W	R3181	1-216-025-91	RES, CHIP	100	5%	1/10W
R3124	1-216-021-00	RES, CHIP	68	5%	1/10W	R3182	1-216-099-00	RES, CHIP	120K	5%	1/10W
R3125	1-216-023-00	RES, CHIP	82	5%	1/10W	R3183	1-216-025-91	RES, CHIP	100	5%	1/10W
R3126	1-216-021-00	RES, CHIP	68	5%	1/10W	R3184	1-216-099-00	RES, CHIP	120K	5%	1/10W
R3127	1-216-023-00	RES, CHIP	82	5%	1/10W	R3185	1-216-097-91	RES, CHIP	100K	5%	1/10W
R3128	1-216-021-00	RES, CHIP	68	5%	1/10W	R3186	1-216-097-91	RES, CHIP	100K	5%	1/10W
R3129	1-216-021-00	RES, CHIP	68	5%	1/10W	R3187	1-216-065-91	RES, CHIP	4.7K	5%	1/10W
R3130	1-216-021-00	RES, CHIP	68	5%	1/10W	R3188	1-216-073-00	RES, CHIP	10K	5%	1/10W
R3131	1-216-025-91	RES, CHIP	100	5%	1/10W	R3189	1-216-025-91	RES, CHIP	100	5%	1/10W
R3132	1-216-025-91	RES, CHIP	100	5%	1/10W	R3190	1-216-025-91	RES, CHIP	100	5%	1/10W
R3133	1-216-025-91	RES, CHIP	100	5%	1/10W	R3191	1-216-073-00	RES, CHIP	10K	5%	1/10W
R3134	1-216-073-00	RES, CHIP	10K	5%	1/10W	R3192	1-216-073-00	RES, CHIP	10K	5%	1/10W
R3135	1-216-073-00	RES, CHIP	10K	5%	1/10W	R3193	1-216-073-00	RES, CHIP	10K	5%	1/10W
R3136	1-216-073-00	RES, CHIP	10K	5%	1/10W	R3194	1-216-065-91	RES, CHIP	4.7K	5%	1/10W
R3137	1-216-073-00	RES, CHIP	10K	5%	1/10W	R3195	1-216-097-91	RES, CHIP	100K	5%	1/10W
R3138	1-216-073-00	RES, CHIP	10K	5%	1/10W	R3196	1-216-089-91	RES, CHIP	47K	5%	1/10W
R3139	1-216-073-00	RES, CHIP	10K	5%	1/10W	R3197	1-216-089-91	RES, CHIP	47K	5%	1/10W
R3140	1-216-109-00	RES, CHIP	330K	5%	1/10W	R3198	1-216-049-91	RES, CHIP	1K	5%	1/10W
R3141	1-216-109-00	RES, CHIP	330K	5%	1/10W	R3199	1-216-089-91	RES, CHIP	47K	5%	1/10W
R3142	1-216-049-91	RES, CHIP	1K	5%	1/10W	R3200	1-216-093-00	RES, CHIP	68K	5%	1/10W
R3143	1-216-073-00	RES, CHIP	10K	5%	1/10W	R3201	1-216-073-00	RES, CHIP	10K	5%	1/10W
R3144	1-216-025-91	RES, CHIP	100	5%	1/10W	R3202	1-216-065-91	RES, CHIP	4.7K	5%	1/10W
R3145	1-216-025-91	RES, CHIP	100	5%	1/10W	R3203	1-216-081-00	RES, CHIP	22K	5%	1/10W
R3146	1-216-113-00	RES, CHIP	470K	5%	1/10W	R3204	1-216-041-00	RES, CHIP	470	5%	1/10W
R3147	1-216-113-00	RES, CHIP	470K	5%	1/10W	R3205	1-216-023-00	RES, CHIP	82	5%	1/10W
R3148	1-216-049-91	RES, CHIP	1K	5%	1/10W	R3206	1-216-097-91	RES, CHIP	100K	5%	1/10W
R3149	1-216-049-91	RES, CHIP	1K	5%	1/10W	R3207	1-216-097-91	RES, CHIP	100K	5%	1/10W
R3150	1-216-065-91	RES, CHIP	4.7K	5%	1/10W	R3208	1-216-073-00	RES, CHIP	10K	5%	1/10W
R3151	1-216-065-91	RES, CHIP	4.7K	5%	1/10W	R3209	1-216-077-00	RES, CHIP	15K	5%	1/10W
R3152	1-216-073-00	RES, CHIP	10K	5%	1/10W	R3210	1-216-073-00	RES, CHIP	10K	5%	1/10W
R3153	1-216-073-00	RES, CHIP	10K	5%	1/10W	R3211	1-216-073-00	RES, CHIP	10K	5%	1/10W
R3154	1-216-190-00	RES, CHIP	470	5%	1/8W	R3212	1-216-295-91	SHORT			
R3155	1-216-190-00	RES, CHIP	470	5%	1/8W	R3213	1-216-295-91	SHORT			
R3157	1-216-025-91	RES, CHIP	100	5%	1/10W	R3214	1-216-295-91	SHORT			
R3162	1-216-295-91	SHORT				R3215	1-216-295-91	SHORT			



<u>REF.NO.</u>	<u>PART NO.</u>	<u>DESCRIPTION</u>	<u>REMARK</u>			<u>REF.NO.</u>	<u>PART NO.</u>	<u>DESCRIPTION</u>	<u>REMARK</u>		
R3216	1-216-295-91	SHORT				R3290	1-216-073-00	RES, CHIP	10K	5%	1/10W
R3217	1-216-295-91	SHORT				R3291	1-216-073-00	RES, CHIP	10K	5%	1/10W
R3218	1-216-295-91	SHORT				R3292	1-216-073-00	RES, CHIP	10K	5%	1/10W
R3220	1-216-073-00	RES, CHIP	10K	5%	1/10W	R3293	1-216-073-00	RES, CHIP	10K	5%	1/10W
R3221	1-216-121-91	RES, CHIP	1M	5%	1/10W	R3294	1-216-049-91	RES, CHIP	1K	5%	1/10W
R3222	1-216-121-91	RES, CHIP	1M	5%	1/10W	R3295	1-216-025-91	RES, CHIP	100	5%	1/10W
R3223	1-216-295-91	SHORT				R3296	1-216-049-91	RES, CHIP	1K	5%	1/10W
R3224	1-216-295-91	SHORT				R3297	1-216-049-91	RES, CHIP	1K	5%	1/10W
R3225	1-216-295-91	SHORT				R3298	1-216-009-00	RES, CHIP	22	5%	1/10W
R3226	1-216-295-91	SHORT				R3299	1-216-009-00	RES, CHIP	22	5%	1/10W
R3227	1-216-295-91	SHORT				R3300	1-216-009-00	RES, CHIP	22	5%	1/10W
R3228	1-216-295-91	SHORT				R3302	1-216-049-91	RES, CHIP	1K	5%	1/10W
R3229	1-216-295-91	SHORT				R3303	1-216-081-00	RES, CHIP	22K	5%	1/10W
R3230	1-216-073-00	RES, CHIP	10K	5%	1/10W	R3304	1-216-049-91	RES, CHIP	1K	5%	1/10W
R3231	1-216-025-91	RES, CHIP	100	5%	1/10W	R3305	1-216-049-91	RES, CHIP	1K	5%	1/10W
R3232	1-216-049-91	RES, CHIP	1K	5%	1/10W	R3306	1-216-097-91	RES, CHIP	100K	5%	1/10W
R3252	1-216-037-00	RES, CHIP	330	5%	1/10W	R3307	1-216-097-91	RES, CHIP	100K	5%	1/10W
R3254	1-216-037-00	RES, CHIP	330	5%	1/10W	R3308	1-216-025-91	RES, CHIP	100	5%	1/10W
R3255	1-216-073-00	RES, CHIP	10K	5%	1/10W	R3309	1-216-025-91	RES, CHIP	100	5%	1/10W
R3256	1-216-037-00	RES, CHIP	330	5%	1/10W	R3310	1-216-073-00	RES, CHIP	10K	5%	1/10W
R3257	1-216-033-00	RES, CHIP	220	5%	1/10W	R3311	1-216-073-00	RES, CHIP	10K	5%	1/10W
R3258	1-216-025-91	RES, CHIP	100	5%	1/10W	R3312	1-216-073-00	RES, CHIP	10K	5%	1/10W
R3259	1-216-049-91	RES, CHIP	1K	5%	1/10W	R3313	1-216-057-00	RES, CHIP	2.2K	5%	1/10W
R3260	1-216-295-91	SHORT				R3316	1-216-041-00	RES, CHIP	470	5%	1/10W
R3261	1-216-295-91	SHORT				R3317	1-216-063-91	RES, CHIP	3.9K	5%	1/10W
R3262	1-216-025-91	RES, CHIP	100	5%	1/10W	R3319	1-216-073-00	RES, CHIP	10K	5%	1/10W
R3263	1-216-025-91	RES, CHIP	100	5%	1/10W	R3320	1-216-057-00	RES, CHIP	2.2K	5%	1/10W
R3264	1-216-025-91	RES, CHIP	100	5%	1/10W	R3321	1-216-025-91	RES, CHIP	100	5%	1/10W
R3265	1-216-025-91	RES, CHIP	100	5%	1/10W	R3322	1-216-073-00	RES, CHIP	10K	5%	1/10W
R3266	1-216-057-00	RES, CHIP	2.2K	5%	1/10W	R3323	1-216-073-00	RES, CHIP	10K	5%	1/10W
R3267	1-216-057-00	RES, CHIP	2.2K	5%	1/10W	R3324	1-216-073-00	RES, CHIP	10K	5%	1/10W
R3268	1-216-057-00	RES, CHIP	2.2K	5%	1/10W	R3325	1-216-025-91	RES, CHIP	100	5%	1/10W
R3269	1-216-295-91	SHORT				R3326	1-216-073-00	RES, CHIP	10K	5%	1/10W
R3270	1-216-295-91	SHORT				R3327	1-216-025-91	RES, CHIP	100	5%	1/10W
R3272	1-216-073-00	RES, CHIP	10K	5%	1/10W	R3328	1-216-073-00	RES, CHIP	10K	5%	1/10W
R3273	1-216-073-00	RES, CHIP	10K	5%	1/10W	R3329	1-216-089-91	RES, CHIP	47K	5%	1/10W
R3275	1-216-025-91	RES, CHIP	100	5%	1/10W	R3330	1-216-081-00	RES, CHIP	22K	5%	1/10W
R3276	1-216-025-91	RES, CHIP	100	5%	1/10W	R3331	1-216-057-00	RES, CHIP	2.2K	5%	1/10W
R3277	1-216-049-91	RES, CHIP	1K	5%	1/10W	R3332	1-216-025-91	RES, CHIP	100	5%	1/10W
R3278	1-216-295-91	SHORT				R3333	1-216-073-00	RES, CHIP	10K	5%	1/10W
R3279	1-216-295-91	SHORT				R3334	1-216-057-00	RES, CHIP	2.2K	5%	1/10W
R3280	1-216-039-00	RES, CHIP	390	5%	1/10W	R3335	1-216-025-91	RES, CHIP	100	5%	1/10W
R3281	1-216-049-91	RES, CHIP	1K	5%	1/10W	R3336	1-216-025-91	RES, CHIP	100	5%	1/10W
R3282	1-216-039-00	RES, CHIP	390	5%	1/10W	R3337	1-216-073-00	RES, CHIP	10K	5%	1/10W
R3283	1-216-049-91	RES, CHIP	1K	5%	1/10W	R3338	1-216-057-00	RES, CHIP	2.2K	5%	1/10W
R3286	1-216-081-00	RES, CHIP	22K	5%	1/10W	R3339	1-216-025-91	RES, CHIP	100	5%	1/10W
R3287	1-216-081-00	RES, CHIP	22K	5%	1/10W	R3344	1-216-025-91	RES, CHIP	100	5%	1/10W
R3288	1-216-073-00	RES, CHIP	10K	5%	1/10W	R3345	1-216-295-91	SHORT			
R3289	1-216-073-00	RES, CHIP	10K	5%	1/10W	R3346	1-216-049-91	RES, CHIP	1K	5%	1/10W



**Note:** The components identified by shading and mark  $\Delta$  are critical for safety. Replace only with part number specified.

**Note:** Les composants identifiés par un trame et une marque  $\Delta$  sont critiques pour la sécurité. Ne les remplacer que par une pièce portant le numéro spécifié.

REF.NO.	PART NO.	DESCRIPTION	REMARK						
R3347	1-216-073-00	RES, CHIP	10K	5%	1/10W				
R3348	1-216-295-91	SHORT							
R3353	1-216-295-91	SHORT							
R3354	1-216-295-91	SHORT							
R3355	1-216-025-91	RES, CHIP	100	5%	1/10W				
R3356	1-216-025-91	RES, CHIP	100	5%	1/10W				
R3357	1-216-001-00	RES, CHIP	10	5%	1/10W				
R3358	1-216-001-00	RES, CHIP	10	5%	1/10W				
R3359	1-216-025-91	RES, CHIP	100	5%	1/10W				
<u>CRYSTAL</u>									
X3101	1-579-834-11	VIBRATOR, CRYSTAL							
X3252	1-767-984-21	VIBRATOR, CRYSTAL							
<b>C</b>									
A-1331-851-A C BOARD, MOUNTED									
	7-682-647-09	SCREW	3X6						
<u>CAPACITOR</u>									
C9001	1-126-940-11	ELECT	330MF	20%	25V				
C9004	1-162-114-00	CERAMIC CHIP	0.0047MF		2KV				
C9006	1-163-220-11	CERAMIC CHIP	3PF	0.25PF	50V				
C9007	1-163-220-11	CERAMIC CHIP	3PF	0.25PF	50V				
C9008	1-163-220-11	CERAMIC CHIP	3PF	0.25PF	50V				
C9009	1-163-224-11	CERAMIC CHIP	7PF	0.25PF	50V				
C9010	1-163-224-11	CERAMIC CHIP	7PF	0.25PF	50V				
C9011	1-162-114-00	CERAMIC CHIP	0.0047MF		2KV				
C9012	1-162-114-00	CERAMIC CHIP	0.0047MF		2KV				
C9014	1-162-114-00	CERAMIC CHIP	0.0047MF		2KV				
C9015	1-163-224-11	CERAMIC CHIP	7PF	0.25PF	50V				
C9018	1-107-961-91	ELECT	10MF	20%	250V				
C9019	1-163-035-00	CERAMIC CHIP	0.047MF		50V				
C9020	1-107-961-91	ELECT	10MF	20%	250V				
C9021	1-107-961-91	ELECT	10MF	20%	250V				
C9022	1-101-004-00	CERAMIC CHIP	0.01MF		50V				
C9023	1-101-004-00	CERAMIC CHIP	0.01MF		50V				
C9024	1-163-035-00	CERAMIC CHIP	0.047MF		50V				
C9025	1-104-653-11	ELECT	220MF	20%	16V				
C9026	1-163-035-00	CERAMIC CHIP	0.047MF		50V				
C9027	1-101-004-00	CERAMIC CHIP	0.01MF		50V				
C9028	1-163-017-00	CERAMIC CHIP	0.0047MF	10%	50V				
C9029	1-163-017-00	CERAMIC CHIP	0.0047MF	10%	50V				
C9030	1-163-017-00	CERAMIC CHIP	0.0047MF	10%	50V				
C9031	1-162-116-00	CERAMIC CHIP	680PF	10%	2KV				
C9032	1-162-116-00	CERAMIC CHIP	680PF	10%	2KV				
C9033	1-107-651-11	ELECT	4.7MF	20%	250V				
C9035	1-126-933-11	ELECT	100MF	20%	16V				
C9036	1-126-964-11	ELECT	10MF	20%	50V				
C9037	1-126-961-11	ELECT	2.2MF	20%	50V				
C9042	1-126-940-11	ELECT	330MF	20%	25V				
<u>CONNECTOR</u>									
CN9001*	1-564-513-11	PLUG, CONNECTOR			10P				
CN9002*	1-766-242-11	PIN, CONNECTOR (PC BOARD)			4P				
CN9003	1-695-915-11	TAB (CONTACT)							
CN9004	1-695-915-11	TAB (CONTACT)							
<u>DIODE</u>									
D9001	8-719-991-33	DIODE 1SS133T-77							
D9002	8-719-400-75	DIODE MA3091							
D9003	8-719-991-33	DIODE 1SS133T-77							
D9005	8-719-404-49	DIODE MA111							
D9006	8-719-051-85	DIODE HSS83TD							
D9007	8-719-051-85	DIODE HSS83TD							
D9008	8-719-051-85	DIODE HSS83TD							
D9009	8-719-908-03	DIODE GP08D							
D9013	8-719-991-33	DIODE 1SS133T-77							
D9014	8-719-991-33	DIODE 1SS133T-77							
D9015	8-719-991-33	DIODE 1SS133T-77							
D9016	8-719-991-33	DIODE 1SS133T-77							
D9017	8-719-991-33	DIODE 1SS133T-77							
<u>IC</u>									
IC9001	8-759-360-83	IC TDA6111Q/N4							
IC9002	8-759-360-83	IC TDA6111Q/N4							
IC9003	8-759-360-83	IC TDA6111Q/N4							
<u>JACK</u>									
J9001 $\Delta$	1-451-470-11	SOCKET, CRT							





Note: The components identified by shading and mark  $\Delta$  are critical for safety. Replace only with part number specified.

Note: Les composants identifiés par un trame et une marque  $\Delta$  sont critiques pour la sécurité. Ne les remplacer que par une pièce portant le numéro spécifié.

REF.NO.	PART NO.	DESCRIPTION	REMARK
<u>COIL</u>			
L9001	1-412-540-31	INDUCTOR CHIP 180UH	
L9002	1-408-591-11	INDUCTOR CHIP 1UH	
L9003	1-408-591-11	INDUCTOR CHIP 1UH	
L9004	1-408-591-11	INDUCTOR CHIP 1UH	
L9005	1-406-666-21	INDUCTOR CHIP 150UH	
L9006	1-406-981-21	INDUCTOR CHIP 470UH	
<u>NEON LAMP</u>			
NL9001	1-519-526-11	LAMP, NEON	
NL9002	1-519-526-11	LAMP, NEON	
<u>TRANSISTOR</u>			
Q9001	8-729-216-22	TRANSISTOR 2SA1162-G	
Q9002	8-729-119-78	TRANSISTOR 2SC2785-HFE	
Q9008	8-729-119-78	TRANSISTOR 2SC2785-HFE	
Q9009	8-729-216-22	TRANSISTOR 2SA1162-G	
Q9010	8-729-216-22	TRANSISTOR 2SA1162-G	
Q9011	8-729-216-22	TRANSISTOR 2SA1162-G	
Q9012	8-729-119-78	TRANSISTOR 2SC2785-HFE	
Q9014	8-729-823-81	TRANSISTOR 2SC4632LS-CB7	
<u>RESISTOR</u>			
R9001	1-216-057-00	RES, CHIP 2.2K	5% 1/10W
R9004	1-249-428-11	CARBON 8.2K	5% 1/4W
R9005	1-249-421-11	CARBON 2.2K	5% 1/4W
R9006	1-249-429-11	CARBON 10K	5% 1/4W
R9007	1-216-658-11	METAL CHIP 2K	0.50% 1/10W
R9008	1-216-085-00	RES, CHIP 33K	5% 1/10W
R9009	1-249-429-11	CARBON 10K	5% 1/4W
R9010	1-249-429-11	CARBON 10K	5% 1/4W
R9012	1-249-417-11	CARBON 1K	5% 1/4W
R9013	1-216-049-91	RES, CHIP 1K	5% 1/10W
R9018	1-216-057-00	RES, CHIP 2.2K	5% 1/10W
R9019	1-216-057-00	RES, CHIP 2.2K	5% 1/10W
R9026	1-216-658-11	METAL CHIP 2K	0.50% 1/10W
R9031	1-216-658-11	METAL CHIP 2K	0.50% 1/10W
R9033	1-215-447-00	METAL 12K	1% 1/4W
R9034	1-215-439-00	METAL 5.6K	1% 1/4W
R9035	1-208-789-11	RES, CHIP 2K	0.50% 1/10W
R9036	1-216-049-91	RES, CHIP 1K	5% 1/10W
R9037	1-215-929-11	METAL OXIDE 100K	5% 3W F
R9038	1-208-789-11	RES, CHIP 2K	0.50% 1/10W
R9039	1-208-789-11	RES, CHIP 2K	0.50% 1/10W
R9041	1-216-049-91	RES, CHIP 1K	5% 1/10W

REF.NO.	PART NO.	DESCRIPTION	REMARK
R9042	1-216-049-91	RES, CHIP 1K	5% 1/10W
R9043	1-215-929-11	METAL OXIDE 100K	5% 3W F
R9044	1-215-929-11	METAL OXIDE 100K	5% 3W F
R9047	1-202-557-00	SOLID 220	20% 1/2W
R9048	1-216-049-91	RES, CHIP 1K	5% 1/10W
R9049	1-216-049-91	RES, CHIP 1K	5% 1/10W
R9050	1-249-424-11	CARBON 3.9K	5% 1/4W
R9051	1-202-557-00	SOLID 220	20% 1/2W
R9052	1-202-557-00	SOLID 220	20% 1/2W
R9053	1-249-424-11	CARBON 3.9K	5% 1/4W
R9054	1-249-424-11	CARBON 3.9K	5% 1/4W
R9055	1-260-126-81	CARBON 180K	5% 1/2W
R9056	1-202-549-00	SOLID 100	20% 1/2W
R9057	1-202-847-00	SOLID 560K	20% 1/2W
R9059	1-202-818-00	SOLID 1K	20% 1/2W
R9061	1-202-549-00	SOLID 100	20% 1/2W
R9062	1-260-123-11	CARBON 100K	5% 1/2W
R9063	1-260-123-11	CARBON 100K	5% 1/2W
R9064	1-260-126-81	CARBON 180K	5% 1/2W
R9065	1-249-427-11	CARBON 6.8K	5% 1/4W
R9067	1-219-769-11	CARBON 3.3M	5% 1/2W
R9068	1-216-101-00	RES, CHIP 150K	5% 1/10W
R9069	1-202-549-00	SOLID 100	20% 1/2W
R9070	1-247-807-31	CARBON 100	5% 1/4W
R9071	1-247-807-31	CARBON 100	5% 1/4W
R9072	1-247-807-31	CARBON 100	5% 1/4W
R9073	1-216-049-91	RES, CHIP 1K	5% 1/10W
R9076	1-219-769-11	CARBON 3.3M	5% 1/2W
R9077	1-249-417-11	CARBON 1K	5% 1/4W
R9078	1-249-427-11	CARBON 6.8K	5% 1/4W
R9079	1-249-426-11	CARBON 5.6K	5% 1/4W
R9081	1-247-843-11	CARBON 3.3K	5% 1/4W
R9083	1-249-436-11	CARBON 39K	5% 1/4W
R9084	1-260-126-81	CARBON 180K	5% 1/2W
R9085	1-260-126-81	CARBON 180K	5% 1/2W

VARIABLE RESISTOR

RV9001 $\Delta$	1-241-714-11	RES, ADJ, METAL FILM	110M
RV9002	1-241-767-21	RES, ADJ, CARBON	100K



Note: The components identified by shading and mark  $\Delta$  are critical for safety. Replace only with part number specified.

Note: Les composants identifiés par un trame et une marque  $\Delta$  sont critiques pour la sécurité. Ne les remplacer que par une pièce portant le numéro spécifique.

REF.NO. PART NO. DESCRIPTION REMARK



\* A-1346-767-A D BOARD, COMPLETE

4-037-121-01 SPACER, MICA  
 \* 4-363-146-00 HEAT SINK, V.OUT  
 4-382-854-11 SCREW(M3X10), P, SW (+)

CAPACITOR

C4002	1-136-153-00	FILM	0.01MF	5%	50V
C4003	1-104-710-11	ELECT	22MF	0	160V
C4006	1-136-161-00	FILM	0.047MF	5%	50V
C4007	1-136-479-11	FILM	0.001MF	5%	50V
C4009	1-126-964-11	ELECT	10MF	20%	50V
C4010 $\Delta$	1-117-835-11	FILM	6200PF	3%	2KV
C4011	1-162-318-11	CERAMIC CHIP	0.001MF	10%	500V
C4012	1-107-957-11	ELECT	1MF	20%	250V
C4014	1-130-014-00	FILM	470PF	5%	50V
C4016	1-136-153-00	FILM	0.01MF	5%	50V
C4017	1-136-107-00	FILM	0.39MF	5%	200V
C4018	1-136-155-00	FILM	0.015MF	5%	50V
C4019	1-106-343-00	MYLAR	0.001MF	10%	200V
C4020	1-162-318-11	CERAMIC CHIP	0.001MF	10%	500V
C4021	1-106-383-00	MYLAR	0.047MF	10%	200V
C4022 $\Delta$	1-109-837-11	FILM	0.56MF	5%	400V
C4024	1-130-016-11	FILM	680PF	5%	50V
C4025	1-137-417-11	MYLAR	0.0047MF	10%	200V
C4026	1-162-116-00	CERAMIC CHIP	680PF	10%	2KV
C4027	1-162-116-00	CERAMIC CHIP	680PF	10%	2KV
C4029 $\Delta$	1-129-720-00	FILM	0.033MF	5%	630V
C4031 $\Delta$	1-117-836-11	FILM	6800PF	3%	2KV
C4032	1-125-893-11	FILM	680PF	3%	2KV
C4033	1-126-927-11	ELECT	2200MF	20%	10V
C4034	1-136-165-00	FILM	0.1MF	5%	50V
C4035	1-136-177-00	FILM	1MF	5%	50V
C4036	1-106-383-00	MYLAR	0.047MF	10%	200V
C4038	1-137-417-11	MYLAR	0.0047MF	10%	200V
C4039	1-123-024-21	ELECT	33MF		160V
C4040	1-117-675-11	FILM	2.2MF	5%	250V
C4042	1-109-837-11	FILM	0.56MF	5%	400V
C4043	1-136-165-00	FILM	0.1MF	5%	50V
C4044	1-115-350-51	CERAMIC CHIP	0.0047MF		2KV
C4045	1-126-935-11	ELECT	470MF	20%	16V
C4046	1-126-935-11	ELECT	470MF	20%	16V
C4047	1-107-651-11	ELECT	4.7MF	20%	250V
C4048	1-107-655-11	ELECT	47MF	20%	250V

REF.NO. PART NO. DESCRIPTION REMARK

C4049	1-162-318-11	CERAMIC CHIP	0.001MF	10%	500V
C4058	1-126-941-11	ELECT	470MF	20%	25V
C4059	1-136-161-00	FILM	0.047MF	5%	50V
C4060	1-130-473-00	MYLAR	0.0015MF	5%	50V
C4062	1-136-177-00	FILM	1MF	5%	50V
C4063	1-126-382-11	ELECT	100MF	20%	16V
C4065	1-136-157-00	FILM	0.022MF	5%	50V
C4066	1-137-194-81	FILM	0.47MF	5%	50V
C4067 $\Delta$	1-117-836-11	FILM	6800PF	3%	2KV
C4069	1-136-153-00	FILM	0.01MF	5%	50V
C4070	1-126-963-11	ELECT	4.7MF	20%	50V
C4079	1-126-967-11	ELECT	47MF	20%	50V
C4081	1-129-702-00	FILM	0.001MF	5%	630V
C4082	1-109-921-11	CERAMIC CHIP	0.0015MF	10%	500V
C4084	1-102-121-00	CERAMIC CHIP	0.0022MF	10%	50V
C4085	1-102-228-00	CERAMIC CHIP	470PF	10%	500V
C4086	1-126-960-11	ELECT	1MF	20%	50V
C7001	1-106-363-00	MYLAR	0.0068MF	5%	50V
C7002	1-126-934-11	ELECT	220MF	20%	10V
C7003	1-126-965-11	ELECT	22MF	20%	50V
C7004	1-107-641-11	ELECT	220MF	20%	160V
C7005	1-126-940-11	ELECT	330MF	20%	25V
C7006	1-126-382-11	ELECT	100MF	20%	16V
C7007	1-126-941-11	ELECT	470MF	20%	25V
C7008	1-102-125-00	CERAMIC CHIP	0.0047MF	10%	50V
C7010	1-102-125-00	CERAMIC CHIP	0.0047MF	10%	50V
C7011	1-136-171-00	FILM	0.33MF	5%	50V
C7012	1-126-968-11	ELECT	100MF	20%	50V
C7014	1-137-366-11	FILM	0.0022MF	5%	50V
C7015	1-126-941-11	ELECT	470MF	20%	25V
C7017	1-106-383-00	MYLAR	0.047MF	10%	200V
C7018	1-136-155-00	FILM	0.015MF	5%	50V
C7019	1-162-558-11	CERAMIC CHIP	100PF	10%	2KV
C7020	1-162-558-11	CERAMIC CHIP	100PF	10%	2KV
C7022	1-106-375-12	MYLAR	0.022MF	20%	200V
C7023	1-130-062-91	FILM	0.0056MF	5%	630V
C7025	1-107-636-11	ELECT	10MF	20%	160V
C7028	1-129-718-00	FILM	0.022MF	5%	630V
C7030	1-126-963-11	ELECT	4.7MF	20%	50V
C7032	1-136-104-00	FILM	0.16MF	5%	200V
C7033	1-102-228-00	CERAMIC CHIP	470PF	10%	500V
C7034	1-137-366-11	FILM	0.0022MF	5%	50V
C7036	1-104-665-11	ELECT	100MF	20%	25V
C7037	1-104-664-11	ELECT	47MF	20%	16V
C7038	1-130-471-00	MYLAR	0.001MF	5%	50V
C7040	1-129-702-00	FILM	0.001MF	5%	630V
C7041	1-136-165-00	FILM	0.1MF	5%	50V
C7042	1-102-038-00	CERAMIC CHIP	0.001MF		500V



**Note:** The components identified by shading and mark  $\Delta$  are critical for safety. Replace only with part number specified.

**Note:** Les composants identifiés par un trame et une marque  $\Delta$  sont critiques pour la sécurité. Ne les remplacer que par une pièce portant le numéro spécifié.

REF.NO.	PART NO.	DESCRIPTION	REMARK	REF.NO.	PART NO.	DESCRIPTION	REMARK
<u>CONNECTOR</u>							
CN4001*	1-900-240-33	CONNECTOR ASSY, MICRO PRESS	10P	D4058	8-719-923-86	DIODE MTZJ-T-77-15	
CN4002*	1-580-798-11	CONNECTOR PIN (DY)		D4059	8-719-991-33	DIODE 1SS133T-77	
CN4004*	1-564-513-11	PLUG, CONNECTOR	10P	D4060	8-719-991-33	DIODE 1SS133T-77	
CN4006*	1-564-513-11	PLUG, CONNECTOR	10P	D4062	8-719-109-51	DIODE RD2.0ESB2	
CN4007*	1-564-513-11	PLUG, CONNECTOR	10P	D4063	8-719-991-33	DIODE 1SS133T-77	
CN4009*	1-564-513-11	PLUG, CONNECTOR	10P	D7001	8-719-991-33	DIODE 1SS133T-77	
CN4010*	1-564-513-11	PLUG, CONNECTOR	10P	D7002	8-719-991-33	DIODE 1SS133T-77	
CN7002*	1-766-242-11	PIN, CONNECTOR (PC BOARD) 4P		D7003	8-719-991-33	DIODE 1SS133T-77	
CN7003	1-695-915-11	TAB (CONTACT)		D7005	8-719-908-03	DIODE GP08D	
<u>DIODE</u>							
D4001	8-719-921-63	DIODE MTZJ-7.5B		D7006	8-719-109-72	DIODE RD3.9ESB2	
D4002	8-719-063-70	DIODE D1NL20U		D7007	8-719-991-33	DIODE 1SS133T-77	
D4003	8-719-991-33	DIODE 1SS133T-77		D7008	8-719-923-60	DIODE MTZJ-T-77-9.1A	
D4004	8-719-991-33	DIODE 1SS133T-77		D7009	8-719-300-33	DIODE RU-3AM	
D4005	8-719-063-70	DIODE D1NL20U		D7010	8-719-951-30	DIODE ERA91-02	
D4007	8-719-920-67	DIODE ERC91-02		D7011	8-719-971-20	DIODE ERC38-06	
D4008	8-719-991-33	DIODE 1SS133T-77		D7012	8-719-971-20	DIODE ERC38-06	
D4009	8-719-302-43	DIODE EL1Z		D7013	8-719-923-86	DIODE MTZJ-T-77-15	
D4011	8-719-991-33	DIODE 1SS133T-77		D7023	8-719-991-33	DIODE 1SS133T-77	
D4012	8-719-110-17	DIODE RD10ESB2		D7024	8-719-063-70	DIODE D1NL20U	
D4013	8-719-923-78	DIODE MTZJ-T-77-12		D7027	8-719-302-43	DIODE EL1Z	
D4015	8-719-920-67	DIODE ERC91-02		D7028	8-719-510-02	DIODE D1NS4	
D4016	8-719-980-78	DIODE ERA83-006		D7029	8-719-110-88	DIODE RD39ESB2	
D4017	8-719-979-99	DIODE ERD08M-15		D7030	8-719-991-33	DIODE 1SS133T-77	
D4018	8-719-991-33	DIODE 1SS133T-77		D7033	8-719-109-51	DIODE RD2.0ESB2	
D4019	8-719-947-06	DIODE RGP10JPKG23		D7034	8-719-991-33	DIODE 1SS133T-77	
D4021	8-719-302-43	DIODE EL1Z		D7102	8-719-991-33	DIODE 1SS133T-77	
D4022	8-719-018-82	DIODE RGP02-20EL-6394		<u>FUSE</u>			
D4023	8-719-921-37	DIODE MTZJ-4.7		F4001 $\Delta$	1-532-768-31	FUSE, MICRO (SECONDARY)	160MA/125V
D4024	8-719-920-67	DIODE ERC91-02		<u>FERRITE BEAD</u>			
D4025	8-719-920-67	DIODE ERC91-02		FB4001	1-410-397-21	FERRITE	1.1UH
D4026	8-719-302-43	DIODE EL1Z		FB4002	1-410-397-21	FERRITE	1.1UH
D4027	8-719-302-43	DIODE EL1Z		FB4003	1-410-397-21	FERRITE	1.1UH
D4028	8-719-991-33	DIODE 1SS133T-77		FB4004	1-412-473-51	INDUCTOR CHIP	
D4031	8-719-991-33	DIODE 1SS133T-77		FB4005	1-412-473-51	INDUCTOR CHIP	
D4033	8-719-991-33	DIODE 1SS133T-77		FB4006	1-543-298-11	FERRITE	
D4034	8-719-923-86	DIODE MTZJ-T-77-15		FB4007	1-543-298-11	FERRITE	
D4037	8-719-991-33	DIODE 1SS133T-77		<u>IC</u>			
D4040	8-719-991-33	DIODE 1SS133T-77		IC4001	8-759-360-43	IC NJM2360AD	
D4041	8-719-052-09	DIODE FMG-36S-LF024-104		IC4002	8-759-185-47	IC IR2112	
D4042	8-719-924-13	DIODE MTZJ-T-77-22B		IC4003	8-759-803-42	IC LA6500-FA	
D4043	8-719-924-13	DIODE MTZJ-T-77-22B		IC4004	8-759-729-01	IC NJM2901N	
D4047	8-719-991-33	DIODE 1SS133T-77		IC4005	8-759-700-42	IC NJM2904D	
D4048	8-719-991-33	DIODE 1SS133T-77					
D4052	8-719-981-95	DIODE MTZJ-2.7B					



**Note:** The components identified by shading and mark  $\Delta$  are critical for safety. Replace only with part number specified.

**Note:** Les composants identifiés par un trame et une marque  $\Delta$  sont critiques pour la sécurité. Ne les remplacer que par une pièce portant le numéro spécifié.

REF.NO.	PART NO.	DESCRIPTION	REMARK	REF.NO.	PART NO.	DESCRIPTION	REMARK
IC4006	8-759-700-42	IC NJM2904D		Q4012	8-729-030-02	TRANSISTOR DTC144ESA	
IC4011 $\Delta$	8-749-011-85	IC HM-1		Q4013	8-729-119-78	TRANSISTOR 2SC2785-HFE	
IC7001 $\Delta$	1-809-538-11	IC PM-26		Q4014	8-729-119-76	TRANSISTOR 2SA1175-HFE	
IC7002	8-759-098-24	IC PQ30RV11		Q4015	8-729-119-78	TRANSISTOR 2SC2785-HFE	
IC7003	8-759-192-71	IC STV9379		Q4016	8-729-119-78	TRANSISTOR 2SC2785-HFE	
<b>COIL</b>				Q4018	8-729-045-25	TRANSISTOR 2SC3997S-SONY	
L4001	1-406-989-21	INDUCTOR CHIP 10MMH		Q4019	8-729-034-09	TRANSISTOR 2SK2518-01MR	
L4002	1-406-667-11	INDUCTOR CHIP 220UH		Q4021	8-729-927-85	TRANSISTOR 2SB1496EF	
L4003	1-416-375-11	INDUCTOR CHIP 2.2MMH		Q4022	8-729-015-28	TRANSISTOR IRFI9630GS	
L4004 $\Delta$	1-406-892-11	INDUCTOR CHIP 4MMH		Q4023	8-729-029-64	TRANSISTOR DTC113ZSA	
L4005 $\Delta$	1-411-555-11	INDUCTOR CHIP 72UH		Q4027	8-729-026-79	TRANSISTOR IRFI620G	
L4006 $\Delta$	1-416-765-11	COIL, HORIZONTAL LINEARITY		Q4028	8-729-119-78	TRANSISTOR 2SC2785-HFE	
L4007	1-406-667-11	INDUCTOR CHIP 220UH		Q4035	8-729-119-78	TRANSISTOR 2SC2785-HFE	
L4008	1-406-979-11	INDUCTOR CHIP 220UH		Q4040	8-729-119-76	TRANSISTOR 2SA1175-HFE	
L4009	1-412-533-21	INDUCTOR CHIP 47UH		Q4041	8-729-119-76	TRANSISTOR 2SA1175-HFE	
L7001	1-406-667-11	INDUCTOR CHIP 220UH		Q4050	8-729-119-78	TRANSISTOR 2SC2785-HFE	
L7002	1-414-158-11	INDUCTOR CHIP 2.2UH		Q7001	8-729-119-78	TRANSISTOR 2SC2785-HFE	
L7003	1-406-989-21	INDUCTOR CHIP 10MMH		Q7002	8-729-119-76	TRANSISTOR 2SA1175-HFE	
L7004	1-406-985-11	INDUCTOR CHIP 2.2MMH		Q7003	8-729-019-57	TRANSISTOR 2SA1208S-TP	
L7005	1-406-985-11	INDUCTOR CHIP 2.2MMH		Q7005	8-729-119-76	TRANSISTOR 2SA1175-HFE	
L7006 $\Delta$	1-416-374-11	INDUCTOR CHIP 1MMH		Q7009	8-729-015-28	TRANSISTOR IRFI9630GS	
L7007	1-412-525-31	INDUCTOR CHIP 10UH		Q7012	8-729-025-19	TRANSISTOR IRFI740G	
L7008	1-412-525-31	INDUCTOR CHIP 10UH		Q7014	8-729-119-78	TRANSISTOR 2SC2785-HFE	
<b>NEON LAMP</b>				Q7015	8-729-119-76	TRANSISTOR 2SA1175-HFE	
NL7001	1-519-526-11	LAMP, NEON		Q7016	8-729-025-19	TRANSISTOR IRFI740G	
<b>PHOTO COUPLER</b>				<b>RESISTOR</b>			
PH4002	8-749-010-64	PHOTO COUPLER PC123F2		R4001	1-249-429-11	CARBON 10K 5%	1/4W
PH4006	8-749-010-64	PHOTO COUPLER PC123F2		R4002	1-249-429-11	CARBON 10K 5%	1/4W
<b>TRANSISTOR</b>				R4003	1-249-411-11	CARBON 330 5%	1/4W
Q4001	8-729-119-76	TRANSISTOR 2SA1175-HFE		R4004	1-215-410-00	METAL 360 1%	1/4W
Q4002	8-729-119-78	TRANSISTOR 2SC2785-HFE		R4005	1-216-366-00	METAL OXIDE 0.56 5%	2W F
Q4003	8-729-122-12	TRANSISTOR 2SA1221-L		R4006	1-215-901-00	METAL OXIDE 33K 5%	2W F
Q4004	8-729-119-76	TRANSISTOR 2SA1175-HFE		R4007	1-215-461-00	METAL 47K 1%	1/4W
Q4005	8-729-119-78	TRANSISTOR 2SC2785-HFE		R4008	1-215-447-00	METAL 12K 1%	1/4W
Q4006	8-729-043-95	TRANSISTOR 2SC3840(3)		R4009	1-247-895-91	CARBON 470K 5%	1/4W
Q4007	8-729-030-02	TRANSISTOR DTC144ESA		R4010	1-249-417-11	CARBON 1K 5%	1/4W
Q4009	8-729-119-80	TRANSISTOR 2SC2688-LK		R4011	1-215-477-00	METAL 220K 1%	1/4W
Q4010	8-729-034-09	TRANSISTOR 2SK2518-01MR		R4012	1-215-445-00	METAL 10K 1%	1/4W
Q4011	8-729-322-27	TRANSISTOR 2SK1572S		R4013	1-215-445-00	METAL 10K 1%	1/4W
				R4014	1-215-441-00	METAL 6.8K 1%	1/4W
				R4015	1-215-445-00	METAL 10K 1%	1/4W
				R4017	1-247-887-00	CARBON 220K 5%	1/4W
				R4019	1-247-815-91	CARBON 220 5%	1/4W
				R4022	1-249-389-11	CARBON 4.7 5%	1/4W F
				R4024	1-247-863-91	CARBON 22K 5%	1/4W
				R4025	1-249-417-11	CARBON 1K 5%	1/4W



**Note:** The components identified by shading and mark **Δ** are critical for safety. Replace only with part number specified.

**Note:** The components identified by **☒** in this manual have been carefully factory-selected for each set in order to satisfy regulations regarding X-ray radiation. Should replacement be required, replace only with the value originally used.

REF.NO.	PART NO.	DESCRIPTION	REMARK	REF.NO.	PART NO.	DESCRIPTION	REMARK
R4027	1-249-421-11	CARBON	2.2K 5% 1/4W	R4101	1-249-378-11	CARBON	0.56 5% 1/4W F
R4028	1-249-417-11	CARBON	1K 5% 1/4W	R4102	1-249-377-11	CARBON	0.47 5% 1/4W F
R4029	1-249-417-11	CARBON	1K 5% 1/4W	R4105	1-215-421-00	METAL	1K 1% 1/4W
R4030	1-249-429-11	CARBON	10K 5% 1/4W	R4107	1-249-429-11	CARBON	10K 5% 1/4W
R4031	1-249-429-11	CARBON	10K 5% 1/4W	R4108	1-249-441-11	CARBON	100K 5% 1/4W
R4032	1-249-417-11	CARBON	1K 5% 1/4W	R4109	1-249-377-11	CARBON	0.47 5% 1/4W F
R4033	1-249-429-11	CARBON	10K 5% 1/4W	R4116	1-249-417-11	CARBON	1K 5% 1/4W
R4034	1-215-485-00	METAL	470K 1% 1/4W	R4119	1-215-469-00	METAL	100K 1% 1/4W
R4035	1-249-417-11	CARBON	1K 5% 1/4W	R4122	1-249-441-11	CARBON	100K 5% 1/4W
R4037	1-249-419-11	CARBON	1.5K 5% 1/4W	R4124	1-249-429-11	CARBON	10K 5% 1/4W
R4038	1-249-429-11	CARBON	10K 5% 1/4W	R4125	1-215-922-11	METAL OXIDE	6.8K 5% 3W F
R4041	1-215-449-00	METAL	15K 1% 1/4W	R4135	1-249-425-11	CARBON	4.7K 5% 1/4W
R4042	1-247-807-31	CARBON	100 5% 1/4W	R4136	1-215-447-00	METAL OXIDE	12K 1% 1/4W
R4043	1-249-429-11	CARBON	10K 5% 1/4W	R4137	1-249-429-11	CARBON	10K 5% 1/4W
R4046	1-247-887-00	CARBON	220K 5% 1/4W	R4138	1-249-425-11	CARBON	4.7K 5% 1/4W
R4047	1-249-441-11	CARBON	100K 5% 1/4W	R4139	1-247-863-91	CARBON	22K 5% 1/4W
R4048	1-247-807-31	CARBON	100 5% 1/4W	R4140	1-247-895-91	CARBON	470K 5% 1/4W
R4050	1-249-417-11	CARBON	1K 5% 1/4W	R4141	1-215-463-00	METAL	56K 1% 1/4W
R4051	1-249-441-11	CARBON	100K 5% 1/4W	R4144	1-260-288-11	CARBON	0.47 5% 1/2W
R4052	1-249-441-11	CARBON	100K 5% 1/4W	R4145	1-260-288-11	CARBON	0.47 5% 1/2W
R4053	1-249-437-11	CARBON	47K 5% 1/4W	R4146	1-215-423-00	METAL	1.2K 1% 1/4W
R4054	1-249-429-11	CARBON	10K 5% 1/4W	R4150	1-215-463-00	METAL	56K 1% 1/4W
R4057	1-249-429-11	CARBON	10K 5% 1/4W	R4151	1-249-417-11	CARBON	1K 5% 1/4W
R4058	1-249-441-11	CARBON	100K 5% 1/4W	R4162	1-216-381-11	METAL OXIDE	0.22 5% 3W F
R4060	1-249-421-11	CARBON	2.2K 5% 1/4W	R4178	1-249-429-11	CARBON	10K 5% 1/4W
R4061	1-215-922-11	METAL OXIDE	6.8K 5% 3W F	R4179	1-249-441-11	CARBON	100K 5% 1/4W
R4063	1-215-911-11	METAL OXIDE	100 5% 3W F	R4182	1-215-863-11	METAL OXIDE	100 5% 1W F
R4064	1-249-401-11	CARBON	47 5% 1/4W F	R4184	1-216-373-11	METAL OXIDE	2.2 5% 2W F
R4066	1-249-401-11	CARBON	47 5% 1/4W F	R7001	1-215-884-11	METAL OXIDE	47 5% 2W F
R4067	1-215-421-00	METAL	1K 1% 1/4W	R7002	1-215-884-11	METAL OXIDE	47 5% 2W F
R4068	1-216-381-11	METAL OXIDE	0.22 5% 3W F	R7003	1-215-489-00	METAL	680K 1% 1/4W
R4069	1-249-441-11	CARBON	100K 5% 1/4W	R7004	1-249-383-11	CARBON	1.5 5% 1/4W F
R4070	1-215-905-11	METAL OXIDE	10 5% 3W F	R7010	1-249-425-11	CARBON	4.7K 5% 1/4W
R4072	1-249-429-11	CARBON	10K 5% 1/4W	R7012	1-249-437-11	CARBON	47K 5% 1/4W
R4073	1-260-323-71	CARBON	390 5% 1/2W	R7013	1-249-425-11	CARBON	4.7K 5% 1/4W
R4074	1-247-807-31	CARBON	100 5% 1/4W	R7015	1-215-461-00	METAL	47K 1% 1/4W
R4076	1-216-451-11	METAL OXIDE	120 5% 2W F	R7016	1-249-417-11	CARBON	1K 5% 1/4W
R4079	1-215-435-00	METAL	3.9K 1% 1/4W	☒ R7017Δ	1-215-453-00	METAL	22K 1% 1/4W
R4080	1-215-436-00	METAL	4.3K 1% 1/4W	R7019	1-215-476-00	METAL	200K 1% 1/4W
R4081	1-215-451-00	METAL	18K 1% 1/4W	R7020	1-215-420-00	METAL	910 1% 1/4W
R4082	1-249-429-11	CARBON	10K 5% 1/4W	R7021	1-249-441-11	CARBON	100K 5% 1/4W
R4094	1-249-429-11	CARBON	10K 5% 1/4W	R7022	1-216-370-11	METAL OXIDE	1.2 5% 2W F
R4095	1-216-373-11	METAL OXIDE	2.2 5% 2W F	R7023	1-249-429-11	CARBON	10K 5% 1/4W
R4096	1-215-869-11	METAL OXIDE	1K 5% 1W F	R7024	1-247-887-00	CARBON	220K 5% 1/4W
R4097	1-249-417-11	CARBON	1K 5% 1/4W	R7026	1-247-887-00	CARBON	220K 5% 1/4W
R4098	1-260-123-11	CARBON	100K 5% 1/2W	R7027	1-215-449-00	METAL	15K 1% 1/4W
R4099	1-249-377-11	CARBON	0.47 5% 1/4W F	R7028	1-249-417-11	CARBON	1K 5% 1/4W
R4100	1-249-377-11	CARBON	0.47 5% 1/4W F	R7032	1-249-429-11	CARBON	10K 5% 1/4W



Note: The components identified by shading and mark  $\Delta$  are critical for safety. Replace only with part number specified.

Note: Les composants identifiés par un trame et une marque  $\Delta$  sont critiques pour la sécurité. Ne les remplacer que par une pièce portant le numéro spécifié.

REF.NO.	PART NO.	DESCRIPTION	REMARK	REF.NO.	PART NO.	DESCRIPTION	REMARK
R7035	1-249-429-11	CARBON	10K 5% 1/4W	<u>THERMISTOR</u>			
R7037	1-214-798-21	METAL	1.8 1% 1/2W	TH7001	1-800-193-00	THERMISTOR	
R7038	1-215-433-00	METAL	3.3K 1% 1/4W	<b>G</b>			
R7039	1-249-425-11	CARBON	4.7K 5% 1/4W	* A-1316-409-A G BOARD, COMPLETE			
R7042	1-215-437-00	METAL	4.7K 1% 1/4W	1-533-223-11	HOLDER, FUSE		
R7043	1-249-383-11	CARBON	1.5 5% 1/4W F	4-382-854-11	SCREW (M3X10), P, SW (+)		
R7045	1-215-449-00	METAL	15K 1% 1/4W	<u>CAPACITOR</u>			
R7046	1-215-437-00	METAL	4.7K 1% 1/4W	C5001	1-126-960-11	ELECT	1MF 20% 50V
R7047	1-214-796-00	METAL	1.5 1% 1/2W	C5002	1-164-646-11	CERAMIC	2200PF 10% 500V
R7048	1-215-889-00	METAL OXIDE	330 5% 2W F	C5003	1-126-964-11	ELECT	10MF 20% 50V
R7050	1-249-425-11	CARBON	4.7K 5% 1/4W	C5004	1-126-967-11	ELECT	47MF 20% 50V
R7053	1-259-882-11	CARBON	3.3M 5% 1/4W	C5005	1-102-112-00	CERAMIC	330PF 10% 50V
R7054	1-202-826-00	SOLID	4.7K 20% 1/2W	C5006	1-102-112-00	CERAMIC	330PF 10% 50V
R7055	1-249-441-11	CARBON	100K 5% 1/4W	C5007	1-109-872-11	FILM	0.1MF 5% 400V
R7056	1-249-441-11	CARBON	100K 5% 1/4W	C5008	1-164-646-11	CERAMIC	2200PF 10% 500V
R7057	1-249-441-11	CARBON	100K 5% 1/4W	C5009	1-130-018-41	FILM	0.001MF 2% 50V
R7058	1-215-411-00	METAL	390 1% 1/4W	C5010	1-128-549-11	ELECT	3300MF 20% 35V
R7060	1-249-417-11	CARBON	1K 5% 1/4W	C5011	1-102-112-00	CERAMIC	330PF 10% 50V
R7061	1-215-921-11	METAL OXIDE	4.7K 5% 3W F	C5014	1-102-112-00	CERAMIC	330PF 10% 50V
R7062	1-216-370-11	METAL OXIDE	1.2 5% 2W F	C5015	1-136-165-00	FILM	0.1MF 5% 50V
R7064	1-249-429-11	CARBON	10K 5% 1/4W	C5016	1-126-943-11	ELECT	2200MF 20% 25V
R7065	1-215-457-00	METAL	33K 1% 1/4W	C5017	1-104-664-11	ELECT	47MF 20% 25V
R7067	1-249-421-11	CARBON	2.2K 5% 1/4W	C5018	1-126-943-11	ELECT	2200MF 20% 25V
R7068	1-249-429-11	CARBON	10K 5% 1/4W	C5019	1-104-664-11	ELECT	47MF 20% 25V
R7069	1-249-427-11	CARBON	6.8K 5% 1/4W	C5020	1-115-775-11	ELECT	0.0082F 20% 10V
R7070	1-249-430-11	CARBON	12K 5% 1/4W	C5021	1-101-810-00	CERAMIC	100PF 5% 500V
R7072	1-249-429-11	CARBON	10K 5% 1/4W	C5022	1-126-964-11	ELECT	10MF 20% 50V
R7073	1-247-895-91	CARBON	470K 5% 1/4W	C5023	1-126-961-11	ELECT	2.2MF 20% 50V
R7074	1-247-893-11	CARBON	390K 5% 1/4W	C5024	1-107-855-12	ELECT(BLOCK)	330MF 0 160V
R7075	1-247-807-31	CARBON	100 5% 1/4W	C5025	1-107-648-91	ELECT	100MF 20% 160V
R7076	1-249-407-11	CARBON	150 5% 1/4W	C5026	1-126-960-11	ELECT	1MF 20% 50V
R7077	1-249-383-11	CARBON	1.5 5% 1/4W F	C5027	1-101-810-00	CERAMIC	100PF 5% 500V
R7078	1-249-383-11	CARBON	1.5 5% 1/4W F	C5028	1-125-982-11	ELECT MELF	1800MF 20% 250V
R7080	1-249-417-11	CARBON	1K 5% 1/4W	C5030	1-126-960-11	ELECT	1MF 20% 50V
R7081	1-249-429-11	CARBON	10K 5% 1/4W	C5034	1-164-625-11	CERAMIC	680PF 10% 500V
R7082	1-249-413-11	CARBON	470 5% 1/4W	C5035	1-126-960-11	ELECT	1MF 20% 50V
R7083	1-249-417-11	CARBON	1K 5% 1/4W	C5036	1-126-964-11	ELECT	10MF 20% 50V
R7084	1-247-895-91	CARBON	470K 5% 1/4W	C5037	1-130-018-41	FILM	0.001MF 2% 50V
R7085	1-215-465-00	METAL	68K 1% 1/4W	C5038	1-164-625-11	CERAMIC	680PF 10% 500V
R7086	1-215-453-00	METAL	22K 1% 1/4W	C5039	1-136-165-00	FILM	0.1MF 5% 50V
R7087	1-215-415-00	METAL	560 1% 1/4W	C5040	1-129-722-00	FILM	0.047MF 5% 630V
R7124	1-249-429-11	CARBON	10K 5% 1/4W	C5041	1-126-961-11	ELECT	2.2MF 20% 50V
<u>TRANSFORMER</u>							
T4001	1-437-209-11	TRANSFORMER,	HORIZONTAL DRIVE				
T7001	1-433-425-11	TRANSFORMER,	FERRITE (DFT)				
T7002 $\Delta$	X-4036-049-1	FLYBACK TRANSFORMER ASSY,	NX-4127//J1J4				



**Note:** The components identified by shading and mark  $\Delta$  are critical for safety. Replace only with part number specified.

**Note:** Les composants identifiés par un trame et une marque  $\Delta$  sont critiques pour la sécurité. Ne les remplacer que par une pièce portant le numéro spécifique.

REF.NO.	PART NO.	DESCRIPTION	REMARK	REF.NO.	PART NO.	DESCRIPTION	REMARK
C5042	1-126-768-11	ELECT	2200MF 20% 16V	CN5006*	1-573-960-11	CONNECTOR (FEMALE)	50P
C5044	1-130-495-00	MYLAR	0.1MF 5% 50V	CN5010*	1-573-960-11	CONNECTOR (FEMALE)	50P
C5046	1-126-767-11	ELECT	1000MF 20% 16V	CN5011*	1-573-960-11	CONNECTOR (FEMALE)	50P
C5048	1-104-665-11	ELECT	100MF 20% 25V	CN5012	1-573-298-21	CONNECTOR, BOARD TO BOARD	20P
C5049	1-126-768-11	ELECT	2200MF 20% 16V	CN5013*	1-564-513-11	PLUG, CONNECTOR	10P
C5050	1-126-935-11	ELECT	470MF 20% 16V	CN5015*	1-691-616-21	CONNECTOR, BOARD TO BOARD	15P
C5051	1-126-767-11	ELECT	1000MF 20% 16V	CN5016*	1-564-513-11	PLUG, CONNECTOR	10P
C5052	1-126-934-11	ELECT	220MF 20% 16V	CN5501*	1-580-844-11	PIN, CONNECTOR (POWER)	
C5053	1-115-775-11	ELECT	0.0082F 20% 10V	CN5502	1-695-915-11	TAB (CONTACT)	
C5054	1-126-916-11	ELECT	1000MF 20% 6.3V	CN5503	1-766-241-11	PIN, CONNECTOR (PC BOARD)	3P
C5055	1-126-969-11	ELECT	220MF 20% 50V	CN5504	1-766-241-11	PIN, CONNECTOR (PC BOARD)	3P
C5056	1-126-968-11	ELECT	100MF 20% 50V	CN5505*	1-508-786-00	PIN, CONNECTOR (5MM PITCH)	2P
C5057	1-126-960-11	ELECT	1MF 20% 50V	CN5506	1-695-915-11	TAB (CONTACT)	
C5058	1-136-153-00	FILM	0.01MF 5% 50V	CN5507	1-695-915-11	TAB (CONTACT)	
C5059	1-126-943-11	ELECT	2200MF 20% 25V	CN5508	1-695-915-11	TAB (CONTACT)	
C5060	1-104-666-11	ELECT	220MF 20% 25V	CN5901*	1-564-595-11	PLUG, CONNECTOR	14P
C5062	1-130-477-00	FILM	0.0033MF 5% 50V				
C5063 $\Delta$	1-113-910-11	CERAMIC	470PF 10% 250V				
C5064	1-136-192-61	FILM	0.33MF 10% 250V				
C5065	1-126-933-11	ELECT	100MF 20% 16V				
C5069	1-126-916-11	ELECT	1000MF 20% 6.3V				
C5070	1-127-515-11	ELECT	47MF 20% 6.3V				
C5501 $\Delta$	1-113-920-11	CERAMIC	0.0022MF 20% 250V				
C5502 $\Delta$	1-136-346-21	FILM	0.22MF 20% 125V				
C5503 $\Delta$	1-136-346-21	FILM	0.22MF 20% 125V				
C5504 $\Delta$	1-113-920-11	CERAMIC	0.0022MF 20% 250V				
C5505	1-162-599-12	CERAMIC	0.0047MF 250V				
C5506	1-162-599-12	CERAMIC	0.0047MF 250V				
C5507	1-162-599-12	CERAMIC	0.0047MF 250V				
C5508	1-162-599-12	CERAMIC	0.0047MF 250V				
C5509	1-128-551-11	ELECT	22MF 20% 25V				
C5510 $\Delta$	1-136-311-11	FILM	0.47MF 20% 125V				
C5511 $\Delta$	1-136-311-11	FILM	0.47MF 20% 125V				
C5512	1-126-953-11	ELECT	2200MF 20% 35V				
C5513	1-126-933-11	ELECT	100MF 20% 16V				
C5514	1-126-927-11	ELECT	2200MF 20% 10V				
C5515	1-126-934-11	ELECT	220MF 20% 16V				
C5516	1-126-963-11	ELECT	4.7MF 20% 50V				
		<b>CONNECTOR</b>					
CN5001*	1-564-513-11	PLUG, CONNECTOR	10P				
CN5002*	1-573-960-11	CONNECTOR (FEMALE)	50P				
CN5003	1-573-298-21	CONNECTOR, BOARD TO BOARD	20P				
CN5004	1-764-812-11	CONNECTOR, BOARD TO BOARD	11P				
CN5005*	1-564-513-11	PLUG, CONNECTOR	10P				
		<b>DIODE</b>					
D5001	8-719-110-53	DIODE RD20ESB2					
D5002	8-719-991-33	DIODE 1SS133T-77					
D5003	8-719-110-53	DIODE RD20ESB2					
D5004	8-719-052-90	DIODE D1NL40-TA2					
D5005	8-719-110-53	DIODE RD20ESB2					
D5006	8-719-991-33	DIODE 1SS133T-77					
D5007	8-719-052-90	DIODE D1NL40-TA2					
D5008	8-719-110-53	DIODE RD20ESB2					
D5009	8-719-052-90	DIODE D1NL40-TA2					
D5010	8-719-052-92	DIODE D10SBS4F					
D5011	8-719-052-90	DIODE D1NL40-TA2					
D5012	8-719-060-89	DIODE D4SBS6-F					
D5013	8-719-991-33	DIODE 1SS133T-77					
D5014	8-719-510-48	DIODE D1N20R					
D5015	8-719-500-71	DIODE D8LC40					
D5016	8-719-991-33	DIODE 1SS133T-77					
D5017	8-719-991-33	DIODE 1SS133T-77					
D5018	8-719-110-31	DIODE RD12ESB2					
D5019	8-719-110-60	DIODE RD24ESB					
D5020	8-719-991-33	DIODE 1SS133T-77					
D5021	8-719-923-83	DIODE MTZJ-T-77-13A					
D5022	8-719-991-33	DIODE 1SS133T-77					
D5023	8-719-991-33	DIODE 1SS133T-77					
D5024	8-719-991-33	DIODE 1SS133T-77					
D5025	8-719-110-58	DIODE RD22ESB3					
D5026	8-719-110-53	DIODE RD20ESB2					
D5027	8-719-991-33	DIODE 1SS133T-77					
D5028	8-719-110-53	DIODE RD20ESB2					
D5029	8-719-052-90	DIODE D1NL40-TA2					
D5030	8-719-991-33	DIODE 1SS133T-77					







REF.NO.	PART NO.	DESCRIPTION	REMARK	REF.NO.	PART NO.	DESCRIPTION	REMARK
<u>TRANSISTOR</u>							
Q5001	8-729-044-42	TRANSISTOR IRFI644G-LF36		R5026	1-216-342-11	METAL OXIDE	0.27 5% 1W F
Q5002	8-729-044-42	TRANSISTOR IRFI644G-LF36		R5027	1-249-425-11	CARBON	4.7K 5% 1/4W
Q5003	8-729-119-76	TRANSISTOR 2SA1175-HFE		R5028	1-249-417-11	CARBON	1K 5% 1/4W
Q5004	8-729-119-76	TRANSISTOR 2SA1175-HFE		R5029	1-249-425-11	CARBON	4.7K 5% 1/4W
Q5005	8-729-119-80	TRANSISTOR 2SC2688-LK		R5030	1-215-479-00	METAL	270K 1% 1/4W
Q5006	8-729-119-76	TRANSISTOR 2SA1175-HFE		R5032	1-215-465-00	METAL	68K 1% 1/4W
Q5007	8-729-140-93	TRANSISTOR 2SB733-34		R5033	1-247-843-11	CARBON	3.3K 5% 1/4W
Q5008	8-729-119-78	TRANSISTOR 2SC2785-HFE		R5034	1-215-465-00	METAL	68K 1% 1/4W
Q5009	8-729-019-57	TRANSISTOR 2SA1208S-TP		R5035	1-249-417-11	CARBON	1K 5% 1/4W
Q5010	8-729-119-78	TRANSISTOR 2SC2785-HFE		R5036	1-249-429-11	CARBON	10K 5% 1/4W
Q5011	8-729-119-78	TRANSISTOR 2SC2785-HFE		R5037	1-247-843-11	CARBON	3.3K 5% 1/4W
Q5012	8-729-044-42	TRANSISTOR IRFI644G-LF36		R5038	1-219-718-11	CEMENTED	0.1 10% 5W
Q5013	8-729-044-42	TRANSISTOR IRFI644G-LF36		R5039	1-215-462-00	METAL	51K 1% 1/4W
Q5014	8-729-119-78	TRANSISTOR 2SC2785-HFE		R5040	1-249-441-11	CARBON	100K 5% 1/4W
Q5015	8-729-119-76	TRANSISTOR 2SA1175-HFE		R5041	1-249-434-11	CARBON	27K 5% 1/4W
Q5016	8-729-119-76	TRANSISTOR 2SA1175-HFE		R5042	1-249-425-11	CARBON	4.7K 5% 1/4W
Q5017	8-729-119-76	TRANSISTOR 2SA1175-HFE		R5043	1-249-417-11	CARBON	1K 5% 1/4W
Q5018	8-729-119-78	TRANSISTOR 2SC2785-HFE		R5044	1-249-389-11	CARBON	4.7 5% 1/4W F
Q5019	8-729-119-76	TRANSISTOR 2SA1175-HFE		R5046	1-249-429-11	CARBON	10K 5% 1/4W
Q5020	8-729-119-78	TRANSISTOR 2SC2785-HFE		R5047	1-249-429-11	CARBON	10K 5% 1/4W
Q5501	8-729-119-78	TRANSISTOR 2SC2785-HFE		R5048	1-249-437-11	CARBON	47K 5% 1/4W
Q5502	8-729-119-78	TRANSISTOR 2SC2785-HFE		R5049	1-249-409-11	CARBON	220 5% 1/4W F
Q5503	8-729-119-78	TRANSISTOR 2SC2785-HFE		R5052	1-249-417-11	CARBON	1K 5% 1/4W
Q5504	8-729-119-76	TRANSISTOR 2SA1175-HFE		R5054	1-249-425-11	CARBON	4.7K 5% 1/4W F
Q5505	8-729-119-76	TRANSISTOR 2SA1175-HFE		R5055	1-249-402-11	CARBON	56 5% 1/4W F
<u>RESISTOR</u>							
R5001	1-247-863-91	CARBON	22K	5%	1/4W		
R5002	1-249-429-11	CARBON	10K	5%	1/4W		
R5003	1-216-377-11	METAL OXIDE	4.7	5%	2W	F	
R5004	1-249-425-11	CARBON	4.7K	5%	1/4W	F	
R5005	1-249-397-11	CARBON	22	5%	1/4W	F	
R5007	1-249-429-11	CARBON	10K	5%	1/4W		
R5008	1-249-429-11	CARBON	10K	5%	1/4W		
R5009	1-249-425-11	CARBON	4.7K	5%	1/4W		
R5012	1-215-425-00	METAL	1.5K	1%	1/4W		
R5013	1-249-417-11	CARBON	1K	5%	1/4W		
R5014	1-216-377-11	METAL OXIDE	4.7	5%	2W	F	
R5015	1-249-425-11	CARBON	4.7K	5%	1/4W	F	
R5016	1-249-397-11	CARBON	22	5%	1/4W	F	
R5018	1-249-393-11	CARBON	10	5%	1/4W	F	
R5019	1-249-417-11	CARBON	1K	5%	1/4W		
R5020	1-215-903-11	METAL OXIDE	68K	5%	2W	F	
R5022	1-249-429-11	CARBON	10K	5%	1/4W		
R5023	1-247-895-91	CARBON	470K	5%	1/4W		
R5024	1-249-429-11	CARBON	10K	5%	1/4W		
R5025	1-249-429-11	CARBON	10K	5%	1/4W		
R5062	1-247-891-00	CARBON	330K	5%	1/4W		
R5064	1-249-425-11	CARBON	4.7K	5%	1/4W	F	
R5065	1-249-402-11	CARBON	56	5%	1/4W	F	
R5066	1-249-429-11	CARBON	10K	5%	1/4W		
R5067	1-247-843-11	CARBON	3.3K	5%	1/4W		
R5068	1-215-432-00	METAL	3K	1%	1/4W		
R5069	1-215-443-00	METAL	8.2K	1%	1/4W		
R5070	1-249-421-11	CARBON	2.2K	5%	1/4W		
R5072	1-215-413-00	METAL	470	1%	1/4W		
R5073	1-205-796-11	WIREWOUND	4.7K	10%	5W	F	
R5074	1-249-377-11	CARBON	0.47	5%	1/4W	F	
R5076	1-219-718-11	CEMENTED	0.1	10%	5W		
R5078	1-249-429-11	CARBON	10K	5%	1/4W		
R5081	1-249-377-11	CARBON	0.47	5%	1/4W	F	
R5082	1-249-417-11	CARBON	1K	5%	1/4W		
R5083	1-249-429-11	CARBON	10K	5%	1/4W		
R5085	1-249-425-11	CARBON	4.7K	5%	1/4W		
R5086	1-247-807-31	CARBON	100	5%	1/4W		
R5087	1-247-843-11	CARBON	3.3K	5%	1/4W		



**Note:** The components identified by shading and mark  $\Delta$  are critical for safety. Replace only with part number specified.

**Note:** Les composants identifiés par un trame et une marque  $\Delta$  sont critiques pour la sécurité. Ne les remplacer que par une pièce portant le numéro spécifique.

REF.NO.	PART NO.	DESCRIPTION	REMARK	REF.NO.	PART NO.	DESCRIPTION	REMARK
R5088	1-249-421-11	CARBON	2.2K 5% 1/4W	<b>VARISTOR</b>			
R5089 $\Delta$	1-219-776-11	CARBON	2.2M 10% 1/2W	VR5501 $\Delta$	1-801-074-41	VARISTOR ERZV10D271	
R5091	1-249-417-11	CARBON	1K 5% 1/4W	<b>H1</b>			
R5093	1-215-461-00	METAL	47K 1% 1/4W	* A-1372-529-A H1 BOARD, MOUNTED			
R5098	1-249-377-11	CARBON	0.47 5% 1/4W F	<b>CAPACITOR</b>			
R5099	1-249-377-11	CARBON	0.47 5% 1/4W F	C4301	1-126-964-11	ELECT 10MF 20% 50V	
R5101	1-216-341-11	METAL OXIDE	0.22 5% 1W F	C4303	1-102-125-00	CERAMIC CHIP 0.0047MF 10% 50V	
R5111	1-249-429-11	CARBON	10K 5% 1/4W	C4304	1-102-125-00	CERAMIC CHIP 0.0047MF 10% 50V	
R5112	1-215-413-00	METAL	470 1% 1/4W	C4305	1-126-968-11	ELECT 100MF 20% 50V	
R5113	1-215-419-00	METAL	820 1% 1/4W	C4306	1-126-968-11	ELECT 100MF 20% 50V	
R5501	1-216-426-11	METAL OXIDE	82 5% 1W F	<b>CONNECTOR</b>			
R5502	1-205-998-11	CEMENTED	1 5% 10W	CN4301*	1-564-595-11	PLUG, CONNECTOR 14P	
R5503	1-249-429-11	CARBON	10K 5% 1/4W	CN4303*	1-564-506-11	PLUG, CONNECTOR 3P	
R5504	1-249-425-11	CARBON	4.7K 5% 1/4W	<b>DIODE</b>			
R5505	1-249-393-11	CARBON	10 5% 1/4W	D4302	1-810-039-21	LED UNIT	
R5506	1-249-417-11	CARBON	1K 5% 1/4W	D4303	1-810-039-21	LED UNIT	
R5507	1-249-421-11	CARBON	2.2K 5% 1/4W	D4304	8-719-109-89	DIODE RD5.6ESB2	
R5508	1-249-429-11	CARBON	10K 5% 1/4W	<b>IC</b>			
R5509	1-249-421-11	CARBON	2.2K 5% 1/4W	IC4301	8-742-014-11	HYB IC SBX1981-51	
R5510	1-249-429-11	CARBON	10K 5% 1/4W	<b>RESISTOR</b>			
R5512	1-216-426-11	METAL OXIDE	82 5% 1W F	R4309	1-249-429-11	CARBON 10K 5% 1/4W	
R5513	1-247-863-91	CARBON	22K 5% 1/4W	R4310	1-247-807-31	CARBON 100 5% 1/4W	
R5514	1-249-429-11	CARBON	10K 5% 1/4W	R4311	1-215-411-00	METAL 390 1% 1/4W	
R5515	1-249-429-11	CARBON	10K 5% 1/4W	R4312	1-215-416-00	METAL 620 1% 1/4W	
R5516	1-249-429-11	CARBON	10K 5% 1/4W	R4313	1-215-413-00	METAL 470 1% 1/4W	
R5517	1-240-241-11	CEMENTED	0.47 5% 20W	R4314	1-215-417-00	METAL 680 1% 1/4W	
R5518	1-240-241-11	CEMENTED	0.47 5% 20W	R4315	1-215-421-00	METAL 1K 1% 1/4W	
<b>RELAY</b>				R4316	1-215-423-00	METAL 1.2K 1% 1/4W	
RY5501 $\Delta$	1-515-999-11	RELAY, POWER		R4318	1-247-815-91	CARBON 220 5% 1/4W	
RY5502 $\Delta$	1-755-178-11	RELAY, AC POWER		R4328	1-247-815-91	CARBON 220 5% 1/4W	
RY5503 $\Delta$	1-755-178-11	RELAY, AC POWER		R4329	1-249-441-11	CARBON 100K 5% 1/4W	
<b>TRANSFORMER</b>				R4330	1-249-416-11	CARBON 820 5% 1/4W	
T5002 $\Delta$	1-433-406-11	TRANSFORMER, CONVERTER		R4331	1-249-416-11	CARBON 820 5% 1/4W	
T5003 $\Delta$	1-433-407-11	TRANSFORMER, CONVERTER					
T5501 $\Delta$	1-424-248-11	TRANSFORMER, LINE FILTER					
T5502 $\Delta$	1-424-248-11	TRANSFORMER, LINE FILTER					
T5503 $\Delta$	1-433-410-11	TRANSFORMER, STANDBY					
<b>THERMISTOR</b>							
TH5501 $\Delta$	1-809-539-11	THERMISTOR, POSITIVE					
TH5502 $\Delta$	1-809-539-11	THERMISTOR, POSITIVE					

REF.NO.	PART NO.	DESCRIPTION	REMARK	REF.NO.	PART NO.	DESCRIPTION	REMARK
<u>SWITCH</u>				<u>SWITCH</u>			
S4301	1-571-032-11	SWITCH, PUSH	(1 KEY)	S4401	1-692-431-21	SWITCH, TACTILE	
S4302	1-692-431-21	SWITCH, TACTILE		S4402	1-692-431-21	SWITCH, TACTILE	
S4303	1-692-431-21	SWITCH, TACTILE		S4403	1-692-431-21	SWITCH, TACTILE	
S4304	1-692-431-21	SWITCH, TACTILE		S4404	1-692-431-21	SWITCH, TACTILE	
S4305	1-692-431-21	SWITCH, TACTILE		S4405	1-692-431-21	SWITCH, TACTILE	
S4306	1-692-431-21	SWITCH, TACTILE		<b>K</b>			
S4308	1-692-431-21	SWITCH, TACTILE		* A-1385-186-A K BOARD, COMPLETE			
<b>H2</b>				4-382-854-11 SCREW (M3X10), P, SW (+)			
* A-1372-530-A H2 BOARD, MOUNTED				<u>CAPACITOR</u>			
<u>CAPACITOR</u>				C7201	1-136-495-11	FILM	0.068MF 5% 50V
C4402	1-102-125-00	CERAMIC CHIP	0.0047MF 10% 50V	C7202	1-136-495-11	FILM	0.068MF 5% 50V
<u>CONNECTOR</u>				C7203	1-126-961-11	ELECT	2.2MF 20% 50V
CN4401*	1-564-506-11	PLUG, CONNECTOR	3P	C7204	1-126-961-11	ELECT	2.2MF 20% 50V
CN4404*	1-564-513-11	PLUG, CONNECTOR	10P	C7205	1-126-934-11	ELECT	220MF 20% 16V
<u>DIODE</u>				C7206	1-126-934-11	ELECT	220MF 20% 16V
D4401	8-719-108-12	DIODE RD9.1EW		C7207	1-104-664-11	ELECT	47MF 20% 16V
D4402	8-719-108-12	DIODE RD9.1EW		C7208	1-104-664-11	ELECT	47MF 20% 16V
D4403	8-719-108-12	DIODE RD9.1EW		C7209	1-126-382-11	ELECT	100MF 20% 16V
D4404	8-719-108-12	DIODE RD9.1EW		C7210	1-126-382-11	ELECT	100MF 20% 16V
D4405	8-719-108-12	DIODE RD9.1EW		C7211	1-126-961-11	ELECT	2.2MF 20% 50V
D4406	8-719-108-12	DIODE RD9.1EW		C7212	1-126-961-11	ELECT	2.2MF 20% 50V
<u>JACK</u>				C7213	1-136-167-00	FILM	0.15MF 5% 50V
J4401	1-774-186-11	TERMINAL BLOCK, S(LIGHT ANGLE)		C7214	1-136-171-00	FILM	0.33MF 5% 50V
<u>RESISTOR</u>				C7215	1-126-960-11	ELECT	1MF 20% 50V
R4401	1-215-426-00	METAL	1.6K 1% 1/4W	C7216	1-126-960-11	ELECT	1MF 20% 50V
R4402	1-215-430-00	METAL	2.4K 1% 1/4W	C7217	1-136-167-00	FILM	0.15MF 5% 50V
R4403	1-215-434-00	METAL	3.6K 1% 1/4W	C7219	1-126-960-11	ELECT	1MF 20% 50V
R4404	1-249-429-11	CARBON	10K 5% 1/4W	C7220	1-136-171-00	FILM	0.33MF 5% 50V
R4409	1-247-887-00	CARBON	220K 5% 1/4W	C7221	1-136-165-00	FILM	0.1MF 5% 50V
R4410	1-247-887-00	CARBON	220K 5% 1/4W	C7222	1-136-165-00	FILM	0.1MF 5% 50V
				C7224	1-136-165-00	FILM	0.1MF 5% 50V
				C7225	1-136-165-00	FILM	0.1MF 5% 50V
				C7226	1-136-165-00	FILM	0.1MF 5% 50V
				C7227	1-127-520-11	ELECT	68MF 20% 20V
				C7228	1-111-097-11	ELECT	2200MF 20% 35V
				C7229	1-127-520-11	ELECT	68MF 20% 20V
				C7230	1-111-097-11	ELECT	2200MF 20% 35V
				C7231	1-136-165-00	FILM	0.1MF 5% 50V
				C7232	1-102-114-00	CERAMIC CHIP	470PF 10% 50V
				C7233	1-102-114-00	CERAMIC CHIP	470PF 10% 50V
				C7234	1-136-165-00	FILM	0.1MF 5% 50V
				C7235	1-136-165-00	FILM	0.1MF 5% 50V
				C7236	1-126-955-11	ELECT	4700MF 20% 35V



**Note:** The components identified by shading and mark  $\Delta$  are critical for safety. Replace only with part number specified.

**Note:** Les composants identifiés par un trame et une marque  $\Delta$  sont critiques pour la sécurité. Ne les remplacer que par une pièce portant le numéro spécifié.

REF.NO.	PART NO.	DESCRIPTION	REMARK	REF.NO.	PART NO.	DESCRIPTION	REMARK
C7237	1-126-955-11	ELECT	4700MF 20% 35V	R7222	1-215-439-00	METAL	5.6K 1% 1/4W
C7240	1-126-959-11	ELECT	0.47MF 20% 50V	R7224	1-215-428-00	METAL	2K 1% 1/4W
C7241	1-126-933-11	ELECT	100MF 20% 16V	R7225	1-215-396-00	METAL	91 1% 1/4W
<b>CONNECTOR</b>				R7227	1-215-431-00	METAL	2.7K 1% 1/4W
CN7201*	1-691-632-21	CONNECTOR, BOARD TO BOARD	15P	R7229	1-215-435-00	METAL	3.9K 1% 1/4W
CN7202*	1-564-520-11	PLUG, CONNECTOR	5P	R7231	1-215-437-00	METAL	4.7K 1% 1/4W
CN7203*	1-564-523-11	PLUG, CONNECTOR	8P	R7233	1-215-396-00	METAL	91 1% 1/4W
<b>DIODE</b>				R7234	1-215-428-00	METAL	2K 1% 1/4W
D7201	8-719-991-33	DIODE 1SS133T-77		R7236	1-249-385-11	CARBON	2.2 5% 1/4W F
D7202	8-719-991-33	DIODE 1SS133T-77		R7239	1-249-385-11	CARBON	2.2 5% 1/4W F
D7203	8-719-991-33	DIODE 1SS133T-77		R7240	1-249-385-11	CARBON	2.2 5% 1/4W F
<b>IC</b>				R7241	1-249-413-11	CARBON	470 5% 1/4W
IC7201	8-759-980-43	IC TDA2009A		R7242	1-247-807-31	CARBON	100 5% 1/4W
IC7202	8-759-980-43	IC TDA2009A		R7243	1-247-863-91	CARBON	22K 5% 1/4W
<b>IC LINK</b>				R7245	1-249-441-11	CARBON	100K 5% 1/4W
PS7201 $\Delta$	1-532-984-11	LINK, IC	2A/90V	R7250	1-249-385-11	CARBON	2.2 5% 1/4W F
PS7202 $\Delta$	1-532-984-11	LINK, IC	2A/90V	R7260	1-249-425-11	CARBON	4.7K 5% 1/4W
<b>TRANSISTOR</b>				<b>M</b>			
Q7201	8-729-119-78	TRANSISTOR 2SC2785-HFE		* A-1306-562-A M BOARD, COMPLETE			
Q7202	8-729-119-78	TRANSISTOR 2SC2785-HFE		4-382-854-11	SCREW (M3X10), P, SW (+)		
Q7203	8-729-119-78	TRANSISTOR 2SC2785-HFE		<b>CAPACITOR</b>			
Q7204	8-729-119-76	TRANSISTOR 2SA1175-HFE		C1301	1-126-918-11	ELECT	4700MF 20% 6.3V
<b>RESISTOR</b>				C1302	1-104-664-11	ELECT	47MF 20% 16V
R7201	1-215-444-00	METAL	9.1K 1% 1/4W	C1303	1-126-963-11	ELECT	4.7MF 20% 50V
R7202	1-215-437-00	METAL	4.7K 1% 1/4W	C1304	1-126-960-11	ELECT	1MF 20% 50V
R7204	1-247-807-31	CARBON	100 5% 1/4W	C1305	1-163-001-11	CERAMIC CHIP	220PF 10% 50V
R7206	1-215-444-00	METAL	9.1K 1% 1/4W	C1306	1-164-346-11	CERAMIC CHIP	1MF 16V
R7207	1-249-413-11	CARBON	470 5% 1/4W	C1307	1-104-664-11	ELECT	47MF 20% 16V
R7208	1-215-383-00	METAL	27 1% 1/4W	C1308	1-126-964-11	ELECT	10MF 20% 50V
R7209	1-215-383-00	METAL	27 1% 1/4W	C1310	1-126-965-11	ELECT	22MF 20% 50V
R7210	1-215-387-00	METAL	39 1% 1/4W	C1311	1-163-092-00	CERAMIC CHIP	9PF 0.25PF 50V
R7211	1-215-387-00	METAL	39 1% 1/4W	C1312	1-163-092-00	CERAMIC CHIP	9PF 0.25PF 50V
R7212	1-215-435-00	METAL	3.9K 1% 1/4W	C1314	1-164-004-11	CERAMIC CHIP	0.1MF 10% 25V
R7213	1-215-417-00	METAL	680 1% 1/4W	C1315	1-164-004-11	CERAMIC CHIP	0.1MF 10% 25V
R7214	1-215-435-00	METAL	3.9K 1% 1/4W	C1316	1-164-004-11	CERAMIC CHIP	0.1MF 10% 25V
R7215	1-215-417-00	METAL	680 1% 1/4W	C1317	1-163-145-00	CERAMIC CHIP	0.0015MF 5% 50V
R7217	1-215-439-00	METAL	5.6K 1% 1/4W	C1318	1-136-165-00	FILM	0.1MF 5% 50V
R7218	1-215-435-00	METAL	3.9K 1% 1/4W	C1319	1-163-117-00	CERAMIC CHIP	100PF 5% 50V
R7220	1-215-431-00	METAL	2.7K 1% 1/4W	C1320	1-126-964-11	ELECT	10MF 20% 50V
				C1322	1-164-004-11	CERAMIC CHIP	0.1MF 10% 25V
				C1323	1-164-004-11	CERAMIC CHIP	0.1MF 10% 25V
				C1324	1-164-004-11	CERAMIC CHIP	0.1MF 10% 25V
				C1325	1-164-004-11	CERAMIC CHIP	0.1MF 10% 25V
				C1326	1-126-382-11	ELECT	100MF 20% 16V
				C1327	1-163-239-11	CERAMIC CHIP	33PF 5% 50V



REF.NO.	PART NO.	DESCRIPTION		REMARK		REF.NO.	PART NO.	DESCRIPTION		REMARK
C1328	1-164-004-11	CERAMIC CHIP	0.1MF	10%	25V	C1622	1-163-809-11	CERAMIC CHIP	0.047MF	10% 25V
C1329	1-107-823-11	CERAMIC CHIP	0.47MF	10%	16V	C1623	1-126-935-11	ELECT	470MF	20% 16V
C1330	1-163-021-91	CERAMIC CHIP	0.01MF	10%	50V	C1626	1-106-351-00	MYLAR	0.0022MF	20% 200V
C1331	1-163-031-11	CERAMIC CHIP	0.01MF		50V	C1627	1-136-165-00	FILM	0.1MF	5% 50V
C1332	1-163-239-11	CERAMIC CHIP	33PF	5%	50V	C1628	1-126-967-11	ELECT	47MF	20% 50V
C1333	1-163-251-11	CERAMIC CHIP	100PF	5%	50V	C1701	1-127-515-11	ELECT	47MF	20% 6.3V
C1334	1-164-004-11	CERAMIC CHIP	0.1MF	10%	25V	C1702	1-126-964-11	ELECT	10MF	20% 50V
C1335	1-163-275-11	CERAMIC CHIP	0.001MF	5%	50V	C1703	1-126-964-11	ELECT	10MF	20% 50V
C1336	1-126-967-11	ELECT	47MF	20%	50V	C1704	1-126-964-11	ELECT	10MF	20% 50V
C1337	1-163-021-91	CERAMIC CHIP	0.01MF	10%	50V	C1707	1-126-964-11	ELECT	10MF	20% 50V
C1338	1-126-382-11	ELECT	100MF	20%	16V	C1708	1-136-479-11	FILM	0.001MF	5% 50V
C1340	1-163-275-11	CERAMIC CHIP	0.001MF	5%	50V	C1709	1-137-358-11	FILM	0.0001MF	5% 50V
C1341	1-163-133-00	CERAMIC CHIP	470PF	5%	50V	C1710	1-136-153-00	FILM	0.01MF	5% 50V
C1342	1-163-017-00	CERAMIC CHIP	0.0047MF	10%	50V	C1711	1-126-382-11	ELECT	100MF	20% 16V
C1401	1-126-382-11	ELECT	100MF	20%	16V	C1712	1-107-714-11	ELECT	10MF	20% 16V
C1403	1-136-165-00	FILM	0.1MF	5%	50V	C1714	1-136-479-11	FILM	0.001MF	5% 50V
C1404	1-163-251-11	CERAMIC CHIP	100PF	5%	50V	C1722	1-163-017-00	CERAMIC CHIP	0.0047MF	10% 50V
C1405	1-163-127-00	CERAMIC CHIP	270PF	5%	50V	C1801	1-126-964-11	ELECT	10MF	20% 50V
C1406	1-136-171-00	FILM	0.33MF	5%	50V	C1802	1-126-967-11	ELECT	47MF	20% 50V
C1408	1-126-382-11	ELECT	100MF	20%	16V	C1803	1-136-177-00	FILM	1MF	5% 50V
C1410	1-136-177-00	FILM	1MF	5%	50V	C1804	1-126-967-11	ELECT	47MF	20% 50V
C1411	1-163-243-11	CERAMIC CHIP	47PF	5%	50V	C1805	1-136-165-00	FILM	0.1MF	5% 50V
C1501	1-136-161-00	FILM	0.047MF	5%	50V	C1806	1-126-967-11	ELECT	47MF	20% 50V
C1502	1-104-664-11	ELECT	47MF	20%	16V	C1807	1-136-177-00	FILM	1MF	5% 50V
C1503	1-136-161-00	FILM	0.047MF	5%	50V	C1808	1-136-161-00	FILM	0.047MF	5% 50V
C1504	1-136-153-00	FILM	0.01MF	5%	50V	C1809	1-136-479-11	FILM	0.001MF	2% 50V
C1505	1-163-009-11	CERAMIC CHIP	0.001MF	10%	50V	C1810	1-136-161-00	FILM	0.047MF	5% 50V
C1506	1-136-153-00	FILM	0.01MF	5%	50V	C1812	1-126-964-11	ELECT	10MF	20% 50V
C1507	1-163-021-91	CERAMIC CHIP	0.01MF	10%	50V	C1813	1-163-117-00	CERAMIC CHIP	100PF	5% 50V
C1508	1-126-960-11	ELECT	1MF	20%	50V	C1814	1-137-194-81	FILM	0.47MF	5% 50V
C1509	1-136-177-00	FILM	1MF	5%	50V	C1815	1-136-161-00	FILM	0.047MF	5% 50V
C1511	1-137-194-81	FILM	0.47MF	5%	50V	C1816	1-136-161-00	FILM	0.047MF	5% 50V
C1601	1-136-153-00	FILM	0.01MF	5%	50V	C1817	1-130-479-00	MYLAR	0.0047MF	5% 50V
C1602	1-136-153-00	FILM	0.01MF	5%	50V	C1820	1-137-372-11	FILM	0.022MF	5% 50V
C1603	1-104-665-11	ELECT	100MF	20%	25V	C1821	1-137-194-81	FILM	0.47MF	5% 50V
C1605	1-136-558-11	FILM	0.0039MF	5%	630V	C1823	1-126-967-11	ELECT	47MF	20% 50V
C1607	1-129-702-00	FILM	0.001MF	5%	630V	C1824	1-136-479-11	FILM	0.001MF	5% 50V
C1608	1-130-892-00	FILM	0.015MF	3%	100V	C1825	1-130-479-00	MYLAR	0.0047MF	5% 50V
C1609	1-104-665-11	ELECT	100MF	20%	25V	C1826	1-137-370-11	FILM	0.01MF	5% 50V
C1610	1-137-194-81	FILM	0.47MF	5%	50V	C1901	1-126-964-11	ELECT	10MF	20% 50V
C1611	1-136-165-00	FILM	0.1MF	5%	50V	C1902	1-126-964-11	ELECT	10MF	20% 50V
C1613	1-130-477-00	MYLAR	0.0033MF	5%	50V	C1903	1-126-964-11	ELECT	10MF	20% 50V
C1614	1-136-161-00	FILM	0.047MF	5%	50V	C1904	1-126-963-11	ELECT	4.7MF	20% 50V
C1615	1-136-157-00	FILM	0.022MF	5%	50V	C1905	1-126-963-11	ELECT	4.7MF	20% 50V
C1616	1-136-155-00	FILM	0.015MF	5%	50V	C1906	1-126-968-11	ELECT	100MF	20% 50V
C1617	1-136-165-00	FILM	0.1MF	5%	50V	C1907	1-126-964-11	ELECT	10MF	20% 50V
C1618	1-136-153-00	FILM	0.01MF	5%	50V	C1908	1-126-960-11	ELECT	1MF	20% 50V
C1620	1-126-960-11	ELECT	1MF	20%	50V	C1909	1-126-964-11	ELECT	10MF	20% 50V
C1621	1-136-153-00	FILM	0.01MF	5%	50V	C1911	1-126-960-11	ELECT	1MF	20% 50V



<u>REF.NO.</u>	<u>PART NO.</u>	<u>DESCRIPTION</u>	<u>REMARK</u>	<u>REF.NO.</u>	<u>PART NO.</u>	<u>DESCRIPTION</u>	<u>REMARK</u>
<u>CONNECTOR</u>							
CN1301*	1-900-240-33	CONNECTOR ASSY, MICRO PRESS	10P	D1903	8-719-981-94	DIODE MTZJ-2.7A	
CN1302*	1-900-240-33	CONNECTOR ASSY, MICRO PRESS	10P	D1904	8-719-981-94	DIODE MTZJ-2.7A	
CN1303*	1-900-240-33	CONNECTOR ASSY, MICRO PRESS	10P	D1905	8-719-923-91	DIODE MTZJ-T-77-16A	
CN1304*	1-900-240-33	CONNECTOR ASSY, MICRO PRESS	10P	D1906	8-719-991-33	DIODE 1SS133T-77	
CN1305*	1-900-240-33	CONNECTOR ASSY, MICRO PRESS	10P	<u>FERRITE BEAD</u>			
CN1306*	1-900-240-33	CONNECTOR ASSY, MICRO PRESS	10P	FB1301	1-414-235-11	INDUCTOR CHIP	
CN1401*	1-564-506-11	PLUG, CONNECTOR	3P	FB1302	1-414-235-11	INDUCTOR CHIP	
CN1901*	1-564-506-11	PLUG, CONNECTOR	3P	FB1303	1-216-295-91	SHORT	
CN1902*	1-564-512-11	PLUG, CONNECTOR	9P	FB1304	1-414-235-11	INDUCTOR CHIP	
<u>DIODE</u>				FB1305	1-414-235-11	INDUCTOR CHIP	
D1301	8-719-510-02	DIODE D1NS4		FB1306	1-414-235-11	INDUCTOR CHIP	
D1302	8-719-800-76	DIODE 1SS226		FB1307	1-414-235-11	INDUCTOR CHIP	
D1303	8-719-991-33	DIODE 1SS133T-77		FB1308	1-414-235-11	INDUCTOR CHIP	
D1304	8-719-025-31	DIODE 02CZ5.6-TE85L		FB1309	1-414-235-11	INDUCTOR CHIP	
D1305	8-719-800-76	DIODE 1SS226		<u>FILTER</u>			
D1307	8-719-991-33	DIODE 1SS133T-77		FL1301	1-233-513-21	FILTER, EMI	
D1310	8-719-991-33	DIODE 1SS133T-77		<u>IC</u>			
D1401	8-719-991-33	DIODE 1SS133T-77		IC1301	8-759-350-42	IC PST9127NL	
D1403	8-719-923-78	DIODE MTZJ-T-77-12		IC1302	8-759-273-87	IC NJM2901V(TE2)	
D1404	8-719-923-78	DIODE MTZJ-T-77-12		IC1303	8-759-701-59	IC NJM78M09FA	
D1407	8-719-991-33	DIODE 1SS133T-77		IC1304	8-759-527-76	IC M24C08-MN6T	
D1501	8-719-991-33	DIODE 1SS133T-77		IC1305	8-759-421-42	IC SDA9361	
D1502	8-719-991-33	DIODE 1SS133T-77		IC1306	8-759-239-58	IC TC74HC221AF	
D1503	8-719-991-33	DIODE 1SS133T-77		IC1401	8-759-903-16	IC LM318P	
D1504	8-719-991-33	DIODE 1SS133T-77		IC1402	8-759-478-66	IC CXA8070P	
D1505	8-719-991-33	DIODE 1SS133T-77		IC1502	8-759-273-87	IC NJM2901V(TE2)	
D1603	8-719-991-33	DIODE 1SS133T-77		IC1503	8-759-337-41	IC NJM2902V(TE2)	
D1604	8-719-063-70	DIODE D1NL20U		IC1601	8-759-803-42	IC LA6500-FA	
D1609	8-719-063-70	DIODE D1NL20U		IC1602	8-759-803-42	IC LA6500-FA	
D1702	8-719-991-33	DIODE 1SS133T-77		IC1603	8-759-700-07	IC NJM2903M	
D1801	8-719-991-33	DIODE 1SS133T-77		IC1604	8-752-074-64	IC CXA2026AS	
D1802	8-719-991-33	DIODE 1SS133T-77		IC1605	8-759-337-41	IC NJM2902V(TE2)	
D1803	8-719-109-72	DIODE RD3.9ESB2		IC1606	8-759-929-65	IC LM7912CT	
D1805	8-719-981-99	DIODE MTZJ-3.3		IC1701	8-759-426-18	IC MB88141PF-ER	
D1809	8-719-991-33	DIODE 1SS133T-77		IC1702	8-752-072-94	IC CXA1875AM-T4	
D1812	8-719-991-33	DIODE 1SS133T-77		IC1703	8-759-251-31	IC CA0007AM	
D1813	8-719-991-33	DIODE 1SS133T-77		IC1704	8-759-907-81	IC SN74LS221NS	
D1814	8-719-991-33	DIODE 1SS133T-77		IC1705	8-759-273-87	IC NJM2901V(TE2)	
D1815	8-719-991-33	DIODE 1SS133T-77		IC1802	8-759-325-48	IC CA0005AD	
D1816	8-719-991-33	DIODE 1SS133T-77		IC1803	8-759-273-87	IC NJM2901V(TE2)	
D1817	8-719-991-33	DIODE 1SS133T-77		IC1901	8-759-822-38	IC LA6510	
D1818	8-719-991-33	DIODE 1SS133T-77		IC1902	8-759-251-31	IC CA0007AM	
D1819	8-719-991-33	DIODE 1SS133T-77		IC1903	8-759-822-38	IC LA6510	
D1901	8-719-510-02	DIODE D1NS4					
D1902	8-719-991-33	DIODE 1SS133T-77					



REF.NO.	PART NO.	DESCRIPTION	REMARK	REF.NO.	PART NO.	DESCRIPTION	REMARK
<b>CHIP CONDUCTOR</b>							
JR1305	1-216-295-91	SHORT		Q1811	1-801-806-11	TRANSISTOR DTC144EKA-T146	
JR1306	1-216-295-91	SHORT		Q1813	8-729-422-27	TRANSISTOR 2SD601A-Q	
JR1307	1-216-295-91	SHORT		Q1814	8-729-422-27	TRANSISTOR 2SD601A-Q	
JR1701	1-216-295-91	SHORT		Q1815	8-729-422-27	TRANSISTOR 2SD601A-Q	
				Q1901	8-729-422-27	TRANSISTOR 2SD601A-Q	
<b>COIL</b>							
L1301	1-410-671-31	INDUCTOR CHIP	47UH	Q1902	8-729-422-27	TRANSISTOR 2SD601A-Q	
L1302	1-410-671-31	INDUCTOR CHIP	47UH	Q1903	8-729-422-27	TRANSISTOR 2SD601A-Q	
L1601	1-406-989-21	INDUCTOR CHIP	10MMH	Q1904	8-729-422-27	TRANSISTOR 2SD601A-Q	
L1602	1-406-989-21	INDUCTOR CHIP	10MMH	Q1905	8-729-216-22	TRANSISTOR 2SA1162-G	
				Q1906	8-729-216-22	TRANSISTOR 2SA1162-G	
				<b>RESISTOR</b>			
				R1301	1-216-041-00	RES, CHIP	470 5% 1/10W
				R1302	1-216-065-91	RES, CHIP	4.7K 5% 1/10W
				R1303	1-208-798-11	RES, CHIP	4.7K 0.50% 1/10W
				R1304	1-216-073-00	RES, CHIP	10K 5% 1/10W
				R1305	1-216-049-91	RES, CHIP	1K 5% 1/10W
				R1306	1-216-061-00	RES, CHIP	3.3K 5% 1/10W
				R1307	1-216-089-91	RES, CHIP	47K 5% 1/10W
				R1308	1-216-073-00	RES, CHIP	10K 5% 1/10W
				R1311	1-216-073-00	RES, CHIP	10K 5% 1/10W
				R1312	1-216-077-00	RES, CHIP	15K 5% 1/10W
				R1313	1-208-806-11	RES, CHIP	10K 0.50% 1/10W
				R1314	1-208-798-11	RES, CHIP	4.7K 0.50% 1/10W
				R1315	1-216-049-91	RES, CHIP	1K 5% 1/10W
				R1316	1-216-025-91	RES, CHIP	100 5% 1/10W
				R1317	1-208-798-11	RES, CHIP	4.7K 0.50% 1/10W
				R1318	1-216-295-91	SHORT	
				R1319	1-216-073-00	RES, CHIP	10K 5% 1/10W
				R1320	1-216-089-91	RES, CHIP	47K 5% 1/10W
				R1321	1-216-057-00	RES, CHIP	2.2K 5% 1/10W
				R1322	1-216-057-00	RES, CHIP	2.2K 5% 1/10W
				R1323	1-216-033-00	RES, CHIP	220 5% 1/10W
				R1324	1-216-295-91	SHORT	
				R1325	1-216-295-91	SHORT	
				R1326	1-216-033-00	RES, CHIP	220 5% 1/10W
				R1327	1-216-033-00	RES, CHIP	220 5% 1/10W
				R1328	1-216-025-91	RES, CHIP	100 5% 1/10W
				R1331	1-216-295-91	SHORT	
				R1332	1-216-081-00	RES, CHIP	22K 5% 1/10W
				R1333	1-216-041-00	RES, CHIP	470 5% 1/10W
				R1334	1-216-069-00	RES, CHIP	6.8K 5% 1/10W
				R1335	1-216-073-00	RES, CHIP	10K 5% 1/10W
				R1336	1-216-055-00	RES, CHIP	1.8K 5% 1/10W
				R1337	1-216-067-00	RES, CHIP	5.6K 5% 1/10W
				R1338	1-216-065-91	RES, CHIP	4.7K 5% 1/10W
				R1340	1-216-065-91	RES, CHIP	4.7K 5% 1/10W
				Q1301	8-729-422-27	TRANSISTOR 2SD601A-Q	
				Q1302	8-729-216-22	TRANSISTOR 2SA1162-G	
				Q1303	8-729-216-22	TRANSISTOR 2SA1162-G	
				Q1305	8-729-422-27	TRANSISTOR 2SD601A-Q	
				Q1309	8-729-422-27	TRANSISTOR 2SD601A-Q	
				Q1312	8-729-422-27	TRANSISTOR 2SD601A-Q	
				Q1313	8-729-422-27	TRANSISTOR 2SD601A-Q	
				Q1401	8-729-017-06	TRANSISTOR 2SC4793	
				Q1402	8-729-017-05	TRANSISTOR 2SA1837	
				Q1501	8-729-422-27	TRANSISTOR 2SD601A-Q	
				Q1502	8-729-422-27	TRANSISTOR 2SD601A-Q	
				Q1503	8-729-216-22	TRANSISTOR 2SA1162-G	
				Q1505	8-729-422-27	TRANSISTOR 2SD601A-Q	
				Q1506	8-729-422-27	TRANSISTOR 2SD601A-Q	
				Q1507	8-729-216-22	TRANSISTOR 2SA1162-G	
				Q1508	8-729-422-27	TRANSISTOR 2SD601A-Q	
				Q1509	1-801-806-11	TRANSISTOR DTC144EKA-T146	
				Q1510	8-729-216-22	TRANSISTOR 2SA1162-G	
				Q1602	1-801-806-11	TRANSISTOR DTC144EKA-T146	
				Q1605	8-729-931-45	TRANSISTOR IRF614	
				Q1608	8-729-931-45	TRANSISTOR IRF614	
				Q1613	8-729-216-22	TRANSISTOR 2SA1162-G	
				Q1614	8-729-422-27	TRANSISTOR 2SD601A-Q	
				Q1615	8-729-216-22	TRANSISTOR 2SA1162-G	
				Q1617	8-729-422-27	TRANSISTOR 2SD601A-Q	
				Q1701	8-729-216-22	TRANSISTOR 2SA1162-G	
				Q1702	8-729-422-27	TRANSISTOR 2SD601A-Q	
				Q1703	8-729-216-22	TRANSISTOR 2SA1162-G	
				Q1801	8-729-216-22	TRANSISTOR 2SA1162-G	
				Q1802	8-729-216-22	TRANSISTOR 2SA1162-G	
				Q1803	8-729-216-22	TRANSISTOR 2SA1162-G	
				Q1804	8-729-216-22	TRANSISTOR 2SA1162-G	
				Q1810	1-801-806-11	TRANSISTOR DTC144EKA-T146	



<u>REF.NO.</u>	<u>PART NO.</u>	<u>DESCRIPTION</u>		<u>REMARK</u>		<u>REF.NO.</u>	<u>PART NO.</u>	<u>DESCRIPTION</u>		<u>REMARK</u>	
R1341	1-216-033-00	RES, CHIP	220	5%	1/10W	R1510	1-216-049-91	RES, CHIP	1K	5%	1/10W
R1343	1-216-049-91	RES, CHIP	1K	5%	1/10W	R1511	1-216-073-00	RES, CHIP	10K	5%	1/10W
R1344	1-216-295-91	SHORT				R1512	1-208-805-11	RES, CHIP	9.1K	0.50%	1/10W
R1347	1-216-295-91	SHORT				R1513	1-208-806-11	RES, CHIP	10K	0.50%	1/10W
R1348	1-216-025-91	RES, CHIP	100	5%	1/10W	R1514	1-216-081-00	RES, CHIP	22K	5%	1/10W
						R1515	1-216-081-00	RES, CHIP	22K	5%	1/10W
R1349	1-216-065-91	RES, CHIP	4.7K	5%	1/10W						
R1350	1-216-049-91	RES, CHIP	1K	5%	1/10W	R1516	1-216-049-91	RES, CHIP	1K	5%	1/10W
R1354	1-216-065-91	RES, CHIP	4.7K	5%	1/10W	R1517	1-216-113-00	RES, CHIP	470K	5%	1/10W
R1356	1-216-025-91	RES, CHIP	100	5%	1/10W	R1518	1-216-073-00	RES, CHIP	10K	5%	1/10W
R1357	1-216-025-91	RES, CHIP	100	5%	1/10W	R1520	1-216-065-91	RES, CHIP	4.7K	5%	1/10W
						R1523	1-216-089-91	RES, CHIP	47K	5%	1/10W
R1358	1-216-295-91	SHORT									
R1359	1-208-797-11	RES, CHIP	4.3K	0.50%	1/10W	R1525	1-208-806-11	RES, CHIP	10K	0.50%	1/10W
R1361	1-208-804-11	RES, CHIP	8.2K	0.50%	1/10W	R1526	1-216-073-00	RES, CHIP	10K	5%	1/10W
R1362	1-216-073-00	RES, CHIP	10K	5%	1/10W	R1528	1-216-089-91	RES, CHIP	47K	5%	1/10W
R1363	1-216-063-91	RES, CHIP	3.9K	5%	1/10W	R1529	1-216-081-00	RES, CHIP	22K	5%	1/10W
						R1530	1-216-065-91	RES, CHIP	4.7K	5%	1/10W
R1364	1-216-073-00	RES, CHIP	10K	5%	1/10W						
R1366	1-216-065-91	RES, CHIP	4.7K	5%	1/10W	R1532	1-216-025-91	RES, CHIP	100	5%	1/10W
R1367	1-216-089-91	RES, CHIP	47K	5%	1/10W	R1533	1-216-001-00	RES, CHIP	10	5%	1/10W
R1368	1-216-073-00	RES, CHIP	10K	5%	1/10W	R1535	1-216-065-91	RES, CHIP	4.7K	5%	1/10W
R1401	1-216-025-91	RES, CHIP	100	5%	1/10W	R1536	1-216-001-00	RES, CHIP	10	5%	1/10W
						R1537	1-249-389-11	CARBON	4.7	5%	1/4W F
R1402	1-216-025-91	RES, CHIP	100	5%	1/10W						
R1403	1-216-429-00	METAL OXIDE	270	5%	1W F	R1539	1-216-295-91	SHORT			
R1404	1-216-049-91	RES, CHIP	1K	5%	1/10W	R1541	1-216-295-91	SHORT			
R1405	1-208-776-11	RES, CHIP	560	0.50%	1/10W	R1601	1-249-395-11	CARBON	15	5%	1/4W F
R1406	1-208-798-11	RES, CHIP	4.7K	0.50%	1/10W	R1602	1-216-057-00	RES, CHIP	2.2K	5%	1/10W
						R1603	1-216-073-00	RES, CHIP	10K	5%	1/10W
R1407	1-208-798-11	RES, CHIP	4.7K	0.50%	1/10W						
R1408	1-216-073-00	RES, CHIP	10K	5%	1/10W	R1604	1-208-802-11	RES, CHIP	6.8K	0.50%	1/10W
R1409	1-216-295-91	SHORT				R1605	1-208-805-11	RES, CHIP	9.1K	0.50%	1/10W
R1410	1-208-782-11	RES, CHIP	1K	0.50%	1/10W	R1606	1-215-907-11	METAL OXIDE	22	5%	3W F
R1412	1-216-105-91	RES, CHIP	220K	5%	1/10W	R1607	1-216-073-00	RES, CHIP	10K	5%	1/10W
						R1608	1-208-808-11	RES, CHIP	12K	0.50%	1/10W
R1413	1-208-793-11	RES, CHIP	3K	0.50%	1/10W						
R1414	1-216-057-00	RES, CHIP	2.2K	5%	1/10W	R1610	1-216-057-00	RES, CHIP	2.2K	5%	1/10W
R1417	1-249-381-11	CARBON	1	5%	1/4W F	R1613	1-216-081-00	RES, CHIP	22K	5%	1/10W
R1418	1-215-886-11	METAL OXIDE	100	5%	2W F	R1614	1-249-401-11	CARBON	47	5%	1/4W F
R1419	1-216-393-00	METAL OXIDE	2.2	5%	3W F	R1615	1-216-113-00	RES, CHIP	470K	5%	1/10W
						R1616	1-216-073-00	RES, CHIP	10K	5%	1/10W
R1420	1-208-806-11	RES, CHIP	10K	0.50%	1/10W						
R1421	1-216-295-91	SHORT				R1617	1-216-049-91	RES, CHIP	1K	5%	1/10W
R1422	1-216-097-91	RES, CHIP	100K	5%	1/10W	R1629	1-208-806-11	RES, CHIP	10K	0.50%	1/10W
R1423	1-216-097-91	RES, CHIP	100K	5%	1/10W	R1630	1-208-812-11	RES, CHIP	18K	0.50%	1/10W
R1425	1-247-807-31	CARBON	100	5%	1/4W	R1631	1-208-822-11	RES, CHIP	47K	0.50%	1/10W
R1501	1-216-089-91	RES, CHIP	47K	5%	1/10W	R1632	1-216-061-00	RES, CHIP	3.3K	5%	1/10W
R1502	1-216-057-00	RES, CHIP	2.2K	5%	1/10W	R1633	1-216-081-00	RES, CHIP	22K	5%	1/10W
R1503	1-216-073-00	RES, CHIP	10K	5%	1/10W	R1634	1-216-045-00	RES, CHIP	680	5%	1/10W
R1504	1-249-389-11	CARBON	4.7	5%	1/4W F	R1635	1-208-788-11	RES, CHIP	1.8K	0.50%	1/10W
R1505	1-216-089-91	RES, CHIP	47K	5%	1/10W	R1636	1-216-061-00	RES, CHIP	3.3K	5%	1/10W
R1506	1-216-029-00	RES, CHIP	150	5%	1/10W	R1637	1-208-772-11	RES, CHIP	390	0.50%	1/10W
R1507	1-216-073-00	RES, CHIP	10K	5%	1/10W	R1638	1-216-065-91	RES, CHIP	4.7K	5%	1/10W
R1508	1-216-065-91	RES, CHIP	4.7K	5%	1/10W	R1639	1-216-113-00	RES, CHIP	470K	5%	1/10W
R1509	1-216-049-91	RES, CHIP	1K	5%	1/10W	R1640	1-208-790-11	RES, CHIP	2.2K	0.50%	1/10W





REF.NO.	PART NO.	DESCRIPTION	REMARK	REF.NO.	PART NO.	DESCRIPTION	REMARK
R1641	1-216-097-91	RES, CHIP	100K 5% 1/10W	R1731	1-208-820-11	RES, CHIP	39K 0.50% 1/10W
R1642	1-216-073-00	RES, CHIP	10K 5% 1/10W	R1732	1-216-089-91	RES, CHIP	47K 5% 1/10W
R1643	1-216-055-00	RES, CHIP	1.8K 5% 1/10W	R1733	1-216-073-00	RES, CHIP	10K 5% 1/10W
R1644	1-208-846-11	RES, CHIP	470K 0.50% 1/10W	R1734	1-216-073-00	RES, CHIP	10K 5% 1/10W
R1647	1-216-057-00	RES, CHIP	2.2K 5% 1/10W	R1735	1-216-073-00	RES, CHIP	10K 5% 1/10W
R1648	1-216-295-91	SHORT		R1736	1-216-073-00	RES, CHIP	10K 5% 1/10W
R1649	1-216-295-91	SHORT		R1737	1-216-049-91	RES, CHIP	1K 5% 1/10W
R1650	1-216-091-00	RES, CHIP	56K 5% 1/10W	R1738	1-216-089-91	RES, CHIP	47K 5% 1/10W
R1651	1-216-089-91	RES, CHIP	47K 5% 1/10W	R1739	1-216-065-91	RES, CHIP	4.7K 5% 1/10W
R1652	1-216-033-00	RES, CHIP	220 5% 1/10W	R1740	1-216-057-00	RES, CHIP	2.2K 5% 1/10W
R1653	1-216-089-91	RES, CHIP	47K 5% 1/10W	R1741	1-216-073-00	RES, CHIP	10K 5% 1/10W
R1654	1-216-109-00	RES, CHIP	330K 5% 1/10W	R1743	1-216-081-00	RES, CHIP	22K 5% 1/10W
R1655	1-216-025-91	RES, CHIP	100 5% 1/10W	R1744	1-216-073-00	RES, CHIP	10K 5% 1/10W
R1656	1-216-025-91	RES, CHIP	100 5% 1/10W	R1745	1-216-073-00	RES, CHIP	10K 5% 1/10W
R1657	1-208-817-11	RES, CHIP	30K 0.50% 1/10W	R1746	1-216-057-00	RES, CHIP	2.2K 5% 1/10W
R1658	1-208-812-11	RES, CHIP	18K 0.50% 1/10W	R1747	1-216-089-91	RES, CHIP	47K 5% 1/10W
R1661	1-216-105-91	RES, CHIP	220K 5% 1/10W	R1750	1-216-063-91	RES, CHIP	3.9K 5% 1/10W
R1662	1-216-073-00	RES, CHIP	10K 5% 1/10W	R1751	1-216-057-00	RES, CHIP	2.2K 5% 1/10W
R1665	1-216-073-00	RES, CHIP	10K 5% 1/10W	R1752	1-216-063-91	RES, CHIP	3.9K 5% 1/10W
R1666	1-208-817-11	RES, CHIP	30K 0.50% 1/10W	R1753	1-216-295-91	SHORT	
R1667	1-208-798-11	RES, CHIP	4.7K 0.50% 1/10W	R1802	1-216-081-00	RES, CHIP	22K 5% 1/10W
R1701	1-216-295-91	SHORT		R1803	1-208-782-11	RES, CHIP	1K 0.50% 1/10W
R1702	1-216-057-00	RES, CHIP	2.2K 5% 1/10W	R1804	1-215-417-00	METAL	680 1% 1/4W
R1703	1-216-057-00	RES, CHIP	2.2K 5% 1/10W	R1805	1-216-097-91	RES, CHIP	100K 5% 1/10W
R1704	1-216-057-00	RES, CHIP	2.2K 5% 1/10W	R1806	1-216-073-00	RES, CHIP	10K 5% 1/10W
R1705	1-216-057-00	RES, CHIP	2.2K 5% 1/10W	R1807	1-216-049-91	RES, CHIP	1K 5% 1/10W
R1706	1-216-025-91	RES, CHIP	100 5% 1/10W	R1808	1-216-097-91	RES, CHIP	100K 5% 1/10W
R1707	1-216-025-91	RES, CHIP	100 5% 1/10W	R1809	1-216-065-91	RES, CHIP	4.7K 5% 1/10W
R1708	1-216-025-91	RES, CHIP	100 5% 1/10W	R1810	1-208-806-11	RES, CHIP	10K 0.50% 1/10W
R1709	1-216-025-91	RES, CHIP	100 5% 1/10W	R1811	1-208-808-11	RES, CHIP	12K 0.50% 1/10W
R1710	1-216-295-91	SHORT		R1812	1-216-073-00	RES, CHIP	10K 5% 1/10W
R1711	1-216-295-91	SHORT		R1813	1-208-812-11	RES, CHIP	18K 0.50% 1/10W
R1712	1-216-295-91	SHORT		R1814	1-208-806-11	RES, CHIP	10K 0.50% 1/10W
R1713	1-216-049-91	RES, CHIP	1K 5% 1/10W	R1815	1-208-801-11	RES, CHIP	6.2K 0.50% 1/10W
R1714	1-216-071-00	RES, CHIP	8.2K 5% 1/10W	R1816	1-216-065-91	RES, CHIP	4.7K 5% 1/10W
R1715	1-216-049-91	RES, CHIP	1K 5% 1/10W	R1817	1-216-081-00	RES, CHIP	22K 5% 1/10W
R1716	1-216-025-91	RES, CHIP	100 5% 1/10W	R1818	1-208-806-11	RES, CHIP	10K 0.50% 1/10W
R1717	1-216-025-91	RES, CHIP	100 5% 1/10W	R1819	1-216-065-91	RES, CHIP	4.7K 5% 1/10W
R1718	1-216-025-91	RES, CHIP	100 5% 1/10W	R1820	1-216-049-91	RES, CHIP	1K 5% 1/10W
R1719	1-216-025-91	RES, CHIP	100 5% 1/10W	R1821	1-216-073-00	RES, CHIP	10K 5% 1/10W
R1720	1-216-049-91	RES, CHIP	1K 5% 1/10W	R1822	1-208-807-11	RES, CHIP	11K 0.50% 1/10W
R1721	1-216-057-00	RES, CHIP	2.2K 5% 1/10W	R1823	1-216-049-91	RES, CHIP	1K 5% 1/10W
R1722	1-216-057-00	RES, CHIP	2.2K 5% 1/10W	R1824	1-208-806-11	RES, CHIP	10K 0.50% 1/10W
R1723	1-216-057-00	RES, CHIP	2.2K 5% 1/10W	R1825	1-208-806-11	RES, CHIP	10K 0.50% 1/10W
R1724	1-216-075-00	RES, CHIP	12K 5% 1/10W	R1827	1-208-808-11	RES, CHIP	12K 0.50% 1/10W
R1725	1-216-073-00	RES, CHIP	10K 5% 1/10W	R1828	1-208-805-11	RES, CHIP	9.1K 0.50% 1/10W
R1727	1-249-401-11	CARBON	47 5% 1/4W F	R1829	1-208-806-11	RES, CHIP	10K 0.50% 1/10W
R1728	1-216-065-91	RES, CHIP	4.7K 5% 1/10W	R1830	1-208-802-11	RES, CHIP	6.8K 0.50% 1/10W
R1730	1-208-814-11	RES, CHIP	22K 0.50% 1/10W	R1831	1-208-798-11	RES, CHIP	4.7K 0.50% 1/10W



<u>REF.NO.</u>	<u>PART NO.</u>	<u>DESCRIPTION</u>		<u>REMARK</u>			<u>REF.NO.</u>	<u>PART NO.</u>	<u>DESCRIPTION</u>		<u>REMARK</u>
R1832	1-216-025-91	RES, CHIP	100	5%	1/10W		R1921	1-216-057-00	RES, CHIP	2.2K	5% 1/10W
R1833	1-249-417-11	CARBON	1K	5%	1/4W		R1922	1-216-097-91	RES, CHIP	100K	5% 1/10W
R1835	1-208-808-11	RES, CHIP	12K	0.50%	1/10W		R1923	1-216-049-91	RES, CHIP	1K	5% 1/10W
R1836	1-216-295-91	SHORT					R1924	1-216-073-00	RES, CHIP	10K	5% 1/10W
R1837	1-216-105-91	RES, CHIP	220K	5%	1/10W		R1925	1-216-075-00	RES, CHIP	12K	5% 1/10W
R1838	1-216-097-91	RES, CHIP	100K	5%	1/10W						
R1840	1-216-081-00	RES, CHIP	22K	5%	1/10W		R1926	1-216-073-00	RES, CHIP	10K	5% 1/10W
R1841	1-216-081-00	RES, CHIP	22K	5%	1/10W		R1927	1-216-073-00	RES, CHIP	10K	5% 1/10W
R1842	1-216-097-91	RES, CHIP	100K	5%	1/10W		R1928	1-208-785-11	RES, CHIP	1.3K	0.50% 1/10W
R1845	1-216-295-91	SHORT					R1929	1-216-097-91	RES, CHIP	100K	5% 1/10W
R1846	1-249-421-11	CARBON	2.2K	5%	1/4W		R1930	1-216-111-00	RES, CHIP	390K	5% 1/10W
R1851	1-249-421-11	CARBON	2.2K	5%	1/4W						
R1852	1-216-073-00	RES, CHIP	10K	5%	1/10W		R1931	1-208-806-11	RES, CHIP	10K	0.50% 1/10W
R1853	1-216-105-91	RES, CHIP	220K	5%	1/10W		R1932	1-208-800-11	RES, CHIP	5.6K	0.50% 1/10W
R1854	1-216-073-00	RES, CHIP	10K	5%	1/10W		R1933	1-208-810-11	RES, CHIP	15K	0.50% 1/10W
R1856	1-216-033-00	RES, CHIP	220	5%	1/10W		R1934	1-216-089-91	RES, CHIP	47K	5% 1/10W
R1857	1-216-049-91	RES, CHIP	1K	5%	1/10W		R1935	1-216-099-00	RES, CHIP	120K	5% 1/10W
R1858	1-216-295-91	SHORT									
R1859	1-216-073-00	RES, CHIP	10K	5%	1/10W		R1936	1-216-097-91	RES, CHIP	100K	5% 1/10W
R1860	1-216-073-00	RES, CHIP	10K	5%	1/10W		R1937	1-216-097-91	RES, CHIP	100K	5% 1/10W
R1861	1-216-073-00	RES, CHIP	10K	5%	1/10W		R1938	1-216-081-00	RES, CHIP	22K	5% 1/10W
R1862	1-216-075-00	RES, CHIP	12K	5%	1/10W		R1939	1-216-065-91	RES, CHIP	4.7K	5% 1/10W
R1863	1-208-770-11	RES, CHIP	330	0.50%	1/10W		R1940	1-216-065-91	RES, CHIP	4.7K	5% 1/10W
R1864	1-208-803-11	RES, CHIP	7.5K	0.50%	1/10W						
R1865	1-216-057-00	RES, CHIP	2.2K	5%	1/10W						
R1866	1-216-081-00	RES, CHIP	22K	5%	1/10W						
R1867	1-216-073-00	RES, CHIP	10K	5%	1/10W						
R1868	1-216-067-00	RES, CHIP	5.6K	5%	1/10W						
R1871	1-216-073-00	RES, CHIP	10K	5%	1/10W						
R1901	1-216-097-91	RES, CHIP	100K	5%	1/10W						
R1902	1-216-073-00	RES, CHIP	10K	5%	1/10W						
R1903	1-216-065-91	RES, CHIP	4.7K	5%	1/10W						
R1904	1-216-053-00	RES, CHIP	1.5K	5%	1/10W						
R1905	1-216-097-91	RES, CHIP	100K	5%	1/10W						
R1906	1-216-073-00	RES, CHIP	10K	5%	1/10W						
R1907	1-216-065-91	RES, CHIP	4.7K	5%	1/10W						
R1908	1-216-057-00	RES, CHIP	2.2K	5%	1/10W						
R1909	1-216-057-00	RES, CHIP	2.2K	5%	1/10W						
R1910	1-216-065-91	RES, CHIP	4.7K	5%	1/10W						
R1911	1-216-057-00	RES, CHIP	2.2K	5%	1/10W						
R1912	1-216-061-00	RES, CHIP	3.3K	5%	1/10W						
R1913	1-216-073-00	RES, CHIP	10K	5%	1/10W						
R1914	1-216-073-00	RES, CHIP	10K	5%	1/10W						
R1915	1-216-073-00	RES, CHIP	10K	5%	1/10W						
R1916	1-216-073-00	RES, CHIP	10K	5%	1/10W						
R1917	1-216-049-91	RES, CHIP	1K	5%	1/10W						
R1918	1-216-081-00	RES, CHIP	22K	5%	1/10W						
R1919	1-216-049-91	RES, CHIP	1K	5%	1/10W						
R1920	1-216-113-00	RES, CHIP	470K	5%	1/10W						

CRYSTAL

X1301 1-767-639-21 VIBRATOR, CRYSTAL



\* A-1373-699-A U BOARD, MOUNTED

CONNECTOR

CN2901\* 1-573-962-11 CONNECTOR (MALE) 50P

JACK

J2901 1-573-967-12 BLOCK, (S) TERMINAL

J2903 1-750-487-11 JACK BLOCK, PIN 2P

J2905 1-774-358-11 JACK BLOCK, PIN



REF.NO.	PART NO.	DESCRIPTION	REMARK	REF.NO.	PART NO.	DESCRIPTION	REMARK
<div style="border: 1px solid black; padding: 2px; display: inline-block; font-size: 2em; font-weight: bold; margin-right: 10px;">V</div> <hr style="border: 1px solid black; margin-top: 5px;"/> <p>* A-1347-151-A V BOARD, COMPLETE</p> <p>3-670-570-11 SPACER, SUPPORT</p> <p>* 4-061-610-01 CLIP (A), XMAS TREE</p> <p><u>CAPACITOR</u></p>							
C501	1-126-396-11	ELECT CHIP	47MF 20%	16V	C543	1-163-038-91	CERAMIC CHIP 0.1MF 25V
C502	1-163-038-91	CERAMIC CHIP	0.1MF	25V	C544	1-163-038-91	CERAMIC CHIP 0.1MF 25V
C503	1-126-396-11	ELECT	47MF 20%	16V	C545	1-163-038-91	CERAMIC CHIP 0.1MF 25V
C504	1-163-038-91	CERAMIC CHIP	0.1MF	25V	C546	1-163-038-91	CERAMIC CHIP 0.1MF 25V
C505	1-163-038-91	CERAMIC CHIP	0.1MF	25V	C547	1-163-038-91	CERAMIC CHIP 0.1MF 25V
C507	1-126-396-11	ELECT CHIP	47MF 20%	16V	C548	1-163-038-91	CERAMIC CHIP 0.1MF 25V
C508	1-163-038-91	CERAMIC CHIP	0.1MF	25V	C549	1-163-038-91	CERAMIC CHIP 0.1MF 25V
C509	1-126-204-11	ELECT CHIP	47MF 20%	16V	C550	1-126-206-11	ELECT CHIP 100MF 20% 6.3V
C510	1-164-489-11	CERAMIC CHIP	0.22MF 10%	16V	C552	1-163-038-91	CERAMIC CHIP 0.1MF 25V
C511	1-104-760-11	CERAMIC CHIP	0.047MF 10%	50V	C553	1-163-038-91	CERAMIC CHIP 0.1MF 25V
C512	1-126-204-11	ELECT CHIP	47MF 20%	16V	C554	1-126-204-11	ELECT CHIP 47MF 20% 16V
C513	1-163-038-91	CERAMIC CHIP	0.1MF	25V	C555	1-126-204-11	ELECT CHIP 47MF 20% 16V
C514	1-163-038-91	CERAMIC CHIP	0.1MF	25V	C556	1-164-004-11	CERAMIC CHIP 0.1MF 10% 25V
C515	1-104-601-11	ELECT CHIP	10MF 20%	10V	C557	1-124-779-00	ELECT CHIP 10MF 20% 16V
C516	1-104-601-11	ELECT CHIP	10MF 20%	10V	C558	1-126-204-11	ELECT CHIP 47MF 20% 16V
C517	1-104-601-11	ELECT CHIP	10MF 20%	10V	C559	1-163-038-91	CERAMIC CHIP 0.1MF 25V
C518	1-163-038-91	CERAMIC CHIP	0.1MF	25V	C560	1-163-038-91	CERAMIC CHIP 0.1MF 25V
C519	1-163-038-91	CERAMIC CHIP	0.1MF	25V	C561	1-163-038-91	CERAMIC CHIP 0.1MF 25V
C520	1-163-038-91	CERAMIC CHIP	0.1MF	25V	C562	1-163-038-91	CERAMIC CHIP 0.1MF 25V
C522	1-163-017-00	CERAMIC CHIP	0.0047MF 10%	50V	C563	1-163-038-91	CERAMIC CHIP 0.1MF 25V
C523	1-164-005-11	CERAMIC CHIP	0.47MF	16V	C564	1-163-038-91	CERAMIC CHIP 0.1MF 25V
C524	1-164-005-11	CERAMIC CHIP	0.47MF	16V	C565	1-163-038-91	CERAMIC CHIP 0.1MF 25V
C525	1-163-038-91	CERAMIC CHIP	0.1MF	25V	C566	1-163-038-91	CERAMIC CHIP 0.1MF 25V
C526	1-163-038-91	CERAMIC CHIP	0.1MF	25V	C568	1-163-038-91	CERAMIC CHIP 0.1MF 25V
C527	1-164-005-11	CERAMIC CHIP	0.47MF	16V	C569	1-126-204-11	ELECT CHIP 47MF 20% 16V
C528	1-163-038-91	CERAMIC CHIP	0.1MF	25V	C570	1-126-204-11	ELECT CHIP 47MF 20% 16V
C529	1-164-505-11	CERAMIC CHIP	2.2MF	16V	C591	1-163-038-91	CERAMIC CHIP 0.1MF 25V
C530	1-163-038-91	CERAMIC CHIP	0.1MF	25V	C598	1-126-396-11	ELECT CHIP 47MF 20% 16V
C531	1-163-038-91	CERAMIC CHIP	0.1MF	25V	C599	1-126-204-11	ELECT CHIP 47MF 20% 16V
C532	1-163-038-91	CERAMIC CHIP	0.1MF	25V	C600	1-102-125-00	CERAMIC 0.0047MF 10% 50V
C533	1-163-038-91	CERAMIC CHIP	0.1MF	25V	C601	1-163-038-91	CERAMIC CHIP 0.1MF 25V
C534	1-163-038-91	CERAMIC CHIP	0.1MF	25V	C605	1-126-204-11	ELECT CHIP 47MF 20% 16V
C535	1-126-396-11	ELECT CHIP	47MF 20%	16V	C606	1-163-038-91	CERAMIC CHIP 0.1MF 25V
C536	1-126-396-11	ELECT CHIP	47MF 20%	16V	C607	1-163-038-91	CERAMIC CHIP 0.1MF 25V
C537	1-107-823-11	CERAMIC CHIP	0.47MF 10%	16V	C608	1-163-021-91	CERAMIC CHIP 0.01MF 10% 50V
C538	1-104-760-11	CERAMIC CHIP	0.047MF 10%	50V	C610	1-163-038-91	CERAMIC CHIP 0.1MF 25V
C539	1-163-038-91	CERAMIC CHIP	0.1MF	25V	C611	1-163-038-91	CERAMIC CHIP 0.1MF 25V
C540	1-163-038-91	CERAMIC CHIP	0.1MF	25V	C612	1-163-038-91	CERAMIC CHIP 0.1MF 25V
C541	1-163-038-91	CERAMIC CHIP	0.1MF	25V	C613	1-126-396-11	ELECT CHIP 47MF 20% 16V
C542	1-163-038-91	CERAMIC CHIP	0.1MF	25V	C614	1-163-038-91	CERAMIC CHIP 0.1MF 25V
					C615	1-126-396-11	ELECT CHIP 47MF 20% 16V
					C616	1-163-038-91	CERAMIC CHIP 0.1MF 25V
					C617	1-163-038-91	CERAMIC CHIP 0.1MF 25V
					C618	1-163-038-91	CERAMIC CHIP 0.1MF 25V
					C619	1-163-038-91	CERAMIC CHIP 0.1MF 25V
					C620	1-163-038-91	CERAMIC CHIP 0.1MF 25V
					C621	1-163-038-91	CERAMIC CHIP 0.1MF 25V
					C622	1-163-038-91	CERAMIC CHIP 0.1MF 25V
					C623	1-163-038-91	CERAMIC CHIP 0.1MF 25V



<u>REF.NO.</u>	<u>PART NO.</u>	<u>DESCRIPTION</u>		<u>REMARK</u>			<u>REF.NO.</u>	<u>PART NO.</u>	<u>DESCRIPTION</u>		<u>REMARK</u>
C624	1-126-204-11	ELECT CHIP	47MF	20%	16V		C690	1-124-779-00	ELECT CHIP	10MF	20% 16V
C625	1-163-038-91	CERAMIC CHIP	0.1MF		25V		C696	1-124-779-00	ELECT CHIP	10MF	20% 16V
C626	1-163-038-91	CERAMIC CHIP	0.1MF		25V		C699	1-126-394-11	ELECT CHIP	10MF	20% 16V
C627	1-163-038-91	CERAMIC CHIP	0.1MF		25V		C701	1-163-038-91	CERAMIC CHIP	0.1MF	25V
C628	1-163-038-91	CERAMIC CHIP	0.1MF		25V		C703	1-163-038-91	CERAMIC CHIP	0.1MF	25V
C629	1-124-779-00	ELECT CHIP	10MF	20%	16V		C710	1-163-038-91	CERAMIC CHIP	0.1MF	25V
C630	1-163-038-91	CERAMIC CHIP	0.1MF		25V		C711	1-163-038-91	CERAMIC CHIP	0.1MF	25V
C631	1-163-038-91	CERAMIC CHIP	0.1MF		25V		C712	1-163-038-91	CERAMIC CHIP	0.1MF	25V
C632	1-124-779-00	ELECT CHIP	10MF	20%	16V		C713	1-163-038-91	CERAMIC CHIP	0.1MF	25V
C633	1-163-038-91	CERAMIC CHIP	0.1MF		25V		C714	1-163-038-91	CERAMIC CHIP	0.1MF	25V
C634	1-163-038-91	CERAMIC CHIP	0.1MF		25V		C715	1-163-038-91	CERAMIC CHIP	0.1MF	25V
C636	1-163-038-91	CERAMIC CHIP	0.1MF		25V		C716	1-163-038-91	CERAMIC CHIP	0.1MF	25V
C637	1-124-779-00	ELECT CHIP	10MF	20%	16V		C717	1-163-038-91	CERAMIC CHIP	0.1MF	25V
C638	1-163-038-91	CERAMIC CHIP	0.1MF		25V		C718	1-163-038-91	CERAMIC CHIP	0.1MF	25V
C639	1-124-779-00	ELECT CHIP	10MF	20%	16V		C719	1-163-038-91	CERAMIC CHIP	0.1MF	25V
C641	1-163-245-11	CERAMIC CHIP	56PF	5%	50V		C720	1-163-038-91	CERAMIC CHIP	0.1MF	25V
C642	1-126-204-11	ELECT CHIP	47MF	20%	16V		C721	1-163-038-91	CERAMIC CHIP	0.1MF	25V
C643	1-163-038-91	CERAMIC CHIP	0.1MF		25V		C722	1-163-038-91	CERAMIC CHIP	0.1MF	25V
C644	1-163-038-91	CERAMIC CHIP	0.1MF		25V		C724	1-163-038-91	CERAMIC CHIP	0.1MF	25V
C645	1-163-038-91	CERAMIC CHIP	0.1MF		25V		C725	1-163-038-91	CERAMIC CHIP	0.1MF	25V
C646	1-163-245-11	CERAMIC CHIP	56PF	5%	50V		C726	1-163-038-91	CERAMIC CHIP	0.1MF	25V
C647	1-163-038-91	CERAMIC CHIP	0.1MF		25V		C727	1-163-038-91	CERAMIC CHIP	0.1MF	25V
C648	1-126-396-11	ELECT CHIP	47MF	20%	16V		C728	1-163-038-91	CERAMIC CHIP	0.1MF	25V
C649	1-126-204-11	ELECT CHIP	47MF	20%	16V		C730	1-163-038-91	CERAMIC CHIP	0.1MF	25V
C650	1-126-204-11	ELECT CHIP	47MF	20%	16V		C731	1-163-038-91	CERAMIC CHIP	0.1MF	25V
C651	1-163-038-91	CERAMIC CHIP	0.1MF		25V		C732	1-163-038-91	CERAMIC CHIP	0.1MF	25V
C652	1-163-038-91	CERAMIC CHIP	0.1MF		25V		C733	1-163-038-91	CERAMIC CHIP	0.1MF	25V
C653	1-163-038-91	CERAMIC CHIP	0.1MF		25V		C734	1-163-038-91	CERAMIC CHIP	0.1MF	25V
C654	1-163-038-91	CERAMIC CHIP	0.1MF		25V		C735	1-163-038-91	CERAMIC CHIP	0.1MF	25V
C655	1-126-204-11	ELECT CHIP	47MF	20%	16V		C737	1-163-038-91	CERAMIC CHIP	0.1MF	25V
C656	1-163-038-91	CERAMIC CHIP	0.1MF		25V		C738	1-163-038-91	CERAMIC CHIP	0.1MF	25V
C657	1-163-038-91	CERAMIC CHIP	0.1MF		25V		C739	1-163-038-91	CERAMIC CHIP	0.1MF	25V
C659	1-126-396-11	ELECT CHIP	47MF	20%	16V		C740	1-163-038-91	CERAMIC CHIP	0.1MF	25V
C660	1-164-004-11	CERAMIC CHIP	0.1MF	10%	25V		C741	1-163-038-91	CERAMIC CHIP	0.1MF	25V
C662	1-163-038-91	CERAMIC CHIP	0.1MF		25V		C743	1-163-038-91	CERAMIC CHIP	0.1MF	25V
C664	1-164-004-11	CERAMIC CHIP	0.1MF	10%	25V		C744	1-163-038-91	CERAMIC CHIP	0.1MF	25V
C665	1-164-004-11	CERAMIC CHIP	0.1MF	10%	25V		C745	1-163-038-91	CERAMIC CHIP	0.1MF	25V
C669	1-163-038-91	CERAMIC CHIP	0.1MF		25V		C746	1-163-038-91	CERAMIC CHIP	0.1MF	25V
C670	1-163-038-91	CERAMIC CHIP	0.1MF		25V		C747	1-163-038-91	CERAMIC CHIP	0.1MF	25V
C671	1-163-038-91	CERAMIC CHIP	0.1MF		25V		C748	1-163-038-91	CERAMIC CHIP	0.1MF	25V
C673	1-164-005-11	CERAMIC CHIP	0.47MF		16V		C749	1-163-038-91	CERAMIC CHIP	0.1MF	25V
C675	1-163-038-91	CERAMIC CHIP	0.1MF		25V		C750	1-163-038-91	CERAMIC CHIP	0.1MF	25V
C676	1-163-038-91	CERAMIC CHIP	0.1MF		25V		C751	1-163-038-91	CERAMIC CHIP	0.1MF	25V
C677	1-163-038-91	CERAMIC CHIP	0.1MF		25V		C754	1-163-038-91	CERAMIC CHIP	0.1MF	25V
C678	1-163-038-91	CERAMIC CHIP	0.1MF		25V		C755	1-163-038-91	CERAMIC CHIP	0.1MF	25V
C679	1-127-515-11	ELECT CHIP	47MF	20%	6.3V		C756	1-163-038-91	CERAMIC CHIP	0.1MF	25V
C681	1-124-779-00	ELECT CHIP	10MF	20%	16V		C757	1-163-038-91	CERAMIC CHIP	0.1MF	25V
C683	1-126-607-11	ELECT CHIP	47MF	20%	4V		C758	1-163-038-91	CERAMIC CHIP	0.1MF	25V
C685	1-124-779-00	ELECT CHIP	10MF	20%	16V						



<u>REF.NO.</u>	<u>PART NO.</u>	<u>DESCRIPTION</u>	<u>REMARK</u>			<u>REF.NO.</u>	<u>PART NO.</u>	<u>DESCRIPTION</u>	<u>REMARK</u>		
C759	1-163-038-91	CERAMIC CHIP	0.1MF		25V	C879	1-163-038-91	CERAMIC CHIP	0.1MF		25V
C760	1-163-038-91	CERAMIC CHIP	0.1MF		25V	C880	1-126-396-11	ELECT CHIP	47MF	20%	16V
C761	1-163-038-91	CERAMIC CHIP	0.1MF		25V	C881	1-126-396-11	ELECT CHIP	47MF	20%	16V
C762	1-163-038-91	CERAMIC CHIP	0.1MF		25V	C882	1-124-779-00	ELECT CHIP	10MF	20%	16V
C763	1-163-038-91	CERAMIC CHIP	0.1MF		25V	C883	1-163-038-91	CERAMIC CHIP	0.1MF		25V
C764	1-163-038-91	CERAMIC CHIP	0.1MF		25V						
						C886	1-126-204-11	ELECT CHIP	47MF	20%	16V
C765	1-163-038-91	CERAMIC CHIP	0.1MF		25V	C889	1-126-396-11	ELECT CHIP	47MF	20%	16V
C766	1-163-038-91	CERAMIC CHIP	0.1MF		25V	C892	1-163-233-11	CERAMIC CHIP	18PF	5%	50V
C767	1-163-038-91	CERAMIC CHIP	0.1MF		25V	C893	1-163-231-11	CERAMIC CHIP	15PF	5%	50V
C768	1-163-038-91	CERAMIC CHIP	0.1MF		25V	C894	1-126-204-11	ELECT CHIP	47MF	20%	16V
C769	1-163-038-91	CERAMIC CHIP	0.1MF		25V						
						<u>CONNECTOR</u>					
C770	1-163-038-91	CERAMIC CHIP	0.1MF		25V	CN502	* 1-564-523-11	PLUG, CONNECTOR			8P
C771	1-163-038-91	CERAMIC CHIP	0.1MF		25V	CN503	1-573-301-21	CONNECTOR, BOARD TO BOARD			20P
C772	1-163-038-91	CERAMIC CHIP	0.1MF		25V	CN504	1-573-301-21	CONNECTOR, BOARD TO BOARD			20P
C773	1-163-038-91	CERAMIC CHIP	0.1MF		25V						
C774	1-163-038-91	CERAMIC CHIP	0.1MF		25V						
						<u>DIODE</u>					
C775	1-163-038-91	CERAMIC CHIP	0.1MF		25V	D501	8-719-422-12	DIODE MA8039			
C779	1-163-038-91	CERAMIC CHIP	0.1MF		25V	D502	8-719-404-49	DIODE MA111			
C780	1-126-392-11	ELECT CHIP	100MF	20%	6.3V	D503	8-719-404-49	DIODE MA111			
C790	1-124-779-00	ELECT CHIP	10MF	20%	16V	D504	8-719-025-33	DIODE 02CZ6.2-TE85L			
C791	1-110-501-11	CERAMIC CHIP	0.33MF	10%	16V	D505	8-719-025-33	DIODE 02CZ6.2-TE85L			
						D603	8-719-404-49	DIODE MA111			
C792	1-110-501-11	CERAMIC CHIP	0.33MF	10%	16V						
C808	1-126-204-11	ELECT CHIP	47MF	20%	16V						
C809	1-126-204-11	ELECT CHIP	47MF	20%	16V						
C812	1-126-204-11	ELECT CHIP	47MF	20%	16V						
C816	1-126-603-11	ELECT CHIP	4.7MF	20%	35V						
						<u>FERRITE BEAD</u>					
C817	1-163-021-91	CERAMIC CHIP	0.01MF	10%	50V	FB503	1-414-234-11	INDUCTOR CHIP			
C823	1-126-204-11	ELECT CHIP	47MF	20%	16V	FB504	1-414-234-11	INDUCTOR CHIP			
C834	1-126-204-11	ELECT CHIP	47MF	20%	16V	FB506	1-414-234-11	INDUCTOR CHIP			
C844	1-163-259-91	CERAMIC CHIP	220PF	5%	50V	FB508	1-414-234-11	INDUCTOR CHIP			
C845	1-163-133-00	CERAMIC CHIP	470PF	5%	50V	FB509	1-414-234-11	INDUCTOR CHIP			
						FB510	1-414-234-11	INDUCTOR CHIP			
C846	1-163-121-00	CERAMIC CHIP	150PF	5%	50V						
C847	1-163-121-00	CERAMIC CHIP	150PF	5%	50V						
C849	1-164-161-11	CERAMIC CHIP	0.0022MF	10%	50V						
C850	1-164-161-11	CERAMIC CHIP	0.0022MF	10%	50V						
C852	1-163-038-91	CERAMIC CHIP	0.1MF		25V						
						<u>FILTER</u>					
C853	1-164-690-91	CERAMIC CHIP	0.0022MF	5%	50V	FL601	1-233-876-11	FILTER, LOW PASS			
C854	1-164-690-91	CERAMIC CHIP	0.0022MF	5%	50V	FL602	1-233-876-11	FILTER, LOW PASS			
C857	1-126-964-11	ELECT CHIP	10MF	20%	50V	FL603	1-233-878-11	FILTER, LOW PASS			
C858	1-163-038-91	CERAMIC CHIP	0.1MF		25V	FL604	1-233-945-21	FILTER, LOW PASS			
C859	1-126-206-11	ELECT CHIP	100MF	20%	6.3V	FL605	1-233-945-21	FILTER, LOW PASS			
						FL606	1-233-945-21	FILTER, LOW PASS			
C860	1-163-038-91	CERAMIC CHIP	0.1MF		25V	FL607	1-233-944-21	FILTER, LOW PASS			
C861	1-126-964-11	ELECT	10MF	20%	50V	FL608	1-233-944-21	FILTER, LOW PASS			
C862	1-126-964-11	ELECT	10MF	20%	50V						
C863	1-164-005-11	CERAMIC CHIP	0.47MF		25V						
C869	1-164-005-11	CERAMIC CHIP	0.47MF		25V						
C876	1-163-038-91	CERAMIC CHIP	0.1MF		25V						
C878	1-163-038-91	CERAMIC CHIP	0.1MF		25V						



<u>REF.NO.</u>	<u>PART NO.</u>	<u>DESCRIPTION</u>	<u>REMARK</u>	<u>REF.NO.</u>	<u>PART NO.</u>	<u>DESCRIPTION</u>	<u>REMARK</u>
<u>IC</u>				L511	1-414-754-11	INDUCTOR CHIP 10UH	
IC501	8-759-467-22	IC MSM548331TS-K		L512	1-414-754-11	INDUCTOR CHIP 10UH	
IC502	8-759-467-22	IC MSM548331TS-K		L513	1-412-006-31	INDUCTOR CHIP 10UH	
IC503	8-759-295-09	IC TLC2932IPW		L514	1-412-006-31	INDUCTOR CHIP 10UH	
IC504	8-759-295-09	IC TLC2932IPW		L523	1-414-754-11	INDUCTOR CHIP 10UH	
IC505	8-759-295-09	IC TLC2932IPW		L525	1-412-010-41	INDUCTOR CHIP 22UH	
IC506	8-752-392-55	IC CXD2079Q		L531	1-414-754-11	INDUCTOR CHIP 10UH	
IC507	8-759-295-09	IC TLC2932IPW		L532	1-414-754-11	INDUCTOR CHIP 10UH	
IC508	8-759-062-66	IC TC7S66F		L533	1-414-754-11	INDUCTOR CHIP 10UH	
IC510	8-759-239-58	IC TC74HC221AF		L534	1-414-754-11	INDUCTOR CHIP 10UH	
IC511	8-759-011-65	IC MC74HC4053F		L535	1-414-754-11	INDUCTOR CHIP 10UH	
IC517	8-759-239-55	IC TC74HC123AF		L536	1-414-752-11	INDUCTOR CHIP 2.2UH	
IC518	8-759-011-65	IC MC74HC4053F		L537	1-414-754-11	INDUCTOR CHIP 10UH	
IC519	8-759-011-65	IC MC74HC4053F		L538	1-414-754-11	INDUCTOR CHIP 10UH	
IC521	8-759-822-99	IC L88MS05T-FA		L540	1-414-757-11	INDUCTOR CHIP 100UH	
IC525	8-759-352-91	IC PST9143NL		L542	1-414-757-11	INDUCTOR CHIP 100UH	
IC526	8-759-527-74	IC M24C02-MN6T		L543	1-414-754-11	INDUCTOR CHIP 10UH	
IC527	8-752-898-62	IC CXP852P32AQ-1-022		L544	1-414-754-11	INDUCTOR CHIP 10UH	
IC528	8-759-011-65	IC MC74HC4053F		L545	1-414-754-11	INDUCTOR CHIP 10UH	
IC529	8-759-011-64	IC MC74HC4052F		L546	1-414-754-11	INDUCTOR CHIP 10UH	
IC530	8-759-485-79	IC TC7SET08FU(TE85L)		L547	1-414-754-11	INDUCTOR CHIP 10UH	
IC531	8-759-485-79	IC TC7SET08FU(TE85L)		L550	1-412-537-31	INDUCTOR 100UH	
IC532	8-759-485-79	IC TC7SET08FU(TE85L)		L601	1-414-757-11	INDUCTOR CHIP 100UH	
IC603	8-759-430-32	IC TLC2933IPW-E20		L602	1-414-754-11	INDUCTOR CHIP 10UH	
IC605	8-759-467-20	IC CXD8675R		L603	1-414-757-11	INDUCTOR CHIP 100UH	
IC607	8-752-388-98	IC CXD2303AQ		L604	1-414-757-11	INDUCTOR CHIP 100UH	
IC609	8-759-447-90	IC TLC5733AIPM		L605	1-414-757-11	INDUCTOR CHIP 100UH	
IC615	8-752-386-52	IC CXD2070Q		L606	1-414-757-11	INDUCTOR CHIP 100UH	
IC616	8-759-422-80	IC MN47V77ST1		L607	1-414-754-11	INDUCTOR CHIP 10UH	
IC617	8-759-422-80	IC MN47V77ST1		L609	1-414-754-11	INDUCTOR CHIP 10UH	
IC618	8-759-393-55	IC MC74F244MEL		L611	1-414-754-11	INDUCTOR CHIP 10UH	
IC619	8-752-384-06	IC CXD2062Q		L612	1-414-754-11	INDUCTOR CHIP 10UH	
IC620	8-759-393-55	IC MC74F244MEL		L617	1-414-754-11	INDUCTOR CHIP 10UH	
IC621	8-752-386-47	IC CXD2071R		L623	1-414-754-11	INDUCTOR CHIP 10UH	
<u>COIL</u>				L624	1-414-754-11	INDUCTOR CHIP 10UH	
L501	1-414-754-11	INDUCTOR CHIP 10UH		L625	1-414-754-11	INDUCTOR CHIP 10UH	
L502	1-414-757-11	INDUCTOR CHIP 100UH		L627	1-414-756-11	INDUCTOR CHIP 47UH	
L503	1-414-757-11	INDUCTOR CHIP 100UH		<u>TRANSISTOR</u>			
L504	1-414-754-11	INDUCTOR CHIP 10UH		Q501	8-729-422-27	TRANSISTOR 2SD601A-Q	
L505	1-414-757-11	INDUCTOR CHIP 100UH		Q502	8-729-422-27	TRANSISTOR 2SD601A-Q	
L506	1-414-757-11	INDUCTOR CHIP 100UH		Q503	8-729-422-27	TRANSISTOR 2SD601A-Q	
L507	1-414-754-11	INDUCTOR CHIP 10UH		Q505	8-729-422-27	TRANSISTOR 2SD601A-Q	
L508	1-412-006-31	INDUCTOR CHIP 10UH		Q506	8-729-216-22	TRANSISTOR 2SA1162-G	
L509	1-414-757-11	INDUCTOR CHIP 100UH		Q507	8-729-216-22	TRANSISTOR 2SA1162-G	
L510	1-414-757-11	INDUCTOR CHIP 100UH		Q508	8-729-422-27	TRANSISTOR 2SD601A-Q	
				Q509	8-729-216-22	TRANSISTOR 2SA1162-G	





<u>REF.NO.</u>	<u>PART NO.</u>	<u>DESCRIPTION</u>		<u>REMARK</u>		<u>REF.NO.</u>	<u>PART NO.</u>	<u>DESCRIPTION</u>		<u>REMARK</u>
R514	1-216-025-91	RES, CHIP	100	5%	1/10W	R574	1-208-766-11	RES, CHIP	220	0.50% 1/10W
R515	1-216-033-00	RES, CHIP	220	5%	1/10W	R576	1-208-766-11	RES, CHIP	220	0.50% 1/10W
R517	1-216-295-91	SHORT				R577	1-208-766-11	RES, CHIP	220	0.50% 1/10W
R518	1-216-085-00	RES, CHIP	33K	5%	1/10W	R578	1-208-766-11	RES, CHIP	220	0.50% 1/10W
R519	1-216-295-91	SHORT				R579	1-208-766-11	RES, CHIP	220	0.50% 1/10W
R520	1-216-057-00	RES, CHIP	2.2K	5%	1/10W	R582	1-216-045-00	RES, CHIP	680	5% 1/10W
R521	1-216-053-00	RES, CHIP	1.5K	5%	1/10W	R585	1-216-045-00	RES, CHIP	680	5% 1/10W
R522	1-216-053-00	RES, CHIP	1.5K	5%	1/10W	R591	1-216-045-00	RES, CHIP	680	5% 1/10W
R523	1-216-061-00	RES, CHIP	3.3K	5%	1/10W	R594	1-216-045-00	RES, CHIP	680	5% 1/10W
R524	1-216-061-00	RES, CHIP	3.3K	5%	1/10W	R597	1-216-045-00	RES, CHIP	680	5% 1/10W
R525	1-216-085-00	RES, CHIP	33K	5%	1/10W	R600	1-216-045-00	RES, CHIP	680	5% 1/10W
R526	1-216-295-91	SHORT				R601	1-216-013-00	RES, CHIP	33	5% 1/10W
R528	1-216-073-00	RES, CHIP	10K	5%	1/10W	R602	1-211-956-11	RES, CHIP	15	0.50% 1/10W
R529	1-216-041-00	RES, CHIP	470	5%	1/10W	R603	1-211-956-11	RES, CHIP	15	0.50% 1/10W
R530	1-216-051-00	RES, CHIP	1.2K	5%	1/10W	R610	1-216-049-91	RES, CHIP	1K	5% 1/10W
R531	1-216-117-00	RES, CHIP	680K	5%	1/10W	R611	1-216-113-00	RES, CHIP	470K	5% 1/10W
R532	1-216-061-00	RES, CHIP	3.3K	5%	1/10W	R612	1-208-766-11	RES, CHIP	220	0.50% 1/10W
R533	1-208-798-11	RES, CHIP	4.7K	0.50%	1/10W	R613	1-208-754-11	RES, CHIP	68	0.50% 1/10W
R534	1-208-774-11	RES, CHIP	470	0.50%	1/10W	R614	1-216-049-91	RES, CHIP	1K	5% 1/10W
R535	1-208-770-11	RES, CHIP	330	0.50%	1/10W	R615	1-216-053-00	RES, CHIP	1.5K	5% 1/10W
R536	1-208-770-11	RES, CHIP	330	0.50%	1/10W	R616	1-216-081-00	RES, CHIP	22K	5% 1/10W
R537	1-208-770-11	RES, CHIP	330	0.50%	1/10W	R618	1-216-025-91	RES, CHIP	100	5% 1/10W
R538	1-208-782-11	RES, CHIP	1K	0.50%	1/10W	R619	1-216-025-91	RES, CHIP	100	5% 1/10W
R539	1-216-025-91	RES, CHIP	100	5%	1/10W	R620	1-216-053-00	RES, CHIP	1.5K	5% 1/10W
R540	1-216-085-00	RES, CHIP	33K	5%	1/10W	R621	1-216-033-00	RES, CHIP	220	5% 1/10W
R541	1-216-061-00	RES, CHIP	3.3K	5%	1/10W	R622	1-216-081-00	RES, CHIP	22K	5% 1/10W
R542	1-216-057-00	RES, CHIP	2.2K	5%	1/10W	R623	1-216-025-91	RES, CHIP	100	5% 1/10W
R543	1-216-049-91	RES, CHIP	1K	5%	1/10W	R624	1-216-049-91	RES, CHIP	1K	5% 1/10W
R544	1-216-053-00	RES, CHIP	1.5K	5%	1/10W	R625	1-216-091-00	RES, CHIP	56K	5% 1/10W
R545	1-216-295-91	SHORT				R626	1-216-061-00	RES, CHIP	3.3K	5% 1/10W
R546	1-216-061-00	RES, CHIP	3.3K	5%	1/10W	R627	1-216-053-00	RES, CHIP	1.5K	5% 1/10W
R547	1-216-073-00	RES, CHIP	10K	5%	1/10W	R628	1-216-295-91	SHORT		
R548	1-216-033-00	RES, CHIP	220	5%	1/10W	R629	1-216-062-00	RES, CHIP	3.6K	5% 1/10W
R549	1-216-117-00	RES, CHIP	680K	5%	1/10W	R630	1-216-113-00	RES, CHIP	470K	5% 1/10W
R554	1-216-295-91	SHORT				R631	1-216-061-00	RES, CHIP	3.3K	5% 1/10W
R555	1-216-037-00	RES, CHIP	330	5%	1/10W	R632	1-216-073-00	RES, CHIP	10K	5% 1/10W
R556	1-216-033-00	RES, CHIP	220	5%	1/10W	R633	1-216-013-00	RES, CHIP	33	5% 1/10W
R558	1-216-117-00	RES, CHIP	680K	5%	1/10W	R634	1-216-655-11	RES, CHIP	1.5K	0.50% 1/10W
R559	1-216-025-91	RES, CHIP	100	5%	1/10W	R636	1-216-047-91	RES, CHIP	820	5% 1/10W
R560	1-216-025-91	RES, CHIP	100	5%	1/10W	R637	1-216-049-91	RES, CHIP	1K	5% 1/10W
R561	1-216-025-91	RES, CHIP	100	5%	1/10W	R638	1-216-117-00	RES, CHIP	680K	5% 1/10W
R562	1-216-025-91	RES, CHIP	100	5%	1/10W	R639	1-216-117-00	RES, CHIP	680K	5% 1/10W
R563	1-216-025-91	RES, CHIP	100	5%	1/10W	R640	1-216-025-91	RES, CHIP	100	5% 1/10W
R564	1-216-025-91	RES, CHIP	100	5%	1/10W	R641	1-216-295-91	SHORT		
R565	1-216-073-00	RES, CHIP	10K	5%	1/10W	R643	1-216-066-00	RES, CHIP	5.1K	5% 1/10W
R567	1-216-065-91	RES, CHIP	4.7K	5%	1/10W	R645	1-216-025-91	RES, CHIP	100	5% 1/10W
R568	1-216-065-91	RES, CHIP	4.7K	5%	1/10W	R647	1-216-065-91	RES, CHIP	4.7K	5% 1/10W
R569	1-216-025-91	RES, CHIP	100	5%	1/10W	R648	1-216-065-91	RES, CHIP	4.7K	5% 1/10W
R572	1-216-295-91	SHORT				R651	1-216-013-00	RES, CHIP	33	5% 1/10W





<u>REF.NO.</u>	<u>PART NO.</u>	<u>DESCRIPTION</u>		<u>REMARK</u>		<u>REF.NO.</u>	<u>PART NO.</u>	<u>DESCRIPTION</u>		<u>REMARK</u>	
R652	1-208-752-11	RES, CHIP	56	0.50%	1/10W	R733	1-216-057-00	RES, CHIP	2.2K	5%	1/10W
R653	1-208-752-11	RES, CHIP	56	0.50%	1/10W	R734	1-216-057-00	RES, CHIP	2.2K	5%	1/10W
R655	1-208-754-11	RES, CHIP	68	0.50%	1/10W	R735	1-208-762-11	RES, CHIP	150	0.50%	1/10W
R656	1-216-089-91	RES, CHIP	47K	5%	1/10W	R739	1-208-762-11	RES, CHIP	150	0.50%	1/10W
R657	1-208-754-11	RES, CHIP	68	0.50%	1/10W	R741	1-208-762-11	RES, CHIP	150	0.50%	1/10W
R658	1-208-754-11	RES, CHIP	68	0.50%	1/10W	R742	1-208-762-11	RES, CHIP	150	0.50%	1/10W
R660	1-208-752-11	RES, CHIP	56	0.50%	1/10W	R743	1-208-762-11	RES, CHIP	150	0.50%	1/10W
R661	1-216-295-91	SHORT				R744	1-216-655-11	RES, CHIP	1.5K	0.50%	1/10W
R662	1-208-752-11	RES, CHIP	56	0.50%	1/10W	R745	1-216-655-11	RES, CHIP	1.5K	0.50%	1/10W
R663	1-208-754-11	RES, CHIP	68	0.50%	1/10W	R746	1-216-655-11	RES, CHIP	1.5K	0.50%	1/10W
R665	1-216-077-00	RES, CHIP	15K	5%	1/10W	R747	1-216-655-11	RES, CHIP	1.5K	0.50%	1/10W
R666	1-216-025-91	RES, CHIP	100	5%	1/10W	R748	1-216-295-91	SHORT			
R667	1-216-025-91	RES, CHIP	100	5%	1/10W	R749	1-216-295-91	SHORT			
R668	1-216-025-91	RES, CHIP	100	5%	1/10W	R752	1-216-655-11	RES, CHIP	1.5K	0.50%	1/10W
R670	1-216-025-91	RES, CHIP	100	5%	1/10W	R753	1-216-025-91	RES, CHIP	100	5%	1/10W
R672	1-216-049-91	RES, CHIP	1K	5%	1/10W	R755	1-216-295-91	SHORT			
R673	1-216-077-00	RES, CHIP	15K	5%	1/10W	R757	1-216-295-91	SHORT			
R674	1-216-077-00	RES, CHIP	15K	5%	1/10W	R758	1-208-770-11	RES, CHIP	330	0.50%	1/10W
R676	1-208-752-11	RES, CHIP	56	0.50%	1/10W	R759	1-208-770-11	RES, CHIP	330	0.50%	1/10W
R678	1-208-758-11	RES, CHIP	100	0.50%	1/10W	R760	1-208-778-11	RES, CHIP	680	0.50%	1/10W
R679	1-216-295-91	SHORT				R761	1-208-778-11	RES, CHIP	680	0.50%	1/10W
R680	1-216-295-91	SHORT				R762	1-216-295-91	SHORT			
R683	1-208-752-11	RES, CHIP	56	0.50%	1/10W	R765	1-216-295-91	SHORT			
R686	1-216-025-91	RES, CHIP	100	5%	1/10W	R766	1-216-295-91	SHORT			
R690	1-216-295-91	SHORT				R767	1-216-295-91	SHORT			
R691	1-208-755-11	RES, CHIP	75	0.50%	1/10W	R768	1-216-295-91	SHORT			
R692	1-216-025-91	RES, CHIP	100	5%	1/10W	R772	1-216-025-91	RES, CHIP	100	5%	1/10W
R694	1-208-752-11	RES, CHIP	56	0.50%	1/10W	R773	1-216-049-91	RES, CHIP	1K	5%	1/10W
R695	1-208-752-11	RES, CHIP	56	0.50%	1/10W	R774	1-216-057-00	RES, CHIP	2.2K	5%	1/10W
R696	1-208-755-11	RES, CHIP	75	0.50%	1/10W	R775	1-208-794-11	RES, CHIP	3.3K	0.50%	1/10W
R697	1-216-295-91	SHORT				R776	1-208-790-11	RES, CHIP	2.2K	0.50%	1/10W
R698	1-216-295-91	SHORT				R778	1-216-061-00	RES, CHIP	3.3K	5%	1/10W
R703	1-216-053-00	RES, CHIP	1.5K	5%	1/10W	R779	1-208-765-11	RES, CHIP	200	0.50%	1/10W
R704	1-216-053-00	RES, CHIP	1.5K	5%	1/10W	R780	1-208-765-11	RES, CHIP	200	0.50%	1/10W
R706	1-216-053-00	RES, CHIP	1.5K	5%	1/10W	R781	1-208-765-11	RES, CHIP	200	0.50%	1/10W
R707	1-216-037-00	RES, CHIP	330	5%	1/10W	R782	1-216-049-91	RES, CHIP	1K	5%	1/10W
R708	1-216-037-00	RES, CHIP	330	5%	1/10W	R784	1-216-049-91	RES, CHIP	1K	5%	1/10W
R709	1-216-049-91	RES, CHIP	1K	5%	1/10W	R785	1-216-049-91	RES, CHIP	1K	5%	1/10W
R710	1-216-295-91	SHORT				R786	1-216-049-91	RES, CHIP	1K	5%	1/10W
R712	1-216-055-00	RES, CHIP	1.8K	5%	1/10W	R796	1-216-057-00	RES, CHIP	2.2K	5%	1/10W
R713	1-216-055-00	RES, CHIP	1.8K	5%	1/10W	R797	1-216-057-00	RES, CHIP	2.2K	5%	1/10W
R722	1-216-049-91	RES, CHIP	1K	5%	1/10W	R798	1-216-057-00	RES, CHIP	2.2K	5%	1/10W
R724	1-211-956-11	RES, CHIP	15	0.50%	1/10W	R806	1-216-097-91	RES, CHIP	100K	5%	1/10W
R726	1-211-956-11	RES, CHIP	15	0.50%	1/10W	R812	1-216-049-91	RES, CHIP	1K	5%	1/10W
R727	1-208-794-11	RES, CHIP	3.3K	0.50%	1/10W	R813	1-216-057-00	RES, CHIP	2.2K	5%	1/10W
R728	1-216-049-91	RES, CHIP	1K	5%	1/10W	R817	1-216-049-91	RES, CHIP	1K	5%	1/10W
R729	1-216-057-00	RES, CHIP	2.2K	5%	1/10W	R848	1-216-295-91	SHORT			
R731	1-216-057-00	RES, CHIP	2.2K	5%	1/10W	R863	1-216-057-00	RES, CHIP	2.2K	5%	1/10W
R732	1-216-057-00	RES, CHIP	2.2K	5%	1/10W						



REF.NO.	PART NO.	DESCRIPTION	REMARK
R864	1-208-776-11	RES, CHIP	560 0.50% 1/10W
R889	1-216-025-91	RES, CHIP	100 5% 1/10W
R890	1-216-049-91	RES, CHIP	1K 5% 1/10W
R891	1-216-049-91	RES, CHIP	1K 5% 1/10W
R903	1-216-049-91	RES, CHIP	1K 5% 1/10W
R904	1-216-025-91	RES, CHIP	100 5% 1/10W
R905	1-216-025-91	RES, CHIP	100 5% 1/10W
R906	1-216-025-91	RES, CHIP	100 5% 1/10W

CRYSTAL

X504	1-577-101-11	VIBRATOR, CERAMIC CHIP
X508	1-767-262-31	VIBRATOR, CRYSTAL



\* A-1372-528-A W BOARD, MOUNTED

4-382-854-11 SCREW (M3X10), P, SW (+)

CAPACITOR

C9101	1-106-351-00	MYLAR	0.0022MF	20%	200V
C9102	1-106-351-00	MYLAR	0.0022MF	20%	200V
C9103	1-163-009-11	CERAMIC CHIP	0.001MF	10%	50V
C9104	1-163-009-11	CERAMIC CHIP	0.001MF	10%	50V
C9105	1-106-351-00	MYLAR	0.0022MF	20%	200V
C9106	1-107-667-11	ELECT	2.2MF	20%	160V
C9107	1-126-935-11	ELECT	470MF	20%	16V
C9108	1-126-935-11	ELECT	470MF	20%	16V
C9109	1-126-355-11	ELECT	33MF	20%	160V
C9110	1-107-883-11	ELECT	330MF	20%	16V
C9112	1-126-382-11	ELECT	100MF	20%	16V
C9113	1-126-933-11	ELECT	100MF	20%	16V
C9115	1-126-935-11	ELECT	470MF	20%	6.3V
C9116	1-126-935-11	ELECT	470MF	20%	6.3V
C9117	1-104-999-11	MYLAR	0.1MF	10%	200V

CONNECTOR

CN9101*	1-564-506-11	PLUG, CONNECTOR	3P
CN9102*	1-564-512-11	PLUG, CONNECTOR	9P
CN9104*	1-770-747-11	CONNECTOR, BOARD TO BOARD	12P

DIODE

D9101	8-719-924-11	DIODE MTZJ-T-77-22
D9102	8-719-924-11	DIODE MTZJ-T-77-22
D9103	8-719-404-49	DIODE MA111

REF.NO.	PART NO.	DESCRIPTION	REMARK
D9104	8-719-404-49	DIODE MA111	
D9105	8-719-404-49	DIODE MA111	
D9106	8-719-404-49	DIODE MA111	
D9107	8-719-510-02	DIODE D1NS4	

COIL

L9101	1-412-525-31	INDUCTOR CHIP	10UH
-------	--------------	---------------	------

TRANSISTOR

Q9101	8-729-017-05	TRANSISTOR 2SA1837
Q9102	8-729-017-06	TRANSISTOR 2SC4793
Q9103	8-729-422-27	TRANSISTOR 2SD601A-Q
Q9104	8-729-422-27	TRANSISTOR 2SD601A-Q
Q9105	8-729-422-27	TRANSISTOR 2SD601A-Q
Q9106	8-729-216-22	TRANSISTOR 2SA1162-G
Q9107	8-729-422-27	TRANSISTOR 2SD601A-Q
Q9108	8-729-216-22	TRANSISTOR 2SA1162-G

RESISTOR

R9101	1-249-392-11	CARBON	8.2	5%	1/4W
R9102	1-249-414-11	CARBON	560	5%	1/4W F
R9103	1-249-432-11	CARBON	18K	5%	1/4W
R9104	1-249-432-11	CARBON	18K	5%	1/4W
R9105	1-249-414-11	CARBON	560	5%	1/4W
R9106	1-249-421-11	CARBON	2.2K	5%	1/4W
R9107	1-249-421-11	CARBON	2.2K	5%	1/4W
R9108	1-260-316-51	CARBON	100	5%	1/2W
R9109	1-249-382-11	CARBON	1.2	5%	1/4W F
R9110	1-249-382-11	CARBON	1.2	5%	1/4W F
R9111	1-249-405-11	CARBON	100	5%	1/4W F
R9112	1-215-915-11	METAL OXIDE	470	5%	3W F
R9113	1-216-017-91	RES, CHIP	47	5%	1/10W
R9114	1-249-421-11	CARBON	2.2K	5%	1/4W
R9115	1-216-065-91	RES, CHIP	4.7K	5%	1/10W
R9116	1-249-393-11	CARBON	10	5%	1/4W
R9117	1-216-041-00	RES, CHIP	470	5%	1/10W
R9118	1-247-688-11	CARBON	10	5%	1/4W F
R9119	1-249-399-11	CARBON	33	5%	1/4W
R9120	1-247-807-31	CARBON	100	5%	1/4W
R9121	1-249-407-11	CARBON	150	5%	1/4W
R9122	1-216-049-91	RES, CHIP	1K	5%	1/10W
R9123	1-249-401-11	CARBON	47	5%	1/4W
R9124	1-249-401-11	CARBON	47	5%	1/4W
R9125	1-216-073-00	RES, CHIP	10K	5%	1/10W
R9126	1-249-392-11	CARBON	8.2	5%	1/4W

**ACCESSORIES AND PACKING MATERIALS**

<u>REF.NO.</u>	<u>PART NO.</u>	<u>DESCRIPTION</u>	<u>REMARK</u>
----------------	-----------------	--------------------	---------------

**ACCESSORIES AND PACKING MATERIALS**

	3-864-605-21	MANUAL, INSTRUCTION	
*	4-065-401-01	CARTON, INDIVIDUAL	
*	4-065-402-01	TRAY	
*	4-065-453-01	CUSHION ASSY, UPPER	
*	4-065-454-01	CUSHION ASSY, LOWER	
	4-066-845-01	BAG, PROTECTION	

**REMOTE COMMANDER**

	1-475-978-11	COMMANDER, STANDARD TYPE (RM-Y158)	
	9-933-736-01	BATTERY COVER	

<u>REF.NO.</u>	<u>PART NO.</u>	<u>DESCRIPTION</u>	<u>REMARK</u>
----------------	-----------------	--------------------	---------------



REF.NO.	PART NO.	DESCRIPTION	REMARK	REF.NO.	PART NO.	DESCRIPTION	REMARK
		<b>1-672-153-11 MH BOARD, COMPLETE</b>					
		<u>CAPACITOR</u>					
C113	9-881-697-01	ELECT	2200/10V	D129	9-881-666-01	DIODE 1SS355	
C114	9-881-697-01	ELECT	2200/10V	D130	9-881-666-01	DIODE 1SS355	
C117	9-881-697-01	ELECT	2200/10V	D131	9-881-666-01	DIODE 1SS355	
C121	9-881-697-01	ELECT	2200/10V	D132	9-881-666-01	DIODE 1SS355	
C515	9-881-701-01	ELECT	10/16V	D133	9-881-666-01	DIODE 1SS355	
				D134	9-881-666-01	DIODE 1SS355	
C520	9-881-701-01	ELECT	10/16V	D135	9-881-666-01	DIODE 1SS355	
		<u>PIN CABLE</u>		D140	9-881-688-01	CHIP, LED	20MA
CBL1	9-881-740-01	CABLE, PIN	28P	D141	9-881-688-01	CHIP, LED	20MA
CBL2	9-881-741-01	CABLE, PIN	8P	D401	9-881-666-01	DIODE 1SS355	
CBL3	9-881-739-01	CABLE, PIN	14P				
		<u>DIODE</u>		D402	9-881-666-01	DIODE 1SS355	
D101	9-881-683-01	RECTIFIER	3.0A /40V	D501	9-881-638-01	DIODE RD-6.2MW	
D102	9-881-666-01	DIODE 1SS355		D502	9-881-638-01	DIODE RD-6.2MW	
D103	9-881-666-01	DIODE 1SS355		D511	9-881-666-01	DIODE 1SS355	
D104	9-881-666-01	DIODE 1SS355		D512	9-881-666-01	DIODE 1SS355	
D105	9-881-666-01	DIODE 1SS355					
D106	9-881-666-01	DIODE 1SS355		D513	9-881-666-01	DIODE 1SS355	
D107	9-881-666-01	DIODE 1SS355		D801	9-881-638-01	DIODE RD-6.2MW	
D108	9-881-666-01	DIODE 1SS355		D802	9-881-638-01	DIODE RD-6.2MW	
D109	9-881-666-01	DIODE 1SS355		D804	9-881-638-01	DIODE RD-6.2MW	
D110	9-881-666-01	DIODE 1SS355		D803	9-881-638-01	DIODE RD-6.2MW	
				D805	9-881-638-01	DIODE RD-6.2MW	
D111	9-881-666-01	DIODE 1SS355		D806	9-881-638-01	DIODE RD-6.2MW	
D112	9-881-666-01	DIODE 1SS355		D807	9-881-638-01	DIODE RD-6.2MW	
D113	9-881-666-01	DIODE 1SS355		D808	9-881-638-01	DIODE RD-6.2MW	
D114	9-881-666-01	DIODE 1SS355		D809	9-881-744-01	DIODE RD-9.1MW	
D115	9-881-666-01	DIODE 1SS355		D810	9-881-744-01	DIODE RD-9.1MW	
D116	9-881-666-01	DIODE 1SS355		D811	9-881-638-01	DIODE RD-6.2MW	
D117	9-881-666-01	DIODE 1SS355		D812	9-881-744-01	DIODE RD-9.1MW	
D118	9-881-666-01	DIODE 1SS355		D813	9-881-638-01	DIODE RD-6.2MW	
D119	9-881-666-01	DIODE 1SS355		D814	9-881-744-01	DIODE RD-9.1MW	
D120	9-881-666-01	DIODE 1SS355		D815	9-881-638-01	DIODE RD-6.2MW	
D121	9-881-666-01	DIODE 1SS355		D816	9-881-638-01	DIODE RD-6.2MW	
D122	9-881-666-01	DIODE 1SS355		D817	9-881-638-01	DIODE RD-6.2MW	
D123	9-881-666-01	DIODE 1SS355					
D124	9-881-666-01	DIODE 1SS355		<u>FERRITE BEAD</u>			
D125	9-881-666-01	DIODE 1SS355		FB201	9-881-641-01	INDUCTOR, FERRITE BEAD	
				FB202	9-881-641-01	INDUCTOR, FERRITE BEAD	
D126	9-881-666-01	DIODE 1SS355					
D127	9-881-666-01	DIODE 1SS355		<u>FILTER</u>			
D128	9-881-666-01	DIODE 1SS355		FL101	9-881-698-01	EMI FILTER	1.5UF 50VDC 6A max
				FL102	9-881-699-01	EMI FILTER	0.2UF 50VDC 2A max
				FL104	9-881-699-01	EMI FILTER	0.2UF 50VDC 2A max
				FL105	9-881-699-01	EMI FILTER	0.2UF 50VDC 2A max
				FL106	9-881-699-01	EMI FILTER	0.2UF 50VDC 2A max
				FL107	9-881-699-01	EMI FILTER	0.2UF 50VDC 2A max
				FL201	9-881-699-01	EMI FILTER	0.2UF 50VDC 2A max
				FL202	9-881-699-01	EMI FILTER	0.2UF 50VDC 2A max





REF.NO.	PART NO.	DESCRIPTION	REMARK	REF.NO.	PART NO.	DESCRIPTION	REMARK
R843	9-881-705-01	RESISTOR	825 1% 1/10W	U503	9-881-724-01	IC MC33202	
R844	9-881-720-01	RESISTOR	68.1 1% 1/10W	U504	9-881-684-01	IC CS4330	
R845	9-881-705-01	RESISTOR	825 1% 1/10W	U505	9-881-637-01	IC STI4600	
R846	9-881-705-01	RESISTOR	825 1% 1/10W	U511	9-881-667-01	IC GP1F32T	
R847	9-881-720-01	RESISTOR	68.1 1% 1/10W	U512	9-881-729-01	IC SN741G08	
R850	9-881-732-01	RESISTOR	51.1 1% 1/10W	U601	9-881-657-01	IC ICS9161A	
R853	9-881-733-01	RESISTOR	412 1% 1/10W	U602	9-881-663-01	IC STI7000	
R854	9-881-705-01	RESISTOR	825 1% 1/10W	U603	9-881-657-01	IC ICS9161A	
R855	9-881-720-01	RESISTOR	68.1 1% 1/10W	U605	9-881-703-01	IC 74VHC04	
R858	9-881-718-01	RESISTOR	10K 1% 1/10W	U701	9-881-627-01	IC UPD4516161AG5-A10	
R864	9-881-718-01	RESISTOR	10K 1% 1/10W	U702	9-881-627-01	IC UPD4516161AG5-A10	
	<b>SOCKET</b>			U703	9-881-627-01	IC UPD4516161AG5-A10	
S101	9-881-631-01	SOCKET	20P	U704	9-881-627-01	IC UPD4516161AG5-A10	
S201	9-881-635-01	SOCKET	44P	U705	9-881-627-01	IC UPD4516161AG5-A10	
	<b>SWITCH</b>			U706	9-881-627-01	IC UPD4516161AG5-A10	
SW001	9-881-921-01	RSTSW		U707	9-881-627-01	IC UPD4516161AG5-A10	
	<b>IC</b>			U708	9-881-627-01	IC UPD4516161AG5-A10	
U101	9-881-665-01	IC DALC112S1		U801	9-881-704-01	IC TDA8772	
U102	9-881-702-01	IC 74VHC14		U802	9-881-633-01	IC AFM712YL30MK1	
U103	9-881-661-01	IC PAL16V8-10		U804	9-881-656-01	IC LM6182	
U104	9-881-685-01	IC TL7702A		U805	9-881-656-01	IC LM6182	
U105	9-881-665-01	IC DALC112S1		U806	9-881-656-01	IC LM6182	
U106	9-881-665-01	IC DALC112S1			<b>CRYSTAL</b>		
U107	9-881-668-01	IC SI9430DY		Y201	9-881-670-01	CRYSTAL	32.768kHz / 12.5PF
U108	9-881-634-01	IC MAX1627		Y202	9-881-632-01	CRYSTAL	27MHZ/ 3.3V supply
U201	9-881-669-01	IC ST20TP3			<hr/> <hr/>		
U202	9-881-696-01	IC MAX202CSE			<b>9-881-760-01 POWER SUPPLY</b>		
U203	9-881-658-01	IC EPM7032LC44			<b>CONNECTOR</b>		
U204	9-881-664-01	IC 74F14		CN101	9-881-813-01	CONNECTOR B02B-VT	250V/12A
U205	9-881-639-01	IC M24C32		CN102	9-881-814-01	CONNECTOR CCT1302-0201	125V/15A
U301	9-881-626-01	IC TC5118160CFT-60		CN201	9-881-815-01	CONNECTOR 43045-1412	250V/5A
U302	9-881-626-01	IC TC5118160CFT-60			<b>DIODE</b>		
U303	9-881-626-01	IC TC5118160CFT-60		D101	9-881-816-01	DIODE D3SBA60	600V/4A
U304	9-881-626-01	IC TC5118160CFT-60		D102	9-881-817-01	DIODE MA700A	30V/0.03A
U401	9-881-636-01	IC M28F411		D103	9-881-818-01	DIODE ERA91-02	200V/1A
U402	9-881-636-01	IC M28F411		D201	9-881-820-01	DIODE S1WB60S	600V/1A
U403	9-881-636-01	IC M28F411		D202	9-881-821-01	DIODE ERA22-08	800V/0.5A
U404	9-881-636-01	IC M28F411					
U405	9-881-636-01	IC M28F411					
U406	9-881-636-01	IC M28F411					
U407	9-881-636-01	IC M28F411					
U408	9-881-636-01	IC M28F411					
U501	9-881-640-01	IC LT1117CST-3.3					



<u>REF.NO.</u>	<u>PART NO.</u>	<u>DESCRIPTION</u>	<u>REMARK</u>	<u>REF.NO.</u>	<u>PART NO.</u>	<u>DESCRIPTION</u>	<u>REMARK</u>
D203	9-881-822-01	DIODE MA6D50	200V/10A	<b>RESISTOR</b>			
D204	9-881-823-01	DIODE MA7D49A	45V/5A	R111	9-881-877-01	METAL OXIDE FILE RESISTOR	10 2W
D205	9-881-825-01	DIODE FCH10A9	90V/10A	R118	9-881-882-01	METAL PLATE RESISTOR	0.1 2W
D206	9-881-826-01	DIODE FCH10A9	90V/10A	R208	9-881-886-01	METAL OXIDE FILE RESISTOR	3.3K 3W
D207	9-881-827-01	DIODE MA165	80V/0.15A	<b>TRANSFORMER</b>			
D208	9-881-829-01	DIODE MA165	80V/0.15A	T101	9-881-896-01	TRANSFORMER ETP28Z410AY	
D209	9-881-831-01	DIODE MA165	80V/0.15A	T102	9-881-897-01	TRANSFORMER ETB33AC1L5AC	
D210	9-881-833-01	DIODE ERA82-004	40V/0.6A	<b>THERMISTOR</b>			
D211	9-881-836-01	DIODE ERA82-004	40V/0.6A	TH101	9-881-898-01	THERMISTOR	2.0A/5
D212	9-881-839-01	DIODE ERA82-004	40V/0.6A	<b>VARIABLE RESISTOR</b>			
D213	9-881-842-01	DIODE MA165	80V/0.15A	VR201	9-881-900-01	VARIABLE RESISTOR	500 0.1W
<b>FUSE</b>				<b>VARISTOR</b>			
F101	9-881-844-01	CARTRIDGE FUSE	125V/7A	Z101	9-881-901-01	VARISTOR	470V
F102	9-881-845-01	FUSE	250V/3A	<b>ZENER DIODE</b>			
<b>IC</b>				ZD101	9-881-902-01	ZENER DIODE	20V 0.4W
IC101	9-881-846-01	IC AN8037	12V/0.15A	ZD202	9-881-903-01	ZENER DIODE	6.8V 0.8W
IC201	9-881-847-01	IC NJM431L		ZD204	9-881-904-01	ZENER DIODE	10V 0.4W
IC202	9-881-849-01	IC VISI3090FA	20V/1.0A	ZD205	9-881-904-01	ZENER DIODE	36V 0.4W
IC203	9-881-850-01	IC VISI3120FA	25V/1.0A	<b>CAPACITOR</b>			
IC204	9-881-851-01	IC VISI3050FA	15V/1.0A	C502	1-107-826-11	CERAMIC CHIP	0.1MF 10% 16V
IC205	9-881-852-01	IC NJM431L	22V/0.15A	C505	1-107-826-11	CERAMIC CHIP	0.1MF 10% 16V
<b>FILTER</b>				C510	1-162-964-11	CERAMIC CHIP	0.001MF 10% 50V
L101	9-881-854-01	FILTER CHOKE	1.1A 4.0MH	C511	1-107-826-11	CERAMIC CHIP	0.1MF 10% 16V
L102	9-881-855-01	FILTER CHOKE	1.1A 4.0MH	C512	1-126-933-11	ELECT	100MF 20% 16V
L103	9-881-856-01	FERRITE BEAD	7.0A 1.1UH	C513	1-107-826-11	CERAMIC CHIP	0.1MF 10% 16V
L104	9-881-857-01	FERRITE BEAD	7.0A 1.1UH	C514	1-126-933-11	ELECT	100MF 20% 16V
L201	9-881-858-01	CHOKE	5A 5UH	<b>FE BOARD, COMPLETE</b>			
L202	9-881-859-01	CHOKE	2.5A 3.3UH	<b>CAPACITOR</b>			
<b>OPTOISOLATOR</b>				C502	1-107-826-11	CERAMIC CHIP	0.1MF 10% 16V
PC101	9-881-860-01	OPTOISOLATOR PC		C505	1-107-826-11	CERAMIC CHIP	0.1MF 10% 16V
PC102	9-881-861-01	OPTOISOLATOR PC		C510	1-162-964-11	CERAMIC CHIP	0.001MF 10% 50V
<b>TRANSISTOR</b>				C511	1-107-826-11	CERAMIC CHIP	0.1MF 10% 16V
Q101	9-881-862-01	TRANSISTOR 2SC3311A		C512	1-126-933-11	ELECT	100MF 20% 16V
Q102	9-881-866-01	TRANSISTOR 35W500V5		C513	1-107-826-11	CERAMIC CHIP	0.1MF 10% 16V
Q201	9-881-867-01	TRANSISTOR 2SD2137A		C514	1-126-933-11	ELECT	100MF 20% 16V

A-4950-986-A FE BOARD, COMPLETE

**CAPACITOR**

C502	1-107-826-11	CERAMIC CHIP	0.1MF	10%	16V
C505	1-107-826-11	CERAMIC CHIP	0.1MF	10%	16V
C510	1-162-964-11	CERAMIC CHIP	0.001MF	10%	50V
C511	1-107-826-11	CERAMIC CHIP	0.1MF	10%	16V
C512	1-126-933-11	ELECT	100MF	20%	16V
C513	1-107-826-11	CERAMIC CHIP	0.1MF	10%	16V
C514	1-126-933-11	ELECT	100MF	20%	16V



REF.NO.	PART NO.	DESCRIPTION	REMARK
C515	1-126-968-11	ELECT	100MF 20% 50V
C516	1-162-964-11	CERAMIC CHIP	0.001MF 10% 50V
C517	1-126-925-11	ELECT	470MF 20% 10V
C518	1-115-467-11	CERAMIC CHIP	0.22MF 10% 10V
C519	1-162-970-11	CERAMIC CHIP	0.01MF 10% 25V
C520	1-104-664-11	ELECT	47MF 20% 16V
C521	1-164-227-11	CERAMIC CHIP	0.022MF 10% 16V
C602	1-115-340-11	CERAMIC CHIP	0.22MF 10% 25V
C603	1-126-925-11	ELECT	470MF 20% 10V
C621	1-162-964-11	CERAMIC CHIP	0.001MF 10% 50V
C626	1-126-933-11	ELECT	100MF 20% 16V
C631	1-126-925-11	ELECT	470MF 20% 10V
C632	1-162-917-11	CERAMIC CHIP	15PF 5% 50V
C634	1-162-920-11	CERAMIC CHIP	27PF 5% 50V
C636	1-162-966-11	CERAMIC CHIP	0.0022MF 10% 50V
C660	1-126-933-11	ELECT	100MF 20% 16V
C661	1-126-925-11	ELECT	470MF 20% 10V
C662	1-104-665-11	ELECT	100MF 20% 10V
C663	1-115-340-11	CERAMIC CHIP	0.22MF 10% 25V
C664	1-126-925-11	ELECT	470MF 20% 10V
C677	1-107-826-11	CERAMIC CHIP	0.1MF 10% 16V
C701	1-162-949-11	CERAMIC CHIP	47PF 5% 50V
C702	1-104-664-11	ELECT	47MF 20% 16V
C703	1-115-340-11	CERAMIC CHIP	0.22MF 10% 25V
C704	1-164-441-11	CERAMIC CHIP	68PF 5% 50V
C707	1-115-340-11	CERAMIC CHIP	0.22MF 10% 25V
C710	1-104-664-11	ELECT	47MF 20% 16V
C712	1-115-340-11	CERAMIC CHIP	0.22MF 10% 25V
C716	1-115-340-11	CERAMIC CHIP	0.22MF 10% 25V
C719	1-115-340-11	CERAMIC CHIP	0.22MF 10% 25V
C720	1-115-340-11	CERAMIC CHIP	0.22MF 10% 25V
C721	1-115-340-11	CERAMIC CHIP	0.22MF 10% 25V
C723	1-115-340-11	CERAMIC CHIP	0.22MF 10% 25V
C731	1-164-227-11	CERAMIC CHIP	0.022MF 10% 16V
C732	1-115-340-11	CERAMIC CHIP	0.22MF 10% 25V
C735	1-115-339-11	CERAMIC CHIP	0.1MF 10% 50V
C736	1-115-340-11	CERAMIC CHIP	0.22MF 10% 25V
C737	1-126-934-11	ELECT	220MF 20% 16V
C740	1-165-128-11	CERAMIC CHIP	0.22MF 16V
C741	1-115-340-11	CERAMIC CHIP	0.22MF 10% 25V
C742	1-104-665-11	ELECT	100MF 20% 10V
C743	1-165-128-11	CERAMIC CHIP	0.22MF 16V
C750	1-165-128-11	CERAMIC CHIP	0.22MF 16V
C751	1-115-340-11	CERAMIC CHIP	0.22MF 10% 25V
C753	1-115-340-11	CERAMIC CHIP	0.22MF 10% 25V
C754	1-115-340-11	CERAMIC CHIP	0.22MF 10% 25V
C755	1-115-340-11	CERAMIC CHIP	0.22MF 10% 25V
C762	1-115-340-11	CERAMIC CHIP	0.22MF 10% 25V

REF.NO.	PART NO.	DESCRIPTION	REMARK
C763	1-115-340-11	CERAMIC CHIP	0.22MF 10% 25V
C764	1-115-340-11	CERAMIC CHIP	0.22MF 10% 25V
C765	1-115-340-11	CERAMIC CHIP	0.22MF 10% 25V
C766	1-115-340-11	CERAMIC CHIP	0.22MF 10% 25V
C767	1-115-340-11	CERAMIC CHIP	0.22MF 10% 25V
C768	1-115-340-11	CERAMIC CHIP	0.22MF 10% 25V
C769	1-104-665-11	ELECT	100MF 20% 10V
C771	1-104-665-11	ELECT	100MF 20% 10V
C772	1-115-340-11	CERAMIC CHIP	0.22MF 10% 25V
C773	1-115-340-11	CERAMIC CHIP	0.22MF 10% 25V
C774	1-115-340-11	CERAMIC CHIP	0.22MF 10% 25V
C775	1-115-340-11	CERAMIC CHIP	0.22MF 10% 25V
C776	1-115-340-11	CERAMIC CHIP	0.22MF 10% 25V

**CONNECTOR**

CN601 *	1-563-461-11	SOCKET, CONNECTOR	28P
CN602 *	1-564-507-11	PLUG, CONNECTOR	4P
CN603 *	1-564-511-11	PLUG, CONNECTOR	8P

**DC/DC CONVERTER**

DDC601	1-475-270-11	CONVERTER UNIT
--------	--------------	----------------

**DIODE**

D604	8-719-038-20	DIODE 1SS314
D605	8-719-052-06	DIODE SLR-342 MGT32
D606	8-719-060-44	DIODE SLR-342 VRT32
D701	8-719-031-68	DIODE HVU359T RF

**IC**

IC501	8-749-925-00	IC TK11819MTL
IC601	8-759-162-80	IC MM1170BFB
IC603	8-752-898-55	IC CXP86460-607S
	1-526-950-11	SOCKET, 64P (for IC603)
IC604	8-759-527-77	IC M24C16-MN6T
IC701	8-759-546-29	IC HD74LVC04T ELL
IC702	8-759-546-27	IC TDA8763M/4/C3,518
IC703	8-759-998-98	IC LM358D
IC704	8-759-546-31	IC AV8100
IC706	8-759-031-84	IC SC7S04F

**IF**

IF501	A-4954-039-A	IF UNIT
-------	--------------	---------





<u>REF.NO.</u>	<u>PART NO.</u>	<u>DESCRIPTION</u>	<u>REMARK</u>	<u>REF.NO.</u>	<u>PART NO.</u>	<u>DESCRIPTION</u>	<u>REMARK</u>
<u>COIL</u>				R614	1-216-864-11	SHORT	
L501	1-408-603-31	INDUCTOR	10UH	R624	1-216-813-11	RES, CHIP	220 5% 1/16W
L504	1-410-671-31	INDUCTOR	47UH	R625	1-216-833-11	RES, CHIP	10K 5% 1/16W
L505	1-410-671-31	INDUCTOR	47UH	R627	1-216-813-11	RES, CHIP	220 5% 1/16W
L506	1-410-682-31	INDUCTOR	470UH	R628	1-216-813-11	RES, CHIP	220 5% 1/16W
L507	1-414-755-11	INDUCTOR	22UH	R630	1-216-813-11	RES, CHIP	220 5% 1/16W
L601	1-410-667-31	INDUCTOR	22UH	R631	1-216-813-11	RES, CHIP	220 5% 1/16W
L603	1-412-525-31	INDUCTOR	10UH	R632	1-216-813-11	RES, CHIP	220 5% 1/16W
L605	1-412-525-31	INDUCTOR	10UH	R633	1-216-813-11	RES, CHIP	220 5% 1/16W
L701	1-414-755-11	INDUCTOR	22UH	R636	1-216-813-11	RES, CHIP	220 5% 1/16W
L702	1-414-756-11	INDUCTOR	47UH	R637	1-216-813-11	RES, CHIP	220 5% 1/16W
L703	1-414-756-11	INDUCTOR	47UH	R638	1-216-809-11	RES, CHIP	100 5% 1/16W
L704	1-412-941-11	INDUCTOR	1.5UH	R639	1-216-826-11	RES, CHIP	2.7K 5% 1/16W
L705	1-414-756-11	INDUCTOR	47UH	R640	1-216-826-11	RES, CHIP	2.7K 5% 1/16W
L706	1-414-755-11	INDUCTOR	22UH	R644	1-216-826-11	RES, CHIP	2.7K 5% 1/16W
L709	1-410-667-31	INDUCTOR	22UH	R646	1-216-809-11	RES, CHIP	100 5% 1/16W
<u>IC LINK</u>				R647	1-216-826-11	RES, CHIP	2.7K 5% 1/16W
PS601	1-532-984-11	LINK, IC	2A/90V	R648	1-216-809-11	RES, CHIP	100 5% 1/16W
<u>TRANSISTOR</u>				R649	1-216-809-11	RES, CHIP	100 5% 1/16W
Q601	8-729-900-53	TRANSISTOR DTC114EK		R650	1-216-809-11	RES, CHIP	100 5% 1/16W
Q602	8-729-900-53	TRANSISTOR DTC114EK		R653	1-216-809-11	RES, CHIP	100 5% 1/16W
Q603	8-729-027-44	TRANSISTOR DTC114TKA-T146		R655	1-216-809-11	RES, CHIP	100 5% 1/16W
Q701	8-729-105-68	TRANSISTOR 2SC3356-K		R656	1-216-809-11	RES, CHIP	100 5% 1/16W
<u>RESISTOR</u>				R666	1-216-809-11	RES, CHIP	100 5% 1/16W
R503	1-216-809-11	RES, CHIP	100 5% 1/16W	R667	1-216-809-11	RES, CHIP	100 5% 1/16W
R504	1-216-809-11	RES, CHIP	100 5% 1/16W	R668	1-216-857-11	RES, CHIP	1M 5% 1/16W
R505	1-216-864-11	SHORT		R670	1-216-065-91	RES, CHIP	4.7K 5% 1/16W
R508	1-216-833-11	RES, CHIP	10K 5% 1/16W	R671	1-216-295-91	SHORT	
R510	1-216-295-91	SHORT		R674	1-216-864-11	SHORT	
R512	1-216-864-11	SHORT		R675	1-216-864-11	SHORT	
R513	1-216-864-11	SHORT		R676	1-216-821-11	RES, CHIP	1K 5% 1/16W
R514	1-216-864-11	SHORT		R677	1-216-821-11	RES, CHIP	1K 5% 1/16W
R515	1-216-821-11	RES, CHIP	1K 5% 1/16W	R678	1-216-821-11	RES, CHIP	1K 5% 1/16W
R519	1-216-864-11	SHORT		R679	1-216-827-11	RES, CHIP	3.3K 5% 1/16W
R601	1-216-809-11	RES, CHIP	100 5% 1/16W	R701	1-216-803-11	RES, CHIP	33 5% 1/16W
R602	1-216-809-11	RES, CHIP	100 5% 1/16W	R703	1-216-864-11	SHORT	
R603	1-216-809-11	RES, CHIP	100 5% 1/16W	R704	1-216-816-11	RES, CHIP	390 5% 1/16W
R604	1-216-825-11	RES, CHIP	2.2K 5% 1/16W	R705	1-216-804-11	RES, CHIP	39 5% 1/16W
R605	1-216-813-11	RES, CHIP	220 5% 1/16W	R706	1-216-805-11	RES, CHIP	47 5% 1/16W
R606	1-216-825-11	RES, CHIP	2.2K 5% 1/16W	R707	1-216-864-11	SHORT	
R607	1-216-825-11	RES, CHIP	2.2K 5% 1/16W	R708	1-216-864-11	SHORT	
R609	1-216-829-11	RES, CHIP	4.7K 5% 1/16W	R712	1-216-829-11	RES, CHIP	4.7K 5% 1/16W
				R713	1-216-827-11	RES, CHIP	3.3K 5% 1/16W
				R714	1-216-833-11	RES, CHIP	10K 5% 1/16W
				R717	1-216-864-11	SHORT	
				R719	1-216-864-11	SHORT	
				R720	1-216-833-11	RES, CHIP	10K 5% 1/16W
				R723	1-216-864-11	SHORT	

# KW-34HD1 DTV Receiver



**Note:** The components identified by shading and mark  $\Delta$  are critical for safety. Replace only with part number specified.

**Note:** Les composants identifiés par un trame et une marque  $\Delta$  sont critiques pour la sécurité. Ne les remplacer que par une pièce portant le numéro spécifié.

REF.NO.	PART NO.	DESCRIPTION	REMARK
R725	1-216-864-11	SHORT	
R726	1-216-845-11	RES, CHIP	100K 5% 1/16W
R728	1-216-864-11	SHORT	
R729	1-216-833-11	RES, CHIP	10K 5% 1/16W
R731	1-216-864-11	SHORT	
R732	1-216-864-11	SHORT	
R733	1-216-864-11	SHORT	
R734	1-216-833-11	RES, CHIP	10K 5% 1/16W
R735	1-216-864-11	SHORT	
R736	1-216-805-11	RES, CHIP	47 5% 1/16W
R737	1-216-864-11	SHORT	
R738	1-216-864-11	SHORT	
R739	1-216-864-11	SHORT	
R740	1-216-864-11	SHORT	
R741	1-216-832-11	RES, CHIP	8.2K 5% 1/16W
R742	1-216-864-11	SHORT	
R743	1-216-835-11	RES, CHIP	15K 5% 1/16W
R745	1-216-864-11	SHORT	
R747	1-216-839-11	RES, CHIP	33K 5% 1/16W
R748	1-216-833-11	RES, CHIP	10K 5% 1/16W
R750	1-216-827-11	RES, CHIP	3.3K 5% 1/16W
R753	1-216-864-11	SHORT	
R757	1-216-805-11	RES, CHIP	47 5% 1/16W
R760	1-216-864-11	SHORT	
R763	1-216-829-11	RES, CHIP	4.7K 5% 1/16W
R764	1-216-821-11	RES, CHIP	1K 5% 1/16W
R765	1-216-805-11	RES, CHIP	47 5% 1/16W
R766	1-216-805-11	RES, CHIP	47 5% 1/16W
R767	1-216-841-11	RES, CHIP	47K 5% 1/16W
R768	1-216-839-11	RES, CHIP	33K 5% 1/16W
R772	1-216-864-11	SHORT	
R776	1-216-825-11	RES, CHIP	2.2K 5% 1/16W
R779	1-216-825-11	RES, CHIP	2.2K 5% 1/16W
R780	1-216-833-11	RES, CHIP	10K 5% 1/16W
R781	1-216-864-11	SHORT	
R783	1-216-825-11	RES, CHIP	2.2K 5% 1/16W
R785	1-216-805-11	RES, CHIP	47 5% 1/16W
R787	1-216-805-11	RES, CHIP	47 5% 1/16W
R789	1-216-805-11	RES, CHIP	47 5% 1/16W
R791	1-216-805-11	RES, CHIP	47 5% 1/16W
R793	1-216-805-11	RES, CHIP	47 5% 1/16W
R795	1-216-805-11	RES, CHIP	47 5% 1/16W
R797	1-216-805-11	RES, CHIP	47 5% 1/16W
R799	1-216-805-11	RES, CHIP	47 5% 1/16W
R801	1-216-805-11	RES, CHIP	47 5% 1/16W
R803	1-216-805-11	RES, CHIP	47 5% 1/16W
R805	1-216-805-11	RES, CHIP	47 5% 1/16W
R807	1-216-805-11	RES, CHIP	47 5% 1/16W
R834	1-216-809-11	RES, CHIP	100 5% 1/16W

REF.NO.	PART NO.	DESCRIPTION	REMARK
<u>VARIABLE RESISTOR</u>			
RV701	1-223-587-11	RES, ADJ, CARBON 22K	
<u>CRYSTAL</u>			
X601	1-577-076-11	VIBRATOR, CRYSTAL	
X701	1-781-113-11	VIBRATOR, CRYSTAL	
<u>TUNER</u>			
TU501 $\Delta$	A-4954-038-A	TUNER UNIT	







**9-965-850-01**

**Sony Corporation**  
Sony Technology Center  
Product Quality Division  
Service Promotion Department

**English**  
98JJ74068-1  
Printed in U.S.A.  
© 1998.10