



DIRECT DRAW DISPENSER

PRO-LINE™ E-SERIES™ 69" - 3 KEG

- Designed by beer-industry experts for performance and value.
- Front breathing for cooling and exhaust.
- Integrated glass rinser: condition the glass before pouring.
- Full-size drain tray – larger work area and improved hygiene.



MDD68-E
Black



Integrated water glass rinser



MDD68S-E
Stainless Steel



Adjustable Digital Thermostat!
Easy to read exterior mounted



Listed by Edison Testing Laboratories.
Conforms to UL & NSF Standards.

www.micromatic.com • 1 (866) 327-4159

PRO-LINE™ E-SERIES™ 69" - 3 KEG

Job Number: _____ Location: _____

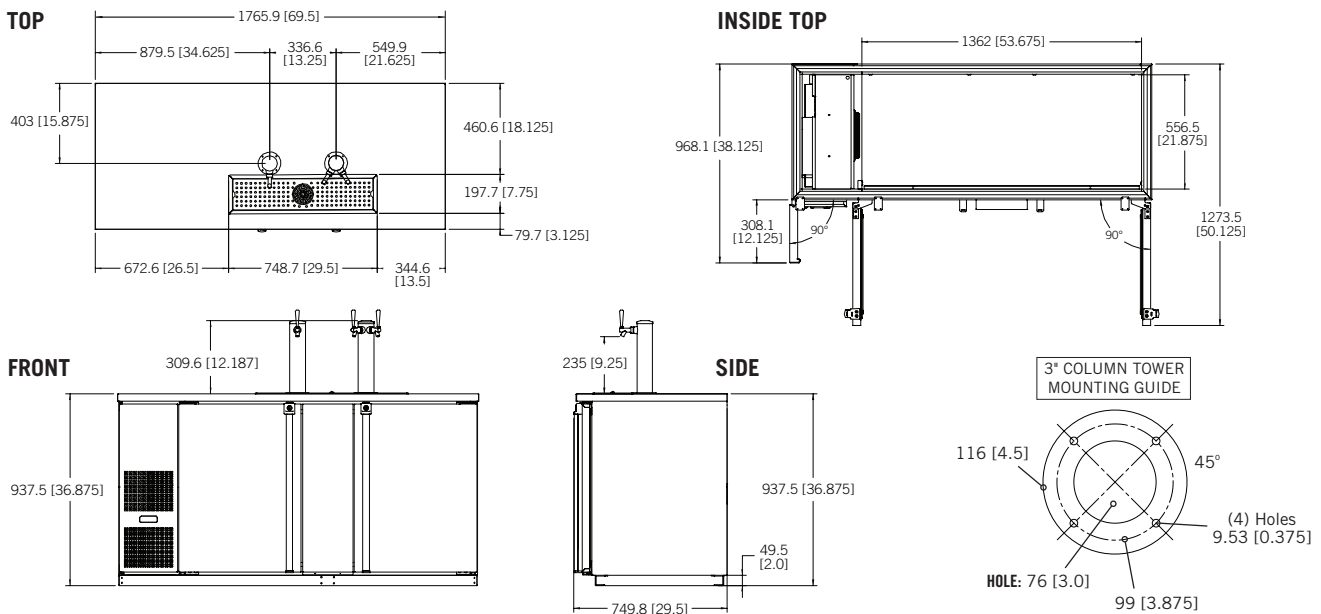
Part No.	Finish	Doors	Shipping Weight
☐ MDD68-E	Black with Solid Doors	2	163 kg
			359 lbs
☐ MDD68S-E	Stainless Steel with Solid Doors	2	163 kg
			359 lbs

Operating Performance

Capacity of 1/2 Kegs	3	Running Amps	3.0
Cubic Feet (liters)	28 (793)	Voltage	115/60/1
Draft Towers	2	Plug Type	NEMA-5-15P
Faucets	3	Cord Length	8'
Beer Tower Approval	NSF 7.0 & NSF 18	Refrigerant	R290
Approval	ETL Listed	Charge oz (grs)	4.9
Condenser HP	1/3		

Exterior	All Models: 18 gauge 201 grade stainless steel (s/s) top, 22 gauge solid doors, 24 gauge steel front, sides and back. Black Models: Front, sides, back and doors black vinyl over steel. S/S Models: Front, sides, back and doors are s/s.
Interior	20 gauge stainless steel floor and walls, rugged false floor, reinforced frame
Ventilation	Front breathing for cooling and exhaust
Plumbing	Automatic condensate evaporator, no drain connection required. Evaporator condensate has been plumbed to a condensate pan located in the compressor housing.
Glass Rinsers	15-20 psi water connection. It is recommended a licensed plumber connect the glass rinsers to the water supply line. Always use an in-line shut-off and water pressure regulator. Micro Matic shall not be held liable for damage caused by improper installation.
Insulation	Foamed-in-place using high density, CFC-free polyurethane; 2" top, walls and floor
Accessories	Casters or 6" fixed legs

Dimensions



 **MICRO MATIC**
 Toll-Free: 1-866-327-4159
www.micromatic.com

West
 19791 Bahama St.
 Northridge, CA 91324
 Tel. (818) 701-9765
 Fax. (818) 701-9844

Central
 10726 North Second St.
 Machesney Park, IL 61115
 Tel. (815) 968-7557

Southeast
 15111 Dispense Ln.
 Brooksville, FL 34604
 Tel. (352) 799-6331

Northeast
 4601 Saucon Creek Rd.
 Center Valley, PA 18034
 Tel. (610) 625-4464
 Fax. (610) 625-4466