

6

5

4

3

2

1

D

C

B

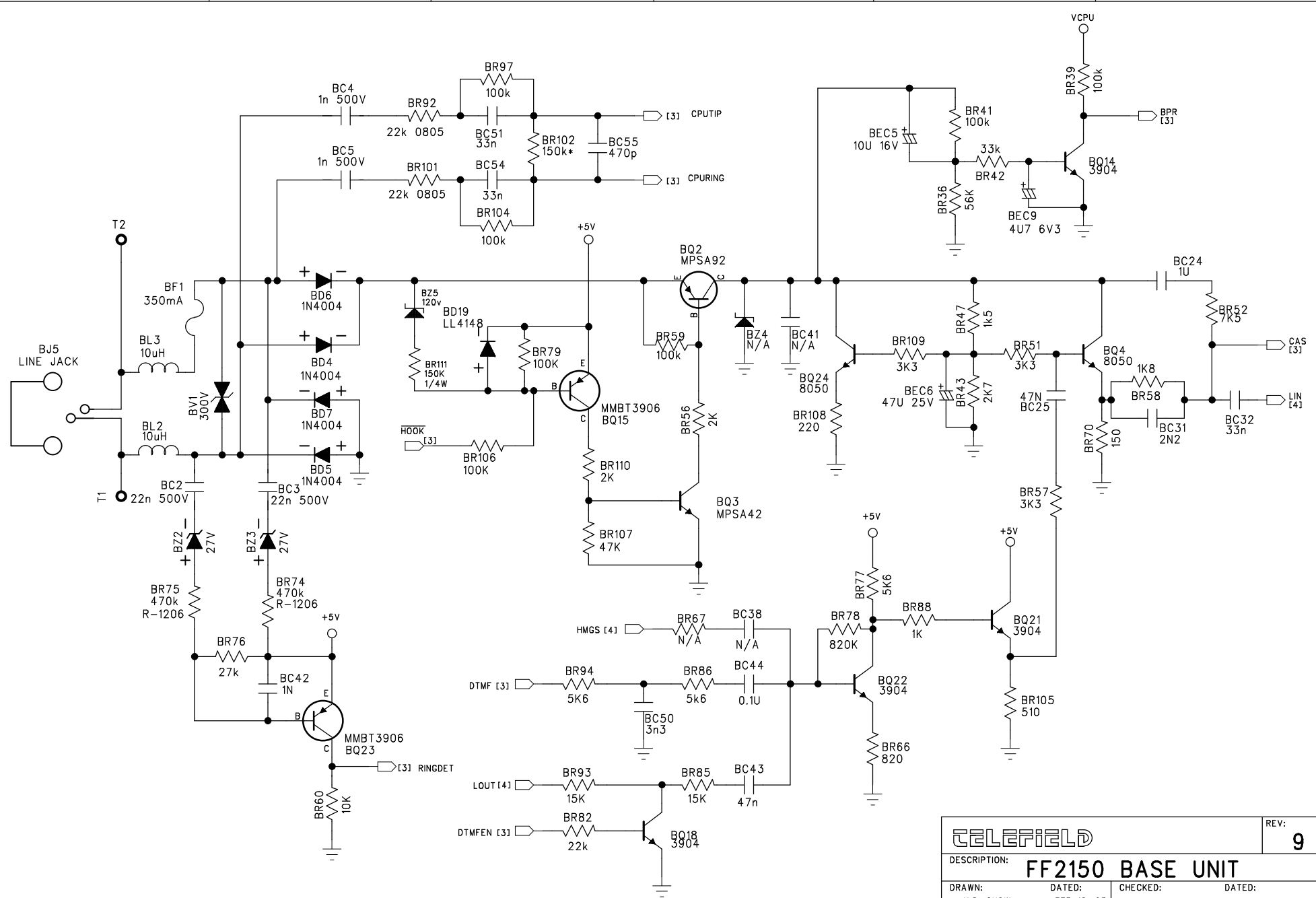
A

D

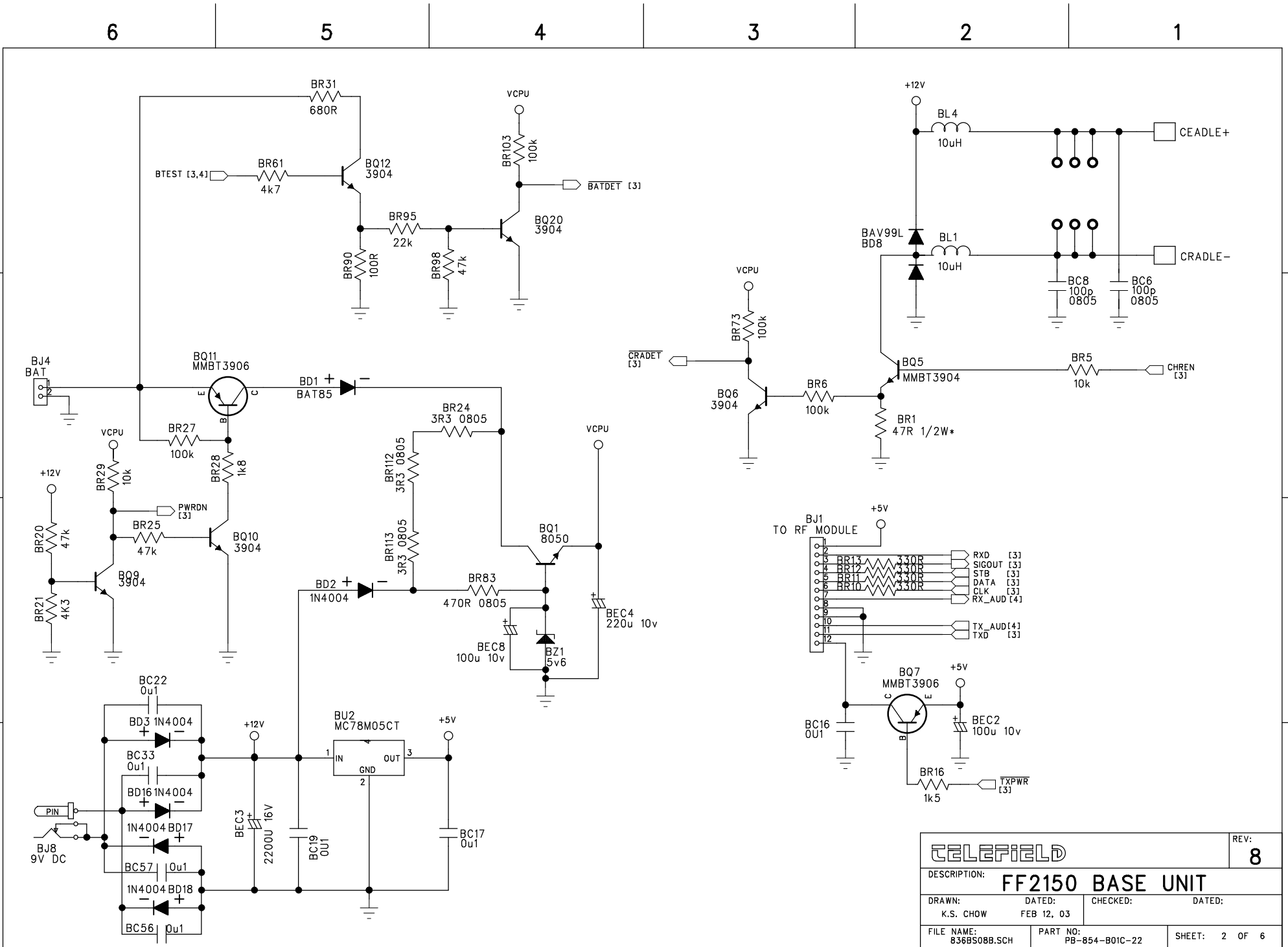
C

B

A



|                                      |                         |               |        |
|--------------------------------------|-------------------------|---------------|--------|
| <b>TELEFIELD</b>                     |                         | REV: <b>9</b> |        |
| DESCRIPTION: <b>FF2150 BASE UNIT</b> |                         |               |        |
| DRAWN: K.S. CHOW                     | DATED: FEB 12, 03       | CHECKED:      | DATED: |
| FILE NAME: 836BS08B.SCH              | PART NO: PB-854-B01C-22 | SHEET: 1 OF 6 |        |



|                               |                |               |        |
|-------------------------------|----------------|---------------|--------|
| TELEFIELD                     |                | REV:          | 8      |
| DESCRIPTION: FF2150 BASE UNIT |                |               |        |
| DRAWN:                        | DATED:         | CHECKED:      | DATED: |
| K.S. CHOW                     | FEB 12, 03     |               |        |
| FILE NAME:                    | PART NO:       | SHEET: 2 OF 6 |        |
| 836BS08B.SCH                  | PB-854-B01C-22 |               |        |

6 5 4 3 2 1

D

C

B

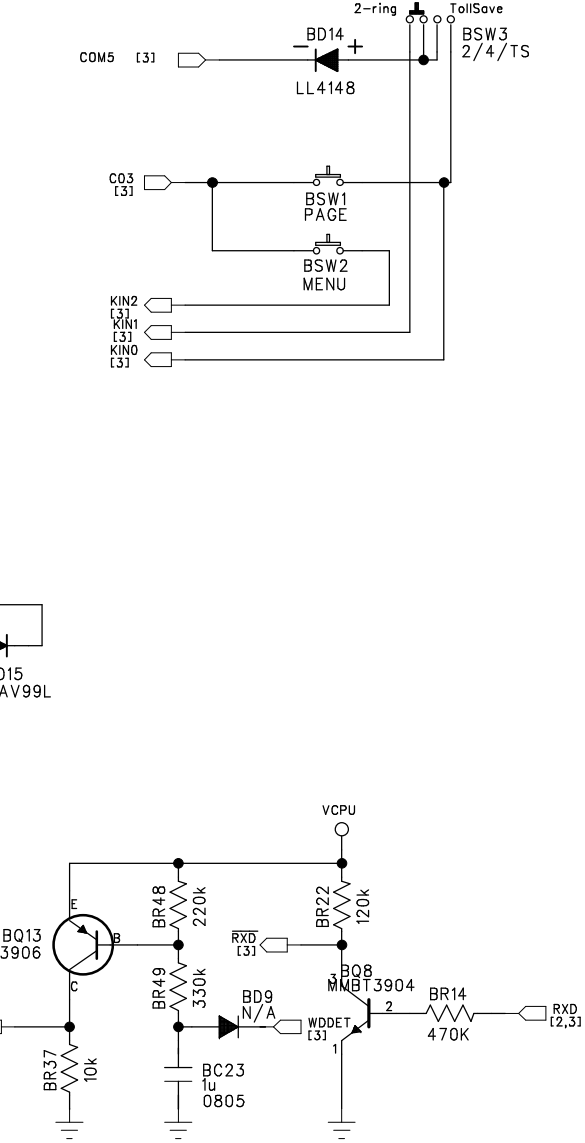
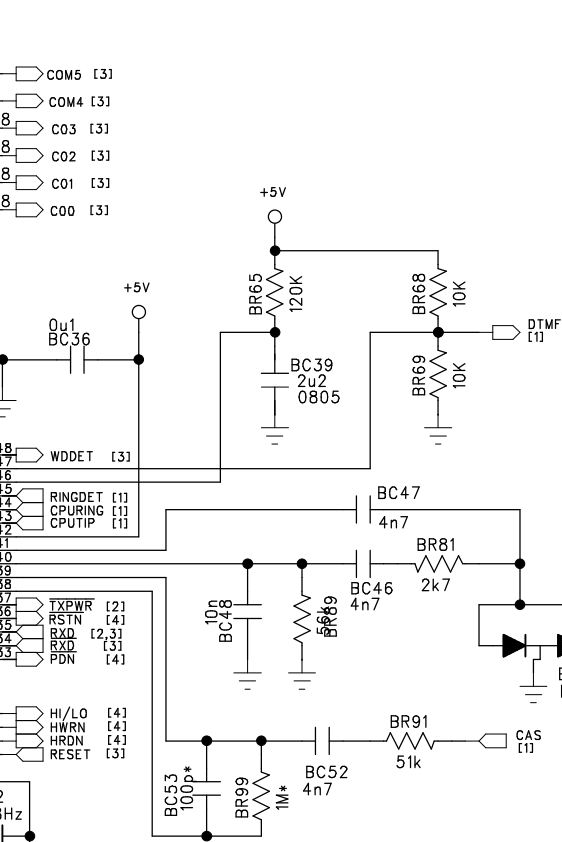
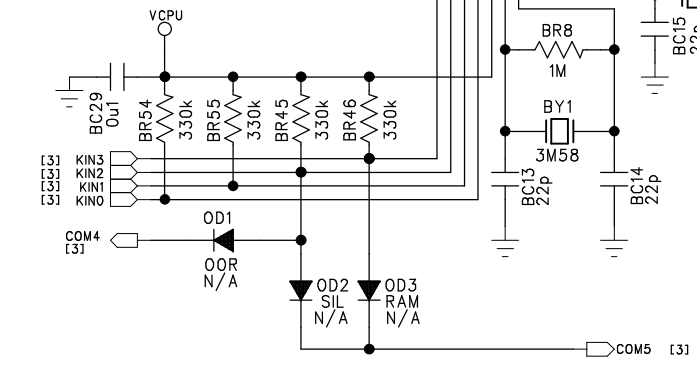
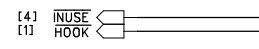
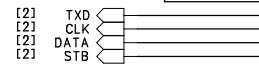
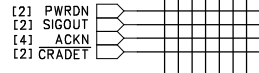
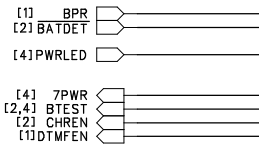
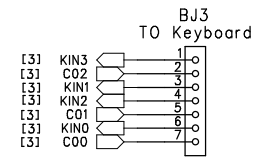
A

D

C

B

A



|                               |                         |               |        |
|-------------------------------|-------------------------|---------------|--------|
| TELEFIELD                     |                         | REV: 8        |        |
| DESCRIPTION: FF2150 BASE UNIT |                         |               |        |
| DRAWN: K.S. CHOW              | DATED: FEB 12, 03       | CHECKED:      | DATED: |
| FILE NAME: 854BS08B.SCH       | PART NO: PB-854-B01C-22 | SHEET: 3 OF 6 |        |

6

5

4

3

2

1

D

C

B

A

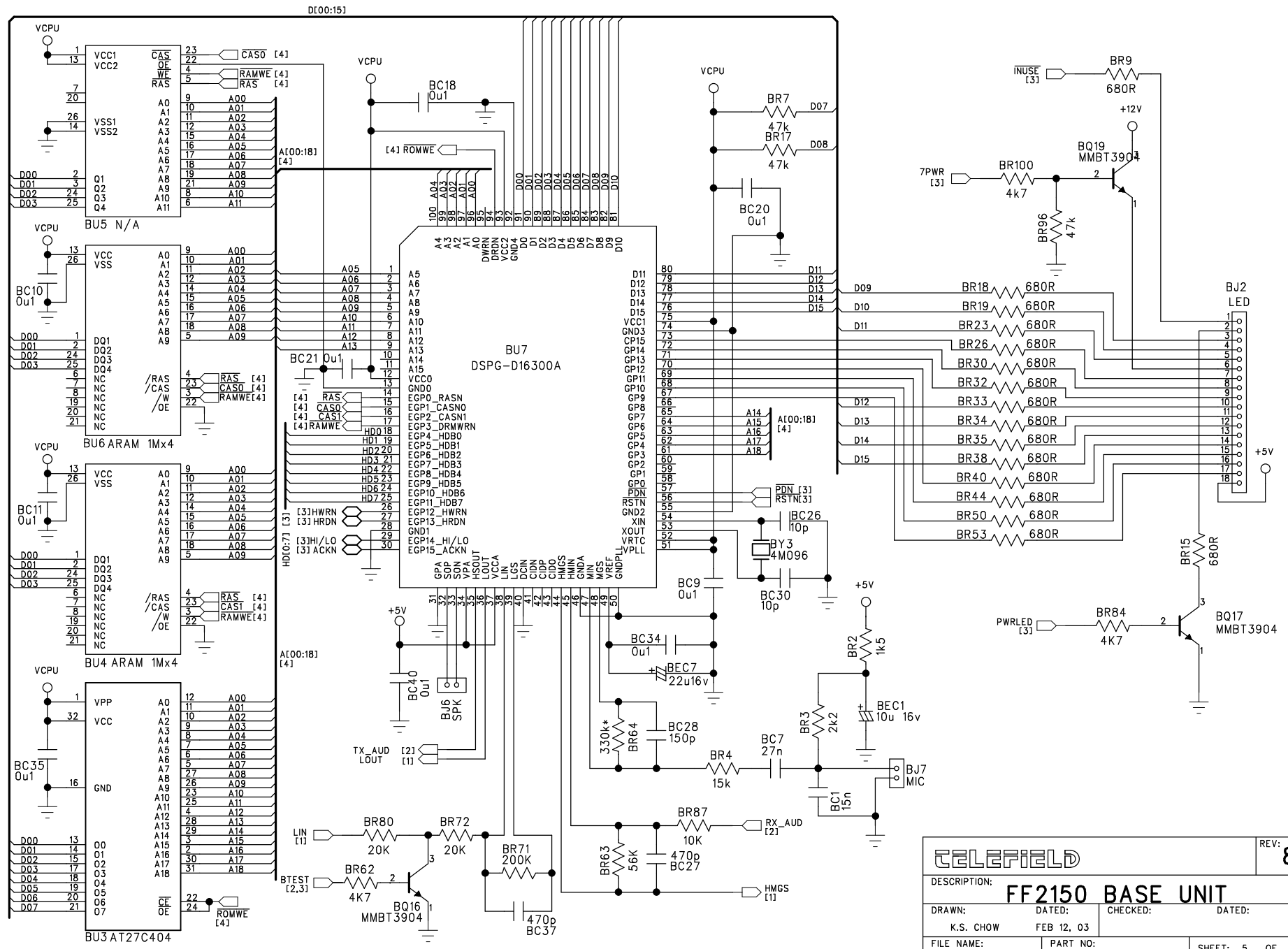
D

C

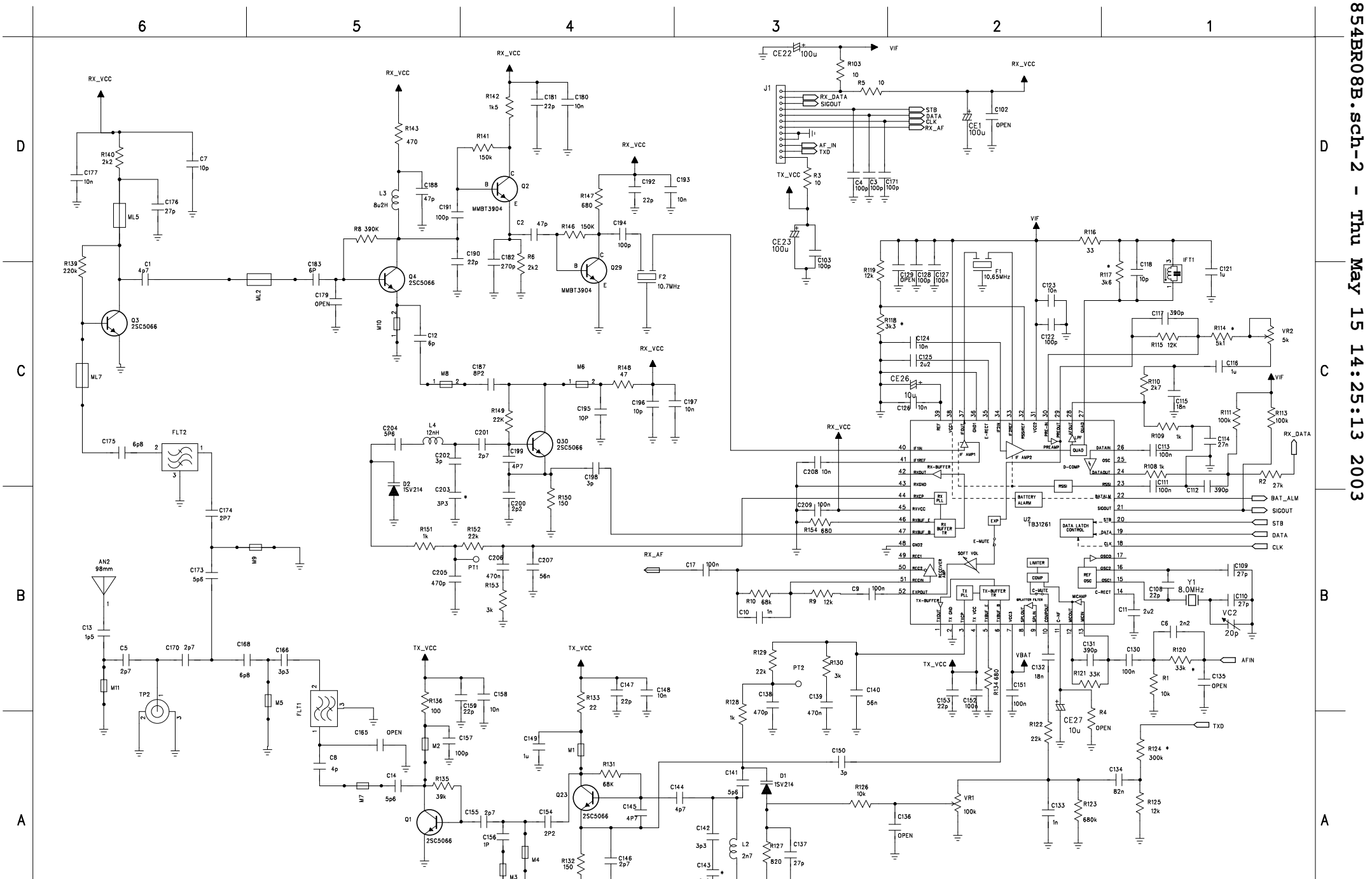
B

A

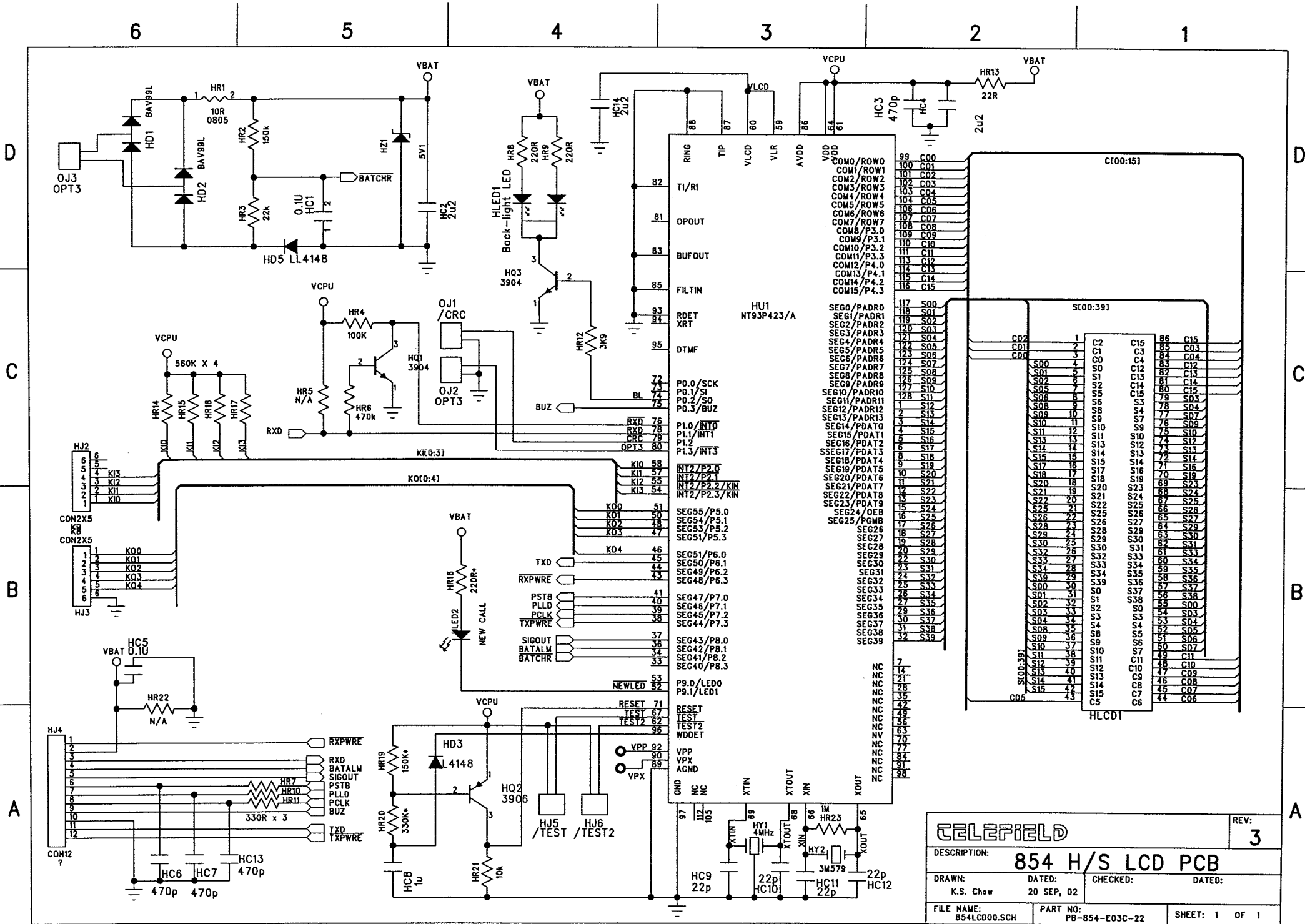
11



|                                      |                         |                 |
|--------------------------------------|-------------------------|-----------------|
| <b>TELEFIELD</b>                     |                         | REV: <b>8</b>   |
| DESCRIPTION: <b>FF2150 BASE UNIT</b> |                         |                 |
| DRAWN: K.S. CHOW                     | DATED: FEB 12, 03       | CHECKED: DATED: |
| FILE NAME: 854BS08B.SCH              | PART NO: PB-854-B01C-22 | SHEET: 5 OF 6   |



|                          |          |           |               |
|--------------------------|----------|-----------|---------------|
| <b>Telefield 854br07</b> |          | TITLE:    | 854br07       |
|                          |          | FILENAME: |               |
| DRAWN:                   | Kam Chan | DATE:     | Dec. 16, 2002 |
| CHECKED:                 |          | DATE:     |               |
| SHEET:                   | OF       | DOC. NO.: | REV.:         |



|                                     |                         |               |          |
|-------------------------------------|-------------------------|---------------|----------|
| <b>TELEFIELD</b>                    |                         | REV:          | <b>3</b> |
| DESCRIPTION: <b>854 H/S LCD PCB</b> |                         |               |          |
| DRAWN: K.S. Chow                    | DATED: 20 SEP, 02       | CHECKED:      | DATED:   |
| FILE NAME: B54LCD00.SCH             | PART NO: PB-854-E03C-22 | SHEET: 1 OF 1 |          |

6

5

4

3

2

1

D

C

B

A

D

C

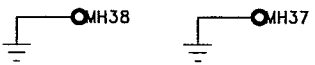
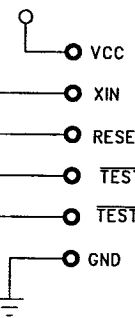
B

A

SE00:391

- S00 ○ A0
- S01 ○ A1
- S02 ○ A2
- S03 ○ A3
- S04 ○ A4
- S05 ○ A5
- S06 ○ A6
- S07 ○ A7
- S08 ○ A8
- S09 ○ A9
- S10 ○ A10
- S11 ○ A11
- S12 ○ A12
- S13 ○ A13
- S14 ○ D0
- S15 ○ D1
- S16 ○ D2
- S17 ○ D3
- S18 ○ D4
- S19 ○ D5
- S20 ○ D6
- S21 ○ D7
- S22 ○ D8
- S23 ○ D9
- S24 ○ OEB
- S25 ○ PGMB

VCPU



|                  |          |          |        |
|------------------|----------|----------|--------|
| <b>TELEFIELD</b> |          |          | REV:   |
| DESCRIPTION:     |          |          |        |
| DRAWN:           | DATED:   | CHECKED: | DATED: |
| FILE NAME:       | PART NO: | SHEET:   | OF     |

2003/03/10 10:36:31 AM

6

5

4

3

2

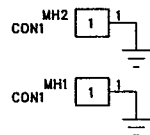
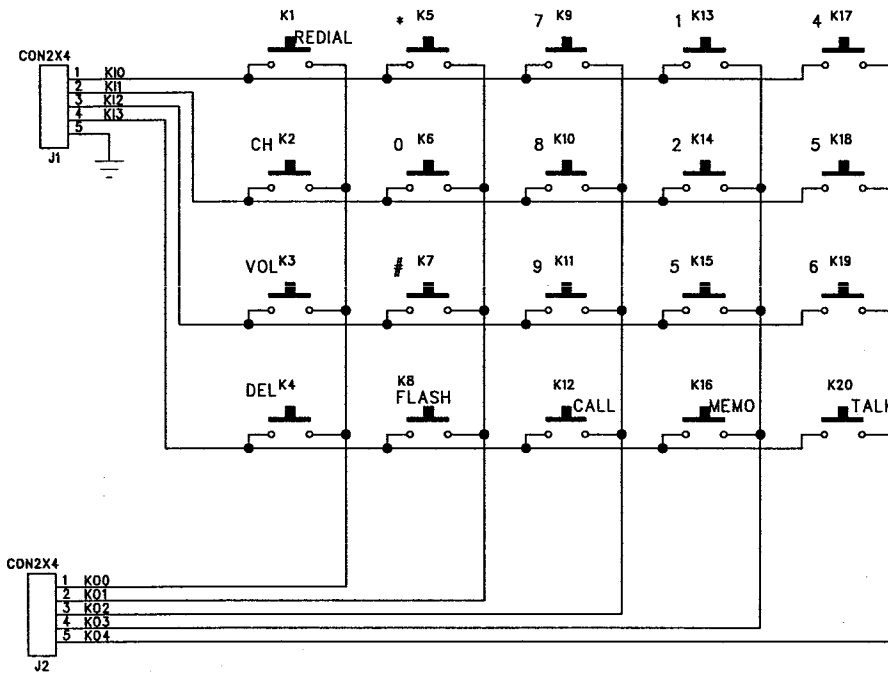
1

D

C

B

A



|                               |                       |               |        |
|-------------------------------|-----------------------|---------------|--------|
| <b>TELEFIELD</b>              |                       | REV:          | 0      |
| DESCRIPTION: 854 H/S KEYBOARD |                       |               |        |
| DRAWN:<br>K.S.CHOW            | DATED:<br>SEP 20,2002 | CHECKED:      | DATED: |
| FILE NAME:<br>B54HKB00.SCH    | PART NO:              | SHEET: 1 OF 1 |        |



6

5

4

3

2

1

D

C

B

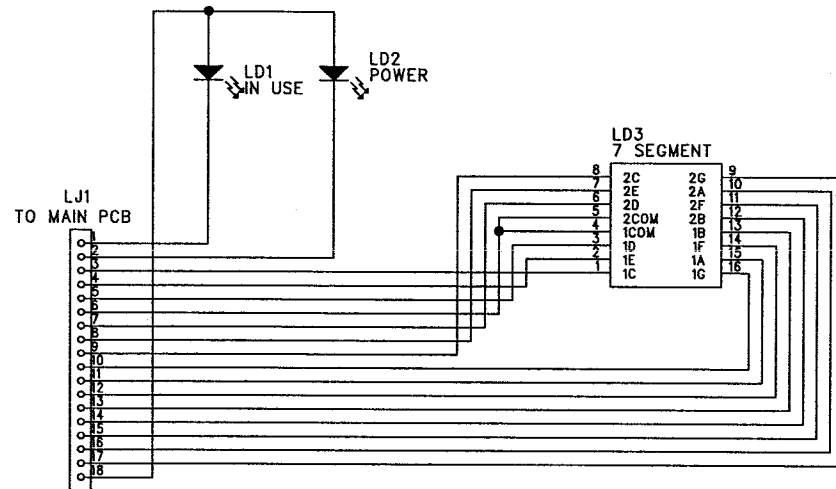
A

D

C

B

A



|                  |          |          |        |      |
|------------------|----------|----------|--------|------|
| <b>TELEFIELD</b> |          |          |        | REV: |
| DESCRIPTION:     |          |          |        |      |
| DRAWN:           | DATED:   | CHECKED: | DATED: |      |
| FILE NAME:       | PART NO: | SHEET:   | OF     |      |

6

5

4

3

2

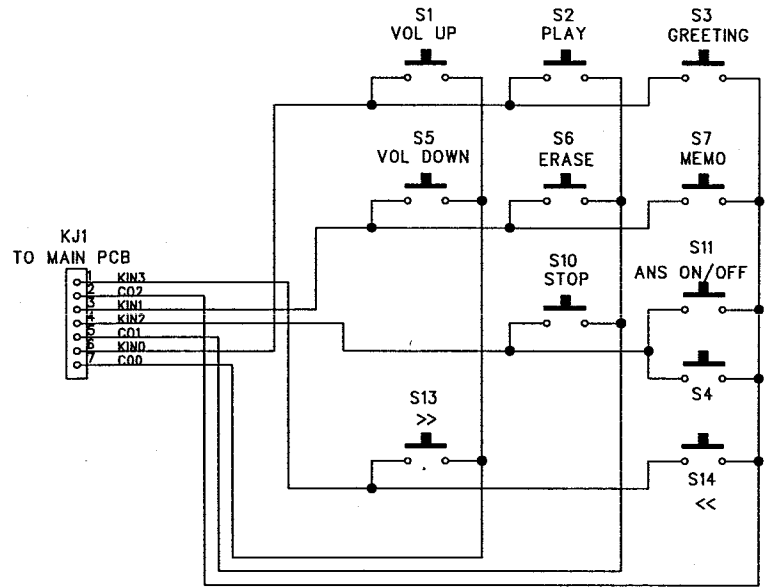
1

D

C

B

A



1 TP1 PAD60

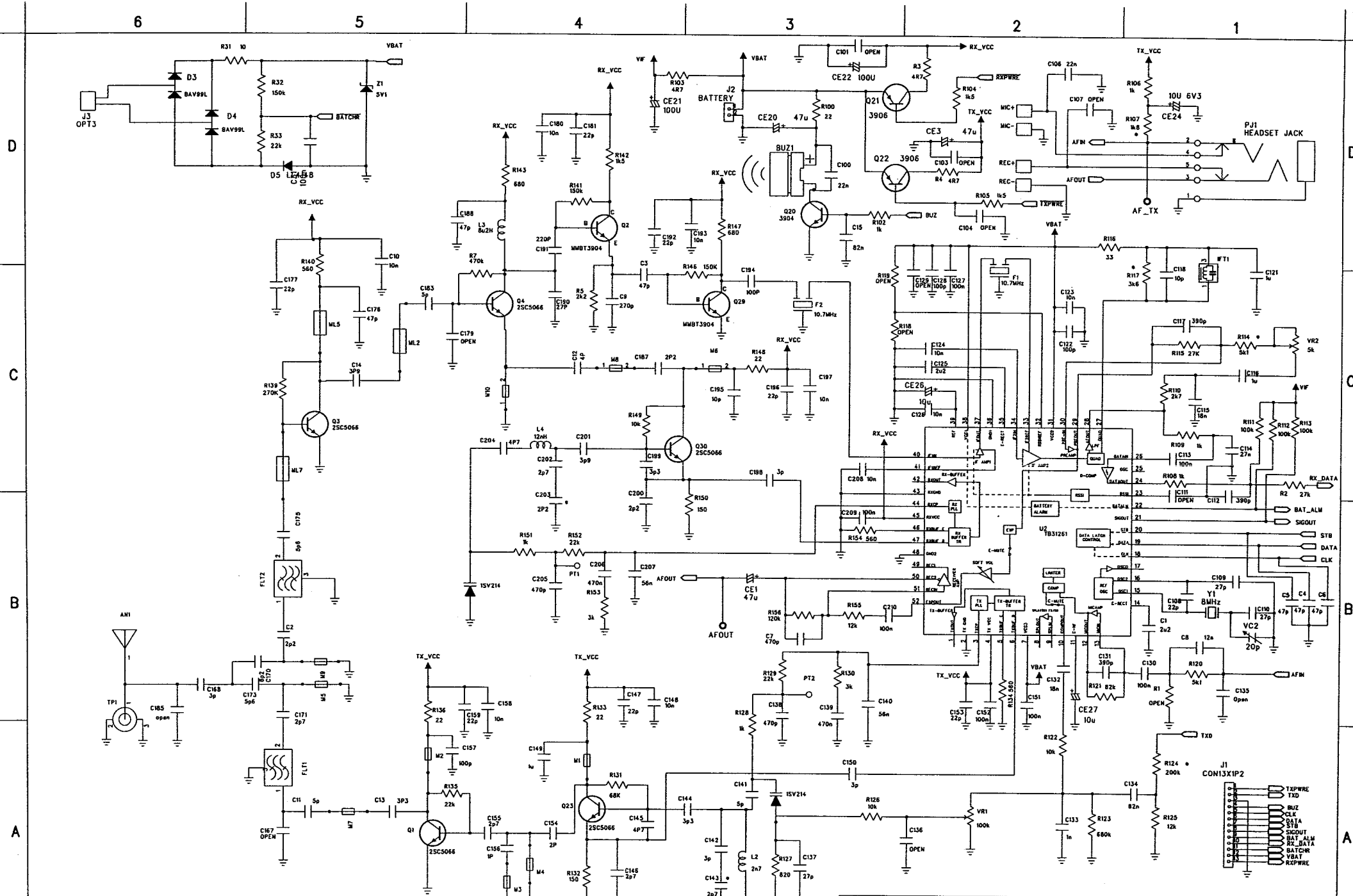
TELEFIELD

REV: 0

DESCRIPTION: 854 H/S KEYBOARD

|                    |                        |          |        |
|--------------------|------------------------|----------|--------|
| DRAWN:<br>K.S.CHOW | DATED:<br>SEP 20, 2002 | CHECKED: | DATED: |
|--------------------|------------------------|----------|--------|

|                            |          |               |
|----------------------------|----------|---------------|
| FILE NAME:<br>854HKB00.SCH | PART NO: | SHEET: 1 OF 1 |
|----------------------------|----------|---------------|



|                  |                |                                    |                         |
|------------------|----------------|------------------------------------|-------------------------|
| <b>Telefield</b> | <b>854hr05</b> | TITLE:<br>DRAWN: <b>Karin Chan</b> | DATE: <b>Dec. 2, 02</b> |
|                  | FILENAME:      | CHECKED:                           | DATE:                   |
|                  |                | SHEET: <b>01</b>                   | REV.:                   |