

# Smart Wire-Free Security Camera System

Tapo C420S1



2K  
QHD

Tapo C420S2



works with alexa

Tapo C420S4

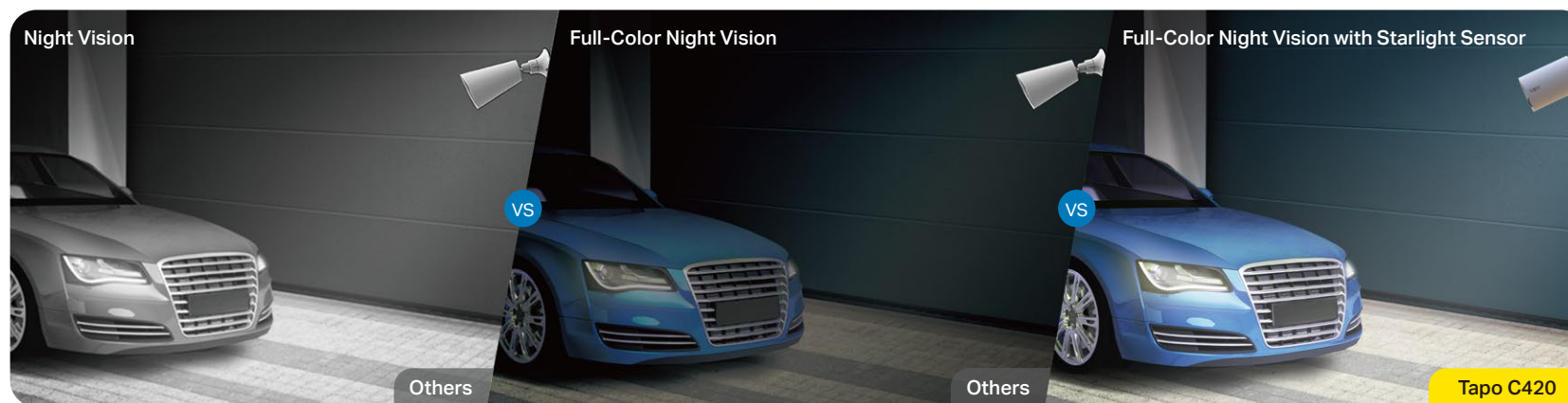


works with Google Home

## // Highlight

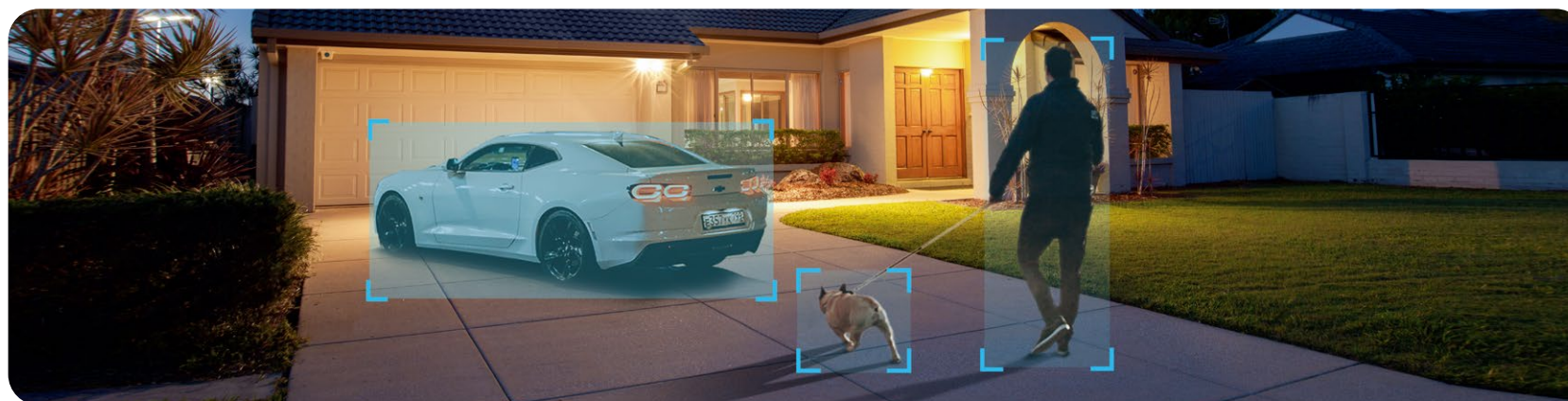
### Enhanced Color Night Vision

Reveal high-fidelity details and color at night with the spotlights and starlight sensor.



### Free Person/Pet/Vehicle Detection

Smart AI identifies people, pets, and vehicles, notifying users as needed.



## // Features



### 2K QHD

Now with 1.7 times more pixels than 1080p, providing clearer videos and photos.



### Color Night Vision

Reveal high-fidelity details and color at night with the starlight sensor.



### 180-Day Battery Life<sup>Δ</sup>

The rechargeable and removable battery with a low-power protocol extends your usage.



### Wire-Free Placement

No wires means you can place the cameras almost anywhere inside or outside – whatever works for you!



### Sound and Light Alarm

Trigger sound and light as an alarm when motion is detected.



### Two-Way Audio

Enables communication through a built-in microphone and speaker.



### IP65 Weatherproof

Helps Tapo camera perform well even in harsh environments with rain and dust.

Note: The hub can be used indoor only.



### Flexible Storage Choices

Save recorded videos on the hub-installed microSD card<sup>†</sup> (up to 512 GB) or by using Tapo Care<sup>\*\*</sup> cloud storage services.

## // Specifications

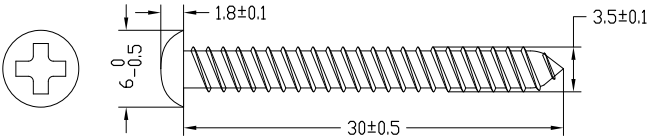
<b>Camera</b>	<b>Image Sensor</b>	1/3" Progressive Scan CMOS Starlight Sensor
	<b>Lens</b>	Focal Length: 3.2 mm Aperture: F1.6 Field of View: 113° (Diagonal), 97° (Horizontal), 54° (Vertical)
	<b>Night Vision</b>	850 nm IR LED (49 ft / 15 m) Color Night Vision
	<b>Night Mode</b>	IR Mode / Full-Color Mode / Smart Mode
	<b>Day/Night Switch</b>	IR-Cut Filter with Auto-Switching
	<b>Lighting</b>	2× Built-in Spotlights
	<b>Interface &amp; Button</b>	1× SYNC/RESET Button
	<b>Hub Compatibility</b>	Compatible with H200 (Included)
<b>Hub</b>	<b>Device Compatibility</b>	Works with Tapo smart sensors, buttons, Sub-1G switches, cameras, and video doorbells.  Supported Products: T100/T110/T300/T310/T315/S200B/S200D/S210/S220 C420/C400/D230...  More coming soon: <a href="https://www.tp-link.com/tapo-h200/product-list/">https://www.tp-link.com/tapo-h200/product-list/</a>
	<b>Connection Capacity</b>	Up to 64 Sub-1G switches, sensors, or buttons + 4 cameras or video doorbells

<b>Hub</b>	<b>Interface &amp; Button</b>	1× Ethernet Port 1× RESET Button 1× SYNC Button 1× microSD Card Slot (Up to 512 GB)
<b>Video &amp; Audio</b>	<b>Maximum Resolution</b>	2K QHD 4MP (2560 × 1440 px)
	<b>Frame Rate</b>	15 fps/20 fps
	<b>Digital Zoom</b>	12×
	<b>Video Compression</b>	H.264
	<b>Live View</b>	Yes
	<b>Image Enhancement</b>	3D DNR WDR
	<b>Audio Input &amp; Output</b>	Built-in Microphone and Speaker
	<b>Audio Communication</b>	Two-Way Audio with Noise Cancellation
<b>Storage</b>	<b>Local Storage</b>	microSD Card Slot on Hub (Up to 512 GB)
	<b>Cloud Storage</b>	Tapo Care Cloud Storage Services (Subscription required)

<b>Detection &amp; Notification</b>	<b>Sensor</b>	Single Motion Sensor (FOV: 110° horizontal) Single Ambient Light Sensors
	<b>Detection</b>	Motion Detection Person Detection Pet Detection Vehicle Detection
	<b>Activity Zones</b>	Yes
	<b>Output Notification</b>	System Notification System Notification with Snapshot (Tapo Care Services) System Notification with Clips (Tapo Care Services)
<b>Network</b>	<b>Network Connectivity</b>	Connect via Wi-Fi or Ethernet
	<b>Wireless Connectivity</b>	IEEE 802.11b/g/n, 2.4 GHz Wi-Fi Sub-1G, 868MHz or 922MHz (Used for local connection between camera and hub)
	<b>Transmission Rate</b>	Camera: 11b: 11 Mbps 11g: 54 Mbps 11n: 72.2 Mbps Hub: 11b: 11 Mbps 11g: 54 Mbps 11n: 300 Mbps
	<b>Protocol</b>	TCP/IP, ICMP, DNS, HTTPS, TCP, UDP
	<b>Max. Distance Between Hub and Camera/Doorbell</b>	524.93 ft / 160 m *
<b>Network</b>	<b>Ethernet Port</b>	1× 10/100 Mbps RJ45 Port on Hub

\*Actual distance will vary based on many factors, such as the thickness of the walls, obstructions within the house, and the location of the router.

<b>Security</b>	<b>Security</b>	128-bit AES Encryption with SSL/TLS WPA/WPA2-PSK
<b>Power</b>	<b>Power Source</b>	Hub: 9V DC Power Adapter Camera: Removable Rechargeable Lithium-ion Battery Optional Solar Panel: Tapo A200 (Sold separately)
	<b>Input Voltage</b>	Camera Battery Pack Adapter Input: 100-240 V, 50/60 Hz Hub Adapter Input: 100-240 V, 50/60 Hz, 0.3 A
	<b>Output Voltage</b>	Camera Battery Pack Adapter Output: 5.0 V, 1.0 A Hub Adapter Output: 9.0 V, 0.85 A
	<b>DC Power Connector Size</b>	Hub Adapter: Inside Ø: 0.08 in. / 2.1 mm Outside Ø: 0.22 in. / 5.5 mm
	<b>Power Cord Length</b>	Hub Adapter Cord Length: 4.92 ft / 1.5 m USB Adapter Cable Length: 1.64 ft / 0.5 m
	<b>Typical Power Consumption</b>	Camera Typical Power Consumption: 0.928 W
	<b>Maximum Power Consumption</b>	Camera Max Power Consumption: 2.39 W
	<b>General</b>	<b>Certifications</b>
<b>Smart Integration</b>		Google Assistant, Amazon Alexa
<b>Weather Resistance</b>		IP65 (Camera)
<b>System Requirements</b>		Tapo App: iOS 11.0 or higher, Android 5.0 or higher
<b>Mounting Options</b>		Tabletop Ceiling-Mounted Wall-Mounted

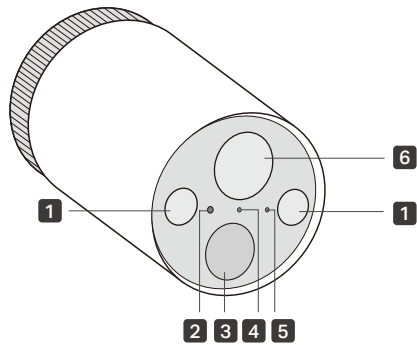
<b>General</b>	<b>Operating Temperature</b>	Camera: -20°C ~ 45°C (-4 °F ~ 113 °F ) Hub: 0°C ~ 40°C (32 °F ~ 104 °F )
	<b>Storage Temperature</b>	-20°C ~ 60°C (-4 °F ~ 140 °F )
	<b>Operating Humidity</b>	10%~90% RH, Non-condensing
	<b>Storage Humidity</b>	5%~90% RH, Non-condensing
	<b>Charging Temperature</b>	0°C ~ 55°C (32 °F ~ 131 °F )
	<b>Screw Size</b>	
	<b>Dimensions</b>	Camera Dimensions: 4.35 × 2.52 × 2.52 in (110.6 × 64.2 × 64.2 mm) Hub Dimensions: 2.8 × 2.8 × 1.2 in (71.45 × 71.45 × 31.25 mm)
	<b>Weight</b>	Camera Weight: 5.88 oz / 166.74 g Hub Weight: 2.54 oz / 71.9 g
	<b>Package Contents</b>	For Tapo C420S1: Tapo C420 Camera ×1 Tapo H200 Hub ×1 Tapo A100 Battery ×1 USB Adapter ×1 USB Adapter Cable ×1 Power Adapter ×1 Mounting Anchors ×3 Mounting Screws ×3 Mounting Template ×1 Camera Bracket ×1 RJ45 Ethernet Cable ×1 Quick Start Guide



<b>General</b>	<b>Package Contents</b>	<p>For Tapo C420S2:</p> <ul style="list-style-type: none"> <li>Tapo C420 Cameras ×2</li> <li>Tapo H200 Hub ×1</li> <li>Tapo A100 Batteries ×2</li> <li>USB Adapter ×1</li> <li>USB Adapter Cable ×1</li> <li>Power Adapter ×1</li> <li>Mounting Anchors ×6</li> <li>Mounting Screws ×6</li> <li>Mounting Templates ×2</li> <li>Camera Brackets ×2</li> <li>RJ45 Ethernet Cable ×1</li> <li>Quick Start Guide</li> </ul>
		<p>For Tapo C420S4:</p> <ul style="list-style-type: none"> <li>Tapo C420 Cameras ×4</li> <li>Tapo H200 Hub ×1</li> <li>Tapo A100 Batteries ×4</li> <li>USB Adapter ×1</li> <li>USB Adapter Cable ×1</li> <li>Power Adapter ×1</li> <li>Mounting Anchors ×12</li> <li>Mounting Screws ×12</li> <li>Mounting Templates ×4</li> <li>Camera Brackets ×4</li> <li>RJ45 Ethernet Cable ×1</li> <li>Quick Start Guide</li> </ul>

# // Appearance

## Front



**1** Spotlights

**2** Light Sensor

**3** Motion Sensor

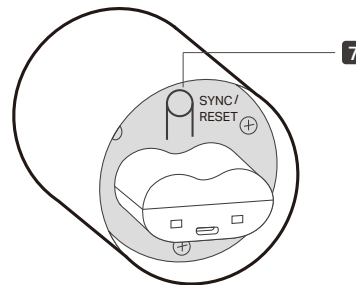
**4** Status LED

Indicate the status of your camera.

**5** Microphone

**6** Lens

## Back



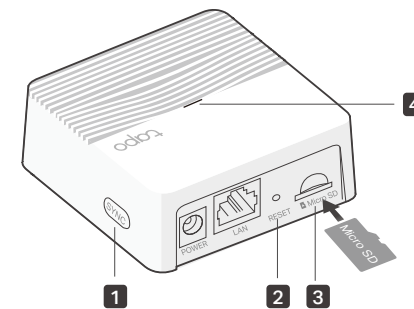
**7** SYNC/RESET Button

While the camera is powered on:

Press for 1 second: Pair with the hub

Press and hold for about 5 seconds: Reset the camera

## Hub Appearance



**1** SYNC Button

Press to pair with the camera, or silence the hub when it rings.

**2** RESET

Use a pin to press and hold for about 5 seconds until the hub LED quickly blinks red to reset the hub.

**3** microSD Card Slot

Insert a microSD card to record camera videos locally.

Initialize the microSD card within the Tapo app first.

\*microSD card not included.

**4** Status LED

Indicate the status of your hub.

Notes: Connect up to 4 cameras to a hub.

Note: The hub can be used indoor only.

<sup>1</sup>180-day battery life is based on TP-Link's laboratory testing with 10-20 triggered events per day. Actual battery life may vary based on device settings, use, and environmental factors.

<sup>2</sup>microSD card needs to be purchased separately.

<sup>\*\*</sup>Tapo Care needs to be subscribed separately.

Specifications are subject to change without notice. All brands and product names are trademarks or registered trademarks of their respective holders.

©2024 TP-Link