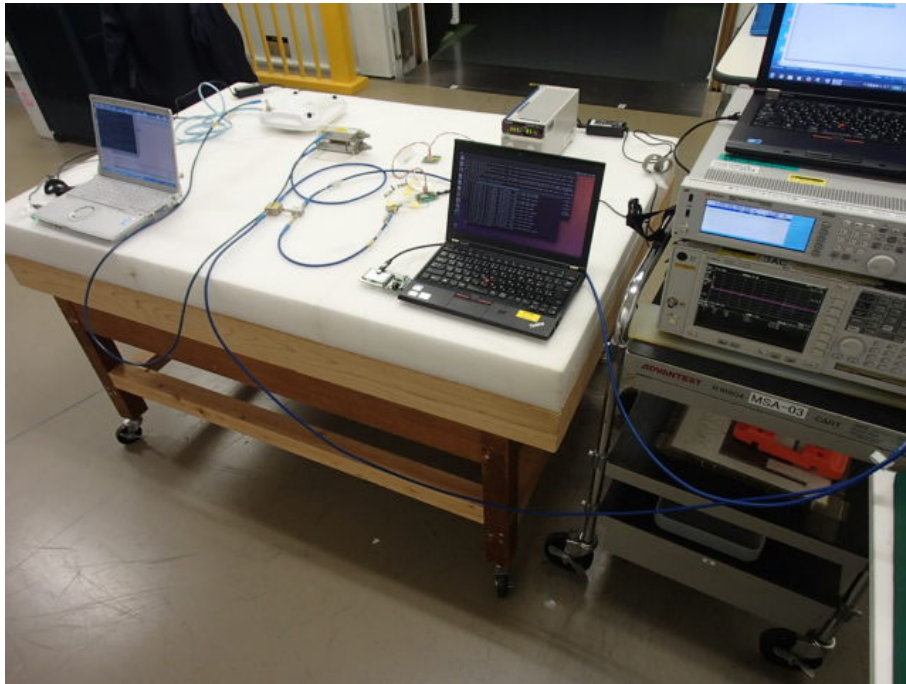
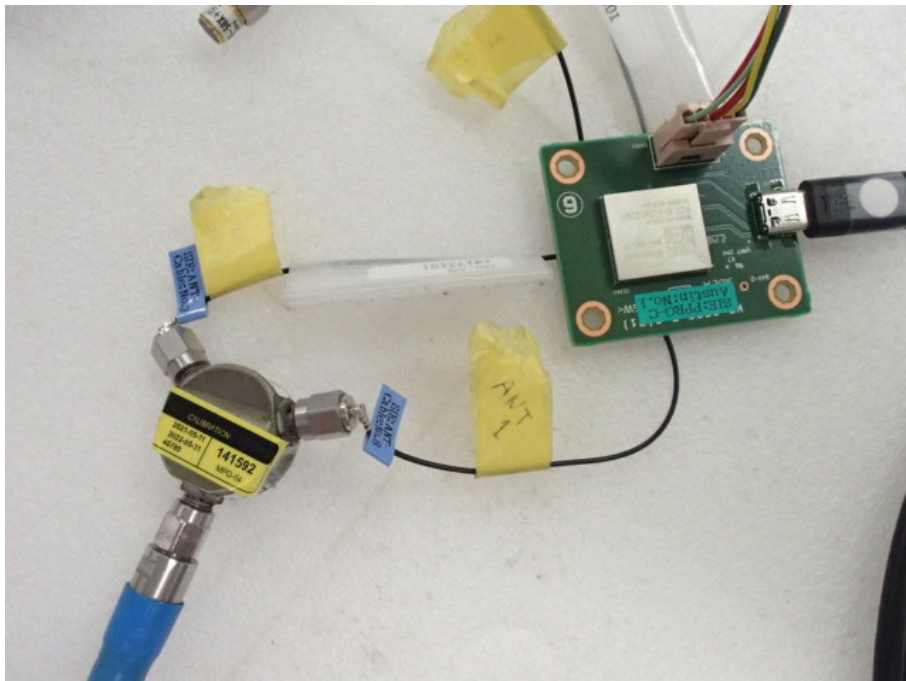


---

**APPENDIX 2: Photographs of Test Setup**

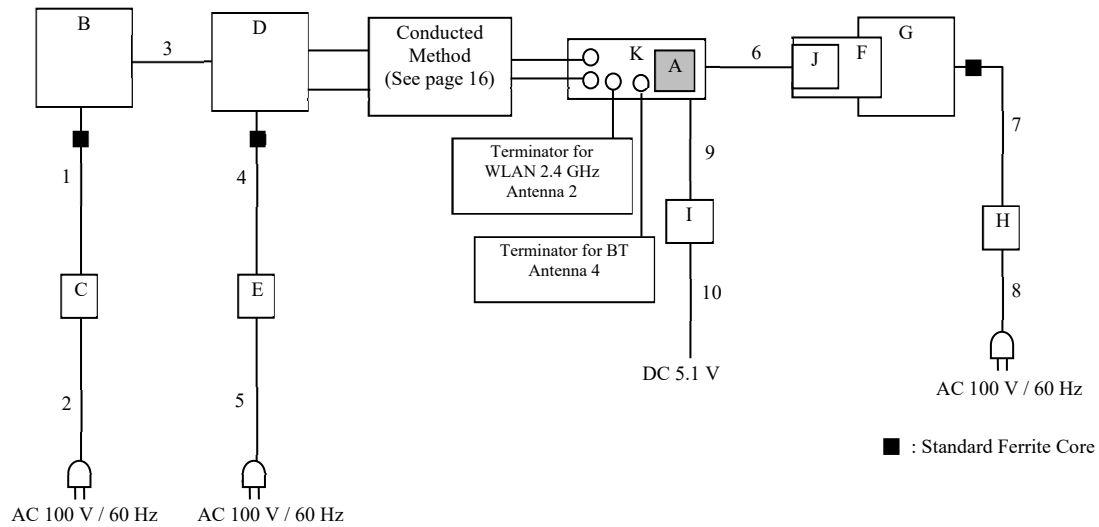


**Photo 1**



**Photo 2**

### Test Configuration and peripherals



\* Cabling and setup(s) were taken into consideration and test data was taken under worse case conditions.

#### Description of EUT and Support equipment

No.	Item	Model number	Serial number	Manufacturer	Remark
A	Wireless communication module	AW-XM546	Austin:No.1	AzureWave	EUT
B	Laptop PC	CF-N8HWCDPS	0BKSA07449	Panasonic	-
C	AC Adaptor	CF-AA6372B M6	6372BM409X17298B	Panasonic	-
D	WLAN access point	AIR-CAP3702E-A-K9	FTX182276QC	Cisco Systems	-
E	AC Adaptor	AA25480L	ALD030406GR	Cisco Systems	-
F	Jig Board	EC-MC Extender	EC-MC No.2	Marvell	-
G	Laptop PC	Think Pad X230	R9-X86PD	Lenovo	-
H	AC Adaptor	92P1156	11S92P1156Z1ZDXN849DRH	Lenovo	-
I	Power supply jig	Ppro-C P-JIG	No.2	-	-
J	Jig Board	MC-USB Extender	PCIE-USB No.2	Sony Interactive Entertainment Inc.	-
K	Jig Board	Austin Con	Austin:No.1	Sony Interactive Entertainment Inc.	-

#### List of cables used

No.	Name	Length (m)	Shield		Remark
			Cable	Connector	
1	DC Cable	1.80	Shielded	Shielded	-
2	AC Cable	1.80	Unshielded	Unshielded	-
3	LAN Cable	1.00	Unshielded	Unshielded	-
4	DC Cable	1.90	Shielded	Shielded	-
5	AC Cable	2.10	Unshielded	Unshielded	-
6	USB Cable	2.00	Shielded	Shielded	-
7	DC Cable	1.80	Shielded	Shielded	-
8	AC Cable	1.00	Unshielded	Unshielded	-
9	Signal Cable	0.40	Unshielded	Unshielded	-
10	DC Cable	0.50	Unshielded	Unshielded	-

End of Report