

UC-C160-T

Crestron Flex UC Video Conference System Integrator Kit for Microsoft Teams® Rooms



- *Conferencing integration solution for Microsoft Teams® software*
- *Present, call, conference, and collaborate in any room using your choice of AV equipment*
- *Network management and provisioning, system alerts, and the pairing of a touch screen to the UC-C160-T system's UC Engine through the Crestron XiO Cloud™ service*
- *Connects and communicates securely over any enterprise or SMB network*
- *Enterprise-grade security*
- *Direct connection option for simple installation and configuration*
- *Supports single or dual display configuration*
- *Includes 10.1 in. (257 mm) tabletop color touch screen with onscreen calendaring and meeting management and optional control of room lighting, shades, thermostats, and other equipment*
- *Kit contains the 10.1 in. (257 mm) tabletop color touch screen, UC Engine assembly and 1-year Crestron XiO Cloud Premium subscription*

The Crestron Flex UC-C160-T system provides a customizable video conference room solution for use with the Microsoft Teams intelligent communications platform. It supports single or dual video displays, and features the UC Engine Assembly with UC-ENGINE and 10.1 in. touch screen. The UC-C160-T enables integration with your choice of displays, cameras, speakers, microphones, mixers, switchers, and audio conferencing interface (or speakerphone).

Native Microsoft Teams® Software Experience

The UC-C160-T system brings the full Microsoft Teams UC experience to any meeting space in an enterprise or SMB facility, whether implementing a cloud based Microsoft Teams deployment, on-premises Skype® for Business software, or a hybrid of the two.

Custom Room Integration

The UC-C160-T system provides the essential components needed to design a fully custom video conferencing space using your choice of display devices, cameras, speakers, microphones, and other AV equipment. Any Microsoft Teams software compliant USB camera and USB audio conferencing interface (or speakerphone) may be used. A non-USB camera or camera switcher may also be integrated by adding a video converter, model [HD-CONV-USB-100](#) (sold separately). The UC-C160-T system allows rooms of any size and scale to be designed using Crestron Avia™ digital signal processors and amplifiers, Saros® or Vector™ speakers, and other equipment.

10.1 in. Touch Screen

The Crestron TSW-1060 series touch screen makes an elegant statement on any tabletop. PoE (Power over Ethernet) connectivity and a range of mounting options make installation simple for both new and retrofit applications.

The included TSW-1060-TTK provides a convenient tabletop enclosure for the TSW-1060 touch screen. The touch screen is angled when installed in the enclosure. The complete assembly may be placed on any flat, level surface. Wiring may be passed out the rear of the enclosure through a grommet and strain relief, or routed through the bottom for a very clean, cordless appearance. The touch screen also offers optional control of room lighting, shades, thermostats, and other equipment.¹

For more information, refer to the [TSW-1060-B-S](#) and [TSW-1060-TTK-B-S](#) product pages.

UC Engine Assembly

All the capabilities of a complete Microsoft Teams video conferencing and content sharing solution are empowered by the UC Engine. For ultimate performance, Crestron employs a powerful Intel® NUC Mini PC running Microsoft® software. The UC Engine Assembly (UC-BRKT-100-ASSY) streamlines the installation of a Crestron UC system by assembling the UC-ENGINE, HD-CONV-USB-200, and UC-CONN-HD together on one convenient and ready-to-mount bracket.

The complete assembly can be mounted on the wall, or it can be attached to the rear of the display device. Attachment to the display is accomplished using two of the four bolts that also affix the display to a VESA® compliant display mount. The assembly bracket includes mounting holes on its left and right side edges, spaced at 100 mm (3.94 in.), 200 mm (7.87 in.), and 300 mm (11.81 in.) vertically, to allow for attachment to either side of the display mounting plate on the rear of the display device.

UC-C160-T

Crestron Flex UC Video Conference System Integrator Kit for Microsoft Teams® Rooms

For more information, refer to the [UC-BRKT-100-ASSY](#) product page.

Network Management and Security

Crestron Flex is an enterprise grade solution, engineered in partnership with Microsoft to integrate seamlessly into any Microsoft Teams or Skype for Business deployment. Crestron Flex is ideally equipped for mass deployment throughout any sized corporate, university, medical, military, or government facility.

IoT cloud based provisioning enables complete network configuration in advance of hardware delivery, with touchless updates following installation via Windows® Update. Crestron Fusion® or Crestron XiO Cloud management enables monitoring and logging of room and equipment usage, as well as centralized help desk support. Advanced security features ensure privacy, reliability, and compliance with your organization's IT policies.

Crestron XiO Cloud™ Provisioning and Management Service

The UC-C160-T is compatible with the Crestron XiO Cloud™ service, which is an IoT (Internet of Things) based platform for remotely provisioning, monitoring, and managing Crestron devices across an enterprise or an entire client base.² The service enables installers and IT managers to deploy and manage thousands of devices in the amount of time it would ordinarily take to manage just one. As part of the UC-C160-T system, the Crestron XiO Cloud service allows for network management and provisioning, system alerts, and the pairing of a touch screen to the UC-C160-T system's UC Engine. System updates are controlled by Windows Update. For more information, visit www.crestron.com/xiocloud.

Direct Connection

Crestron's direct connection method simplifies installation and configuration with a single connection from the touch screen to the UC-ENGINE.³ This method accelerates deployment, ensures reliability, and provides long-term service while eliminating network setup dependencies related to hardware and security requirements.

Dual Control Option

A Crestron Mercury device or another TSW-1060 touch screen may be added to the UC-C160-T kit as an additional control point for the Microsoft Teams environment.⁴

Specifications

Included Components

TSW-1060-B-S	10.1 in. touch screen, black
TSW-1060-TTK-B-S	Tabletop kit for touch screen, black
UC-BRKT-100-ASSY	UC Engine Assembly, comprised of: UC-ENGINE: UC Engine for Microsoft Teams video; HD-CONV-USB-200: HDMI® to USB 3.0 converter for content ingest; UC-CONN-HD: EDID emulator for UC Engine display output; CBL-MDP-HD-0.5: Mini DisplayPort™ to HDMI converter; Mounting Bracket
CBL-CAT5E-7	(2) Ethernet LAN cables for UC Engine, RJ45-to-RJ45, black, 7 ft (2.1 m)
PWE-4803RU	PoE injector for touch screen
CBL-USBC-HD-9	USB-C® to HDMI converter cable, USB Type-C male to HDMI Type A male, 9 ft (2.7 m)
CBL-HD-20	HDMI cable for content source, Type A male-to-male, 20 ft (6.1 m)
CBL-HD-THIN-HS-6	Thin HDMI cable for connecting display device, Type A male-to-male, 6 ft (1.8 m)
DM-CBL-ULTRA-PC-20	Ethernet LAN cable for touch screen, CAT6a, RJ45-to-RJ45, blue, 20 ft (6 m)

Tabletop Touch Screen

Touch Screen	10.1 in. (257 mm) diagonal capacitive multi-touch TFT active matrix color LCD, 1280 x 800 pixels, displays Microsoft Teams UI plus optional Crestron Smart Graphics® room control UI ¹
Ethernet	10/100 Mbps; enterprise grade security and management including IEEE 802.1X, Active Directory® authentication, SSL, TLS, SSH, SFTP (SSH File Transfer Protocol), digest access authentication, password login, HTTPS secure provisioning, Crestron XiO Cloud client, IEEE 802.3at compliant

UC-C160-T

Crestron Flex UC Video Conference System Integrator Kit for Microsoft Teams® Rooms

Power over Ethernet	EEE 802.3at compliant PoE or PoE+ PD (Powered Device); - Requests 15 W from an 802.3at Type 2 PSE with LLDP advanced power management; - Requests 30 W (PoE+ Class 4) from an 802.3at Type 2 PSE without LLDP; - Requests 15.4 W (PoE Class 0) from an 802.3af (or 802.3at Type 1) PSE
PoE Injector	A PoE injector is included to power the touch screen if network PoE is not available
Construction	Plastic tabletop housing, smooth black finish, edge-to-edge glass with black surround
Dimensions	Height: 5.42 in. (138 mm) Width: 10.23 in. (260 mm) Depth: 5.69 in. (145 mm)
Weight	41.2 oz (1166 g)
	Refer to the TSW-1060-B-S, TSW-1060-TTK-B-S, and PWE-4803RU specifications for additional information.

UC Engine Assembly

Mini PC	Intel NUC Kit NUC6i7KYK
Processor	6th generation Intel Core® i7-6770HQ processor with Intel Iris® Pro Graphics 580, 8 GB RAM, 256 GB SSD, Intel I219-LM 10/100/1000 Mbps Ethernet, Windows® 10 IOT Edition OS
UC Client	Microsoft Teams or Skype for Business Software
Management Client	Crestron XiO Cloud Service
USB	USB 3.0
Content Ingest	HDMI input via HDMI to USB 3.0 converter (model HD-CONV-USB-200, included)
Display Output	Single or dual display support, native Mini DisplayPort™ (primary) and USB Type-C® (secondary) outputs, HDMI outputs enabled via converter cables (included)
Camera Input Resolution	HD 1080p @ 30 fps
Content Input Resolution	HD 1080p @ 60 fps
Display Output Resolution	HD 1080p @ 60 fps
Power	19 VDC via external 100-240 VAC, 50/60 Hz adapter (included)

Construction	Metal mounting bracket, black, preassembled with UC Engine and USB to HDMI converter
Mounting	Surface wall mount behind the display device, or attach to the rear of the display device via the bolts attaching the display to a VESA® compliant display mount; the Crestron bracket includes mounting holes on both side edges, spaced 100, 200, and 300 mm vertically, to allow for attachment to either side of the display mounting plate
Dimensions	Height: 16.00 in. (407 mm) Width: 14.00 in. (356 mm) Depth: 1.62 in. (41 mm)
	Refer to the UC-ENGINE, HD-CONV-USB-200, and UC-BRKT-100-ASSY spec sheets for additional specifications and compliances.

Model

UC-C160-T

Available Accessories

TSW-1060 Series

10.1 in. Touch Screen

UC-SB1

UC Video Conference Smart Soundbar

UC-SB1-CAM

UC Video Conference Smart Soundbar & Camera

TSW-560/760/1060-SMK

Swivel Mount Kit for TSW-x60-TTK Series

CEN-SWPOE-16

16-Port Managed PoE Switch

DSP-1282

Crestron Avia™ 12x8 Digital Signal Processor w/USB Audio, AEC, & Audio Conferencing Interface

DSP-1283

Crestron Avia 12x8 Digital Signal Processor with Dante® audio networking, USB Audio, AEC, & Audio Conferencing Interface

MMX-6-USB

6-Channel USB Microphone Mixer

SAROS SB-200-P

Saros® Sound Bar 200, Powered

SW-FUSION-C-3

Crestron Fusion Cloud; 250 rooms; 3-year service, support, and updates

UC-C160-T

Crestron Flex UC Video Conference System Integrator Kit for Microsoft Teams® Rooms

SW-FUSION-P-L

Crestron Fusion On-premises; Unlimited rooms; lifetime service, support, and updates

SW-XIOC-S-1

Crestron XiO Cloud Standard Provisioning and Management Service for one device, 1 year subscription

SW-XIOC-P-1

Crestron XiO Cloud Premium Provisioning and Management Service for one device, 1 year subscription

Notes:

1. Room control capability (lighting, shades, thermostats, etc.) requires additional equipment and commissioning to be provided by a Crestron authorized integrator and/or programmer. Additional costs may apply.
2. Complimentary Crestron XiO Cloud subscriptions are subject to the terms of the Crestron Cloudware License Agreement at <https://www.crestron.com/cloudwarelicensepdf>, as well as additional terms of the Crestron Cloudware License Agreement Addendum at <https://www.crestron.com/cloudwarelicenseaddendumpdf>, which control in any conflict with the Agreement. Complimentary subscriptions may be applied to new accounts only. New UC-C160-T systems may be added to existing Crestron XiO Cloud subscription accounts at a discounted rate. An additional purchase toward the existing subscription account term may be required. For more information, please contact license@crestron.com.
3. If the Crestron XiO Cloud service is to be used for management of the touch screen, it must be on the same VLAN as the UC-ENGINE.
4. A maximum of two touch screens or one touch screen and one Crestron Mercury device can be accommodated by the system. Only one device may be connected via direct connection method.

This product may be purchased from select authorized Crestron dealers and distributors. To find a dealer or distributor, please contact the Crestron sales representative for your area. A list of sales representatives is available online at www.crestron.com/How-To-Buy/Find-a-Representative or by calling 855-263-8754.

This product is covered under the Crestron standard limited warranty. Refer to www.crestron.com/warranty for full details.

The specific patents that cover Crestron products are listed online at patents.crestron.com.

Certain Crestron products contain open source software. For specific information, please visit www.crestron.com/opensource.

Crestron, the Crestron logo, Crestron Avia, Crestron Fusion, Saros, Smart Graphics, Vector and Crestron XiO Cloud are either trademarks or registered trademarks of Crestron Electronics, Inc. in the United States and/or other countries. Dante is either a trademark or registered trademark of Audinate Pty Ltd. in the United States and/or other countries. HDMI is either a trademark or registered trademark of HDMI Licensing LLC in the United States and/or other countries. Intel, Intel Core, and Intel Iris are either trademarks or registered trademarks of Intel Corporation in the United States and/or other countries. Active Directory, Microsoft Teams, Skype and Windows are either trademarks or registered trademarks of Microsoft Corporation in the United States and/or other countries. USB Type-C and USB-C are either trademarks or registered trademarks of USB Implementers Forum, Inc. in the United States and/or other countries. DisplayPort and VESA are either trademarks or registered trademarks of Video Electronics Standards Association in the United States and/or other countries. Other trademarks, registered trademarks, and trade names may be used in this document to refer to either the entities claiming the marks and names or their products. Crestron disclaims any proprietary interest in the marks and names of others. Crestron is not responsible for errors in typography or photography.

Specifications are subject to change without notice.

©2020 Crestron Electronics, Inc.

Rev 04/03/20

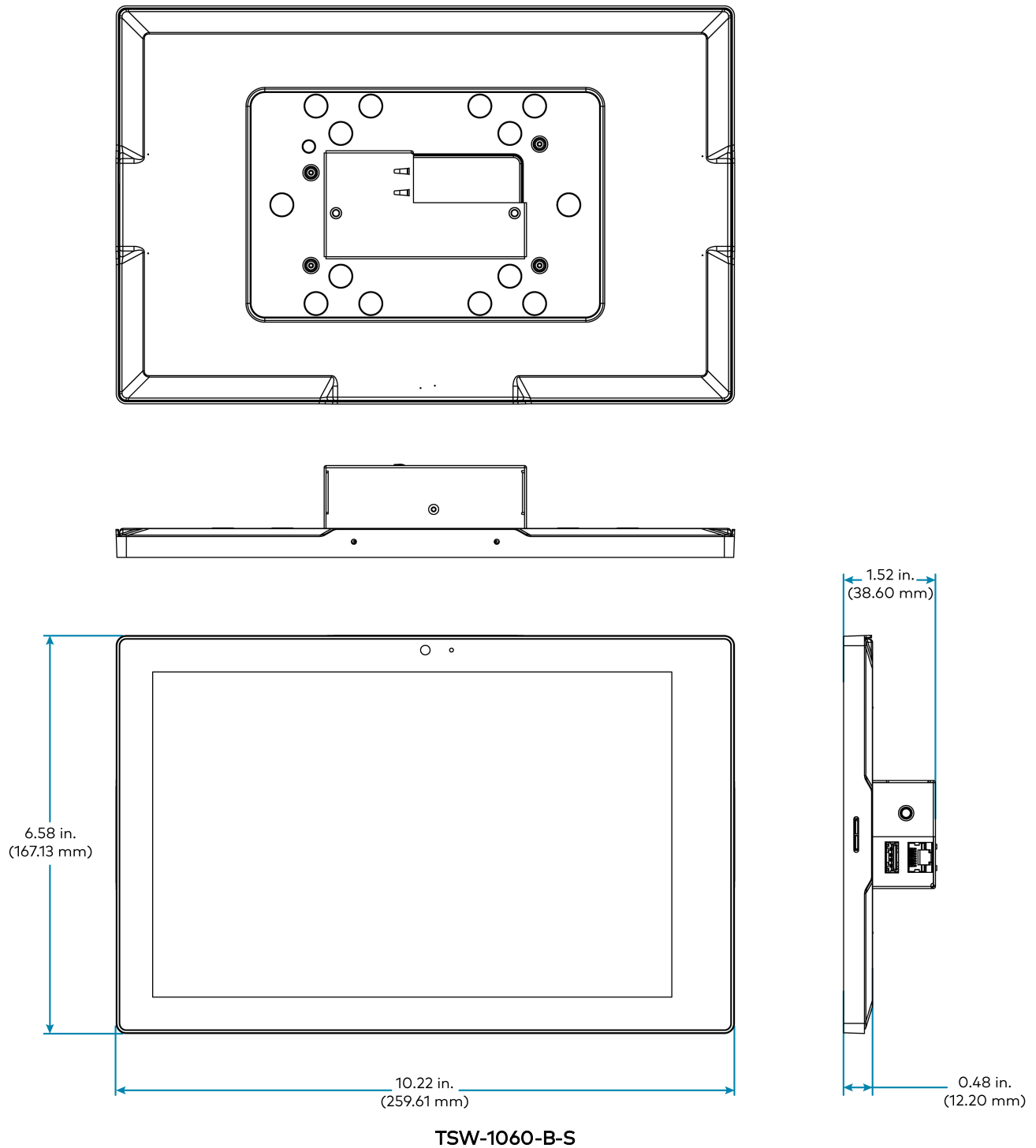
Crestron Electronics Inc.

15 Volvo Drive | Rockleigh, NJ 07647
www.crestron.com | 800.237.2041



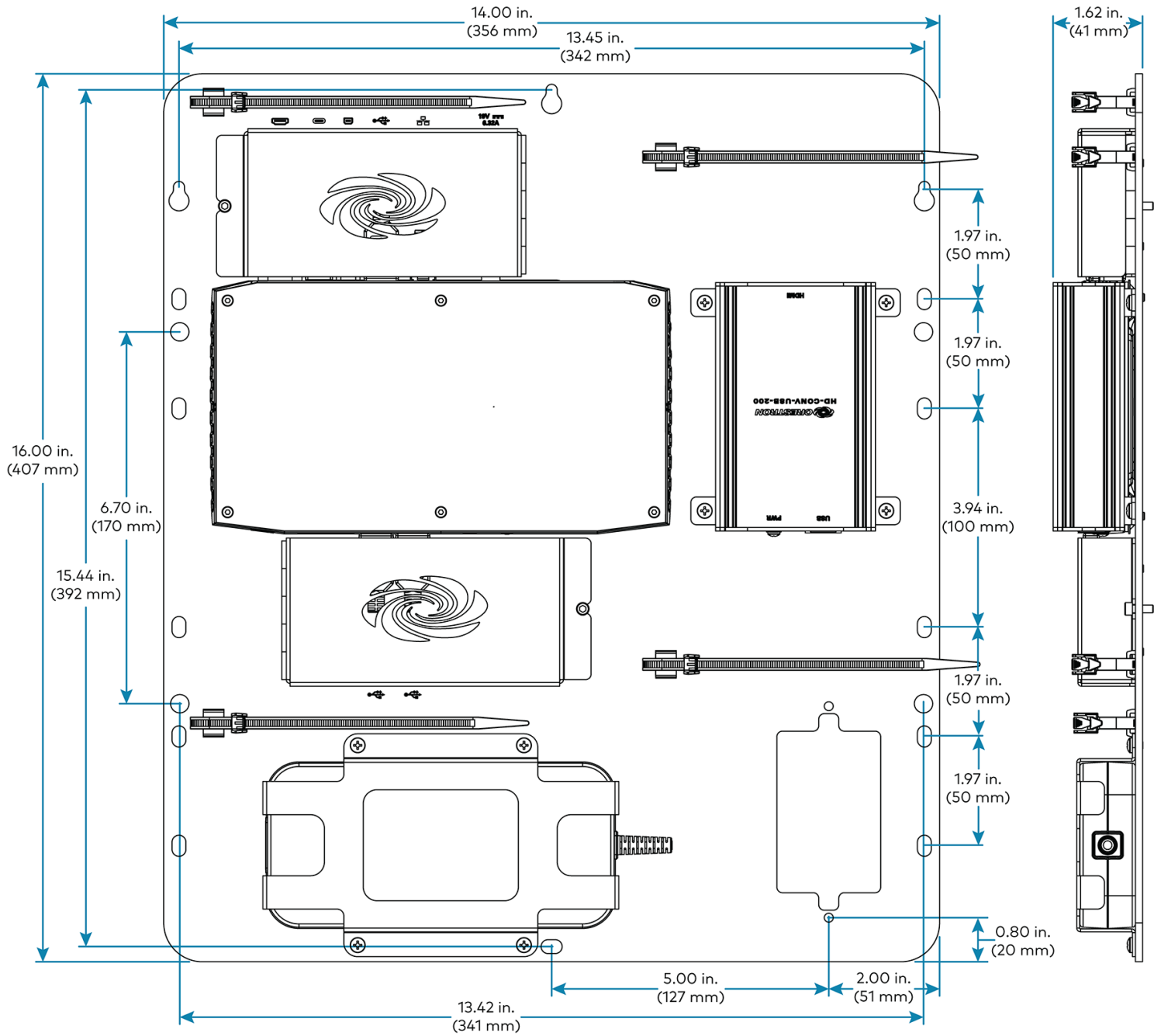
UC-C160-T

Crestron Flex UC Video Conference System Integrator Kit for Microsoft Teams® Rooms



UC-C160-T

Crestron Flex UC Video Conference System Integrator Kit for Microsoft Teams® Rooms



UC-BRKT-100-ASSY