

东振电子有限公司

天线规格承认书

Antenna Specification for Approval

客户名称

Customer Name: _____

产品名称

Product Name: 2.4G copper tube antenna full length 100 black

客户型号:

Product Name: _____

产品料号:

Part NO. : C113H-BT4429-100

制表:

Write By: 周敏

日期:

Issued Date: 2021-10-20

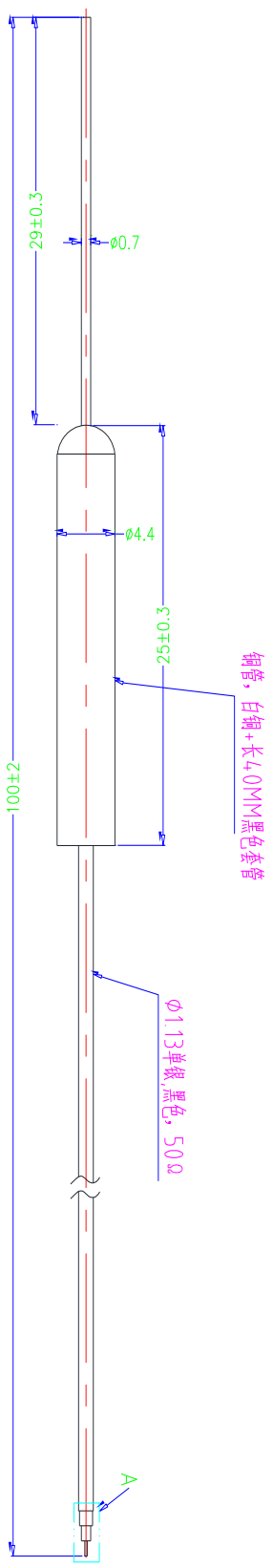
客 户:

工程R&D Dept	采购Business Dept	承认 Approved By

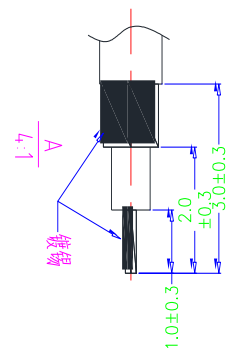
东 振 电 子

研发R&D Dept	工程 Engineer Dept	审核 Approval

标记	数量	更改内容	签字	日期



规格说明:
 1. 频率范围: 2.4GHz-2.5GHz;
 2. 功率增益: 2.0dBi。



TITLE: 2.4G铜管天线		MATERIAL: ??		FINISH: 表面处理	
PART/NO.: C113H-BT44-25-150R		TOLERANCE ??		ANGULAR??	
UNIT IN: mm		SCALE: 2.5:1		X.XX ±0.1°	
DRAWING: 数		DATE: 16-12-25		X.X ±0.2°	
CHECKING: ??		DATE: ??		REV: 01	
UNLESS OTHERWISE SPECIFIED					
L<30 ±0.10					
30<L<100 ±0.15					
L>100 ±0.20					

东振电子有限公司

Product Specification

A. Electrical Characteristics

Frequency 2400MHz ~2500MHz

VSWR <2.0

Efficiency >75%

Impedance 50 Ohm

Polarization Line

Gain 2DBi

B. Material & Mechanical Characteristics

Material of Radiator Cu

Cable Type 1.13 灰色

Connector Type : NO

Dimension

C. Environmental

Operation Temperature - 30 °C ~ + 80 °C

Storage Temperature - 30 °C ~ + 85 °C

Test Equipment & Conditions

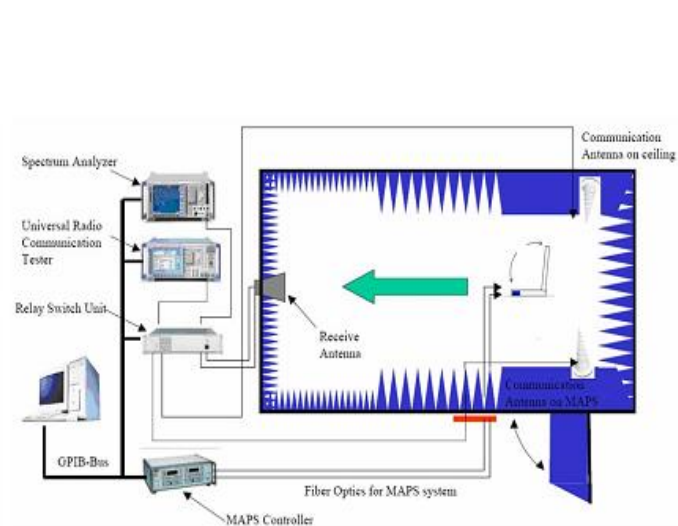
1. Network Analyzers :

Agilent 8753D 5071B

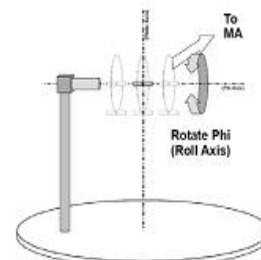
2. Communications Test Set:

Agilent E5515C

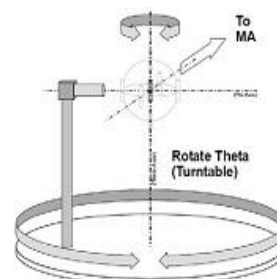
3. 3D Chamber Test System



(Testing by 3D anechoic chamber)



Phi axis test

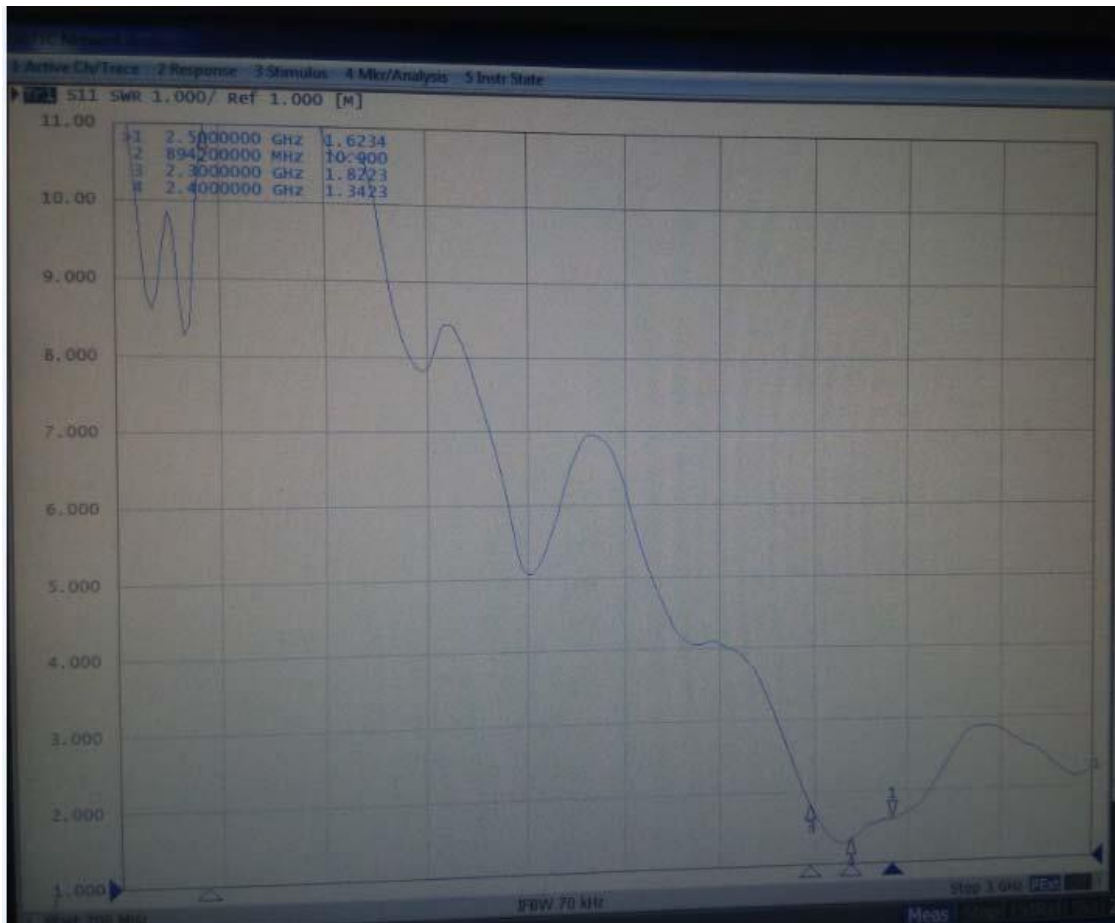


Theta axis test

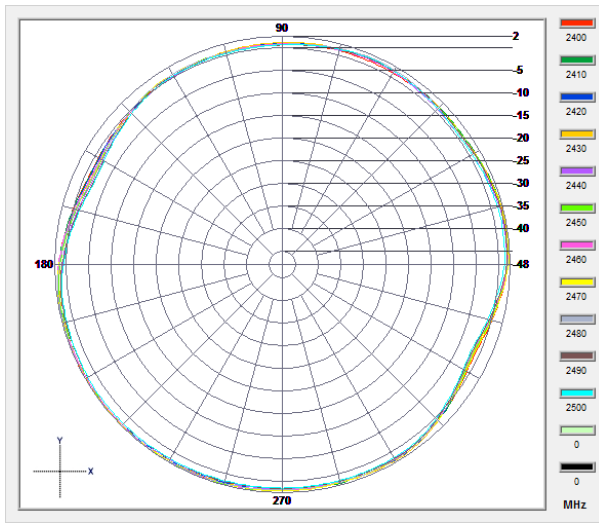
Efficiency & Gain

Freq (MHz)	Effi (%)	Gain (dBi)
2400	76.92	2.8
2410	75.12	2.88
2420	73.34	2.7
2430	72.57	2.99
2440	66.67	2.61
2450	71.03	2.83
2460	70.83	2.82
2470	71.95	2.89
2480	72.28	2.68
2490	68.19	2.62
2500	67.42	2.03

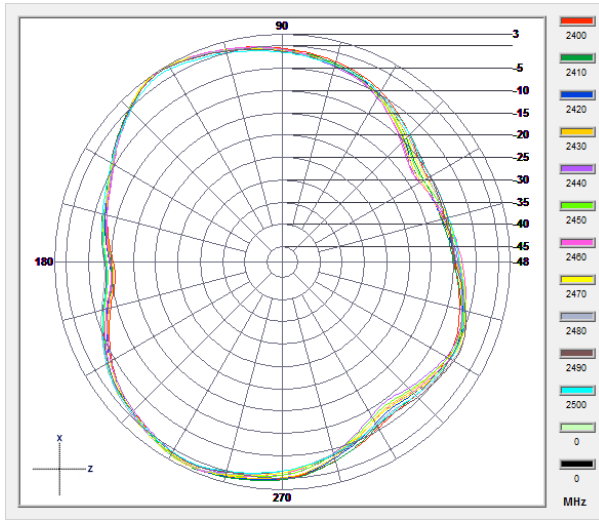
S11



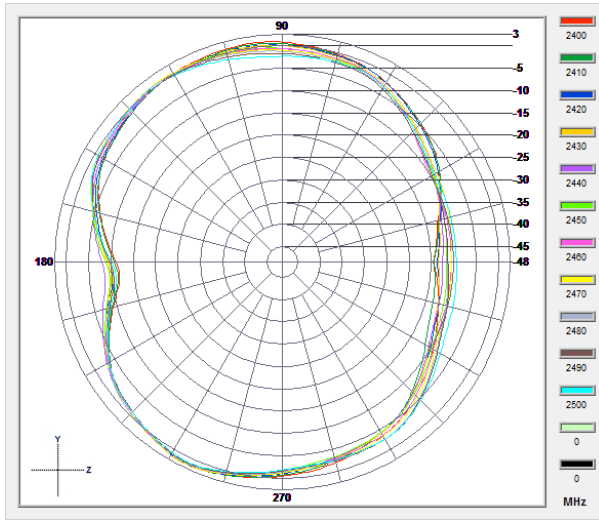
Radiation Pattern:



XY

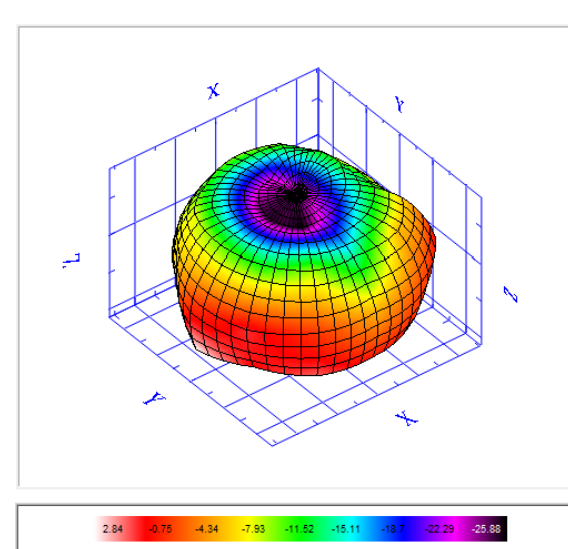
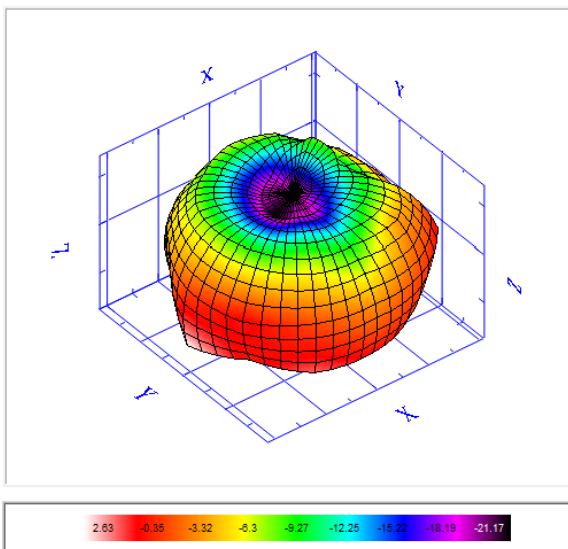
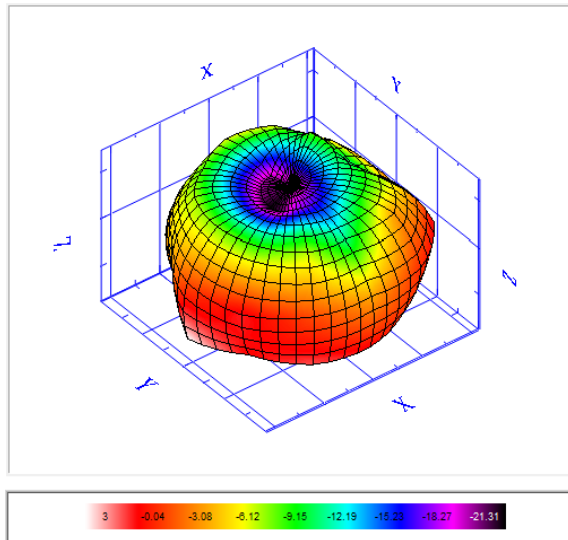
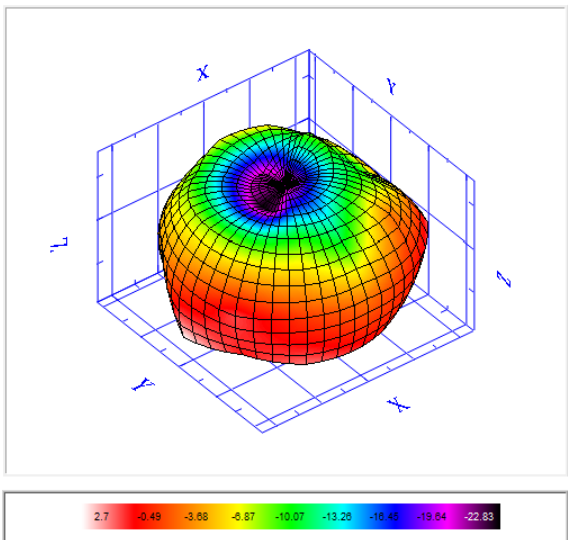
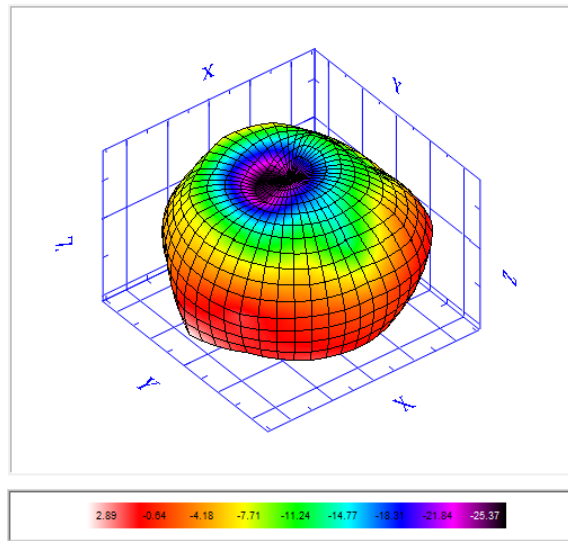
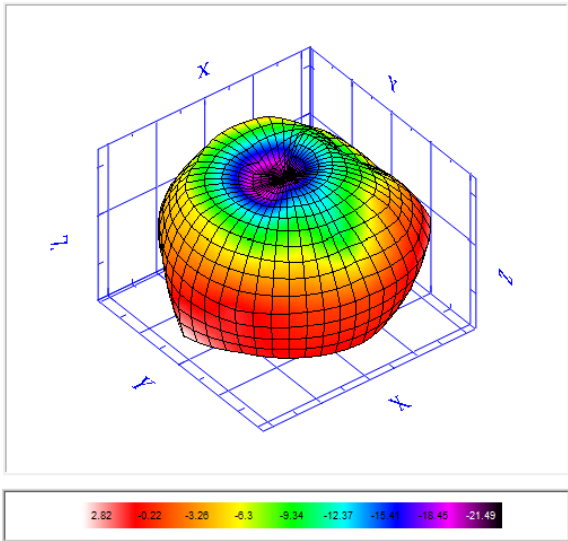


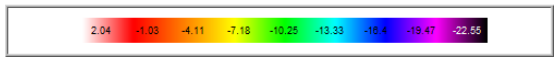
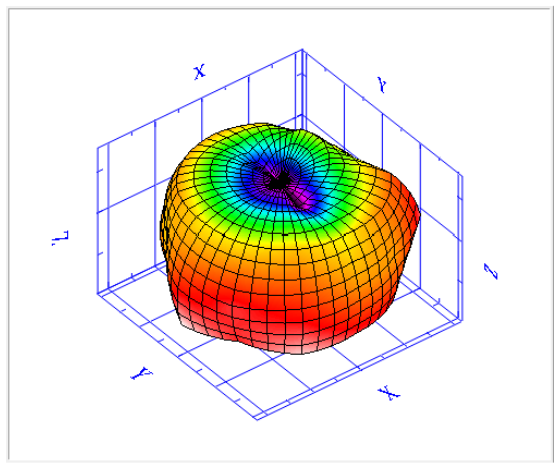
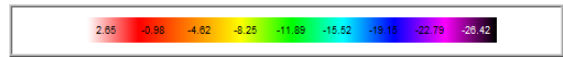
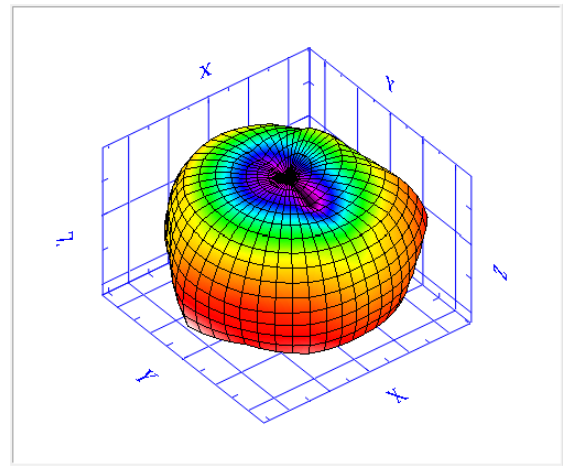
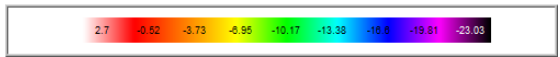
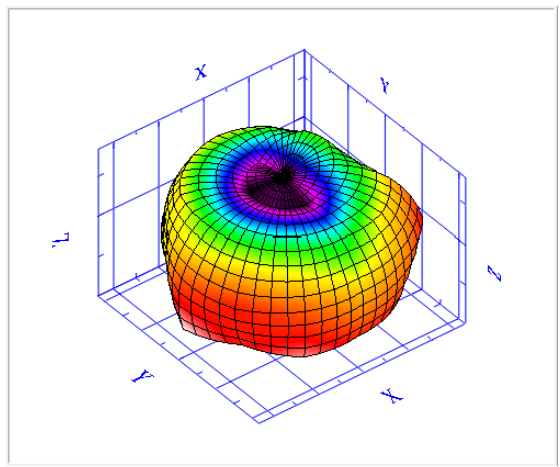
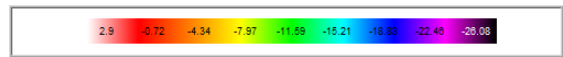
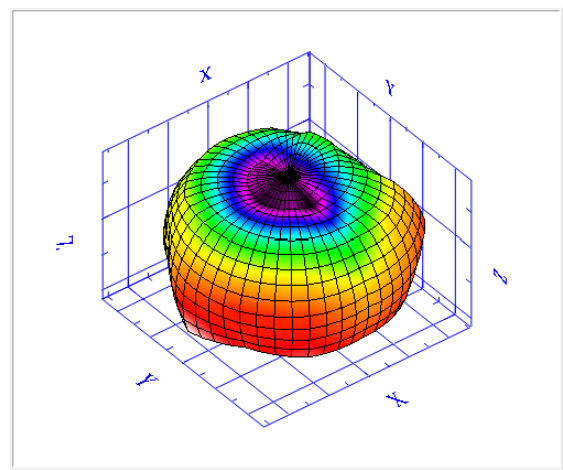
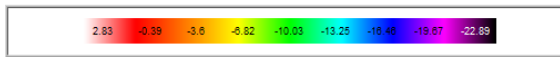
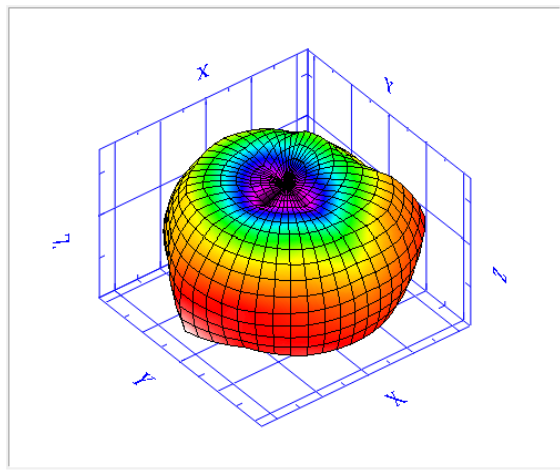
XZ



YZ

2400 2410 2420 2430 2440 2450 2460 2470 2480 2490 2500





Manufacturer: NEW DI YUAN TECHNOLOGY
 Address:8 / F, Guangfeng Industrial Zone, Dengfeng Road, Chenghai District, Shantou City,
 Guangdong Province, China