

**READ BEFORE USE  
LIRE AVANT UTILISATION  
LEA ANTES DE USAR**

Visit [www.hamiltonbeach.com](http://www.hamiltonbeach.com) for our complete line of products and Use and Care Guides – as well as delicious recipes, tips, and to register your product online!

Rendez-vous sur [www.hamiltonbeach.ca](http://www.hamiltonbeach.ca) pour notre liste complète de produits et de nos manuels utilisateur – ainsi que nos délicieuses recettes et nos conseils !

iVísite [www.hamiltonbeach.com](http://www.hamiltonbeach.com) (EE. UU.) o [www.hamiltonbeach.com.mx](http://www.hamiltonbeach.com.mx) (México) para ver otros productos de Hamilton Beach o para contactarnos!

**Questions?**

**Please call us – our friendly associates are ready to help.  
USA: 1.800.851.8900**

**Questions ?**

**N'hésitez pas à nous appeler – nos associés s'empresseront de vous aider.  
CAN : 1.800.267.2826**

**¿Preguntas?**

**Por favor llámenos – nuestros amables representantes están listos para ayudar.  
EE. UU.: 1.800.851.8900  
MEX: 01 800 71 16 100**

*Le invitamos a leer cuidadosamente este instructivo antes de usar su aparato.*



# Blender Mélangeur Licuadora



|               |    |
|---------------|----|
| English ..... | 2  |
| Français..... | 21 |
| Español ..... | 40 |

# IMPORTANT SAFEGUARDS

When using electrical appliances, basic safety precautions should always be followed to reduce the risk of fire, electric shock, and/or injury to persons, including the following:

1. Read all instructions.
2. This appliance is not intended for use by persons (including children) with reduced physical, sensory, or mental capabilities, or lack of experience and knowledge, unless they are closely supervised and instructed concerning use of the appliance by a person responsible for their safety.
3. Close supervision is necessary when any appliance is used by or near children. Children should be supervised to ensure that they do not play with the appliance.
4. To protect against risk of electrical shock, do not put cord, plug, base, or motor in water or other liquid.
5. Unplug cord from outlet when not in use, before putting on or taking off parts, and before cleaning.
6. Avoid contact with moving parts.
7. Do not operate any appliance with a damaged supply cord or plug, or after the appliance malfunctions or has been dropped or damaged in any manner. Supply cord replacement and repairs must be conducted by the manufacturer, its service agent, or similarly qualified persons in order to avoid a hazard. Call the provided customer service number for information on examination, repair, or adjustment.
8. The use of attachments, including canning jars, not recommended or sold by the appliance manufacturer may cause a risk of injury to persons.
9. Do not use outdoors.
10. Do not let cord hang over edge of table or counter or touch hot surfaces, including stove.
11. Do not place on or near a hot gas or electric burner, or in a heated oven.
12. Keep hands and utensils out of the jar and away from the cutting blade, while blending or chopping food, to reduce the risk of severe personal injury and/or damage to the blender or available attachments (attachments may not be provided with blender). A rubber spatula may be used but must be used only when blender is not running.
13. Blades are sharp; handle carefully—especially when assembling, disassembling, or cleaning inside blender jar.
14. To reduce the risk of injury, never place cutting blade assembly on base without jar properly attached.
15. Do not use a broken, chipped, or cracked blender jar.
16. Do not use broken, cracked, or loose cutting blade assembly.
17. Always operate blender with lid and filler-cap in place. Remove filler-cap only for adding ingredients or to insert the tamper.
18. When blending hot liquids or ingredients, remove filler-cap from the lid. Use caution: spray or excess steaming may cause scalding and burns. Do not exceed the 2-cup (473-ml) level. Always begin processing on lowest speed. Keep hands and other exposed skin from the lid opening to prevent possible burns.
19. Ensure cutter assembly is tight and secure to jar. Injury can result if moving blades accidentally become exposed.
20. If the jar should twist or rotate when the motor is switched ON, switch OFF (⊖) immediately and tighten jar in collar or on blender base.
21. Do not leave blender unattended while it is operating.
22. Before plugging cord into wall outlet, turn OFF (⊖) the appliance. To disconnect cord, turn the control to OFF (⊖). Then remove plug from wall outlet.
23. Do not use appliance for other than intended purpose.

## SAVE THESE INSTRUCTIONS!

## Other Consumer Safety Information

**This appliance is intended for household use only. Use for food or liquids only.**

**⚠ WARNING Electrical Shock Hazard:** This appliance is provided with a grounded (3-prong) plug to reduce the risk of electric shock. The plug fits only one way into a grounded outlet. Do not defeat the safety purpose of the plug by modifying the plug in any way or by using an adapter. If the plug does not fit into the outlet, have an electrician replace the outlet.

The length of the cord used on this appliance was selected to reduce the hazards of becoming tangled in or tripping over a longer cord. If a longer cord is necessary, an approved extension cord may be used. The electrical rating of the extension cord must be equal to or greater than the rating of the appliance. The extension cord must be a grounding-type, 3-wire cord. Care must be taken to arrange the extension cord so that it will not drape over the countertop or tabletop where it can be pulled on by children or accidentally tripped over.

### **Wattage/Peak Power Information**

The wattage/ampere rating of the blender is determined by an Underwriters Laboratory test and is based on available cutting blade assembly, jar combinations, and attachments that may not be provided with your unit, but are available as replacement parts. This is a measure of input wattage/amperes after 30 seconds of operation. The blender as provided may draw significantly less power.

If the cutting blade assembly locks and will not move, it will damage the motor. Do not use. Call the customer care center for information.

Do not place blender jar in the freezer filled with food or liquid. This can result in damage to the cutting blade assembly, jar, blender, and possibly result in personal injury.

**NOTE: This machine is equipped with motor overload protection. If the motor stops during operation due to overheating, unplug and allow it to cool down for approximately 15 minutes. Plug machine back in to resume normal operation.**

Peak power is the measure of the motor wattage during the first seconds of operation. This is when a blender requires the most power to crush ice, frozen fruit, etc. This is a better measure of what a blender motor can consume when power is needed most.

# Parts and Features

\*To order parts:

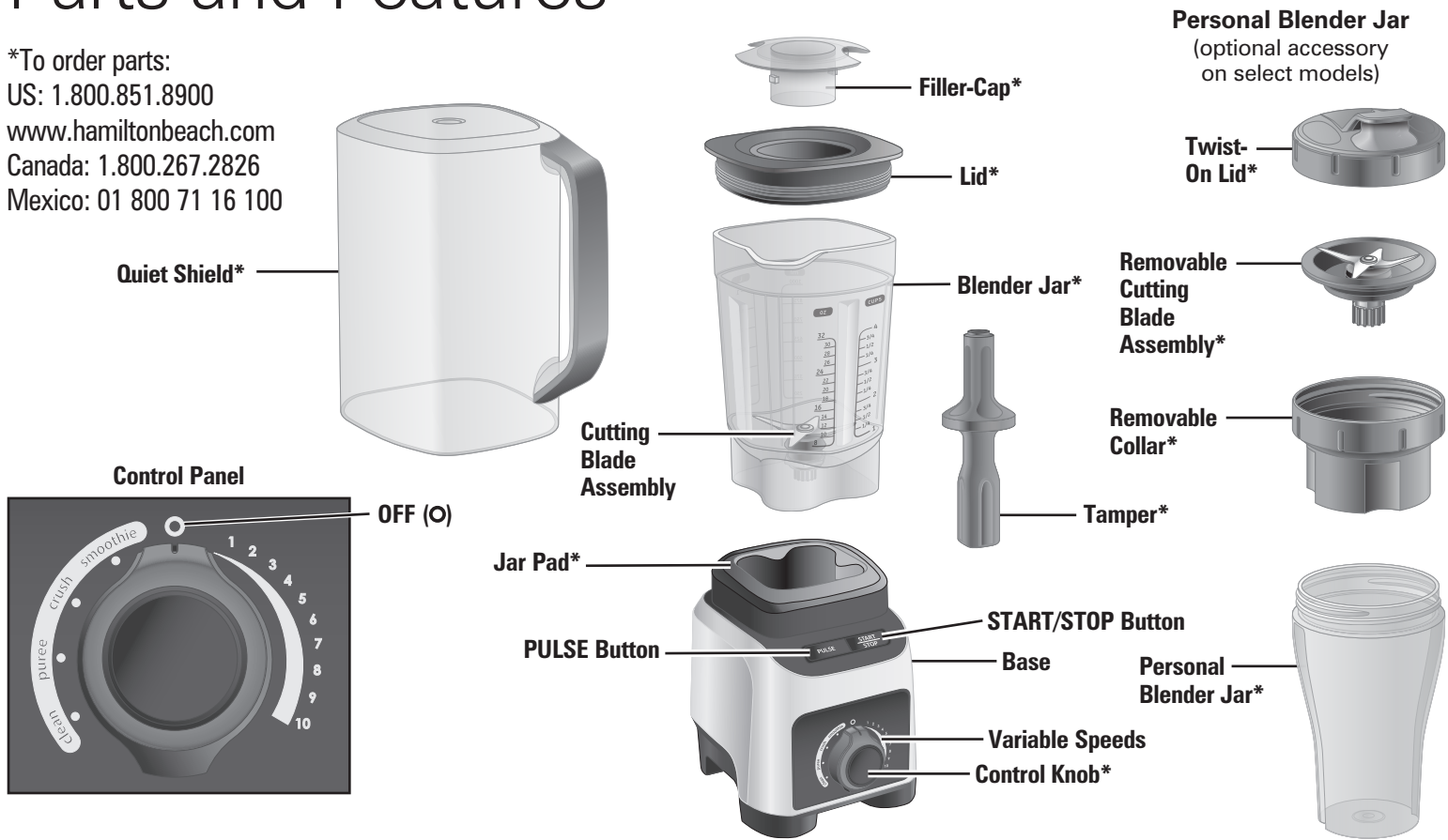
US: 1.800.851.8900

www.hamiltonbeach.com

Canada: 1.800.267.2826

Mexico: 01 800 71 16 100

**BEFORE FIRST USE:** After unpacking the blender, follow the instructions in "Cleaning Your Blender."



# Parts and Features (cont.)

**Quiet Shield:** The quiet shield reduces the amount of noise from your blender. When placed over the blender jar or the personal blender jar, it muffles the sound that your blender produces.

**Filler-Cap:** The filler-cap has markings for easy measuring, to make fine dressings and marinades. When filler-cap is removed, ingredients can be added or the tamper may be inserted into the lid.

**Lid:** The lid is easy to put on, take off, and clean. Always use the lid and the filler cap when the machine is in operation.

**Tamper:** The tamper mixes thick or frozen mixtures that cannot be processed with regular blending. It prevents air pockets from forming and is a handy tool when making nut butters.

**Blender Jar:** The durable jar is clearly marked with ounces, cups, and milliliters.

**Personal Blender Jar:** The personal blender jar makes it easier to make beverages on the go.

**Twist-On Lid:** When done blending in your personal blender jar, remove the collar and cutting blade assembly and add the twist-on lid.

**Cutting Blade Assembly:** The cutting blade assembly is permanently installed in the blender jar.

**Jar Pad:** Simply lift to remove the rubber pad for easy cleaning.

**Control Buttons:** Two buttons are located on top of the base. Use START/STOP with any setting. Use PULSE with any variable speed.

**Control Knob:** Rotate knob to turn blender OFF (○) and to select desired blending mode: VARIABLE SPEEDS, SMOOTHIE, CRUSH, PUREE, and CLEAN.

**Variable Speeds:** Select any speed for blending and pulsing by rotating the control knob from 1 to 10.

**Base:** Contains the motor. DO NOT IMMERSE BASE IN WATER.

**Motor Protection Device:** The Hamilton Beach Professional Blender is equipped with a motor overheating device. If the motor stops during operation due to overheating, unplug and allow it to cool down for about 15 minutes. Plug blender back in to resume normal operation.

---

**Preparing the Blender:** After unpacking the blender, wash everything except blender base in hot, soapy water. Dry thoroughly. Wipe blender base with a damp cloth or sponge. DO NOT IMMERSE BASE IN WATER. Care should be taken when handling cutting blade assembly since it is very sharp. Refer to care recommendations on page 17.

**IMPORTANT:** Blender jar and cutting blade assembly are subject to wear during normal use. Always inspect jar for nicks, chips, or cracks. Always inspect cutting blade assembly for broken, cracked, or loose blades. If jar or cutting blade assembly is damaged, do not use. Call our customer care center to obtain replacement parts.

**Selecting Blender Settings:** Select from four program settings or use the variable speeds precise speed control.

## WARNING



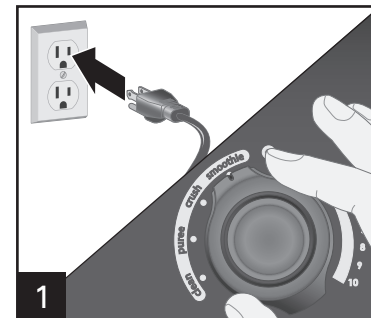
**Burn Hazard.** Metal parts under blending jar get hot after use. Do not touch.

# Using Program Settings

Programs are optimized for recipe categories and vary in blending speed and duration. The blender automatically stops at the end of the program. Some recipes may require more or less blending time.

## Programs:

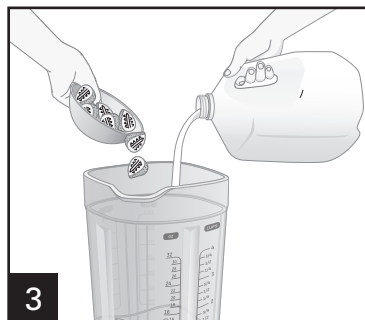
- **SMOOTHIE** – Blends frozen or fresh smoothies. Blender pulses five times at the beginning to chop ice or frozen ingredients and then ramps up to run on high speed 10 for 60 seconds.
- **CRUSH** – Breaks ice into pieces small enough for slushies or fine cocktails. Blender continuously pulses from speed 1 to 5 for 1 minute.
- **PUREE** – Gives a smooth, creamy consistency to pureed fruit or vegetables and a fine texture when making powdered sugar. Blender slowly ramps up from speed 1 to 10 for 1 minute 15 seconds.
- **CLEAN** – Add 2 cups (473 ml) warm water and 2 drops dish detergent to blender jar before starting the program for easy cleaning. Filler-cap should be kept in lid. Blender runs for 1 minute. Rinse and dry.



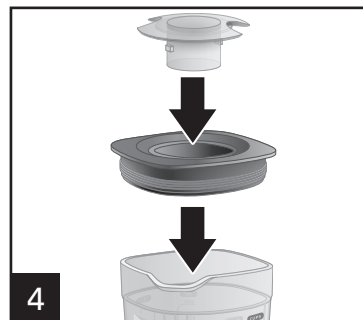
1 Turn the control knob from **OFF** to one of the following programs: **SMOOTHIE**, **CRUSH**, **PUREE**, or **CLEAN**.



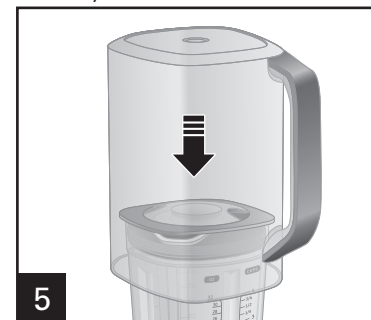
2 Place blender jar on base.



3 Fill by opening lid. Add ingredients.



4 Place lid on jar.

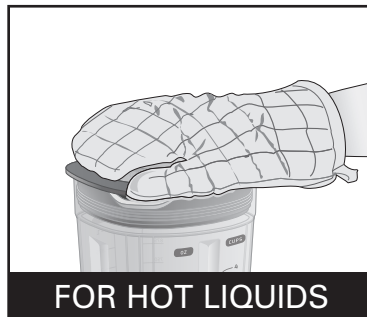


5 Place quiet shield over blender jar assembly.

# Using Program Settings (cont.)



6 Press START/STOP.

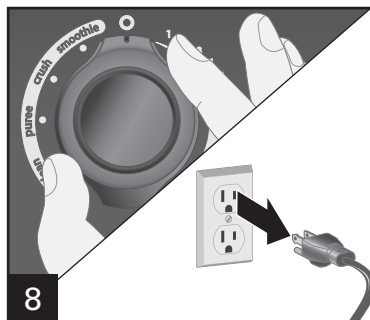


FOR HOT LIQUIDS

**⚠ WARNING Burn Hazard:** When blending hot liquids, do not use quiet shield and remove filler-cap of two-piece lid. To prevent possible burns: Do not exceed the 2-cup (473-ml) level. Hot liquids may push off two-piece lid during blending; therefore, with the protection of an oven mitt or thick towel, place one hand on top of the lid, keep exposed skin away from the lid, and start blending at lowest speed.



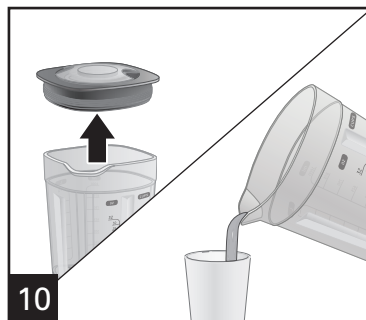
7 Blender will automatically stop at the end of the program. To stop the blender at any time during the program, press START/STOP. If reactivated by pressing START/STOP again, the program will start at the beginning.



8 Rotate control knob to ○ (OFF). Unplug.

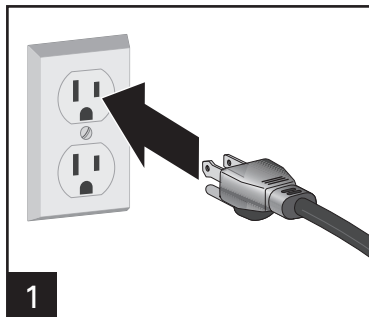


9 Remove quiet shield from blender jar assembly.  
**⚠ WARNING Burn Hazard:** Metal parts under blending jar get hot after use. Do not touch.



10 Remove lid.

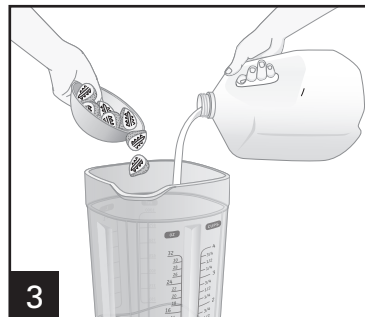
# Using Variable Speed



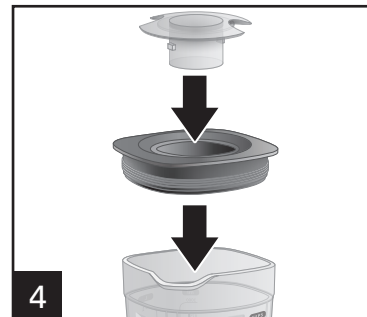
1 Plug in blender.



2 Place blender jar on base.



3 Fill by opening lid. Add ingredients.



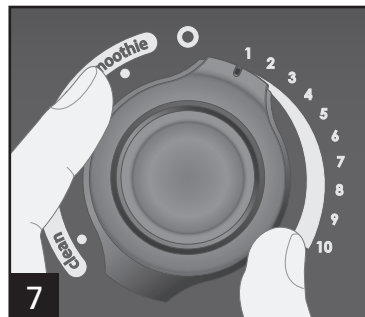
4 Place lid on jar.



5 Place quiet shield over blender jar assembly.



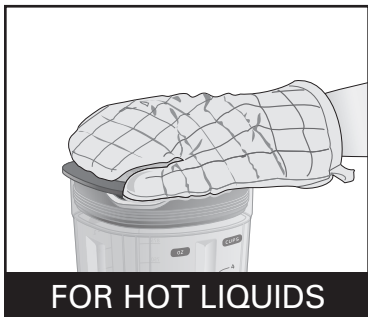
6 Press START/STOP.



7 Rotate control knob clockwise. Always start at speed 1 and adjust to a higher speed after starting blender.



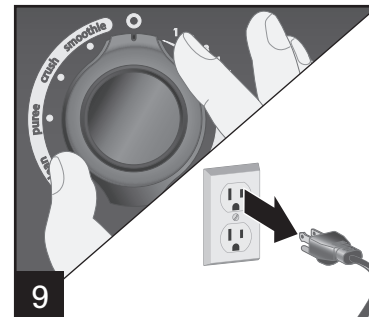
# Using Variable Speed (cont.)



**⚠ WARNING Burn Hazard:** When blending hot liquids, do not use quiet shield and remove filler-cap of two-piece lid. To prevent possible burns: Do not exceed the 2-cup (473-ml) level. Hot liquids may push off two-piece lid during blending; therefore, with the protection of an oven mitt or thick towel, place one hand on top of the lid, keep exposed skin away from the lid, and start blending at lowest speed.



Press START/STOP at any time to stop the blender.



Rotate control knob to **0** (OFF). Unplug.



Remove quiet shield from blender jar assembly.



**⚠ WARNING Burn Hazard:** Metal parts under blending jar get hot after use. Do not touch.



Remove lid.

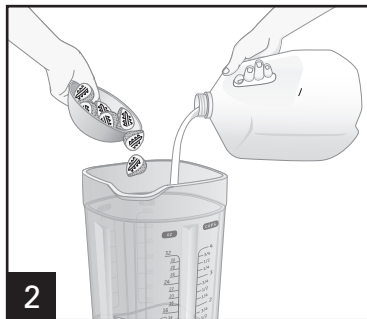


# Using Pulse Setting

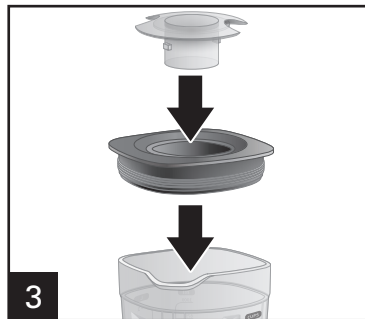
PULSE can be used with variable speeds to control chopping action or to encourage mixing of ingredients.



1 Place blender jar on base.



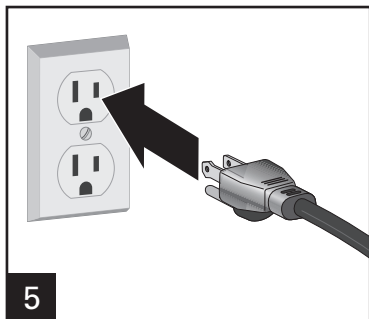
2 Fill by opening lid. Add ingredients.



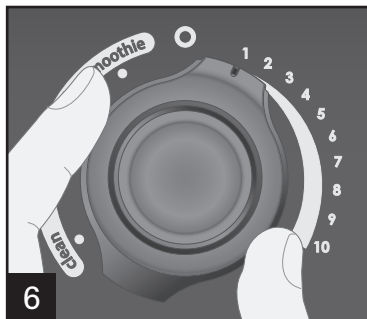
3 Place lid on jar.



4 Place quiet shield over blender jar assembly.



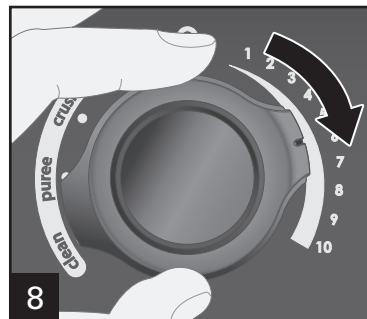
5 Plug in blender.



6 Rotate control knob clockwise to select pulse speed. Always start at speed 1 and adjust to a higher speed after starting to pulse.



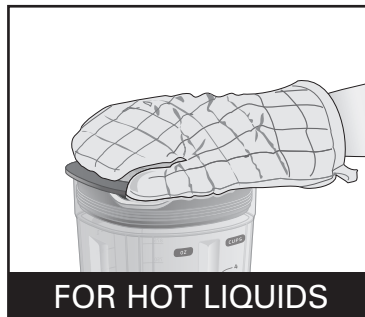
7 Press PULSE button. Increase PULSE speed by rotating the control knob clockwise. To increase speed at the same time as pulsing, press and hold PULSE button.



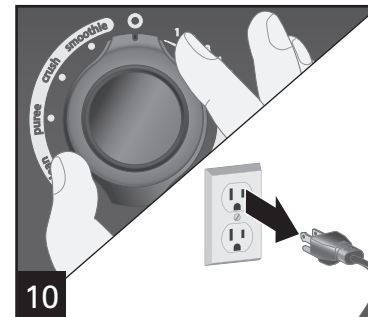
# Using Pulse Setting (cont.)



Hold down the PULSE button for the desired time.



**⚠ WARNING Burn Hazard:** When blending hot liquids, do not use quiet shield and remove filler-cap of two-piece lid. To prevent possible burns: Do not exceed the 2-cup (473-ml) level. Hot liquids may push off two-piece lid during blending; therefore, with the protection of an oven mitt or thick towel, place one hand on top of the lid, keep exposed skin away from the lid, and start blending at lowest speed.



Rotate control knob to **OFF**. Unplug.



Remove quiet shield from blender jar assembly.



**⚠ WARNING Burn Hazard:** Metal parts under blending jar get hot after use. Do not touch.

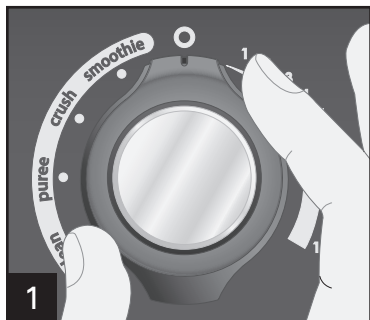


Remove lid.

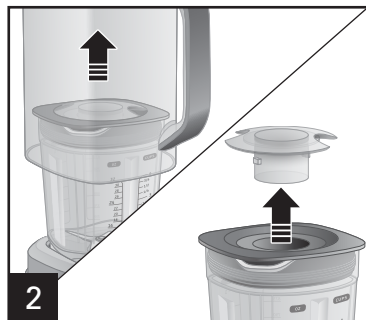


# Using the Tamper

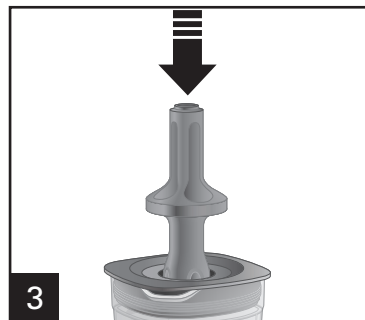
The tamper is an optional tool to help blend very thick and/or frozen mixtures. Use the tamper to remove trapped air bubbles if mixture stops circulating, or to move ingredients from jar corners into the blade. **ONLY** use the tamper with the jar lid in place.



Rotate control knob to **OFF** before using tamper.



Remove quiet shield from blender jar assembly. Remove filler-cap.



Insert tamper into hole in lid. Place one hand on top of the lid and use the tamper to move thick mixtures around in blender jar. Point the tamper toward the sides or corners of the container. Do not try to force the tamper deeper into the container and closer to the blades.



## Tamper Tips:

- Blender jar should not be more than two-thirds full when the tamper is used during blending.
- Do not use tamper with hot liquids.

## Tips to Prevent Overheating:

- Do not process recipes at lower speeds or higher speeds than recommended.
- Do not process recipes longer than recommended.
- Use tamper to process thicker mixtures and keep ingredients moving around and through the blades.

## Blender Tips:

- To add foods when blender is operating, remove filler-cap and add ingredients through the hole in lid.
- For best performance, the minimum amount of liquid needed per recipe is one cup (8 ounces/237 ml). Add more liquid if food is not blending satisfactorily.
- If blending action stops during blending or ingredients stick to sides of the jar, insert tamper to help move the mixture around or add more liquid to the blender jar.
- Do not store food or liquids in the blender jar.
- Avoid bumping or dropping the blender when in operation or at any time.
- Cutting large whole fruits and vegetables may blend more quickly.
- Do not fill blender jar past highest graduation marking.

# Using the Personal Blender Jar

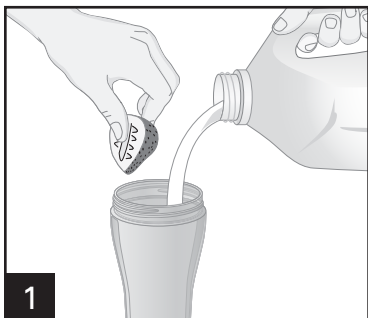
(Optional Accessory on Select Models)

**⚠ WARNING** Burn Hazard.

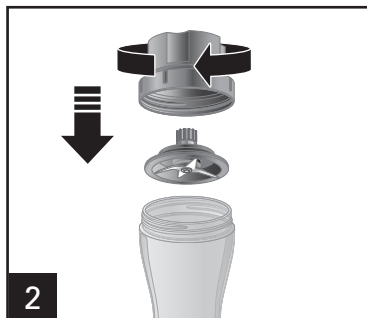
Do not blend hot ingredients. Pressure may build, causing jar to pop off and hot ingredients to erupt.

**⚠ CAUTION** Cut Hazard.

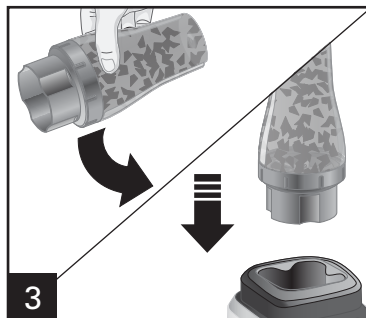
Handle blades carefully; they are very sharp. Make sure unit is turned OFF (●) and is unplugged.



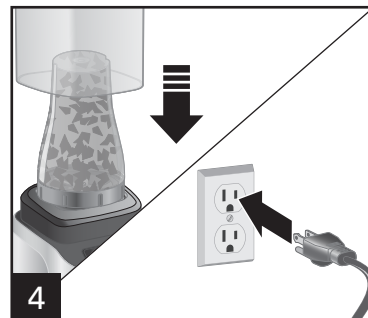
**1**  
Add ingredients to personal blender jar.



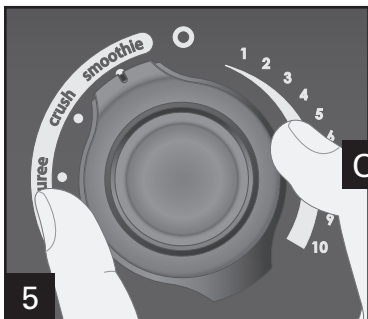
**2**  
Carefully place the removable collar with cutting blade assembly onto jar.



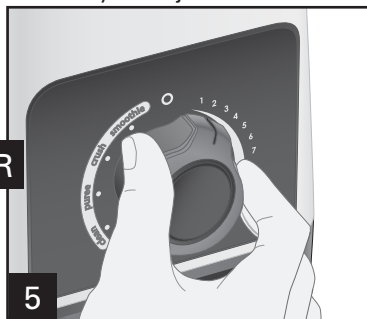
**3**  
Turn personal blender jar upside down. Place onto base.



**4**  
Place quiet shield over jar assembly. If not using the quiet shield, hold jar in place while blending. Plug in blender.



**5**  
Use a program setting.

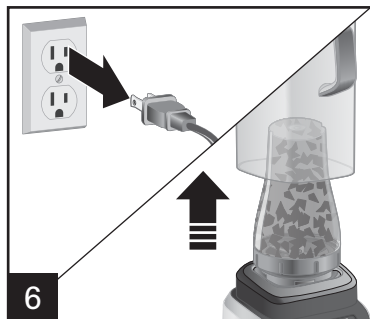


OR

Press START and slowly rotate the VARIABLE SPEED DIAL to the right or left during blending to increase or decrease blending speed, or press the PULSE button to blend 15 to 30 seconds or until smooth. Always operate on a countertop or other supporting surface.

# Using the Personal Blender Jar (cont.)

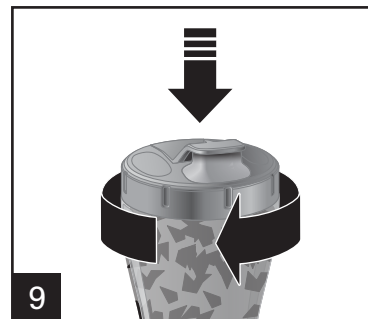
(Optional Accessory on Select Models)



Rotate control knob to **○** (OFF). Unplug. Remove quiet shield from personal blender jar assembly.



Turn bottom up; remove collar and cutting blade assembly from jar.



Hand-tighten drinking lid onto personal blender jar.

## Blending Tips for the 20-oz. Personal Blender Jar

- For best performance in the 20-oz. personal blender jar, the minimum amount of liquid needed per recipe is 3/4 cup (6 ounces/177 ml).
- Do not chop or process hard foods such as cheese, crackers, or meat.
- If blending action stops during blending or ingredients stick to sides of the jar, turn blender OFF (○). Remove jar, collar, and blade and use a narrow rubber spatula to stir.

- Do not process hot foods or liquids in personal blender jar.
- Avoid bumping or dropping the blender jar.
- If blender stops working, unplug and allow 15 minutes before using. Plug into outlet to start blending.
- For blending protein powder drinks, blend less than 16 oz. (473 ml) since protein powders expand during blending.

# Recipes

## Tomatillo Salsa

### Ingredients:

- 4 medium tomatillos, husked and quartered
- 1 small onion, quartered
- 1 small jalapeno, halved
- 1 clove garlic
- 1/2 teaspoon (2.5 ml) salt
- 3 sprigs cilantro

### Directions:

1. Place ingredients into the blender jar in the order listed.
2. Process on Speed 10 until blended.
3. Garnish with additional cilantro and serve as a sauce or with tortilla chips.

**Serves:** 6 to 8

## Strawberry Margarita

### Ingredients:

- 3/4 cup (177 ml) chopped strawberries
- 1 tablespoon (15 ml) sugar
- 2 tablespoons (30 ml) lime juice
- 5 tablespoons (74 ml) tequila
- 2 tablespoons (30 ml) triple sec
- 1 cup (237 ml) ice cubes

### Directions:

1. Place ingredients into the blender jar in the order listed.
2. Blend on CRUSH until blended.
3. Rub the rims of glasses with a wedge of lime. Dip in a dish of kosher salt or sugar. Pour in margarita.

**Serves:** 2 to 3

## Traditional Basil Pesto

### Ingredients:

- 2 cups (473 ml) fresh basil leaves
- 1/2 cup (118 ml) pine nuts
- 2 garlic cloves
- 1/2 cup (118 ml) olive oil
- 1/2 cup (118 ml) grated Parmesan cheese
- 1/4 teaspoon (1.3 ml) salt

### Directions:

1. Place ingredients into the blender jar in the order listed.
2. Select SPEED 5 and PULSE 2–3 times.
3. Press START and gradually increase the speed to SPEED 10, blending until smooth, 30–45 seconds.

**Makes:** 1 1/4 cups

**Test Kitchen Tip:** Divide Traditional Basil Pesto sauce between two ice cube trays; cover with plastic wrap and freeze. When the pesto sauce is frozen solid, pop the pesto cubes out and place in a resealable plastic freezer bag. Remove pesto cubes from bag as needed. For an individual serving, defrost one pesto cube and toss with hot cooked pasta or spread on your favorite sandwich or wrap. For more great tips on using basil, visit our Everyday Good Thinking Blog, Food Focus: Basil.

# Recipes (cont.)

## Creamy Caesar Dressing

### Ingredients:

- 3 anchovies
- 1 clove garlic
- 2 tablespoons (30 ml) lemon juice
- 1 teaspoon (5 ml) Dijon mustard
- 1 teaspoon (5 ml) Worcestershire sauce
- 1/2 teaspoon (2.5 ml) cracked black pepper
- 1/2 cup (118 ml) mayonnaise
- 1/2 cup (118 ml) grated Parmesan cheese
- 1/3 cup (79 ml) olive oil

### Directions:

1. Place anchovies, garlic, lemon juice, mustard, Worcestershire sauce and black pepper in blender jar.
2. Select SPEED 5 and PULSE 2–3 times until mixture is creamy.
3. Add mayonnaise, Parmesan cheese and oil to blender. Select SPEED 3 and PULSE 2–3 times until smooth.
4. Refrigerate.

**Makes:** 1 1/4 cups

**Test Kitchen Tip:** For thinner dressing add water, 1 tablespoon (15 ml) at a time, until desired consistency is reached.

## Triple Berry Smoothie

### Ingredients:

- 1/2 cup (118 ml) cranberry-raspberry juice
- 4 ounces (113 g) fresh strawberries, hulled and quartered (3/4 cup [177 ml])
- 3 ounces (85 g) fresh raspberries (2/3 cup [158 ml])
- 2 ounces (57 g) fresh blueberries (1/3 cup [79 ml])
- 1 small ripe banana, cut into large chunks
- 1/2 cup (118 ml) vanilla yogurt
- 6 ice cubes

### Directions:

1. Place ingredients into the blender jar in the order listed.
2. Select SPEED 5 and PULSE 2–3 times.
3. Press START and gradually increase the speed to SPEED 10, blending until smooth, 30–45 seconds.

**Serves:** 1 to 2

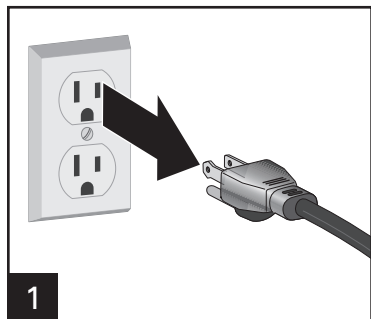
**Test Kitchen Tip:** Try different combinations of fresh berries and juice to make new flavors of smoothies.



# Cleaning Your Blender

## **⚠ WARNING** Electrical Shock Hazard.

Disconnect power before cleaning. Do not immerse cord, plug, base, or motor in water or other liquid.



1

Unplug cord.



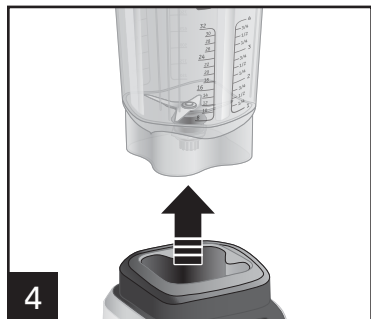
2

After blending, add 1 cup (237 ml) warm water and 1 drop dishwasher liquid to jar. Blend on CLEAN program. Rinse and dry immediately. For a more thorough cleaning, sprinkle 2 tablespoons (30 ml) baking soda in blender. Add 1/2 cup (118 ml) white vinegar. Mixture will bubble. When bubbling subsides, add 1 cup (237 ml) water and blend on the CLEAN cycle. Wash any remaining residue with dish soap and water. Rinse and dry.



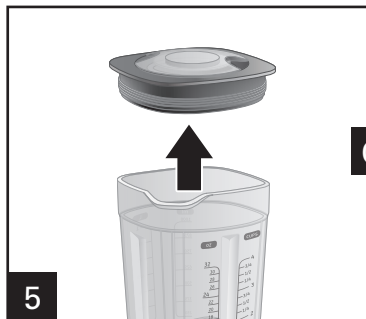
3

Remove quiet shield from blender jar assembly.



4

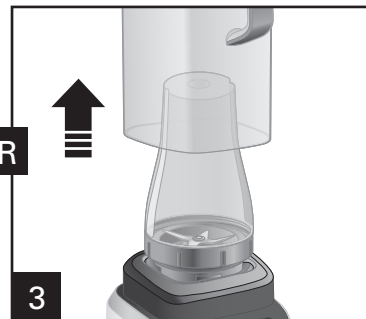
Lift blender jar assembly off the base.



5

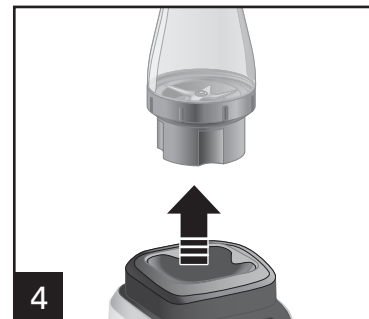
Remove lid.

OR



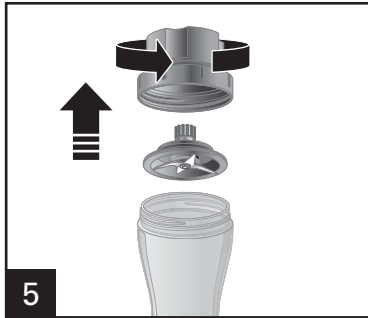
3

Remove quiet shield from personal blender jar assembly.

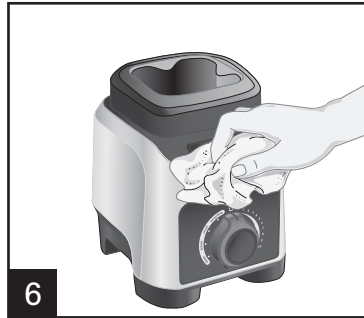


4

# Cleaning Your Blender (cont.)

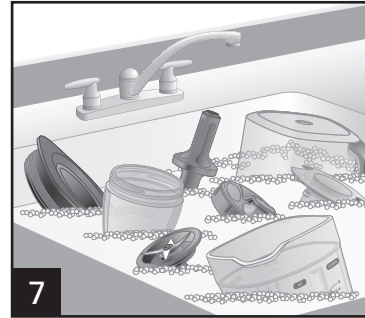


5



6

Wipe blender base, control panel, and cord with a damp cloth or sponge. To remove stubborn spots, use a mild, nonabrasive cleanser.



7

Wash all removable parts in hot, soapy water. Rinse and dry to maintain appearance. Care should be taken when handling the cutting blade assembly since it is very sharp.



**DISHWASHER-SAFE**

DO NOT use the "SANI" setting when washing in the dishwasher. "SANI" cycle temperatures could damage your product.

# Troubleshooting

| <b>PROBLEM</b>                                                              | <b>PROBABLE CAUSE/SOLUTION</b>                                                                                                                                                                                                                                                                                                                                                                                                                                                                                                          |
|-----------------------------------------------------------------------------|-----------------------------------------------------------------------------------------------------------------------------------------------------------------------------------------------------------------------------------------------------------------------------------------------------------------------------------------------------------------------------------------------------------------------------------------------------------------------------------------------------------------------------------------|
| Blender fails to start.                                                     | <ul style="list-style-type: none"><li>• Make sure control knob is not in the <b>○</b> (OFF) position.</li><li>• Check to see if the unit is securely plugged into an electrical outlet of proper voltage and frequency.</li><li>• Check to see if fuse for electrical outlet has blown or if circuit breaker has tripped.</li></ul>                                                                                                                                                                                                     |
| Unit does not respond to button commands.                                   | <ul style="list-style-type: none"><li>• Turn power off and back on using control knob to reset controls.</li><li>• If unit does not respond, call our customer care center at 1.800.851.8900 in the U.S. or 1.800.267.2826 in Canada.</li></ul>                                                                                                                                                                                                                                                                                         |
| Blender smells like it is burning.                                          | <ul style="list-style-type: none"><li>• Turn unit to <b>○</b> (OFF) and allow to cool.</li><li>• Although motors are tested during the manufacturing process, heavy use may cause curing of motor windings. The smell may quickly dissipate after a few heavy uses.</li><li>• If smell continues after additional heavy uses, call our customer care center at 1.800.851.8900 in the U.S. or 1.800.267.2826 in Canada.</li></ul>                                                                                                        |
| There is grease around the bottom of the blender jar or on the counter top. | <ul style="list-style-type: none"><li>• Monitor the problem and source. This may indicate an issue with the jar bearings.</li><li>• Call our customer care center at 1.800.851.8900 in the U.S. or 1.800.267.2826 in Canada if the condition persists.</li></ul>                                                                                                                                                                                                                                                                        |
| Blender jar is cloudy or stained. How can I clean it?                       | <ul style="list-style-type: none"><li>• Some cloudiness may be natural after use. The minerals from fruits, produce, and leafy greens, in addition to the oils of various nut butters, can sometimes cause a film on the blender jar.</li><li>• Sprinkle 2 tablespoons (30 ml) baking soda in blender. Add 1/2 cup (118 ml) white vinegar. Mixture will bubble. When bubbling subsides, add 1 cup (237 ml) water and blend on the CLEAN cycle. Wash any remaining residue with dish soap and water. Rinse and dry thoroughly.</li></ul> |

# Hamilton Beach 5-Year Limited Warranty

This warranty applies to products purchased and used in the U.S. and Canada. This is the only express warranty for this product and is in lieu of any other warranty or condition.

This product is warranted to be free from defects in material and workmanship for a period of five (5) years from the date of original purchase. During this period, your exclusive remedy is repair or replacement of this product or any component found to be defective, at our option; however, you are responsible for all costs associated with returning the product to us and our returning a product or component under this warranty to you. If the product or component is no longer available, we will replace with a similar one of equal or greater value.

This warranty does not cover glass, filters, wear from normal use, use not in conformity with the printed directions, or damage to the product resulting from accident, alteration, abuse, or misuse. This warranty extends only to the original consumer purchaser or gift recipient. Keep the original sales receipt, as proof of purchase is required to make a warranty claim. This warranty is void if the product is used for other than single-family household use or subjected to any voltage and waveform other than as specified on the rating label (e.g., 120V ~ 60 Hz).

We exclude all claims for special, incidental, and consequential damages caused by breach of express or implied warranty. All liability is limited to the amount of the purchase price. **Every implied warranty, including any statutory warranty or condition of merchantability or fitness for a particular purpose, is disclaimed except to the extent prohibited by law, in which case such warranty or condition is limited to the duration of this written warranty.** This warranty gives you specific legal rights. You may have other legal rights that vary depending on where you live. Some states or provinces do not allow limitations on implied warranties or special, incidental, or consequential damages, so the foregoing limitations may not apply to you.

To make a warranty claim, do not return this appliance to the store. Please call 1.800.851.8900 in the U.S. or 1.800.267.2826 in Canada or visit [hamiltonbeach.com](http://hamiltonbeach.com) in the U.S. or [hamiltonbeach.ca](http://hamiltonbeach.ca) in Canada. For faster service, locate the model, type, and series numbers on your appliance.

Hamilton Beach Brands, Inc.  
4421 Waterfront Drive  
Glen Allen  
Virginia 23060  
USA

# PRÉCAUTIONS IMPORTANTES

Pour utiliser un appareil électroménager, vous devez toujours prendre des mesures élémentaires de sécurité pour réduire le risque d'incendie, d'électrocution et/ou de blessure corporelle, en particulier les mesures suivantes :

1. Lire toutes les instructions.
2. Cet appareil n'est pas destiné à être utilisé par des personnes (y compris les enfants) dont les capacités physiques, sensorielles ou mentales sont réduites, ou manquant d'expérience et de connaissance, sauf si elles sont étroitement surveillées et instruites sur l'utilisation de l'appareil par une personne responsable de leur sécurité.
3. Une surveillance étroite est requise pour tout appareil utilisé par ou près des enfants. Surveiller que les enfants ne jouent pas avec l'appareil.
4. Pour éviter les risques d'électrocution, ne pas immerger le cordon, la fiche, la base ou le moteur dans l'eau ou tout autre liquide.
5. Débrancher le cordon de la prise dès la fin de l'utilisation, avant d'installer ou de retirer des pièces et avant le nettoyage.
6. Éviter de toucher les parties mobiles.
7. Ne pas faire fonctionner un appareil électroménager avec un cordon ou une fiche endommagée, ou lorsque l'appareil ne fonctionne pas bien ou a été échappé ou endommagé d'une manière quelconque. Le remplacement et la réparation du cordon d'alimentation doivent être faits par le fabricant, son agent de service ou toute personne qualifiée de façon à éviter tout danger. Appeler le numéro de service à la clientèle fourni pour des renseignements concernant l'examen, la réparation ou l'ajustement.
8. L'utilisation d'accessoires non recommandés par le fabricant ou vendus par le fabricant de l'appareil, incluant les boîtes de conserve, peut provoquer des blessures.
9. Ne pas utiliser à l'extérieur.
10. Ne pas laisser pendre le cordon de la table ou du comptoir et éviter tout contact entre le cordon et les surfaces chaudes incluant la cuisinière.
11. Ne pas placer sur ou à proximité d'un brûleur électrique ou à gaz chaud ou dans un four chaud.
12. Garder les mains et les ustensiles à l'extérieur du récipient et loin des lames pendant le mélange ou la transformation des aliments afin d'éviter les blessures graves, et/ou des dommages au mélangeur ou accessoires disponibles (accessoires n'est peut-être pas fourni avec le mélangeur). Un racloir en caoutchouc peut être utilisé, mais uniquement lorsque le moteur de l'appareil est arrêté.
13. Les lames sont tranchantes ; manipuler avec soin lors de l'assemblage et du démontage ou lors du nettoyage de l'intérieur du récipient du mélangeur.
14. Pour éviter les risques de blessure, ne jamais placer l'assemblage des lames sans avoir correctement sécurisé le récipient sur la base.
15. Ne pas utiliser un récipient de mélangeur brisé, craqué ou fissuré.
16. Ne pas utiliser des lames brisées, fissurées ou lâches.
17. Utiliser toujours le mélangeur alors que le couvercle et le bouchon de remplissage sont en place. Retirer le bouchon de remplissage uniquement pour ajouter des ingrédients ou pour insérer le presse-aliments.
18. Lorsque vous mélangez des liquides ou des ingrédients chauds, retirer du couvercle le bouchon de remplissage. Soyez prudent : des éclaboussures ou une vapeur excessive pourraient causer des brûlures. Ne dépasser pas la marque de 2 tasses (473 ml). Commencer toujours à mélanger à la vitesse la plus basse. Garder vos mains et les autres parties de la peau exposées à l'écart du couvercle ouvert pour éviter de possibles brûlures.
19. Assurez-vous que les lames sont bien serrées et fixées au récipient. Des risques de blessures peuvent survenir si les lames en mouvement sont accidentellement exposées.

20. Si le récipient bouge ou tourne pendant que le moteur est en marche (ON), mettre immédiatement le mélangeur hors tension (O) puis serrer le collier au mélangeur ou à la base du mélangeur.
21. Ne pas laisser le mélangeur sans surveillance pendant le fonctionnement.

22. Avant de brancher la fiche dans la prise, tourner la commande à O (ARRÊT). Débrancher le cordon et tourner la commande à O (ARRÊT). Retirer ensuite la fiche de la prise murale.
23. N'utiliser cet appareil que pour les fonctions auxquelles il est destiné.

## CONSERVER CES INSTRUCTIONS !

### Autres consignes de sécurité pour le consommateur

**Cet appareil est destiné à un usage domestique uniquement.  
Utiliser seulement pour les aliments et les liquides.**

**▲ AVERTISSEMENT Risque de choc électrique :** Cet appareil est fourni avec une fiche à prise de terre (3 broches) pour réduire le risque de choc électrique. La fiche ne tient que dans un sens dans une prise mise à la terre. Ne pas transformer le dispositif de sécurité de la fiche en modifiant celle-ci de quelque façon ou en utilisant un adaptateur. Si vous ne pouvez pas insérer la fiche dans la prise, faire remplacer la prise par un électricien.

La longueur du cordon installé sur cet appareil a été sélectionnée afin de réduire les risques d'enchevêtrement ou de faux pas causés par un fil trop long. L'utilisation d'une rallonge approuvée est permise si le cordon est trop court. Les caractéristiques électriques de la rallonge doivent être équivalentes ou supérieures aux caractéristiques de l'appareil. La rallonge doit être du type à mise

à la terre, à 3 fils. Prendre toutes les précautions nécessaires pour installer la rallonge de manière à ne pas la faire courir sur le comptoir ou sur une table pour éviter qu'un enfant ne tire sur le cordon ou trébuche accidentellement.

Les lames qui se bloquent ou refusent de bouger peuvent endommager le moteur. Ne pas utiliser. Appeler le centre de service à la clientèle pour obtenir des renseignements.

Ne pas stocker le récipient du mélangeur au congélateur s'il contient des aliments ou du liquide. Ceci pourrait endommager les lames, le récipient, le mélangeur et éventuellement, occasionner des blessures.

**REMARQUE : Cet appareil est équipé avec une protection contre les surcharges du moteur. Si le moteur cesse de fonctionner en raison d'une surchauffe, débrancher l'appareil et laisser-le refroidir pendant environ 15 minutes. Rebrancher l'appareil pour reprendre son fonctionnement normal.**

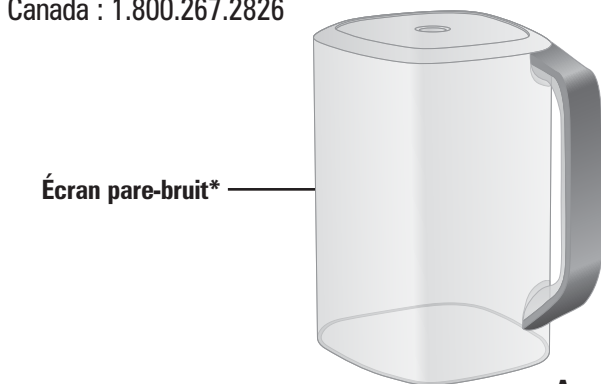
### **Information au sujet de la tension et de la puissance maximale**

La puissance et l'intensité nominales du mélangeur sont déterminées par un essai du Underwriters laboratories basé sur des combinaisons de lames, de récipient et des accessoires pouvant ne pas être offerts pour votre appareil, mais offertes comme pièces de rechange. Ceci est une mesure d'entrée de tension et d'intensité suite à un fonctionnement d'une durée de 30 secondes. Le mélangeur, comme fourni, peut être plus éconergétique.

La puissance maximale est la mesure de la puissance restituée du moteur au cours des premières secondes de fonctionnement. Ceci représente la puissance maximale requise par votre mélangeur pour piler la glace, les fruits congelés, etc. Ceci est une mesure plus juste du moteur du mélangeur lors de sa demande énergétique maximale.

# Pièces et caractéristiques

\*Pour commander des pièces :  
Canada : 1.800.267.2826



Écran pare-bruit\*



Panneau de commande

Arrêt (O)

**AVANT LA PREMIÈRE UTILISATION** : Déballez le mélangeur et nettoyez-le selon les instructions du chapitre «Nettoyage du mélangeur».

**Gobelet 1 portion**  
(accessoire en option sur certains modèles)



Bouchon de remplissage\*

Couvercle\*

Réceptacle de mélangeur\*

Assemblage de lames coupantes amovible\*

Collier amovible\*

Pilon\*

Assemblage de lames coupantes

Base du récipient\*

Bouton PULSE (impulsion)

Bouton START/STOP (marche/arrêt)

Base

Vitesses variables

Bouton de commande\*

Gobelet 1 portion\*

# Pièces et caractéristiques (suite)

**Écran pare-bruit** : L'écran pare-bruit réduit l'intensité du bruit du mélangeur. Lorsque placé par-dessus le récipient du mélangeur ou du gobelet 1 portion, il diminue l'intensité du bruit produit par le mélangeur.

**Bouchon de remplissage** : Le bouchon de remplissage est doté d'indications pour faciliter la prise de mesures et faire d'exquises sauces pour salade et des marinades. Lorsqu'on retire ce bouchon de remplissage, il est possible d'ajouter des ingrédients ou d'insérer le pilon par l'ouverture du couvercle.

**Couvercle** : Ce couvercle est facile à installer, retirer et nettoyer. Toujours utiliser le couvercle et le bouchon de remplissage lorsque l'appareil est en marche.

**Pilon** : Il vous permet de mélanger des préparations épaisses ou congelées qui ne peuvent l'être avec une opération régulière. Il évite la formation de poches d'air et constitue un outil pratique pour réaliser des beurres de noix.

**Récipient de mélangeur** : Le récipient robuste est pourvu de marques claires pour les onces, les tasses et les millilitres.

**Gobelet 1 portion du mélangeur** : Ce gobelet facilite la préparation de breuvages prêts à emporter.

**Couvercle vissable** : Dès que le mélange du gobelet 1 portion est terminé, retirer le collier et l'assemblage de lames et visser le couvercle.

**Assemblage des lames coupantes** : Elle est fixée de manière permanente au mélangeur.

**Base du récipient** : Vous n'avez qu'à tirer pour retirer la base en caoutchouc pour un nettoyage aisé.

**Boutons de commande** : Deux boutons sont placés sur le haut de la base. Vous pouvez utiliser START/STOP (marche/arrêt) en combinaison avec n'importe quel réglage. Utiliser le bouton PULSE (impulsion) avec n'importe quelle vitesse variable.

**Bouton de commande** : Tourner le bouton pour mettre le mélangeur à OFF (⊖) et pour sélectionner le mode de mélange : VARIABLE SPEEDS (vitesses variables), SMOOTHIE (frappé aux fruits), CRUSH (broyage), PUREE (purée) et CLEAN (nettoyage).

**Vitesses variables** : Sélectionner n'importe quelle vitesse pour mélanger et utiliser le mode PULSE (impulsion) en tournant le cadran de commande de 1 à 10.

**Base** : Elle contient le moteur. NE PAS IMMERGER LA BASE DANS L'EAU.

**Protection automatique contre les surcharges** : Le mélangeur professionnel Hamilton Beach est équipé d'une protection contre les surchauffes du moteur. Si le moteur s'arrête à cause d'une surchauffe alors qu'il fonctionnait, débrancher l'appareil et laisser le refroidir pendant environ 15 minutes. Rebrancher le mélangeur pour reprendre l'usage normal.

**Préparation du mélangeur** : Une fois l'appareil déballé, laver toutes les pièces avec de l'eau savonneuse à l'exception de la base du mélangeur. Sécher entièrement le tout. Essuyer la base du mélangeur avec un linge ou une éponge humide. N'IMMERGER PAS LA BASE DANS L'EAU. Soyez prudent lorsque vous manipulez l'assemblage des lames coupantes, car elle est très coupante. Consulter les recommandations d'entretien à la page 36.

**IMPORTANT** : Le récipient du mélangeur ainsi que l'assemblage des lames coupantes sont sujets à de l'usure lors d'un usage normal. Assurez-vous de toujours inspecter le récipient afin d'y déceler des entailles, des ébréchures ou des fissures. Inspecter toujours l'assemblage des lames coupantes afin de vérifier si elle est brisée, fissurée ou desserrée. Si le récipient ou l'assemblage des lames coupantes est endommagé, ne les utiliser pas. Contacter le service à la clientèle afin d'obtenir des pièces de rechange.

**Sélection des réglages du mélangeur** : Sélectionner à partir quatre réglages de programme ou utiliser de contrôle de la vitesse précis pour des vitesses variables.

## ⚠ AVERTISSEMENT



**Risque de brûlures.** Les pièces métalliques situées sous le récipient du mélangeur deviennent chaudes après utilisation. N'y toucher pas.

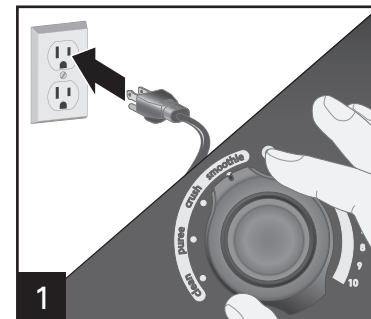


# Utilisation des réglages de programme

Les programmes sont optimisés pour des catégories de recette et leur durée et vitesse varient. À la fin du programme, le mélangeur s'arrête automatiquement. Certaines recettes peuvent nécessiter plus ou moins de temps de mélange.

## Programmes :

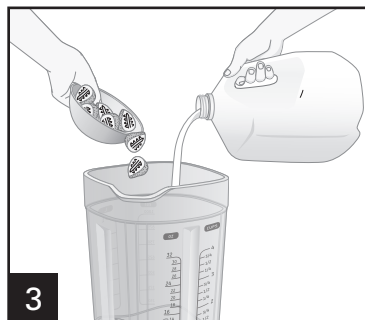
- **SMOOTHIE (frappé aux fruits)** – Pour mélanger les laits frappés congelés ou frais. Le mélangeur effectuera cinq impulsions au début pour broyer la glace ou les ingrédients congelés et accélérera jusqu'à la vitesse 10 pendant 60 secondes.
- **CRUSH (broyage)** – Permet de briser de la glace en morceaux suffisamment petits pour faire des barbotines ou des cocktails fins. Le mélangeur effectue continuellement des impulsions de la vitesse 1 à 5 pendant 1 minute.
- **PUREE (purée)** – Permet de donner une consistance lisse et crémeuse aux fruits et végétaux en purée, ou une texture fine la fabrication de sucre en poudre. La vitesse du mélangeur passe lentement de la vitesse 1 à 10 pendant 1 minute 15 secondes.
- **CLEAN (nettoyage)** – Pour faciliter le nettoyage, ajouter 2 tasses (473 ml) d'eau chaude et 2 gouttes de détergent à vaisselle dans le récipient du mélangeur avant d'utiliser le programme de nettoyage. Mettre le capuchon de remplissage sur le couvercle. Faire fonctionner le mélangeur pendant 1 minute. Rincer et sécher.



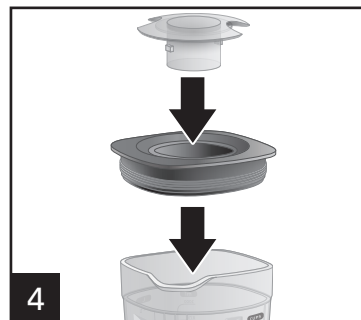
1  
Tourner le bouton de commande à la position 0 (arrêt) pour utiliser l'un des programmes suivants : SMOOTHIE (lait frappé), CRUSH (broyage), PUREE (purée) ou CLEAN (nettoyage).



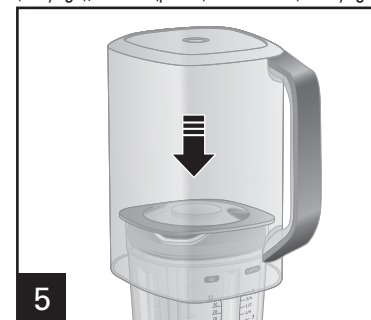
2  
Placer le récipient du mélangeur sur la base.



3  
Procéder au remplissage en ouvrant le couvercle. Ajouter les ingrédients.



4  
Installer le couvercle sur le récipient.



5  
Placer l'écran pare-bruit sur l'assemblage du récipient du mélangeur.

# Utilisation des réglages de programme (suite)



**6**  
Appuyer sur START/STOP (marche/arrêt).



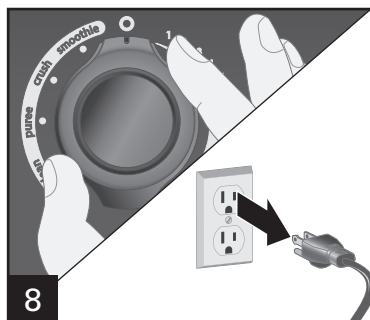
**POUR LES LIQUIDES CHAUDS**

## **⚠ AVERTISSEMENT**

**Risque de brûlures.** Lors du mélange de liquides chauds, ne pas utiliser l'enceinte antibruit et retirer le bouchon de remplissage du couvercle. Pour éviter les brûlures éventuelles : Ne pas remplir au-delà de la marque 2 tasses (473 ml) du récipient. À l'aide d'un gant de cuisinier ou d'une serviette épaisse, placer une main sur le dessus du couvercle. Garder la peau exposée éloignée du couvercle. Commencer à mélanger en utilisant la vitesse minimale.



**7**  
Le mélangeur s'arrêtera automatiquement à la fin du programme. À tout moment du programme, pour arrêter le mélangeur, appuyer sur START/STOP (marche/arrêt). S'il est réactif en appuyant de nouveau sur START/STOP (marche/arrêt), le programme redémarrera au début.



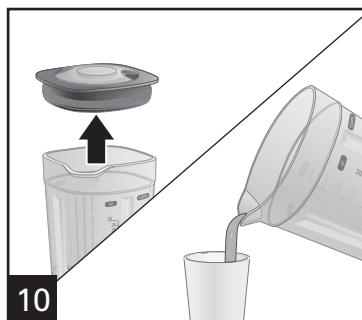
**8**  
Tourner le bouton de commande à la position **○** (arrêt). Débrancher.



**9**  
Retirer l'enceinte antibruit de l'assemblage du récipient du mélangeur. Retirer le couvercle.

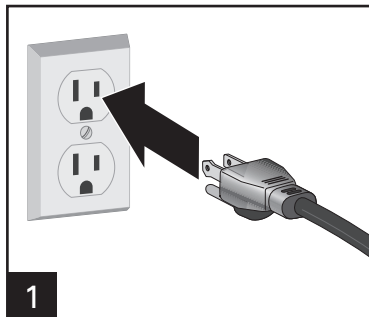
## **⚠ AVERTISSEMENT Risque de brûlures :**

Les pièces métalliques situées sous le récipient du mélangeur deviennent chaudes après utilisation. N'y toucher pas.



**10**

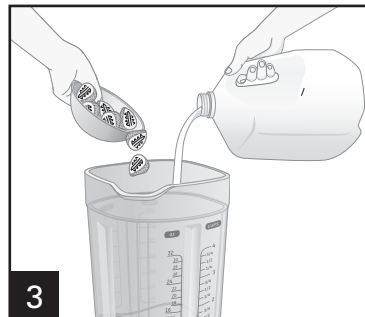
# Utilisation des vitesses variables



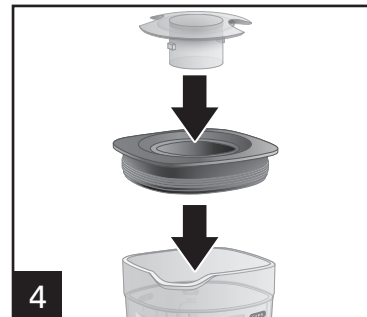
**1** Brancher le mélangeur.



**2** Placer le récipient du mélangeur sur la base.



**3** Procéder au remplissage en ouvrant le couvercle. Ajouter les ingrédients.



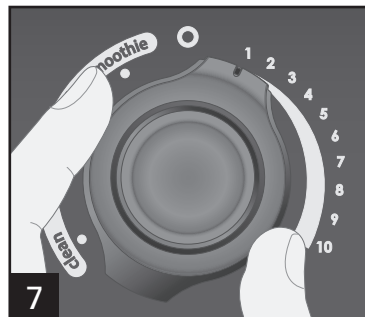
**4** Installer le couvercle sur le récipient.



**5** Placer l'écran pare-bruit sur l'assemblage du récipient du mélangeur.



**6** Appuyer sur START/STOP (marche/arrêt).



Tourner le bouton de commande vers à droite. Toujours commencer à la vitesse 1 et augmenter ensuite la vitesse après avoir mis le mélangeur en marche.

# Utilisation des vitesses variables (suite)

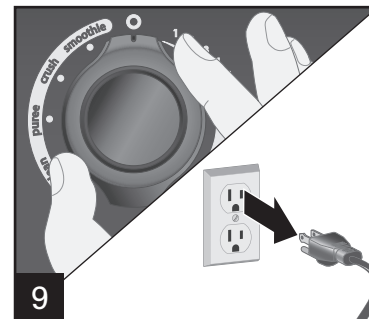



## ⚠ AVERTISSEMENT

**Risque de brûlures.** Lors du mélange de liquides chauds, ne pas utiliser l'enceinte antibruit et retirer le bouchon de remplissage du couvercle. Pour éviter les brûlures éventuelles : Ne pas remplir au-delà de la marque 2 tasses (473 ml) du récipient. À l'aide d'un gant de cuisinier ou d'une serviette épaisse, placer une main sur le dessus du couvercle. Garder la peau exposée éloignée du couvercle. Commencer à mélanger en utilisant la vitesse minimale.



À tout moment, appuyer sur START/STOP (marche/arrêt) pour arrêter le mélangeur.



Tourner le bouton de commande à la position  (arrêt). Débrancher.



Retirer l'enceinte antibruit de l'assemblage du récipient du mélangeur.



## ⚠ AVERTISSEMENT Risque de brûlures :

Les pièces métalliques situées sous le récipient du mélangeur deviennent chaudes après utilisation. N'y toucher pas.



Retirer le couvercle.

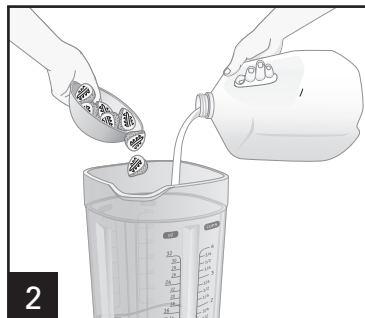


# Utilisation du mode d'impulsion (PULSE)

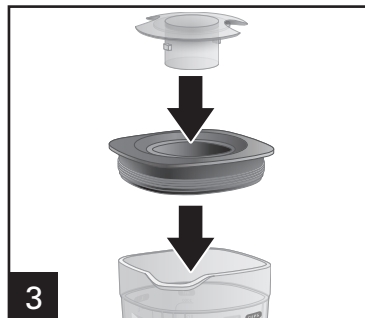
Le programme PULSE (impulsion) peut être utilisé avec les vitesses variables pour contrôler le hachage ou pour intensifier le mélange des ingrédients.



**1** Placer le récipient du mélangeur sur la base.



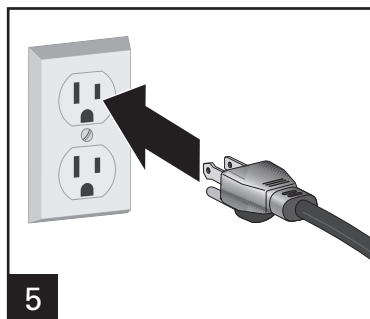
**2** Procéder au remplissage en ouvrant le couvercle. Ajouter les ingrédients.



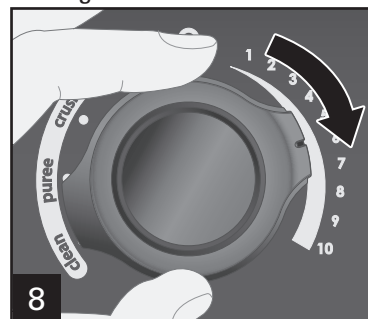
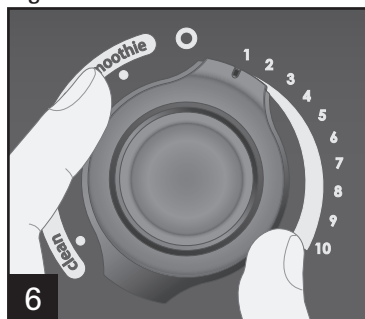
**3** Installer le couvercle sur le récipient.



**4** Placer l'écran pare-bruit sur l'assemblage du récipient du mélangeur.



**5** Brancher le mélangeur. Tourner le bouton de commande vers la droite pour sélectionner la vitesse du programme PULSE (impulsion). Toujours commencer à la vitesse 1 et régler à une vitesse plus rapide après avoir commencé le mélange par impulsion. Appuyer sur le bouton PULSE (impulsion). Augmenter la vitesse du programme PULSE (impulsion) en tournant le bouton de commande vers la droite. Pour augmenter la vitesse en même temps que le mélange par impulsion, appuyer et maintenir le bouton PULSE (impulsion) enfoncé.



# Utilisation du mode d'impulsion (PULSE) (suite)



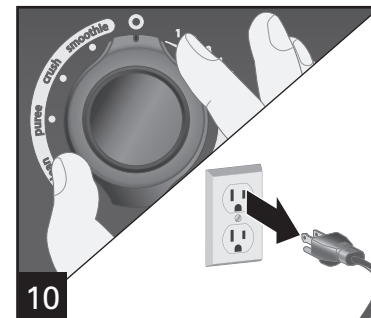
9  
Maintenir le bouton PULSE (impulsion) enfoncé pour obtenir la durée souhaitée.



POUR LES LIQUIDES CHAUDS

## ⚠ AVERTISSEMENT

**Risque de brûlures.** Lors du mélange de liquides chauds, ne pas utiliser l'enceinte antibruit et retirer le bouchon de remplissage du couvercle. Pour éviter les brûlures éventuelles : Ne pas remplir au-delà de la marque 2 tasses (473 ml) du récipient. À l'aide d'un gant de cuisinier ou d'une serviette épaisse, placer une main sur le dessus du couvercle. Garder la peau exposée éloignée du couvercle. Commencer à mélanger en utilisant la vitesse minimale.



10  
Tourner le bouton de commande à la position 0 (arrêt). Débrancher.



11  
Retirer l'enceinte antibruit de l'assemblage du récipient du mélangeur.



## ⚠ AVERTISSEMENT

**Risque de brûlures :** Les pièces métalliques situées sous le récipient du mélangeur deviennent chaudes après utilisation. N'y toucher pas.



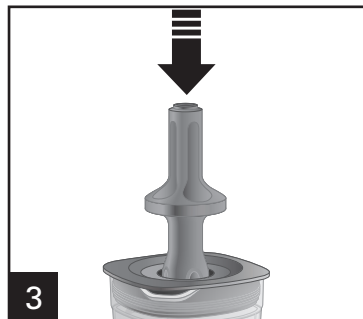
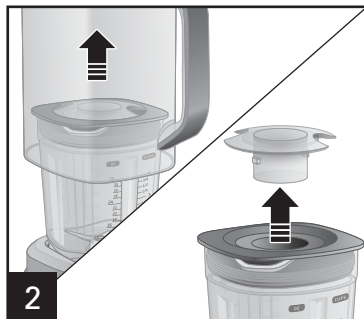
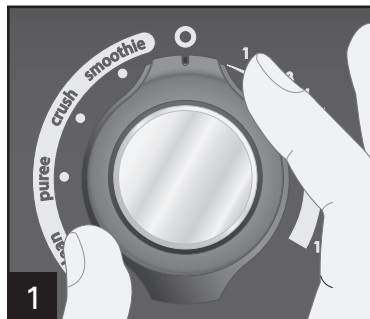
13  
Retirer le couvercle.



14

# Utilisation du pilon

Le pilon est un accessoire facultatif pour aider à mélanger les aliments épais et congelés. Utilisez le presse-aliments pour retirer les bulles d'air emprisonnées si la préparation cesse de circuler ou pour déplacer les ingrédients des coins du contenant vers les lames. Utilisez le presse-aliments UNIQUEMENT lorsque le couvercle du récipient est en place.



Tourner le bouton de commande à la position **○** (arrêt) avant d'utiliser le pilon. Retirer l'enceinte antibruit de l'assemblage du récipient du mélangeur. Retirer le bouchon de remplissage. Insérer le pilon dans l'ouverture du couvercle. Placer une main sur le dessus du couvercle et utiliser le pilon pour déplacer les mélanges épais autour du récipient du mélangeur. Diriger le pilon vers les parois ou les coins du récipient. Ne tenter pas d'enfoncer le pilon plus profondément dans le contenant ou près des lames.

Conseils relatifs au pilon :

- Le contenu du récipient du mélangeur ne doit pas être supérieur aux deux tiers de sa capacité lorsque vous utilisez le pilon.
- N'utiliser pas le pilon avec des liquides chauds.

Conseils pour éviter la surchauffe du moteur :

- Ne réaliser pas de recette à des vitesses inférieures ou supérieures à celles recommandées.
- Ne mélanger pas de recette plus longtemps que recommandé.
- Utiliser le pilon pour les mélanges plus épais et faites en sorte que les ingrédients se déplacent autour des lames et à travers celles-ci.

Conseils relatifs au mélangeur :

- Pour ajouter des aliments lorsque le mélangeur fonctionne, retirer le bouchon de remplissage et ajouter les ingrédients par l'ouverture.
- Pour une meilleure performance, la quantité minimum de liquide nécessaire par recette est d'une tasse (8 onces/237 ml). Ajouter plus de liquide si la recette ne se mélange pas correctement.
- Si l'action de mélange s'arrête pendant l'opération ou si les ingrédients collent aux parois du récipient, insérer le pilon pour favoriser le mouvement du mélange. Sinon, ajouter plus de liquide au récipient.
- Ne ranger pas d'aliments ou de liquides dans le récipient du mélangeur.
- En tout temps, éviter de cogner ou de laisser tomber le mélangeur lorsqu'il fonctionne.
- Il pourrait être plus facile de mélanger si les fruits et légumes entiers sont d'abord coupés.
- Ne remplir pas le récipient du mélangeur au-delà de la dernière marque graduée.

# Utilisation du gobelet 1 portion

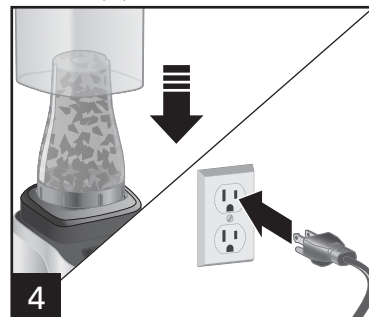
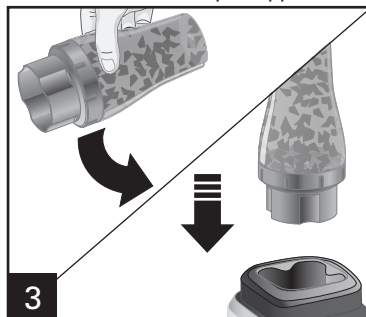
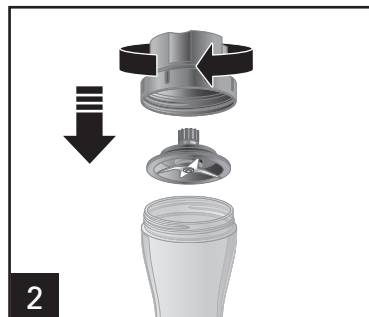
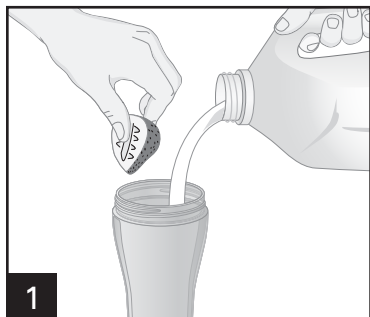
(accessoire en option sur certains modèles)

**⚠ AVERTISSEMENT** Risque de brûlures.

Ne pas mélanger d'ingrédients chauds. La pression provoquée par la chaleur peut provoquer l'éclatement du couvercle et répandre les ingrédients chauds.

**⚠ MISE EN GARDE** Risque de coupures.

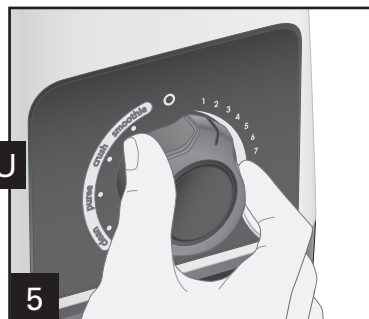
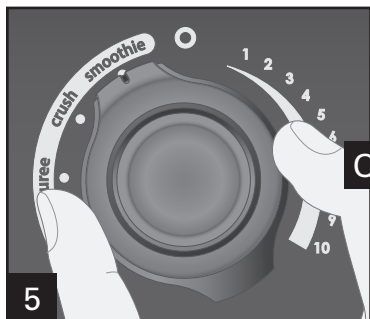
Tenir les lames avec soins ; ils sont très coupantes. S'assurer que l'appareil est hors tension (⓪) et débranché.



1 Ajouter les ingrédients dans le gobelet 1 portion. Installer soigneusement le collier amovible et l'assemblage de lames sur le gobelet.

3 Inverser le gobelet 1 portion et l'installer sur la base.

4 Installer l'écran pare-bruit sur l'assemblage du gobelet. Si l'écran pare-bruit n'est pas installé, tenir le gobelet en place pendant le mélange. Brancher le mélangeur.



OU

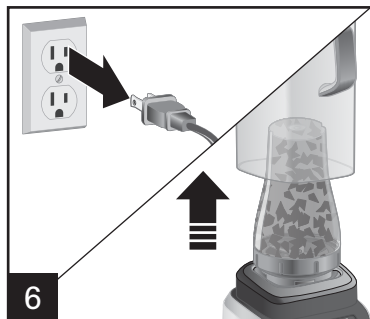
Appuyer sur le bouton de START (marche/arrêt) et tourner lentement le SELECTEUR DE VITESSES VARIABLES vers la droite ou la gauche pendant le mélange pour augmenter ou réduire la vitesse du mélangeur ou appuyer sur le bouton PULSE (impulsion) pour mélanger de 15 à 30 secondes ou jusqu'à ce que la texture soit lisse. Toujours faire fonctionner sur un comptoir ou une autre surface ferme.

5 Sélectionner un réglage de programme.



# Utilisation du gobelet 1 portion (suite)

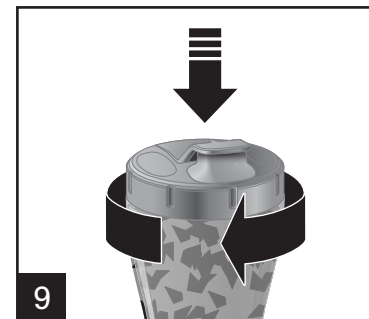
(accessoire en option sur certains modèles)



Tourner le bouton de commande à la position **O** (arrêt). Débrancher. Retirer l'enceinte antibruit de l'assemblage du récipient pour portion individuelle du mélangeur.



Inverser le récipient, retirer le collier et l'assemblage de lames.



Visser et serrer manuellement le couvercle à bec verseur sur le gobelet 1 portion.

Conseils de mélange pour le gobelet 1 portion de 20 oz

- Pour un meilleur résultat dans le gobelet 1 portion de 20 oz, la quantité minimale de liquide nécessaire par recette est de 3/4 tasse (6 oz/177 ml).
- Ne hacher ni ne mélanger des aliments durs comme le fromage, les craquelins ou la viande.
- Si le mouvement de brassage cesse en cours de mélange ou si les ingrédients adhèrent aux parois du bol, éteindre (**O**) le mélangeur. Retirer la bouteille, le collier et la lame et mélanger avec une spatule étroite en plastique.

- Ne pas transformer d'aliments ou de liquides chauds dans le gobelet 1 portion.
- Éviter de frapper ou d'échapper en tout temps le récipient du mélangeur.
- Si le mélangeur cesse de fonctionner, le débrancher et attendre 15 minutes avant de l'utiliser à nouveau. Brancher la fiche dans la prise de courant et commencer le mélange.
- Parce que le volume des poudres protéinées augmente pendant le mélange, éviter de mélanger plus de 16 oz (473 ml).

# Recettes

## Salsa de tomates

### Ingrédients :

4 tomates moyennes, écalées et coupées en quartier  
1 petit oignon, coupé en quartier  
1 petit piment jalapeno, coupé en deux  
1 gousse d'ail  
1/2 c. à thé (2,5 ml) de sel  
3 branches de coriandre

### Instructions :

1. Déposer les ingrédients dans le récipient du mélangeur et dans l'ordre indiqué.
2. Transformer à la vitesse 10 jusqu'à ce que le tout soit bien mélangé.
3. Garnir avec d'autres feuilles de coriandre et servir comme sauce ou avec des tortillas en croustilles.

**Servir :** 6 à 8

## Margarita à la fraise

### Ingrédients :

3/4 tasse (177 ml) de fraises tranchées  
1 c. à table (15 ml) de sucre  
2 c. à table (30 ml) de jus de limette  
5 c. à table (74 ml) de téquila  
2 c. à table (30 ml) de triple sec  
1 tasse (237 ml) de cubes de glace

### Instructions :

1. Déposer les ingrédients dans le récipient du mélangeur et dans l'ordre indiqué.
2. Bien mélanger en utilisant le mode CRUSH (broyage).
3. Frotter les rebords des verres avec un quartier de limette. Tremper dans un plat rempli de sel ou sucre cachère. Verser le margarita dans ces verres.

**Servir :** 2 à 3

## Pesto au basilic traditionnel

### Ingrédients :

2 tasses (473 ml) de feuilles de basilic frais  
1/2 tasse (118 ml) de noix de pin  
2 gousses d'ail  
1/2 tasse (118 ml) d'huile d'olive  
1/2 tasse (118 ml) de fromage parmesan râpé  
1/4 c. à thé (1,3 ml) de sel

### Instructions :

1. Déposer les ingrédients dans le récipient du mélangeur et dans l'ordre indiqué.
2. Tourner le bouton de commande de vitesse à 5 et appuyer 2 à 3 fois sur le bouton PULSE (impulsion).
3. Appuyer sur le bouton START (marche) et augmenter graduellement la vitesse jusqu'à 10, mélanger jusqu'à l'obtention d'une texture lisse, de 30 à 45 secondes.

**Donne :** 1 1/4 tasses

**CONSEIL :** Diviser le pesto traditionnel dans deux moules à glaçons, couvrir avec une pellicule plastique et congeler. Dès que le pesto est congelé et ferme, démouler les cubes de pesto et les mettre dans un sac de plastique pour congélateur refermable. Prendre la quantité de cubes de pesto nécessaire dans le sac. Pour une portion individuelle, décongeler un cube de pesto et l'incorporer à des pâtes chaudes, garnir un sandwich ou un roulé. Visiter la rubrique du basilic (Basil) sur notre blogue « Everyday Good Thinking » pour obtenir de précieux conseils sur l'utilisation du basilic.

# Recettes (suite)

## Vinaigrette César crémeuse

### Ingrédients :

- 3 anchois
- 1 gousse d'ail
- 2 c. à table (30 ml) de jus de citron
- 1 c. à thé (5 ml) de moutarde Dijon
- 1 c. à thé (5 ml) de sauce Worcestershire
- 1/2 c. à thé (2,5 ml) de poivre noir concassé
- 1/2 tasse (118 ml) de mayonnaise
- 1/2 tasse (118 ml) de fromage parmesan râpé
- 1/3 de tasse (79 ml) d'huile d'olive

### Instructions :

1. Déposer les anchois, l'ail, le jus de citron, la moutarde, la sauce Worcestershire et le poivre noir dans le récipient du mélangeur.
2. Tourner le bouton de commande de vitesse à 5 et appuyer 2 à 3 fois sur le bouton PULSE (impulsion) jusqu'à ce que le mélange soit crémeux.
3. Ajouter la mayonnaise, le fromage parmesan et l'huile dans le récipient du mélangeur. Tourner le bouton de commande de vitesse à 3 et appuyer 2 à 3 fois sur le bouton PULSE (impulsion) jusqu'à ce que le mélange soit lisse.
4. Réfrigérer.

**Donne :** 1 1/4 tasse

**CONSEIL :** Ajouter 1 c. à table (15 ml) d'eau à la fois pour obtenir une vinaigrette moins épaisse ou selon la consistance désirée.

## Frappé aux trois petits fruits

### Ingrédients :

- 1/2 tasse (118 ml) de jus de canneberge et framboise
- 4 oz (113 g) de fraises fraîches, équeutées et coupées en quartier (3/4 tasse [177 ml])
- 3 oz (85 g) de framboises fraîches (2/3 tasse [158 ml])
- 2 oz (57 g) de bleuets frais (1/3 tasse [79 ml])
- 1 banane petite, pelée et coupée en gros morceaux
- 1/2 tasse (118 ml) de yogourt à la vanille
- 6 cubes de glace

### Instructions :

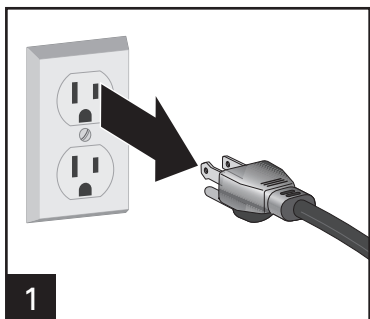
1. Déposer les ingrédients dans le récipient du mélangeur et dans l'ordre indiqué.
2. Tourner le bouton de commande de vitesse à 5 et appuyer 2 à 3 fois sur le bouton PULSE (impulsion).
3. Appuyer sur le bouton START (marche) et augmenter graduellement la vitesse jusqu'à 10, mélanger jusqu'à l'obtention d'une texture lisse, de 30 à 45 secondes.

**Servir :** 1 à 2

**CONSEIL :** Essayer différentes combinaisons de petits fruits frais et de jus pour obtenir d'autres saveurs de frappes aux fruits.

# Nettoyage du mélangeur

**⚠ AVERTISSEMENT** Risque de choc électrique.  
Débrancher le courant avant de nettoyer. N'immerger jamais le cordon, la fiche, la base ou le moteur dans l'eau ou tout autre liquide.



**1**  
Débrancher.



**2**

Après avoir effectué le mélange, ajouter 1 tasse (237 ml) d'eau chaude et 1 goutte de détergent pour lave-vaisselle liquide dans le récipient. Mélanger en utilisant le cycle CLEAN (nettoyage). Rincer et sécher immédiatement. Pour faire un nettoyage efficace, saupoudrer 2 c. à table (30 ml) de bicarbonate de soude dans le mélangeur. Ajouter 1/2 tasse (118 ml) de vinaigre blanc. Le mélange produira des bulles. Pendant que le mélange produit des bulles, ajouter 1 tasse (237 ml) d'eau et mélanger en utilisant le cycle CLEAN (nettoyage). Laver tous les résidus avec du détergent à vaisselle et de l'eau. Rincer et sécher.



**3**  
Retirer l'enceinte antibruit de l'assemblage du récipient du mélangeur.

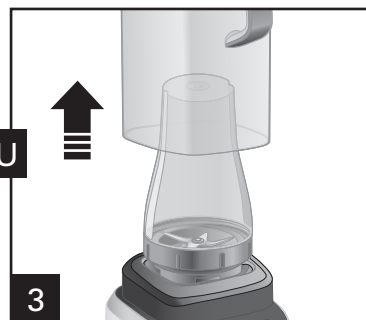


**4**  
Soulever et retirer l'assemblage du récipient du mélangeur.

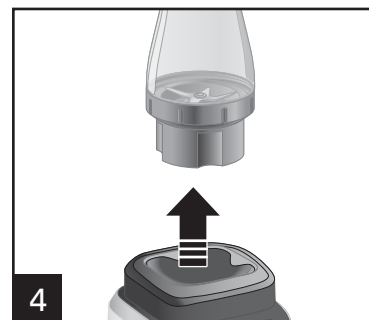


**5**  
Retirer le couvercle.

OU

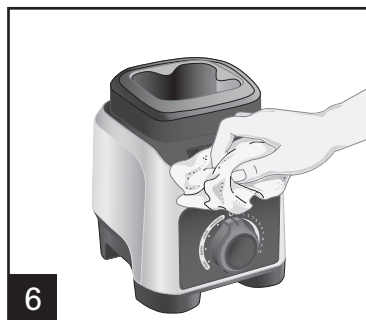
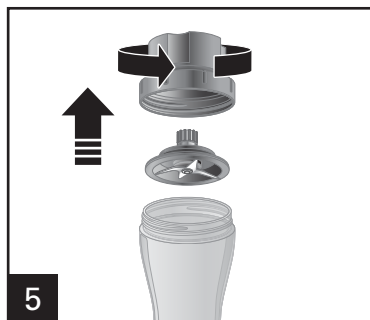


**3**  
Retirer l'enceinte antibruit de l'assemblage du récipient pour portion individuelle du mélangeur.

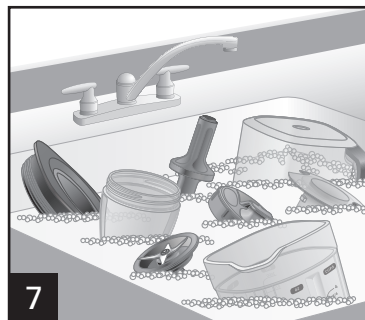


**4**

# Nettoyage du mélangeur (suite)



5  
Essuyer la base du mélangeur, le panneau de commande et le cordon avec un linge humide ou une éponge. Pour enlever les taches rebelles, utiliser un nettoyant doux et non abrasif.



7  
Laver toutes les pièces amovibles dans de l'eau chaude savonneuse. Rincer et sécher pour conserver l'apparence. Soyez prudent lors de la manipulation l'assemblage des lames, car ces dernières sont très coupantes.



**LAVABLES AU  
LAVE-VAISSELLE**

NE PAS utiliser le réglage "SANI" du lave-vaisselle. Les températures du cycle "SANI" peuvent endommager le produit.

# Dépannage

| PROBLÈME                                                                                 | CAUSE POSSIBLE/SOLUTION                                                                                                                                                                                                                                                                                                                                                                                                                                                                                                                                                                                                                                                                        |
|------------------------------------------------------------------------------------------|------------------------------------------------------------------------------------------------------------------------------------------------------------------------------------------------------------------------------------------------------------------------------------------------------------------------------------------------------------------------------------------------------------------------------------------------------------------------------------------------------------------------------------------------------------------------------------------------------------------------------------------------------------------------------------------------|
| Le mélangeur ne démarre pas.                                                             | <ul style="list-style-type: none"><li>• S'assurer que le bouton de commande n'est pas à la position <b>○</b> (ARRÊT).</li><li>• Vérifier si l'appareil est branché correctement dans une prise électrique de la tension et de la fréquence adéquates.</li><li>• Vérifier si le fusible de l'appareil électrique est grillé ou si le disjoncteur de circuit s'est déclenché.</li></ul>                                                                                                                                                                                                                                                                                                          |
| L'appareil ne répond pas aux commandes de bouton.                                        | <ul style="list-style-type: none"><li>• Couper l'alimentation, puis remettre-la à l'aide du cadran de sélection afin de réinitialiser les commandes.</li><li>• Si l'appareil ne répond pas, appeler le centre de service à la clientèle au 1 800 851-8900 aux É.-U. ou au 1 800 267-2826 au Canada.</li></ul>                                                                                                                                                                                                                                                                                                                                                                                  |
| Le mélangeur dégage une odeur de fumée.                                                  | <ul style="list-style-type: none"><li>• Éteindre (<b>○</b>) le mélangeur et laisser-le refroidir.</li><li>• Bien que les moteurs soient testés pendant le processus de fabrication, un usage intensif pourrait entraîner une cuisson des enroulements du moteur. L'odeur peut disparaître rapidement après quelques usages intensifs.</li><li>• Si l'odeur persiste après plusieurs autres utilisations intenses, appeler le centre de service à la clientèle au 1 800 851-8900 aux É.-U. ou au 1 800 267-2826 au Canada.</li></ul>                                                                                                                                                            |
| Il y a de la graisse autour de la base du récipient de mélangeur ou sur le comptoir.     | <ul style="list-style-type: none"><li>• Surveiller le problème et la source. Il pourrait s'agir d'un problème avec les paliers du récipient.</li><li>• Si le problème persiste, appeler le centre de service à la clientèle au 1 800 851-8900 aux É.-U. ou au 1 800 267-2826 au Canada.</li></ul>                                                                                                                                                                                                                                                                                                                                                                                              |
| Le récipient de mélangeur a un aspect trouble ou est taché. Comment puis-je le nettoyer? | <ul style="list-style-type: none"><li>• Un aspect légèrement trouble peut être normal après utilisation. Les minéraux provenant des fruits, des produits et des légumes-feuilles, en plus des huiles des différents beurres de noix peuvent parfois causer une pellicule sur le récipient.</li><li>• Saupoudrer 2 c. à table (30 ml) de bicarbonate de soude dans le mélangeur. Ajouter 1/2 tasse (118 ml) de vinaigre blanc. Le mélange fera des bulles. Pendant que le mélange produit des bulles, ajouter 1 tasse (237 ml) d'eau et mélanger en utilisant le programme de CLEAN (nettoyage). Laver tout résidu restant avec de l'eau et du savon. Rincer et sécher soigneusement.</li></ul> |

# Hamilton Beach garantie limitée de 5 ans

Cette garantie s'applique aux produits achetés et utilisés aux É.-U. et au Canada. C'est la seule garantie expresse pour ce produit et est en lieu et place de tout autre garantie ou condition.

Ce produit est garanti contre tout défaut de matériaux et de main-d'oeuvre pour une période de cinq (5) ans à compter de la date d'achat d'origine. Au cours de cette période, votre seul recours est la réparation ou le remplacement de ce produit ou tout composant s'avérant défectueux, à notre gré, mais vous êtes responsable de tous les coûts liés à l'expédition du produit et le retour d'un produit ou d'un composant dans le cadre de cette garantie. Si le produit ou un composant n'est plus offert, nous le remplacerons par un produit similaire de valeur égale ou supérieure.

Cette garantie ne couvre pas le verre, les filtres, l'usure d'un usage normal, l'utilisation non conforme aux directives imprimées, ou des dommages au produit résultant d'un accident, modification, utilisation abusive ou incorrecte. Cette garantie s'applique seulement à l'acheteur original ou à la personne l'ayant reçu en cadeau. La présentation du reçu de vente d'origine comme preuve d'achat est nécessaire pour faire une réclamation au titre de cette garantie. Cette garantie s'annule si le produit est utilisé autrement que par une famille ou si l'appareil est soumis à toute tension ou forme d'onde différente des caractéristiques nominales précisées sur l'étiquette (par ex. : 120 V ~ 60 Hz).

Nous excluons toutes les réclamations au titre de cette garantie pour les dommages spéciaux, consécutifs et indirects causés par la violation de garantie expresse ou implicite. Toute responsabilité est limitée au prix d'achat. **Chaque garantie implicite, y compris toute garantie ou condition de qualité marchande ou d'adéquation à un usage particulier, est exonérée, sauf dans la mesure interdite par la loi, auquel cas la garantie ou condition est limitée à la durée de cette garantie écrite.** Cette garantie vous donne des droits légaux précis. Vous pouvez avoir d'autres droits qui varient selon l'endroit où vous habitez. Certaines provinces ne permettent pas les limitations sur les garanties implicites ou les dommages spéciaux ou indirects de telle sorte que les limitations ci-dessus ne s'appliquent peut-être pas à votre cas.

Ne pas retourner cet appareil au magasin lors d'une réclamation au titre de cette garantie. Téléphoner au 1.800.851.8900 aux É.-U. ou au 1.800.267.2826 au Canada ou visiter le site internet [www.hamiltonbeach.com](http://www.hamiltonbeach.com) aux É.-U. ou [www.hamiltonbeach.ca](http://www.hamiltonbeach.ca) au Canada. Pour un service plus rapide, trouvez le numéro de modèle, le type d'appareil et les numéros de série sur votre appareil.



Hamilton Beach Brands, Inc.  
4421 Waterfront Drive  
Glen Allen  
Virginia 23060  
USA

# SALVAGUARDIAS IMPORTANTES

Cuando utilice artefactos eléctricos, siempre deben seguirse precauciones de seguridad básicas a fin de reducir el riesgo de incendio, descarga eléctrica, y/o lesiones a personas, incluyendo las siguiente

1. Lea todas las instrucciones.
2. Este aparato no se destina para utilizarse por personas (incluyendo niños) cuyas capacidades físicas, sensoriales o mentales sean diferentes o estén reducidas, o carezcan de experiencia o conocimiento, a menos que dichas personas reciban una supervisión o capacitación para el funcionamiento del aparato por una persona responsable de su seguridad.
3. Se requiere de una estrecha supervisión cuando el aparato se use cerca de niños. Los niños deben supervisarse para asegurar que ellos no empleen los aparatos como juguete.
4. Verifique que el voltaje de su instalación corresponda con el del producto.
5. Para protegerse contra un riesgo de descarga eléctrica, no ponga el cable, enchufe, base o motor en agua o cualquier otro líquido.
6. Desconecte el cable de la toma cuando no esté en uso, antes de poner o quitar partes y antes de limpiar.
7. Evite el contacto con partes móviles.
8. No opere ningún aparato con cables o enchufe dañados o después de que el aparato funcione mal o se caiga o dañe de cualquier manera. El reemplazo del cable de suministro y las reparaciones deben ser efectuadas por el fabricante, su agente de servicio, o personas igualmente calificadas para poder evitar un peligro. Llame al número de servicio al cliente proporcionado para información sobre examinación, reparación o ajuste.
9. El uso de aditamentos, incluyendo latas, no recomendados o vendidos por el fabricante del aparato pueden causar un riesgo de lesiones personales.
10. No lo use en exteriores.
11. No deje que el cable cuelgue del borde de la mesa o cubierta, o toque superficies calientes, incluyendo la estufa.
12. No coloque sobre o cerca de una cocina caliente eléctrica o a gas o dentro de un horno caliente.
13. Mantenga las manos y utensilios alejados de la jarra y de la cuchilla de corte, mientras licue o corte alimentos, a fin de reducir el riesgo de lesiones personales graves y/o daños a la licuadora o accesorios disponibles (la licuadora puede no incluir los accesorios). Se puede usar una espátula de hule pero sólo debe ser usada cuando no esté funcionando la licuadora.
14. Las cuchillas están afiladas; manéjelas con cuidado especialmente cuando ensamble, desensamble o limpie dentro de la jarra de la licuadora.
15. Para reducir el riesgo de lesión, nunca coloque el conjunto de cuchilla de corte sobre la base sin que la jarra para licuadora esté adecuadamente adherida.
16. No use una jarra para licuadora rota, estrellada o rajada.
17. No use un conjunto de cuchilla de corte roto, rajado o flojo.
18. Siempre utilice la licuadora con la tapa y el montaje del tapón de emulsión en su lugar. Quite el montaje del tapón de emulsión sólo para agregar ingredientes o para introducir el apisonador.
19. Al licuar líquidos o ingredientes calientes, quite el montaje del tapón de emulsión central de la tapa. Tenga cuidado: el rocío o el exceso de vapor pueden provocar quemaduras. No supere el nivel de 2 tazas (473 ml). Siempre comience a procesar en la velocidad más baja. Mantenga las manos y demás piel expuesta lejos de la abertura de la tapa para evitar posibles quemaduras.
20. Verifique que el montaje de corte esté bien colocado y firme en la jarra. Pueden ocurrir lesiones si las cuchillas móviles accidentalmente quedan expuestas.
21. Si la jarra se tuerce o gira cuando el motor se enciende, apáguelo (●) inmediatamente y apriete la jarra en el collar o en la base de la licuadora.



22. No deje sin atención la licuadora mientras esté funcionando.
23. Antes de enchufar el cable en el tomacorriente, gire el control a  (apagado). Para desconectar el cable, ponga el control en  (apagado). Luego remueva el enchufe de la toma de la pared.

24. No use el aparato para otro propósito que no sea para el que fue hecho.

## ¡GUARDE ESTAS INSTRUCCIONES

### Otra Información de Seguridad para el Cliente

**Este aparato ha sido diseñado solamente para uso doméstico. Sólo úselo para alimentos o líquidos.**

**⚠ ADVERTENCIA Peligro de Descarga Eléctrica:** Este aparato es provisto con un enchufe con conexión a tierra (3 clavijas) para reducir el riesgo de una descarga eléctrica. El enchufe calza únicamente en una dirección dentro de un tomacorriente con conexión a tierra. No elimine el propósito de seguridad del enchufe modificando el enchufe de ninguna manera o usando un adaptador. Si el enchufe no entra en la toma, haga que un electricista reemplace la toma.

La longitud del cable usado para este aparato fue seleccionado para reducir los riesgos de enredarse o tropezarse con un cable más largo. Si se necesita un cable más largo se puede usar una extensión aprobada. La clasificación eléctrica de la cable extensión debe ser igual o mayor que la clasificación del aparato. El cable de extensión debe ser del tipo de conexión a tierra con 3 cables.

### **Información sobre Watt/Energía Pico**

La clasificación del wattaje/amperaje de la licuadora se determina por una prueba de Laboratorio del Suscriptor y está basada en las combinaciones de conjunto de cuchilla de corte, jarra, y accesorios disponibles que pueden no proporcionarse con su unidad, pero están disponibles como partes de reemplazo. Esta es una medida de entrada de watt/amperes después de 30 segundos de operación. La licuadora como se provee puede tomar significativamente menos energía.

Es importante tener cuidado de colocar el cable de extensión para que no se pliegue sobre el mostrador o la mesera en donde niños puedan tirar del mismo o tropezarse accidentalmente.

Si el conjunto de cuchilla de corte se atora y no se mueve, dañará el motor. No la use. Llame al centro de atención al cliente para obtener información.

No coloque la jarra de la licuadora en el congelador lleno de comida o líquido. Esto puede resultar en un daño del conjunto de cuchilla de corte, jarra, licuadora y resulte posiblemente en lesiones personales.

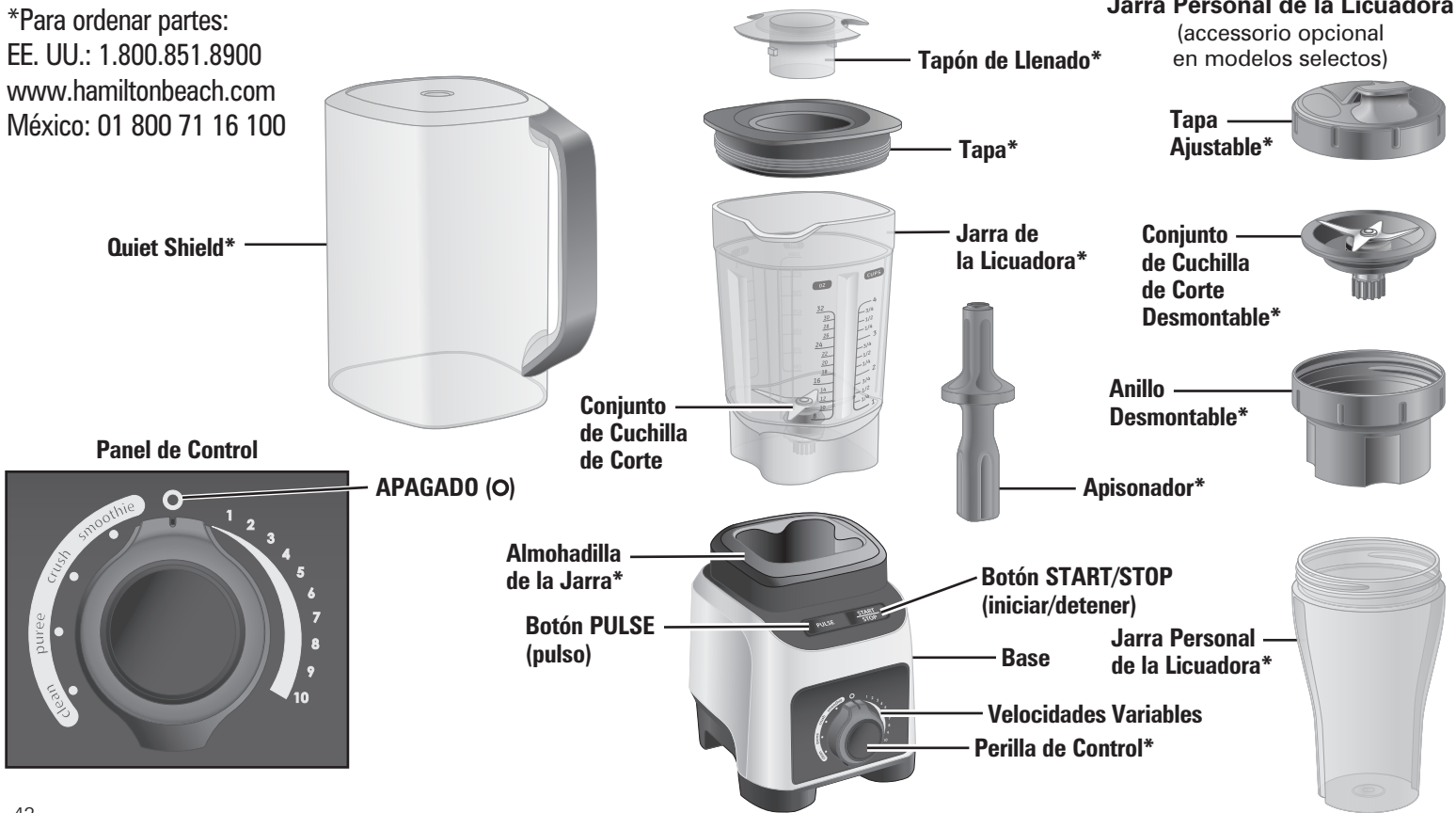
**NOTA: Esta máquina está equipada con una protección de sobrecarga del motor. Si el motor se detiene durante el funcionamiento debido al sobrecalentamiento, desenchufe la unidad y déjela enfriar durante aproximadamente 15 minutos. Vuelva a enchufar la máquina para reanudar el funcionamiento normal.**

La energía pico es la medida del wattaje del motor durante los primeros segundos de operación. Esto es cuando la licuadora requiere la mayor energía para cortar hielo, fruta congelada, etc. Esta es una mejor medición de lo que un motor de licuadora puede consumir cuando más se requiere energía.

# Partes y Características

\*Para ordenar partes:  
 EE. UU.: 1.800.851.8900  
 www.hamiltonbeach.com  
 México: 01 800 71 16 100

**ANTES DEL PRIMER USO:** Después de desempacar la licuadora, siga las instrucciones de "Cómo Limpiar su Licuadora".



# Partes y Características (cont.)

**Protección silenciosa:** La protección silenciosa reduce la cantidad de ruido proveniente de su licuadora. Cuando se la coloca sobre la jarra de la licuadora o sobre la jarra personal, ésta reduce el sonido que produce su licuadora.

**Tapón de Llenado:** La tapa es fácil de colocar, quitar y limpiar. Siempre utilice la tapa y el tapón de llenado cuando la máquina esté en funcionamiento.

**Tapa:** La tapa es fácil de colocar, quitar y limpiar. Siempre utilice la tapa y el tapón de llenado cuando la máquina esté en funcionamiento.

**Apisonador:** El apisonador bate mezclas espesas o congeladas que no pueden procesarse con una batidora normal. Evita la formación de bolsillos de aire y resulta una herramienta muy útil para preparar mantequillas de mani.

**Jarra de la Licuadora:** La jarra durable se encuentra claramente señalada con onzas, tazas y mililitros.

**Jarra Personal de la Licuadora:** La jarra personal de la licuadora facilita la preparación de bebidas mientras no está en su casa.

**Tapa Ajustable:** Cuando finalice el licuado en su jarra personal de la licuadora, quite el anillo y el conjunto de cuchilla de corte y agregue la tapa ajustable.

**Conjunto de Cuchilla de Corte:** El conjunto de cuchilla de corte se encuentra instalado en forma permanente en la jarra de la licuadora.

**Almohadilla de la jarra:** Simplemente levante para quitar la almohadilla de goma y así lograr una limpieza sencilla.

**Botones de control:** La unidad cuenta con dos botones ubicados en la parte superior de la base. Utilice START/STOP (iniciar/detener) con cualquier configuración. Utilice PULSE (pulso) con cualquier velocidad variable.

**Perilla de control:** Gire el botón para encender la licuadora en OFF (●) y para seleccionar el modo de licuado deseado: VARIABLE SPEEDS (velocidades variables), SMOOTHIE, CRUSH (picar), PUREE (puré) y CLEAN (limpiar).

**Velocidades variables:** Seleccione cualquier velocidad para licuar y PULSE (pulso) girando la perilla de control de 1 a 10.

**Base:** Contiene el motor. NO SUMERJA LA BASE EN AGUA.

**Dispositivo de protección del motor:** La licuadora profesional Hamilton Beach se encuentra equipada con una protección de sobrecalentamiento del motor. Si el motor se detiene durante el funcionamiento debido al sobrecalentamiento, desenchufe la unidad y déjela enfriar durante 15 minutos. Vuelva a enchufar la licuadora para reanudar el funcionamiento normal.

**Cómo preparar su licuadora:** Después de desempacar la licuadora, lave todas las piezas, con excepción de la base, en agua caliente jabonosa. Seque bien. Limpie la base de la licuadora con un paño o esponja húmedos. NO SUMERJA LA BASE EN AGUA. Debe tener cuidado al manipular el conjunto de cuchilla de corte porque son muy filosas. Consulte las recomendaciones de cuidados de la página 55.

**IMPORTANTE:** La jarra de la licuadora y el conjunto de cuchilla de corte sufren desgaste durante el uso normal. Siempre inspeccione la jarra en busca de golpes, mellas o roturas. Siempre inspeccione el conjunto de cuchilla de corte en busca de hojas rotas, quebradas o flojas. Si la jarra o el conjunto de cuchilla de corte están dañadas, no las use. Llame a nuestro centro de atención al cliente para obtener piezas de repuesto.

**Seleccione las Configuraciones de la Licuadora:** Seleccione de cuatro ajustes de programa o usar el control de velocidad preciso para velocidades variables.

## ⚠ ADVERTENCIA



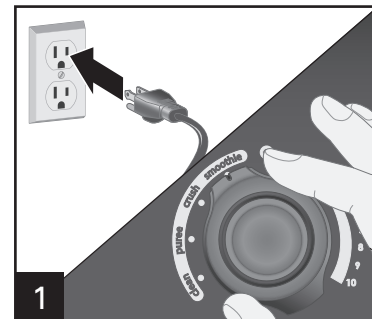
**Peligro de quemaduras.** Las piezas de metal ubicadas debajo de la jarra de licuado se calientan después del uso. No las toque.

# Cómo Utilizar las Configuraciones de Programa

Los programas se optimizan respecto de las categorías de recetas y se modifican en cuanto a la velocidad y duración del licuado. La licuadora se detiene automáticamente al finalizar el programa. Algunas recetas pueden requerir más o menos tiempo de mezcla.

## Programas:

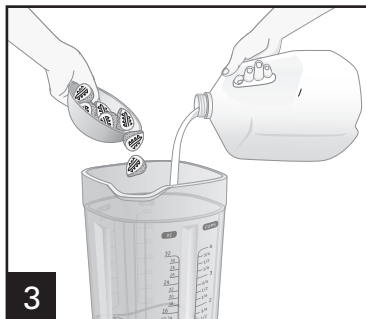
- **SMOOTHIE** – Licua smoothies congelados o frescos. La licuadora utiliza el pulso cinco veces al comienzo para picar el hielo o los ingredientes congelados y luego acelera para funcionar en velocidad alta 10 por 60 segundos.
- **CRUSH (picar)** – Tritura hielo en trozos pequeños para utilizar en slushies o en coctelería fina. La licuadora utiliza el pulso continuamente desde velocidad 1 a 5 durante 1 minuto.
- **PUREE (puré)** – Le da una consistencia suave y cremosa al puré de frutas y verduras y una textura fina cuando se muelen granos y se prepara azúcar en polvo. La licuadora acelera lentamente desde velocidad 1 a 10 durante 1 minuto 15 segundos.
- **CLEAN (limpiar)** – Agregue 2 tazas de agua tibia y 2 gotas de detergente para vajillas a la jarra de la licuadora antes de iniciar el programa para una limpieza sencilla. La tapa de llenado debe mantenerse en la tapa. La licuadora funciona por 1 minuto. Enjuague y seque.



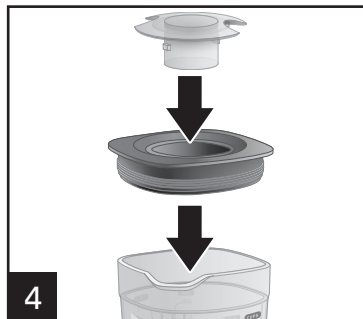
Gire la perilla de control de **○** (apagado) a uno de los siguientes programas: SMOOTHIE, CRUSH (picar), PUREE (puré), o CLEAN (limpiar).



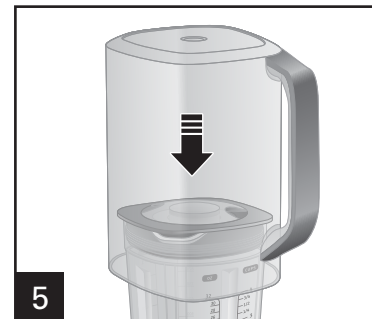
Coloque la jarra de la licuadora sobre la base.



Abra la tapa y llene. Agregue los ingredientes.



Coloque la tapa sobre la jarra.



Coloque la protección silenciosa sobre el montaje de la jarra.

# Cómo Utilizar las Configuraciones de Programa (cont.)



6 Presione START/STOP (iniciar/detener).



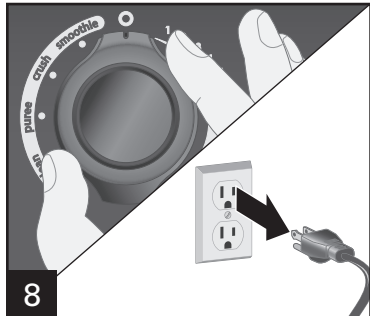
PARA LÍQUIDOS CALIENTES


## ⚠ ADVERTENCIA

**Peligro de Quemaduras.** Cuando licue líquidos calientes, no utilice la protección silenciosa y quite el tapón de llenado de la tapa de dos piezas. Para prevenir posibles quemaduras: No llene la jarra de la licuadora más allá del nivel de 2 tazas (473 ml). Con la protección de guantes de cocina o una toalla gruesa, coloque una mano encima de la tapa. Mantenga la piel expuesta lejos de la tapa. Comience a licuar a una velocidad baja.



7 La licuadora se detendrá en forma automática al finalizar el programa. Para detener la licuadora en cualquier momento durante el programa, presione START/STOP (iniciar/detener). Si se reactiva presionando de nuevo START/STOP (iniciar/detener), el programa comenzará al comienzo.



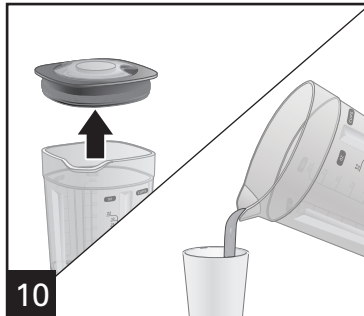
8 Gire la perilla de control a  (apagado). Desenchufe.



9 Quite la protección silenciosa del conjunto de la jarra de la licuadora. Quite la tapa.

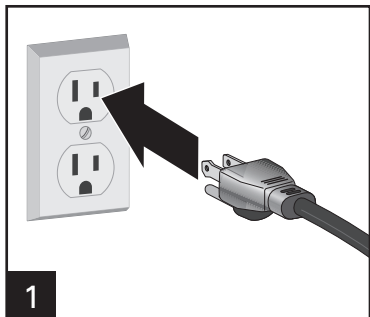
## ⚠ ADVERTENCIA Peligro de Quemaduras:

Las piezas de metal ubicadas debajo de la jarra de licuado se calientan después del uso. No las toque.



10

# Cómo Utilizar la Velocidad Variable



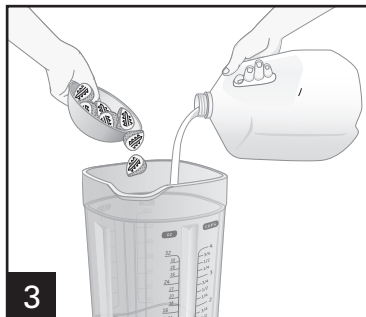
1

Enchufe la licuadora.



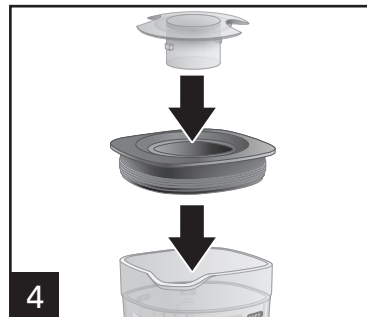
2

Coloque la jarra de la licuadora sobre la base.



3

Abra la tapa y llene. Agregue los ingredientes.



4

Coloque la tapa sobre la jarra.



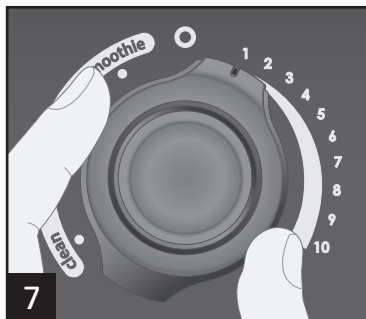
5

Coloque la protección silenciosa sobre el montaje de la jarra.



6

Presione START/STOP (iniciar/detener).



7

Gire la perilla de control en sentido de las agujas del reloj. Siempre comience a velocidad 1 y ajuste a una velocidad mayor después de activar la licuadora.

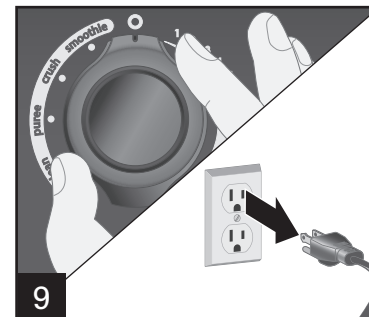
# Cómo Utilizar la Velocidad Variable (cont.)



**⚠ ADVERTENCIA**  
**Peligro de Quemaduras.** Cuando licue líquidos calientes, no utilice la protección silenciosa y quite el tapón de llenado de la tapa de dos piezas. Para prevenir posibles quemaduras: No llene la jarra de la licuadora más allá del nivel de 2 tazas (473 ml). Con la protección de guantes de cocina o una toalla gruesa, coloque una mano encima de la tapa. Mantenga la piel expuesta lejos de la tapa. Comience a licuar a una velocidad baja.



Presione START/STOP (iniciar/detener).



Gire la perilla de control a  (apagado). Desenchufe.



Quite la protección silenciosa del conjunto de la jarra de la licuadora.



Quite la protección silenciosa del conjunto de la jarra de la licuadora. Quite la tapa.

**⚠ ADVERTENCIA Peligro de Quemaduras:**

Las piezas de metal ubicadas debajo de la jarra de licuado se calientan después del uso. No las toque.

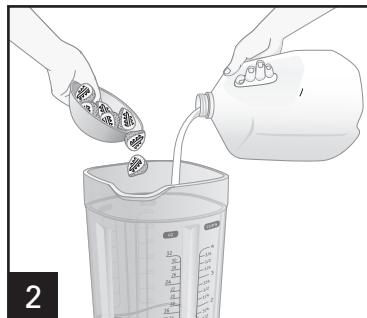


# Cómo Usar la Configuración de Pulso

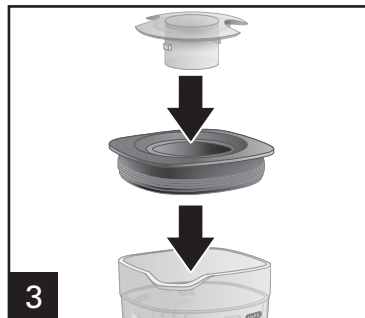
La función PULSE (pulso) puede utilizarse con las velocidades variables para controlar la acción de picado o para mejorar el mezclado de los ingredientes.



**1** Coloque la jarra de la licuadora sobre la base.



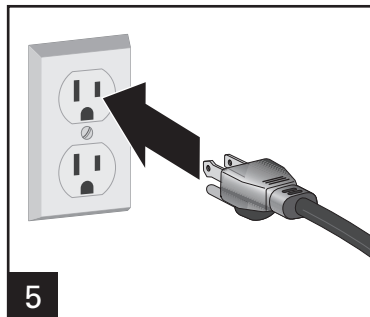
**2** Abra la tapa y llene. Agregue los ingredientes.



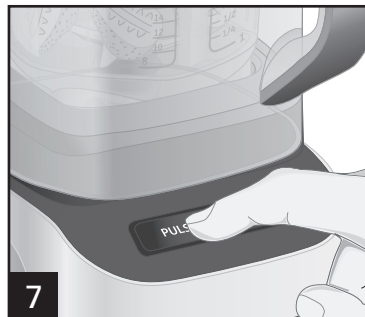
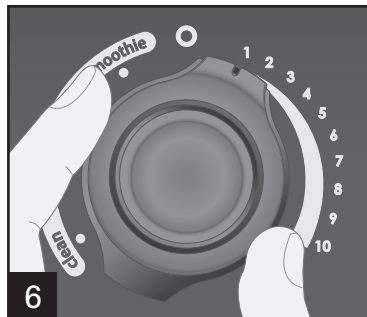
**3** Coloque la tapa sobre la jarra.



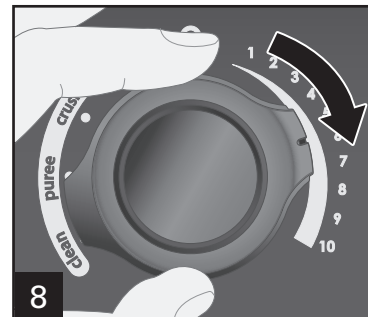
**4** Coloque la protección silenciosa sobre el montaje de la jarra.



**5** Enchufe la licuadora. Gire la perilla de control en sentido de las agujas del reloj para seleccionar la velocidad pulse (pulso). Siempre comience a velocidad 1 y ajuste a una velocidad mayor después de activar pulse (pulso).



**7** Presione el botón PULSE (pulso). Aumente la velocidad de PULSE (pulso) girando la perilla de control en sentido de las agujas del reloj. Para aumentar la velocidad al mismo tiempo que se utiliza pulso, presione y sostenga el botón PULSE (pulso).





# Cómo Usar la Configuración de Pulso (cont.)



9

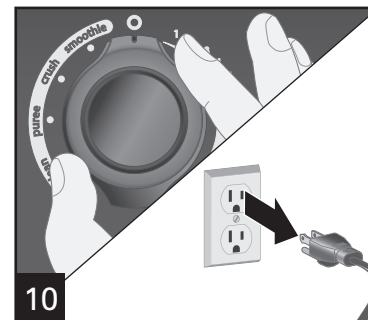
Sostenga el botón PULSE (pulso) por el tiempo deseado.



PARA LÍQUIDOS CALIENTES

## **⚠ ADVERTENCIA**

**Peligro de Quemaduras.** Cuando licue líquidos calientes, no utilice la protección silenciosa y quite el tapón de llenado de la tapa de dos piezas. Para prevenir posibles quemaduras: No llene la jarra de la licuadora más allá del nivel de 2 tazas (473 ml). Con la protección de guantes de cocina o una toalla gruesa, coloque una mano encima de la tapa. Mantenga la piel expuesta lejos de la tapa. Comience a licuar a una velocidad baja.



10

Gire la perilla de control a **○** (apagado). Desenchufe.



11

Quite la protección silenciosa del conjunto de la jarra de la licuadora.



12

Quite la protección silenciosa del conjunto de la jarra de la licuadora. Quite la tapa.

## **⚠ ADVERTENCIA Peligro de Quemaduras:**

Las piezas de metal ubicadas debajo de la jarra de licuado se calientan después del uso. No las toque.



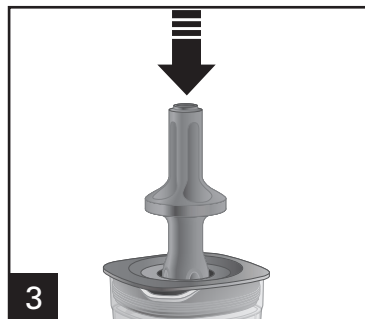
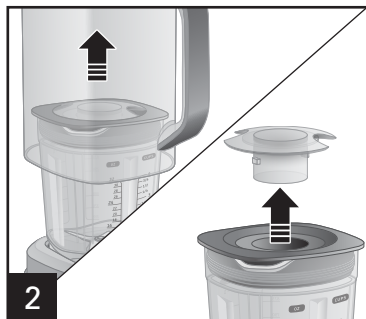
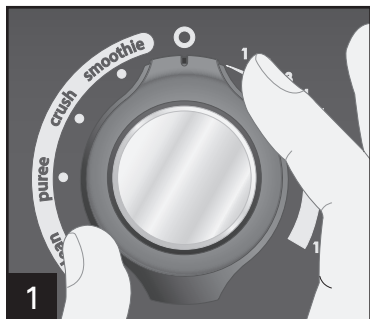
13



14

# Cómo utilizar el apisonador

El apisonador es una herramienta opcional que ayuda a licuar mezclas muy espesas y/o congeladas. Utilice el apisonador para quitar burbujas de aire atrapadas si la mezcla deja de circular o para desplazar ingredientes de las esquinas de la jarra en sentido de las cuchillas. SÓLO utilice el apisonador con la tapa de la jarra en su lugar.



Gire la perilla de control a **O** (apagado) antes de usar el apisonador. Quite la protección silenciosa del conjunto de la jarra de la licuadora. Quite la tapa de llenado. Introduzca el apisonador dentro del orificio de la tapa. Coloque una mano sobre la tapa y use el apisonador para revolver las mezclas espesas dentro de la jarra de la licuadora. Dirija el apisonador hacia los lados o esquinas del recipiente. No trate de forzar el apisonador hacia más adentro del recipiente y más cerca de las cuchillas.

## Consejos para el Apisonador:

- La jarra de la licuadora no debe estar llena en más de dos tercios de su capacidad cuando se utiliza el apisonador.
- No utilice el apisonador con líquidos calientes.

## Consejos para Evitar el Sobrecalentamiento:

- No procese alimentos a velocidades mayores o menores a las recomendadas.
- No procese alimentos por más tiempo del recomendado.
- Utilice el apisonador para procesar mezclas espesas y para desplazar los ingredientes por el recipiente y para que pasen a través de las cuchillas.

## Consejos para la Licuadora:

- Para agregar alimentos mientras la licuadora está en funcionamiento, quite el tapón de llenado y agregue los ingredientes a través de la abertura.
- Para un mejor desempeño, la cantidad mínima de líquido necesaria por receta es una taza (8 onzas/237 ml). Agregue más líquido si los alimentos no se están licuando en forma satisfactoria.
- Si el funcionamiento se detiene durante el licuado o los ingredientes se pegan a los lados de la jarra, introduzca el apisonador para ayudar a desplazar la mezcla o para agregar más líquido a la jarra de la licuadora.
- No almacene alimentos o líquidos en la jarra de la licuadora.
- No golpee o deje caer la licuadora cuando se halle en funcionamiento o en cualquier otro momento.
- Cortar frutas y vegetales en trozos puede acelerar el proceso de licuado.
- No sobrepase la marca del nivel de llenado más alta.

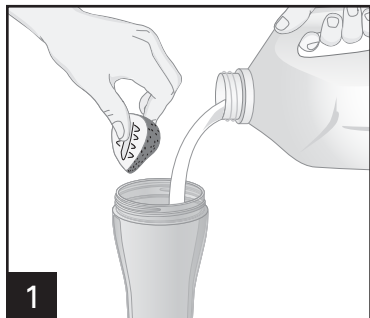
# Cómo usar la Jarra Personal de la Licuadora (accessorio opcional en modelos selectos)

## ⚠ **ADVERTENCIA** Peligro de Quemaduras.

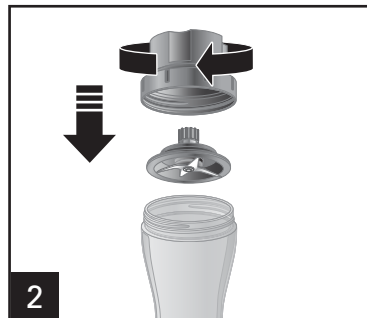
No licue ingredientes calientes. Puede acumularse presión, lo que provocaría que el vaso se destape de golpe y los ingredientes calientes salgan disparados.

## ⚠ **PRECAUCIÓN** Peligro de Cortaduras.

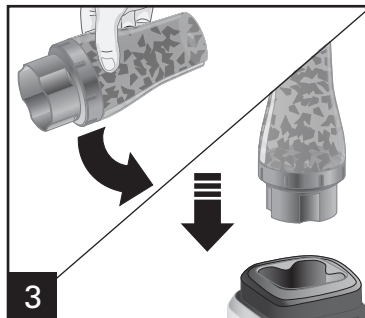
Maneje las cuchillas cuidadosamente; está muy afilada. Asegúrese de que la unidad esté apagada (O) y desenchufada.



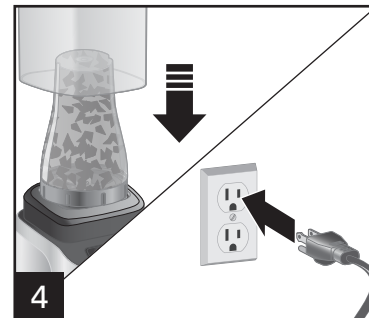
**1** Agregue los ingredientes a la jarra personal de la licuadora.



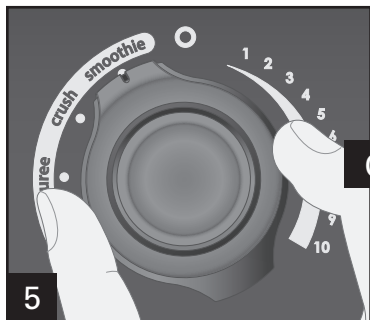
**2** Con cuidado coloque el anillo desmontable con el conjunto de cuchilla de corte dentro de la jarra.



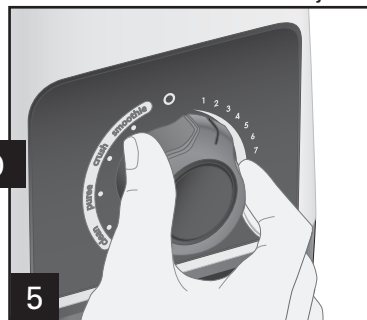
**3** Dé vuelta la jarra personal de la licuadora y colóquela en la base.



**4** Coloque la protección silenciosa sobre el montaje de la jarra. Si no utiliza la protección silenciosa, sostenga la jarra en su lugar durante el licuado. Enchufe en el tomacorriente.



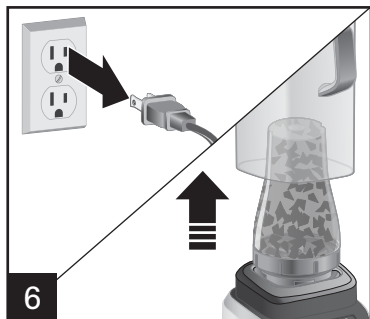
**5** Utilice una configuración de programa.



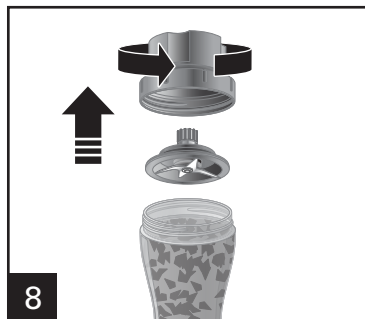
Presione START (iniciar) y lentamente gire la PERILLA DE VELOCIDAD VARIABLE hacia la derecha o izquierda durante el licuado para subir o bajar la velocidad de licuado, o presione el botón PULSE (pulso) para licuar de 15 a 30 segundos o hasta que quede homogéneo. Siempre utilice la unidad sobre un mostrador u otra superficie resistente.

# Cómo usar la Jarra Personal de la Licuadora (cont.)

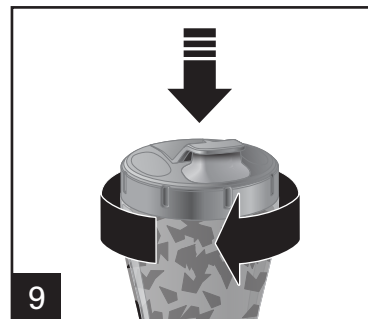
(accessorio opcional en modelos selectos)



6 Gire la perilla de control a **○** (apagado). Desenchufe. Quite la protección silenciosa del conjunto de la jarra personal de la licuadora.



8 Dé vuelta, quite el anillo y el montaje de cuchilla de corte de la jarra.



9 Hand-tighten drinking lid onto personal blender jar.

Consejos de Licuado para la Jarra personal de la licuadora de 20 oz.

- Para un mejor desempeño de la jarra personal de la licuadora de 20 oz., la cantidad mínima de líquido necesaria por receta es 3/4 taza (6 onzas/177 ml).
- No pique o procese alimentos duros tales como queso, galletas o carne.
- Si la acción de licuado se detiene o si los ingredientes se pegan a los costados de la vaso, apague (○) la licuadora. Quite el vaso, el anillo y la cuchilla y utilice una espátula de goma angosta para mezclar.

- No procese alimentos o líquidos calientes en la jarra personal de la licuadora.
- No golpee o deje caer la jarra de la licuadora.
- Si la licuadora deja de funcionar, desenchúfela y deje pasar 15 minutos antes de volver a usarla. Enchúfela en un tomacorriente para comenzar el licuado.
- Para licuar bebidas de proteínas en polvo, utilice menos de 16 oz. (473 ml) ya que los polvos de proteínas se expanden durante el licuado.

# Recetas

## Salsa Tomatillo

### Ingredientes:

- 4 tomatillos medianos, pelados y cortados en cuartos
- 1 cebolla pequeña cortada en cuartos
- 1 jalapeño pequeño cortado al medio
- 1 diente de ajo
- 1/2 cucharadita (2.5 ml) de sal
- 3 ramitas de cilantro

### Instrucciones:

1. Coloque los ingredientes en la licuadora en el orden indicado.
2. Procese en Speed 10 (velocidad 10) hasta mezclar bien.
3. Decore con cilantro adicional y sirva como una salsa o con tortilla chips.

**Rendimiento:** 6 a 8

## Margarita de Fresas

### Ingredientes:

- 3/4 taza (177 ml) de fresas picadas
- 1 cucharada (15 ml) de azúcar
- 2 cucharadas (30 ml) de jugo de lima
- 5 cucharadas (74 ml) de tequila
- 2 cucharadas (30 ml) de triple sec
- 1 taza (237 ml) de cubitos de hielo

### Instrucciones:

1. Coloque los ingredientes en la jarra de la licuadora en el orden indicado.
2. Licue en CRUSH (triturar) hasta que quede bien mezclado.
3. Frote los bordes de las copas con una cuña de lima. Colóquelas en un plato de sal kosher o azúcar. Sirva la margarita.

**Rendimiento:** 2 a 3

## Pesto Tradicional con Albahaca

### Ingredientes:

- 2 tazas (473 ml) de hojas de albahaca fresca
- 1/2 taza (118 ml) de piñones
- 2 dientes de ajo
- 1/2 taza (118 ml) de aceite de oliva
- 1/2 taza (118 ml) de queso Parmesano rallado
- 1/4 cucharadita (1.3 ml) de sal

### Instrucciones:

1. Coloque los ingredientes en la licuadora en el orden indicado.
2. Seleccione SPEED 5 (velocidad 5) y presione PULSE (pulso) 2–3 veces.
3. Presione START (iniciar) y aumente la velocidad gradualmente a SPEED 10 (velocidad 10) y licue hasta que quede suave, por 30–45 segundos.

**Rendimiento:** 1 1/4 tazas

**Consejo de cocina:** Divida la salsa de pesto tradicional con albahaca en dos cubeteras; cubra con un envoltorio plástico y congele. Cuando la salsa de pesto esté congelada, quite los cubitos de pesto y colóquelos en una bolsa plástica resellable para congelador. Quite los cubitos de pesto de la bolsa según sea necesario. Para una porción individual, descongele un cubito de pesto y mézclelo con pastas calientes o úntelo en su sándwich o burrito. Para más consejos sobre cómo utilizar la albahaca, visite nuestro blog: [Everyday Good Thinking Blog](#), [Food Focus: Basil](#).

# Recetas (cont.)

## Aderezo César Cremoso

### Ingredientes:

- 3 anchoas
- 1 diente de ajo
- 2 cucharadas (30 ml) de jugo de limón
- 1 cucharadita (5 ml) de mostaza de Dijon
- 1 cucharadita (5 ml) de salsa Worcestershire
- 1/2 cucharadita (2.5 ml) de pimienta negra molida
- 1/2 taza (118 ml) de mayonesa
- 1/2 taza (118 ml) de queso Parmesano rallado
- 1/3 taza (79 ml) de aceite de oliva

### Instrucciones:

1. Coloque las anchoas, el ajo, el jugo de limón, la mostaza, la salsa Worcestershire y la pimienta negra en la licuadora.
2. Seleccione SPEED 5 (velocidad 5) y presione PULSE (pulso) 2–3 veces hasta que la mezcla quede cremosa.
3. Agregue la mayonesa, el queso Parmesano y el aceite a la licuadora. Seleccione SPEED 3 (velocidad 3) y presione PULSE (pulso) 2–3 veces hasta que quede suave.
4. Refrigere.

**Rendimiento:** 1 1/4 tazas

**Consejo de Cocina:** Para un aderezo menos espeso, agregue agua, 1 cucharada (15 ml) por vez, hasta alcanzar la consistencia deseada.

## Smoothie de Tres Bayas

### Ingredientes:

- 1/2 taza (118 ml) de jugo de arándano-frambuesa
- 4 onzas (113 g) de fresas frescas, sin cabito y cortadas en cuartos (3/4 taza [177 ml])
- 3 onzas (85 g) de frambuesas frescas (2/3 taza [158 ml])
- 2 onzas (57 g) de arándanos frescos (1/3 taza [79 ml])
- 1 banana pequeño madura cortada en trozos grandes
- 1/2 taza (118 ml) de yogurt de vainilla
- 6 cubitos de hielo

### Instrucciones:

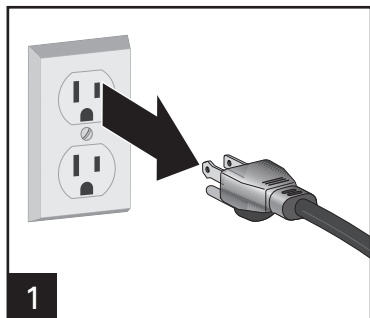
1. Coloque los ingredientes en la licuadora en el orden indicado.
2. Seleccione SPEED 5 (velocidad 5) y presione PULSE (pulso) 2–3 veces.
3. Presione START (iniciar) y aumente la velocidad gradualmente a SPEED 10 (velocidad 10) y licue hasta que quede suave, por 30–45 segundos.

**Rendimiento:** 1 a 2

**Consejo de Cocina:** Pruebe diferentes combinaciones de bayas y jugos frescos para preparar nuevos sabores de smoothies.

# Cómo Limpiar su Licuadora

**⚠ ADVERTENCIA Peligro de Descarga Eléctrica.**  
Desconecte la energía antes de limpiar. No sumerja el cable, el enchufe, base o motor en agua u otro líquido.



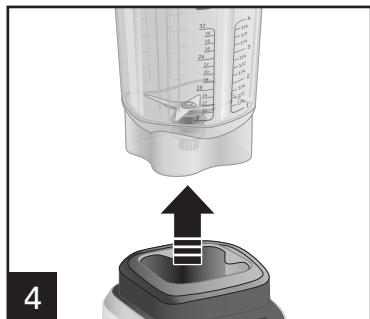
1 Desenchufe el cable.



Después de licuar, agregue 1 taza (237 ml) de agua tibia y 1 gota de líquido lavavajillas a la jarra. Licue con el programa CLEAN (lavar). Enjuague y seque de inmediato. Para lograr una limpieza más profunda, vierta 2 cucharadas (30 ml) de bicarbonato de sodio en la licuadora. Agregue 1/2 taza (118 ml) de vinagre blanco. La mezcla provocará burbujas. Cuando el burbujeo finalice, agregue 1 taza (237 ml) de agua y licue en el ciclo CLEAN (limpiar). Lave los restos que hayan quedado con detergente para vajillas y agua. Enjuague y seque.



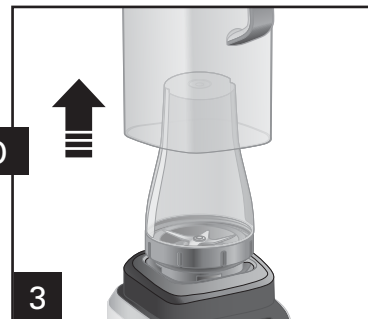
3 Quite la protección silenciosa del conjunto de la jarra de la licuadora.



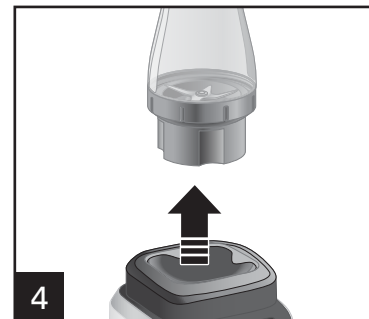
4 Quite el conjunto de la jarra de la licuadora de la base.



5 Quite la tapa.

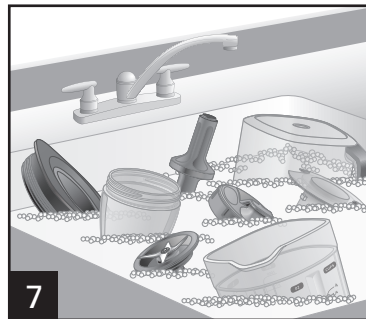
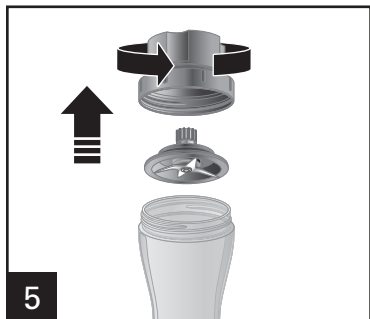


3 Quite la protección silenciosa del conjunto de la jarra personal de la licuadora.



4

# Cómo Limpiar su Licuadora (cont.)



**RESISTENTE AL  
LAVAVAJILLAS**

5  
Limpie la base de la licuadora, el panel de control y el cable con un paño húmedo o esponja. Para remover las manchas tercas, use un limpiador suave no abrasivo.

6  
7  
Lave todas las piezas removibles en agua caliente jabonosa. Enjuague y seque para mantener la apariencia. Debe tenerse cuidado al manipular el montaje de cuchillas de corte porque es muy filoso.

No utilice la configuración "SANI" cuando la lave en el lavavajillas. Las temperaturas del ciclo "SANI" pueden dañar su producto.



# Resolviendo Problemas

| PROBLEMA                                                                                     | PROBABLE CAUSA/SOLUCIÓN                                                                                                                                                                                                                                                                                                                                                                                                                                                                                                                                                                                                                      |
|----------------------------------------------------------------------------------------------|----------------------------------------------------------------------------------------------------------------------------------------------------------------------------------------------------------------------------------------------------------------------------------------------------------------------------------------------------------------------------------------------------------------------------------------------------------------------------------------------------------------------------------------------------------------------------------------------------------------------------------------------|
| La licuadora no arranca.                                                                     | <ul style="list-style-type: none"><li>• Verifique que la perilla de control no se encuentre en la posición <b>O</b> (apagado).</li><li>• Constate que la unidad esté bien enchufada en un tomacorriente eléctrico del voltaje y frecuencia adecuados.</li><li>• Verifique que el fusible para el tomacorriente eléctrico no se haya quemado o que el interruptor de circuito no haya saltado.</li></ul>                                                                                                                                                                                                                                      |
| La unidad no responde cuando se presionan los botones.                                       | <ul style="list-style-type: none"><li>• Apague la unidad vuelva a encenderla utilizando la banda externa para reconfigurar los controles.</li><li>• Si la unidad no responde, llame a nuestro centro de atención al cliente al 1.800.851.8900 en los EE.UU.</li></ul>                                                                                                                                                                                                                                                                                                                                                                        |
| La licuadora larga olor a quemado.                                                           | <ul style="list-style-type: none"><li>• Apague (<b>O</b>) la licuadora y deje que la unidad se enfríe.</li><li>• Aunque los motores se ponen a prueba durante el proceso de fabricación, un uso intenso puede provocar el curado de los bobinados del motor. El olor se disipará rápidamente después de una serie de usos intensivos.</li><li>• Si el olor continúa después de usos intensivos adicionales, llame a nuestro centro de atención al cliente al 1.800.851.8900 en los EE.UU.</li></ul>                                                                                                                                          |
| Hay grasa alrededor de la base de la jarra de la licuadora o sobre el mostrador de encimera. | <ul style="list-style-type: none"><li>• Controle el problema y la fuente. Esto puede indicar un problema con los cojinetes de la jarra.</li><li>• Llame a nuestro centro de atención al cliente al 1.800.851.8900 en los EE.UU.</li></ul>                                                                                                                                                                                                                                                                                                                                                                                                    |
| La jarra de la licuadora está turbia o manchada. ¿Cómo puedo limpiarla?                      | <ul style="list-style-type: none"><li>• La jarra puede quedar un poco turbia después del uso. Los minerales de las frutas, verduras y vegetales de hoja, además de los aceites de las mantequillas de maní, pueden generar una película sobre la jarra de la licuadora.</li><li>• Coloque 2 cucharadas (30 ml) de bicarbonato de sodio en la licuadora. Agregue 1/2 taza (118 ml) de vinagre blanco. La mezcla provocará burbujas. Cuando el burbujeo finalice, agregue 1 taza (237 ml) de agua y licue en el ciclo CLEAN (limpiar). Lave los restos que hayan quedado con detergente para vajillas y agua. Enjuague y seque bien.</li></ul> |



Grupo HB PS, S.A. de C.V.  
Monte Elbruz 124-301  
Colonia Palmitas, Delegación Miguel Hidalgo  
C.P. 11560, México, Distrito Federal  
01 800 71 16 100

## PÓLIZA DE GARANTÍA

PRODUCTO:

MARCA:

MODELO:

Grupo HB PS, S.A. de C.V. cuenta con una Red de Centros de Servicio Autorizada, por favor consulte en la lista anexa el nombre y dirección de los establecimientos en la República Mexicana en donde usted podrá hacer efectiva la garantía, obtener partes, componentes, consumibles y accesorios; así como también obtener servicio para productos fuera de garantía. Para mayor información llame sin costo: **Centro de Atención al consumidor: 01 800 71 16 100**

Grupo HB PS, S.A. de C.V. le otorga a partir de la fecha de compra:  
**GARANTÍA DE 1 AÑO.**

### COBERTURA

- Esta garantía ampara, todas las piezas y componentes del producto que resulten con defecto de fabricación incluyendo la mano de obra.
- Grupo HB PS, S.A. de C.V. se obliga a reemplazar, reparar o reponer, cualquier pieza o componente defectuoso; proporcionar la mano de obra necesaria para su diagnóstico y reparación, todo lo anterior sin costo adicional para el consumidor.
- Esta garantía incluye los gastos de transportación del producto que deriven de su cumplimiento dentro de su red de servicio.

### LIMITACIONES

- Esta garantía no ampara el reemplazo de piezas deterioradas por uso o por desgaste normal, como son: cuchillas, vasos, jarras, filtros, etc.
- Grupo HB PS, S.A. de C.V. no se hace responsable por los accidentes producidos a consecuencia de una instalación eléctrica defectuosa, ausencia de toma de tierra, clavija de enchufe en mal estado, etc.

### EXCEPCIONES

Esta garantía no será efectiva en los siguientes casos:

- a) Cuando el producto se hubiese utilizado en condiciones distintas a las normales. (Uso industrial, semi-industrial o comercial.)
- b) Cuando el producto no hubiese sido operado de acuerdo con el instructivo de uso.
- c) Cuando el producto hubiese sido alterado o reparado por personas no autorizadas por Grupo HB PS, S.A. de C.V. el fabricante nacional, importador o comercializador responsable respectivo.

El consumidor puede solicitar que se haga efectiva la garantía ante la propia casa comercial donde adquirió su producto, siempre y cuando Grupo HB PS, S.A. de C.V. no cuente con talleres de servicio.

**PROCEDIMIENTO PARA HACER EFECTIVA LA GARANTÍA**

- Para hacer efectiva la garantía no deben exigirse mayores requisitos que la presentación del producto y la póliza correspondiente, debidamente sellada por el establecimiento que lo vendió.
- Para hacer efectiva la garantía, lleve su aparato al Centro de Servicio Autorizado más cercano a su domicilio (consulte la lista anexa).
- Si no existe Centro de Servicio Autorizado en su localidad llame a nuestro Centro de Atención al Consumidor para recibir instrucciones de como hacer efectiva su garantía.
- El tiempo de reparación, en ningún caso será mayor de 30 días naturales contados a partir de la fecha de recepción del producto en nuestros Centros de Servicio Autorizados.
- En caso de que el producto haya sido reparado o sometido a mantenimiento y el mismo presente deficiencias imputables al autor de la reparación o del mantenimiento dentro de los treinta días naturales posteriores a la entrega del producto al consumidor, éste tendrá derecho a que sea reparado o mantenido de nuevo sin costo alguno. Si el plazo de la garantía es superior a los treinta días naturales, se estará a dicho plazo.
- El tiempo que duren las reparaciones efectuadas al amparo de la garantía no es computable dentro del plazo de la misma. Cuando el bien haya sido reparado se iniciará la garantía respecto de las piezas repuestas y continuará con relación al resto. En el caso de reposición del bien deberá renovarse el plazo de la garantía.

| FECHA DE ENTREGA  | SELLO DEL VENDEDOR | QUEJAS Y SUGERENCIAS                                                                                                                                                                                                                                                                                                                                                                 |
|-------------------|--------------------|--------------------------------------------------------------------------------------------------------------------------------------------------------------------------------------------------------------------------------------------------------------------------------------------------------------------------------------------------------------------------------------|
| DÍA__ MES__ AÑO__ |                    | Si desea hacer comentarios o sugerencias con respecto a nuestro servicio o tiene alguna queja derivada de la atención recibida en alguno de nuestros Centros de Servicio Autorizados, por favor dirigirse a:<br><b>GERENCIA INTERNACIONAL DE SERVICIO</b><br>01 800 71 16 100<br>Email: <a href="mailto:mexico.service@hamiltonbeach.com.mx">mexico.service@hamiltonbeach.com.mx</a> |

**RED DE CENTROS DE SERVICIO AUTORIZADA GRUPO HB PS, S.A. DE C.V.**

**Distrito Federal**

**ELECTRODOMÉSTICOS**

Av. Plutarco Elias Cailles No. 1499

Zacahuitzco MEXICO 09490 D.F.

Tel: 01 55 5235 2323 • Fax: 01 55 5243 1397

**CASA GARCIA**

Av. Patriotismo No. 875-B

Mixcoac MEXICO 03910 D.F.

Tel: 01 55 5563 8723 • Fax: 01 55 5615 1856

**Nuevo Leon**

**FERNANDO SEPULVEDA REFACCIONES**

Ruperto Martínez No. 238 Ote.

Centro MONTERREY, 64000 N.L.

Tel: 01 81 8343 6700 • Fax: 01 81 8344 0486

**Jalisco**

**SERVICIOS DE MANTENIMIENTO CASTILLO**

Garibaldi No. 1450

Ladrón de Guevara

GUADALAJARA 44660 Jal.

Tel: 01 33 3825 3480 • Fax: 01 33 3826 1914

**Chihuahua**

**DISTRIBUIDORA TURMIX**

Av. Paseo Triunfo de la Rep. No. 5289 Local 2 A.

Int. Hipermart

Alamos de San Lorenzo

CD. JUAREZ 32340 Chih.

Tel: 01 656 617 8030 • Fax: 01 656 617 8030

**Modelo:**

**58870**

**Tipo:**

**B84**

**Características Eléctricas:**

**120 V~ 60 Hz 5 A**

**Los modelos incluidos en el instructivo de Uso y Cuidado pueden ir seguidos o no por un sufijo correspondiente a una o varias letras del alfabeto y sus combinaciones, separadas o no por un espacio, coma, diagonal, o guión. Como ejemplos los sufijos pueden ser: "Y" y/o "MX" y/o "MXY" y/o "Z".**



Hamilton Beach Brands, Inc. • 4421 Waterfront Drive • Glen Allen, VA 23060  
[www.hamiltonbeach.com](http://www.hamiltonbeach.com) • 1.800.851.8900

840267700 02/2016