

ThinkStation P Series

Drive Upgrade Matrix



July 2023



+ Optional Bays

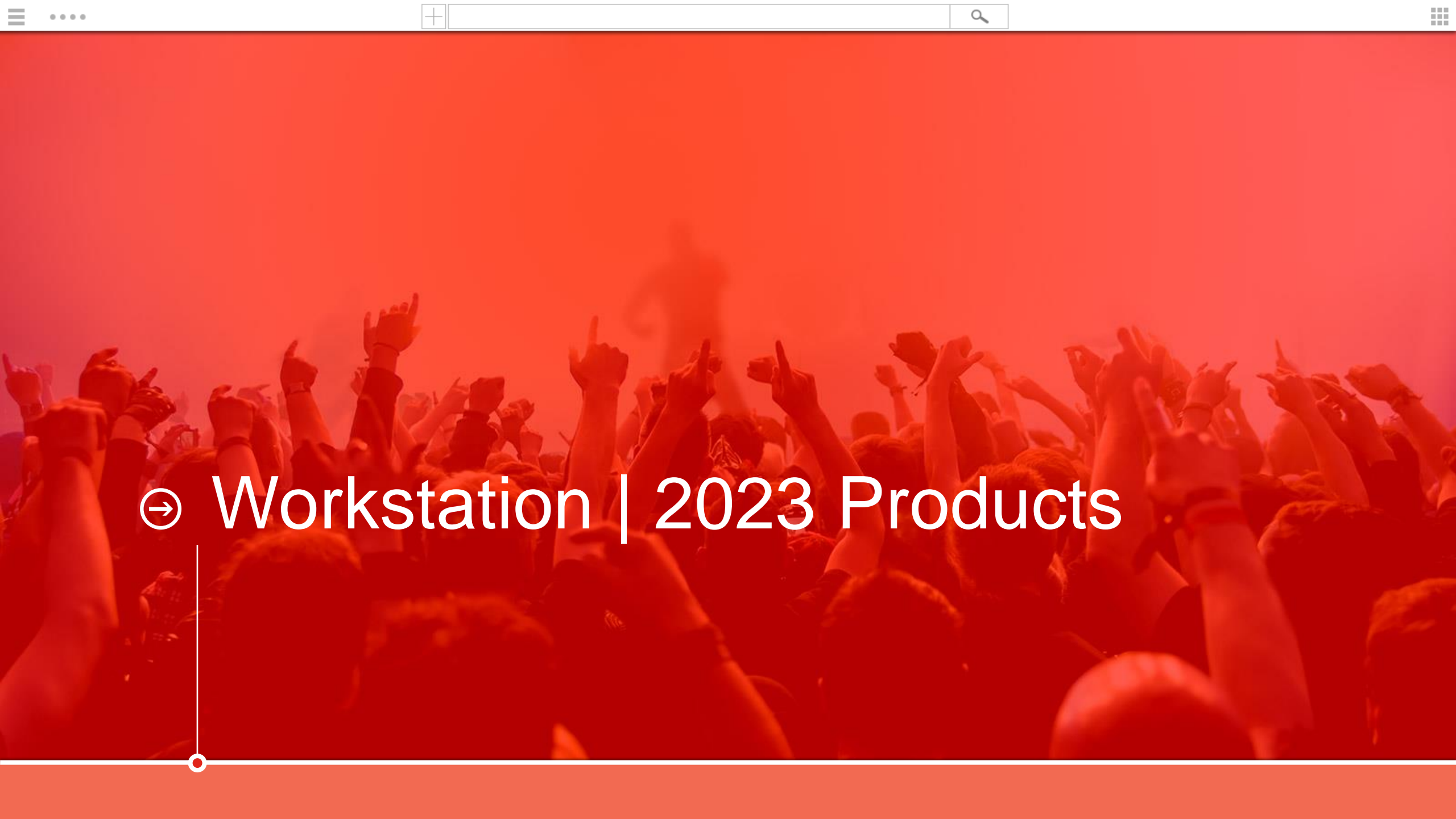
Optional Bays are addressed in 2 different ways – **THIS GUIDE ADDRESSES #2**

1. At Configuration (CTO)

- You do not have to select bays during CTO Configuration
- These bays are considered derived parts – You select drives and the system will automatically add the proper bays

2. Aftermarket

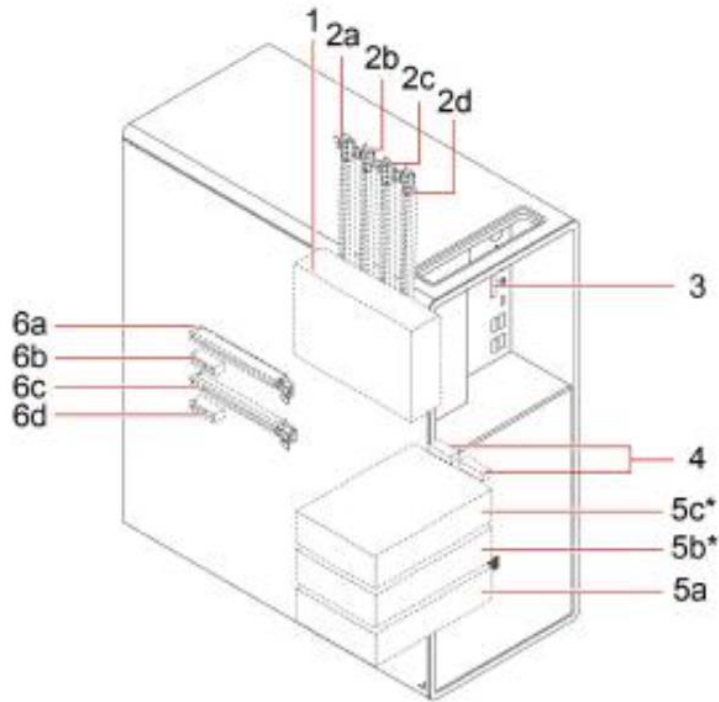
- If you buy a preconfigured model (Topseller) or a CTO that you want to upgrade at a later date, you will need Aftermarket Options (AMO) to complete the upgrade **in addition to the drive**
- Which AMO you need depends on the type of drives you are trying to add in addition to the drives you currently have
- The matrix on the next pages cover the Bay Additions and Upgrades including part numbers necessary **(these are in addition to the actual Drive)**



➔ Workstation | 2023 Products

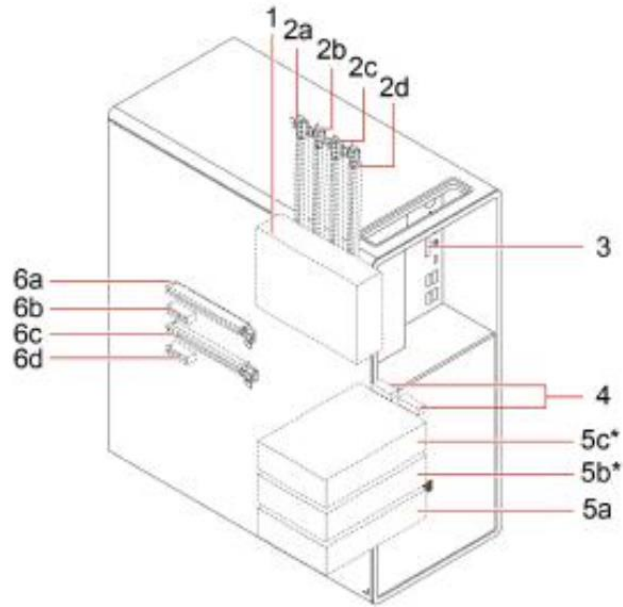


+ P3 TWR Bay and Slot Schematic



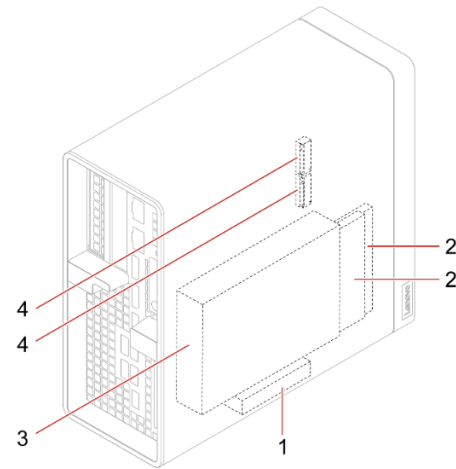
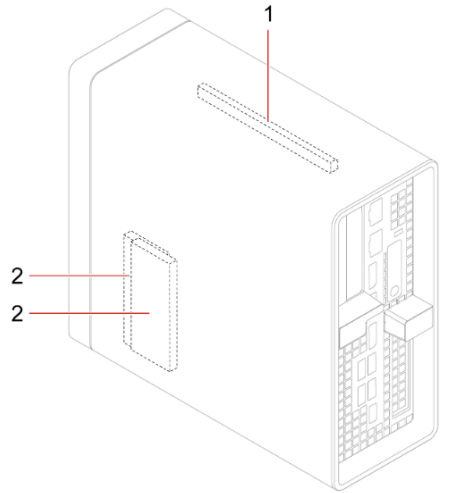
Bay Number	Standard or Optional	Bay Type
1	Optional	3 rd HDD Bay
2	Standard	Memory Slots
3	Optional	SD-Card Slot
4	Optional	M.2 Solid-State Drive Slots
5a	Standard	1 st HDD Bay
5b	Optional	2 nd HDD Bay
5c	Optional	4 th HDD Bay (Only support 500W Base)
6a	Standard	PCIe x 16 Gen4 Graphics Card Slot
6b-6c	Standard	PCIe Slots

P3 TWR Bay Additions and/or Conversion matrix



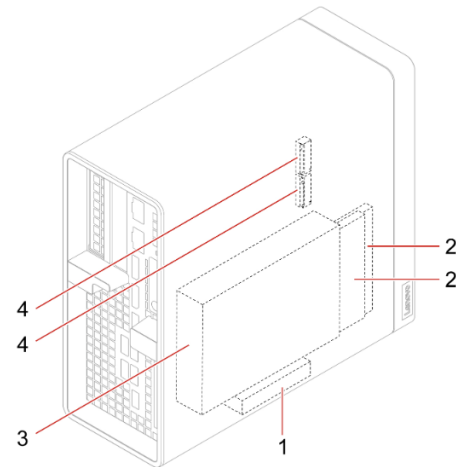
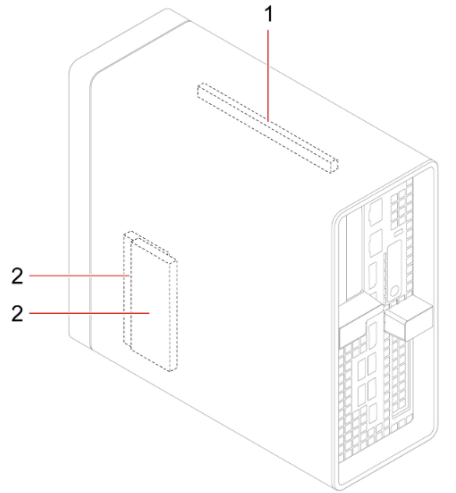
Location	Kits	Option PN	Picture
Area 1	<i>*4XF1M24243 will be selected instead of 4XF1M24244 when a 125W CPU and its cooler installed.</i>		
3.5' HDD / 2.5' HDD	ThinkStation Front Access Storage Enclosure for P3 Tower	4XF1M24244 (SS in July)	
	ThinkStation Storage Kit for P3 Tower	4XF1M24243 (SS in July)	
Area 2			
Memory Slots	Standard	/	/
Area 3			
Media Card Reader Bay	No option support	/	/
Bay 4			
M.2 SSD	TC M.2 2280 SSD Kit III	4XF1C39743	
	<i>Need to buy OB 2280 M2 SSD Heat Sink kit (SH41E38933 - 5F10U94103) if 4TB M.2 SSD installed</i>		
Bay 5a			
3.5' HDD	Shell Fit	/	
2.5' HDD	ThinkStation Storage Kit for P3 Tower	4XF1M24243 (SS in July)	
Bay 5b			
3.5' HDD / 2.5' HDD	ThinkStation Storage Kit for P3 Tower	4XF1M24243 (SS in July)	
Bay 5c	<i>*Only Support 500W Base *For 500W Base, Bay 5c will block/be blocked by Bay 4. You can choose to install M.2 SSD in Bay 4 or HDD in Bay 5c.</i>		
3.5' HDD / 2.5' HDD	ThinkStation Storage Kit for P3 Tower	4XF1M24243 (SS in July)	
Bay 6c			
PCIe Slots	ThinkStation M.2.SSD Adapter	4XH0L08578	


+ P3 Ultra Bay and Slot Schematic



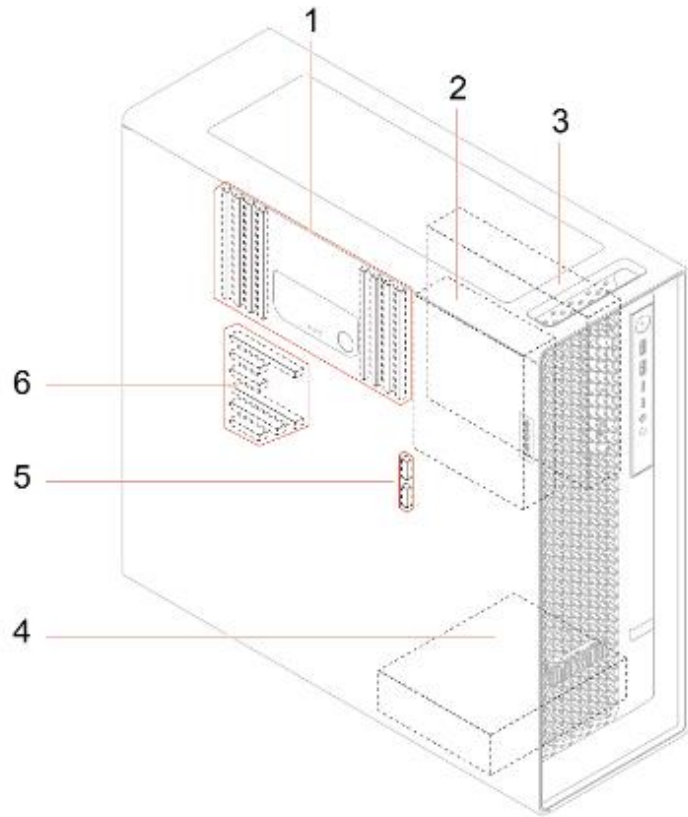
Bay Number	Standard or Optional	Bay Type
1	Standard	PCIe card slots
2	Standard	Memory slots
3	Optional	2.5-inch storage drive bay
4	Standard	M.2 solid-state drive slots

P3 Ultra Bay Additions and/or Conversion matrix



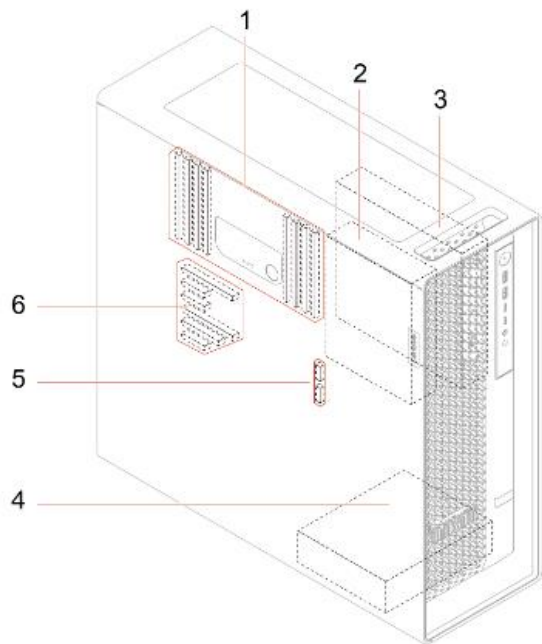
Location	Kits	Option PN	Picture
Area 1			
PCIe slots	Standard	/	/
Area 2			
Memory slots	Standard	/	/
Area 3			
2.5 HDD	ThinkStation Storage Kit for P3 Tower	4XF1M24243 (SS in July)	
Bay 4			
M.2 SSD slot	Standard	/	/


+ P5 Bay and Slot Schematic



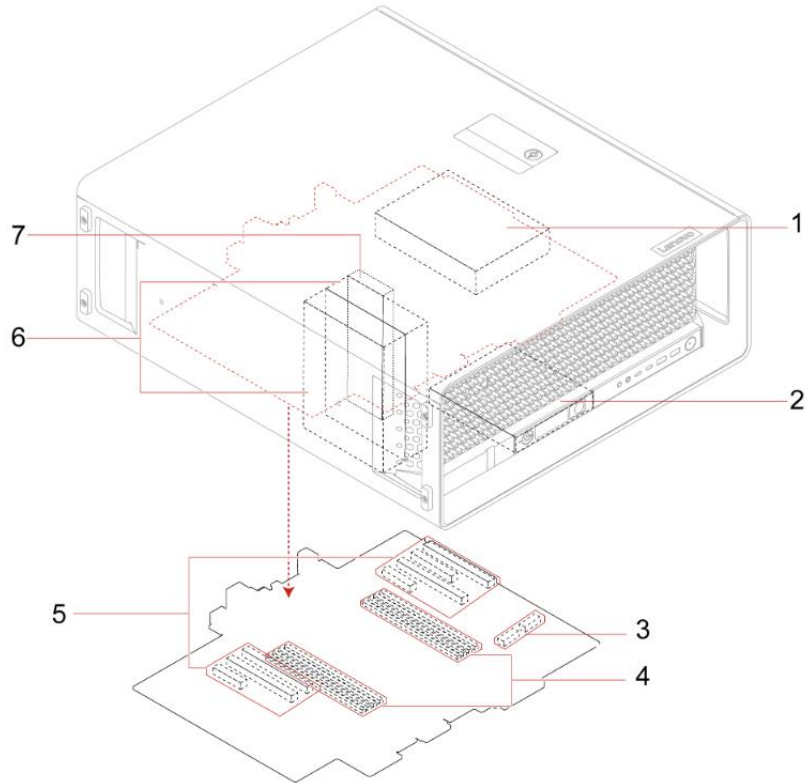
Bay Number	Standard or Optional	Bay Type
1	Standard	Memory Slots
2	Optional	Storage Drive Bay
3	Optional	Flex Bay
4	Standard	Storage Drive Bay*2
5	Standard	M.2 SSD Slots
6	Standard	PCIe Slots

P5 Bay Additions and/or Conversion matrix



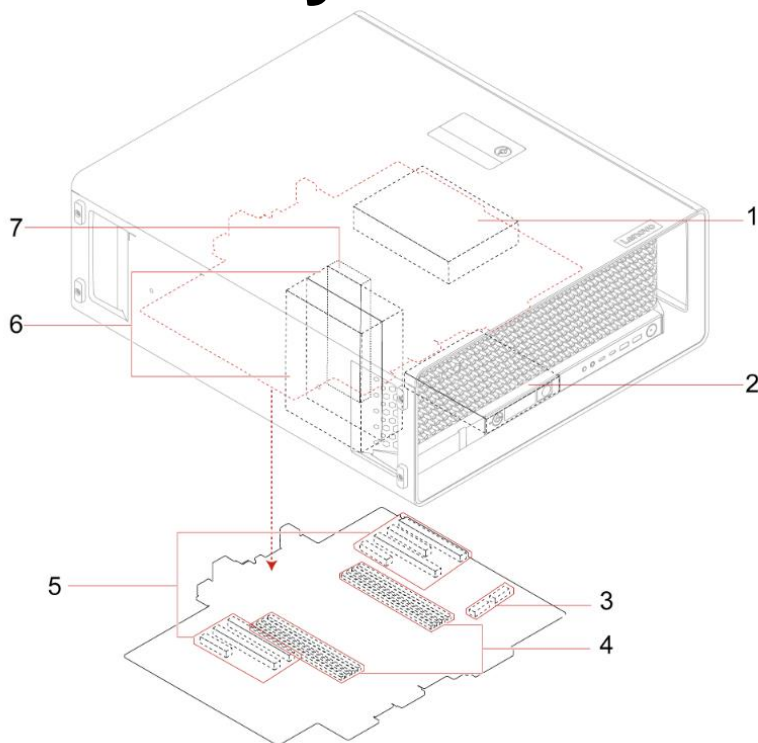
Location	Kits	Option PN	Picture
Area 1			
Memory Slots	Shell fit	/	/
Area 2			
3.5' HDD	ThinkStation HDD Storage Kit - P5	4XH1M73926 (SS in Aug)	
Area 3			
15-in-1 Media Card Reader	No option support	/	/
E1.S Storage Drive	No option support	/	/
M.2 Solid-State Drive	ThinkStation Front Access Storage Enclosure for M.2 SSD - P5/P7	4XH1M73927 (SS in Aug)	
Bay 4	<i>*Suggest buying fan FRU 5M11H28595 if it ships with 1000W BASE.</i>		
3.5' HDD*2	Standard	/	/
Bay 5			
M.2 Onboard SSD	Standard	/	/
Bay 5			
PCIe Card Slots (not support 4TB M.2 SSD)	ThinkStation Quad AIC M.2 SSD Adapter	4XH0V09766	

+ P7 Bay and Slot Schematic



Bay Number	Standard or Optional	Bay Type
1	Optional	HDD Bay
2	Optional	Flex Bay
3	Standard	M.2 SSD Slots (2+1)
4	Standard	Memory Slots*8
5	Standard	PCIe Slots*7
6	Optional	HDD Bay
7	Optional	Vertical SSD Slots

P7 Bay Additions and/or Conversion matrix

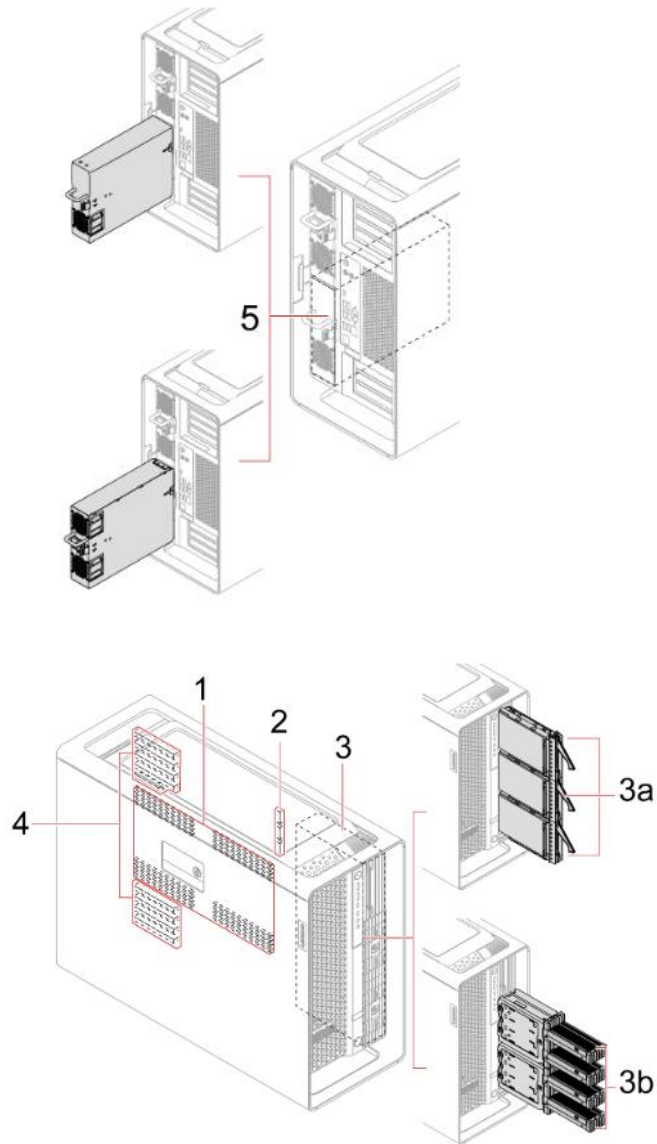


Bay 6 P7 HDD Kit FRU list		
FRU	Description	Remark
5F10U94085	6020 fan	HDD>0
5M20U50934	FAN	HDD>0
5M11C16908	Antrim Optional CPU Front Fan duct with 2 Fan	CPU>300W OR HDD>2
5C10U58385	SATA signal cable, 350mm	
5C10U58388	SATA 1-drop power cable, 300mm	
5C10U58386	SATA signal cable, 570mm	HDD>1
5C10U58704	SATA 3 drops cable for ROC SATA HDD	Raid Card for signal

Lenovo

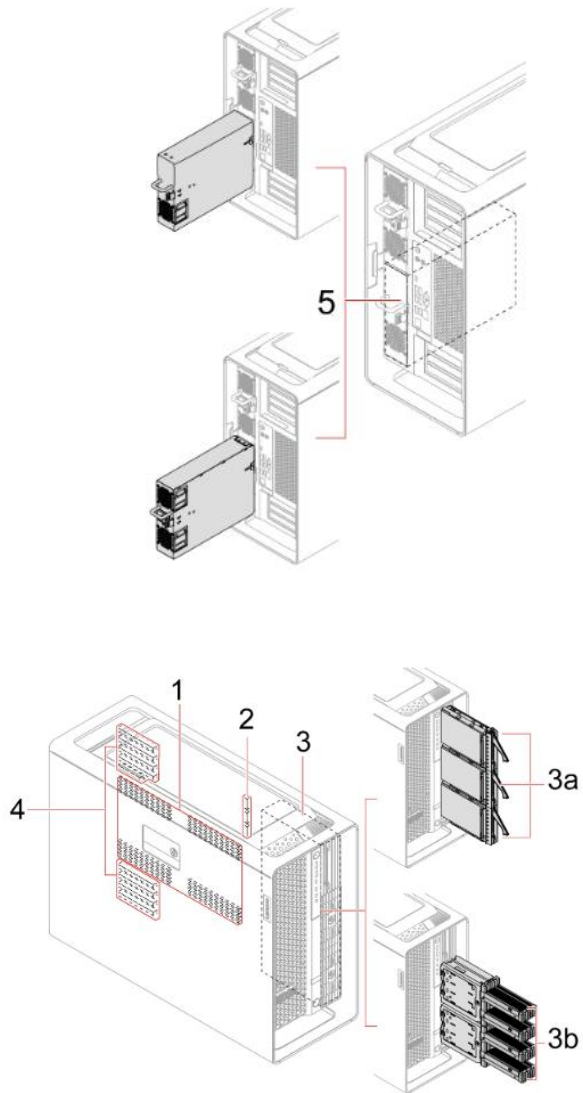
Location	Kits	Option PN	Picture
Area 1			
3 rd 3.5' HDD	ThinkStation Internal HDD Kit - P7	4XH1M73929 (SS in Aug)	
Area 2			
M.2 Storage Drive	ThinkStation Front Access Storage Enclosure for M.2 SSD - P5/P7	4XH1M73927 (SS in Aug)	
E1.S Storage Drive	No option support	/	/
Area 3			
Horizontal M.2 SSD Drive	ThinkStation M.2 SSD Enclosure Kit - P7	84XH1M73928 (SS in Aug)	
Bay 4			
Memory Slots	Standard	/	/
Bay 5			
PCIe SSD Drive	ThinkStation Quad AIC M.2 SSD Adapter	4XH0V09766	
Bay 6			
3.5' HDD	P7 HDD Kit	Leverage FRU	
SSD Drive	ThinkStation M.2 SSD Enclosure Kit - P7	84XH1M73928 (SS in Aug)	/
Bay 7			
Vertical SSD Drive	ThinkStation M.2 SSD Enclosure Kit - P7	84XH1M73928 (SS in Aug)	
* If the 2nd graphics card is dual slots GPU, then the vertical SSD Drive is not supported.			

+ PX Bay and Slot Schematic

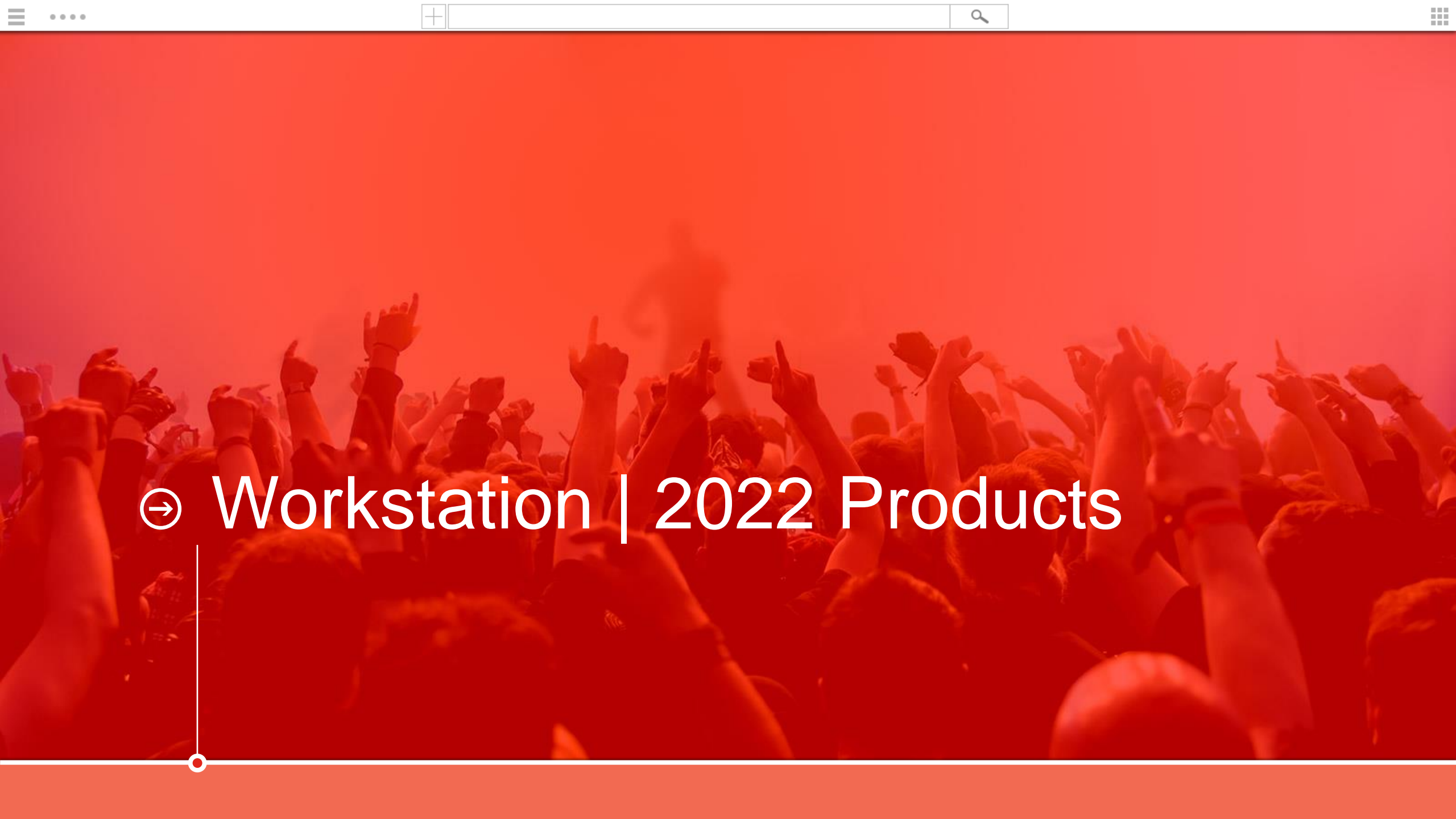


Bay Number	Standard or Optional	Bay Type
1	Standard	Memory slots
2	Standard	On-board M.2 solid-state drive slots
3	Optional	Front access bays
3a	Standard	3.5 HDD Drive Bay 1 to 3
3b	Optional	M.2 SSD/E1.S SSD Drive Bay 2+5 and 3 +6
4	Standard	PCIe slots
5	Standard	Power supply unit

PX Bay Additions and/or Conversion matrix



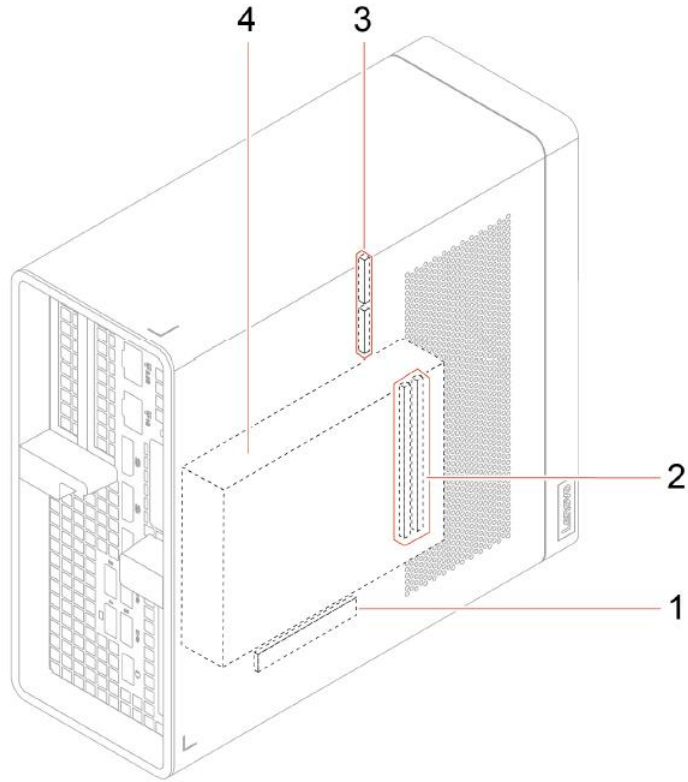
Location	Kits	Option PN	Picture
Area 1	<i>*Need to buy FRU 2*5M11H28536 if 128G/256G memory installed.</i>		
Memory Slots (16x)	/	/	/
Area 2			
M.2 SSD Drive (3x)	Standard	/	/
Area 3			
3.5 HDD Drive (3x)	Standard	/	/
M.2 SSD Drive (2x)	ThinkStation Flex Bay Kit for M.2 SSD Enclosure – PX	4XH1M64236 (SS in Aug)	
E1.S SSD Drive (2x)	No option support	/	/
Bay 4			
PCIe Slots	Standard	/	/
Bay 5			
Power Supply Unit	/	/	/
3.5 HDD	PSU Bay Storage Kit	New option G (Low priority, SS in 2024)	



➔ Workstation | 2022 Products

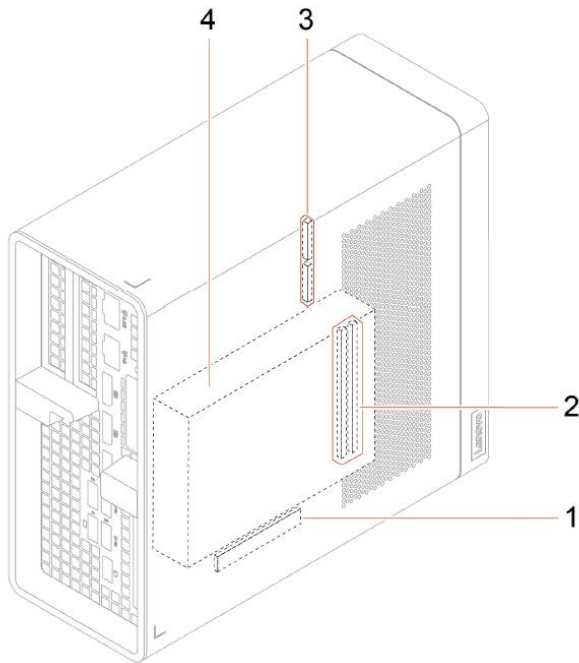


+ P360Ultra Bay and Slot Schematic



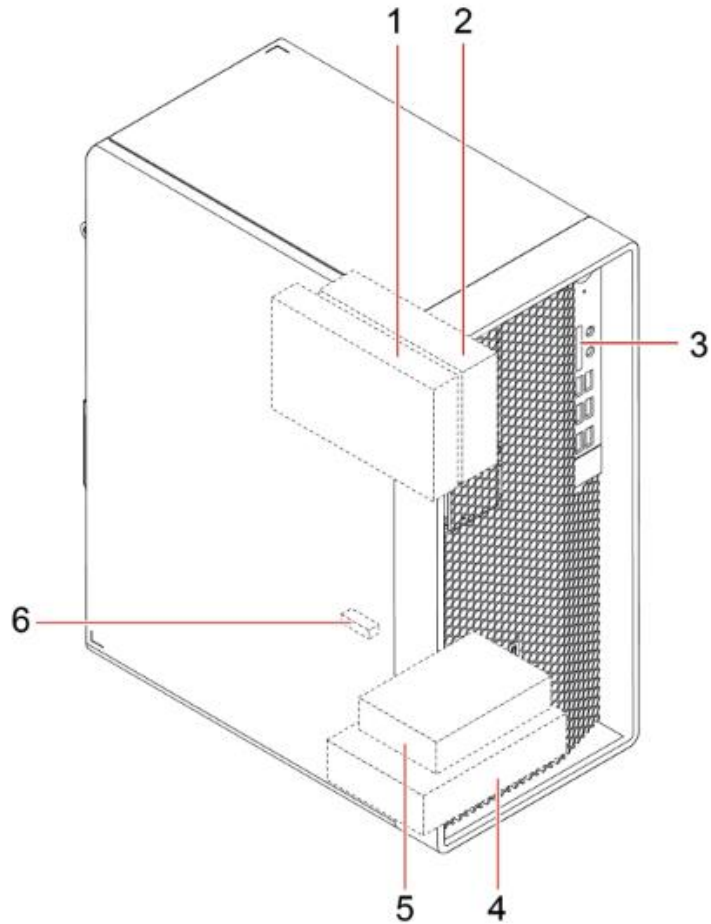
Bay Number	Standard or Optional	Bay Type
1	Standard	PCIe card slots
2	Standard	Memory slots
3	Standard	M.2 solid-state drive slots
4	Optional	2.5-inch storage drive bay

P360Ultra Bay Additions and/or Conversion matrix



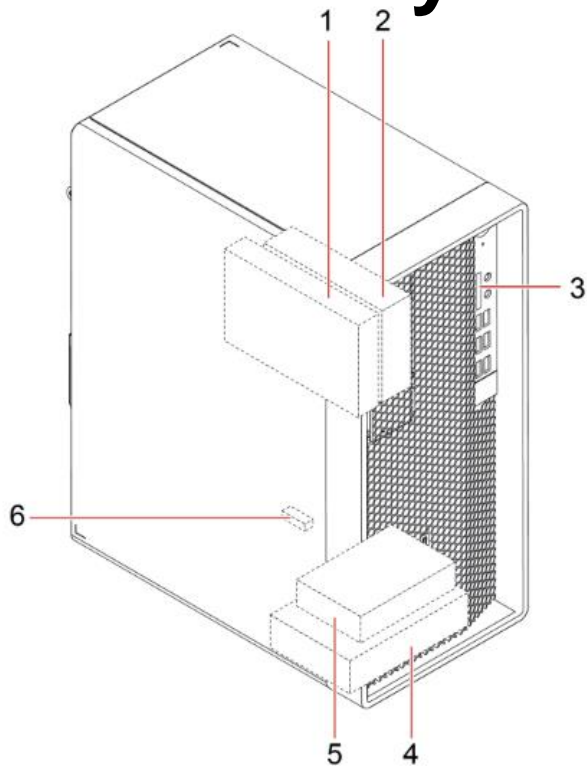
Location	Kits	Option PN	Picture
Area 1			
PCIe slots	/	/	/
Area 2			
Memory slots	/	/	/
Area 3			
M.2 SSD slot	/	/	
Bay 4			
2.5 HDD	ThinkStation Storage Kit for P3 Tower	4XF1M24243 (SS in July)	

+ P358 Bay and Slot Schematic



Bay Number	Standard or Optional	Bay Type
1	Optional	9mm Slim ODD Bay
2	Optional	3.5' HDD Bay or 2.5' HDD Bay
3	Optional	Media Card Reader Bay
4	Standard	3.5' HDD Bay or 2.5' HDD Bay
5	Optional	2.5' HDD Bay
6	Standard	M.2 SSD slot

P358 Bay Additions and/or Conversion matrix



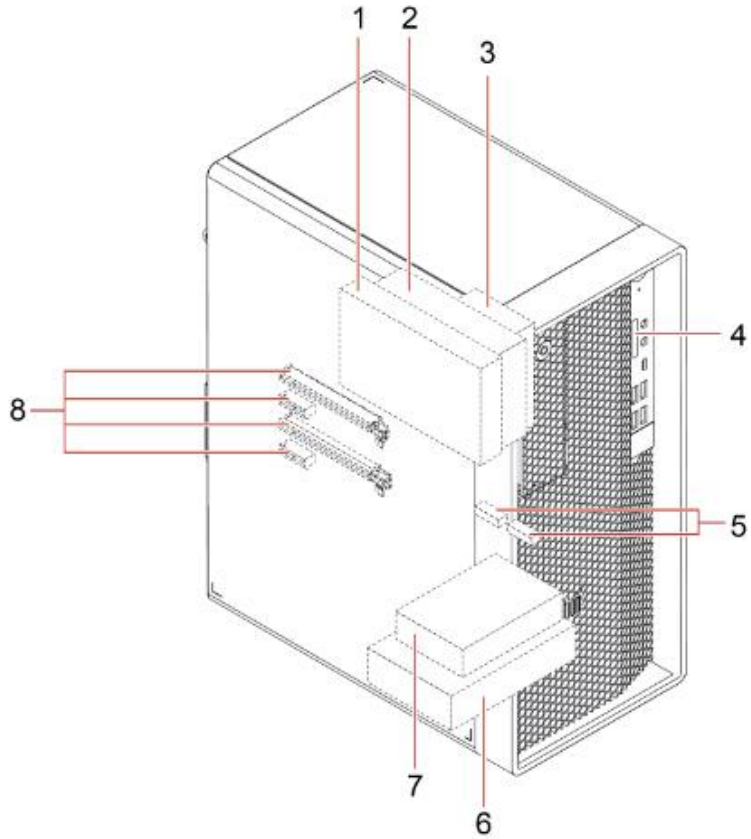
Note:

1. The bay 2 must be used together with the ODD bracket(bay1).
2. Can install a 2.5-inch storage drive in bay5 when the bay4 is occupied.
3. If front fan existed, Bay 5 could not be supported at the same time.



Location	Kits	Option PN	Picture
Bay 1			
9mm Slim ODD	TS Slim 9mm DVD burner	4XA1L13934	
Bay 2			
3.5" HDD	ThinkStation 3.5" FASE Kit + ThinkStation Slim ODD bracket kit	4XH1B85931 + 4XF1L42848	
2.5" HDD	ThinkStation 3.5" FASE Kit + ThinkStation Slim ODD bracket kit + 2.5" to 3.5" Conversion Kit	4XH1B85931 + 4XF1L42848 + 4XF0G94539	
Area 3			
Medie Card Reader	/	/	/
Bay 4			
3.5" HDD	Shell fit	/	/
2.5 HDD	2.5" to 3.5" Conversion Kit	4XF0G94539	
Bay 5			
2.5 HDD	ThinkStation Storage Kit	4XH1B85930	
Area 6			
M.2 SSD slot	M.2 heatsink/bracket	4XF1C39743	

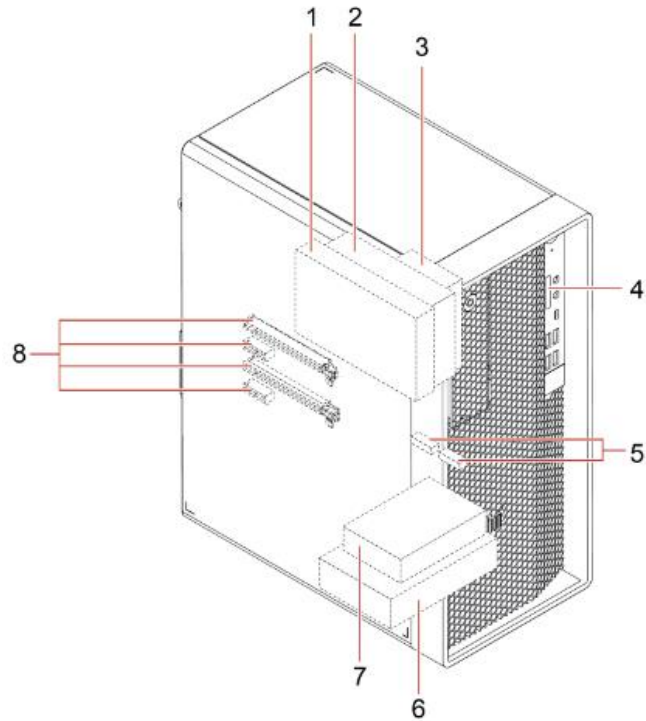
+ P360 Bay and Slot Schematic



Bay Number	Standard or Optional	Bay Type
1	Optional	9mm Slim ODD Bay
2	Optional	3.5" HDD Bay or 2.5" HDD Bay
3	Optional	2.5" Storage Bay
4	Optional	Media Card Reader Bay
5	Standard	2 x M.2 SSD slots (on Motherboard)
6	Standard	3.5" or 2.5" Drive Bay
7	Optional	2.5" Storage Bay
8	Standard	PCIe Slots (on Motherboard)

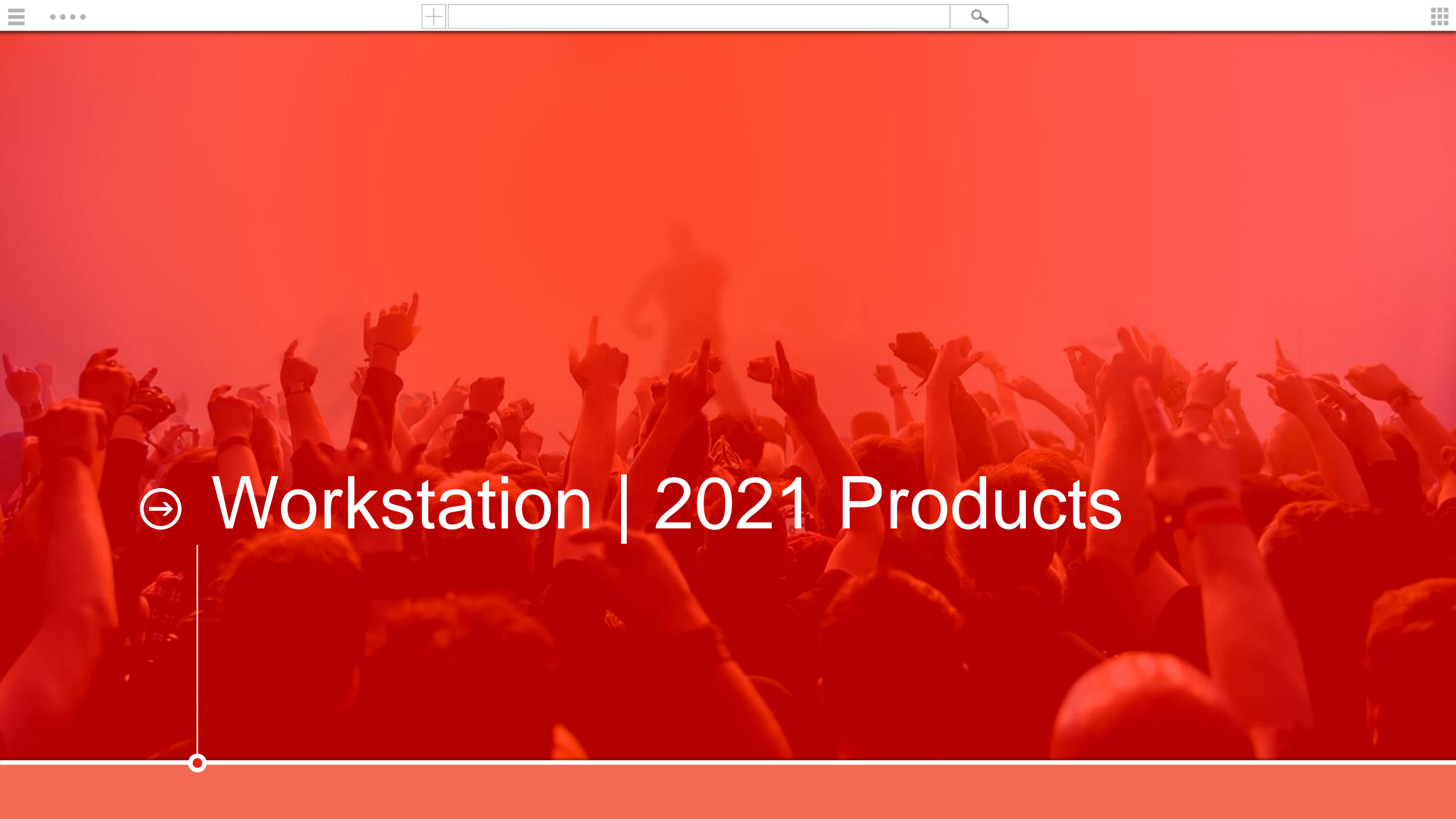


P360TWR Bay Additions and/or Conversion matrix



Location	Kits	Option PN	Picture
Bay 1			
9mm Slim ODD	TS Slim 9mm DVD burner	4XA1L13934	
Bay 2			
3.5' HDD	ThinkStation 3.5' FASE Kit + ThinkStation Slim ODD bracket kit	4XH1B85931 + 4XF1L42848	
2.5' HDD	ThinkStation 3.5' FASE Kit + ThinkStation Slim ODD bracket kit + 2.5' to 3.5' Conversion Kit	4XH1B85931 + 4XF1L42848 + 4XF0G94539	
Bay 3			
2.5' HDD	ThinkStation Storage Kit	4XH1B85930	
Area 4	No Kits Required		
Area 5	M.2 heatsink/bracket	4XF1C39743	
Bay 6			
3.5' HDD	Shell fit	/	
2.5' HDD	2.5' to 3.5' Conversion Kit	4XF0G94539	
Bay 7			
2.5' HDD	ThinkStation Storage Kit	4XH1B85930	
Area 8			
PCIe slots	M.2.SSD Adapter-high profile	4XH0L08578	

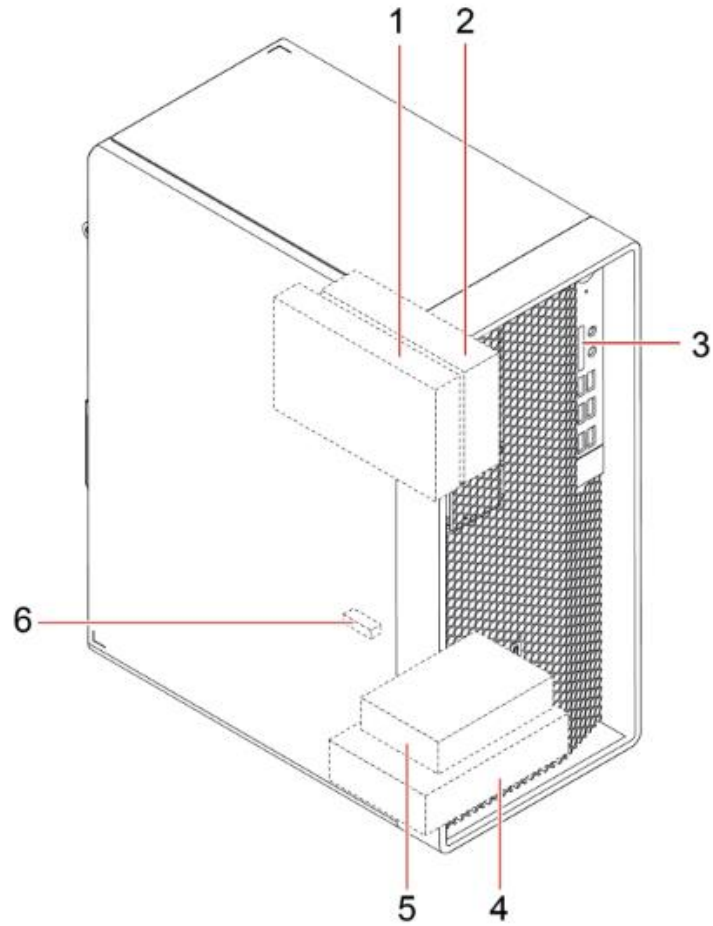




➔ Workstation | 2021 Products

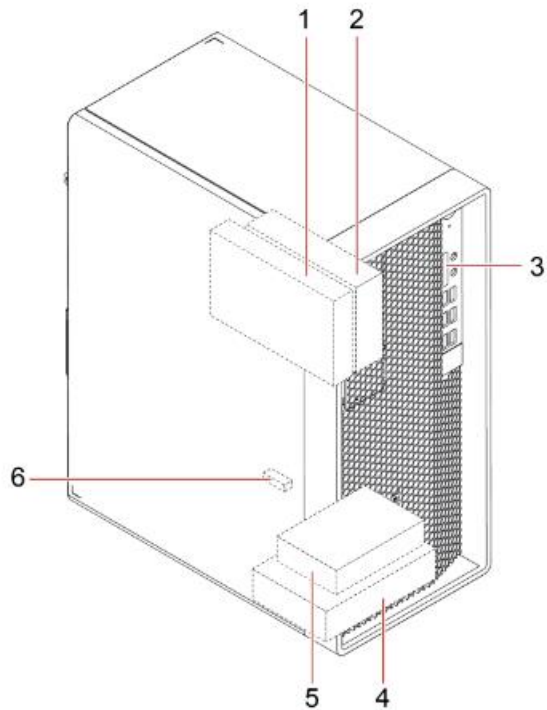


+ P348 Bay and Slot Schematic



Bay Number	Standard or Optional	Bay Type
1	Optional	9mm Slim ODD Bay
2	Optional	3.5' HDD Bay or 2.5' HDD Bay
3	Optional	Media Card Reader Bay
4	Standard	3.5' HDD Bay or 2.5' HDD Bay
5	Optional	2.5' HDD Bay
6	Standard	M.2 SSD slot

P348 Bay Additions and/or Conversion matrix

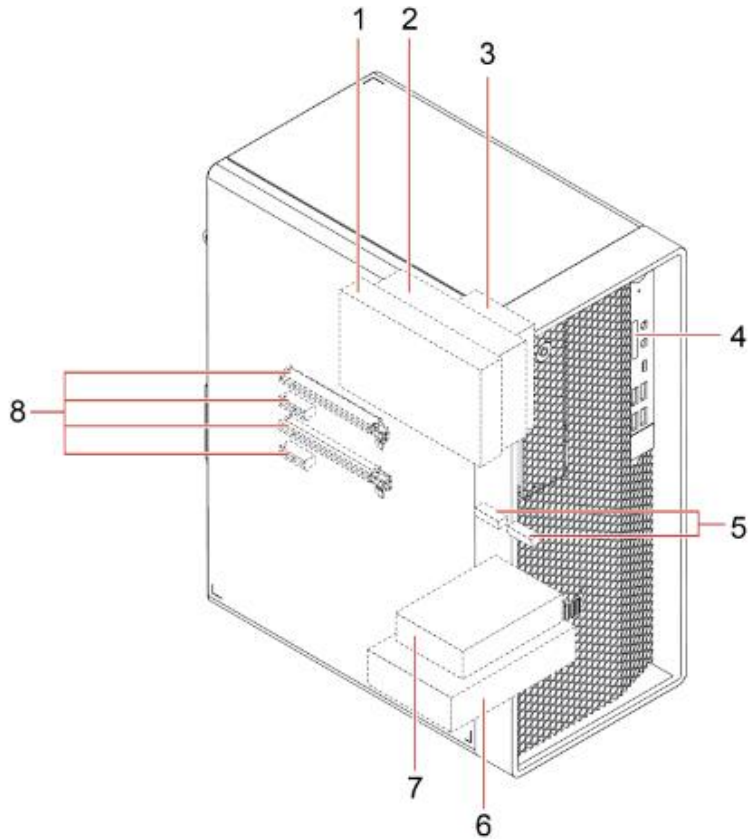


Location	Kits	Option PN	Picture
Bay 1			
9mm Slim ODD	TS Slim 9mm DVD burner	4XA1L13934	
Bay 2			
3.5' HDD	ThinkStation 3.5" FASE Kit + ThinkStation Slim ODD bracket kit	4XH1B85931 + 4XF1L42848	
2.5' HDD	ThinkStation 3.5" FASE Kit + ThinkStation Slim ODD bracket kit + 2.5" to 3.5" Conversion Kit	4XH1B85931 + 4XF1L42848 + 4XF0G94539	
Area 3			
Medie Card Reader	/	/	/
Bay 4			
3.5' HDD	Shell fit	/	/
2.5 HDD	2.5" to 3.5" Conversion Kit	4XF0G94539	
Bay 5			
2.5 HDD	ThinkStation Storage Kit	4XH1B85930	
Area 6			
M.2 SSD slot	M.2 heatsink/bracket	4XF1C39743	

Note:

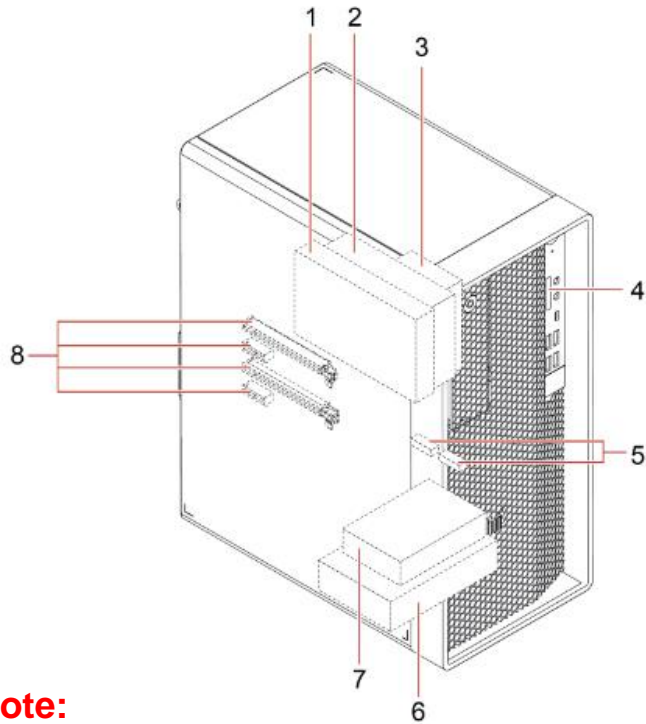
- Bay 2 must be used together with the ODD bracket(bay1).
- Can install a 2.5-inch storage drive in bay5 when the bay4 is occupied.

+ P350 Tower Bay and Slot Schematic



Bay Number	Standard or Optional	Bay Type
1	Optional	9mm Slim ODD Bay
2	Optional	3.5" HDD Bay or 2.5" HDD Bay
3	Optional	2.5" Storage Bay
4	Optional	Media Card Reader Bay
5	Standard	2 x M.2 SSD slots (on Motherboard)
6	Standard	3.5" or 2.5" Drive Bay
7	Optional	2.5" Storage Bay
8	Standard	PCIe Slots (on Motherboard)

+ P350TWR Bay Additions and/or Conversion matrix



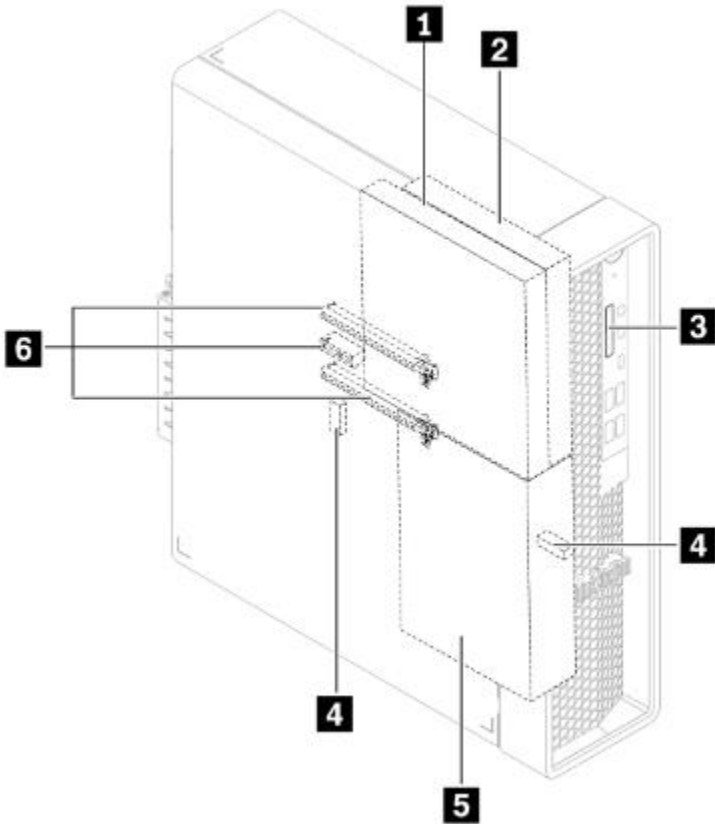
Note:

1. The bay 2 must be used together with the ODD bracket(bay1).
2. Can install a 2.5-inch storage drive in bay3 when the bay2 is occupied.
3. Can install a 2.5-inch storage drive in bay7 when the bay6 is occupied.
4. If Bay 3 and Bay 7 needed at the same time, only one set of 4XH1B85930 needed.

Lenovo

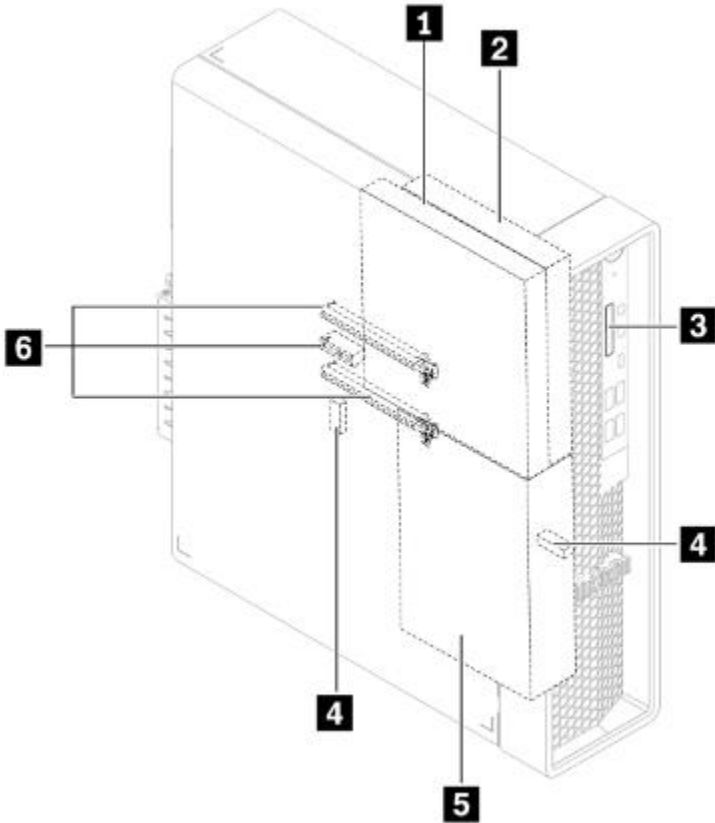
Location	Kits	Option PN	Picture
Bay 1			
9mm Slim ODD	TS Slim 9mm DVD burner	4XA1L13934	
Bay 2			
3.5' HDD	ThinkStation 3.5' FASE Kit + ThinkStation Slim ODD bracket kit	4XH1B85931 + 4XF1L42848	
2.5' HDD	ThinkStation 3.5' FASE Kit + ThinkStation Slim ODD bracket kit + 2.5' to 3.5' Conversion Kit	4XH1B85931 + 4XF1L42848 + 4XF0G94539	
Bay 3			
2.5' HDD	ThinkStation Storage Kit	4XH1B85930	
Area 4	No Kits Required		
Area 5	M.2 heatsink/bracket	4XF1C39743	
Bay 6			
3.5' HDD	Shell fit	/	
2.5' HDD	2.5' to 3.5' Conversion Kit	4XF0G94539	
Bay 7			
2.5' HDD	ThinkStation Storage Kit	4XH1B85930	
Area 8			
PCIe slots	M.2.SSD Adapter-high profile	4XH0L08578	

+ P350 SFF Bay and Slot Schematic

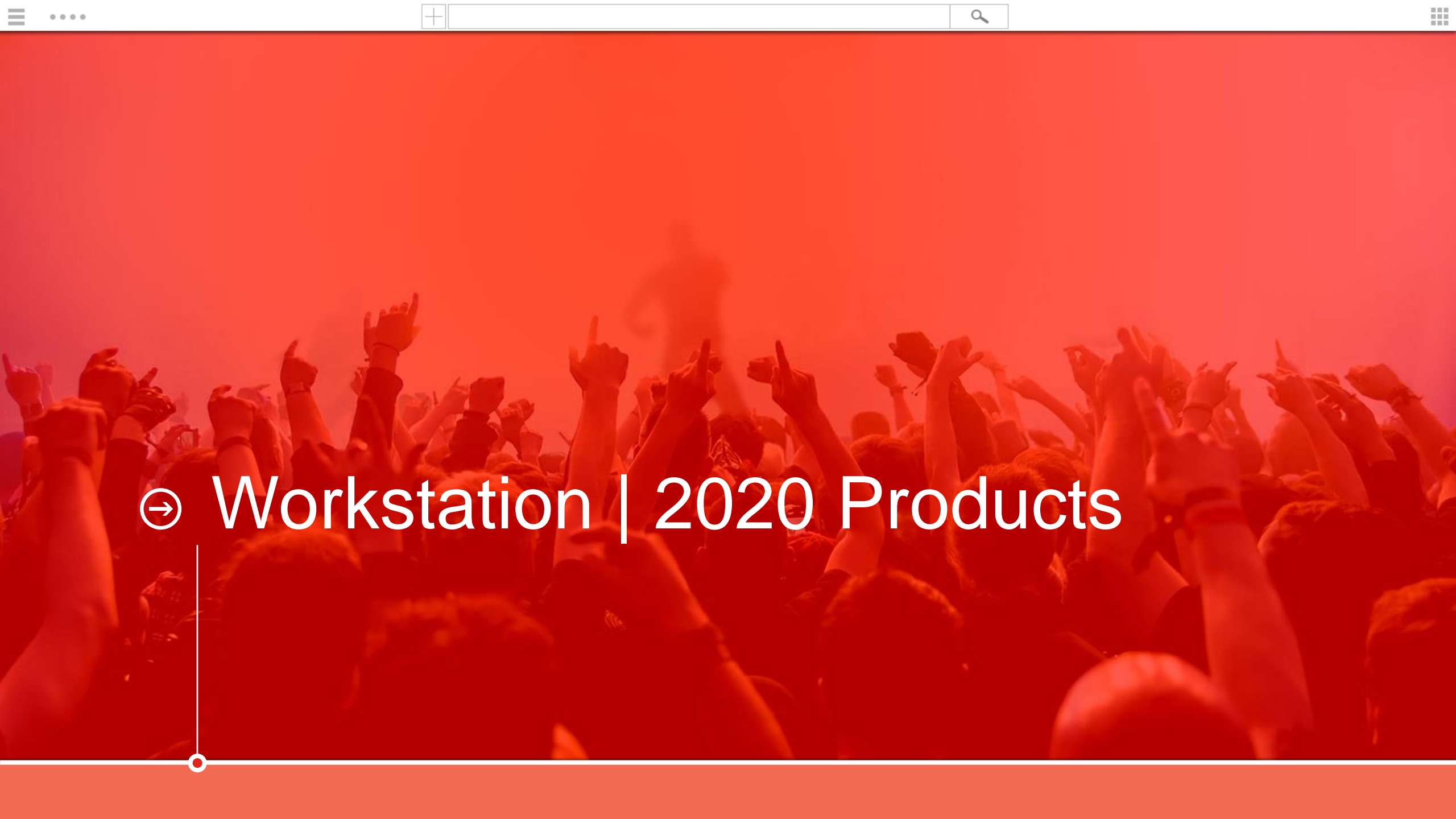


Bay Number	Standard or Optional	Bay Type
1	Optional	9mm Slim ODD Bay
2	Optional	2.5" Drive Bay
3	Optional	SD Card Reader Slot
4	Standard	M.2 SSD slots (on Motherboard)
5	Standard	3.5" or 2.5" Drive Bay
6	Standard	PCIe Card Slots

+ P350 SFF Bay Additions and/or Conversion matrix

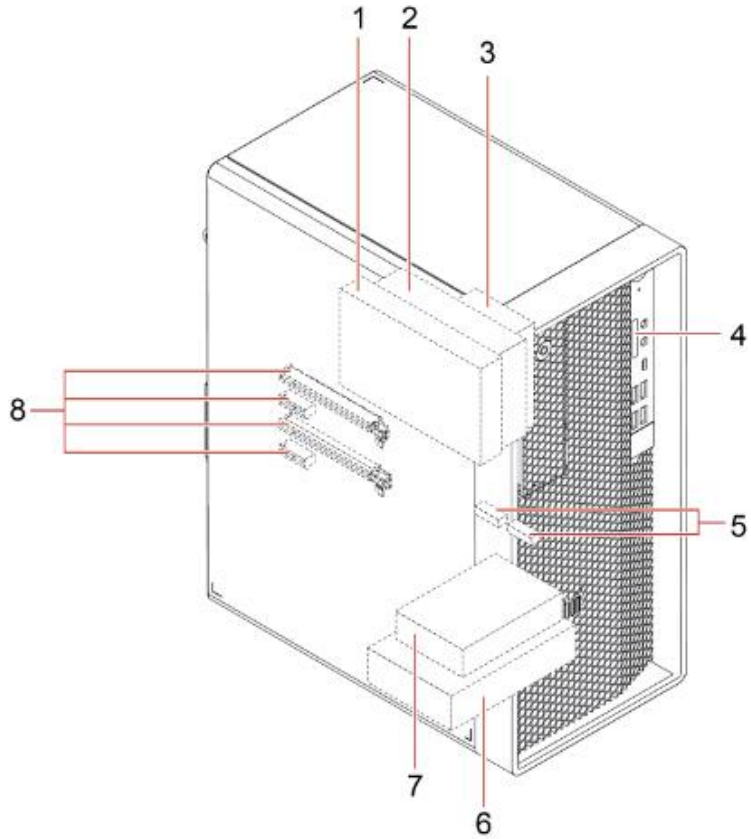


Location	Kits	Option PN	Picture
Bay 1			
9mm Slim ODD	No Kits Required	/	/
Area 2			
2.5' Drive Bay	ThinkStation Storage Kit	4XH1B85930	
Area 3	No Kits Required	/	/
Area 4			
M.2 SSD slots	M.2 heatsink/bracket	4XF1C39743	
Bay 5			
3.5" Drive	Shell fit	/	/
2.5" Drive	2.5" to 3.5" Conversion Kit	4XF0G94539	
Area 6			
PCIe Card Slots	M.2.SSD Adapter-high profile	4XH0L08578	



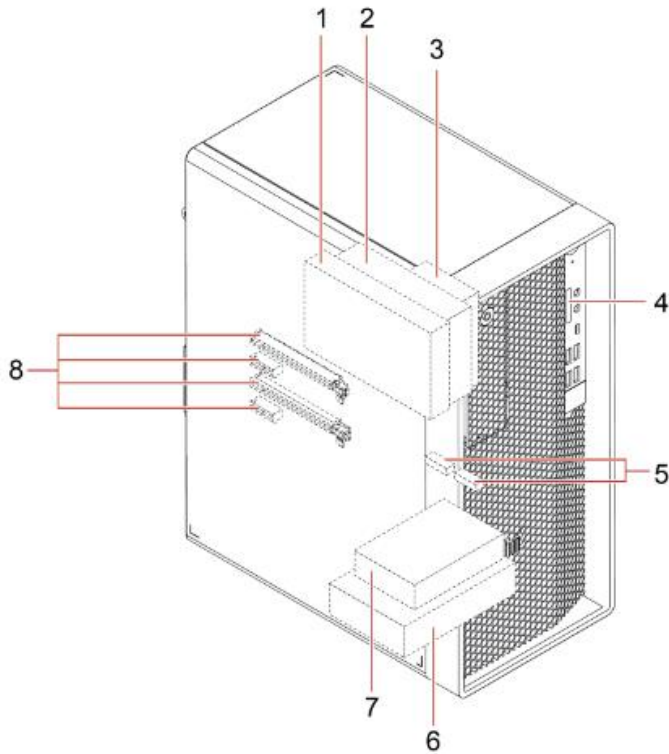
➔ Workstation | 2020 Products

+ P340 Tower Bay and Slot Schematic



Bay Number	Standard or Optional	Bay Type
1	Optional	9mm Slim ODD Bay
2	Optional	3.5" HDD Bay or 2.5" HDD Bay
3	Optional	2.5" Storage Bay
4	Optional	Media Card Reader Bay
5	Standard	2 x M.2 SSD slots (on Motherboard)
6	Standard	3.5" or 2.5" Drive Bay
7	Optional	2.5" Storage Bay
8	Standard	PCIe Slots (on Motherboard)

+ P340TWR Bay Additions and/or Conversion matrix



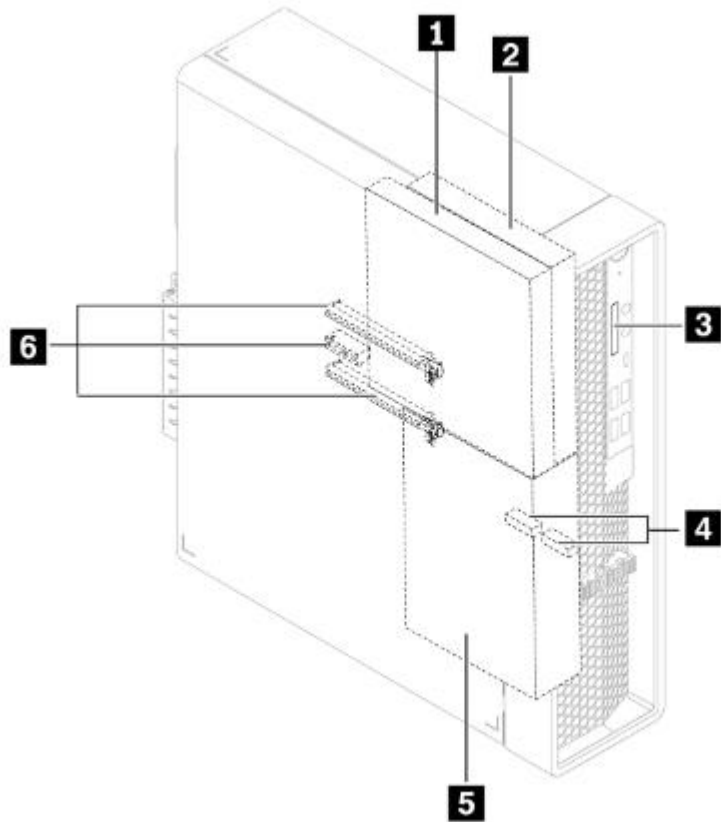
Note:

1. The bay 2 must be used together with the ODD bracket(bay1).
2. Can install a 2.5-inch storage drive in bay3 when the bay2 is occupied.
3. Can install a 2.5-inch storage drive in bay7 when the bay6 is occupied.

Lenovo

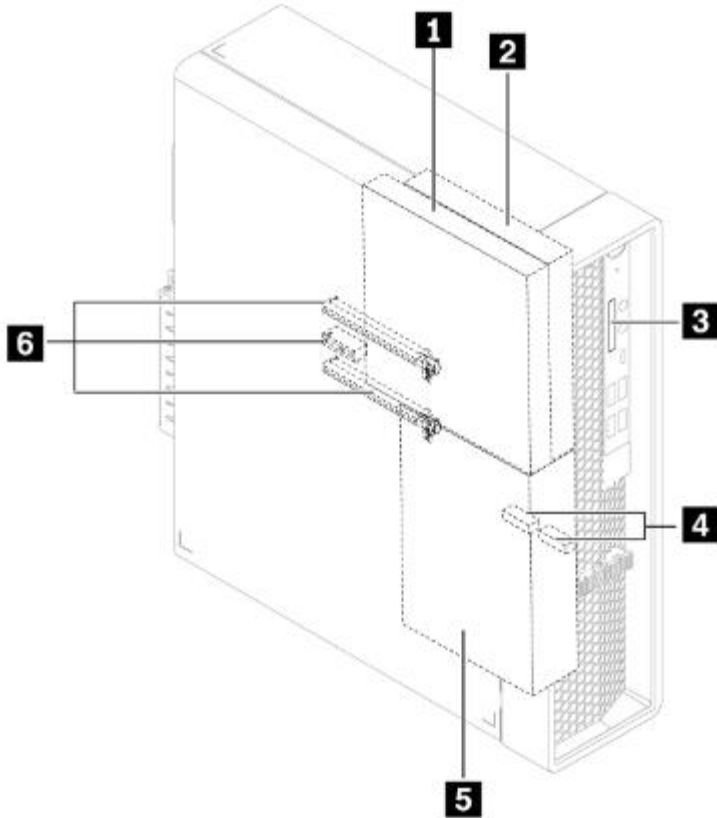
Location	Kits	Option PN	Picture
Bay 1			
9mm Slim ODD	TS Slim 9mm DVD burner	4XA1L13934	
Bay 2			
3.5' HDD	ThinkStation 3.5' FASE Kit + ThinkStation Slim ODD bracket kit	4XH1B85931 + 4XF1L42848	
2.5' HDD	ThinkStation 3.5' FASE Kit + ThinkStation Slim ODD bracket kit + 2.5' to 3.5' Conversion Kit	4XH1B85931 + 4XF1L42848 + 4XF0G94539	
Bay 3			
2.5' HDD	ThinkStation Storage Kit	4XH1B85930	
Area 4	No Kits Required		
Area 5	M.2 heatsink/bracket	4XF1C39743	
Bay 6			
3.5' HDD	Shell fit	/	
2.5' HDD	2.5' to 3.5' Conversion Kit	4XF0G94539	
Bay 7			
2.5' HDD	ThinkStation Storage Kit	4XH1B85930	
Area 8			
PCIe slots	M.2.SSD Adapter-high profile	4XH0L08578	

+ P340 SFF Bay and Slot Schematic



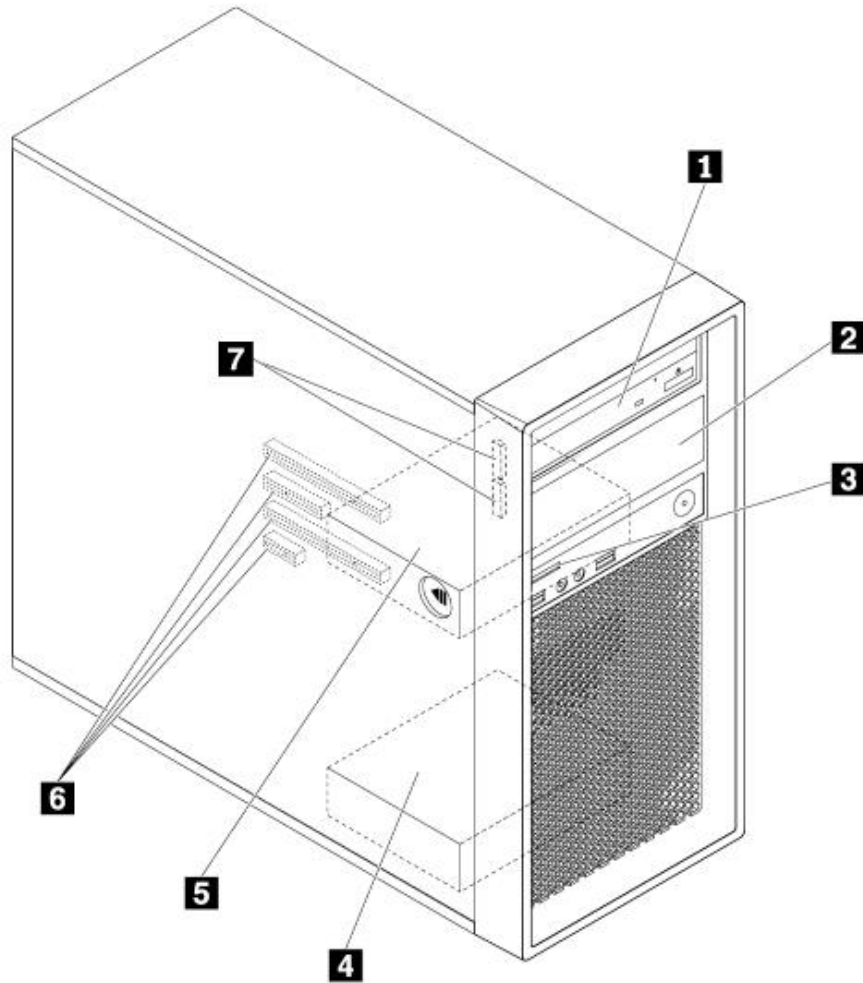
Bay Number	Standard or Optional	Bay Type
1	Optional	9mm Slim ODD Bay
2	Optional	2.5" Drive Bay
3	Optional	SD Card Reader Slot
4	Standard	M.2 SSD slots (on Motherboard)
5	Standard	3.5" or 2.5" Drive Bay
6	Standard	PCIe Card Slots

+ P340 SFF Bay Additions and/or Conversion matrix



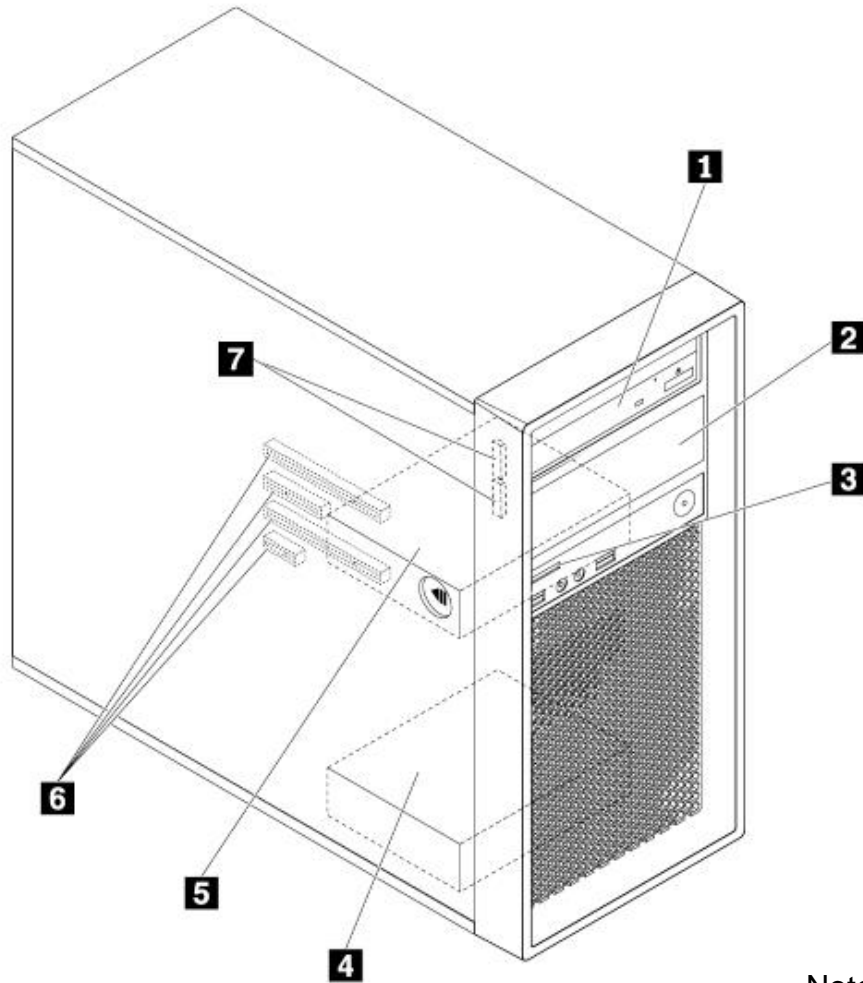
Location	Kits	Option PN	Picture
Bay 1			
9mm Slim ODD	No Kits Required	/	/
Bay 2			
2.5' Drive Bay	ThinkStation Storage Kit	4XH1B85930	
Area 3	No Kits Required	/	/
Area 4			
M.2 SSD slots	M.2 heatsink/bracket	4XF1C39743	
Bay 5			
3.5" Drive	Shell fit	/	/
2.5" Drive	2.5" to 3.5" Conversion Kit	4XF0G94539	
Area 6			
PCIe Card Slots	M.2.SSD Adapter-high profile	4XH0L08578	

+ P520c Bay and Slot Schematic



Bay Number	Standard or Optional	Bay Type
1	Optional	Flex Bay – Multiple configuration options
2	Optional	Flex Bay – Multiple configuration options
3	Optional	SD Card Reader Slot
4	Standard	3.5" or 2.5" Drive Bay
5	Standard	3.5" or 2.5" Drive Bay
6	Standard	PCIe Slots (on Motherboard)
7	Standard	2 x M.2 SSD slots (on Motherboard)

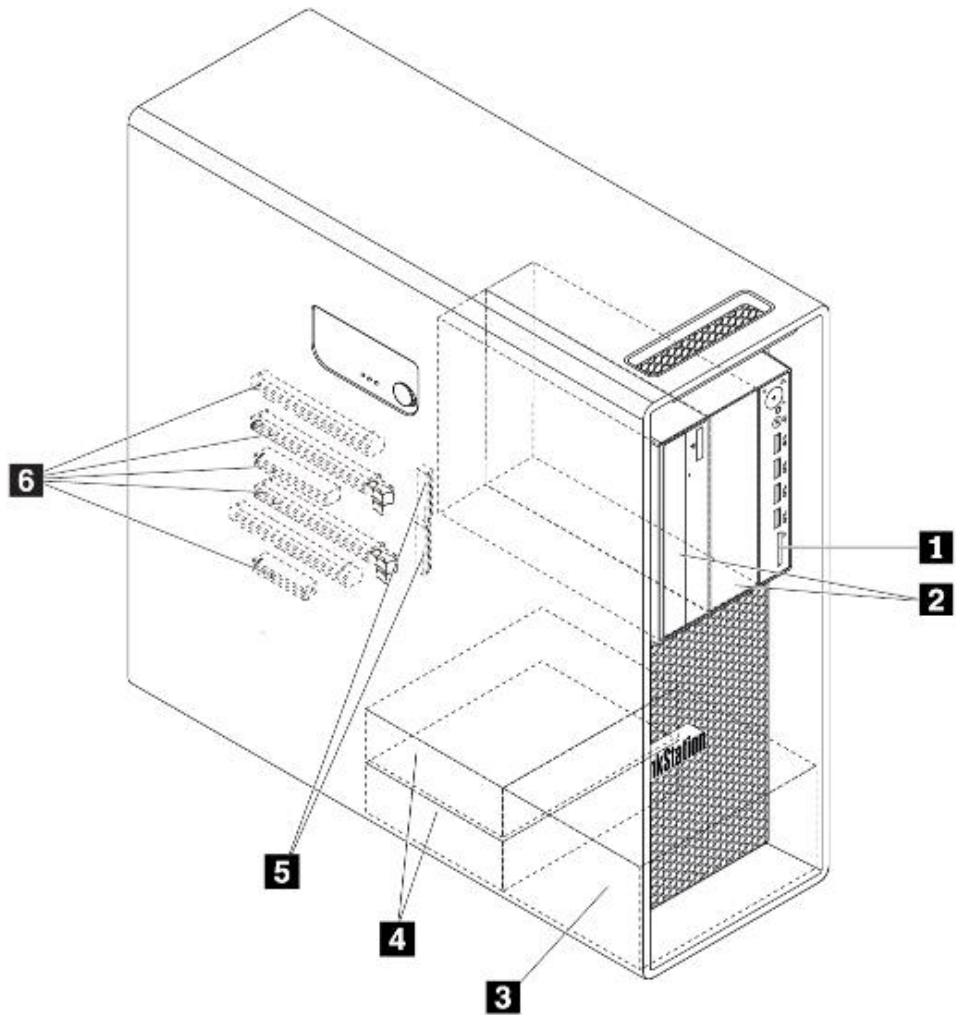
+ P520c Bay Additions and/or Conversions matrix



Bay	Convert or Add	Part Number Required
Bay 1 and/or 2	5.25" Flex Bay supports the following	
Front access 3.5" Drive	ThinkStation Front Access Storage Enclosure	4XF0N87467
Front access 2.5" Drive	ThinkStation Front Access Storage Enclosure + ThinkStation 2.5" to 3.5" Conversion Kit	4XF0N87467 + 4XF0G94539
ODD Drive	ThinkStation Multi-Drive Conversion Kit for ODD and HDD	4XF0N91548
Bay 3	No Conversion Available Aftermarket	
Bay 4		
3.5" Drive	No Conversion Required	
2.5" Drive	ThinkStation 2.5" to 3.5" Conversion Kit	4XF0G94539
Bay 5		
3.5" Drive	No Conversion Required	
2.5" Drive	ThinkStation 2.5" to 3.5" Conversion Kit	4XF0G94539
Bay 6		
M.2 Drive	ThinkStation M.2.SSD Adapter-high profile	4XH0L08578
Bay 7	No Conversion Needed	

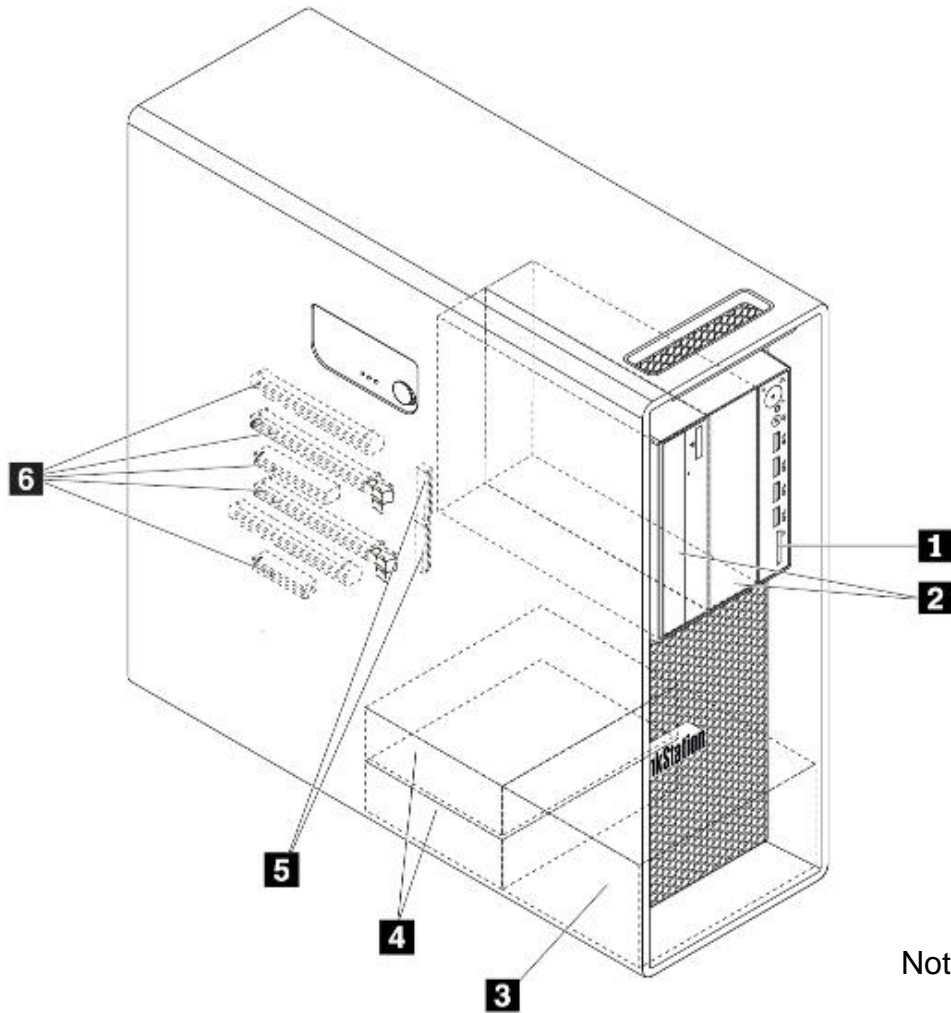
Note: Only 1x FASE (front accessible storage enclosure) supported as system has one eSATA port.

+ P520 Bay and Slot Schematic



Bay Number	Standard or Optional	Bay Type
1	Optional	SD Card Reader Slot
2	Optional (2x)	Flex Bay – Multiple configuration options
3	Optional	2x 3.5" or 2.5" Drive Bays
4	Standard	2x 3.5" or 2.5" Drive Bays
5	Standard	2 x M.2 SSD slots (on Motherboard)
6	Standard	PCIe Slots (on Motherboard)

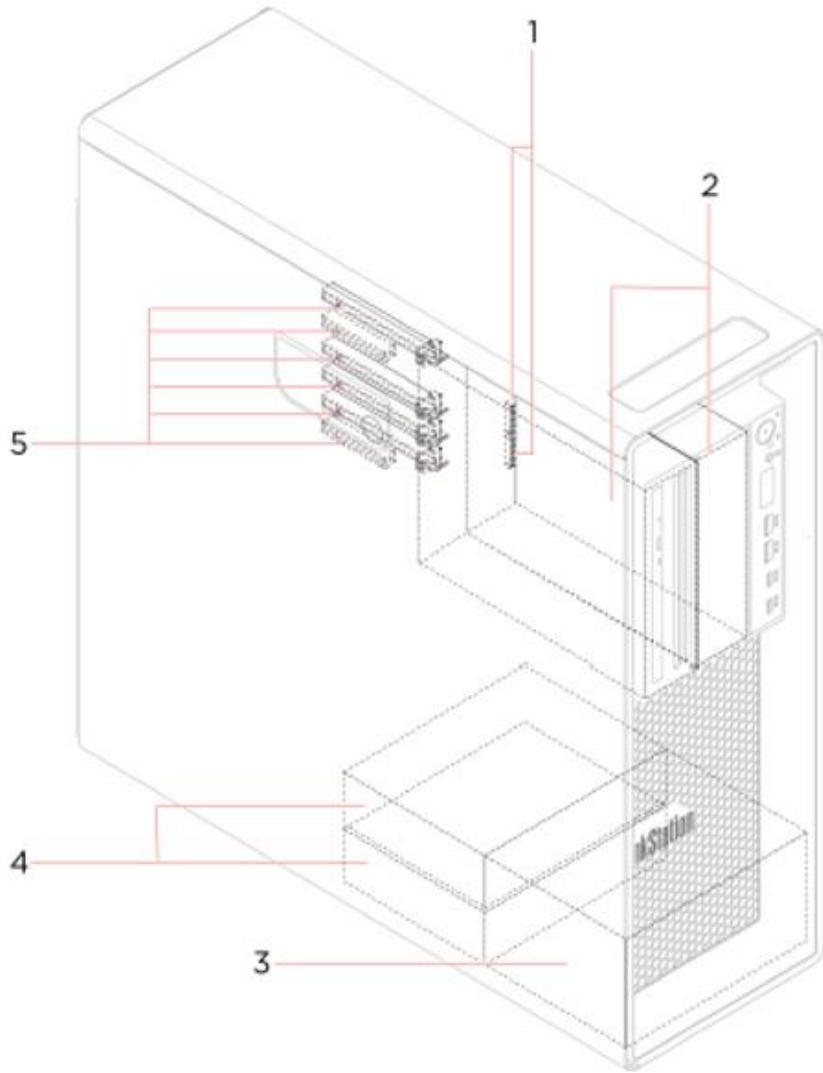
+ P520 Bay Additions and/or Conversions matrix



Bay	Convert or Add	Part Number Required
Bay 1	No Conversion Available Aftermarket	
Bay 2	5.25" Flex Bays support the following (2x)	
Front access 3.5" Drive	ThinkStation Front Access Storage Enclosure	4XF0N87467
	ThinkStation Front Access Storage Enclosure	4XF0N87467
	+	+
Front access 2.5" Drive	ThinkStation 2.5" to 3.5" Conversion Kit	4XF0G94539
ODD Drive	ThinkStation Multi-Drive Conversion Kit for ODD and HDD	4XF0N91548
Bay 3		
2.5" or 3.5" Drives	ThinkStation Storage Bay Upgrade Kit – P520 Note – 1 kit provides capability for two drives	4XH0S69186
Bay 4	No Conversion Parts Required	
Bay 5	No Conversion Parts Required	
Bay 6		
M.2 Drive	ThinkStation M.2.SSD Adapter-high profile	4XH0L08578

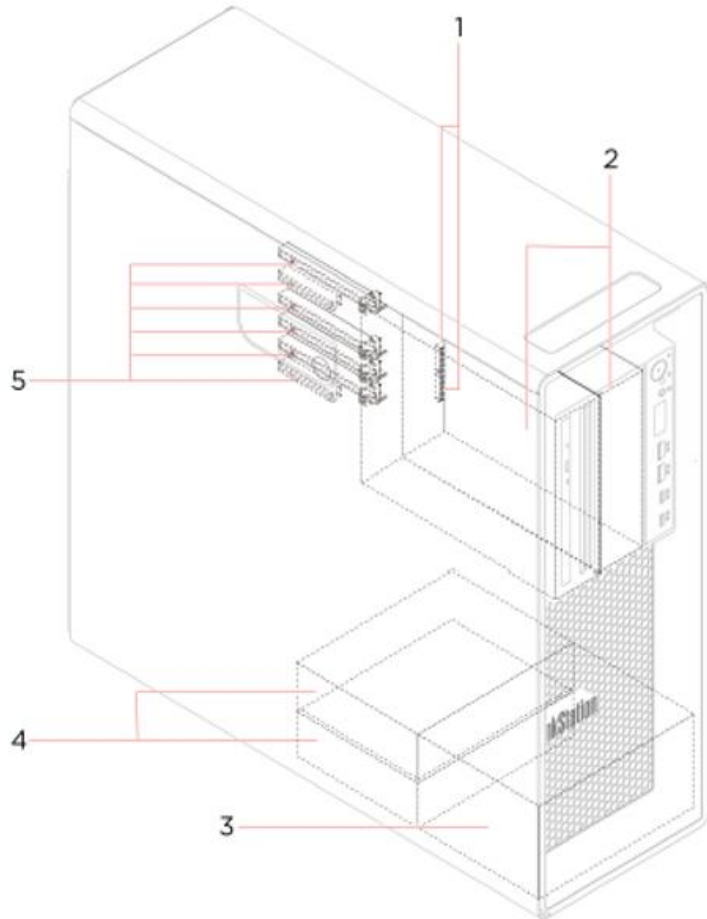
Note: Only 1x FASE (front accessible storage enclosure) supported as system has one eSATA port.

+ P620 Bay and Slot Schematic



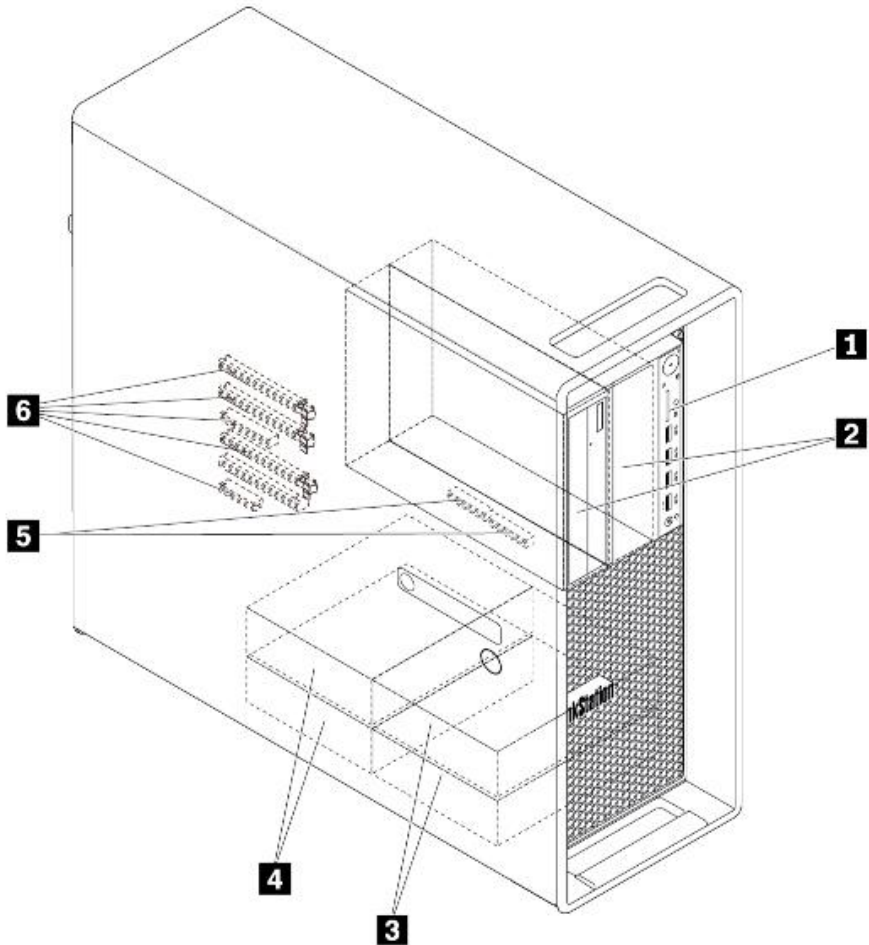
Bay Number	Standard or Optional	Bay Type
1	Optional	2 x M.2 SSD slots (on Motherboard)
2	Optional	Flex Bay – Multiple configuration options
3	Optional	2x 3.5" or 2.5" Drive Bays
4	Standard	2x 3.5" or 2.5" Drive Bays
5	Standard	PCIe Slots (on Motherboard)

P620 Storage Upgrade



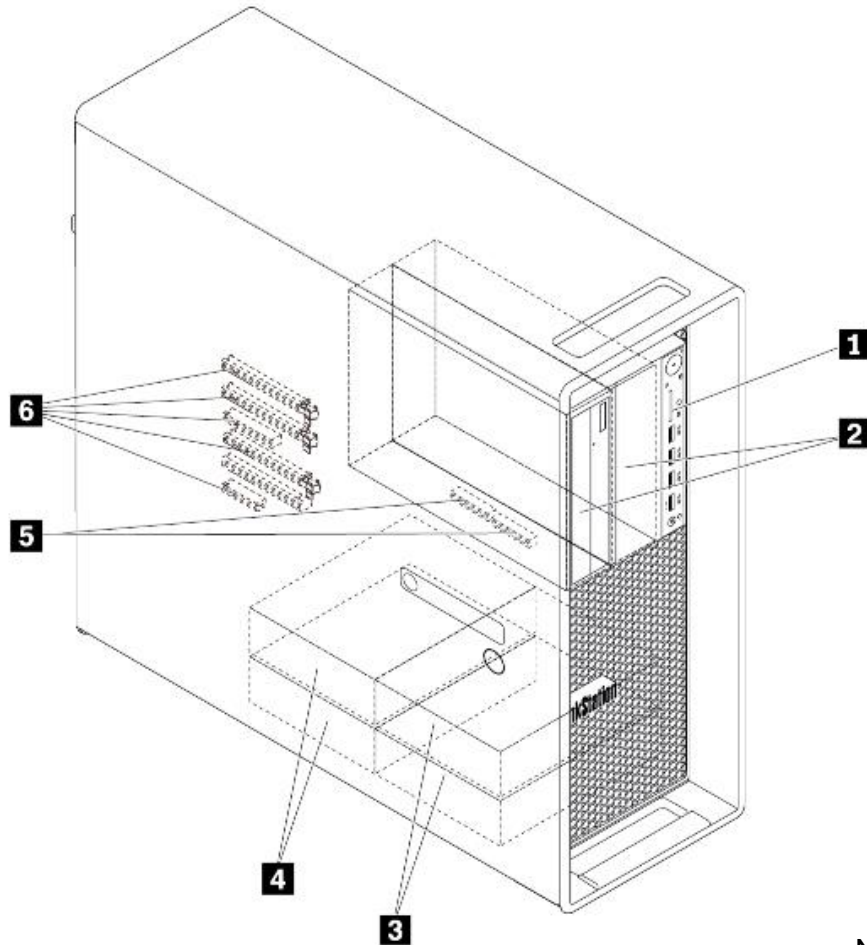
Location	Kits	Option PN	Picture
Area 1	No Kits Required		
Bay 2	Upper 5.25" Bay support the following Note: only one device in that list for Bay 2 can be used at a time		
3.5" Drive	Front Access Enclosure	4XF0N87467	
2.5" Drive	Front Access Enclosure + 2.5" to 3.5" Conversion Kit	4XF0N87467 + 4XF0G94539	
ODD Drive	Multi-Drive Conversion Kit	4XF0N91548	
Slim 9.0 DVD Burner	Multi-Drive Conversion Kit + Slim 9.0 DVD Burner	4XF0N91548 + 4XA1L13934	
Bay 3			
3.5" or 2.5" drive	Storage Bay Upgrade Kit-P520 Note: 1 kit provides capability to support two drives	4XH0S69186	
Bay 4	No Kits Required for 1 st HDD, FRU 00XL269 is needed for 2 nd HDD		
Area 5			
M.2 Drive	M.2.SSD Adapter-high profile Note: limited to Gen3 bandwidth	4XH0L08578	
M.2 Drive	Quad AIC M.2 SSD Adapter Note: limited to Gen3 bandwidth	4XH0V09766	

+ P720 Bay and Slot Schematic



Bay Number	Standard or Optional	Bay Type
1	Optional	SD Card Reader Slot
2	Optional (2x)	Flex Bay – Multiple configuration options
3	Optional	2x 3.5" or 2.5" Drive Bays
4	Standard	2x 3.5" or 2.5" Drive Bays
5	Standard	2 x M.2 SSD slots (on Motherboard)
6	Standard	PCIe Slots (on Motherboard)

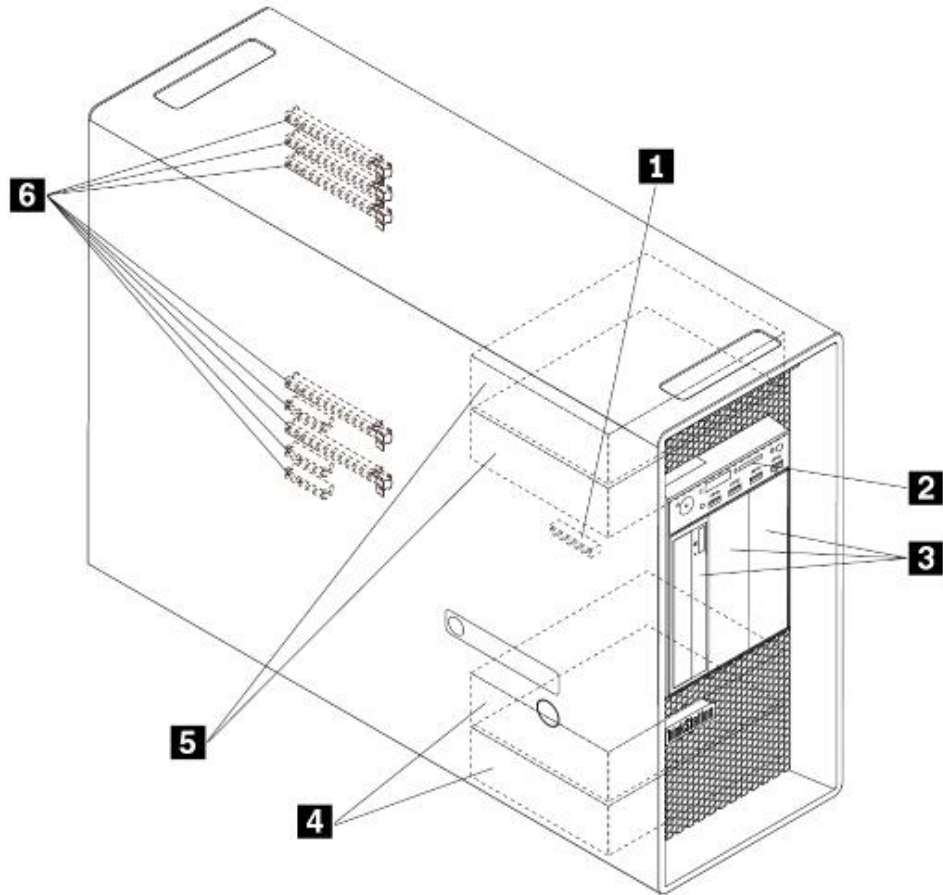
+ P720 Bay Additions and/or Conversions matrix



Bay	Convert or Add	Part Number Required
Bay 1	No Conversion Available Aftermarket	
Bay 2	5.25" Flex Bays support the following (2x)	
Front access 3.5" Drive	ThinkStation Front Access Storage Enclosure	4XF0N87467
	ThinkStation Front Access Storage Enclosure	4XF0N87467
	+	+
Front access 2.5" Drive	ThinkStation 2.5" to 3.5" Conversion Kit	4XF0G94539
ODD Drive	ThinkStation Multi-Drive Conversion Kit for ODD and HDD	4XF0N91548
Bay 3		
2.5" or 3.5" Drives	ThinkStation Storage Bay Upgrade Kit – P720 Note – 1 kit provides for two drive bays	4XH0R02226
Bay 4	No Conversion Parts Required	
2.5" or 3.5" Drives		
Bay 5	No Conversion Parts Required	
Bay 6		
M.2 Drive	ThinkStation M.2.SSD Adapter-high profile	4XH0L08578

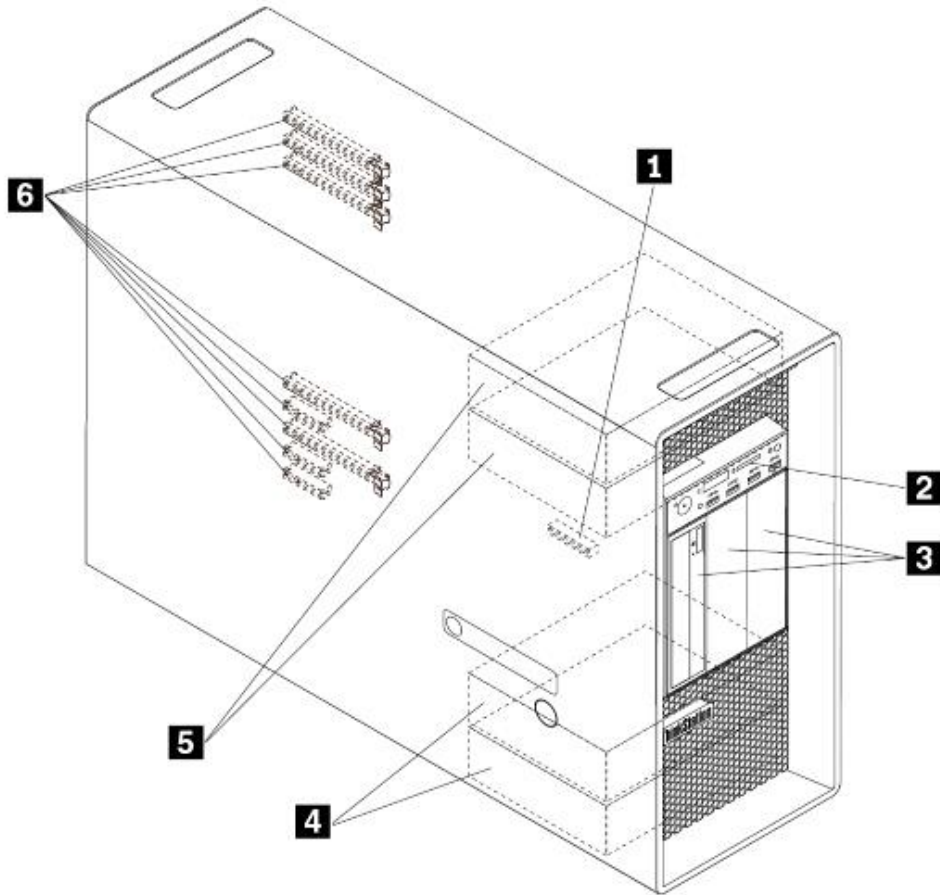
Note: Only 1x FASE (front accessible storage enclosure) supported as system has one eSATA port.

+ P920



Bay Number	Standard or Optional	Bay Type
1	Optional	2 x M.2 SSD slots (on Motherboard)
2	Optional	SD Card Reader Slot
3	Optional (3x)	Flex Bay – Multiple configuration options
4	Standard	2x 3.5" or 2.5" Drive Bays
5	Optional	2x 3.5" or 2.5" Drive Bays
6	Standard	PCIe Slots (on Motherboard)

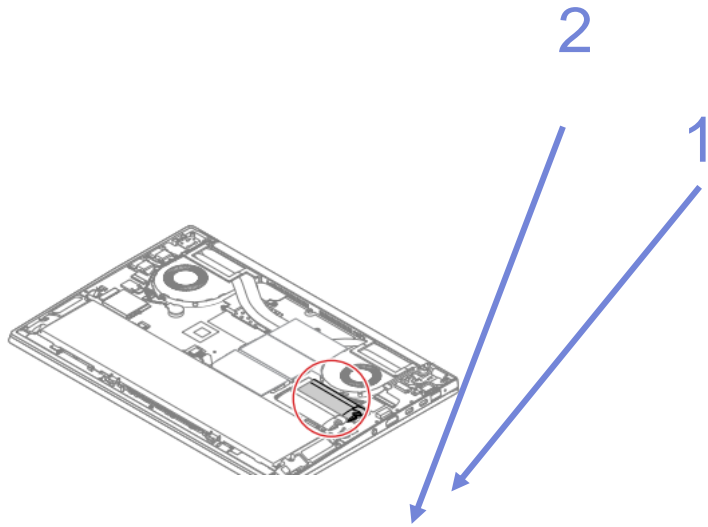
+ P920 Bay Additions and/or Conversions matrix



Bay	Convert or Add	Part Number Required
Bay 1	No Conversion Parts Required	
Bay 2	No Conversion Available Aftermarket	
Bay 3	5.25" Flex Bays support the following (3x)	
Front access 3.5" Drive	ThinkStation Front Access Storage Enclosure	4XF0N87467
	ThinkStation Front Access Storage Enclosure	4XF0N87467
	+	
Front access 2.5" Drive	ThinkStation 2.5" to 3.5" Conversion Kit	4XF0G94539
ODD Drive	ThinkStation Multi-Drive Conversion Kit for ODD and HDD	4XF0N91548
Bay 4		
2.5" or 3.5" Drives	No Conversion Parts Required	
Bay 5		
2.5" or 3.5" Drives	ThinkStation Storage Bay Upgrade Kit – P920 Note – 1 kit provides for two drive bays	4XH0R02227
Bay 6		
M.2 Drive	ThinkStation M.2.SSD Adapter-high profile	4XH0L08578

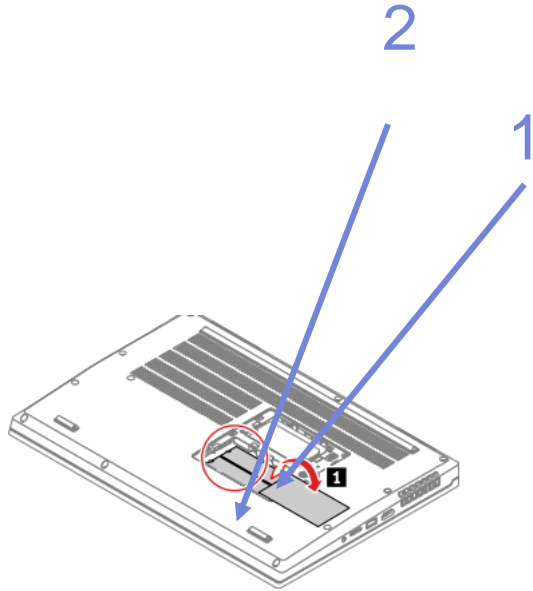
Note: Only 1x FASE (front accessible storage enclosure) supported as system has one eSATA port.

P1 Storage Upgrade



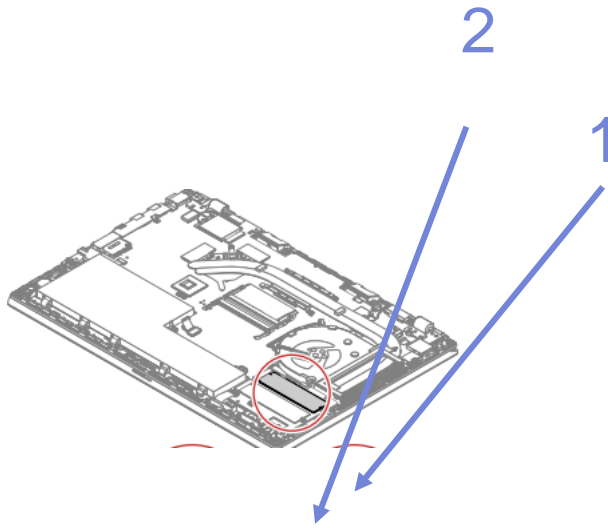
- Standard Two M.2 Slots for M.2 2280 SSD
- No Bracket/Kit option needed for upgrade

P15/P17/T15g Storage Upgrade



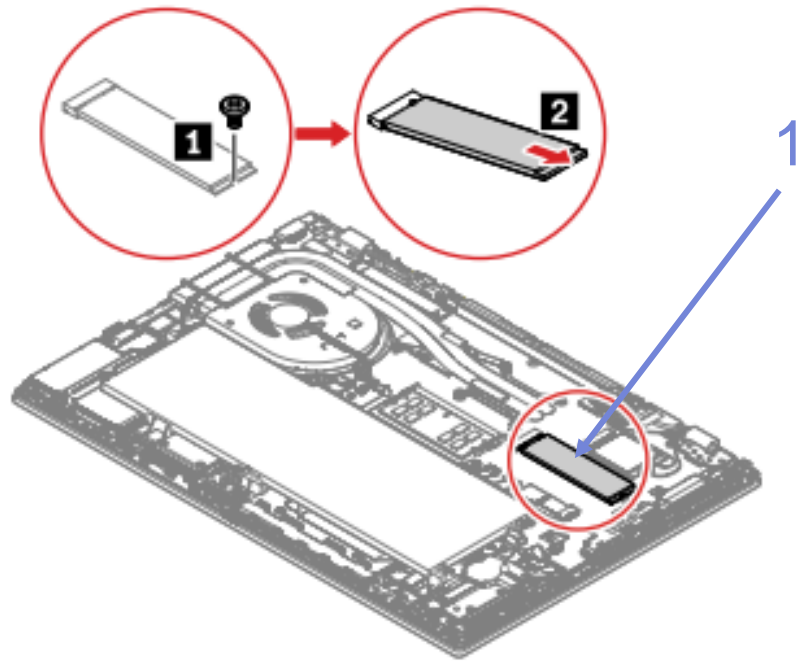
- Standard Two M.2 Slots for M.2 2280 SSD
- No Bracket/Kit option needed for upgrade

P15v Storage Upgrade



- Standard Two M.2 Slots for M.2 2280 SSD
- No Bracket/Kit option needed for upgrade*

P14s/P15s Storage Upgrade



- Standard one M.2 Slot for M.2 2280 SSD
- No Bracket/Kit option needed for upgrade

Storage Options For MWS

For more detail, please reference the [OCM](#) and/or [SmartFind](#)

Option Compatibility Matrix (September 2020)

Description	Part	P14s AMD G1 (#20Y1,20Y2)	P15v Gen 1 (#20TQ,20TR)	P1 Gen 3 (#20TH,20TJ)	P15 Gen 1 (#20ST,20SU)	P17 Gen 1 (#20SN,20SQ)	P14s Gen 1 (#20S4,20S5)	P15s Gen 1 (#20T4,20T5)	P73 (#20QR,20QS)	P43s (#20RH,20RJ)	P53 (#20QN,20QQ)	P1 Gen 2 (#20QT,20QU)	P53s (#20N6,20N7)	P72 (#20MB,20MC)	P1 (#20MD,20ME)	P52 (#20M9,20MA)	P52s (#20LB,20LC)	P71 (#20HK,20HL)	P51 (#20HH,20HU)	P51s (#20HB,20HC,20JY,20K0)
ThinkPad 1TB 5400RPM 6Gb/s 2.5" SATA Hard Drive	4XB0H30206																			
ThinkPad 1TB 5400rpm 7mm 2.5" Hard Drive	4XB0K48493																	x	x	x
ThinkPad 2TB 5400rpm 7mm 2.5" SATA3.0 Hard Drive	4XB0P21128																			
ThinkPad 2TB 5400rpm SATA 7mm 2.5" Hard Drive	4XB0S69181							x						x		x	x			
ThinkPad 500G 7200rpm 7mm 2.5" Hard Drive	4XB0K48494																			
ThinkPad 500GB 7200rpm FIPS 2.5" 7mm Hard Drive	4XB0S69178							x		x	x			x		x				
ThinkPad 256GB 2.5" 7mm SATA OPAL SSD	4XB0Q59839																x			
ThinkPad 512GB 2.5" Solid State Drive	4XB0F86403																			
ThinkPad 256GB PCIe NVMe TLC OPAL M.2 SSD	4XB0N10299													x		x	x	x	x	x
ThinkPad 256GB Intel PCIe NVMe TLC OPAL M.2 SSD	4XB0N10297																			x
ThinkPad 256GB PCIe NVMe OPAL2 M.2 2280 SSD	4XB0W79580	x	x	x	x	x	x	x	x	x	x	x	x	x	x	x				
ThinkPad 512GB PCIe NVMe OPAL2 M.2 2280 SSD	4XB0W79581	x	x	x	x	x	x	x	x	x	x	x	x	x	x	x				
ThinkPad 1TB PCIe NVMe OPAL2 M.2 2280 SSD	4XB0W79582	x	x	x	x	x	x	x	x	x	x	x	x	x	x	x				
ThinkPad 2TB PCIe NVMe OPAL2 M.2 2280 SSD	4XB0W86200		x	x	x	x		x		x	x	x	x	x	x					
ThinkPad 512GB PCIe NVMe TLC OPAL M.2 SSD	4XB0N10300													x	x	x	x	x	x	x
ThinkCentre 512GB M.2 PCIe NVMe SSD	4XB0Q11720													x	x	x		x	x	
ThinkPad QLC 512GB PCIe NVMe M.2 2280 SSD with 32GB Optane Memory	4XB0T83222						x					x								



Storage Options For DTWS

For more detail, please reference the [OCM](#) and/or [SmartFind](#)

Option Compatibility Matrix (September 2020)														
Description	Part	P620(#30E0,30E1)	P340 SFF(#30DK,30DL,30DN)	P340 Tower(#30DH,30DJ,30DM)	P340 Tiny(#30DE,30DF,30DG,30DR,30DS)	P330 Gen2 TWR(#30CY,30D0,30D3)	P330 Gen2 SFF(#30D1,30D2,30D4)	P330 Tiny(#30CF,30CE)	P330 Tower(#30C5,30C6,30C9)	P330 SFF (#30C7,30C8,30CA)	P520c(#30BX,30BY,30C0)	P520(#30BE,30BF,30BN,30BP,30BQ)	P920(#30BC,30BD,30BV)	P720(#30BA,30BB,30BU)
Lenovo 500GB 7200 rpm 2.5" 6Gbps SATA Hard Drive	4XB0M60786							x						
ThinkPad 500GB 7200rpm FIPS 2.5" 7mm Hard Drive	4XB0S69178											x	x	x
Lenovo 1TB 7200 rpm Serial ATA Hard Drive	45J7918		x	x		x	x		x	x	x	x	x	x
ThinkCentre 1TB 7200rpm SATA 7mm 2.5" Hard Drive	4XB0R48453							x						
ThinkStation 1TB 7200rpm 3.5" SATA 6Gbps Enterprise Hard Drive	4XB0X87801					x	x		x		x	x	x	x
ThinkStation 2TB 7200rpm 3.5" SATA 6Gbps Hard Drive	4XB0F18667		x	x		x	x		x	x	x	x	x	x
ThinkStation 4TB 7200rpm SATA 3.5" Hard Drive	4XB0X01142					x	x		x	x	x	x	x	x
ThinkStation 6TB 7200rpm SATA 3.5" 6Gbps Hard Drive	4XB0X87802					x	x					x	x	x
ThinkStation 10TB 7200rpm SATA 3.5" 6Gbps Hard Drive	4XB0X87803										x	x	x	x
ThinkStation 256GB OPAL 2.5" Solid State Drive	4XB0N67290										x	x	x	x
ThinkPad 512GB 2.5" Solid State Drive	4XB0F86403					x	x		x	x		x	x	x
Lenovo 128GB M.2 PCIe NVMe SSD	4XB0N26469							x						
ThinkCentre 256GB M.2 TLC PCIe OPAL 2.0 SSD	4XB0P01014										x	x		
ThinkPad 256GB Intel PCIe NVMe TLC OPAL M.2 SSD	4XB0N10297										x	x	x	x
ThinkPad 256GB PCIe NVMe TLC OPAL M.2 SSD	4XB0N10299					x	x	x	x	x				
ThinkPad 256GB PCIe NVMe OPAL2 M.2 2280 SSD	4XB0W79580	x	x	x	x	x	x	x			x	x	x	x
Lenovo 512GB PCIe NVMe M.2 SSD	4XB0M52450										x	x	x	x
ThinkCentre 512GB M.2 PCIe NVMe SSD	4XB0Q11720					x	x	x	x	x	x	x	x	x
ThinkPad 512GB PCIe NVMe OPAL2 M.2 2280 SSD	4XB0W79581	x	x	x	x	x	x	x			x	x	x	x
ThinkPad 1TB SAMSUNG PCIe NVMe TLC OPAL M.2 SSD	4XB0N10301					x	x	x	x	x	x	x	x	x
ThinkPad 1TB PCIe NVMe OPAL2 M.2 2280 SSD	4XB0W79582	x	x	x	x	x	x	x			x	x	x	x
ThinkStation 2TB PCIe NVMe OPAL2 M.2 SSD	4XB0S74999										x	x	x	x
ThinkPad 2TB PCIe NVMe OPAL2 M.2 2280 SSD	4XB0W86200		x	x	x	x	x				x	x	x	x



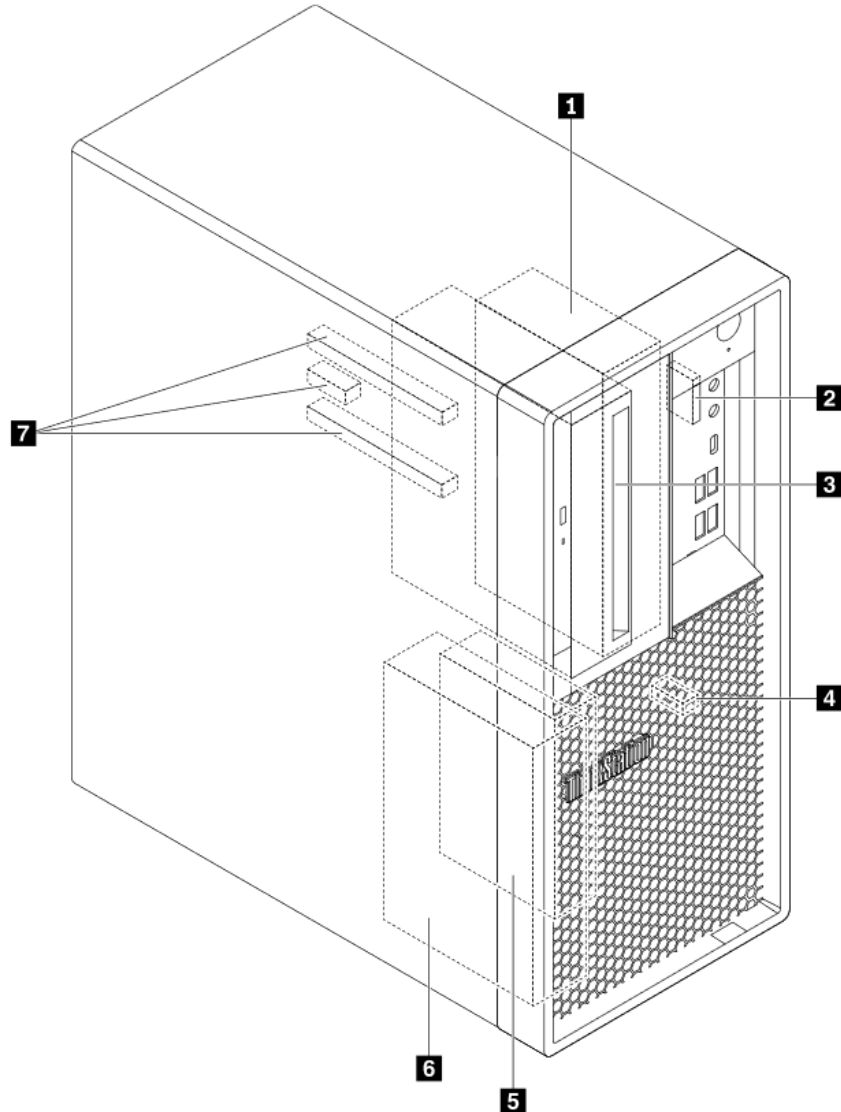


Desktop Workstation- 2019

➔ Products

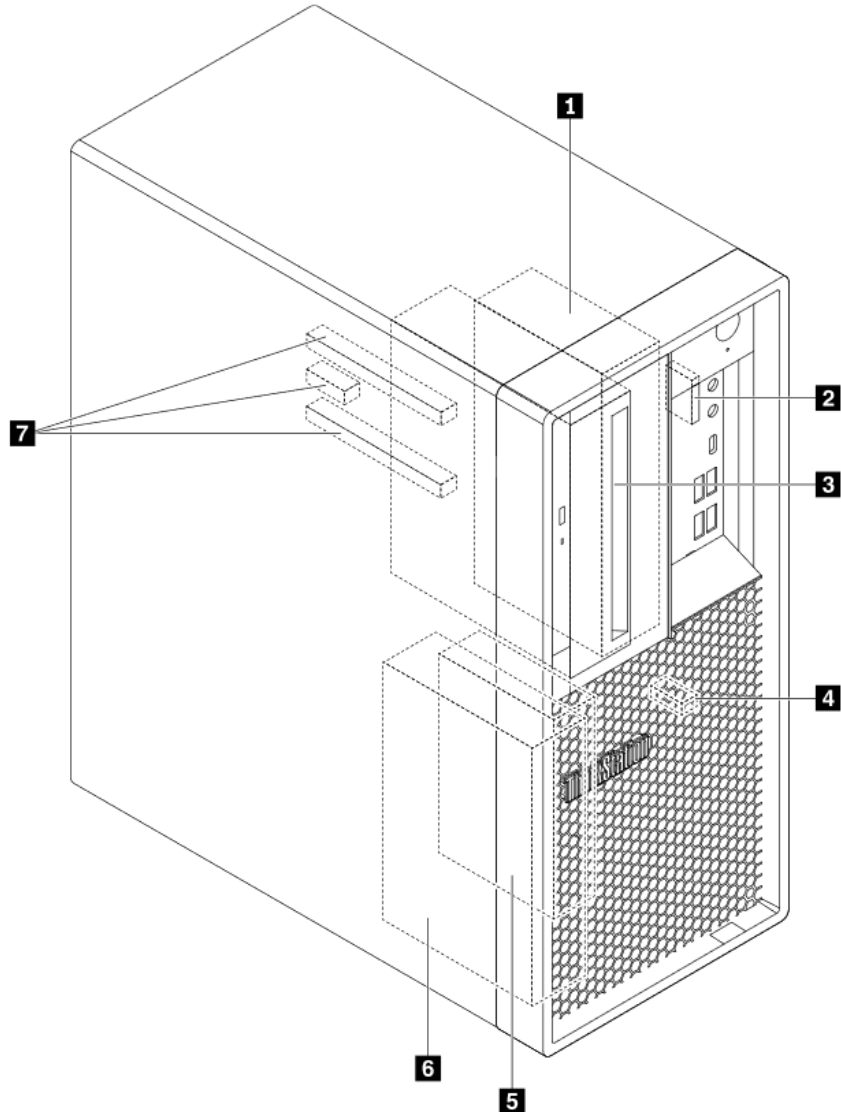


+ P330 Tower Bay and Slot Schematic



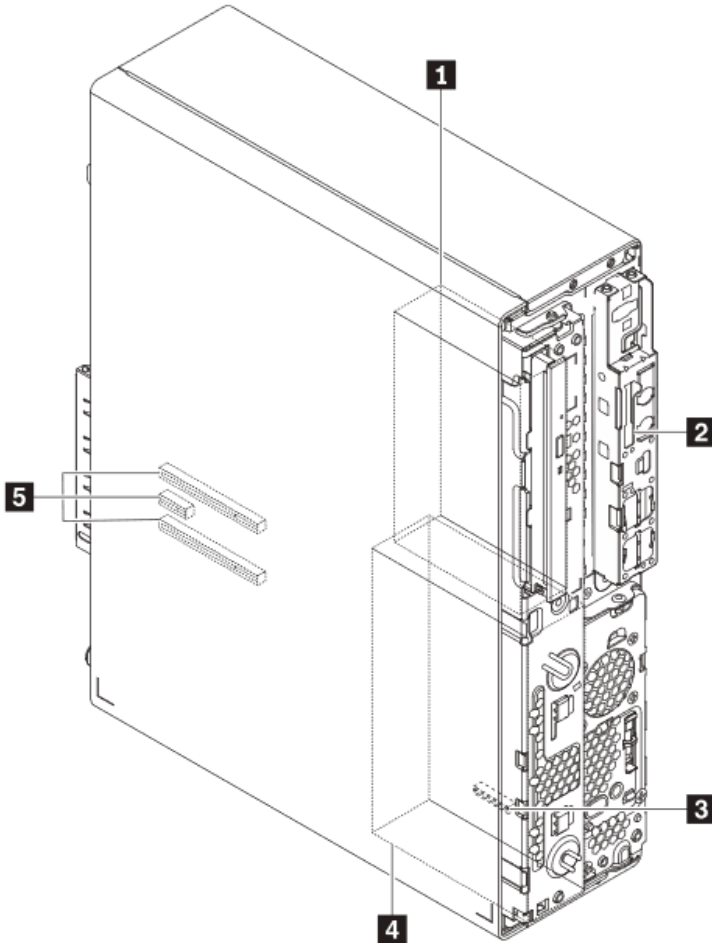
Bay Number	Standard or Optional	Bay Type
1	Optional	3.5" or 2.5" Drive Bay
2	Optional	SD Card Reader Slot
3	Optional	Flex Bay – Multiple configuration options
4	Standard	M.2 SSD slot (on Motherboard)
5	Optional	2.5" Storage Bay
6	Standard	3.5" or 2.5" Drive Bay
7	Standard	PCIe Slots (on Motherboard)

+ P330 TWR Bay Additions and/or Conversions matrix



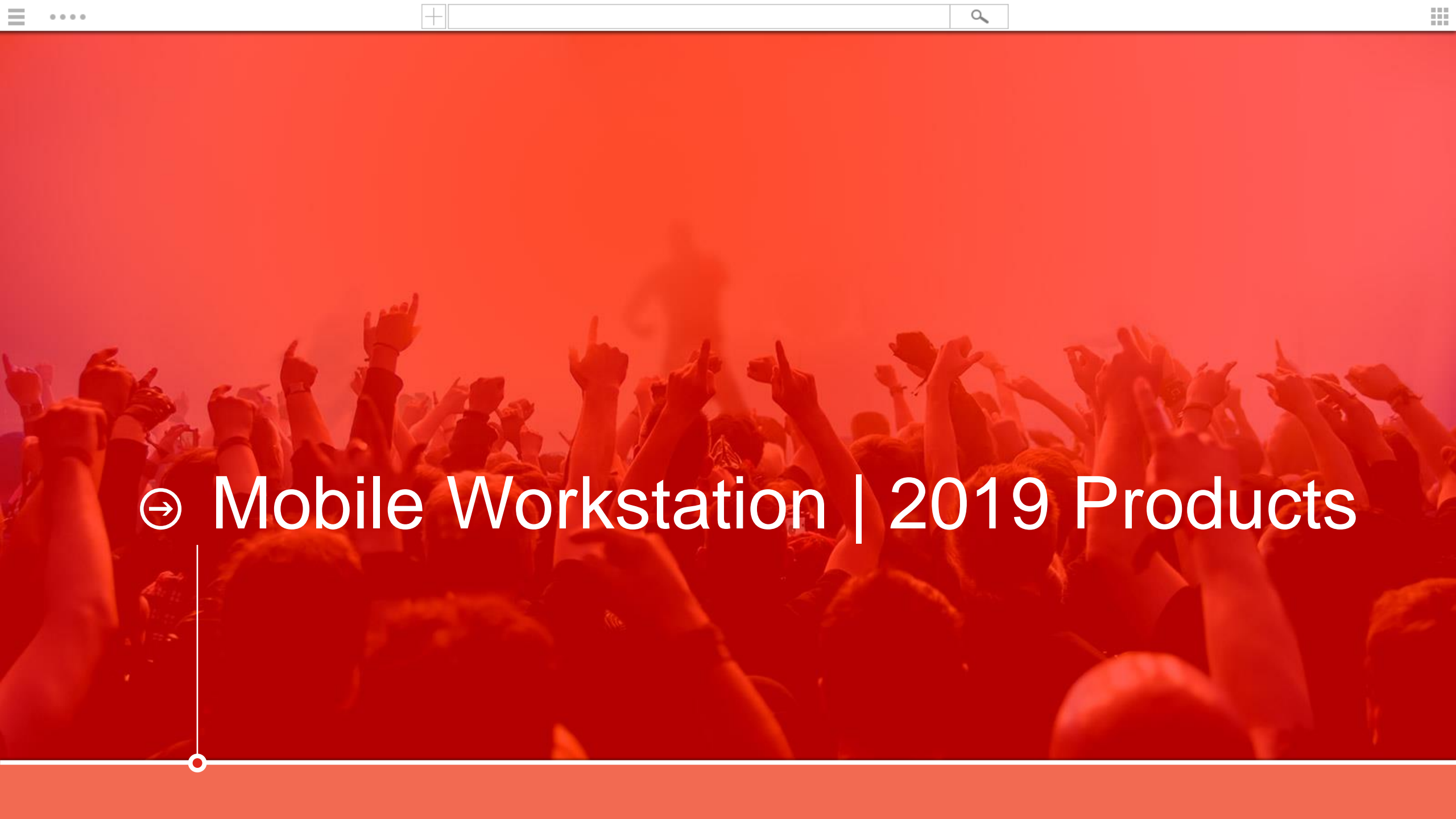
Bay	Convert or Add	Part Number Required
Bay 1		
	3.5" Drive	ThinkCentre 3.5" HDD Bracket Kit---P330 TWR ThinkCentre 3.5" HDD Bracket Kit---P330 TWR
		4XF0Q63396 4XF0Q63396
		+
	2.5" Drive	ThinkStation 2.5" to 3.5" Conversion Kit
		4XF0P01009
Bay 2	No Conversion Available Aftermarket	
Bay 3	5.25" Flex Bay supports the following	
	3.5" Drive	ThinkStation Front Access Storage Enclosure
		4XF0N87467
	2.5" Drive	ThinkStation Front Access Storage Enclosure + ThinkStation 2.5" to 3.5" Conversion Kit
		4XF0N87467 + 4XF0G94539
Bay 4	No Conversion Needed or Available Aftermarket	
Bay 5	Not available if 2x P2000 Graphics cards are installed	
	2.5" Drive	ThinkCentre Tower 2.5" Storage Kit---P330 TWR
		4XF0P01009
Bay 6	No conversion Required	
	3.5" Drive	
	2.5" Drive	ThinkStation 2.5" to 3.5" Conversion Kit
		4XF0P01009
Bay 7	PCIe Card Slots – no conversion required	

+ P330 SFF



Bay Number	Standard or Optional	Bay Type
1	Optional	2.5" Drive Bay
2	Optional	SD Card Reader Slot
3	Standard	M.2 SSD slot (on Motherboard)
4	Standard	3.5" or 2.5" Drive Bay
5	Standard	PCIe Card Slots

Bay	Convert or Add	Part Number Required
Bay 1		
2.5" Drive	ThinkCentre Slim 2.5" Storage Kit---P330 SFF	4XF0P01010
Bay 2	No Conversion Available Aftermarket	
Bay 3	No Conversion Parts Required	
Bay 4		
3.5" Drive	No Conversion Kit Required	
2.5" Drive	ThinkStation 2.5" to 3.5" Conversion Kit	4XF0P01009
Bay 5	PCIe Card Slots - no conversion required	

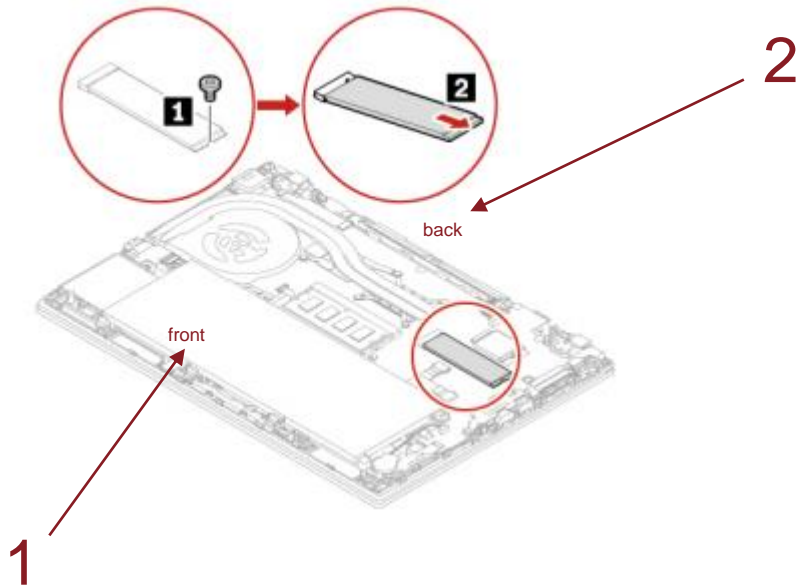


➔ Mobile Workstation | 2019 Products



+ P43s

Bottom View



M.2 2280



Lenovo

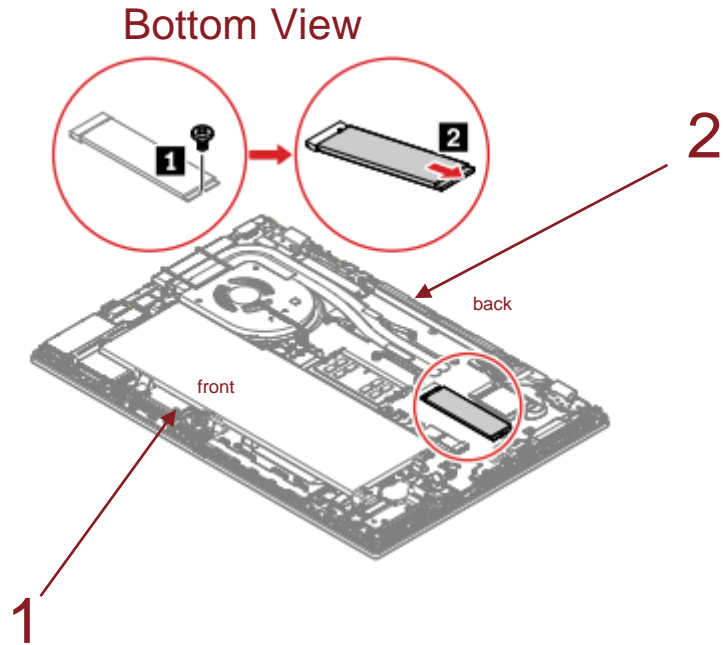
Bay	Standard or Optional	Description
1	Standard	M.2 Slot for M.2 2280 SSD

Bay	Convert or Add	Part Number Required
1	M.2 SSD	None
	No Conversion Parts Required* Only one slot available Refer to manual (link below) for removal/installation guidance	

*Max M.2 SSD supported is 2TB

For more detail, please reference the hardware maintenance manual:
https://download.lenovo.com/pccbbs/mobiles_pdf/t490_p43s_hmm_en.pdf

+ P53s



M.2 2280



Lenovo

Bay	Standard or Optional	Description
1	Standard	M.2 Slot for M.2 2280 SSD

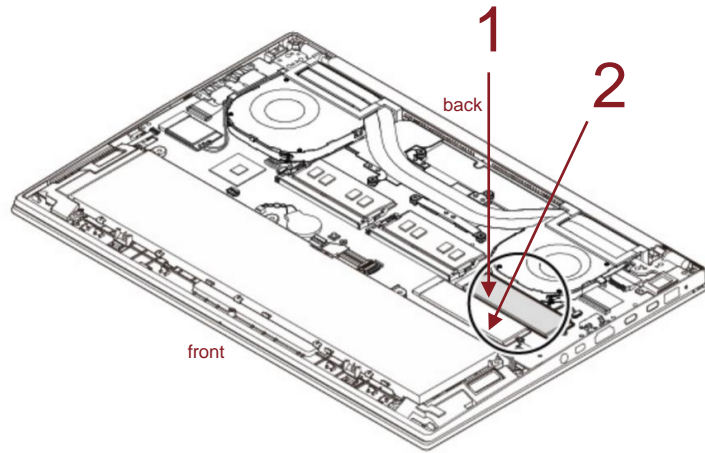
Bay	Convert or Add	Part Number Required
1		
	M.2 SSD	No Conversion Parts Required* Only one slot available Refer to manual (link below) for removal/installation guidance
		None

*Max M.2 SSD supported is 2TB

For more detail, please reference the hardware maintenance manual:
https://download.lenovo.com/pccbbs/mobiles_pdf/tp_t590_p53s_hmm_en.pdf

+ P1 Gen 2

Bottom View



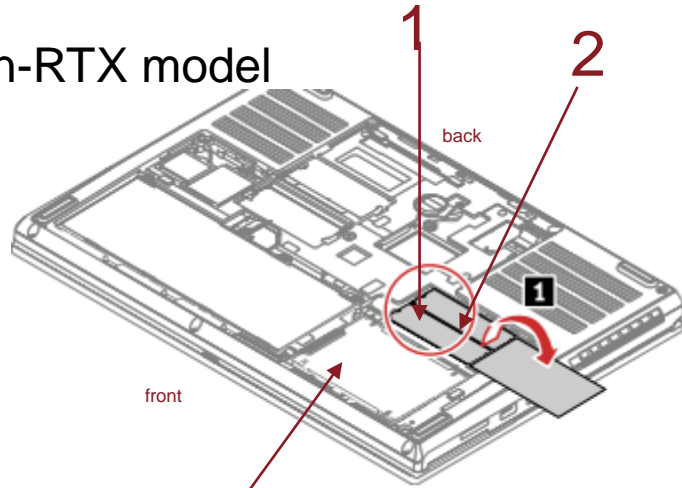
Bay	Standard or Optional	Description
1	Standard	M.2 Slot for M.2 2280 SSD
2	Standard	M.2 Slot for M.2 2280 SSD

Bay		Convert or Add	Part Number Required
1	M.2 SSD	No Conversion Parts Required	None
2	M.2 SSD	No Conversion Parts Required	None

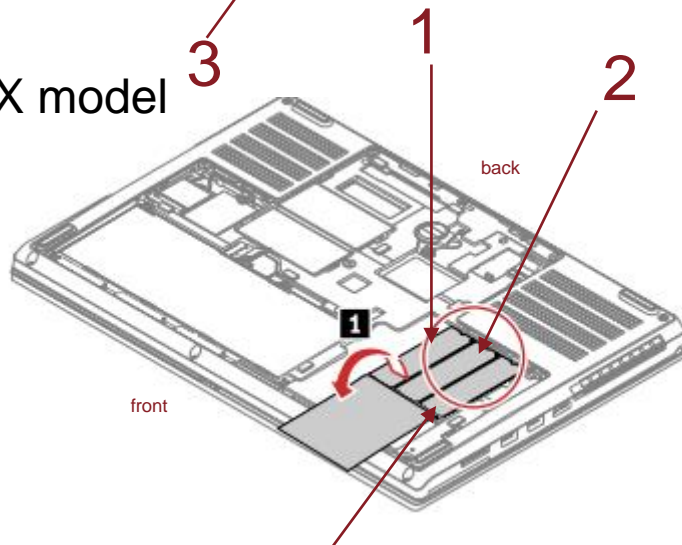
+ P53

Bottom View

Non-RTX model



RTX model



Lenovo

3

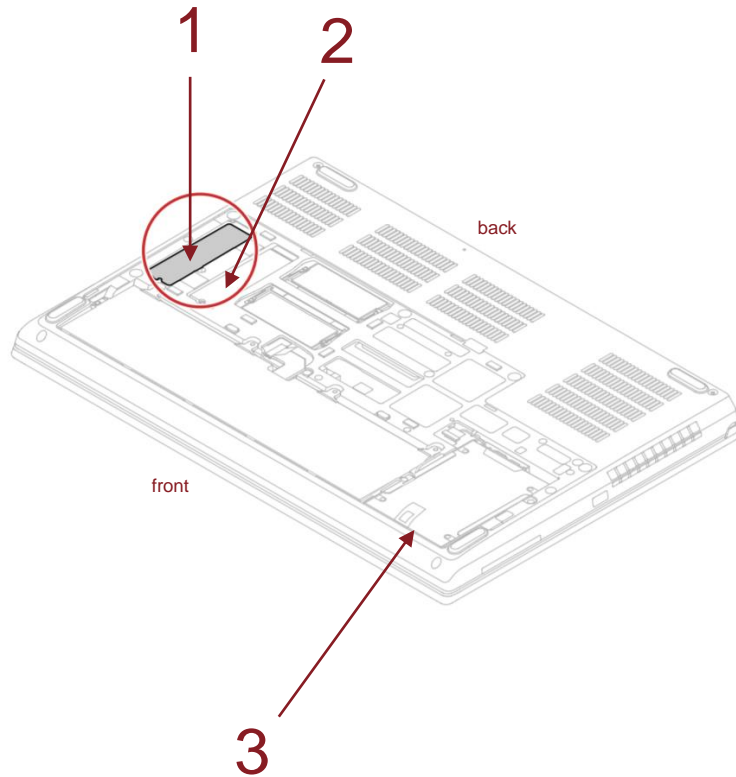
Bay	Standard or Optional	Description
1	Standard	M.2 Slot for M.2 2280 SSD
2	Standard	M.2 Slot for M.2 2280 SSD
3	Optional	M.2 Slot for M.2 2280 SSD (RTX models only)
3	Optional	SATA Bay for 2.5" 7mm SATA Drive (Non RTX models only)

Bay		Convert or Add	Part Number Required
1	M.2 SSD	No Conversion Parts Required	None
2	M.2 SSD	No Conversion Parts Required	None
3	M.2 SSD	No Conversion Parts Required (available in RTX models only)	None
3	2.5" SATA	ThinkPad Mobile WorkStation HDD Bracket (available in non RTX models only)	4XH0S69185

For more detail, please reference the hardware maintenance manual:
https://download.lenovo.com/pccbbs/mobiles_pdf/tp_p53_hmm_en.pdf

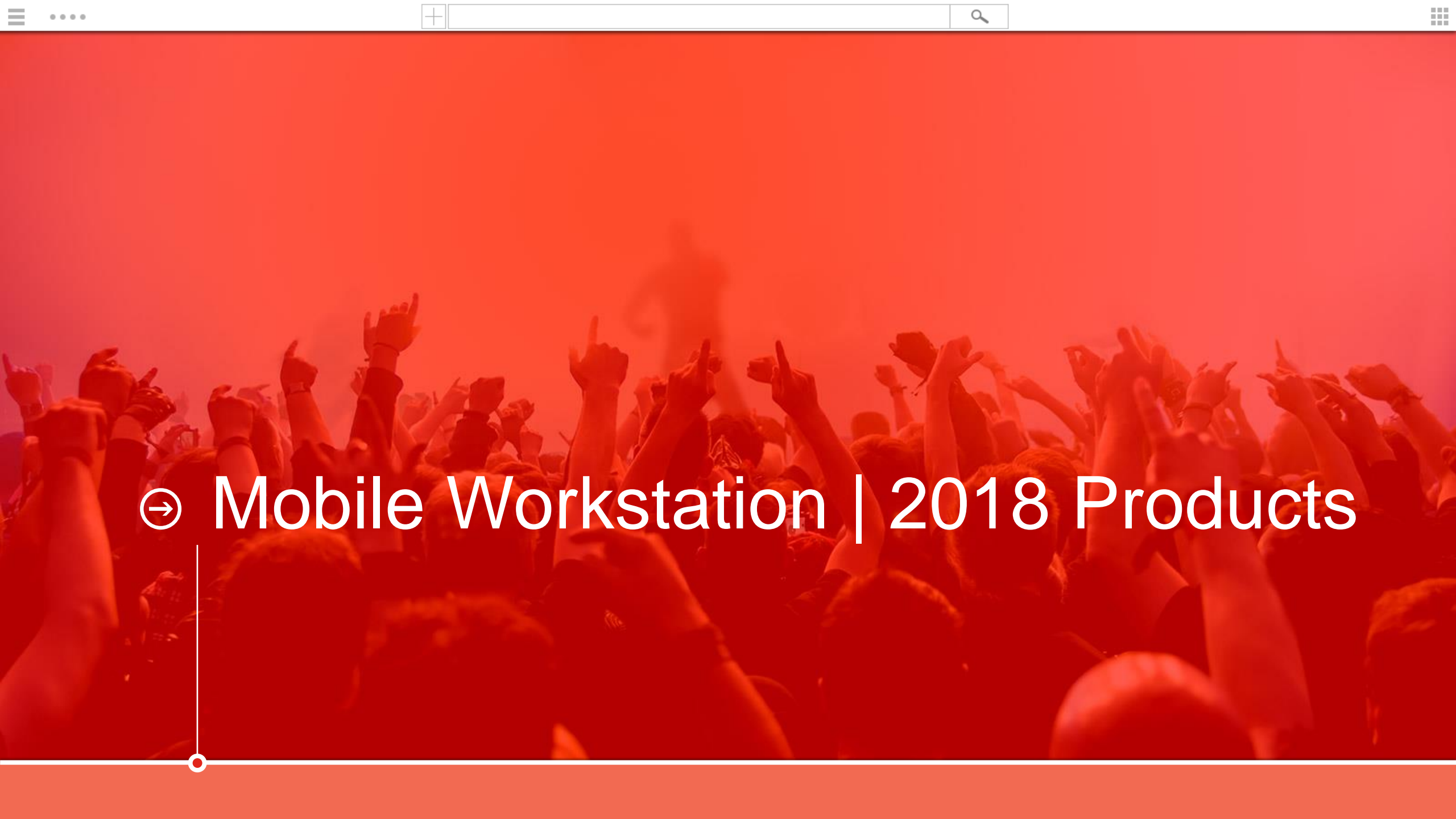
+ P73

Bottom View



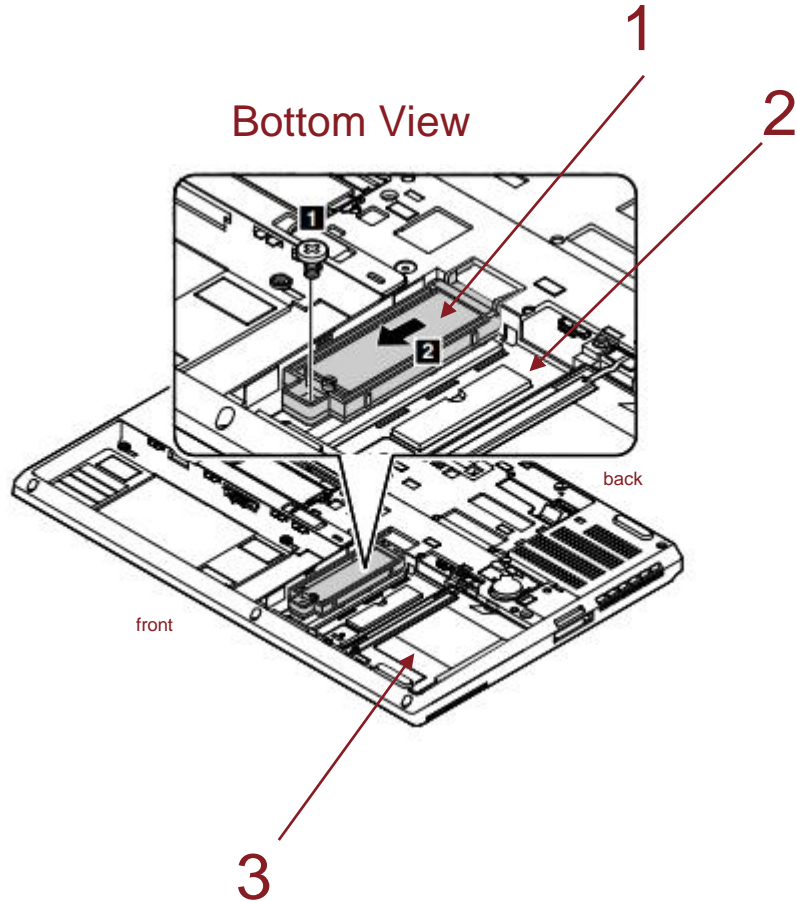
Bay	Standard or Optional	Description
1	Standard	M.2 Slot for M.2 2280 SSD
2	Standard	M.2 Slot for M.2 2280 SSD
3	Standard	SATA Bay for 2.5" 7mm SATA Drive

Bay		Convert or Add	Part Number Required
1	M.2 SSD	No Conversion Parts Required	None
2	M.2 SSD	No Conversion Parts Required	None
3	2.5" SATA	ThinkPad Mobile WorkStation HDD Bracket	4XH0S69185



➔ Mobile Workstation | 2018 Products

+ P51

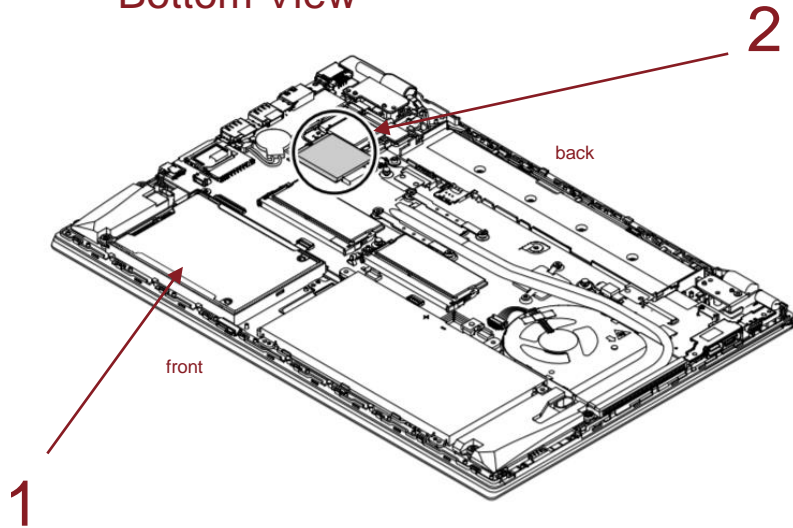


Bay	Standard or Optional	Description
1	Standard	M.2 Slot for M.2 2280 SSD
2	Standard	M.2 Slot for M.2 2280 SSD
3	Standard	SATA Bay for 2.5" 7mm SATA Drive

Bay		Convert or Add	Part Number Required
1	M.2 SSD	ThinkPad P50/P51 M.2 PCIe SSD Tray	4XB0K59917
2	M.2 SSD	ThinkPad P50/P51 M.2 PCIe SSD Tray	4XB0K59917
3	2.5" SATA	ThinkPad Mobile Workstation Storage Kit	4XB0L63274

+ P52s

Bottom View



M.2 2280



M.2 2242



Lenovo

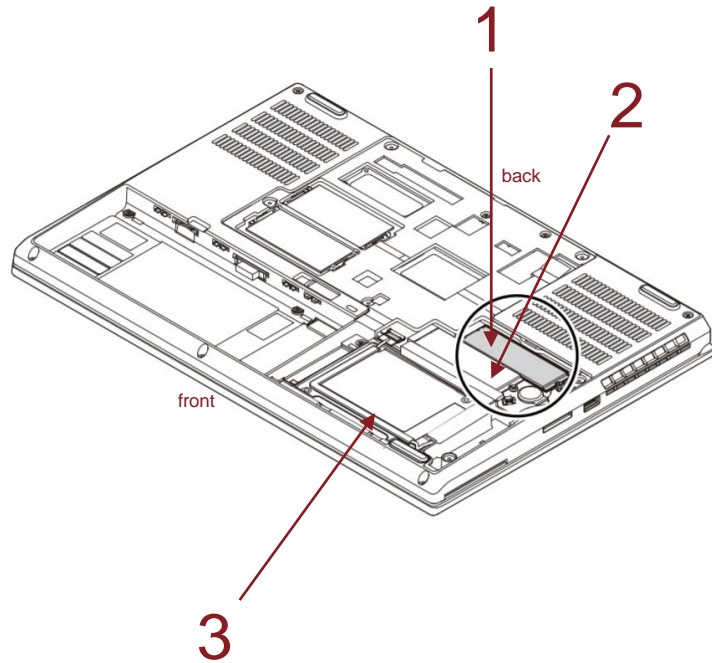
Bay	Standard or Optional	Description
1	Standard	SATA Bay for 2.5" 7mm SATA Drive <u>OR</u> M.2 2280 SSD
2	Standard	M.2 Slot for M.2 2242 SSD <u>OR</u> Optane Memory Module*
		*Bay 2 upgrades available for non-WWAN configurations ONLY (use same slot)

Bay	Convert or Add	Part Number Required
1		
	M.2 SSD	ThinkPad P52s M.2 SSD Tray
	2.5" SATA	Convert M.2 SSD to 2.5" 7mm SATA Drive
		No Conversion Parts Required*
		*Lenovo-branded 2.5" SATA 7mm include required SATA cable
		*For aftermarket drive conversions, FRU 01ER034 is required
2		
	Add M.2 2242 SSD	None
		No Conversion Parts Required*
		*128GB M.2 2242 SSD or 16GB Optane Memory available at configuration (CTO) for non WWAN models ONLY

For more detail, please reference the hardware maintenance manual:
https://download.lenovo.com/pccbbs/mobiles_pdf/t580_p52s_hmm_en.pdf

+ P52

Bottom View

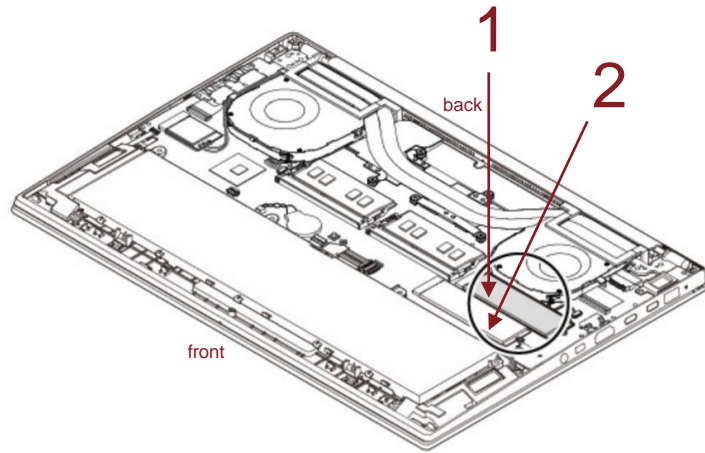


Bay	Standard or Optional	Description
1	Standard	M.2 Slot for M.2 2280 SSD
2	Standard	M.2 Slot for M.2 2280 SSD
3	Standard	SATA Bay for 2.5" 7mm SATA Drive

Bay		Convert or Add	Part Number Required
1	M.2 SSD	No Conversion Parts Required	None
2	M.2 SSD	No Conversion Parts Required	None
3	2.5" SATA	ThinkPad MWS P52/P72 HDD Bracket	4XH0S69185

+ P1 Gen 1

Bottom View

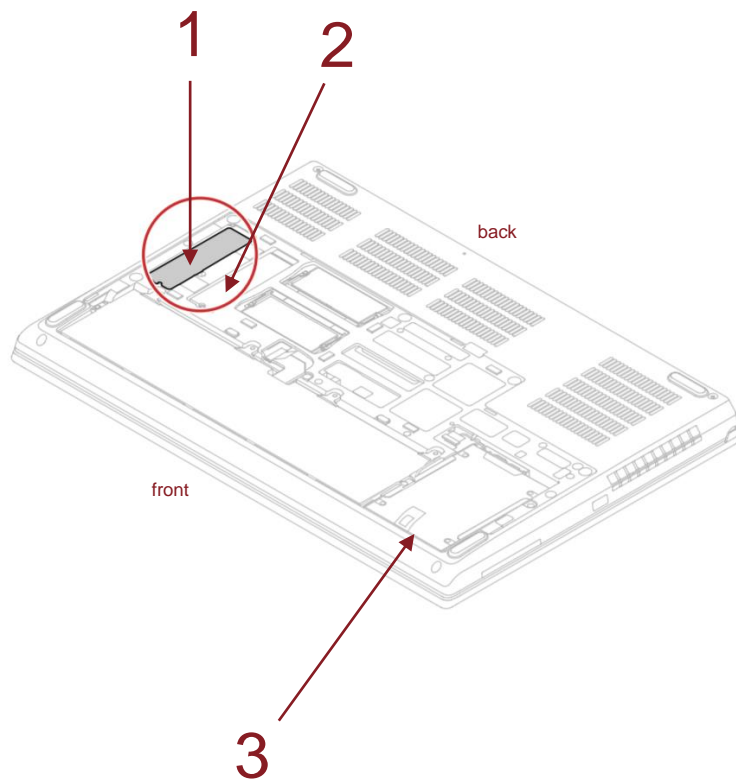


Bay	Standard or Optional	Description
1	Standard	M.2 Slot for M.2 2280 SSD
2	Standard	M.2 Slot for M.2 2280 SSD

Bay		Convert or Add	Part Number Required
1	M.2 SSD	No Conversion Parts Required	None
2	M.2 SSD	No Conversion Parts Required	None

+ P72

Bottom View



Bay	Standard or Optional	Description
1	Standard	M.2 Slot for M.2 2280 SSD
2	Standard	M.2 Slot for M.2 2280 SSD
3	Standard	SATA Bay for 2.5" 7mm SATA Drive

Bay		Convert or Add	Part Number Required
1	M.2 SSD	No Conversion Parts Required	None
2	M.2 SSD	No Conversion Parts Required	None
3	2.5" SATA	ThinkPad MWS P52/P72 HDD Bracket	4XH0S69185