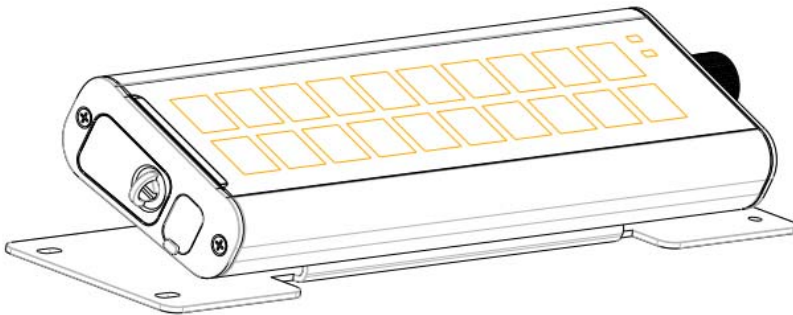




PB20 BUMP BAR
Quick Setup Guide

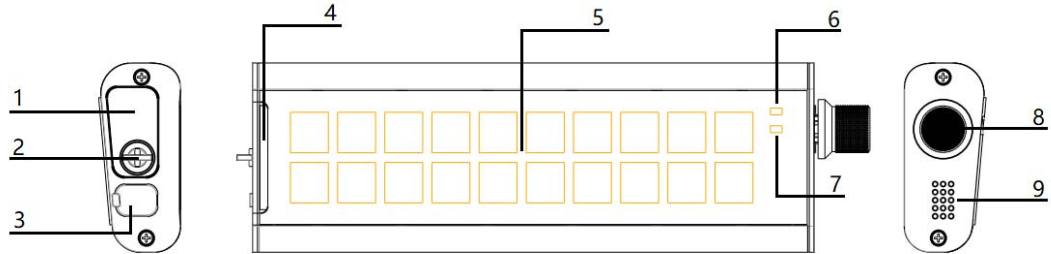


ZOLON TECHNOLOGY LIMITED

PB20 BOX QSG Interior

Contents to be included on simplified QSG:

1. Product Description:



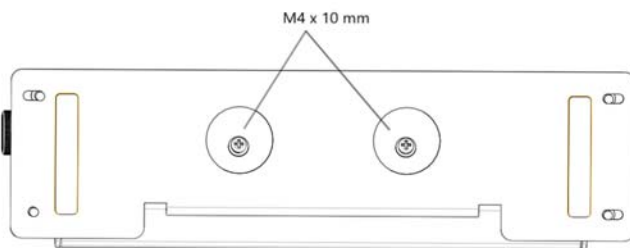
1. Battery Port
2. Hand-Tighten Screws
3. USB Type-C port
4. Paper Template Insert
5. 20 Key Keyboard
6. Status Indicator (3 colors, Yellow/Green/Blue)
7. Low Battery indicator (Red)
8. Knob
9. Buzzer

2. Package contents and line drawings of all contents. This is for easier reference for customer.

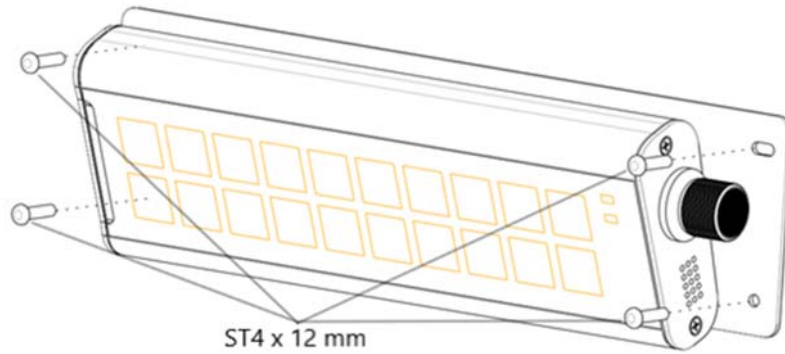
- a. 1 x PB20 Bump Bar Device
- b. 1 x PB20 Mounting Bracket
- c. 2 x AA Batteries (Alkaline)
- d. 1 x USB Dongle
- e. 2 x M4 Screws
- f. 4 x ST4 Screws
- g. 1 x USB Cable
- h. 2 x Key Blank Templates

3. Device installation pictures:

- a. To install PB20 onto mounting bracket, flip the PB20 over to expose the 2 screw holes. Line up the 2 holes on the bracket with the screw holes, use the included M4 screws to secure the bracket to the PB20.



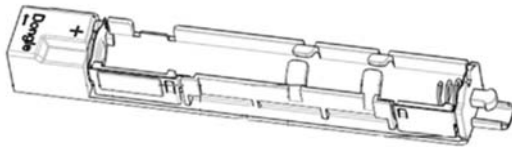
- b. To wall mount, use the 4 included self-tapping screws and screw them directly onto a surface you wish to attach to.



4. Battery Installation

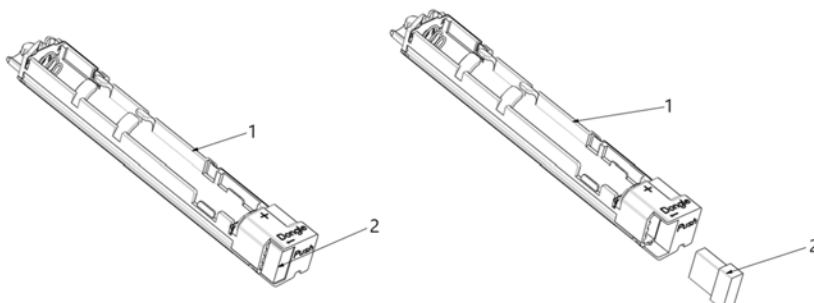
1. Battery installation

Remove the hand-tighten screws, open the battery compartment door, press to pop out the battery compartment body. Insert the included AA batteries referencing the +/- direction in the battery compartment. Push the battery compartment back into the machine until it clicks into place.



2. Picking up 2.4G Dongle

To prevent the loss of 2.4G Dongle, it is fixed at the front end of the battery compartment. Referring to the battery installation method above, it can be easily removed after popping out the battery compartment.




5. Connectivity's:


1. USB wired connection:

- a. Use the included USB cable to connect PB20 to the host device. PB20 will automatically power on, the green LED indicator will light up briefly the turn off.
- b. Through any key input or knob rotation, key value input and up and down scrolling functions will reflect on the host computer.
- c. For more details on wired connection, please scan QR Code labeled "Reference Guide" on last page.

2. Wireless Bluetooth and 2.4G Connection

- a. Remove USB cord and insert batteries. The PB20 will automatically switch to wireless connectivity.
- b. You can check the current communication mode by clicking any button. If the status indicator lights up yellow, it indicates that it is currently in Wireless 2.4G mode. If the status indicator lights up blue, it indicates that it is currently in Bluetooth mode.
- c. To switch from Bluetooth to 2.4G Connection, click Fn +  simultaneously, as shown below:



- d. To switch from 2.4G to Bluetooth connection, , click Fn +  simultaneously, as shown below:



- e. For more details on wireless connection, please scan QR Code labeled "Reference Guide" on last page.

6. Icons



Dispose in a professional recycling manner

DC voltage

FCC Warning

This device complies with part 15 of the FCC Rules. Operation is subject to the following two conditions: (1) This device may not cause harmful interference, and (2) this device must accept any interference received, including interference that may cause undesired operation.

Note: This equipment has been tested and found to comply with the limits for a Class B digital device, pursuant to part 15 of the FCC Rules. These limits are designed to provide reasonable protection against harmful interference in a residential installation. This equipment generates, uses and can radiate radio frequency energy and, if not installed and used in accordance with the instructions, may cause harmful interference to radio communications. However, there is no guarantee that interference will not occur in a particular installation. If this equipment does cause harmful interference to radio or television reception, which can be determined by turning the equipment off and on, the user is encouraged to try to correct the interference by one or more of the following measures:

- Reorient or relocate the receiving antenna.
- Increase the separation between the equipment and receiver.
- Connect the equipment into an outlet on a circuit different from that to which the receiver is connected.
- Consult the dealer or an experienced radio/TV technician for help.

Note: The Grantee is not responsible for any changes or modifications not expressly approved by the party responsible for compliance. Such modifications could void the user's authority to operate the equipment.

The device has been evaluated to meet general RF exposure requirement. The device can be used in portable exposure condition without restriction.

IC Warning

This device complies with Industry Canada license-exempt RSS standard(s). Operation is subject to the following two conditions: (1) this device may not cause interference, and (2) this device must accept any interference, including interference that may cause undesired operation of the device.

Le présent appareil est conforme aux CNR d'Industrie Canada applicables aux appareils radio exempts de licence.

L'exploitation est autorisée aux deux conditions suivantes : (1) l'appareil ne doit pas produire de brouillage, et (2) l'utilisateur de l'appareil doit accepter tout brouillage radioélectrique subi, même si le brouillage est susceptible d'en compromettre le fonctionnement.

The device has been evaluated to meet general RF exposure requirement. The device can be used in portable exposure condition without restriction.

L'appareil a été évalué pour répondre aux exigences générales d'exposition aux RF. L'appareil peut être utilisé sans restriction dans des conditions d'exposition portables.