

User Manual

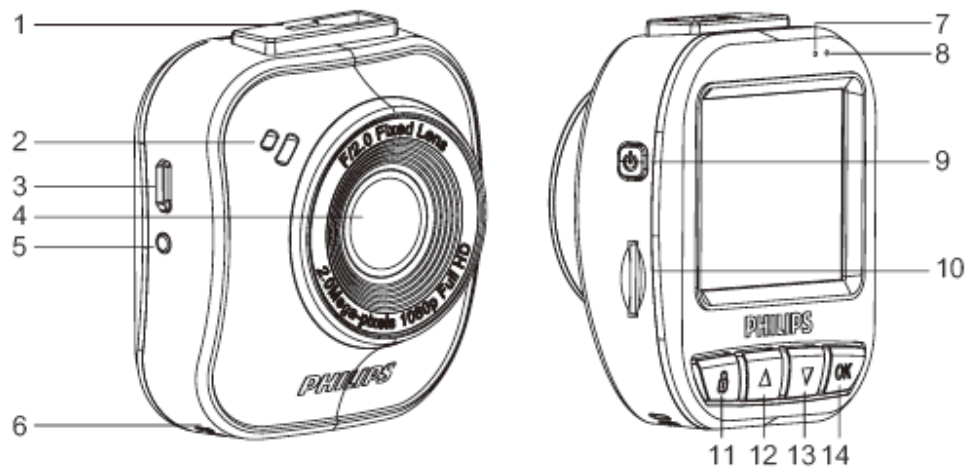
Automotive Driving Recorder



Contents

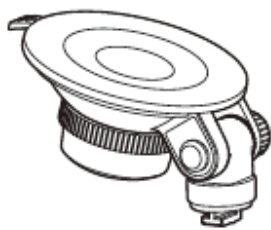
1. Product overview	3
2. Installation instructions.....	4
3. User interface	6
4. System settings.....	7
5. Operating instructions.....	8
5.1 Power on/off and reset button.....	8
5.1.1 Automatic power on/off.....	8
5.1.2 Manual power on/off.....	8
5.1.3 Reset the device	8
5.2 Shortcut buttons	8
5.2.1 Emergency recording button	8
5.2.2 Menu button.....	8
5.2.3 Enter video play mode	8
5.2.4 Exit video play mode.....	9
5.3 Record video.....	9
5.3.1 Normal video recording.....	9
5.3.2 Emergency recording.....	9
6. Additional functions.....	10
6.1 Driver fatigue alert.....	10
7. Updating the device's firmware	10
7.1 Firmware download.....	10
7.2 How to update firmware	10
8. Technical specifications.....	11

1. Product overview

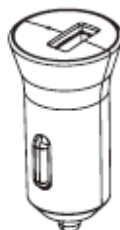


- 1. Suction cup holder
- 2. Speaker
- 3. Micro USB port
- 4. Lens
- 5. Reset button
- 6. Microphone
- 7. Status indicator

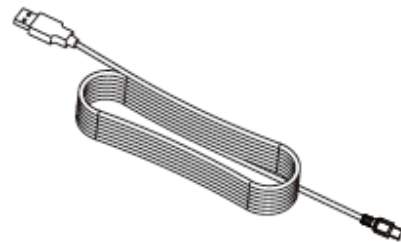
- 8. Power indicator
- 9. Power button
- 10. Micro SD card slot
- 11. Emergency/Return button
- 12. Up button
- 13. Down button
- 14. Enter/OK button



Bracket for suction mount x 1



Charger x 1

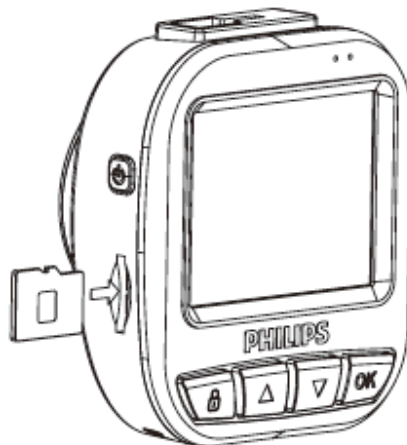


USB cable x 1

2. Installation instructions

Insert SD Memory Card

Insert the memory card with the golden contacts side of the card facing the back of the camera.



About the Micro SD card

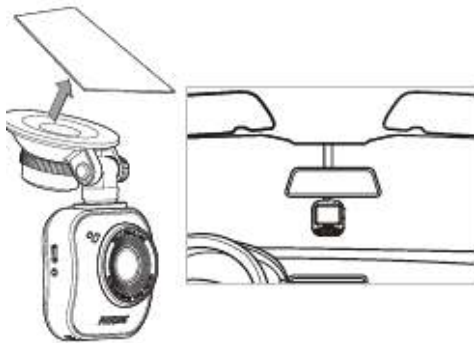
1. Please use a Micro SD card with a capacity of at least 16GB, Class 10 (maximum 64GB)
2. Format your Micro SD card before first use by selecting "format SD card" in the system settings of your GoSure device.
3. The relationship between card capacity and recording time is given below.

Micro SD Card Capacity	1080P/30fps	720P/30fps
16GB	160 minutes	260 minutes
32GB	320 minutes	520 minutes
64GB	640 minutes	1040 minutes

1. Install the suction cup onto the device.



2. Find a suitable position on your windshield and lock the suction cup.

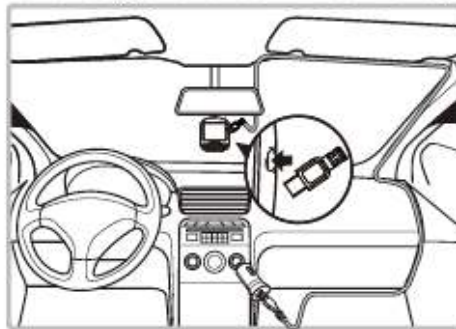


3. Adjust the position of the device within the mount to ensure you're recording a clear view of the road.



4. Connect the USB cable to the Micro USB socket on the device.
5. Plug the other end of this supplied car charger into the 12-24V DC outlet of your vehicle (running the wire

under the glove box and around the edge of the windshield).



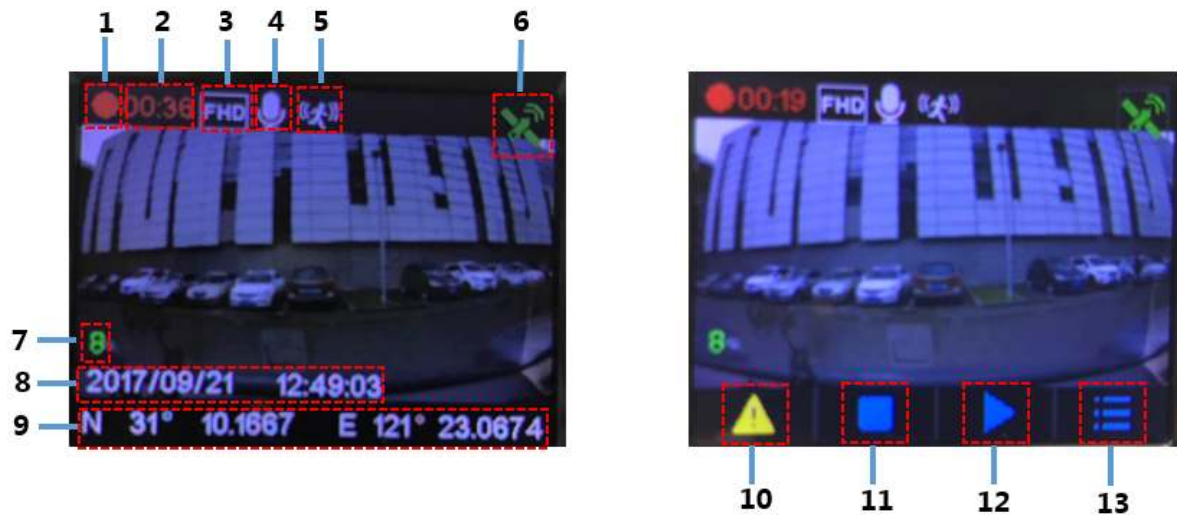
6. Set the correct date and time on the device.
7. Your Philips GoSure dash cam will automatically power on and start recording once you start your engine, and will stop recording only when you turn the engine off again.

Note:

1. Please use our dedicated car charger to avoid any device incompatibility issues.
2. To avoid damaging the video recording, please unplug your device before inserting or removing your SD memory card.
3. To remove the SD card, simply press down on the card and it will eject from the card slot automatically.
4. If the car power supply doesn't turn off automatically, it is recommended that you disconnect the device's charger cable manually, to avoid draining your car's battery.

3. User interface

Description of display icons and indicators below :



No.	Function	Description
1	Recording status indicator	Light blinks when recording begins.
2	Current record time	Displays length of the current recording.
3	Resolution indicator	Displays video resolution status.
4	Voice recording indicator	Indicates if voice recording is on or off.
5	Motion detection indicator	The icon appears when the motion detection function is switched on.
6	GPS status indicator	This displays GPS status: Gray: GPS off Yellow: GPS not located Green: GPS located The GPS module is optional (sold separately)
7	Fatigue index display	The driver fatigue rating will be displayed here when this feature is switched on.
8	Date and time display	Displays the system date and time.
9	Location information display	Displays the location coordinates.
10	Emergency	Press the Emergency button to lock a video file.

11	Start/Stop	Press the Start/Stop button to start or stop the video recording.
12	Playback	Press the Playback button to preview recorded video.
13	Menu	Press the Menu button to enter menu settings.

4. System setting

Press the menu button to see the list of adjustable system settings below.

No.	Function	Description
1	Resolution	Set the resolution to: 1080p 30fps , or 720p 30fps.
2	WDR	Turn the WDR (Wide Dynamic Range): on/off.
3	Video Length	Set the length of video clip recording time: 1 min, 3 min, or 5 min.
4	Voice Recording	Turn voice recording function on/off.
5	Date Stamp	Turn the date and time stamp on the recording on/off.
6	EV Value	Manually adjust the exposure level: -2.0, -1.0, +0.0, +1.0, or +2.0.
7	Driver Fatigue Alert	Turn driver fatigue alert function on/off.
8	Headlight Reminding	Turn headlight reminding function on/off.
9	Motion Detection	In standby mode, the device will start recording automatically after detecting a moving object in front of the camera within the effective range. If the device detects no more movement, it will stop recording. If the object in front of camera starts moving once again, the device will start recording again.
10	Collision Detection	Set the collision detection level to Off, High, Middle, or Low.
11	Language	Adjust the language setting (English is default).
12	Clock	Set the system date, time and time zone.
13	Volume	Set the system volume to High, Medium, Low, or Mute.
14	Display Auto Off	Set how long before the device's display will turn off automatically: 30sec, 3 min, 5 min, or always on.
15	GPS	Turn the GPS function on/off. The GPS module is optional (sold separately)
16	Format	Format Micro SD memory card.

17	Default	Reset all device settings to the factory default.
18	About	Information on the current firmware version.

5. Operating instructions

5.1 Power on/off and reset button

5.1.1 Automatic power on/off

Your dash cam will automatically turn on when you switch on the vehicle engine. If you disconnect the car charger or the cable plugged into the device, the camera will automatically turn off.

5.1.2 Manual power on/off


To turn on the device, press the “power” button. To turn the device off, press and hold the “power” button for three seconds.

5.1.3 Reset device

If the device crashes or you're unable to operate it, press the “reset” button to reboot the device, this should mean it now works normally.

5.2 Shortcut buttons

5.2.1 Emergency recording button

Press the emergency button  to trigger an emergency file recording. This is a recording that is protected from being overwritten.

Note: Emergency files occupy up to 30% of the SD memory card capacity.


5.2.2 Menu button

Press the “OK” button to enter the main settings menu.

5.2.3 Enter video play mode

Press the ▼ button to enter the recording playlist, then press the up button ▲ to enter the video play mode. You can then use the up button ▲ or down button ▼ to select which video to play.

5.2.4 Exit video play mode

To exit the video playback mode, press the emergency button  and you will enter video recording mode.

5.3 Record video

5.3.1 Normal video recording

When you switch on your vehicle, the device automatically turns on and starts continuously recording. When you switch your vehicle engine off, the camera will stop recording automatically. A normal video recording file is saved in a folder named with the system date, and the file name within that folder will contain the system time (hour, minute, second) as a prefix.

5.3.2 Emergency recording

An emergency file will be automatically generated when you either press emergency button (see 5.2.1) or the device detects a collision above a certain force threshold. This will have a file name containing the system time (hour, minute and second) and will be saved in an emergency folder.

6. Additional functions

6.1 Driver fatigue alert

To help drivers keep track of how tired they might be getting, the device comes with a fatigue alert. This takes into account various physiological and journey related parameters; for example, it considers the time of day and the time spent driving. The device will alert you every two hours of driving, to remind you that fatigue could be becoming an issue.

As well this alert, there is also a fatigue indicator on the device's display. With a low fatigue rating below 60, the indicator is green. When the fatigue rating is between 60 and 80 the indicator is yellow. When the fatigue rating reaches 80, the indicator turns red. When you switch on this driver fatigue feature, it's important that you set correct system time (so it knows at what time of day you're driving). If you have this feature switched off, the fatigue rating will not be displayed on the screen.

7. Updating the device's firmware

7.1 Firmware download

To update the firmware (the device's in-built software), please download the latest file version from Philips.com or contact Philips Consumer Care for assistance.

7.2 How to update firmware

1. Copy the firmware file (ADR620EU.bin) directly to your SD memory card.
2. Then insert the memory card into the device, before plugging in the power cable to the device.
3. A red LED will then blink, indicating the device is updating automatically.
4. When the device restarts it means the update was successful, please enter the menu and check the firmware version in "About" .

8. Technical specifications

Functions	Automatic video recording Collision detection & emergency file protection Seamless loop recording Auto exposure Auto white balance Date and time stamp Auto LCD off Driver fatigue alert and fatigue index display Wide angle video recording Headlight reminding
Image sensor	2 Mega-pixels CMOS
Video resolution	Full HD(1920x1080p)@30fps HD Premium(1280x720p)@30fps
Display	2.0" LCD
Aperture range	F/#2.0
Fixed lens	6G lens, FOV 120 (Diagonal)
File format	.MOV H.264 video compression
Random access memory	64MB DDR1 SDRAM
Internal memory	32Mb SPI flash
Recording media	MicroSD card (at least 16GB, Class 10 or higher)
Recording time	320min @32GB for full HD
Operating temperature	-10°C ~ 60°C
Storage temperature	-20°C ~ 70°C
Accessories	Car charger, cable, Suction cup Bracket, Quick Start Guide
Interface	Micro USB 2.0 port, MicroSD Slot, Microphone, Speaker
Languages	Simplified Chinese, English
Power	12V to 5V/1.5A car charger
Dimension(L x W x H)	57.2 x 64.8 x 33.4mm



Lumileds is the warrantor of this product. The Philips trademarks are used under license from Koninklijke Philips N.V. (2017). © Lumileds Holding B.V. 2017. All rights reserved.

Document order number: 3211 008 21298