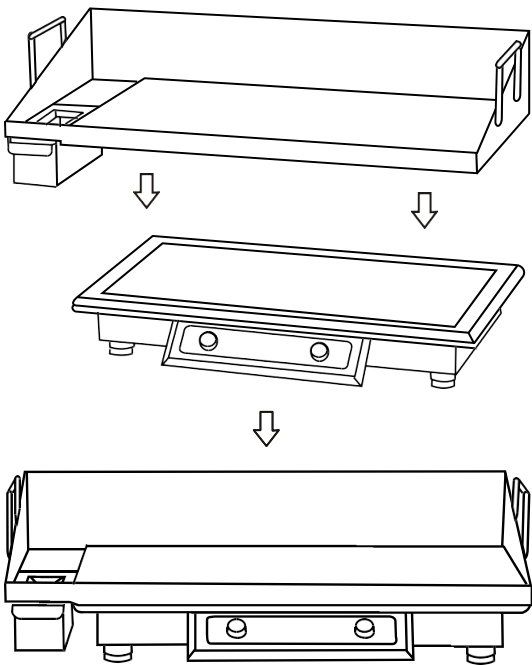


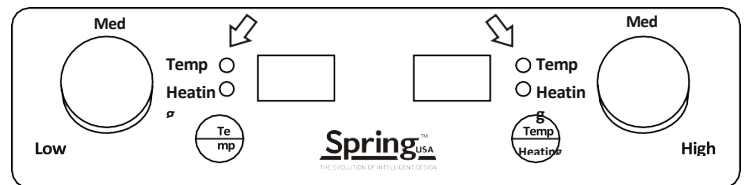
MAX Induction Griddle SMG251-6

Remove your MAX Induction Griddle from the packaging and inspect all parts. If any part or accessories is cracked or damaged, do not install the griddle. Contact your supplier for a replacement griddle.

This Griddle is to be mounted on the Spring USA Induction range SM-251-2CR or SM-253-2CR. Put the Griddle on top of the induction range as shown in picture below. Make sure the griddle is horizontal without any tilting.



Only works with
SM-251-2CR & SM-253-2CR
Operate your induction range
in 'Temp' settings only

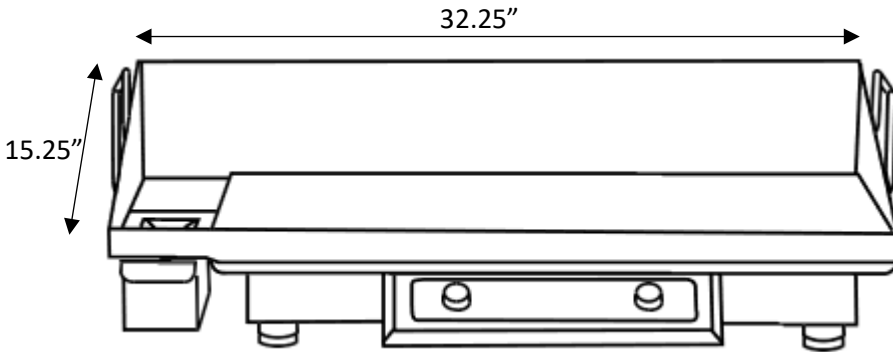


Preheat the griddle 30 minutes prior to use

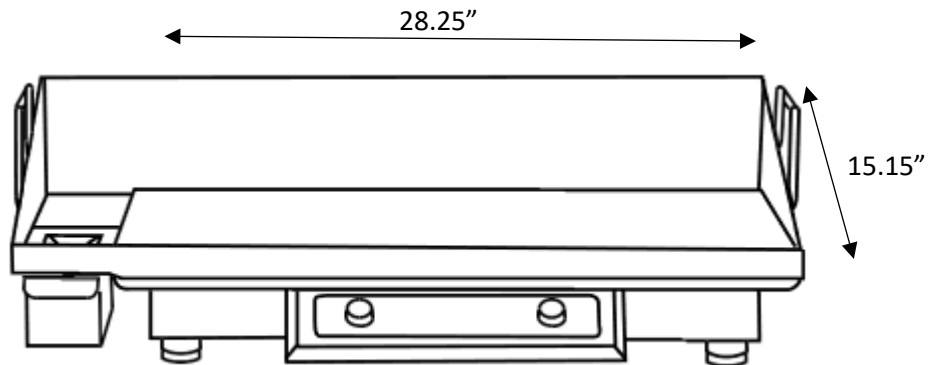
Model	Voltage	Phase	Hertz	Watts	Amps	Plug
SM-251-2CR	208-240	1	50-60	2500 x 2	22	NEMA 6-30P
SM-253-2CR	208-240	1	50-60	2500 x 2	21	Customer Provided

MAX Induction Griddle SMG251-6

Key Dimensions:



Cooking Area



Model	Dims	Cooking Area	Weight	Plating	Handle
SMG251-6	32.25" x 15.25"	28.25" x 15.15"	54 LBS	Hard Chromium	2