

# NX60T8751SS

SAMSUNG

## Samsung Flex Duo™ Front Control Slide-in Gas Range with Smart Dial & Air Fry

6.0 cu. ft. Capacity



### Signature Features

#### Smart Dial

- The new Smart Dial simplifies oven settings in a single dial and intuitively learns based on your cooking preferences.

#### Air Fry

- Cooking just got healthier\* with new Air Fry mode. Using little to no oil, you can quickly prepare your favorite fried foods right in your oven. Air Fry tray included.

\*As compared to deep frying.

#### Flex Duo™

- The Flex Duo™ range is for the ultimate multi-tasker who wants to be efficient in the kitchen. Use the full oven, or split it into two separate smaller ovens to suit your needs.

### Available Colors



Fingerprint Resistant  
Stainless Steel (shown)



Fingerprint Resistant  
Black Stainless Steel



Smart Dial



Air Fry

### Features

- Smart Dial
- Air Fry, Tray Included
- Flex Duo™
- Convection
- Illuminated Knobs
- Fingerprint Resistant Finish
- Reversible Cast-Iron Griddle
- Large Oven Capacity – 6.0 cu. ft.
- Ready2Fit™ Guarantee
- Temperature Probe
- Gliding Rack
- Soft Close Door
- Wok Ring
- Storage Drawer

- Flexible Cooktop:
  - Five Burner Cooktop
  - Right Front: 23K BTU Dual Ring Brass Power Burner
  - Left Front: 16K BTU
  - Right Rear: 5K BTU
  - Left Rear: 9.5K BTU
  - Center (Oval): 10K BTU

### Convenience

- Wi-Fi Connectivity
- Voice-Enabled
- Convection Auto Conversion
- Self Clean
- Child Safety Lock
- Delay Start
- Auto Oven Light
- Kitchen Timer
- Sabbath Mode

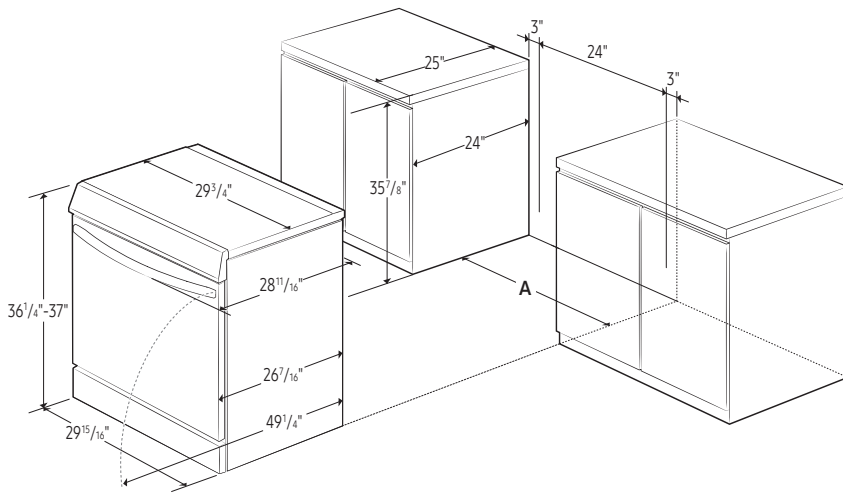


# NX60T8751SS

**SAMSUNG**

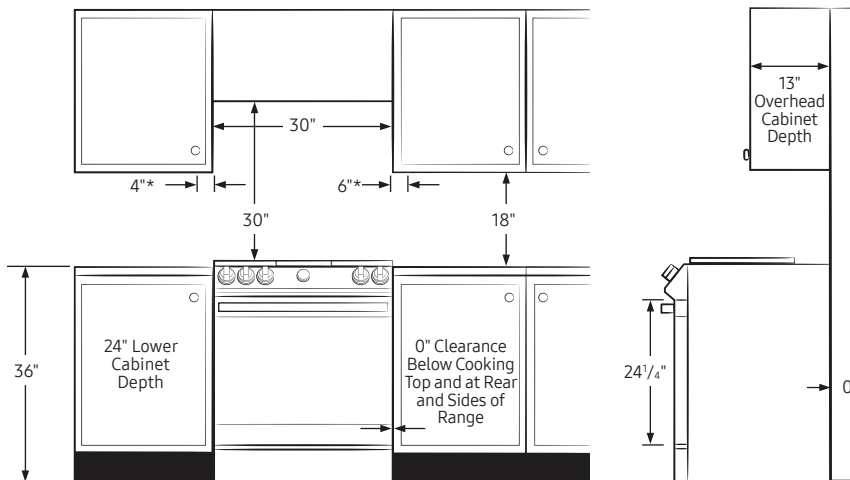
## Samsung Flex Duo™ Front Control Slide-in Gas Range with Smart Dial & Air Fry

### Installing Your Range



A: Cabinet opening 30"

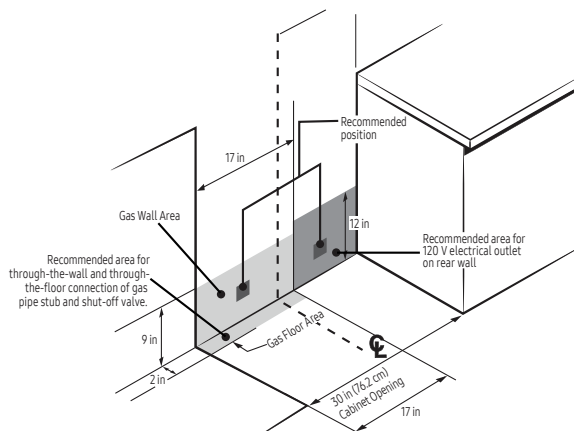
**IMPORTANT:** If your cabinets are over 37" high, you must install this range on a hard, heat-resistant support that raises the surface of the range so that it is about even with the countertop.



\*Side clearance above cooking surface to any objects, i.e., wall.

**IMPORTANT:** Consult with Installation Manual for detailed instructions before installing. All ranges must be installed with the Anti-Tip device that is included.

### Recommended Locations for Gas Piping and Electrical Outlets



### Power Source

120V/60Hz/20A

### Total Power (BTU)

63,500 BTU

### 5-Burner Cooktop

- Right Front: 23K BTU Dual Ring, Brass
- Left Front: 16K BTU
- Right Rear: 5K BTU
- Left Rear: 9.5K BTU
- Center (Oval): 10K BTU

### Oven

- Upper Capacity: 3.4 cu. ft.
- Lower Capacity: 2.5 cu. ft.
- Convection Element/Heater
- Convection Bake
- Convection Roast
- Bake
- Variable Broil: Low/High
- Air Fry
- Bread Proof
- Dehydrate

### Warranty

One (1) Year Parts and Labor

### Product Dimensions & Weight (WxHxD)

Actual Oven Dimensions:  
24<sup>13</sup>/<sub>16</sub>" x 21<sup>5</sup>/<sub>8</sub>" x 19<sup>5</sup>/<sub>8</sub>"

Outside Dimensions:  
29<sup>15</sup>/<sub>16</sub>" x 36<sup>1</sup>/<sub>4</sub>-37" (Adjustable) x 28<sup>11</sup>/<sub>16</sub>"

Weight: 220 lbs

### Shipping Dimensions & Weight (WxHxD)

Dimensions:  
33<sup>1</sup>/<sub>16</sub>" x 41<sup>3</sup>/<sub>4</sub>" x 30<sup>5</sup>/<sub>16</sub>"

Weight: 246 lbs

### Color

Fingerprint Resistant  
Stainless Steel

### Model #

NX60T8751SS

### UPC Code

887276409153

Fingerprint Resistant  
Black Stainless Steel

NX60T8751SG

887276409146



Actual color may vary. Design, specifications, and color availability are subject to change without notice. Non-metric weights and measurements are approximate.

©2020 Samsung Electronics America, Inc. 85 Challenger Road, Ridgefield Park, NJ 07660. Tel: 800-SAMSUNG. samsung.com. Samsung is a registered trademark of Samsung Electronics Co. Ltd.