

the Compact Wave™ Soft Close

Instruction Book - BMO650



Breville®



Contents

2	Breville recommends safety first
12	Components
13	Assembly
15	Functions
17	Cooking Functions
19	Hints & Tips
20	Care & Cleaning
21	Troubleshooting

BREVILLE RECOMMENDS SAFETY FIRST

At Breville we are very safety conscious. We design and manufacture consumer products with the safety of you, our valued customer, foremost in mind. In addition we ask that you exercise a degree of care when using any electrical appliance and adhere to the following precautions.

IMPORTANT SAFETY INSTRUCTIONS

READ ALL INSTRUCTIONS BEFORE USE AND SAVE FOR FUTURE REFERENCE

- Do not remove the microwave guide cover placed on the right panel inside the cavity. This sheet is not part of the packaging and needs to remain inside the microwave cavity to ensure a safe operation. Please refer to the BMO650 Components, page 12.
- Remove and safely discard any packaging material and promotional labels before using the Breville microwave oven for the first time.
- Read and follow the specific "PRECAUTIONS TO AVOID POSSIBLE EXPOSURE TO EXCESSIVE MICROWAVE ENERGY" found on page 8.
- This appliance must be grounded. Connect only to properly grounded outlet. See "Grounding Instructions" found on page 8.
- Install and locate this appliance only in accordance with the supplied installation instructions on page 13.

- Some products such as whole eggs and sealed containers - for example, closed glass jars - have the potential to explode and shall not be heated in this oven.
- Use this appliance only for its intended use as described in the manual. Do not use corrosive chemicals or vapors in this appliance. This type of oven is specifically designed to heat, cook, or dry food. It is not designed for industrial or laboratory use.
- As with any appliance, close supervision is required when used by children.
- Do not operate this appliance when it has a damaged cord or plug, when it is not working properly, or when it has been damaged or dropped.
- This appliance shall be serviced only by qualified personnel.
- Contact nearest authorized service facility for examination, repair, or adjustment.
- Do not cover or block any openings on the appliance.
- Do not store this appliance outdoors.
- Do not use this product near water for example, near a kitchen sink, in a wet basement, or near a swimming pool, and similar areas.
- Do not immerse power cord, power plug, or appliance in water or any other liquid.
- Keep cord away from heated surfaces.
- Do not let cord hang over edge of table or counter, touch hot surfaces or become knotted.
- When cleaning surfaces of door and oven that come together on closing the door; use only mild, nonabrasive soaps, or detergents applied with a sponge or soft cloth. The use of corrosive chemicals in cleaning will damage the appliance and may result in radiation leaks.
- To reduce the risk of fire in the oven CAVITY:
 - i) Do not overcook food. Carefully attend appliance when paper, plastic, or other combustible materials are placed inside the oven to facilitate cooking.
 - ii) Remove wire twist-ties from paper or plastic bags before placing bag in oven.

- iii) In the event materials inside the oven ignite, keep oven door closed, turn oven off, and disconnect the power cord, or shut off power at the fuse or circuit breaker panel.
 - iv) Do not use the CAVITY for storage purpose. Do not leave paper products, cooking utensils, or food in the CAVITY when not in use.
- To eliminate a choking hazard for young children, remove and safely discard the protective cover that is fitted to the power plug of the Breville microwave oven.
 - Do not place the microwave oven near the edge of a bench or table during operation. Ensure all surfaces are level, clean and free of water or any other substances.
 - Do not place the microwave oven on or near a hot gas or electric burner, or where it could touch a heated oven.
 - Ensure the microwave is installed and operated with adequate space above and around the unit as recommended within the Installation section on page 13.
 - Do not build in or enclose microwave in a cabinet or confined space as it will cause overheating. (Refer to Installation section on page 13)
 - Always operate the microwave oven on a heat-resistant surface. Do not use on a cloth-covered surface, near curtains or other flammable materials.
 - Do not use the microwave oven on a metal surface.
 - Always ensure the microwave oven is properly assembled before connecting to the power outlet and operating. Do not use the oven without the turntable roller and glass turntable in place. Ensure the glass turntable is positioned correctly into the indents on the turntable roller.
 - The microwave oven is not intended to be operated by means of an external timer or separate remote-control system.
 - Never use the microwave oven without food or water in the oven cavity. Operating the microwave oven when empty could cause damage to the appliance.

- Do not leave the microwave oven unattended when in use.
- Do not touch hot surfaces. Allow the microwave oven to cool before moving or cleaning any parts.
- Always ensure the microwave oven power cord is unplugged from the power outlet before attempting to move the appliance, when not in use, if left unattended and before disassembling, cleaning or storing.
- Always turn the microwave oven off by pressing the STOP/CLEAR button and unplug at the power outlet when it is not in use.
- Before cleaning, always press the STOP/CLEAR button and unplug at the power outlet.
- Liquids, such as water, coffee or tea are able to become heated above their boiling points without the appearance of boiling or bubbling. **THIS COULD RESULT IN VERY HOT LIQUIDS SUDDENLY BOILING OVER WHEN THE CONTAINER OR LIQUID SURFACE IS DISTURBED OR WHEN A SPOON OR UTENSIL IS INSERTED INTO THE LIQUID.**

IMPORTANT SAFEGUARDS FOR ALL ELECTRICAL APPLIANCES

- Fully unwind the power cord before use.
- It is recommended to regularly inspect the appliance. To avoid a hazard do not use the appliance if power cord, power plug or appliance becomes damaged in any way. Immediately cease use and call Breville Consumer Support for examination, repair or adjustment.
- For any maintenance other than cleaning, contact Breville Consumer Support.
- This appliance is for household use only. Do not use this appliance for anything other than its intended use. Do not use in moving vehicles or boat. Do not use outdoors. Misuse may cause injury.
- A 120 volt, 60 Hz, AC only, 15-20 amp electrical supply with a fuse or circuit breaker is required in accordance with all Federal, State and Local governing codes and ordinances.

- We also recommend a separate circuit dedicated to serving only this microwave oven.
- A short power-supply cord is supplied to reduce the risks resulting from becoming entangled in or tripping over a longer cord.
- Extension cords may be used when care is exercised in using them.
- When an extension cord is used:
 - i) The marked electrical rating of the extension cord shall be at least as great as the electrical rating of the appliance.
 - ii) The extension cord must be a grounding type 3-wire cord and it must be plugged into a properly grounded outlet.
 - iii) The longer cord shall be arranged so that it does not drape over the counter top or tabletop where it is capable of being pulled on by children or tipped over unintentionally.
- The installation of a residual current device (safety switch) is recommended to provide additional safety protection when using electrical appliances. It is advisable that a safety switch with a rated residual operating current not exceeding 30mA be installed in the electrical circuit supplying the appliance. See your electrician for professional advice.
- The appliance must be used on a properly grounded outlet. If you are not sure if the power outlets are properly grounded, please consult your electricians.
- Do not, under any circumstances, modify the power plug or use an adapter.

SPECIAL SAFETY INSTRUCTIONS FOR YOUR MICROWAVE OVEN

- Wipe the oven cavity with a soft, damp cloth after each use. Leaving food residue, grease or fat in the cavity could cause the microwave oven cavity to overheat and may cause the microwave oven to smoke or catch fire.
- The microwave oven should be cleaned regularly and any food splattering inside the cavity should be removed. Failure to maintain the microwave oven in a clean condition could lead to deterioration of the surface, adversely affecting the life of the microwave oven and possibly resulting in a hazardous situation.

- The microwave oven is intended for heating food and beverages. Drying of food or clothing and heating or warming pads, slippers, sponges, damp cloth and similar may lead to risk of injury, ignition or fire.
- Ensure all food containers and/ or plates are suitable for use in the microwave oven. This should be done prior to preparing food for heating or cooking in the microwave oven.
- All suitable glass or plastic food containers should be used in strict compliance with the cookware manufacturer's recommendations.
- Containers or plates suitable for use in the microwave oven should not exceed the width of the glass turntable as this may impede the rotation of the turntable and result in food being unevenly cooked or may burn and catch on fire.
- Food and/ or liquids should not be heated or cooked directly on the glass turntable. Food and/ or liquids must be placed into a suitable microwave-proof container before placing onto the glass turntable.
- Food and/ or liquids should not be heated or cooked in plastic or paper containers or bags, unless specified as suitable for use by the manufacturer, due to the possibility of containers exploding or igniting.
- Do not use recycled paper or paper towels when cooking. Recycled paper may contain small metal or other impurities which could cause sparking and/ or fire.
- Do not use metal containers or utensils in the microwave oven as these could cause sparking and / or fire.
- Food grade foil should not be used in the microwave oven as this could cause sparking and/ or fire.
- Ensure that lids and caps covering containers are removed prior to placing liquids and/ or foods into the microwave oven.
- Feeding bottles and baby food jars should have lids and caps removed before warming or heating in the microwave oven. To avoid burns or scalding after heating, the contents should be stirred or shaken and the temperature checked before serving.

- Always ensure the temperature of food or drink which has been heated or cooked in the microwave oven has been tested before eating, drinking or serving.

PRECAUTIONS TO AVOID POSSIBLE EXPOSURE TO EXCESSIVE MICROWAVE ENERGY

- Do not attempt to operate this oven with the door open since open-door operation can result in harmful exposure to microwave energy. It is important not to defeat or tamper with the safety interlocks.
- Do not place any object between the oven front face and the door or allow soil or cleaner residue to accumulate on sealing surfaces.
- If the door or door seals are damaged, the oven must not be operated. Immediately cease use and call Breville Consumer Support for examination, repair or adjustment. It is particularly important that the oven door close properly and that there is no damage to the: (1) Door (bent), (2) Hinges and latches (broken or loosened), (3) Door seals and sealing surfaces.

- Do not put any foreign material between the door and door jamb of the microwave oven.
- The oven should not be adjusted or repaired by anyone except properly qualified service personnel.

SUPERHEATED LIQUIDS

- To reduce this risk of injury to persons:
 - i) Do not overheat the liquid.
 - ii) Stir the liquid both before and halfway through heating it.
 - iii) Do not use straight-sided containers with narrow necks.
 - iv) After heating, allow the container to stand in the microwave oven for a short time before removing the container.
 - v) Use extreme care when inserting a spoon or other utensil into the container.
- Do not heat popcorn in the microwave oven unless it has been commercially packaged for microwave use. There may be a number of un-popped kernels that may overcook and burn when popping popcorn. Do not use oil unless recommended by the manufacturer. Do not

pop popcorn longer than the manufacturer's instructions (popping time should not exceed 3 minutes). Longer cooking could cause scorching or fire.

- Do not cook any food surrounded by a membrane (such as potatoes, chicken liver, egg yolks, oysters, etc) without first piercing the membrane several times helping to allow for steam to escape.
- Eggs in the shell and whole hard-boiled eggs should not be cooked or heated in the microwave oven as they may explode during cooking, at the end of cooking or after removing from the microwave oven.
- Do not heat oil or fat in the microwave oven. Doing so may cause the microwave oven and/or the oil to overheat and/or ignite.
- If any smoke is observed, switch off and unplug the microwave oven at the power outlet. Keep the door closed to stifle any flames.
- Do not attempt to operate the microwave oven by any method other than those described in this instruction book.
- Utensils should be checked to

ensure that they are suitable for use in microwave ovens.

- Do not disconnect or tamper with the power cord or the power supply outlet while the unit is operating.
- Loosely wind the cord when storing the microwave oven. Do not wrap the cord around the microwave oven.
- When heating food in plastic or paper containers, keep an eye on the microwave oven due to the possibility of ignition.
- The glass window has been specially treated to make it stronger, more durable and safer than ordinary glass, however it is not unbreakable. If dropped or struck hard, it may break or weaken, and could at a later time shatter into many small pieces without apparent cause.
- If you see any sparks, arcing or flashing within the microwave oven, press the STOP/CLEAR button and correct the problem or contact Breville Consumer Support for assistance.

GROUNDING INSTRUCTIONS

- This appliance is equipped with a power cord having a grounding wire with a

grounding plug. The appliance must be grounded using a 3-hole properly grounded outlet. In the event of an electrical short circuit, grounding reduces the risk of electric shock.

- Improper use of the grounding plug can result in risk of electric shock.
- If the power outlet is a standard 2-prong wall outlet, it is your personal responsibility and obligation to have it replaced with a properly grounded 3-prong wall outlet.
- Do not, under any circumstances, cut or remove the third (ground) prong from the power cord or use an adapter.
- Consult a qualified electrician if the grounding instructions are not completely understood, or if doubt exists as to whether the appliance is properly grounded.
- We do not recommend using an extension cord with this appliance.

RADIO INTERFERENCE

This equipment has been tested and found to comply with Part 18 of the FCC Rules. Operation is subject to the following two conditions: (1) This device may not cause harmful interference, and (2) this device must accept any interference received, including interference that may cause undesired operation.



CAUTION

Changes or modifications not expressly approved by the party responsible for compliance could void the user's authority to operate the product.



NOTE

This equipment generates, uses and can radiate radio frequency energy and, if not installed and used in accordance with the instructions, may cause harmful interference to radio communications. However, there is no guarantee that interference will not occur in a particular installation. If this equipment does cause harmful interference to radio or television reception, which can be determined by turning the equipment off and on, the user is encouraged to try to correct the

interference by one or more of the following measures:

- Reorient or relocate the receiving antenna. Increase the separation between the equipment and receiver.
- Connect the equipment into an outlet on a circuit different from that to which the receiver is connected.
- Consult the dealer or an experienced radio/TV technician for help.

SPECIFICATIONS

Power Consumption 120V - 60Hz; 1350W

Output 900W - 2450MHz

Outside Dimensions 11.5 inches/292mm (H)
19.1 inches/485mm (W)
16.4 inches/417mm (D) with handle
15.2 inches/387mm (D) without handle

Glass Turntable Diameter 10.6 inch (270mm)

Net Weight Approx. 27.5lb (12.49kg)

Oven Capacity 0.9 cu.ft/25L

These specifications may change without notice.

FOR HOUSEHOLD USE ONLY SAVE THESE INSTRUCTIONS



Components



A. Viewing window

B. Door handle: Pull handle to open.

C. LED screen

D. POWER LEVEL button:

The default power will be P100 (100%).

When the POWER button is pressed again, the POWER LEVEL will decrease from P100 (100%) to P10 (10%), in 10% increments.

E. DEFROST and REHEAT function

F. POPCORN Function

G. FOOD MENU function

H. BEVERAGE Function

I. TIME dial

J. Mute button

K. START/+30 INSTANT START button.

Each press adds 30 second increments at 100% power.

L. STOP/CLEAR/CHILD LOCK button

Press and hold STOP/CLEAR button for 3 seconds to set child lock.

M. CLOCK SETTING button

N. Microwave Guide Cover

Do not remove to ensure a safe operation.



Assembly

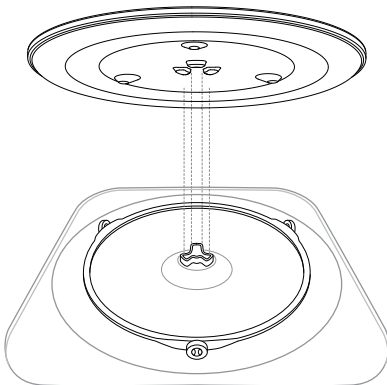
BEFORE FIRST USE

Before first use remove all promotional stickers and packaging material. Carefully unpack the microwave oven and keep all the packing material until all the parts of the microwave oven have been found and the appliance has been assembled. It is recommended to keep all the packing material in a safe place in case you wish to repack the product for shipping purposes.

To remove any dust that may have accumulated during packing, wash the turntable roller and glass turntable in warm soapy water, rinse in clean water then dry thoroughly. Wipe the interior and exterior of the microwave oven with a soft, damp cloth then dry thoroughly.

ASSEMBLING THE GLASS TURNTABLE

Insert the turntable roller into position in the indented space in the oven cavity base. Place the glass turntable on top of the turntable roller, matching the indents of turntable roller at the center area.



INSTALLATION AND TURNING ON THE MICROWAVE OVEN

- Select a level surface that provides enough open space for the intake and/or outlet vents.
- A minimum clearance of 4 inches (10cm) is required between the microwave and any adjacent walls.
- Leave a minimum clearance 8 inches (20cm) above the microwave.
- Do not remove the legs from the bottom of the microwave.
- Blocking the intake and/or outlet openings can damage the microwave.
- Place the microwave as far away from radios and TV as possible.
- Operation of microwave may cause interference to your radio or TV reception.
- Plug your microwave into a standard household outlet. Be sure the voltage and the frequency is the same as the voltage and the frequency on the rating label.
- The microwave must not be placed in a cabinet.



WARNING

- To avoid an electrical circuit overload, it is recommended that no other appliances are plugged into the same circuit as your microwave oven (or other products) when it is in use.
- Do not install oven over a range cooktop or other heat-producing appliances. If installed near or over a heat source, the oven could be damaged and the warranty would be void.

- Check the oven for any damage, such as misaligned or bent door, damaged door seals and sealing surface, broken or loose door hinges and latches and dents inside the cavity or on the door. If there is any damage, do not operate the oven and contact a Breville service centre.
- Do not immerse the microwave oven, power cord or plug in water or any other liquid.



Functions

SETTING THE CLOCK - 12 HOUR CLOCK DISPLAY

Press SET CLOCK on interface panel. The microwave will beep once.

The default time is 06:00. The highlighted digits will flash to show it can be adjusted.

Turn TIME dial to adjust hours and press START or SET CLOCK button to confirm. The microwave will beep once.

Minutes now flash to show they can be adjusted. Turn TIME dial to adjust minutes and press START or SET CLOCK button to confirm. When the new time is saved, the clock display will flash twice, and the microwave will beep once.



NOTE

If you forget to press START to confirm hours or minutes, after 1 minute the microwave will automatically confirm your selection.

SETTING CHILD LOCK

Press and hold STOP/CLEAR (⊗) button for 3 seconds. The CHILD LOCK screen with flash 3 times, and the microwave will beep once.



To disable CHILD LOCK, press and hold the STOP/CLEAR button for 3 seconds. The time will be displayed, and you will have full functionality of your microwave.

STANDBY

When the microwave has been idle for 1 minute, STANDBY mode will be activated and the clock will be shown.

If the clock has not been set, the display will remain at 00:00



If the clock has been set, the time will be displayed on the screen.

TIME & POWER LEVEL ADJUSTMENT

The maximum microwave cooking time is 95 minutes (95:00).

There are 10 power levels available.

Adjusting the time ⌚

Rotate the TIME dial clockwise to set the desired time, then press start.

The default time will be 30 seconds.

Adjusting the power level 📶

Press the POWER button on the interface. The default power will be P100 (100%).

When the POWER button is pressed again, the POWER LEVEL will decrease from P100 (100%) to P10 (10%), in 10% increments.

DYNAMIC POWER ADJUSTMENT

The food menu settings have pre-determined cook times and power levels to give the best results. However, to suit your personal preference adjustment of both time and power is available during the cooking cycle when using the manual mode.

When using the defrost, reheat, popcorn, beverage or food menu, only the time can be dynamically adjusted.

By pressing the POWER button, the power level can be increased or decreased at any time during the cooking cycle.



NOTE

Adjusting the power level while heating does not affect the time.

The time can also be adjusting during the cooking cycle. If turning the TIME dial, the time value can either be increased or decreased. If pressing the START button, the time value will increase by 30 seconds.

+30 SEC INSTANT START +30s

Press START/Instant +30 button to begin cooking instantly for 30 seconds with 100% microwave power. Each additional press will increase the cooking time by 30 seconds.

WHEN COOKING IS FINISHED

At the end of any cooking cycle, the microwave will beep three times, and the word End will flash on the screen.

The word End will stay flashing on the screen for 5 minutes or until the door is opened.



STOP/CLEAR ⊗

Press STOP/CLEAR once during the cooking cycle to pause cooking, press again to cancel cooking and return to default screen.

MUTE 🚫

This program allows you to mute the sound of the microwave oven during operation.

In order to mute the sound of the microwave, select the MUTE button on the interface. When the MUTE program is selected, no tone will sound, and the screen will display OFF.



To unmute, press the MUTE button a second time.



Cooking Functions

Popcorn

The POPCORN setting is designed to pop the maximum number of kernels in each bag.

To select this setting, press the POPCORN button. Place the bag in the center of the turntable.

Turn the TIME dial to select weight, or press the POPCORN button again, and press START to begin cooking.

The weight selection is 1.2oz, 3.2oz and 3.5oz (34g, 91g and 100g).



Beverage

The BEVERAGE setting is suitable to reheat hot drinks such as coffee and tea that may have become cold. The BEVERAGE setting will warm your drink to approx. 140-150°F (60-65°C) which is suitable to drink right away.

To select this setting, press the BEVERAGE button. Place the cup in the center of the turntable.

Turn the TIME dial to select the number of cups, or press the BEVERAGE button again, and press START to begin cooking. You can select the amount of beverage from 1 cup (8 fl.oz/240mL) to 4 cups (32. fl.oz/960mL).

At the end of the reheat cycle, stir heated drinks and allow to stand for 1-2 minutes before consuming. Be aware, that overheating may scald or burn drinks.



FOOD MENU

The food menu setting is designed to automatically cook at the correct power for the correct time.

Depending on the food item selected, the indicator on the screen of the microwave will change. These indicators aim to indicate which quantity or volume can be adjusted for each function.

Potatoes

The POTATOES setting is designed to perfectly cooked whole potatoes in the microwave.

Before cooking, pierce each potato with a fork 5-6 times. Place the whole potatoes on a single layer on the turntable surface.

To select this setting, press once the FOOD MENU button. The POTATOES setting will correspond to the code F-1. When the POTATOES setting is selected, the screen will look as below:



Turn the TIME dial to select the number of potatoes and press START to begin cooking. You can select from 1 (10oz/285g) to 3 (30oz/850g) potatoes.

Pizza

The PIZZA setting has been specially designed to perfectly reheat leftover pizza slices.

To select this setting, press the FOOD MENU button twice. The PIZZA setting will correspond to the code F-2. When the PIZZA setting is selected, the screen will look as below:



Turn the TIME dial to select the number of slices and press START to begin cooking. You can select from 1 to 4 slices of pizza.

Frozen Vegetables

The FROZEN VEGETABLES setting is suitable for a selection of frozen vegetables such as carrots, broccoli, cauliflower and peas. Cook times are based on vegetables from the freezer (approx. 0°F /-18°C).

To select this setting, press the FOOD MENU button three times. The FROZEN VEGETABLES setting will correspond to the code F-3. When the FROZEN VEGETABLES setting is selected, the screen will look as below:



Turn the TIME dial to select the number of cups and press START to begin cooking. You can select from 1 cup (125g) to 4 cups (500g).

Cover with a vented microwave-safe plastic lid or vented microwave-safe plastic wrap. No water needs to be added.

Once cooking has finished, allow vegetables to stand for 5 minutes before serving.

DEFROST

The DEFROST setting is designed to gently defrost food without overheating and drying out of edges.

After the defrost cycle, most foods will still be somewhat icy in the center when removed from the microwave. Stand food for 5-15 minutes until completely thawed.

To select this setting, press the DEFROST button on the main interface. The setting will enable you to defrost by weight or by time.

Defrost by Weight

To defrost by weight, press the DEFROST button. When Defrost by Weight is selected, the LED display will look as below:



Turn the TIME dial to select the desired weight. The weight range varies from 4oz (115g) to 48oz (1.36kg). Press START to begin.



Defrost by Time

To defrost by time, press twice the DEFROST button. When Defrost by Time is selected, the LED display will look as below:



Turn the TIME dial to select the desired time and Press START to begin.

REHEAT

The REHEAT setting uses lower power levels to gently reheat food without drying or overcooking.

To select this setting, press the REHEAT button.

Turn the TIME dial to select the desired time and Press START to begin.



Hints & Tips

SOME IMPORTANT TIPS FOR MICROWAVE COOKING

To help equalize energy in the food so that it cooks evenly follow these helpful tips.

- Arrange foods with varying size ends, such as chicken drumsticks and broccoli with the thicker or tougher part positioned to the outside of the dish. This ensures the parts that require more cooking will receive more energy, so the food will cook evenly.
- Covering the dish during cooking holds in the heat and steam to speed up cooking time. Use a microwave safe lid or plastic wrap that has been vented by turning back one edge at the side of the dish to form a narrow vent to release excess steam.
- Choose cooking dishes that are shallow and preferably have straight sides. Shallow dishes enable the food to cook faster and straight edges prevent the edges from being overcooked.
- Arrange individual items such as ramekins or whole potatoes around the outside of the turntable. Make sure to leave space between items so the energy can penetrate from all sides.
- Use round shaped microwave dishes. Round shapes cook more evenly than square or rectangle dishes which absorb most of the energy in the corners causing food to overcook and toughen.
- Stir foods from the outside to center of the dish once or twice during cooking to equalize heat and speed microwaving.
- Turn medium to large food items over twice during microwaving. This enables even exposure to microwaves.

- Elevating some types of food such as cakes, roast vegetables and dough products can be advantageous. It allows more energy to penetrate the food from all sides, base and top. Use a microwave safe plastic or ceramic rack. If a rack is unavailable, use an upturned bowl or cup to elevate plates of food.
- Do not elevate any special browning dishes, jugs of sauce or custard, small quantities of food or mugs of beverages.
- Internal temperatures of foods continue to rise so that they continue cooking even after they have been removed from the microwave oven. It is better to undercook food as it will continue to cook once removed from the microwave.

MICROWAVE USTENSILS

- Containers, plates, dishes, etc. used in the microwave oven should always be microwave-safe. Check if stated on the underside of the utensil or contact the manufacturer.
- To test if a container, plate or dish is microwave-safe, place it into the microwave oven with 1 cup of cold water (in a microwave-safe cup) and heat on 100% Power for 1 minute. If the container is hot and the water is cold, the container is not suitable for microwave oven use. If the container is cold and the water is hot, then the container is suitable for microwave oven use.
- Microwave-safe cookware will not become hot by the microwave energy, but it will become hot from contact with hot food. When the food becomes hot, some of this heat is transferred to the dish. Always use oven mitts or clothes to remove hot dishes from the microwave.
- Metal containers and utensils should not be used in the microwave oven.



Care & Cleaning

- Remove the plug from the power outlet before cleaning.
- Keep the inside of the microwave oven clean. When food splatters or spilled liquids adhere to the microwave oven internal walls, wipe with a damp cloth. Mild detergent may be used if the cavity gets very dirty. Avoid the use of spray and other harsh cleaners as they may stain, streak or dull the door surface.
- The outside surfaces should be cleaned with a damp cloth. To prevent damage to the operating parts inside the microwave oven cavity, water should not be allowed to seep into the ventilation openings.
- Wipe the door and window on both sides of the door seals and adjacent parts frequently with a damp cloth to remove any spills or spatters. Do not use an abrasive cleaner.
- Do not allow the control panel to become wet. Clean with a soft, damp cloth. When cleaning the control panel, leave the microwave oven door open to prevent it from accidentally turning on.
- If steam accumulates inside or around the outside of the oven door, wipe with a soft dry cloth. This may occur when cooking foods high in moisture or if the microwave oven is operated under high humidity conditions, this is normal.
- It is occasionally necessary to remove the glass turntable for cleaning. Wash the glass turntable in warm soapy water, rinse in clean water and dry thoroughly.
- The turntable roller and microwave oven floor should be cleaned regularly to ensure the glass turntable rotates correctly and avoids making excessive noise. Simply wipe the bottom surface of the microwave with a soft damp cloth. The turntable roller may be washed in mild soapy water, rinse in clean water and dry thoroughly. When removing the turntable roller from the cavity floor for cleaning, be sure to replace in the proper position.
- Remove odors from your microwave oven by combining a cup of water with the juice of one lemon in a deep microwave-safe bowl, microwave on 100% for 5 minutes. Wipe the microwave oven cavity thoroughly and dry with a soft cloth.
- When it becomes necessary to replace the oven light, please consult your Breville Service Center to have it replaced.
- Please do not dispose this appliance with domestic rubbish; it should be taken to the appropriate disposal center provided by the local council municipalities.
- If storing the microwave oven, press the STOP/CLEAR button and unplug the power cord. Ensure the microwave oven is completely cool, clean and dry. Secure the roller ring and glass turntable and close the door. Do not place heavy objects on top. Store the microwave oven upright.

BEFORE YOU CALL FOR SERVICE

- Check to ensure that the oven is plugged in securely. If it is not, remove the plug from the power outlet, wait 10 seconds and plug it in again securely.
- Check for a blown circuit fuse or a tripped main circuit breaker. If these seem to be operating properly, test the power outlet with another appliance.
- Check to ensure that the control panel is programmed correctly, and the timer is set.
- Check to ensure that the door is securely closed engaging the door safety lock system. Otherwise, the door safety lock system will prevent the microwave from switching on.



NOTE

If none of the above rectify the situation, then contact your Breville Service Center. Do not try to adjust or repair the oven yourself.



Troubleshooting

PROBLEM

EASY SOLUTION

Microwave oven interfering with radio, TV or similar equipment.

- Clean door and sealing surface of the oven.
- Reorient the receiving antenna of radio or television.
- Relocate the microwave oven with respect to the receiver.
- Move the microwave oven away from the receiver.
- Plug the microwave oven into a different outlet so that microwave oven and receiver are on different branch circuits.

Dim microwave oven light.

- When operating on low power levels, the microwave oven light may be dimmer.

Steam accumulating on door and hot air coming out from vents.

- During operation, steam may be produced. Most will exit through the vents, however some may accumulate around the oven door.

POSSIBLE PROBLEM

POSSIBLE REASON

EASY SOLUTION

Microwave oven will not start.

- Power cord not plugged in properly.
- Fuse blown or circuit breaker problem.
- Trouble with outlet.
- Unplug, put the plug in again and switch on.
- Replace the fuse or reset circuit breaker.
- Have a professional check that the outlet is not faulty.

Microwave oven does not heat.

- Door not closed properly.
- Ensure door is shut properly.

Glass turntable makes noise during operation.

- Turntable roller not assembled properly or needs to be cleaned.
- Reset and clean if necessary.

the Compact Wave™ Soft Close

Manuel d'instructions - BMO650



Breville®



Table des matières

- 23 Breville recommande la sécurité avant tout
- 33 Composants
- 34 Assemblage
- 36 Fonctions du four à micro-onde
- 38 Fonctions de cuisson
- 40 Trucs et astuces
- 41 Entretien et nettoyage
- 43 Guide de dépannage

BREVILLE RECOMMANDE LA SÉCURITÉ AVANT TOUT

Chez Breville, la sécurité occupe une place de choix. Nous concevons et fabriquons des produits de consommation sans jamais perdre de vue la sécurité de notre précieuse clientèle. De plus, nous vous prions d'être très vigilant lorsque vous utilisez un appareil électrique et de respecter les mesures de sécurité qui suivent.

IMPORTANTES MESURES DE SÉCURITÉ

LIRE TOUTES LES INSTRUCTIONS AVANT USAGE ET LES SAUVEGARDER À TITRE DE RÉFÉRENCE

- Ne retirez pas le couvercle du guide d'ondes logé sur le panneau droit de la cavité du micro-ondes. Ce couvercle ne fait pas partie de l'emballage et doit rester dans la cavité du four pour garantir un fonctionnement sécuritaire. Reportez-vous à la section Composants en page 33.
- Retirez et jetez en lieu sûr tout matériel d'emballage et toutes étiquettes promotionnelles avant d'utiliser le micro-ondes de Breville pour la première fois.
- Lisez et suivez les «MESURES POUR ÉVITER UNE POSSIBLE EXPOSITION À L'ÉNERGIE EXCESSIVE DES MICRO-ONDES» décrites en page 29.
- Cet appareil doit être relié à la terre. Branchez-le uniquement dans une prise électrique correctement reliée à la terre. Reportez-vous aux instructions de mise à la terre en page 31.

- Placez cet appareil uniquement dans un endroit conforme aux instructions d'installation fournies en page 34.
- Certains produits comme les œufs entiers et les contenants fermés – p. ex. , les pots en verre fermés – risquent d'exploser s'ils sont chauffés dans ce four.
- Cet appareil doit être utilisé uniquement aux fins décrites dans ce manuel. N'utilisez pas de produits chimiques corrosifs ou en aérosol dans le four. Ce type de four est spécialement conçu pour chauffer, cuire ou sécher les aliments et non pour une utilisation industrielle ou en laboratoire.
- Comme pour tout appareil, une surveillance étroite est requise lorsqu'utilisé par des enfants.
- N'utilisez pas cet appareil si le cordon ou la fiche sont endommagés, s'il ne fonctionne pas correctement ou s'il a été endommagé ou a subi une chute.
- Cet appareil doit être réparé uniquement par du personnel qualifié.
- Contactez le centre de service autorisé le plus près de chez vous pour faire vérifier, réparer ou ajuster l'appareil.
- Ne couvrez ni ne bloquez les ouvertures de l'appareil.
- Ne rangez pas l'appareil à l'extérieur.
- N'utilisez pas cet appareil à proximité de l'eau, près d'un évier de cuisine, dans un sous-sol humide ou près d'une piscine ou tout autre endroit similaire.
- N'immergez pas le cordon d'alimentation, la fiche ou l'appareil lui-même dans l'eau ou tout autre liquide.
- Gardez le cordon éloigné des surfaces chaudes.
- Ne laissez pas le cordon pendre d'une table ou d'un comptoir, toucher des surfaces chaudes ou se nouer.
- Pour nettoyer les surfaces de la porte et du four qui sont en contact lorsque la porte se ferme, utilisez uniquement du savon ou des détergents doux que vous appliquerez sur une éponge ou un chiffon doux. L'usage de produits chimiques corrosifs endommagera l'appareil et des radiations pourraient être émises.
- Pour réduire les risques de feu dans la CAVITÉ du four :
 - i) Ne pas surcuire les aliments. Soyez très attentif lorsque du papier, du plastique ou tout autre matériau combustible est placé à l'intérieur du four pour faciliter la cuisson.

- ii) Enlevez les attaches métalliques des sacs en papier ou en plastique avant de les placer dans le four.
- iii) Si des matériaux placés dans la CAVITÉ du four s'enflamment, maintenez la porte fermée, éteignez le four et débranchez-le, ou coupez l'alimentation au panneau de fusibles ou de disjoncteurs.
- iv) N'utilisez pas la CAVITÉ du four à des fins de rangement. N'y laissez pas de produits en papier, ustensiles de cuisine ou aliments lorsque le four est éteint.
- Pour éliminer tout risque de suffocation chez les jeunes enfants, retirez et jetez en lieu sûr l'enveloppe protectrice qui recouvre la fiche d'alimentation de l'appareil.
 - Ne placez pas le micro-ondes sur le bord d'un comptoir ou d'une table lorsqu'il est en marche. Assurez-vous que la surface de travail est de niveau, propre et exempte d'eau ou de toute autre substance.
 - Ne placez pas le micro-ondes sur ou près d'un brûleur à gaz ou d'un élément électrique, ou à un endroit où il pourrait toucher un four chaud.
 - Assurez-vous de laisser suffisamment d'espace au-dessus et autour du four, tel que recommandé dans la section Installation en page 34.
 - N'installez pas le micro-ondes dans une armoire ou un espace confiné, car il pourrait provoquer une surchauffe. Reportez-vous à la section Installation en page 34.
 - Faites toujours fonctionner le micro-ondes sur une surface résistant à la chaleur. Ne l'utilisez pas sur une surface recouverte de tissu ni près des rideaux ou autres matériaux inflammables.
 - N'utilisez pas le micro-ondes sur une surface métallique.
 - Assurez-vous toujours que le micro-ondes est correctement assemblé avant de le brancher dans une prise électrique et de le mettre en marche. Ne l'utilisez pas sans l'entraîneur de plateau et le plateau rotatif bien en place. Assurez-vous que le plateau rotatif est correctement positionné dans les empreintes de l'entraîneur de plateau.
 - Le micro-ondes n'est pas conçu pour fonctionner à l'aide d'une minuterie externe ou d'un système de commande à distance.

- N'utilisez jamais le micro-ondes sans aliment ou eau à l'intérieur. Le fait de faire fonctionner le micro-ondes à vide peut l'endommager.
- Ne laissez pas le micro-ondes sans surveillance lorsqu'il est en marche.
- Ne touchez pas les surfaces chaudes de l'appareil. Laissez-le tiédir avant de retirer ou de nettoyer les pièces.
- Assurez-vous toujours de débrancher l'appareil s'il n'est pas utilisé, ou avant de le déplacer, s'il est laissé sans surveillance et avant de le démonter, le nettoyer ou le ranger.
- Si vous n'utilisez pas le micro-ondes, éteignez-le d'abord en appuyant sur le bouton ARRÊT/PAUSE, puis débranchez-le de la prise électrique.
- Avant de nettoyer l'appareil, éteignez-le toujours en appuyant sur le bouton ARRÊT/PAUSE, puis débranchez-le de la prise électrique.
- Les liquides comme l'eau, le café ou le thé peuvent chauffer au-delà de leur point d'ébullition sans qu'ils semblent bouillir. CELA

POURRAIT ENTRAÎNER UN RISQUE SOUDAIN DE DÉBORDEMENT SI LA SURFACE DU LIQUIDE CHAUD OU LE CONTENANT SONT PERTURBÉS OU SI UNE CUILLÈRE OU UN USTENSILE EST INSÉRÉ DANS LE LIQUIDE.

IMPORTANTES CONSIGNES DE SÉCURITÉ POUR TOUT APPAREIL ÉLECTRIQUE

- Déroulez complètement le cordon avant usage.
- Il est recommandé de vérifier régulièrement l'appareil. Pour éviter tout risque de danger, n'utilisez pas l'appareil si le cordon d'alimentation, la fiche ou l'appareil sont endommagés de quelque façon que ce soit. Cessez immédiatement l'usage et contactez l'équipe de soutien aux consommateurs de Breville pour le faire vérifier, réparer ou ajuster.
- Pour tout entretien autre que le nettoyage, contactez l'équipe de soutien aux consommateurs de Breville.

- Cet appareil est conçu pour un usage domestique seulement. Ne l'utilisez pas à d'autres fins que celles prévues. Ne l'utilisez pas à l'extérieur ni dans un véhicule ou un bateau en mouvement. Une mauvaise utilisation peut causer des blessures.
- Une alimentation électrique de 120 Volts, 60 Hz avec courant alternatif seulement, 15-20 ampères avec fusible ou disjoncteur est requise, conformément à tous les codes et ordonnances fédéraux, provinciaux et locaux.
- De plus, nous vous recommandons de brancher le micro-ondes sur un circuit indépendant dédié à l'appareil.
- L'appareil est muni d'un court cordon qui réduit les risques de trébucher ou de s'enchevêtrer dans un cordon plus long.
- Des rallonges peuvent être utilisées, mais avec précaution.
- Si vous utilisez une rallonge :
 - i) La puissance nominale indiquée sur la rallonge doit être au moins équivalente à celle de l'appareil.
 - ii) La rallonge doit être à 3 fils, dûment reliée à la terre, et branchée dans une prise électrique correctement reliée à la terre.
 - iii) La rallonge ne doit pas pendre d'un comptoir ou d'une table où des enfants pourraient s'y suspendre ou trébucher involontairement.
- L'installation d'un courant résiduel (interrupteur de sécurité) est recommandée pour assurer une sécurité supplémentaire lors de l'utilisation d'un appareil électrique. Il est recommandé d'installer un interrupteur de sécurité à fonctionnement nominal n'excédant pas 30 mA sur le circuit électrique alimentant l'appareil. Consultez votre électricien pour des conseils professionnels.
- Cet appareil doit être branché à une prise électrique correctement reliée à la terre. Si vous n'êtes pas certain que la prise électrique est correctement reliée à la terre, veuillez consulter votre électricien.
- Ne modifiez en aucun cas la fiche d'alimentation et n'utilisez pas d'adaptateur.

MESURES DE SÉCURITÉ PARTICULIÈRES À VOTRE FOUR À MICRO-ONDES

- Après chaque usage, essayez la cavité du four avec un chiffon doux. Si des résidus

alimentaires ou du gras sont laissés à l'intérieur du four, cela pourrait entraîner un risque de surchauffe et provoquer de la fumée ou même un feu dans la cavité du four.

- Afin d'éliminer les éclaboussures d'aliments dans la cavité du four, nettoyez-le régulièrement. Le fait de ne pas maintenir le four propre pourrait entraîner une détérioration de la surface, nuire à sa durée de vie pratique et éventuellement créer une situation dangereuse.
- Le micro-ondes est conçu pour chauffer les aliments et les boissons. Faire sécher les aliments ou les vêtements, chauffer ou réchauffer les coussins, les chaussettes, les chiffons humides ou autres articles similaires peut entraîner des blessures ou un risque de feu.
- Tous les récipients en verre ou en plastique doivent être utilisés dans le plus strict respect des recommandations du fabricant.
- Les récipients ou plats utilisés dans le micro-ondes ne doivent pas excéder la largeur du plateau rotatif, au risque de nuire à la rotation du plateau ou d'entraîner une surcuisson

des aliments qui pourraient brûler ou prendre feu.

- Les aliments et/ou les liquides ne doivent pas être chauffés ou cuits directement sur le plateau rotatif en verre, mais plutôt placés dans un récipient à micro-ondes déposé sur le plateau rotatif.
- Les aliments et/ou les liquides ne doivent pas être chauffés ou cuits dans des récipients ou sacs en plastique ou en papier, sauf si autrement stipulé par le fabricant, en raison du risque d'explosion ou de feu.
- N'utilisez pas de récipients ou rouleaux en papier recyclé lors de la cuisson. Le papier recyclé peut contenir de fines particules métalliques ou impuretés qui pourrait provoquer des étincelles et/ou un feu.
- N'utilisez pas de récipients ou d'ustensiles en métal dans le micro-ondes, car ils pourraient provoquer des étincelles et/ou un feu.
- Le papier aluminium de qualité alimentaire ne doit pas être utilisé dans le four, car il pourrait provoquer des étincelles et/ou un feu.
- Avant d'insérer les récipients contenant du liquide ou des aliments, assurez-vous d'en

retirer les couvercles ou capuchons.

- Les couvercles ou capuchons des biberons ou pots d'aliments pour bébés doivent être retirés avant de les réchauffer dans le micro-ondes. Pour éviter de vous brûler ou de vous ébouillanter, agitez le contenant ou remuez le contenu et vérifiez la température avant de servir.
- Assurez-vous toujours d'avoir vérifié la température des boissons ou des aliments qui ont été chauffés ou cuits au micro-ondes avant de les boire, les consommer ou les servir.

MESURES POUR ÉVITER UNE POSSIBLE EXPOSITION À L'ÉNERGIE EXCESSIVE DES MICRO-ONDES

- Ne tentez pas de faire fonctionner ce four si la porte est ouverte, car cela pourrait entraîner un risque d'exposition nocive à l'énergie du micro-ondes. Il est important de ne pas manipuler ou altérer le système de verrouillage de sécurité.
- Ne placez aucun objet entre la façade du four et la porte et ne laissez pas de résidus de nettoyage ou de saleté

s'accumuler sur les surfaces d'étanchéité.

- N'utilisez pas le four si la porte ou les joints d'étanchéité sont endommagés. Cessez immédiatement l'usage et contactez l'équipe de soutien aux consommateurs de Breville pour faire vérifier le four, le réparer ou l'ajuster. Il est particulièrement important que la porte du four se ferme correctement et qu'aucune de ses pièces soit endommagée. Par ex., (1) porte tordue, (2) charnières ou loquets brisés ou desserrés, (3) joints de porte et surfaces d'étanchéité abimés.
- Ne placez aucun objet entre la porte et le montant de la porte du four.
- Le four ne doit être ajusté ou réparé que par du personnel qualifié.

LIQUIDES SURCHAUFFÉS

- Pour réduire le risque de blessures :
 - i) Ne surchauffez pas les liquides.
 - ii) Remuez le liquide avant de le chauffer et à mi-temps du cycle.
 - iii) N'utilisez pas de récipients à parois droites avec col étroit.
 - iv) Après avoir chauffé le récipient, laissez-le reposer court moment dans le micro-ondes avant de le retirer.
 - v) Soyez extrêmement prudent lorsque vous insérez une cuillère ou autre ustensile dans le récipient.
- Ne faites pas éclater de grains de maïs (popcorn) dans le micro-ondes, à moins qu'un tel usage soit clairement spécifié sur l'emballage. Certains grains peuvent ne pas éclater et risquent de trop cuire ou de brûler en éclatant. N'utilisez pas d'huile, sauf si recommandé par le fabricant. N'excédez pas le temps recommandé sur l'emballage (le temps ne doit pas dépasser 3 minutes). Une cuisson prolongée peut provoquer des brûlures ou un feu.
- Ne faites pas cuire d'aliments entourés d'une membrane

(comme les pommes de terre, le foie de poulet, les jaunes d'œuf, les huîtres, etc.) sans avoir préalablement percé la membrane plusieurs fois, permettant à la vapeur de s'échapper.

- Les œufs en coquille ou les œufs durs ne doivent pas être cuits ou chauffés dans le micro-ondes, car ils peuvent exploser durant ou en fin de cuisson ou après avoir été sortis du four.
- Ne faites pas chauffer d'huile ou de gras dans le four à micro-ondes, car l'huile et/ou le four pourraient surchauffer et/ou prendre feu.
- En cas de dégagement de fumée, éteignez le four et débranchez-le. Gardez la porte fermée pour étouffer les flammes.
- Ne tentez pas de faire fonctionner le four d'autres manières que celles décrites dans ce manuel d'instructions.
- Vérifiez si les ustensiles de cuisson sont compatibles au micro-ondes.
- Ne débranchez pas l'appareil et ne modifiez pas le cordon d'alimentation ou la prise électrique pendant que le four est en marche.

- Enroulez sans serrer le cordon lorsque vous rangez le micro-ondes. Ne l'enroulez pas autour du four.
- Lorsque vous chauffez des aliments dans des récipients en plastique ou en papier, gardez un œil sur le four en raison du risque de feu.
- La vitre de la porte a été spécialement traitée pour être plus durable et sécuritaire que le verre ordinaire, mais elle n'est pas incassable. En cas de chute ou de frappe violente, elle peut se briser ou s'affaiblir et éclater en mille morceaux sans raison apparente.
- Si vous voyez des étincelles, des arcs électriques ou des flammèches dans le micro-ondes, appuyez sur le bouton ARRÊT/Pause, corrigez le problème ou contactez l'équipe de soutien aux consommateurs de Breville.
- Une mauvaise utilisation de la fiche d'alimentation peut causer un risque d'électrocution.
- Si la prise électrique est standard à 2 alvéoles, il est de votre responsabilité et obligation de la faire remplacer par une prise électrique à 3 alvéoles.
- Ne coupez ni ne retirez en aucune circonstance la troisième broche (mise à la terre) du cordon d'alimentation et n'utilisez pas d'adaptateur.
- Consultez un électricien qualifié si vous ne maîtrisez pas parfaitement les consignes de mise à la terre, ou si un doute persiste quant à la mise à la terre adéquate de l'appareil.
- Nous ne recommandons pas d'utiliser une rallonge avec cet appareil.

INSTRUCTIONS DE MISE À LA TERRE

- Cet appareil est muni d'un cordon d'alimentation avec fil et fiche reliés à la terre. L'appareil doit être relié à la terre à l'aide d'une prise à 3 alvéoles correctement reliée à la terre. En cas de court-circuit, la mise à la terre réduira le risque d'électrocution.

INTERFÉRENCE AVEC LES APPAREILS RADIO/TÉLÉ

Cet équipement a été testé et déclaré conforme à la Section 18 des règles de la FCC. Son utilisation est soumise aux deux conditions suivantes :

- (1) il ne doit pas provoquer d'interférence nuisible, et
- (2) il doit accepter toute interférence reçue, y compris celles pouvant entraîner un fonctionnement inattendu.



ATTENTION

Tout changement ou modification non expressément approuvés par la partie responsable de la conformité risque d'invalider l'autorisation accordée à l'utilisateur d'utiliser cet appareil.



NOTE

Cet appareil utilise, génère et peut irradier de l'énergie de fréquences radio et, s'il n'est pas installé ou utilisé conformément au manuel d'instructions, peut causer de l'interférence nocive aux communications radio. Toutefois, il est possible qu'aucune interférence ne survienne dans une installation donnée. Si cet appareil provoque des interférences nuisibles à la réception radio ou télé, ce qui peut être déterminé en le mettant successivement hors et sous tension, l'utilisateur est invité à tenter d'éliminer les interférences en appliquant une ou plusieurs des mesures suivantes :

- Réorienter ou déplacer l'antenne réceptrice.

- Augmenter la distance séparant le four du récepteur.
- Rebrancher l'appareil sur une prise d'un circuit électrique différent de celui auquel le récepteur est connecté.

SPECIFICATIONS

Consommation électrique	120 V - 60 Hz; 1 350 W
Puissance de sortie	900 W - 2 450 MHz
Dimensions externes	11,5 po / 292 mm (H)
	19,1 po / 485 mm (L)
	16,4 po / 417 mm (P) avec poignée
	15,2 po / 387 mm (P) sans poignée
Diamètre du plateau rotatif	10,6 po (270 mm)
Poids net	Environ 27,5 lb (12,49 kg)
Capacité du four	0,9 pi cu / 25 L

Ces spécifications peuvent changer sans préavis.

FOR HOUSEHOLD USE ONLY SAVE THESE INSTRUCTIONS



- A. Vitre de la porte
- B. Poignée de la porte : Tirer pour ouvrir.
- C. Écran LED
- D. Bouton de NIVEAU DE PUISSANCE :
La puissance par défaut est P100 (100 %).
Lorsque le bouton est pressée à nouveau,
le NIVEAU DE PUISSANCE diminue par
tranches de 10 %, de P100 (100 %) à P10
(10 %).
- E. Fonctions DÉCONGELER et RÉCHAUFFER
- F. Fonction POPCORN
- G. Fonction MENU ALIMENT
- H. Fonction BOISSON
- I. Cadran de TEMPS
- J. Bouton MUET
- K. Bouton de DÉMARRAGE |+30 sec
Chaque pression du bouton ajoute 30 sec
de cuisson à la puissance (100 %).
- L. Bouton ARRÊT / PAUSE /
VERROUILLAGE POUR ENFANT
Appuyez et maintenez le bouton
ARRÊT/ PAUSE pendant 3 secondes pour
activer le verrouillage pour enfant.
- M. Bouton de RÉGLAGE DE L'HORLOGE
- N. Couvercle du guide d'ondes
Ne pas retirer pour assurer un
fonctionnement sécuritaire.



Assemblage

AVANT LA PREMIÈRE UTILISATION

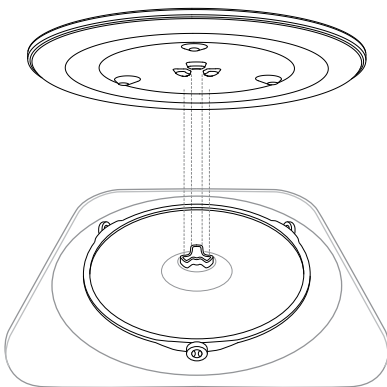
Avant la première utilisation, retirez tous les collants promotionnels et tout le matériel d'emballage. Déballez soigneusement le four à micro-ondes et conservez tout le matériel d'emballage jusqu'à ce que toutes les pièces de l'appareil soient assemblées. Il est recommandé de garder en lieu sûr tout le matériel d'emballage au cas où vous souhaiteriez réemballer le produit à des fins d'expédition.

Pour enlever la poussière accumulée lors de l'emballage, lavez l'entraîneur de plateau et le plateau rotatif en verre à l'eau chaude savonneuse, rincez et séchez soigneusement. Essayez l'intérieur et l'extérieur du four avec un chiffon doux et humide et séchez correctement.

ASSEMBLAGE DU PLATEAU ROTATIF EN VERRE

Insérez l'entraîneur de plateau à l'endroit prévu à l'intérieur du four.

Déposez le plateau rotatif sur l'entraîneur de plateau en faisant coïncider les encoches de la partie centrale.



INSTALLATION ET DÉMARRAGE DU FOUR À MICRO-ONDES

- Choisissez une surface plane qui offre suffisamment d'espace pour le bon fonctionnement des événements d'entrée et/ou de sortie.
- Un espace minimal de 4 po (10 cm) est requis entre le micro-ondes et les murs adjacents.
- Laissez un espace d'au moins 8 po (20 cm) au-dessus du four.
- Ne retirez pas les pieds sur le dessous du micro-ondes.
- Le fait de bloquer les événements d'entrée et/ou de sortie peut endommager le micro-ondes.
- Placez le micro-ondes aussi loin que possible de vos appareils radio et téléviseur.
- Le fonctionnement du micro-ondes peut causer de l'interférence aux récepteurs radio et téléviseur.
- Branchez le micro-ondes dans une prise domestique standard. Assurez-vous que la tension et la fréquence sont identiques à celles indiquées sur la plaque signalétique.
- Le micro-ondes ne doit pas être installé dans une armoire.





AVERTISSEMENT

- Pour éviter une surcharge du circuit électrique, il est recommandé de ne brancher aucun autre appareil sur le même circuit que le four à micro-ondes (ou autres appareils) en cours d'utilisation.
- N'installez pas le four à micro-ondes sur le dessus d'une cuisinière ou autres appareils générant de la chaleur. Si votre micro-ondes est installé près ou au-dessus d'une source de chaleur, il pourrait s'endommager et la garantie s'annulerait.
- Assurez-vous que le four ne présente aucune dommage, comme une porte mal alignée ou tordue, des charnières ou loquets brisés ou lâches, des bosses dans la cavité du four ou sur la porte. En cas de dommage, n'utilisez pas le four et contactez un centre de service autorisé Breville.
- N'immergez pas le four à micro-ondes, le cordon ou la fiche d'alimentation dans l'eau ou tout autre liquide.



Fonctions du four à micro-ondes

RÉGLAGE DE L'HORLOGE – AFFICHAGE SUR 12 HEURES

Appuyez sur le bouton de RÉGLAGE DE L'HORLOGE sur l'interface du panneau principal. Le four bipera une fois.

L'heure par défaut est 06:00. Les chiffres en surbrillance clignoteront pour indiquer qu'il peuvent être ajustés.

Tournez le cadran de TEMPS et appuyez sur le bouton de DÉMARRAGE ou de RÉGLAGE DE L'HORLOGE pour confirmer. Le four bipera une fois.

Les minutes clignoteront pour indiquer qu'elles peuvent être ajustées. Tournez le cadran DE TEMPS pour ajuster les minutes et appuyez sur le bouton de DÉMARRAGE ou de RÉGLAGE DE L'HORLOGE pour confirmer. Lorsque l'heure sera enregistrée, l'horloge clignotera deux fois et le four à micro-ondes bipera une fois.



NOTE

Si vous avez omis d'appuyer sur DÉMARRAGE pour confirmer les heures et les minutes, le four confirmera automatiquement votre sélection au bout d'une minute.

RÉGLAGE DU VERROUILLAGE POUR ENFANT

Appuyez et maintenez le bouton ARRÊT/PAUSE (⊗) pendant 3 secondes. Le message CHILD LOCK (Verrouillage pour enfant) clignotera 3 fois et le four bipera une fois.



Pour désactiver le VERROUILLAGE POUR ENFANTS, appuyez et maintenez le bouton ARRÊT/PAUSE pendant 3 secondes. L'heure sera affichée et vous pourrez disposer de toutes les fonctions de votre four.

MODE ATTENTE

Lorsque le micro-ondes est inactif depuis une minute, le mode ATTENTE s'active et l'heure est affichée.

Si l'horloge n'a pas été réglée, l'affichage restera à 00:00.



Si l'horloge a été réglée, l'heure sera affichée sur l'écran.

RÉGLAGE DU TEMPS ET DU NIVEAU DE PUISSANCE

Le temps de cuisson maximal de ce micro-ondes est de 95 minutes (95:00).

Dix niveaux sont disponibles.

Régler le temps ⌚

Tournez le cadran de TEMPS en sens horaire pour régler le temps désiré, puis appuyez sur le bouton de DÉMARRAGE.

Régler le niveau de puissance 📊

Appuyez sur le bouton de DÉMARRAGE. La puissance par défaut sera P100 (100 %). Si vous appuyez à nouveau sur cette bouton, le NIVEAU DE PUISSANCE passera de P100 (100 %) à P10 (10 %), par tranches de 10 %.

RÉGLAGE DYNAMIQUE DE LA PUISSANCE

Les paramètres du MENU ALIMENT ont été prédéterminés en fonction des temps de cuisson/niveaux de puissance pour assurer des résultats optimaux. Toutefois, selon vos préférences personnelles, vous pouvez ajuster le temps et la puissance durant le cycle de cuisson en utilisant le mode manuel.

Lorsque vous utilisez les fonctions DÉCONGELER, RÉCHAUFFER, POPCORN, BOISSON ou MENU ALIMENT, seul le temps peut être ajusté de manière dynamique.

En appuyant sur le bouton de DÉMARRAGE, le niveau de puissance peut être augmenté ou diminué à tout moment durant le cycle de cuisson.



NOTE

Le fait d'ajuster le niveau de puissance durant le préchauffage n'affectera pas le temps.

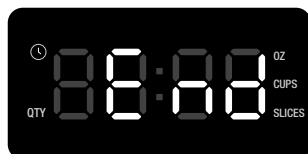
Le temps peut aussi être ajusté durant le cycle de cuisson. Si vous tournez le cadran de TEMPS, la durée peut être augmentée ou diminuée. Si vous appuyez sur le cadran de TEMPS, la durée augmentera de 30 secondes.

DÉMARRAGE INSTANTANÉ +30s

Appuyez sur le bouton de DÉMARRAGE | + 30s pour commencer la cuisson instantanée de 30 secondes à la puissance 100 %. Chaque pression additionnelle du bouton augmentera le temps de cuisson de 30 secondes.

FIN DE LA CUISSON

À la fin du cycle de cuisson, le micro-ondes bipera trois fois et le mot END clignotera sur l'écran pendant 5 minutes ou jusqu'à ce que la porte soit ouverte.



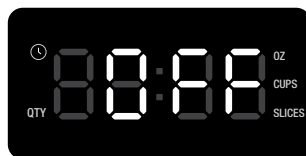
ARRÊT/PAUSE ⊗

Pour faire une pause durant la cuisson, appuyez une fois sur le bouton ARRÊT/PAUSE. Appuyez à nouveau sur le bouton pour arrêter la cuisson et retourner à l'écran par défaut.

MUET 🚫

Ce programme vous permet de couper le son du micro-ondes lorsqu'il est en marche.

Pour ce faire, sélectionnez le bouton MUET de l'interface principal. Une fois sélectionnée, aucun son ne se fera entendre et l'écran affichera OFF (éteint).



Pour désactiver ce programme, appuyez à nouveau sur le bouton MUET.



Fonctions de cuisson

Popcorn

La fonction POPCORN est conçue pour faire éclater le maximum de grains de maïs dans chaque sac.

Pour sélectionner cette fonction, appuyez sur le bouton POPCORN. Placez le sac au centre du plateau rotatif.

Tournez le cadran de TEMPS pour sélectionner le poids, ou appuyez à nouveau sur le bouton POPCORN, puis sur le bouton de DÉMARRAGE pour commencer la cuisson.

La sélection de poids est 1,2 oz, 3,2 oz et 3,5 oz (34 g, 91 g et 100 g).



Boisson

La fonction BOISSON (BEVERAGE) sert à réchauffer les boissons refroidies comme le café et le thé. Cette fonction réchauffera votre boisson à environ 140-150 °F (60-65 °C), température qui convient à une consommation immédiate.

Pour sélectionner cette fonction, appuyez sur le bouton BOISSON. Placez votre tasse au centre du plateau rotatif.

Tournez le cadran de TEMPS pour sélectionner le nombre de tasses, ou appuyez à nouveau sur le bouton BOISSON pour commencer le réchauffage. Votre sélection peut aller de 1 tasse (8 oz/250 ml) à 4 tasses (32 oz/960 ml).

À la fin du cycle de réchauffage, remuez la boisson chaude et laissez-la reposer 1 à 2 minutes avant de la boire. Notez qu'une boisson surchauffée peut vous brûler ou vous ébouillanter.



MENU ALIMENT

La fonction MENU ALIMENT est conçue pour cuire automatiquement les aliments à la puissance et au temps requis.

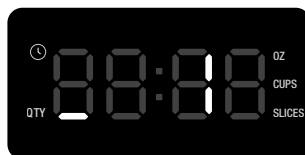
L'indicateur sur l'écran changera en fonction de l'aliment sélectionné. Ces indicateurs désignent la quantité ou le volume d'aliments qui peut être ajusté pour chaque fonction.

Pommes de terre

Le paramètre POMMES DE TERRE est conçu pour cuire parfaitement les pommes de terre dans le micro-ondes.

Placez les pommes de terre en une seule couche sur le plateau rotatif. Avant de les faire cuire, percez chacune d'elles à la fourchette 5 à 6 fois.

Pour sélectionner ce paramètre, appuyez une fois sur le bouton MENU ALIMENT. Le paramètre POMMES DE TERRE correspond au code F-1. Lorsque ce paramètre est sélectionné, l'écran ressemble à ceci :



Tournez le cadran de TEMPS pour sélectionner le nombre de pommes de terre et appuyez sur le bouton de DÉMARRAGE pour commencer la cuisson. Vous pouvez sélectionner de 1 (10oz/285g) à 3 (30oz/850g).

Pizza

Le paramètre PIZZA a été spécialement conçu pour réchauffer parfaitement les restes de pizza.

Pour sélectionner ce paramètre, appuyez deux fois sur le bouton MENU ALIMENT. Le paramètre PIZZA correspond au code F-2. Lorsque ce paramètre est sélectionné, l'écran ressemble à ceci :



Tournez le cadran de TEMPS pour sélectionner le nombre de tranches de pizza et appuyez sur le bouton de DÉMARRAGE pour commencer la cuisson. Vous pouvez sélectionner de 1 à 4 tranches.

Légumes congelés

Le paramètre LÉGUMES CONGELÉS convient à une sélection de légumes comme les carottes, le brocoli, le chou-fleur et les pois. Les temps de cuisson sont basés sur des légumes tout juste sortis du congélateur (environ 0 °F).

Pour sélectionner ce paramètre, appuyez trois fois sur le bouton MENU ALIMENT. Le paramètre LÉGUMES CONGELÉS correspond au code F-3. Lorsque ce paramètre est sélectionné, l'écran ressemble à ceci :



Tournez le cadran de TEMPS pour sélectionner le nombre de tasses et appuyez sur le bouton de DÉMARRAGE pour commencer la cuisson. Vous pouvez sélectionner 1 tasse (125 g) à 4 tasses (500 g).

Couvrez avec un couvercle en plastique ventilé pour micro-ondes ou une pellicule plastique perforée pour micro-ondes.

Une fois la cuisson terminée, laissez les légumes reposer 5 minutes avant de les servir.

DÉCONGELER

La fonction DÉCONGELER est conçue pour décongeler délicatement les aliments sans surchauffer ni dessécher le pourtour.

Après le cycle de décongélation, plusieurs aliments sont encore gelés au centre lorsqu'on les retire du four. Laissez-les reposer 5-15 minutes ou jusqu'à parfaite décongélation.

Pour sélectionner cette fonction, appuyez sur le bouton DÉCONGELER de l'interface principale. Cette fonction vous permettra de décongeler selon le poids ou selon le temps.

Décongeler selon le poids

Pour décongeler selon le poids, appuyez sur le bouton DÉCONGELER de l'interface principale. Quand Décongeler par poids est sélectionné, l'écran ressemble à ceci :



Tournez le cadran de TEMPS pour sélectionner le poids désiré. L'échelle varie entre 4 oz (110 g) et 48oz (1.36kg). Appuyez sur le bouton de DÉMARRAGE pour commencer.



Décongeler selon le temps ⌚

Pour décongeler selon le temps, appuyez une fois sur le bouton DÉCONGELER de l'interface principale. Quand Décongeler par temps est sélectionné, l'écran ressemble à ceci :



Tournez le cadran de TEMPS pour sélectionner le temps désiré et appuyez sur le bouton de DÉMARRAGE pour commencer.

RÉCHAUFFER ⌚

La fonction RÉCHAUFFER utilise les niveaux de puissance pour réchauffer délicatement les aliments sans les surchauffer ou les dessécher.

Pour sélectionner ce paramètre, appuyez sur le bouton RÉCHAUFFER de l'interface principale.

Tournez le cadran de TEMPS au temps désiré et appuyez sur le bouton de DÉMARRAGE.



Trucs et astuces

QUELQUES TRUCS IMPORTANTS SUR LA CUISSON AU MICRO-ONDES

Pour d'équilibrer le transfert d'énergie et favoriser une cuisson uniforme des aliments, voici quelques conseils utiles.

- Disposez les aliments de forme variée, comme les pilons de poulet et le brocoli, de sorte que la partie la plus épaisse ou coriace soit placée sur le pourtour du plat. L'énergie sera transférée aux parties plus difficiles à cuire et assurera une cuisson uniforme.
- Couvrir le plat durant la cuisson retient la chaleur et la vapeur et réduit le temps de cuisson. Utilisez un couvercle à micro-ondes ou une pellicule plastique perforée dont vous aurez replié un bord pour former un évent et laisser échapper l'excès de vapeur.
- Choisissez des plats de cuisson peu profonds et de préférence avec les côtés droits. Le peu de profondeur accélère la cuisson des aliments et les côtés droits empêchent le pourtour des aliments de trop cuire.
- Disposez les aliments ou items, comme les pommes de terre entières ou les ramequins, tout autour du plateau rotatif. Laissez un espace entre chacun pour que l'énergie pénètre de tous les côtés.
- Utilisez des plats pour micro-ondes de forme ronde, car ils assurent une cuisson plus uniforme que les plats carrés ou rectangulaires dont les coins absorbent presque toute l'énergie et procurent des aliments surcuits et durcis.
- Remuez les aliments de l'extérieur vers le centre du plat une ou deux fois durant la cuisson. Cela équilibrera la chaleur et la vitesse de cuisson.
- Tournez deux fois les aliments moyens ou gros durant la cuisson. Cela favorisera une exposition uniforme aux micro-ondes.

- Le fait de surélever certains types d'aliments tels que les gâteaux, les légumes rôtis ou les produits à base de pâte peut être avantageux. Cela permet à plus d'énergie de pénétrer dans les aliments de tous les côtés, de la base au sommet. Utilisez une grille en plastique ou en céramique adaptée au micro-ondes. Si une telle grille n'est pas disponible, utilisez un bol ou une tasse à l'envers pour surélever les assiettes. Ne surélevez pas les aliments qui brunissent facilement, les pots de sauce ou de crème anglaise, les petites quantités d'aliments ou les tasses de boisson.
- La température interne des aliments continue d'augmenter, même lorsqu'ils sont sortis du four. Il est préférable de ne pas trop les cuire.

USTENSILES POUR MICRO-ONDES

- Les récipients, assiettes ou plats utilisés dans le four doivent toujours être compatibles au micro-ondes. Vérifiez si cela est indiqué sous l'ustensile ou contactez le fabricant.
- Pour vérifier si un récipient, une assiette ou un plat est compatible au micro-ondes, placez-le dans le four avec une tasse d'eau froide (tasse allant au micro-ondes) et chauffez à la puissance 100 % pendant 1 minute. Si le récipient est chaud et l'eau est froide, ce récipient ne convient pas à la cuisson au micro-ondes. Cependant, si le récipient reste froid et l'eau est chaude, il convient à la cuisson au micro-ondes.
- Les plats compatibles au micro-ondes ne deviendront pas chauds par l'énergie des micro-ondes, mais plutôt par le contact avec les aliments chauds. Lorsque les aliments se réchauffent, un peu de cette chaleur est transféré au plat. Utilisez toujours des gants de cuisine ou des maniques pour retirer les plats du four.
- Les récipients et ustensiles en métal ne doivent pas être utilisés dans le four à micro-ondes.



Entretien et nettoyage

- Débranchez le four avant de le nettoyer.
- Gardez l'intérieur du four propre. Si des éclaboussures d'aliments ou de liquides se répandent sur les parois internes, essuyez-les avec un chiffon humide. Un détergent doux peut être utilisé si la cavité du four est très sale. Évitez d'utiliser un nettoyeur en aérosol ou autres produits durs qui pourraient tacher, marquer ou ternir la surface de la porte du four.
- Le boîtier du four doit être nettoyé avec un chiffon humide. Pour empêcher d'endommager les pièces de fonctionnement dans la cavité du four, ne laissez pas l'eau s'infiltrer dans les événements.
- Nettoyez fréquemment la porte et la vitre de la porte de chaque côté des joints et les pièces adjacentes à l'aide d'un chiffon humide pour enlever les éclaboussures ou déversements. N'utilisez pas de nettoyeur abrasif.
- Le panneau de commande ne doit pas être mouillé. Nettoyez-le avec un chiffon doux et humide et laissez la porte du micro-ondes ouverte pour empêcher que l'appareil ne démarre accidentellement.
- Si la vapeur s'accumule à l'intérieur ou autour de la porte du micro-ondes, essuyez-la avec un chiffon doux et sec. Cela peut se produire lors de la cuisson d'aliments à forte teneur en humidité ou si le four fonctionne dans un environnement très humide. Cela est tout à fait normal.
- Il peut être nécessaire, à l'occasion, de retirer le plateau rotatif pour le nettoyer. Lavez à l'eau chaude savonneuse, rincez et séchez soigneusement.
- L'entraîneur de plateau, le plateau rotatif et la surface intérieure du micro-ondes doivent être nettoyés régulièrement pour assurer une bonne rotation du plateau et éviter qu'il émette des bruits ennuyeux. Essuyez la surface inférieure du four avec un chiffon humide. Retirez l'entraîneur de plateau et lavez-le à l'eau savonneuse, rincez et séchez

soigneusement. Assurez-vous de le remettre bien en place après le nettoyage.

- Pour éliminer les odeurs à l'intérieur du four, mélangez une tasse d'eau et le jus d'un citron et versez cette solution dans un bol allant au micro-ondes. Chauffez à la puissance 100 % durant 5 minutes. Essuyez soigneusement l'intérieur du four et séchez-le correctement avec un chiffon doux et sec.
- Quand il sera approprié de changer la lampe de four, contactez un centre de service autorisé Breville pour la faire remplacer.
- Veuillez ne pas jeter cet appareil aux ordures ménagères. Apportez-le dans un centre de récupération de votre municipalité conçu à cet effet.
- Avant de ranger votre micro-ondes, éteignez-le en appuyant sur le bouton ARRÊT/PAUSE, puis débranchez-le de la prise murale. Assurez-vous qu'il est parfaitement refroidi, propre et séché. Fixez solidement l'entraîneur de plateau et le plateau rotatif et fermez la porte. Ne placez aucun objet lourd sur le dessus du four et rangez-le à la verticale sur ses pieds.

AVANT DE CONTACTER UN CENTRE DE SERVICE

- Assurez-vous que le four est branché correctement. Sinon, débranchez-le, attendez 10 minutes et rebranchez-le.
- Vérifiez si une fusible a sauté ou si le disjoncteur principal a été déclenché. Si tout semble normal, vérifiez le bon état de la prise en branchant un autre appareil dans la même prise.
- Assurez-vous que le panneau de commande est programmé correctement et que la minuterie est réglée.
- Assurez-vous que la porte est bien fermée et que le verrou de sécurité est bien enclenché. Sinon, le dispositif de verrouillage de sécurité de la porte empêchera le micro-ondes de le bouton de DÉMARRAGE.



NOTE

Si aucune de ces recommandations ne corrige le problème, contactez un centre de service autorisé Breville. Ne tentez pas d'ajuster ou de réparer vous-même l'appareil.



Guide de Dépannage

PROBLÈME

SOLUTION FACILE

Le micro-ondes crée de l'interférence avec la radio, la télé ou autre équipement similaire.

- Nettoyez la porte et la surface d'étanchéité du four.
- Réorientez l'antenne réceptrice de la radio ou du téléviseur.
- Remplacez le micro-ondes en tenant compte du récepteur.
- Éloignez le micro-ondes du récepteur.
- Branchez le micro-ondes dans une prise électrique autre que celle du récepteur, pour qu'ils soient branchés sur des circuits différents.

La lampe de four éclairer très peu.

- Si le four fonctionne à basse puissance, l'intensité de l'éclairage peut diminuer.

La vapeur s'accumule sur la porte et de l'air chaud s'échappe des événements.

- Le four peut générer de la vapeur lorsqu'il fonctionne. Presque toute cette vapeur s'échappera des événements. Cependant, un peu de vapeur peut s'accumuler autour de la porte du four.

PROBLÈME POSSIBLE

RAISON POSSIBLE

SOLUTION FACILE

Le micro-ondes ne démarre pas.

- Le cordon n'est pas branché correctement.
- Un fusible a sauté ou le disjoncteur est défectueux.
- La prise électrique est défectueuse.
- Débranchez et rebranchez l'appareil, puis faites-le démarrer.
- Remplacez le fusible ou réinitialisez le disjoncteur.
- Demandez à un électricien qualifié de vérifier l'état de la prise électrique.

Le micro-ondes ne chauffe pas.

- La porte n'est pas fermée correctement.
- Assurez-vous de bien fermer la porte.

Le plateau rotatif émet un bruit quand l'appareil fonctionne.

- L'entraîneur de plateau n'est pas inséré correctement ou doit être nettoyé.
- Remplacez l'entraîneur de plateau et nettoyez-le, si nécessaire.

Breville Consumer Support

USA

Mail: Breville USA
19400 S. Western Ave
Torrance CA
90501-1119

Phone: 1-866-273-8455
1-866-BREVILLE

Web: www.brevilleusasupport.com

Canada

Mail: Breville Canada
9800 Boulevard Cavendish,
Suite 250, Saint-Laurent,
Québec, H4M 2V2

Phone: 1-855-683-3535

Web: www.breville.ca/support

Breville®

Master Every Moment™

Breville, the Breville Logo, Master Every Moment and Compact Wave are trademarks of Breville Pty Ltd ("Breville") and Breville's products are distributed in the USA and Canada under license.

Breville, la Breville Logo, Master Every Moment et Compact Wave sont des marques de commerce de Breville Pty Ltd ("Breville") et les produits Breville sont distribués aux États-Unis et au Canada sous licence.

Copyright Breville Pty. Ltd. 2019.

Due to continued product improvement, the products illustrated/photographed in this booklet may vary slightly from the actual product.