

We wrote the book on quiet. The next chapter is flexibility.

Bosch Dishwashers



BOSCH

Invented for life

The quietest dishwasher brand¹ in the U.S. offers a third rack for more capacity and flexibility.

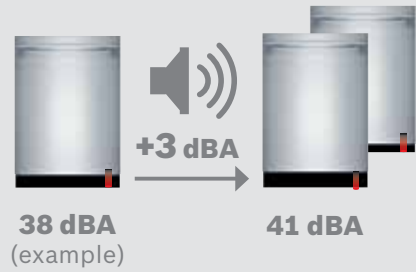
¹ Based on an average of sound ratings on major brands' websites. Major brands defined as Traqline Top 10 Brands, September 2013.

Best-in-Class Quiet

Bosch looks at noise reduction from every angle, incorporating 18 unique sound-reducing technologies. And as the quietest line of dishwashers in the U.S., all Bosch quiet levels are certified by an independent lab.

What's a decibel?

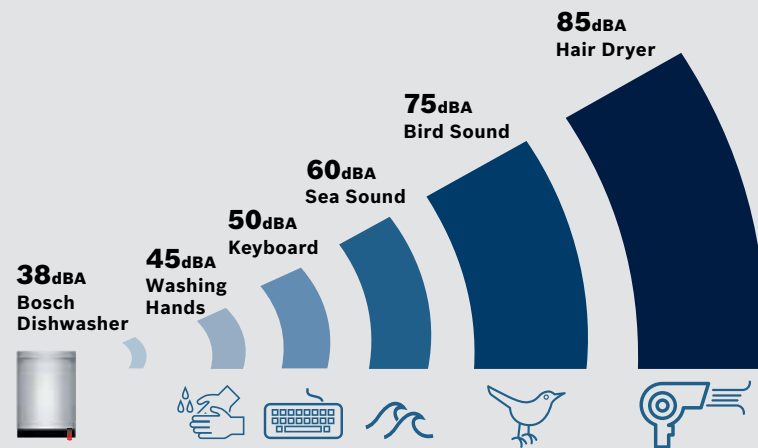
Noise is measured in decibels (dBA). A three decibel increase is the sound power equivalent of running two dishwashers at once.



Quietest Dishwasher Brand* in North America

Our 800 Plus model is the quietest model in North America, running at only 38 dBA.**

Understanding Decibels



Multiple Insulation Layers

Multiple layers of sound-absorbing insulation: Coated stainless steel, baked on bitumen, and cotton fiber dampen noise.



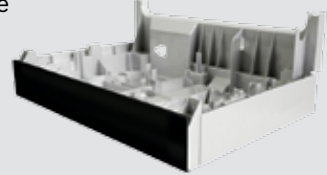
EcoSilence™ Motor System

Two small brushless motors instead of a single large one reduce friction and work more efficiently. Motors are held by a rubber suspender to absorb vibration. Drain pump detects when water is drained and stops motor immediately to minimize snorkeling noise.



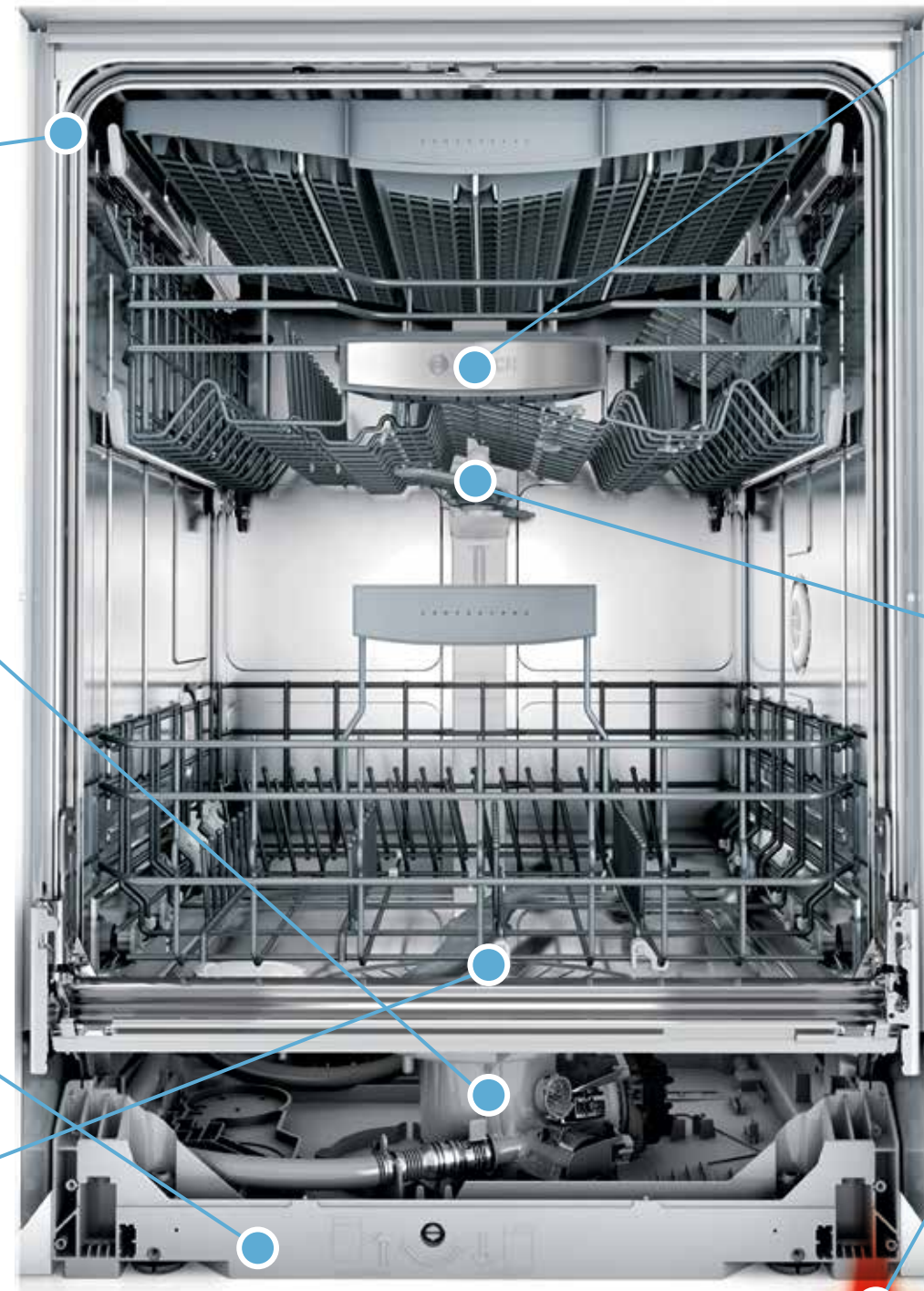
Solid Molded Base

Solid molded base absorbs sound while minimizing vibration.



Triple-filtration System

Grindless system filters out food particles, eliminating the need for a loud food disposal.



Detergent Tray

Optimized for tablets, this tray holds detergent in place for a dedicated spray jet to directly dissolve tablet and minimize spraying the door. (Note: dishwasher also works with powder and gel.)



Spray Arm

Spray arms project water directly towards dishes, reducing noise.



InfoLight®/TimeLight®

So quiet, we've added a light to let you know a cycle is running.



* Based on an average of sound ratings contained in major brand's websites. Major brands defined as TraQline Top 10 brands. September 2013.

** Based on sound ratings in the normal cycle, per IEC 60704-2-3 Standards, May 2013.

Precisely Designed

Bosch designers believe that form must always be balanced with function. Whether it's a new way to load your silverware and bulky items, or a seamless look with cabinets through our ultra-flush installation, our commitment to purposeful design is clear.



RackMatic®

Adjust the upper rack in just one step, even when loaded. Adjusts to three different heights and allows for up to 9 rack positions for ultimate loading flexibility.



Interior Light

A bright white interior light adds an aesthetic accent in the kitchen and makes loading easier in dim lighting.



Ergonomic Design

Control panels designed for perfect visibility without having to lean down.



Self-Latching Door

Door holds firm at any position and automatically shuts at less than 20°.

Design choices:

Four designs for every taste.



Pocket Handle

Recessed Handle

Bar Handle

Custom Panel

Design Highlights

Pocket Handle

Our new pocket handle design offers a clean look that integrates seamlessly into your kitchen without a handle protruding from the fascia. Available in stainless steel, black and white.



800 Series Design Upgrade

Upgrade to a 800 Series recessed handle or bar handle design for a fully wrapped stainless steel fascia panel* with a capacitive touch control. On the 800 Series recessed handle, upgrade to a sleek debossed logo.

Recessed



500 Series shown
Model#: SHE65T55UC

Bar Handle



500 Series shown
Model#: SHX65T55UC



800 Series shown
Model#: SHE68T55UC



800 Series shown
Model#: SHX68T55UC

* SHE model only

New Black and White Designs

Our classic black and white models step up their design with chrome enhancements available on 300 Series and up.



TFT Display

Check cycle status in high definition color and receive maintenance information such as when to refill rinse aid.



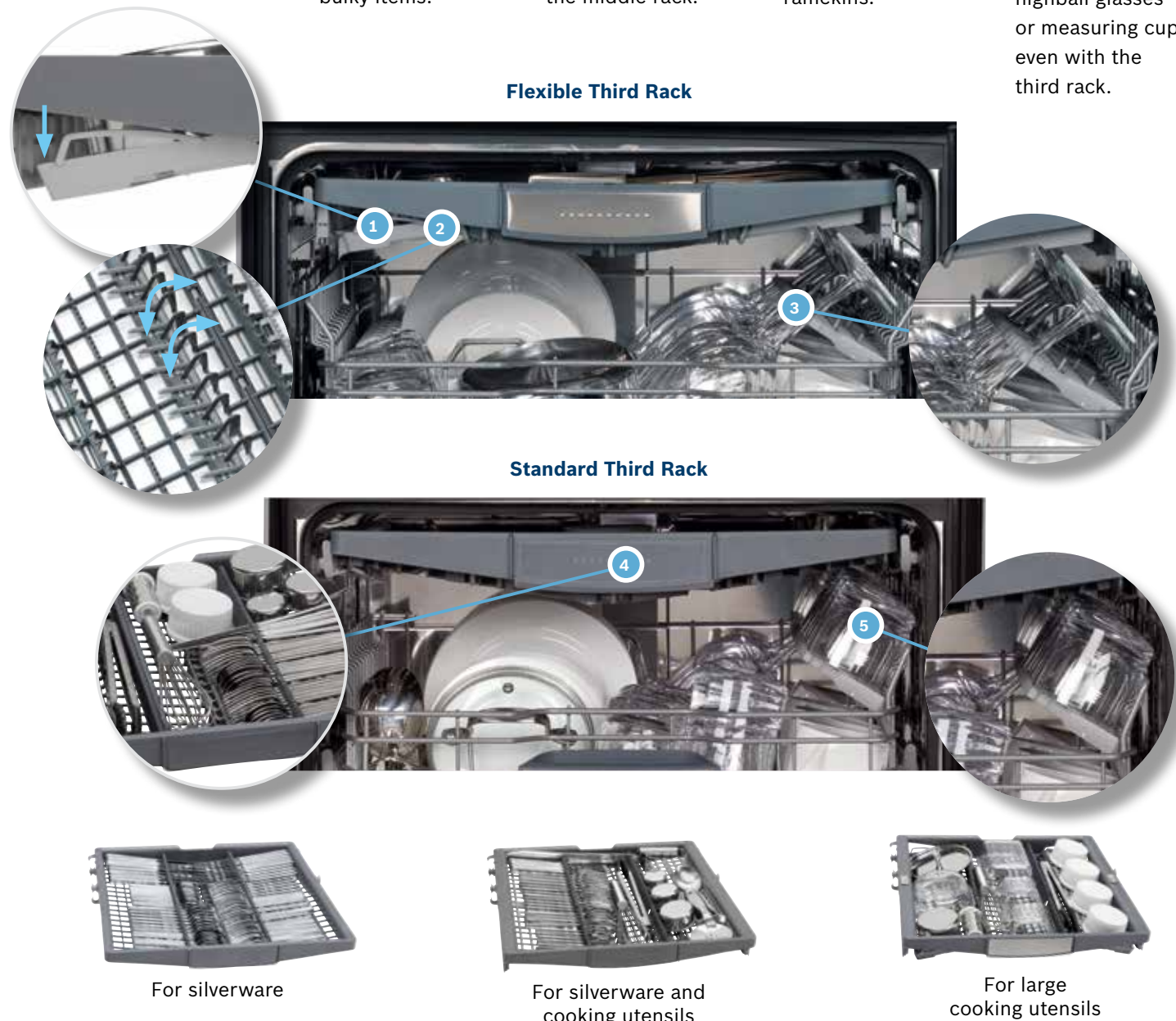
New Third Rack

What goes in a third rack? Anything you want. Bakers love the space for measuring cups and beaters. Chefs love the space for whisks and ramekins. Parents love the space for plastic containers. And some people use it instead of their silverware basket, claiming extra space for dishes down below. At Bosch, we've engineered our third rack to fit to your life and give you up to 30% more loading area*.

- 1 Expandable wings allow for loading more deep items.
- 2 Adjustable tines allow for more customized space based upon the size of awkward, bulky items.
- 3 Unique v-shape of our third rack allows for easy loading of extra tall stemware in the middle rack.
- 4 The center of our V-shaped rack provides the perfect space for large utensils or ramekins.
- 5 Using the lower position of RackMatic®, our middle rack can load two rows of highball glasses or measuring cups, even with the third rack.

Flexible Third Rack

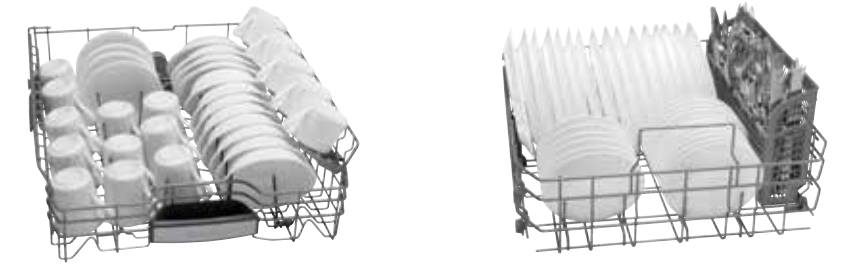
Standard Third Rack



Whatever You Have, We Can Hold

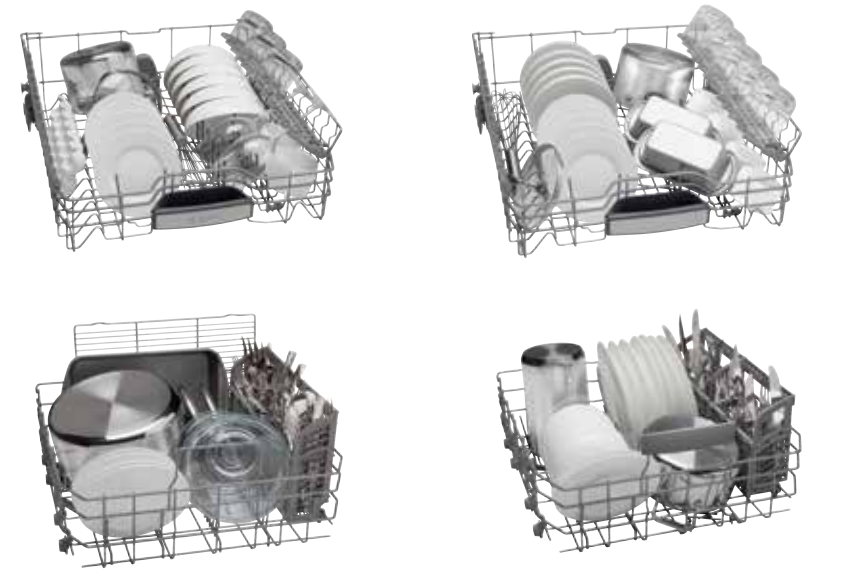
16 Place Settings

Our racks fit 16 full place settings including a dinner plate, salad plate, bowl, mug and 16 5-piece sets of cutlery.



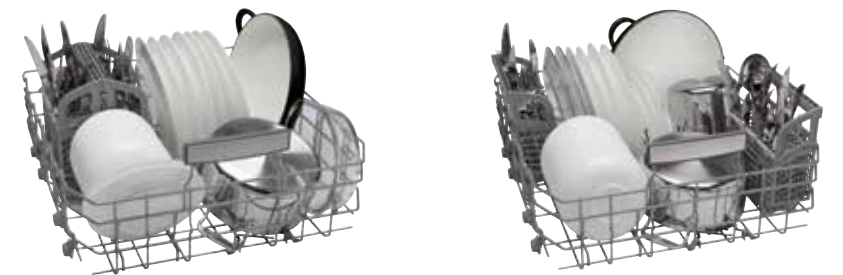
Everyday Loads

Because a lot more goes in dishwashers than dishes, our racks are designed to fit mixed loads of pots, pans and dishes, allowing you to clean up after dinner without any hand washing.



Silverware Basket

The Duo-Flex removable silverware basket can be placed anywhere in the dishwasher, offering ultimate flexibility.



*Compared to a Bosch dishwasher with two racks.

Exacting quality

Our roots in German engineering are part of what make Bosch unique. Every part of our manufacturing process reflects meticulous thought and optimization. No gadgets. No gizmos. We're committed to offering straightforward technologies that improve daily life. In fact, no one has fewer repairs than Bosch.*

Follow the quality of our products from the factory to a customer's home.

Thoughtful Engineering

Every part of our dishwashers reflect our high engineering standards.

Water Softener

Water softener removes hard water spots caused by lime deposits and softens water to the appropriate level for superior washing results.



SpeedPerfect™

SpeedPerfect delivers up to 25% faster cleaning with excellent results.



Half Load Option

This option can be used when washing small, lightly soiled loads that fill half or less of the dishwasher's capacity.

ActiveWater®

Technology that utilizes design, water pressure and efficiency to circulate 2.5 gallons of water into the cleaning power of more than 600 gallons. Available on all models.



Quality Materials

Stainless Steel Tub

We start with high quality stainless steel that comes with a lifetime warranty against tub rust through.



Dishwasher Filter

Our filter's corrugated shape, inspired by automotive filters, offers greater surface area for more complete filtration.



Testing

At our factories, assuring quality means a lot more than checking off a box.

Quality Checks

Not just good, but great. Every dishwasher must pass 485 rigorous quality checks before leaving our factory.

Water-Tested

As the brand that runs every dishwasher with water before shipping, we have to ensure that our units successfully run prior to getting to your home. Water spots in your brand new Bosch are proof that your unit passed the test!



Security

24/7 AquaStop®

AquaStop® is a precisely engineered tub and sensor system with a solid molded base to contain leaks. If a leak has occurred, it shuts down operation and automatically pumps out water to avoid contact with the floor. Now it even works 24/7 and can turn itself on.



Concealed Heating Element

Our concealed water heater prevents plastic items on the bottom rack from melting and protects against accidental burns.



Awards

When we talk about German Engineering, we're talking about our commitment to producing the world's best products. That's why Bosch dishwashers are the most awarded dishwasher brand worldwide*. You don't reach this achievement without being obsessed with the details. Over 100 engineers work under the strictest standards of German Engineering to make sure you have the best appliance in your home.

Best Value

Best value by a leading consumer publication**.



ENERGY STAR® Partner of the Year

ENERGY STAR® Sustained Excellence Award Recipient.



*According to a leading consumer publication.

*According to the 2012 worldwide count of "best in test" ratings from comparative dishwasher tests. **Based on a leading consumer publication, June 2012.

Dishwasher Specifications



Recessed Handle

Bar Handle

Custom Panel



Recessed Handle

Bar Handle

Custom Panel



Recessed Handle

Bar Handle

Pocket Handle

Custom Panel



Recessed Handle

Bar Handle

Pocket Handle

Custom Panel



Recessed Handle

Bar Handle

Pocket Handle

Custom Panel

	Benchmark™	Benchmark™	800 Plus Series	800 Series	800 Series	
Model Numbers	SHX9PT75UC ² Stainless Steel Bar Handle SHE9PT55UC ^{1,3} Stainless Steel Recessed Handle SHX9PT55UC ^{2,3} Stainless Steel Bar Handle SHV9PT53UC ^{2,3} Custom Panel	SHE8PT55UC ¹ Stainless Steel Recessed Handle SHX8PT55UC ² Stainless Steel Bar Handle SHV8PT53UC ⁵ Custom Panel	SHE7PT55UC ¹ Stainless Steel Recessed Handle SHE7PT52UC ¹ White Recessed Handle SHE7PT56UC ¹ Black Recessed Handle SHX7PT55UC Stainless Steel Bar Handle SHP7PT55UC Stainless Steel Pocket Handle SHV7PT53UC Custom Panel	SHE68TL5UC ¹ Stainless Steel Recessed Handle SHX68TL5UC Stainless Steel Bar Handle SHP68TL5UC ² Stainless Steel Pocket Handle SHV68TL3UC Custom Panel	SHE68T55UC ¹ Stainless Steel Recessed Handle SHX68T52UC ¹ White Recessed Handle SHE68T56UC ¹ Black Recessed Handle SHX68T55UC Stainless Steel Bar Handle SHX68T52UC White Bar Handle SHX68T56UC Black Bar Handle SHP68T55UC ² Stainless Steel Pocket Handle SHV68T53UC Custom Panel	
Key Features	As low as 38 dBA—Quietest Brand* Flexible 3rd Rack for Additional Loading Capacity InfoLight® Beams on Floor to Indicate Dishwasher is Running ⁴ SteelTouch Control Technology RackMatic® on Upper Rack—3 Height Adjustments and Up to 9 Possible Rack Positions AquaStop® Plus Leak Protection Works 24/7 Detergent Tray Optimizes Detergent Dissolving Self-Latching Door Water Softener Ensures Perfect Shine TFT—Full Color Clear Test Display	40 dBA—Quietest Brand* Flexible 3rd Rack for Additional Loading Capacity InfoLight® Beams on Floor to Indicate Dishwasher is Running ⁴ SteelTouch Control Technology RackMatic® on Upper Rack—3 Height Adjustments and Up to 9 Possible Rack Positions AquaStop® Leak Protection Works 24/7 Detergent Tray Optimizes Detergent Dissolving Self-Latching Door Water Softener Ensures Perfect Shine TFT—Full Color Clear Test Display	42 dBA—Quietest Brand* Flexible 3rd Rack for Additional Loading Capacity TimeLight® Beams on Floor to Indicate Dishwasher is Running ⁴ Touch Control Technology RackMatic® on Upper Rack—3 Height Adjustments and Up to 9 Possible Rack Positions AquaStop® Leak Protection Works 24/7 Detergent Tray Optimizes Detergent Dissolving Self-Latching Door Water Softener Ensures Perfect Shine	44 dBA—Quietest Brand* 3rd Rack for Additional Loading Capacity InfoLight® Beams on Floor to Indicate Dishwasher is Running ⁴ Touch Control Technology RackMatic® on Upper Rack—3 Height Adjustments and Up to 9 Possible Rack Positions AquaStop® Leak Protection Works 24/7 Detergent Tray Optimizes Detergent Dissolving Self-Latching Door	44 dBA—Quietest Brand* 3rd Rack for Additional Loading Capacity InfoLight® Beams on Floor to Indicate Dishwasher is Running ⁴ Touch Control Technology RackMatic® on Upper Rack—3 Height Adjustments and Up to 9 Possible Rack Positions AquaStop® Leak Protection Works 24/7 Detergent Tray Optimizes Detergent Dissolving Self-Latching Door	
Design	Stainless Steel Tall Tub Installs Perfectly Flush Flexible 3rd Rack for Additional Loading Capacity 15 Place Setting Capacity LED Remaining Time Display SteelTouch Control Technology RackMatic® on Upper Rack—3 Height Adjustments and Up to 9 Possible Rack Positions Flexible Silverware Basket TFT—Full Color Clear Test Display	Full Size Stainless Steel Tall Tub Installs Perfectly Flush Flexible 3rd Rack for Additional Loading Capacity 16 Place Setting Capacity LED Remaining Time Display SteelTouch Control Technology RackMatic® on Upper Rack—3 Height Adjustments and Up to 9 Possible Rack Positions Flexible Silverware Basket TFT—Full Color Clear Test Display	Full Size Stainless Steel Tall Tub Installs Perfectly Flush Flexible 3rd Rack for Additional Loading Capacity 16 Place Setting Capacity LED Remaining Time Display Touch Control Technology RackMatic® on Upper Rack—3 Height Adjustments and Up to 9 Possible Rack Positions Flexible Silverware Basket	Full Size Stainless Steel Tall Tub Installs Perfectly Flush 3rd Rack for Additional Loading Capacity 16 Place Setting Capacity LED Remaining Time Display Touch Control Technology RackMatic® on Upper Rack—3 Height Adjustments and Up to 9 Possible Rack Positions Flexible Silverware Basket	Full Size Stainless Steel Tall Tub Installs Perfectly Flush 3rd Rack for Additional Loading Capacity 16 Place Setting Capacity LED Remaining Time Display Touch Control Technology RackMatic® on Upper Rack—3 Height Adjustments and Up to 9 Possible Rack Positions Long Silverware Basket	
Performance	As low as 38 dBA—Quietest Brand* 6 Programs and 5 Options Detergent Tray Optimizes Detergent Dissolving Load Sensor Automates Wash Temperature Sanitize Option Eliminates Bacteria and Enhances Drying Results SpeedPerfect™ Option Reduces Cycle Time While Maintaining Cleaning Performance Water Softener Ensures Perfect Shine	40 dBA—Quietest Brand 6 Programs and 5 Options Detergent Tray Optimizes Detergent Dissolving Load Sensor Automates Wash Temperature Sanitize Option Eliminates Bacteria and Enhances Drying Results SpeedPerfect™ Option Reduces Cycle Time While Maintaining Cleaning Performance Water Softener Ensures Perfect Shine	42 dBA—Quietest Brand 6 Programs and 5 Options Detergent Tray Optimizes Detergent Dissolving Load Sensor Automates Wash Temperature Sanitize Option Eliminates Bacteria and Enhances Drying Results SpeedPerfect™ Option Reduces Cycle Time While Maintaining Cleaning Performance Water Softener Ensures Perfect Shine	44 dBA—Quietest Brand 6 Programs and 6 Options Detergent Tray Optimizes Detergent Dissolving Load Sensor Automates Wash Temperature Sanitize Option Eliminates Bacteria and Enhances Drying Results SpeedPerfect™ Option Reduces Cycle Time While Maintaining Cleaning Performance	44 dBA—Quietest Brand 6 Programs and 5 Options Detergent Tray Optimizes Detergent Dissolving Load Sensor Automates Wash Temperature Sanitize Option Eliminates Bacteria and Enhances Drying Results Extra Shine® Option Enhances Shine and Drying Results of your Dishes	
Efficiency	239 kwh/yr—ENERGY STAR® EcoSense® Reduces Energy Usage up to 20% Water Softener Ensures Perfect Shine Half Load Option for Small Loads	259 kwh/yr—ENERGY STAR® EcoSense® Reduces Energy Usage up to 20% Water Softener Ensures Perfect Shine Half Load Option for Small Loads	259 kwh/yr—ENERGY STAR® EcoSense® Reduces Energy Usage up to 20% Water Softener Ensures Perfect Shine Half Load Option for Small Loads	259 kwh/yr—ENERGY STAR® EcoSense® Reduces Energy Usage up to 20% Half Load Option for Small Loads	259 kwh/yr—ENERGY STAR® EcoSense® Reduces Energy Usage up to 20% Half Load Option for Small Loads	
Convenience	InfoLight® Beams on Floor to Indicate Dishwasher is Running ⁴ 24 h Delay Start Timer AquaStop® Plus Leak Protection Works 24/7 Self-Latching Door Express Wash—In 30 Minutes or Less	InfoLight® Beams on Floor to Indicate Dishwasher is Running ⁴ 24 h Delay Start Timer AquaStop® Leak Protection Works 24/7 Self-Latching Door Express Wash—In 30 Minutes or Less	TimeLight® Beams on Floor to Indicate Dishwasher is Running ⁴ 24 h Delay Start Timer AquaStop® Leak Protection Works 24/7 Self-Latching Door Express Wash—In 30 Minutes or Less	InfoLight® Beams on Floor to Indicate Dishwasher is Running ⁴ 24 h Delay Start Timer AquaStop® Leak Protection Works 24/7 Self-Latching Door Express Wash—In 30 Minutes or Less	InfoLight® Beams on Floor to Indicate Dishwasher is Running ⁴ 24 h Delay Start Timer AquaStop® Leak Protection Works 24/7 Self-Latching Door Express Wash—In 30 Minutes or Less	

Colors

Recessed Handle



Stainless Steel
(SHE68T55UC Model Shown)



Black
(SHE68T56UC Model Shown)



White
(SHE68T52UC Model Shown)

1 Does not include InfoLight®/TimeLight® feature. 2 Does not include TFT Display feature. 3 39 dBA. 4 Only applies to SHX/SHP/SHV dishwasher models.
5 Launch Q3 2014. * Based on an average of sound ratings contained in major brand's websites. Major brands defined as TraQline Top 10 brands, September 2013.

1 Does not include InfoLight®/TimeLight® feature. 2 Launch Q3 2014.
* Based on an average of sound ratings contained in major brand's websites. Major brands defined as TraQline Top 10 brands, September 2013.



Dishwasher Specifications



	500 Series	500 Series	300 Series	300 Series	Ascenta®	Ascenta®
Model Numbers	SHP65TL5UC Stainless Steel Pocket Handle SHP65TL2UC ² White Pocket Handle SHP65TL6UC ² Black Pocket Handle	SHE65T55UC ¹ Stainless Steel Recessed Handle SHE65T52UC ¹ White Recessed Handle SHE65T56UC ¹ Black Recessed Handle SHP65T55UC Stainless Steel Pocket Handle SHP65T52UC ² White Pocket Handle SHP65T56UC ² Black Pocket Handle SHX65T55UC Stainless Steel Bar Handle	SHE53TL5UC ¹ Stainless Steel Recessed Handle SHE53TL2UC ¹ White Recessed Handle SHE53TL6UC ¹ Black Recessed Handle SHP53TL5UC Stainless Steel Pocket Handle SHX53TL5UC Stainless Steel Bar Handle SHV53TL3UC Custom Panel	SHE53T55UC ¹ Stainless Steel Recessed Handle SHE53T52UC ¹ White Recessed Handle SHE53T56UC ¹ Black Recessed Handle SHX53T55UC Stainless Steel Bar Handle SHV53T53UC Custom Panel	SHX4AT75UC Stainless Steel Bar Handle	SHX4AT55UC Stainless Steel Bar Handle SHV4AT53UC ² Custom Panel (Limited Availability)
Key Features	44 dBA–Quietest Brand* 3rd Rack for Additional Loading Capacity InfoLight® Beams on Floor to Indicate Dishwasher is Running RackMatic® on Upper Rack–3 Height Adjustments and Up to 9 Possible Rack Positions AquaStop® Leak Protection Works 24/7 Detergent Tray Optimizes Detergent Dissolving Self-Latching Door	44 dBA–Quietest Brand* 3rd Rack for Additional Loading Capacity InfoLight® Beams on Floor to Indicate Dishwasher is Running RackMatic® on Upper Rack–3 Height Adjustments and Up to 9 Possible Rack Positions AquaStop® Leak Protection Works 24/7 Detergent Tray Optimizes Detergent Dissolving Self-Latching Door	46 dBA–Quietest Brand* InfoLight® Beams on Floor to Indicate Dishwasher is Running RackMatic® on Upper Rack–3 Height Adjustments and Up to 9 Possible Rack Positions AquaStop® Leak Protection Works 24/7 Detergent Tray Optimizes Detergent Dissolving Self-Latching Door	46 dBA–Quietest Brand* InfoLight® Beams on Floor to Indicate Dishwasher is Running* Manual Height Adjustment Upper Rack AquaStop® Leak Protection Works 24/7 Detergent Tray Optimizes Detergent Dissolving Self-Latching Door	49 dBA–Quietest Brand* InfoLight® Beams on Floor to Indicate Dishwasher is Running* RackMatic® on Upper Rack–2 Height Adjustments and Up to 6 Possible Rack Positions AquaStop® Leak Protection Works 24/7 Detergent Tray Optimizes Detergent Dissolving Self-Latching Door	49 dBA–Quietest Brand* InfoLight® Beams on Floor to Indicate Dishwasher is Running* RackMatic® on Upper Rack–2 Height Adjustments and Up to 6 Possible Rack Position AquaStop® Leak Protection Works 24/7 Detergent Tray Optimizes Detergent Dissolving Self-Latching Door
Design	Full Size Stainless Steel Tall Tub Installs Perfectly Flush 3rd Rack for Additional Loading Capacity 16 Place Setting Capacity LED Remaining Time Display RackMatic® on Upper Rack–3 Height Adjustments and Up to 9 Possible Rack Positions Flexible Silverware Basket	Full Size Stainless Steel Tall Tub Installs Perfectly Flush 3rd Rack for Additional Loading Capacity 16 Place Setting Capacity LED Remaining Time Display RackMatic® on Upper Rack–3 Height Adjustments and Up to 9 Possible Rack Positions Long Silverware Basket	Full Size Stainless Steel Tall Tub Installs Perfectly Flush 15 Place Setting Capacity LED Remaining Time Display RackMatic® on Upper Rack–3 Height Adjustments and Up to 9 Possible Rack Positions Long Silverware Basket	Full Size Stainless Steel Tall Tub Installs Perfectly Flush 15 Place Setting Capacity LED Remaining Time Display Manual Height Adjustment for Upper Rack Long Silverware Basket	Stainless Steel Tall Tub with Polypropylene 14 Place Setting Capacity LED Remaining Time Display RackMatic® on Upper Rack–2 Height Adjustments and Up to 6 Possible Rack Positions Flexible Silverware Basket	Stainless Steel Tall Tub with Polypropylene 14 Place Setting Capacity LED Remaining Time Display RackMatic® on Upper Rack–2 Height Adjustments and Up to 6 Possible Rack Positions Long Silverware Basket
Performance	44 dBA–Quietest Brand 5 Programs and 5 Options Detergent Tray Optimizes Detergent Dissolving Load Sensor Automates Wash Temperature Sanitize Option Eliminates Bacteria and Enhances Drying Results Extra Shine® Option Enhances Shine and Drying Results of your Dishes SpeedPerfect™ Option Reduces Cycle Time While Maintaining Cleaning Performance	44 dBA–Quietest Brand 5 Programs and 5 Options Detergent Tray Optimizes Detergent Dissolving Load Sensor Automates Wash Temperature Sanitize Option Eliminates Bacteria and Enhances Drying Results Extra Shine® Option Enhances Shine and Drying Results of your Dishes	46 dBA–Quietest Brand 4 Programs and 5 Options Detergent Tray Optimizes Detergent Dissolving Load Sensor Automates Wash Temperature Sanitize Option Eliminates Bacteria and Enhances Drying Results Extra Shine® Option Enhances Shine and Drying Results of your Dishes SpeedPerfect™ Option Reduces Cycle Time While Maintaining Cleaning Performance	46 dBA–Quietest Brand 4 Programs and 4 Options Detergent Tray Optimizes Detergent Dissolving Load Sensor Automates Wash Temperature Sanitize Option Eliminates Bacteria and Enhances Drying Results Extra Shine® Option Enhances Shine and Drying Results of your Dishes	49 dBA–Quietest Brand 4 Programs and 5 Options Detergent Tray Optimizes Detergent Dissolving Load Sensor Automates Wash Temperature Sanitize Option Eliminates Bacteria and Enhances Drying Results SpeedPerfect™ Option Reduces Cycle Time While Maintaining Cleaning Performance	49 dBA–Quietest Brand 4 Programs and 4 Options Detergent Tray Optimizes Detergent Dissolving Load Sensor Automates Wash Temperature Sanitize Option Eliminates Bacteria and Enhances Drying Results Extra Shine® Option Enhances Shine and Drying Results of your Dishes
Efficiency	259 kwh/yr–ENERGY STAR® EcoSense® Reduces Energy Usage up to 20% Half Load Option for Small Loads	259 kwh/yr–ENERGY STAR® EcoSense® Reduces Energy Usage up to 20% Half Load Option for Small Loads	259 kwh/yr–ENERGY STAR® EcoSense® Reduces Energy Usage up to 20%	259 kwh/yr–ENERGY STAR® EcoSense® Reduces Energy Usage up to 20%	279 kwh/yr–ENERGY STAR® EcoSense® Reduces Energy Usage up to 20% Half Load Option for Small Loads	279 kwh/yr–ENERGY STAR® EcoSense® Reduces Energy Usage up to 20%
Convenience	InfoLight® Beams on Floor to Indicate Dishwasher is Running 24 h Delay Start Timer AquaStop® Leak Protection Works 24/7 Self-Latching Door	InfoLight® Beams on Floor to Indicate Dishwasher is Running 24 h Delay Start Timer AquaStop® Leak Protection Works 24/7 Self-Latching Door	InfoLight® Beams on Floor to Indicate Dishwasher is Running 24 h Delay Start Timer AquaStop® Leak Protection Works 24/7 Self-Latching Door	InfoLight® Beams on Floor to Indicate Dishwasher is Running 24 h Delay Start Timer AquaStop® Leak Protection Works 24/7 Self-Latching Door	InfoLight® Beams on Floor to Indicate Dishwasher is Running 24 h Delay Start Timer AquaStop® Leak Protection Works 24/7 Self-Latching Door	InfoLight® Beams on Floor to Indicate Dishwasher is Running 24 h Delay Start Timer AquaStop® Leak Protection Works 24/7 Self-Latching Door

¹ Does not include InfoLight®/TimeLight® feature. ² Launch Q3 2014.
* Based on an average of sound ratings contained in major brand's websites. Major brands defined as TraQline Top 10 brands, September 2013.

¹ Does not include InfoLight®/TimeLight® feature.
² Q3 2014, Limited availability
* Based on an average of sound ratings contained in major brand's websites. Major brands defined as TraQline Top 10 brands, September 2013.



Dishwasher Specifications



Recessed Handle



Bar Handle



Recessed Handle



Recessed Handle



Bar Handle

	Ascenta®			Ascenta®			Ascenta®		
Model Numbers	SHE3AR75UC SHE3AR72UC SHE3AR76UC SHX3AR75UC ¹ SHX3AR72UC ¹ SHX3AR76UC ¹	Stainless Steel White Black Stainless Steel White Black	Recessed Handle Recessed Handle Recessed Handle Bar Handle Bar Handle Bar Handle	SHE3ARL5UC SHE3ARL2UC SHE3ARL6UC	Stainless Steel White Black	Recessed Handle Recessed Handle Recessed Handle	SHE3AR55UC SHE3AR52UC SHE3AR56UC SHX3AR55UC SHX3AR52UC SHX3AR66UC	Stainless Steel White Black Stainless Steel White Black	Recessed Handle Recessed Handle Recessed Handle Bar Handle Bar Handle Bar Handle
Key Features	50 dBA–Quietest Brand*			50 dBA–Quietest Brand*			50 dBA–Quietest Brand*		
	Manual Height Adjustment Upper Rack			Manual Height Adjustment Upper Rack			Manual Height Adjustment Upper Rack		
	Bosch Exclusive 24/7 Overflow Leak Protection			Bosch Exclusive 24/7 Overflow Leak Protection			Bosch Exclusive 24/7 Overflow Leak Protection		
	Self-Latching Door			Self-Latching Door			Self-Latching Door		
Design	Stainless Steel Tall Tub with Polypropylene			Stainless Steel Tall Tub with Polypropylene			Stainless Steel Tall Tub with Polypropylene		
	14 Place Setting Capacity			14 Place Setting Capacity			14 Place Setting Capacity		
	Multi-function LED with Remaining Time			Multi-function LED with Remaining Time			Multi-function LED with Remaining Time		
	Manual Height Adjustment Upper Rack			Manual Height Adjustment Upper Rack			Manual Height Adjustment Upper Rack		
	Long Silverware Basket			Long Silverware Basket			Long Silverware Basket		
Performance	50 dBA–Quietest Brand			50 dBA–Quietest Brand			50 dBA–Quietest Brand		
	6 Programs and 2 Options			5 Programs and 2 Options			4 Programs and 2 Options		
	Load Sensor Automates Wash Temperature			Load Sensor Automates Wash Temperature			Load Sensor Automates Wash Temperature		
	Sanitize Option Eliminates Bacteria and Enhances Drying Results			Sanitize Option Eliminates Bacteria and Enhances Drying Results			Sanitize Option Eliminates Bacteria and Enhances Drying Results		
Efficiency	279 kwh/yr–ENERGY STAR®			279 kwh/yr–ENERGY STAR®			279 kwh/yr–ENERGY STAR®		
	EcoSense® Reduces Energy Usage up to 20%			EcoSense® Reduces Energy Usage up to 20%			EcoSense® Reduces Energy Usage up to 20%		
	Half Load Cycle for Small Loads			Half Load Cycle for Small Loads			Half Load Cycle for Small Loads		
Convenience	Three-, Six-, Nine-hour Delay Start Timer			Three-, Six-, Nine-hour Delay Start Timer			Three-, Six-, Nine-hour Delay Start Timer		
	Bosch Exclusive 24/7 Overflow Leak Protection			Bosch Exclusive 24/7 Overflow Leak Protection			Bosch Exclusive 24/7 Overflow Leak Protection		
	Self-Latching Door			Self-Latching Door			Self-Latching Door		
	Express Wash–In 30 Minutes or Less			Express Wash–In 30 Minutes or Less			Express Wash–In 30 Minutes or Less		

¹ Does not include Multi-function LED with Remaining Time.
* Based on an average of sound ratings contained in major brand's websites. Major brands defined as TraQline Top 10 brands, September 2013.

Special Application Dishwasher Specifications



Recessed Handle



Bar Handle



Custom Panel



Recessed Handle



Custom Panel

	ADA Compliant 18"			ADA Compliant 24"		
Model Numbers	SPE5ES55UC SPX5ES55UC SPV5ES53UC	Stainless Steel Stainless Steel Custom Panel	Recessed Handle Bar Handle Custom Panel	SGE63E15UC SGE63E06UC SGV63E03UC	Stainless Steel Black Custom Panel	Recessed Handle Recessed Handle Custom Panel
Key Features	46 dBA–Quietest Brand*			49 dBA–Quietest Brand*		
	ADA Compliant for Lower Countertop Installation			ADA Compliant for Lower Countertop Installation		
	Solid Base Contains Sound & Prevents Leaks			Solid Base Contains Sound & Prevents Leaks		
	RackMatic® on Upper Rack–3 Height Adjustments and Up to 9 Possible Rack Positions			Manual Height Adjustment Upper Rack		
	AquaStop® Plus Leak Protection Works 24/7			AquaStop® Plus Leak Protection Works 24/7		
	Water Softener Ensures Perfect Shine			Water Softener Ensures Perfect Shine		
Design	Stainless Steel Euro Tub (Shorter Height)			Stainless Steel Euro Tub (Shorter Height)		
	Premium Racks with Single-Flexible Silverware Basket			Premium Racks with Single-Flexible Silverware Basket		
	9 Place Setting Capacity			14 Place Setting Capacity		
	LED Remaining Time Display			LED Remaining Time Display		
	RackMatic® on Upper Rack–3 Height Adjustments and Up to 9 Possible Rack Positions			Manual Height Adjustment Upper Rack		
	Flexible Silverware Basket			Flexible Silverware Basket		
Performance	46 dBA–Quietest Brand			49 dBA–Quietest Brand		
	4 Programs and 3 Options			6 Programs and 5 Options		
	Load Sensor Automates Wash Temperature			Load Sensor Automates Wash Temperature		
	Sanitize Option Eliminates Bacteria and Enhances Drying Results			Sanitize Option Eliminates Bacteria and Enhances Drying Results		
	Eco Cycle			Eco Cycle		
Efficiency	259 kwh/yr–ENERGY STAR®			234 kwh/yr–ENERGY STAR®		
	EcoSense® Reduces Energy Usage up to 20%			EcoSense® Reduces Energy Usage up to 20%		
	Half Load Option for Small Loads			Half Load Option for Small Loads		
Convenience	24 h Delay Start Timer			24 h Delay Start Timer		
	AquaStop® Plus Leak Protection Works 24/7			AquaStop® Plus Leak Protection Works 24/7		
	Express Wash–In 30 Minutes or Less			Express Wash–In 30 Minutes or Less		

* Based on an average of sound ratings contained in major brand's websites. Major brands defined as TraQline Top 10 brands, June 2013.

Colors



Stainless Steel
(SPX5ES55UC Model Shown)



Custom Panel
(SPV5ES53UC Model Shown)



Stainless Steel
(SGE63E15UC Model Shown)



Black
(SGE63E06UC Model Shown)



Dishwasher Accessories

Accessory Description	Accessory Model Numbers	Dishwasher Model Numbers
Stainless Steel Straight Bar Handle	SMZ1007UC	SHV models only
Stainless Steel Door with 2013 Stainless Steel Straight Bar Handle	SHZ1008UC	SHV models only
2012 and Prior Stainless Steel Curved Bar Handle	SGZ1007UC	SHV models only
Dishwasher Accessory Kit with Extra Tall Item Sprinkler, Vase/Bottle Holder, 3 Plastic Item Clips and Small Item Basket	SMZ5000	All 300/500/800/800 Plus/Benchmark models
Dishwasher Accessory Kit with Extra Tall Item Sprinkler, Vase/Bottle Holder, 3 Plastic Item Clips and Small Item Basket	SGZ1052UC	Ascenta® models only
Long Flexible Silverware Basket	SMZ4000UC	Ascenta®/300/500/800/800 Plus/Benchmark
Anti-tarnish Silverware Cassette with Clips	SMZ5002UC	All models
Dishwasher Softener Salt (4.4 lbs)	SGZ9091UC	SG_63E, SP_5E, 800 Plus and Benchmark models only
Dishwasher 3-Prong Power Cord for Ascenta®	SGZPC001UC	Ascenta® only
Dishwasher 3-Prong Power Cord Kit (rear connection)	SMZPC002UC	All 300/500/800/800 Plus/Benchmark models (excluding SH_9PT)
Dishwasher Supply and Drainage Hose Extension 76¾"	SGZ1010UC	All models
18" Dishwasher Accessory Hinge for 4" Toekick Height Installation	SMZ5003	SP_5ES models only



Water Softener

Our water softener removes hard water spots caused by lime deposits and softens water to the appropriate level for superior washing results. (SGZ9091UC)



Anti-tarnish Silverware Cassette

This specially designed cassette provides the best wash results and protection for your fine silverware. (SMZ5002UC)



Dishwasher Accessory Kit

This all-in-one bundle includes the Extra Tall Item sprinkler, vase/bottle holder, three plastic item clips and a small-item basket. (SMZ5000)



SMZPC002UC (Power cord)
This power cord kit can be used when installation does not require hard wiring.



Dishwasher Technical Details

	Main	Main	Main	Main	Main	Main	Main	Main	Main	DLX	Main	DLX
Model	Benchmark™	Benchmark™	Benchmark™	Benchmark™	Benchmark™		800 Plus Series	800 Plus Series	800 Plus Series	800 Series	800 Series	800 Series
Stainless Steel	SHX9PT75UC	SHE9PT55UC	SHX9PT55UC	SHE8PT55UC	SHX8PT55UC		SHE7PT55UC	SHP7PT55UC	SHX7PT55UC	SHE68TL5UC	SHE68T55UC	SHP68TL5UC*
White							SHE7PT52UC				SHE68T52UC	
Black							SHE7PT56UC				SHE68T56UC	
Custom panel			SHV9PT53UC		SHV8PT53UC				SHV7PT53UC			
Silence												
dBA	38	39	39	40	40		42	42	42	44	44	44
InfoLight®	■		■		■							■
TimeLight®								■	■			
Design												
Type	Bar Handle	Recessed Handle	Bar Handle / Custom Panel	Recessed Handle	Bar Handle / Custom Panel		Recessed Handle	Pocket Handle	Bar Handle / Custom Panel	Recessed Handle	Recessed Handle	Pocket Handle
New Deeper Stainless Steel Tub							■	■	■	■	■	■
Stainless Steel TallTub	■	■	■									
Control	SteelTouch Control	SteelTouch Control	SteelTouch Control	SteelTouch Control	SteelTouch Control		Touch Control	Touch Control	Touch Control	Touch Control	Touch Control	Touch Control
Display Type	Large LED	TFT & Large LED	Large LED	TFT & Large LED	Large LED		Large LED	Large LED	Large LED	Large LED	Large LED	Large LED
Interior Light	■	■	■	■	■							
Wash Cycles	6	6	6	6	6		6	6	6	6	6	6
Heavy	■	■	■	■	■		■	■	■	■	■	■
Auto	■	■	■	■	■		■	■	■	■	■	■
Normal	■	■	■	■	■		■	■	■	■	■	■
Express	■	■	■	■	■		■	■	■	■	■	■
Rinse / Rinse & Hold	■	■	■	■	■		■	■	■	■	■	■
Glass	■	■	■	■	■		■	■	■	■	■	■
Eco										■	■	■
Options	5	5	5	5	5		5	5	5	6	5	6
Delay Start	24 h	24 h	24 h	24 h	24 h		24 h	24 h	24 h	24 h	24 h	24 h
Half Load	■	■	■	■	■		■	■	■	■	■	■
Delicate	■	■	■	■	■		■	■	■	■	■	■
Sanitize	■	■	■	■	■		■	■	■	■	■	■
Extra Shine®										■	■	■
SpeedPerfect™	■	■	■	■	■		■	■	■	■	■	■
Efficiency												
Energy – kWh / year	239	239	239	259	259		259	259	259	259	259	259
ENERGY STAR® Qualified	■	■	■	■	■		■	■	■	■	■	■
Safety												
Leak Protection	24/7 AquaStop® Plus	24/7 AquaStop® Plus	24/7 AquaStop® Plus	24/7 AquaStop®	24/7 AquaStop®		24/7 AquaStop®	24/7 AquaStop®	24/7 AquaStop®	24/7 AquaStop®	24/7 AquaStop®	24/7 AquaStop®
PerfectDoor	■	■	■	■	■		■	■	■	■	■	■
Self-latching Door	■	■	■	■	■		■	■	■	■	■	■
ChildLock										■	■	■
Washer Sensor												
Load Size Sensor	■	■	■	■	■		■	■	■	■	■	■
Variable Spray Pressure	■	■	■	■	■		■	■	■	■	■	■
Place Setting Capacity	15	15	15	16	16		16	16	16	16	16	16
Third Rack												
Third Rack handle	Flexible with s/s	Flexible with s/s	Flexible with s/s	Flexible with s/s	Flexible with s/s		Flexible with s/s	Flexible with s/s	Flexible with s/s	Standard	Standard	Standard
Upper Rack												
Adjustability	3-Step RackMatic®	3-Step RackMatic®	3-Step RackMatic®	3-Step RackMatic®	3-Step RackMatic®		3-Step RackMatic®	3-Step RackMatic®	3-Step RackMatic®	3-Step RackMatic®	3-Step RackMatic®	3-Step RackMatic®
Detergent Tray	■	■	■	■	■		■	■	■	■	■	■
Handle	Detergent Tray w s/s	Detergent Tray w s/s	Detergent Tray w s/s	Detergent Tray w s/s	Detergent Tray w s/s		3-Step Detergent Tray	3-Step Detergent Tray	Detergent Tray w s/s	Detergent Tray w s/s	Detergent Tray w s/s	Detergent Tray w s/s
Ball Ends	■	■	■	■	■		■	■	■	■	■	■
Flip Tines	6	6	6	4	4		4	4	4	2	2	2
Cup Shelves	2 Flexible	2 Flexible	2 Flexible	2	2		2	2	2	2	2	2
Plastic Item Clips	6	6	6	3	3		3	3	3	3	3	3
Lower Rack												
Handle	With s/s inlay	With s/s inlay	With s/s inlay	With s/s inlay	With s/s inlay		With s/s inlay	With s/s inlay	With s/s inlay	Standard	Standard	Standard
Ball Ends	■	■	■	■	■		■	■	■	■	■	■
Flip Tines	6	6	6	4	4		4	4	4	2	2	2
Alternating Tines	■	■	■	■	■		■	■	■	■	■	■
Silverware Basket & Cover	Flexible	Flexible	Flexible	Duo-Flex	Duo-Flex		Duo-Flex	Duo-Flex	Duo-Flex	Duo-Flex	Long	Duo-Flex
Vase/Baby Bottle Holder	■	■	■	■	■		■	■	■	■	■	■
Display												
Remaining Time	■	■	■	■	■		■	■	■	■	■	■
Sanitized Indicator Light	■	■	■	■	■		■	■	■	■	■	■
Rinse Aid Indicator Light	■	■	■	■	■		■	■	■	■	■	■
End of Cycle Indicator	■	■	■	■	■		■	■	■	■	■	■
Features												
Water Softener	■	■	■	■	■		■	■	■	■	■	■
EcoSilence™ Two-Pump Motor System	■	■	■	■	■		■	■	■	■	■	■
Triple Filtration System	■	■	■	■	■		■	■	■	■	■	■
Flow Through Water Heater	■	■	■	■	■		■	■	■	■	■	■
Five Level Wash	■	■	■	■	■		■	■	■	■	■	■
Other												
Extra Tall Item Sprinkler	■	■	■	■	■		■	■	■	■	■	■
End of Cycle Sound	■	■	■	■	■		■	■	■	■	■	■
Power Cord w/Junction Box	■	■	■	■	■		■	■	■	■	■	■
Water Hose Included	■	■	■	■	■		■	■	■	■	■	■

Dishwasher Technical Details

	Main	DLX	Main	Main	DLX	Main	Main	DLX	Main	DLX	Main
Model	800 Series	800 Series	800 Series	500 Series	500 Series	500 Series	500 Series	300 Series	300 Series	300 Series	300 Series
Stainless Steel	SHP68T55UC*	SHX68TL5UC	SHX68T55UC	SHE65T55UC	SHP65TL5UC	SHP65T55UC	SHX65T55UC	SHE53TL5UC	SHE53T5UC	SHP53TL5UC	SHP53T55UC
White			SHX68T52UC	SHE65T52UC	SHP65TL2UC*	SHP65T52UC*		SHE53TL2UC	SHE53T2UC		
Black			SHX68T56UC	SHE65T56UC	SHP65TL6UC*	SHP65T56UC*		SHE53TL6UC	SHE53T6UC		
Custom panel		SHV68TL3UC	SHV68T53UC								
Silence											
dBA	44	44	44	44	44	44	44	46	46	46	46
InfoLight®	■	■	■	■	■	■	■	■	■	■	■
Design											
Type	Pocket Handle	Bar Handle / Custom Panel	Bar Handle / Custom Panel	Recessed Handle	Pocket Handle	Pocket Handle	Bar Handle	Recessed Handle	Recessed Handle	Pocket Handle	Pocket Handle
New Deeper Stainless Steel Tub	■	■	■	■	■	■	■	■	■	■	■
Control	Touch Control	Touch Control	Touch Control	Buttons	Buttons	Buttons	Buttons	Buttons	Buttons	Buttons	Buttons
Display Type	Large LED	Large LED	Large LED	LED	LED	LED	LED	LED	LED	LED	LED
Wash Cycles	6	6	6	5	5	5	5	4	4	4	4
Heavy	■	■	■	■	■	■	■	■	■	■	■
Auto	■	■	■	■	■	■	■	■	■	■	■
Normal	■	■	■	■	■	■	■	■	■	■	■
Express	■	■	■	■	■	■	■	■	■	■	■
Rinse / Rinse & Hold	■	■	■	■	■	■	■	■	■	■	■
Eco	■	■	■	■	■	■	■	■	■	■	■
Options	5	6	5	5	5	5	5	5	4	5	4
Delay Start	24 h	24 h	24 h	24 h	24 h	24 h	24 h	24 h	24 h	24 h	24 h
Half Load	■	■	■	■	■	■	■	■	■	■	■
Delicate	■	■	■	■	■	■	■	■	■	■	■
Sanitize	■	■	■	■	■	■	■	■	■	■	■
Extra Shine®	■	■	■	■	■	■	■	■	■	■	■
SpeedPerfect™	■	■	■	■	■	■	■	■	■	■	■
Efficiency											
Energy – kWh / year	259	259	259	259	259	259	259	259	259	259	259
ENERGY STAR® Qualified	■	■	■	■	■	■	■	■	■	■	■
Safety											
Leak Protection	24/7 AquaStop®	24/7 AquaStop®	24/7 AquaStop®	24/7 AquaStop®	24/7 AquaStop®	24/7 AquaStop®	24/7 AquaStop®	24/7 AquaStop®	24/7 AquaStop®	24/7 AquaStop®	24/7 AquaStop®
PerfectDoor	■	■	■	■	■	■	■	■	■	■	■
Self-latching Door	■	■	■	■	■	■	■	■	■	■	■
ChildLock	■	■	■	■	■	■	■	■	■	■	■
Washer Sensor											
EcoSense	■	■	■	■	■	■	■	■	■	■	■
Load Size Sensor	■	■	■	■	■	■	■	■	■	■	■
Variable Spray Pressure	■	■	■	■	■	■	■	■	■	■	■
Place Setting Capacity	16	16	16	16	16	16	16	15	15	15	15
Third Rack											
Third Rack handle	Standard	Standard	Standard	Standard	Standard	Standard	Standard	Standard	Standard	Standard	Standard
Upper Rack											
Adjustability	3-Step RackMatic®	3-Step RackMatic®	3-Step RackMatic®	3-Step RackMatic®	3-Step RackMatic®	3-Step RackMatic®	3-Step RackMatic®	3-Step RackMatic®	3-Step RackMatic®	3-Step RackMatic®	Manual
Detergent Tray	■	■	■	■	■	■	■	■	■	■	■
Handle	Detergent Tray w s/s	Detergent Tray w s/s	Detergent Tray w s/s	Detergent Tray w s/s	Detergent Tray w s/s	Detergent Tray w s/s	Detergent Tray w s/s	Detergent Tray	Detergent Tray	Detergent Tray	Detergent Tray
Ball Ends	■	■	■	■	■	■	■	■	■	■	■
Flip Tines	2	2	2	2	2	2	2	2	2	2	2
Cup Shelves	2	2	2	2	2	2	2	2	2	2	2
Plastic Item Clips	3	3	3	3	3	3	3	3	3	3	3
Lower Rack											
Handle	Standard	Standard	Standard	Handle Wire	Handle Wire	Handle Wire	Handle Wire	Handle Wire	Handle Wire	Handle Wire	Handle Wire
Ball Ends	■	■	■	■	■	■	■	■	■	■	■
Flip Tines	2	2	2	2	2	2	2	2	2	2	2
Silverware Basket & Cover	Long	Duo-Flex	Long	Long	Duo-Flex	Long	Long	Long	Long	Long	Long
Vase/Baby Bottle Holder	■	■	■	■	■	■	■	■	■	■	■
Display											
Remaining Time	■	■	■	■	■	■	■	■	■	■	■
Sanitized Indicator Light	■	■	■	■	■	■	■	■	■	■	■
Rinse Aid Indicator	■	■	■	■	■	■	■	■	■	■	■
End of Cycle Indicator	■	■	■	■	■	■	■	■	■	■	■
Features											
EcoSilence™ Two-Pump Motor System	■	■	■	■	■	■	■	■	■	■	■
Triple Filtration System	■	■	■	■	■	■	■	■	■	■	■
Flow Through Water Heater	■	■	■	■	■	■	■	■	■	■	■
Five Level Wash	■	■	■	■	■	■	■	■	■	■	■
Condensation Drying	■	■	■	■	■	■	■	■	■	■	■
Other											
Extra Tall Item Sprinkler	■	■	■	■	■	■	■	■	■	■	■
End of Cycle Sound	■	■	■	■	■	■	■	■	■	■	■
Power Cord w/Junction Box	■	■	■	■	■	■	■	■	■	■	■
Water Hose Included	■	■	■	■	■	■	■	■	■	■	■

*Q3 2014

*Q3 2014

Dishwasher Technical Details

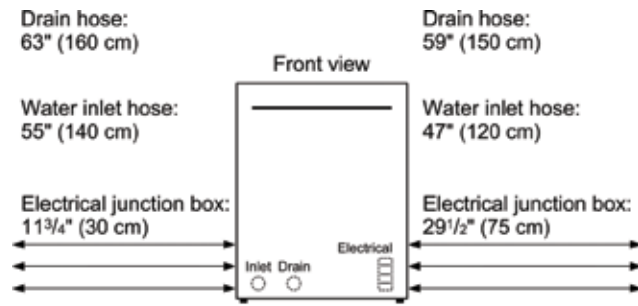
Special Application Dishwasher

	DLX	Main	Ascenta® DLX	Ascenta®	Ascenta®	Ascenta®	Ascenta® DLX	Ascenta®	Ascenta®	ADA Special Application	ADA Special Application	ADA Special Application	ADA Special Application
Model	300 Series	300 Series	Ascenta®	Ascenta®	Ascenta®	Ascenta®	Ascenta®	Ascenta®	Ascenta®	18" ADA	18" ADA	24" ADA	24" ADA
Stainless Steel	SHX53TL5UC	SHX53T55UC	SHX4AT75UC	SHX4AT55UC	SHE3AR75UC	SHX3AR75UC	SHE3ARL5UC	SHE3AR55UC	SHX3AR55UC	SPE5ES55UC	SPX5ES55UC	SGE63E15UC	
White					SHE3AR72UC	SHX3AR72UC	SHE3ARL2UC	SHE3AR52UC	SHX3AR52UC				
Black					SHE3AR76UC	SHX3AR76UC	SHE3ARL6UC	SHE3AR56UC	SHX3AR56UC			SGE63E06UC	SGV63E03UC
Custom panel	SHV53TL3UC	SHV53T53UC		SHV4AT53UC*							SPV5ES53UC		
Silence													
dBA	46	46	49	49	50	50	50	50	50	46	46	49	49
InfoLight®	■	■	■	■						■	■		■
Design													
Type	Bar Handle / Custom Panel	Bar Handle / Custom Panel	Bar Handle	Bar Handle / Custom Panel	Recessed Handle	Bar Handle	Recessed Handle	Recessed Handle	Bar Handle	Recessed Handle	Bar Handle / Custom Panel	Recessed Handle	Custom Panel
New Deeper Stainless Steel Tub	■	■											
Stainless Steel TallTub with PP *			■	■	■	■	■	■	■				
Stainless Steel TallTub										■	■	■	■
Control	Buttons	Buttons	Buttons	Buttons	Buttons	Buttons	Buttons	Buttons	Buttons	Buttons	Buttons	Buttons	Buttons
Display Type	LED	LED	LED	LED	LED	LED	LED	LED	LED	LED	LED	LED	LED
Wash Cycles	4	4	4	4	6	6	5	4	4	4	4	6	6
Heavy	■	■	■	■	■	■	■	■	■	■	■	■	■
Auto	■	■	■	■	■	■	■	■	■	■	■	■	■
Normal	■	■	■	■	■	■	■	■	■	■	■	■	■
Delicate					■	■						■	■
Express					■	■	■					■	■
Half Load					■	■	■	■	■				
Rinse / Rinse & Hold	■	■	■	■						■	■		
Glass												■	■
Options	5	4	5	4	2	2	2	2	2	3	3	5	5
Delay Start	24 h	24 h	24 h	24 h	3/6/9 h	3/6/9 h	3/6/9 h	3/6/9 h	3/6/9 h	24 h	24 h	24 h	24 h
Half Load			■	■						■	■	■	■
Delicate	■	■	■	■									
Sanitize	■	■	■	■	■	■	■	■	■	■	■	■	■
Extra Shine®	■	■		■									
Extra Dry			■	■									
SpeedPerfect™	■												
Eco												■	■
Extra Wash												■	■
Efficiency													
Energy – kWh / year	259	259	279	279	279	279	279	279	279	259	259	234	234
ENERGY STAR® Qualified	■	■	■	■	■	■	■	■	■	■	■	■	■
Safety													
Leak Protection	24/7 AquaStop®	24/7 AquaStop®	24/7 Overflow	24/7 Overflow	24/7 Overflow	24/7 Overflow	24/7 Overflow	24/7 Overflow	24/7 Overflow	24/7 AquaStop® Plus	24/7 AquaStop® Plus	24/7 AquaStop® Plus	24/7 AquaStop® Plus
PerfectDoor	■	■	■	■	■	■	■	■	■	■	■	■	■
Self-latching Door	■	■	■	■	■	■	■	■	■	■	■	■	■
ChildLock					■	■	■	■	■			■	■
Washer Sensor													
EcoSense	■	■	■	■	■	■	■	■	■	■	■	■	■
Load Size Sensor	■	■	■	■	■	■	■	■	■	■	■	■	■
Variable Spray Pressure	■	■	■	■	■	■	■	■	■	■	■	■	■
Place Setting Capacity	15	15	14	14	14	14	14	14	14	9	9	14	14
Upper Rack													
Adjustability	3-Step RackMatic®	Manual	2-Step RackMatic®	2-Step RackMatic®	Manual	Manual				3-Step RackMatic®	3-Step RackMatic®	Manual	Manual
Detergent Tray	■	■	■	■	■	■				■	■	■	■
Handle	Detergent Tray	Detergent Tray			Detergent Tray	Bosch Plastic				Bosch Plastic	Bosch Plastic	Detergent Tray	Detergent Tray
Flip Tines	2	2	2	2	1	1	1	1	1	2	2	2	2
Cup Shelves	2	2	2	2	2	2	1	1	1	2	2	2	2
Lower Rack													
Handle	Handle Wire	Handle Wire	Handle Wire	Handle Wire	Handle Wire	Handle Wire				Bosch Plastic	Bosch Plastic		
Flip Tines					1	1				2	2	2	2
Silverware Basket	Long	Long	Duo-Flex	Long	Long	Long	Long	Long	Long	Flexible	Flexible	Flexible	Flexible
Silverware Basket Cover	■	■	■	■	■	■	■	■	■	■	■	■	■
Display													
Remaining Time	■	■	■	■	■	■				■	■	■	■
Sanitized Indicator Light	■	■	■	■	■	■	■	■	■	■	■	■	■
Rinse Aid Indicator Light	■	■	■	■	■	■	■	■	■	■	■	■	■
End of Cycle Indicator	■	■	■	■	■	■	■	■	■	■	■	■	■
Features													
Water Softener										■	■	■	■
EcoSilence™ Two-Pump Motor System	■	■	■	■	■	■	■	■	■	■	■	■	■
Triple Filtration System	■	■	■	■	■	■	■	■	■	■	■	■	■
Flow Through Water Heater	■	■	■	■	■	■	■	■	■	■	■	■	■
Five Level Wash	■	■	■	■	■	■	■	■	■	■	■	■	■
Condensation Drying	■	■	■	■	■	■	■	■	■	■	■	■	■
Other													
Extra Tall Item Sprinkler												■	■
End of Cycle Sound	■	■	■	■							■	■	■
Power Cord with Junction Box Incl.	■	■								■	■	■	■
Water Hose Incl.	■	■								■	■	■	■

*Q3 2014, Limited availability

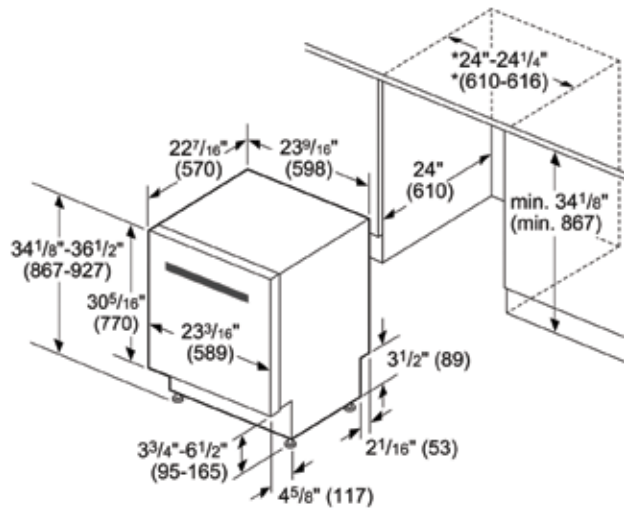
Dishwasher Dimensions and Installation

SHE9PT55UC, SHX9PT55UC, SHX9PT75UC



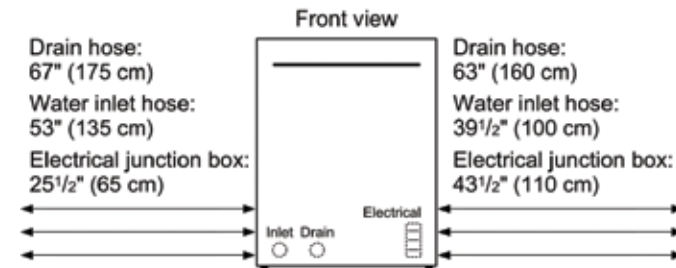
All connections are at the rear of the appliance. Extension for drain hose available as accessory. Power cord for connection to electrical outlet (3-prong plug) available as accessory.

measurements in inches (mm)



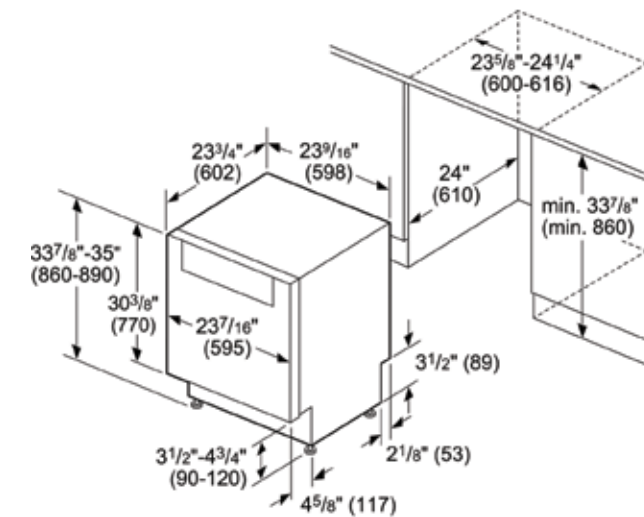
*23 5/8" (600) without decor strips
measurements in inches (mm)

Recessed, Bar, and Pocket Handle Dishwashers (300, 500, 800, 800 Plus, Benchmark™)



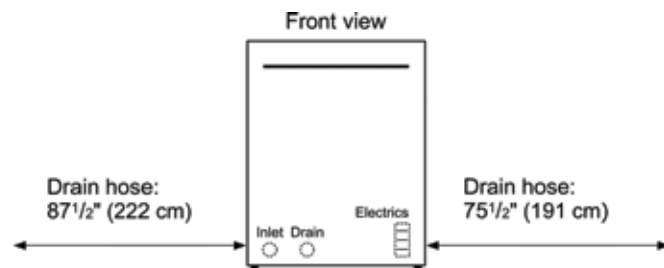
All connections are at the rear of the appliance. Extension for drain hose available as accessory. Power cord for connection to electrical outlet (3-prong plug) available as accessory.

measurements in inches (mm)



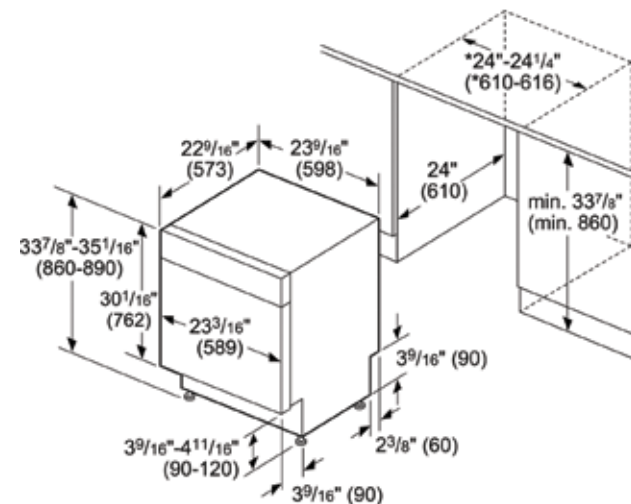
measurements in inches (mm)

Ascenta® Recessed and Bar Handle



The electrical junction box and water inlet are at the front of the appliance, the drain at the rear.

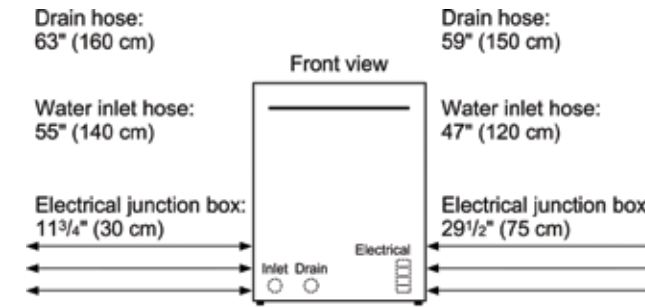
measurements in inches (mm)



*23 5/8" (600) without decor strips
measurements in inches (mm)

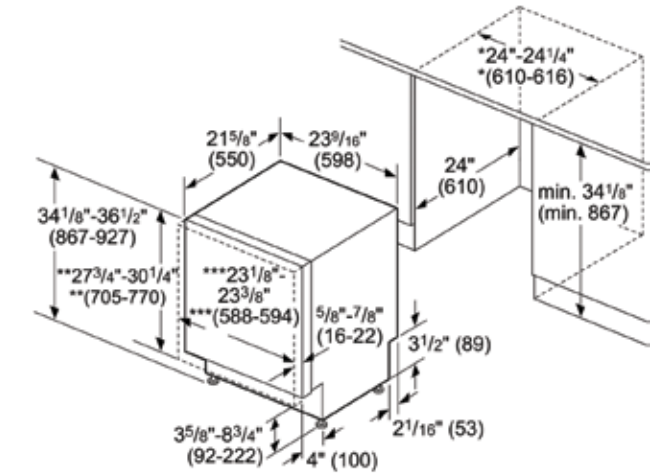
Custom Panel Dishwashers

SHV9PT53UC



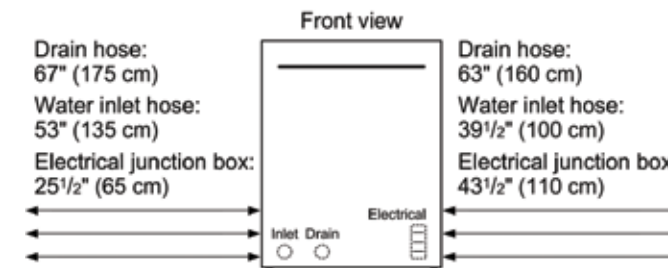
All connections are at the rear of the appliance. Extension for drain hose available as accessory. Power cord for connection to electrical outlet (3-prong plug) available as accessory.

measurements in inches (mm)



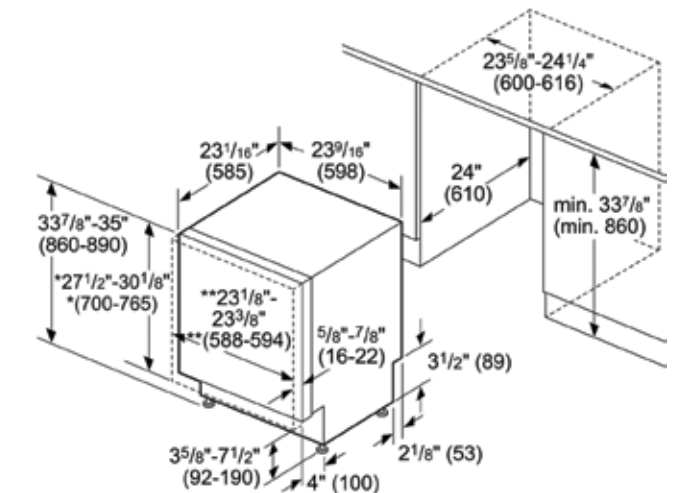
* 23 5/8" (600 mm) without decor strips
** measured from the bottom edge of the countertop panel thickness recommended 3/4" (20 mm), panel weight 7-22 lbs (3-10 kg)
*** 24" (610 mm) wide panel may be used depending on cabinet design
measurements in inches (mm)

SHV7PT53UC, SHV68T**UC, SHV53T**UC



All connections are at the rear of the appliance. Extension for drain hose available as accessory. Power cord for connection to electrical outlet (3-prong plug) available as accessory.

measurements in inches (mm)

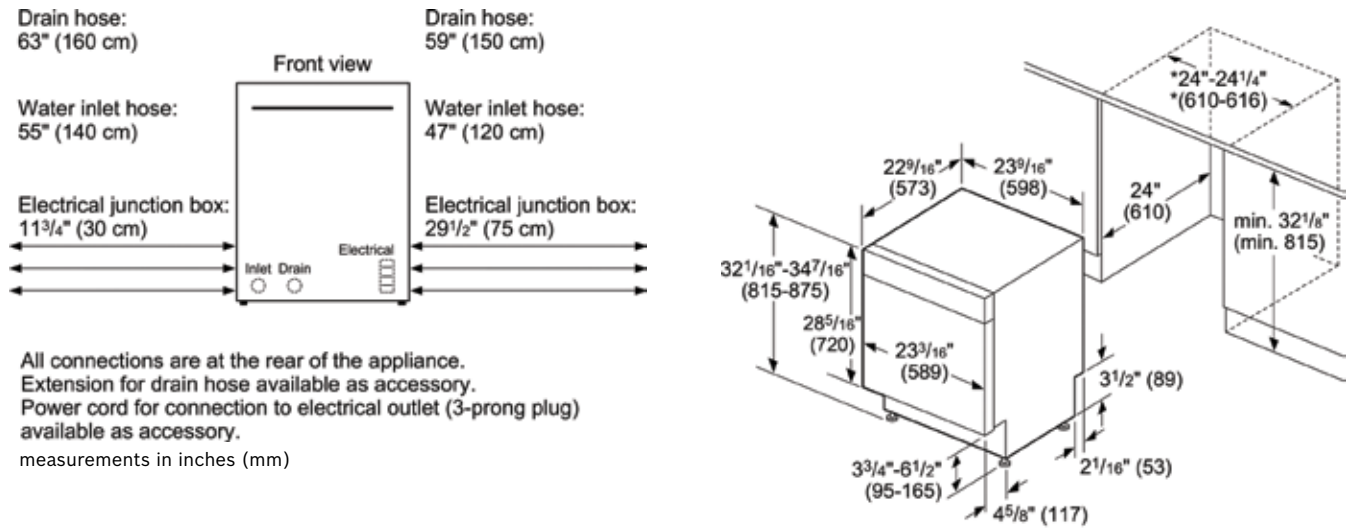


* measured from the bottom edge of the countertop panel thickness recommended 3/4" (20 mm), panel weight 7-22 lbs (3-10 kg)
** 24" (610 mm) wide panel may be used depending on cabinet design
measurements in inches (mm)

Dishwasher Dimensions and Installation

Special Application / ADA Dishwashers

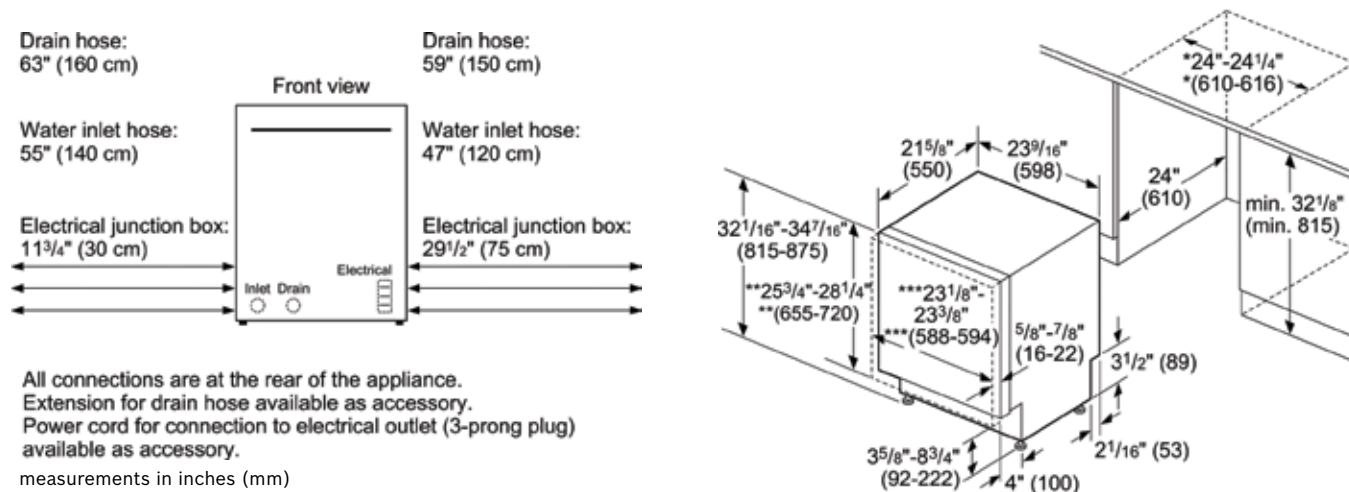
SGE63E15UC, SGE63E06UC



All connections are at the rear of the appliance.
 Extension for drain hose available as accessory.
 Power cord for connection to electrical outlet (3-prong plug) available as accessory.
 measurements in inches (mm)

* 23⁹/₁₆" (600) without decor strips
 measurements in inches (mm)

SGV63E03UC

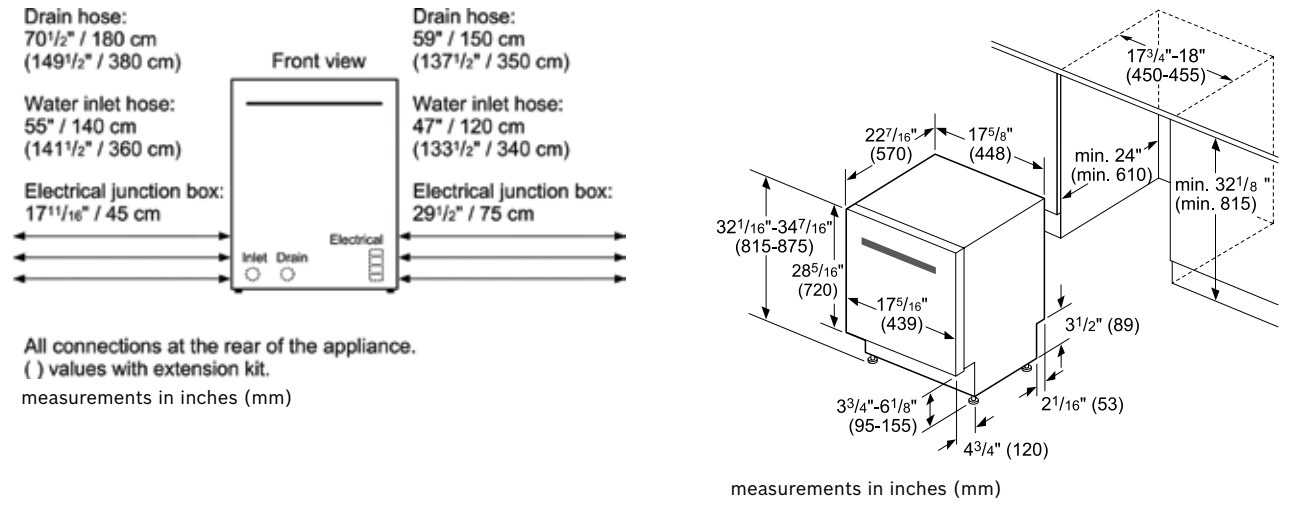


All connections are at the rear of the appliance.
 Extension for drain hose available as accessory.
 Power cord for connection to electrical outlet (3-prong plug) available as accessory.
 measurements in inches (mm)

* 23⁵/₈" (600 mm) without decor strips
 ** measured from the bottom edge of the countertop panel recommended 3/4" (20 mm), panel weight 6-18 lbs (2.5-8.5 kg)
 *** 24" (610 mm) wide panel may be used depending on cabinet design
 measurements in inches (mm)

Special Application / 18" Dishwashers

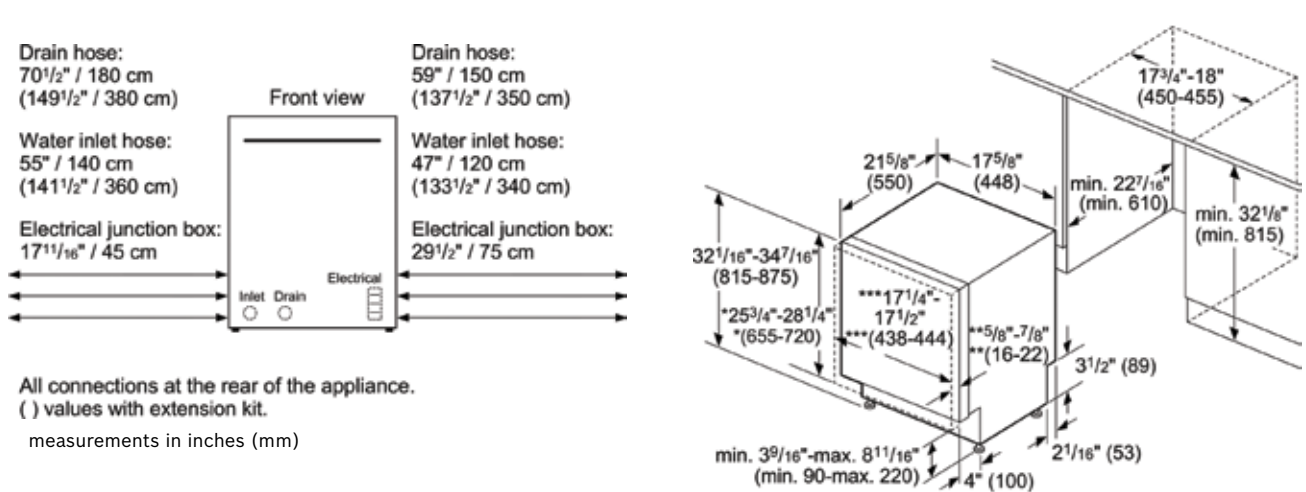
SPE5ES55UC, SPX5ES55UC



All connections at the rear of the appliance.
 () values with extension kit.
 measurements in inches (mm)

measurements in inches (mm)

SPV5ES53UC



All connections at the rear of the appliance.
 () values with extension kit.
 measurements in inches (mm)

* measured from the bottom edge of the countertop panel
 ** panel weight 6-16 lb (2.5-7.5 kg)
 *** 18" (450 mm) wide panel may be used depending on cabinet design
 measurements in inches (mm)



BOSCH
Invented for life

Bosch Home Appliances

1901 Main Street, Suite 600

Irvine, CA 92614

1.800.944.2904

www.bosch-home.com/us (U.S.)

www.bosch-home.ca (Canada)

©2013 BSH Home Appliances Corporation. ©2013 BSH Home Appliances Ltd.
All rights reserved. Bosch is a registered trademark of Robert Bosch GmbH.
All information presented herein is based on data available at the time of printing
and is subject to change without notice.

BSH#13-BOS-0253. 12/13 MG