



STOP — don't take the unit back to the store.
LOOK — for the toll-free "help" telephone number
LISTEN — as our experts talk you through the problem.

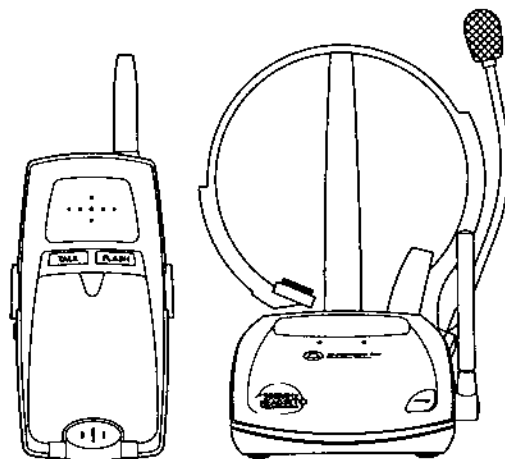
For immediate answers to your questions regarding operation,
missing parts or installation, call the
Southwestern Bell Freedom Phone®
Retail Sales Help Line:
1-800-366-0937
Monday - Friday 8:30a.m. - 9:00p.m. EST
Saturday 8:30a.m. - 12:30p.m. EST
<http://www.swbfreedomphone.com>



User's Manual for Cordless Telephone FF940

**Southwestern Bell
Freedom Phone®**

Fold open this manual for information about this telephone's installation and operation. Please read the **Important Safety Instructions** included in this manual.



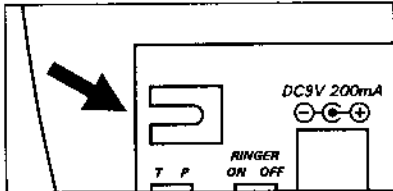
SOUTHWESTERN BELL FREEDOM PHONE®
7475 North Glen Harbor Boulevard, Glendale, AZ 85307
FF940 IB- 3637 Printed in China



INSTALLATION.....

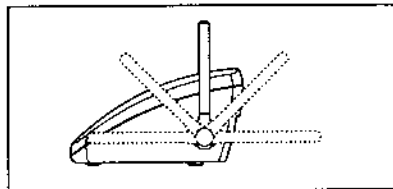
Release the Headset

Release the Headset cord from the base.



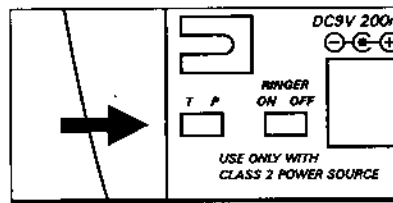
Antennas

Adjust base antenna to upright position.



Set Tone/Pulse Switch

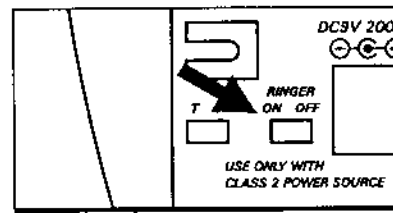
Set switch (back of base) to correct dialing mode TONE or PULSE.



Please check with local phone company if uncertain of type of service.

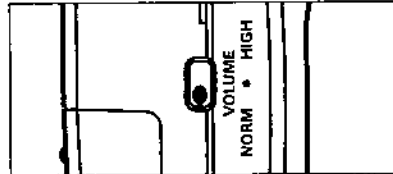
Ringer On/Off

Set switch (back of base) to ON or OFF. Ringer switch must be ON for handset to ring during incoming calls.



Receiver Volume Control

Set switch (left side of handset) to Norm, Mid or High.



To recharge battery pack, place handset in base and:

1. Make sure contact points are touching and CHARGE LED is lit.
2. Be careful not to short battery with conducting materials such as rings, bracelets and keys.

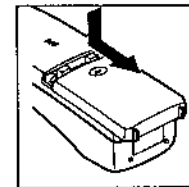
Replace battery every 2 years. Use only a Southwestern Bell Freedom Phone® approved Ni-MH battery in your cordless phone.

Handset Battery Charging

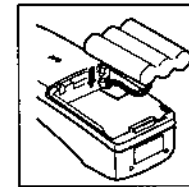
The battery pack in the handset must be fully charged 10-14 hours before using the telephone for the first time.

1. Place handset in base. The CHARGE LED on base will light.
2. After batteries are fully charged, check for dial tone by pressing TALK on handset.
3. When handset battery gets low, there will be 2 beeps every 30 seconds. The TALK BUTTON will flash. Return to cradle for charging.
4. If battery becomes low while you are on a call, you will be disconnected after about 2 minutes. Terminate the call quickly and recharge battery.

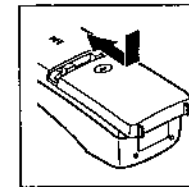
To Replace Batteries:



1. Remove battery cover.



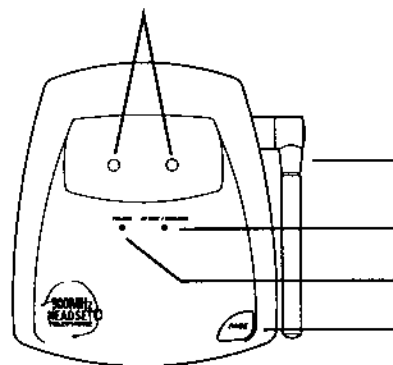
2. Remove old battery.



3. Plug the cord of the battery pack into the handset and place the battery in the case.

4. Slide battery cover until it clicks in place. Charge 10-14 hours before first use.

Charging Contacts



Base Antenna

In use / Charge light

Power light

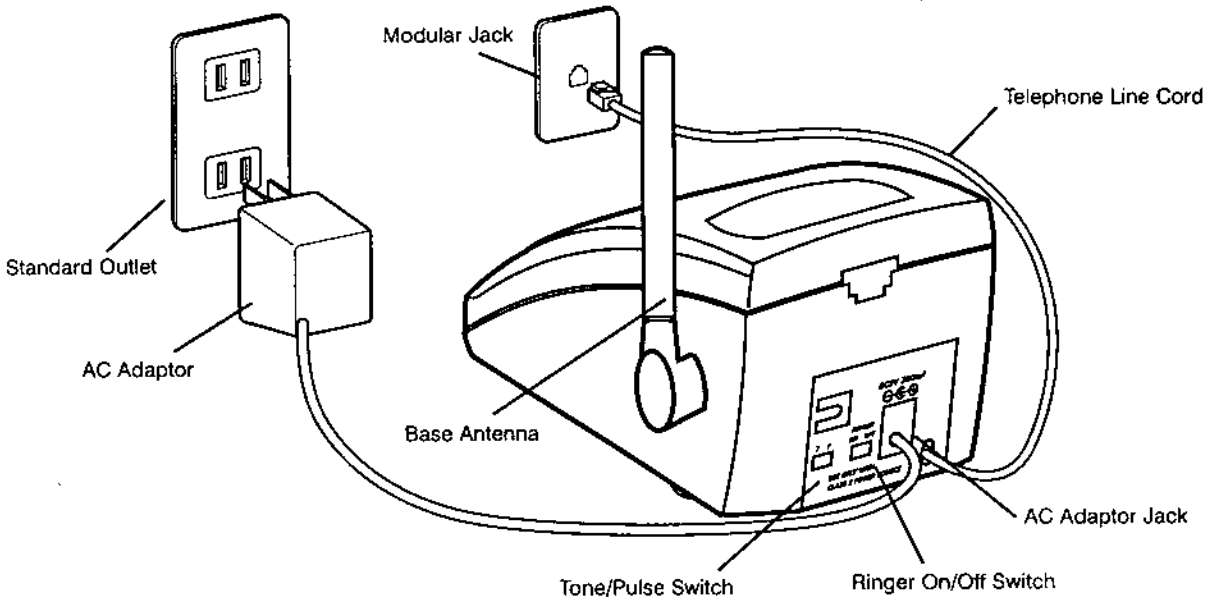
Page button

INSTALLATION.....



CAUTION

1. Never install a telephone during a lightning storm.
2. Never install a telephone in a wet location.
3. Never touch uninsulated telephone wires or terminals.
4. Use caution when installing a telephone line.



120 Volt Outlet / Telephone Jack

1. This phone requires a modular phone jack (RJ11) and a standard 120 volt outlet.
2. Plug phone directly into outlet.
3. Do not plug other appliances into outlet or have outlet controlled by a wall switch.

Desk Top Installation

1. Plug the line cord into modular jack.
2. Press until locking lever clicks.
3. Connect AC adaptor into back of unit and plug directly into standard 120 volt outlet.



TROUBLESHOOTING.....

If you experience difficulty operating your cordless phone, try the suggestions below.

If the trouble persists, call the Southwestern Bell Freedom Phone® Retail Sales Toll Free Help Line at 1-800-366-0937, Monday - Friday 8:30a.m. - 9:00p.m. EST Saturday 8:30a.m. - 12:30p.m. EST <http://www.swbfreedomphone.com>

The unit will not operate /no dial tone:

- Make sure TALK BUTTON is lit.
- Make sure AC adaptor is plugged into base unit and wall outlet.
- Make sure telephone line cord is plugged into wall jack.
- Make sure base antenna is in upright position.
- Make sure handset battery is fully charged.
- Make sure you have selected correct dialing mode, tone (touch) or pulse (rotary).
- Make sure you are within usable range of the base station.
- Reset security code by placing handset in base for 5-10 seconds.

The phone does not ring when you receive a call:

- Make sure the RINGER switch on base is turned ON.
- Make sure AC adaptor is plugged into base unit and wall outlet.
- Make sure telephone line cord is plugged into wall jack.
- Make sure you are within usable range of the base station.
- You might have too many extension phones on your line. Try unplugging a few.

Noise, static, interference or other calls heard while using handset or headset:

- Try changing channels.
- Make sure base antenna is in upright position.
- Make sure you are within usable range of the base station.
- Make sure AC adaptor is not plugged into wall outlet with other appliances.
- Try relocating base unit to another location.
- Make sure handset battery is fully charged.



Phone will not hold charge:

- Make sure charging contacts on the handset and base are free of dust and dirt. Clean contacts with a soft cloth.
- Make sure CHARGE LED on base is lit when handset is in cradle.
- If necessary, replace handset battery. (See Handset Battery Charging)

Difficulty in placing or receiving calls:

- Move closer to base and try again.
- If moving closer doesn't work, you may have lost security code. Reset code by placing handset back on base for 5-10 seconds. (See Security Code section)
- Make sure you have selected correct dialing mode, tone or pulse.
- Make sure AC adaptor is not plugged into wall outlet with other appliances. Disconnect for 5-10 seconds then reconnect. Place handset back on base and then replug AC adaptor.
- Make sure handset battery is fully charged.

Pause

A 4-second PAUSE may be inserted into the speed dialing of telephone numbers. Press **REDIAL** button at required point during storage of a number in memory.

Page / Handset Locator

Send a signal from the base to handset. Press **PAGE** button on base and a series of rings will sound from handset.

To locate the handset (if it is away from the base), press and hold the **PAGE** button for about 5 seconds. A series of rings will sound for approximately 60 seconds. Return the handset to the base or press the **TALK** button to cancel the page.

Memory Feature

Store up to 10 numbers in memory for quick dialing.

To Program Frequently Called Numbers

1. Pick up handset, with **TALK** off.
2. Open flip and press **MEMO (MEMORY)** button.
3. Dial phone number (up to 16 digits).
4. Press **MEMO** button again.
5. Press a number key (0-9) for the memory location where the number is to be stored.
6. A long beep will confirm the number has been successfully stored.
7. Record numbers to be speed dialed on memory index label, which can be adhered to the base or other desired locations.

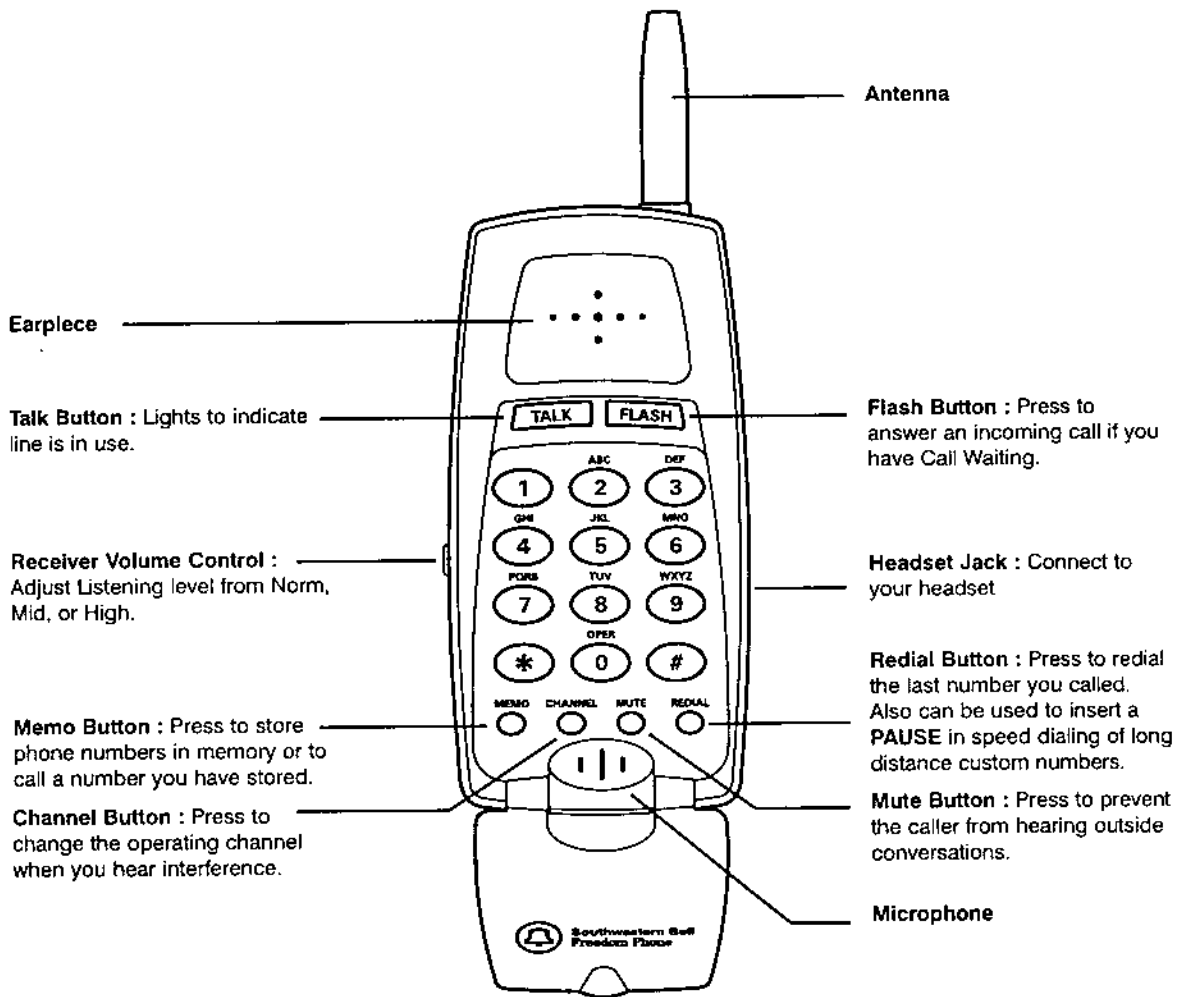
NOTE: If a 17th digit is accidentally pressed or a pause of more than 30 seconds occurs during programming, an error tone will sound. Try again. Each **TONE (*)** or **PAUSE** entered uses one of the 16 available memory digits.

Change a Stored Number

Replace a stored number by programming a new number in its place.

Dialing a Number Stored in Memory

1. Press **TALK** button.
2. Open flip and press **MEMO**.
3. Press memory location (0-9) assigned to number being called.



OPERATIONS.....

- Reorient or relocate the receiving antenna.
- Increase the separation between the equipment and receiver.
- Connect the equipment into an outlet on a circuit different from that to which the receiver is connected.
- Consult the dealer or an experienced radio TV technician for help.

40-Channel Operation

The FF940 cordless telephone automatically searches and selects the clearest of 40 channels when it is being used.

Security Code

The security code prevents your cordless telephone conversation from being accessed by a phone on a different line. Once the handset battery is fully charged, the handset will automatically select the code from a total of over 65,000 combinations. The code is changed every time the handset is placed in the cradle.

If you experience difficulty with placing or receiving calls, a lost security code may be the cause of the problem. When this occurs, the handset can no longer communicate with the base. Reset by placing handset on base for 5-10 seconds. If that does not work, unplug the AC adaptor from the wall outlet. Disconnect the handset battery for 5-10 seconds, then reconnect. Place handset back on base and then replug the AC adaptor.

Placing a Call

1. Press **TALK** button.
2. **TALK** BUTTON on handset will light.
3. When you hear a dial tone, open flip and place your call.
4. While on a call, if you experience noise or static:
 - a. Press **CHANNEL** on handset until a clear channel is found; the call will not be interrupted.Or
 - b. Move closer to base.

NOTE: You must be in usable range to change channels. Base antenna should be in upright position.

Using the Headset

1. Plug headset into headset jack on the side of the handset.
2. Position headset comfortably on your head.
3. Adjust speaking wand, placing it near your mouth.
4. Place call following steps above.
5. For hands free conversation, attach the belt clip on the back of the handset to your clothing.

NOTE: You cannot speak through both the handset and the headset at the same time. You must unplug the headset in order to hear and speak through the handset.

NOTE: When the headset is not in use, it can be easily stored on the headset hanger. The hanger can be removed from the base if desired. To remove the hanger, push up on the tab and pull hanger out from base.

Receiving a Call

1. IF THE HANDSET IS OUT OF THE BASE UNIT, press **TALK**.
2. IF THE HANDSET IS IN THE BASE UNIT, lift the handset.
Do not press **TALK**. You will automatically be connected.

Ending a Call

1. Place the handset in the base or press **TALK** to be disconnected from the line.
2. **TALK** BUTTON on handset will turn off.

Flash

Use the **FLASH** button to activate custom calling services such as Call Waiting or Three-Way Calling (*Special subscription from your local telephone company required).

Temporary Tone (*)

PULSE (rotary) service users may access touch-tone features needed to operate answering machines or use electronic banking, calling cards, etc., by pressing the **TONE** (*) button. Phone will automatically return to pulse dialing after the call ends.

Out of Range

If you experience static while using the telephone, move closer to the base or change the channel by pressing the channel button.

Redial

Last number dialed (up to 32 digits) is stored in redial memory until another number is dialed.

1. Press **TALK** on handset.
2. When you hear a dial tone, open flip and press **REDIAL**.

WARRANTY, EXPRESSED OR IMPLIED, WHATSOEVER.

This warranty gives you specific legal rights, and you may also have other rights which vary from state to state.

FCC WANTS YOU TO KNOW.....

This equipment complies with Part 68 of the FCC rules. On the bottom of the base of this equipment is a label that contains, among other information, the FCC Registration Number, Ringer Equivalence Number (REN) and the Universal Service Order Code (USOC), which is RJ-11C, for this equipment. You must, upon request, provide this information to your telephone company.

The REN is useful to determine the quantity of devices you may connect to your telephone line and still have all of those devices ring when your telephone number is called. In most, but not all cases, the sum of the REN's of all devices connected to one line should not exceed five (5.0). To be certain of the number of devices you may connect to your line, as determined by the REN, you should contact your local telephone company to determine the maximum REN for your calling area.

If your telephone equipment causes harm to the telephone network, the telephone company may discontinue your service temporarily. If possible, they

will notify you in advance. But if advance notice isn't practical, you will be notified as soon as possible. You will be informed of your right to file a complaint with the FCC.

Your telephone company may make changes in its facilities, equipment, operations, or procedures that could affect the proper functioning of your equipment. If they do, you will be notified in advance to give you an opportunity to maintain uninterrupted telephone service. If you experience trouble with this telephone equipment, disconnect from the network until the problem has been corrected or until you are sure that the equipment is not malfunctioning.

This equipment may not be used on coin service provided by the telephone company. Connection to party lines is subject to state tariffs.

This equipment is hearing aid compatible.

WARNING: Changes or modifications to this unit not expressly approved by the party responsible for compliance could void the user's authority to operate the

equipment.

NOTE: This equipment has been tested and found to comply with the limits for a Class B digital device, pursuant to Part 15 of the FCC Rules. These limits are designed to provide reasonable protection against harmful interference in a residential installation. Some cordless telephones operate at frequencies that may cause interference to nearby TV's and VCR's. To minimize or prevent such interference, the base of the cordless telephone should not be placed near or on top of a TV or VCR. If interference is experienced, moving the cordless telephone farther away from the TV or VCR will often reduce or eliminate the interference. However, there is no guarantee that interference will not occur in a particular installation. If this equipment does cause harmful interference to radio or television reception, which can be determined by turning the equipment off and on, the user is encouraged to try to correct the interference by one or more of the following measures:

- Reorient or relocate the receiving antenna.
- Increase the distance between the equipment and the receiver.
- Connect the equipment to a different power outlet or circuit.
- Consult the dealer or a qualified radio/television technician for help.

LIMITED WARRANTY.....

This **Southwestern Bell Freedom Phone®** is warranted to the original purchaser to be free from defects in materials and workmanship under normal installation, use, and service for a period of one (1) year from the date of purchase as shown on the purchaser's receipt.

The obligation of **Southwestern Bell Freedom Phone®** Retail Sales under this warranty shall be limited to repair or replacement (at our option) during the warranty period of any part which proves defective in material or workmanship under normal installation, use, and service, provided the product is returned to **Southwestern Bell Freedom Phone®** Retail Sales. **TRANSPORTATION CHARGES PREPAID** (California residents call 1-800-366-0937 for shipping instructions). If we choose to replace your **Southwestern Bell Freedom Phone®** product, the replacement will be warranted for either (a) 90 days or (b) the remainder of the original one year warranty period, whichever is longer. Battery packs are warranted for the same

period. Products returned to us must be accompanied by a copy of the purchase receipt. In the absence of such purchase receipt, the warranty period shall be one (1) year from the date of manufacture. To obtain service under this warranty, return the defective product to the service center nearest you together with your sales slip and \$9.50 for postage and handling (California residents need only provide proof of purchase).

This warranty shall be invalid if the product is damaged as a result of defacement, misuse, abuse, neglect, accident, destruction, or alteration of the serial number, improper electrical voltages or currents, repair alteration or maintenance by any person or party other than our own service facility or an authorized Service Center, or any violation of instructions furnished by us. This warranty is also rendered invalid if this product is removed from the country in which it was purchased, if it is used in a country which it is not registered for use, or if it is used in a country for which it was not designed. Due to variations in

telephone systems and communications laws, this product may be illegal for use in some countries. **Southwestern Bell Freedom Phone®** Retail Sales assumes no responsibility for damages or penalties incurred resulting from the use of this product in a manner or location other than that from which it is intended. This one-year limited warranty is in lieu of all other express warranties, obligations, or liabilities. **ANY IMPLIED WARRANTIES, OBLIGATIONS, OR LIABILITIES, INCLUDING BUT NOT LIMITED TO THE IMPLIED WARRANTIES OF MERCHANTABILITY AND FITNESS FOR A PARTICULAR PURPOSE, SHALL BE LIMITED IN DURATION TO THE ONE-YEAR DURATION OF THIS WRITTEN LIMITED WARRANTY. SOME STATES DO NOT ALLOW LIMITATIONS ON HOW LONG AN IMPLIED WARRANTY LASTS, SO THE ABOVE LIMITATIONS MAY NOT APPLY TO YOU.** IN NO EVENT SHALL WE BE LIABLE FOR ANY SPECIAL, INCIDENTAL OR CONSEQUENTIAL DAMAGES FOR BREACH OF THIS OR ANY OTHER

WARRANTY. This warranty does not create any other rights or obligations.



IMPORTANT SAFETY INSTRUCTIONS.....

BEFORE USING YOUR TELEPHONE EQUIPMENT, BASIC SAFETY PRECAUTIONS SHOULD ALWAYS BE FOLLOWED TO REDUCE THE RISK OF FIRE, ELECTRIC SHOCK AND INJURY TO PERSONS, INCLUDING THE FOLLOWING:

1. Read and understand all instructions.
2. Follow all warnings and instructions marked on the product.
3. Unplug this product from the wall telephone jack and power outlet before cleaning. Do not use liquid cleaners or aerosol cleaners. Use damp cloth for cleaning.
4. Do not use this product near water; for example, near a bathtub, wash bowl, kitchen sink, laundry tub, swimming pool, or in a wet basement.
5. Do not place this product on an unstable cart, stand or table. The product may fall, causing serious damage to the product.
6. Slots or openings in the cabinet and the back and bottom are provided for ventilation, to protect it from overheating. These openings must not be blocked or covered. The openings should never be blocked by placing the product on the bed, or other similar surface. This product should never be placed near or over a radiator or heat register. This product should not be placed in a built-in installation unless proper ventilation is provided.
7. This product should be operated only from the type of power source indicated on the marking label. If you are not sure of the type of power supply to your home, consult your dealer or local power company.
8. Do not allow anything to rest on the power cord. Do not locate this product where the cord will be damaged by persons walking on it.
9. Do not overload wall outlets extension cords, as this can result in fire or electric shock.
10. Never push objects of any kind into this product through cabinet slots, as they may touch dangerous voltage points or short out parts. This could result in fire or electric shock. Never spill liquid of any kind on this product.
11. To reduce the risk of electric shock, do not disassemble this product. Instead, when some repair work is required, take the unit to a qualified technician. Opening or removing covers may expose you to dangerous voltages or other risks. Incorrect reassembly can cause electric shock when the appliance is subsequently used.
12. Unplug this product from the wall outlet and refer servicing to qualified service personnel under the following conditions:
 - a. When the power supply cord or plug is damaged or frayed.
 - b. If liquid has been spilled into the product.
 - c. If the product has been exposed to rain or water.
 - d. If the product does not operate normally and proper operating instructions have been followed, adjust only those controls that are covered by the operating instructions. Improper adjustment of other controls may result in damage and will often require extensive work by a qualified technician to restore the product to normal operation.
 - e. If the product has been dropped or cabinet has been damaged.
 - f. If the product exhibits a distinct change in performance.
13. Avoid using telephone (other than a cordless type) during an electrical storm. There may be a remote risk of electrical shock from lightning.
14. Do not use the telephone to report a gas leak in the vicinity of the leak.

SAVE THESE INSTRUCTIONS

SAFETY INSTRUCTIONS FOR BATTERIES.....

CAUTION: To reduce the risk of fire or personal injury, read and follow these instructions.:

1. Use only a Southwestern Bell Freedom Phone® approved battery pack in the handset of your cordless telephone.
FOR HANDSET UNIT:
GP40AAA3BMX 3.6V 400mAh
GPI International Ltd.
2. Do not dispose of the battery in a fire, as it may explode. Check with local codes for possible special disposal instructions.
3. Do not open or mutilate the battery. Released electrolyte is corrosive and may cause damage to the eyes and skin. It may be toxic if swallowed.
4. Exercise care in handling batteries in order not to short the battery with conducting materials such as rings, bracelets and keys. The battery or conduction material may overheat and cause burns.
5. Charge the battery (ies) provided with or identified for use with this product only in accordance with the instructions and limitations specified in this manual.
6. Observe proper polarity orientation between the Battery Pack and battery charger.

