

Samsung "Max Heat" FJM Series, 4 Port Condensing Unit

Job Name \_\_\_\_\_  
 Purchaser \_\_\_\_\_  
 Submitted to \_\_\_\_\_  
 Unit Designation \_\_\_\_\_

Location \_\_\_\_\_  
 Engineer \_\_\_\_\_  
 Reference \_\_\_\_\_ Approval \_\_\_\_\_ Construction \_\_\_\_\_  
 Schedule # \_\_\_\_\_



Model	US Code	JXH36S4B	
	Model Number	AJ036BXS4CH/AA	
Performance*	Capacity (standard / max.)	Cooling (Btu/h)	34,000 / 39,600
		Heating (Btu/h)	36,000 / 36,600
	Heating Capacity at 5°F OA, 70° Indoor DB (Btu/h)	36,600	
	Heating Capacity at -13°F OA, 70° Indoor DB (Btu/h)	25,590	
	Minimum Cooling Capacity (Btu/h)	6,500	
	Minimum Heating Capacity (Btu/h)	7,500	
	SEER (Ducted / Mixed / Non-ducted)	18.0 / 19.0 / 20.0	
	EER (Ducted / Mixed / Non-ducted)	11.0 / 11.75 / 12.5	
HSPF (Ducted / Mixed / Non-ducted)	9.1 / 9.8 / 10.5		

Power	Voltage	(ø)V/Hz	1 / 208-230 / 60
	Nominal Current <sup>1</sup>	Cooling (A)	13.0
		Heating (A)	12.2
	Max. Breaker	Amps	40
	Minimum Circuit Ampacity (A)	36.5	

Dimensions	W X H X D	Inches	37 x 47 5/8 x 13
	Weight	lbs.	192.9

Noise Level	Cooling	dB (A)	52
	Heating	dB (A)	55

Operating Temperatures	Cooling	14 ~ 114.8°F (-5 ~ 46.0°C)	
	Heating	-13 ~ 75°F (-25 ~ 24.0°C)	

Pipe Connections	High Side	1/4" X 4		
	Low Side (suction)	3/8" X 2 + 1/2" X 2		
	Maximum Individual Line Set Length	82 ft		
	Maximum Line Set Length (total)	230 ft		
	Maximum Vertical Separation	Outdoor to Indoor	49 ft	
		Highest to lowest indoor	25 ft	
Included Pipe Adapters	2 - 1/2" X 3/8", 2 - 1/2" X 5/8"			

Condenser Fan	Motor	BLDC With Propeller Fan (2)	
	Output	Watts / FLA	125 X 2 / 1.28 X 2
CFM		3,885	

Compressor	Type	Twin BLDC Rotary Inverter	
	RLA	Amps	25.6

Heat Exchanger	Type	Aluminum Fin - Copper Tube	
----------------	------	----------------------------	--

Refrigerant	Type	R410A	
	Control Method	Electronic Expansion Valve	
	Factory Charge	127 oz	
	Charged for	164 ft	
	Additional Refrigerant	0.22 oz/ft over 164 ft	

Accessories	Wall Bracket	CKN-250	
	Wind Baffle	Front	WBF-1M2
		Back	WBB-2M-B

Certifications	Safety	ETL (UL 1995)	
	AHRI Certification Number	Non-Ducted	207349920
		Ducted	207350085
		Mixed	207350834
	ENERGY STAR® Certification	Applies to AHRI non ducted listing	

Warranty	10 Years compressor, 10 year parts, 1 year limited labor (registration required)		
----------	--	--	--

**General Information**

- The Samsung Max Heat system shall provide high heating capacity at -13°F outside temperature
- The outdoor unit shall supply power individually to the indoor units via 14 AWG X 3 power wire
- The outdoor unit shall have a base pan heater as standard to ensure optimal defrost cycle water drainage
- Auto-restart after power loss
- Available maximum current setting option to reduce operating current.
- System energy consumption can be viewed using Samsung SmartThings mobile app (not revenue grade, for reference only).
- Soft-start to reduce current demand during compressor start
- Optional snow accumulation prevention setting to prevent snow drifting against idle outdoor units
- Auto or manual addressing of indoor units

**Construction**

- The outdoor unit shall be galvanized steel with a baked on powder coated finish for durability

**Heat Exchanger**

- The heat exchanger shall be mechanically bonded fin to copper tube

**Controls**

- Control signal shall be a DDC type signal
- Interconnect control wire between outdoor and indoor units shall be 16AWG X 2
- Controls shall integrate with a BMS system
- The system shall integrate with the Samsung Controls solution

**Refrigerant System**

- The refrigerant shall be R410A
- The compressor shall be hermetically sealed, inverter controlled, Twin BLDC Rotary
- Refrigerant flow shall be controlled by 4 separate electronic expansion valves at outdoor unit

**Indoor Unit Compatibility**

Will only operate with Samsung evaporator model numbers:  
 AR\*\*TSFABWKNCV (RNS\*\*ABT): 7,000 - 24,000 Btu/h models  
 AR\*\*BSFCMWKNCV (RNS\*\*CMB): 7,000 - 24,000 Btu/h models  
 AR\*\*TSFYBWKNCV (RNS\*\*YBT): 7,000 - 24,000 Btu/h models  
 AC0\*\*BNNDCH/AA (CNH\*\*NDB): 9,000 - 18,000 Btu/h models  
 AC0\*\*BN1DCH/AA (CNH\*\*1DB): 9,000 - 12,000 Btu/h models  
 AC0\*\*BNJDCH/AA (CNH\*\*JDB): 9,000 - 18,000 Btu/h models  
 AC0\*\*BNLDCH/AA (CNH\*\*LDB): 9,000 - 18,000 Btu/h models  
 AC0\*\*BNZDCH/AA (CNH\*\*ZDB): 12,000 - 24,000 Btu/h models  
 AJ0\*\*BNHDCH/AA (JNH\*\*HDB): 9,000 - 18,000 Btu/h models

Proper sizing and installation of equipment is critical to achieve optimal performance. Split system air conditioners and (excluding ductless systems) must be matched with appropriate coil components to meet ENERGY STAR® criteria. Ask your contractor for details or visit [www.energystar.gov](http://www.energystar.gov).

\* Certified in accordance with the AHRI Unitary Small Air-Source Heat Pumps (USHP) Certification Program which is based on the latest edition of AHRI Standard 210/240. Refer to [www.AHRIdirectory.org](http://www.AHRIdirectory.org) for current reference numbers.

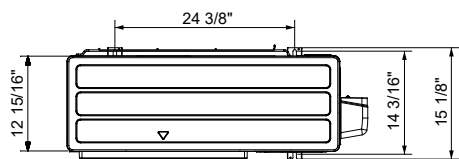
<sup>1</sup> Rated current is based on highest combination ratio of non-ducted indoor units.

Samsung HVAC maintains a policy of ongoing development, specifications are subject to change without notice.

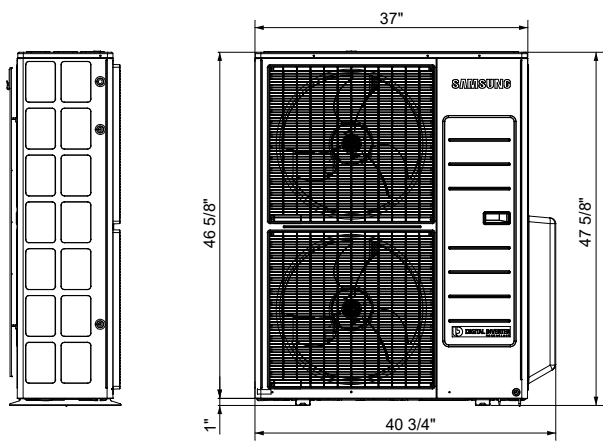


Samsung "Max Heat" FJM Series, 4 Port Condensing Unit

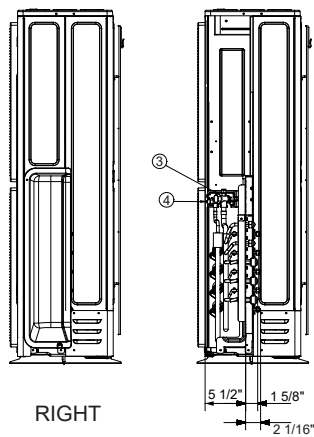
Dimensional drawing



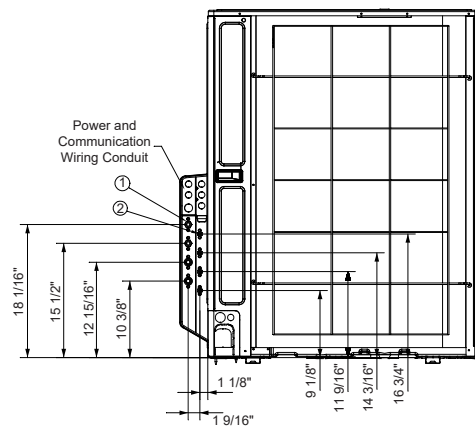
TOP



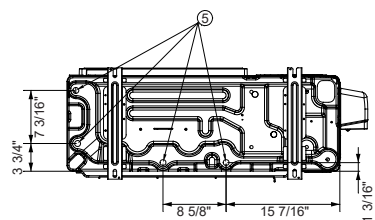
FRONT



RIGHT



BACK

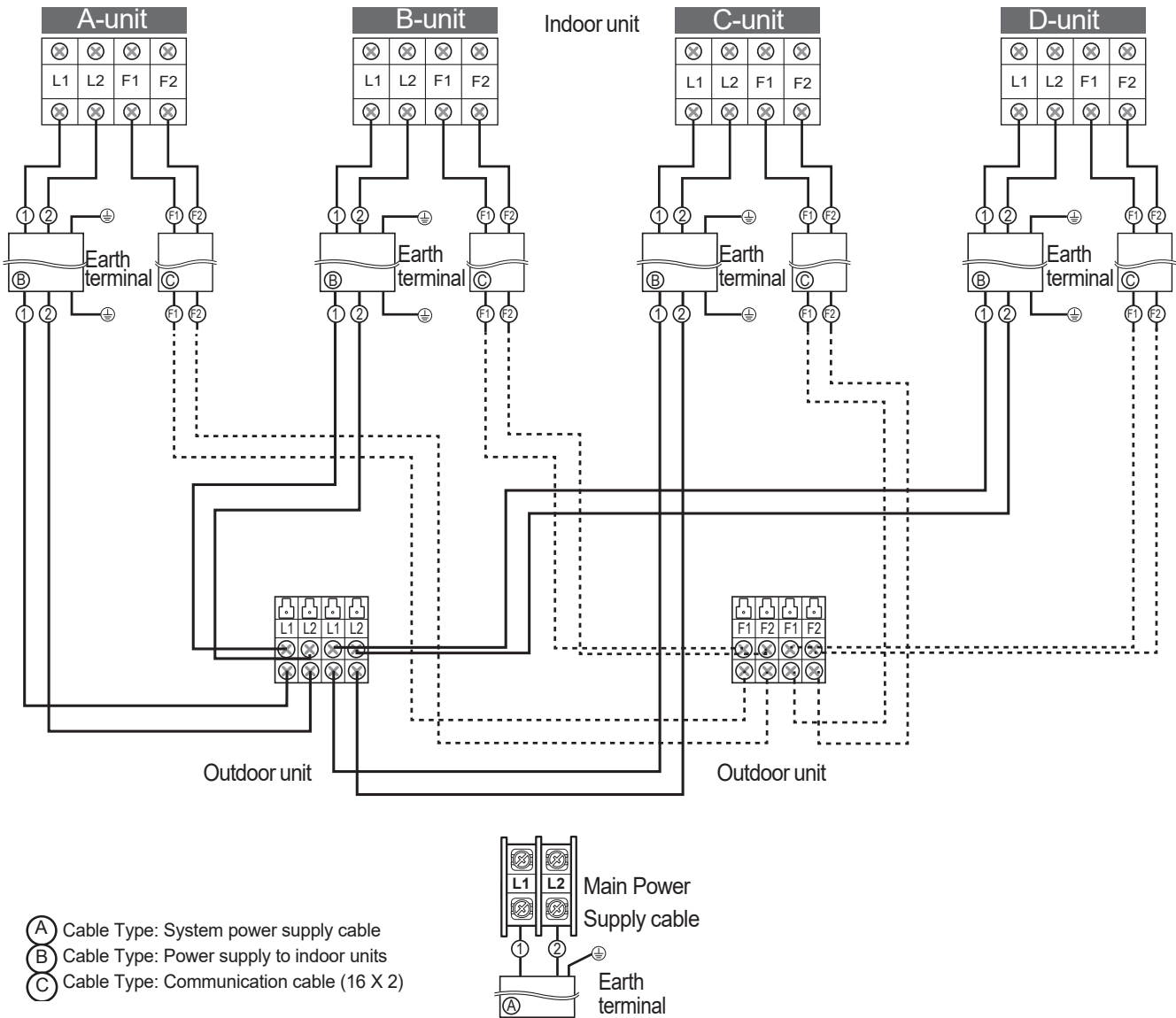


BOTTOM

No.	Name	Description
1	Refrigerant suction pipes	$\phi 3/8" \times 2, \phi 1/2" \times 2$
2	Refrigerant liquid pipes	$\phi 1/4" \times 4$
3	Service Valve (suction)	5/8"
4	Service Valve (liquid)	3/8"
5	Drain holes	Connection with provided drain fitting



## Basic Wire Connection Diagram



This simple wiring diagram is for reference only. Please refer to installation manuals for full details and requirements.