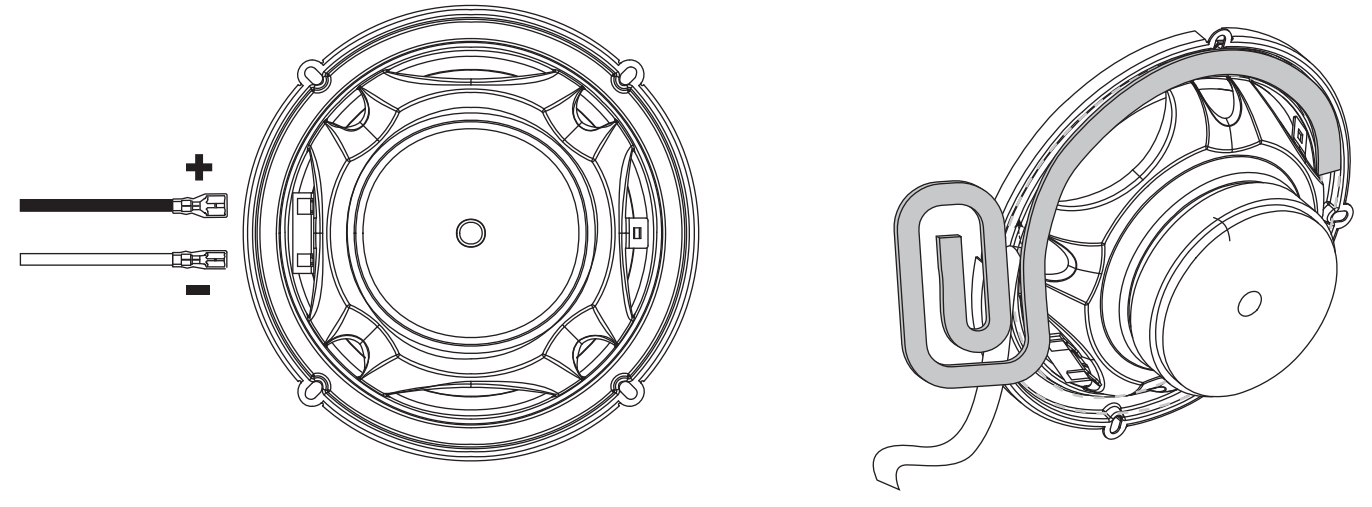
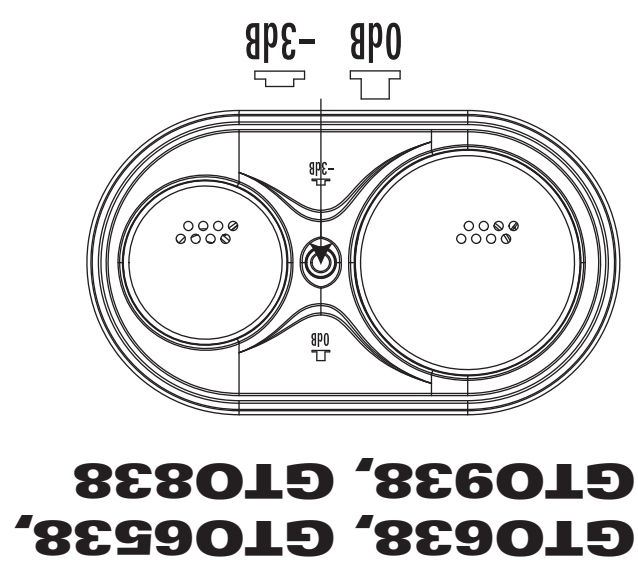


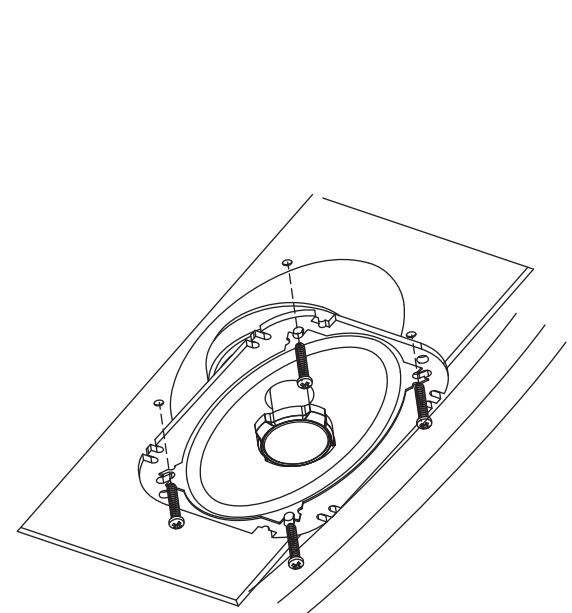
GT0928, GT0528, GT0628, GT06528, GT08628



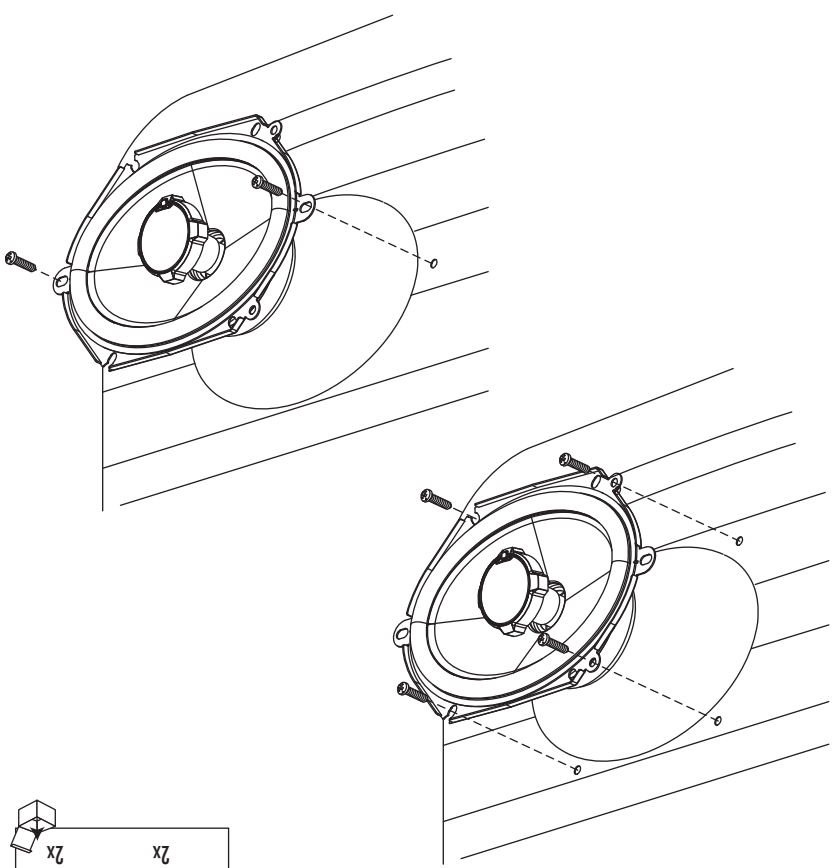
GT0428, GT0528, GT0628, GT0638, GT06528, GT06538, GT0838, GT0928, GT0938, GT0328, GT08628



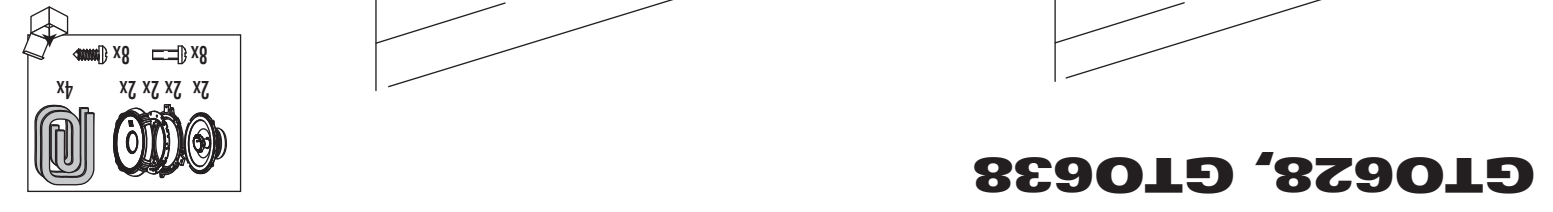
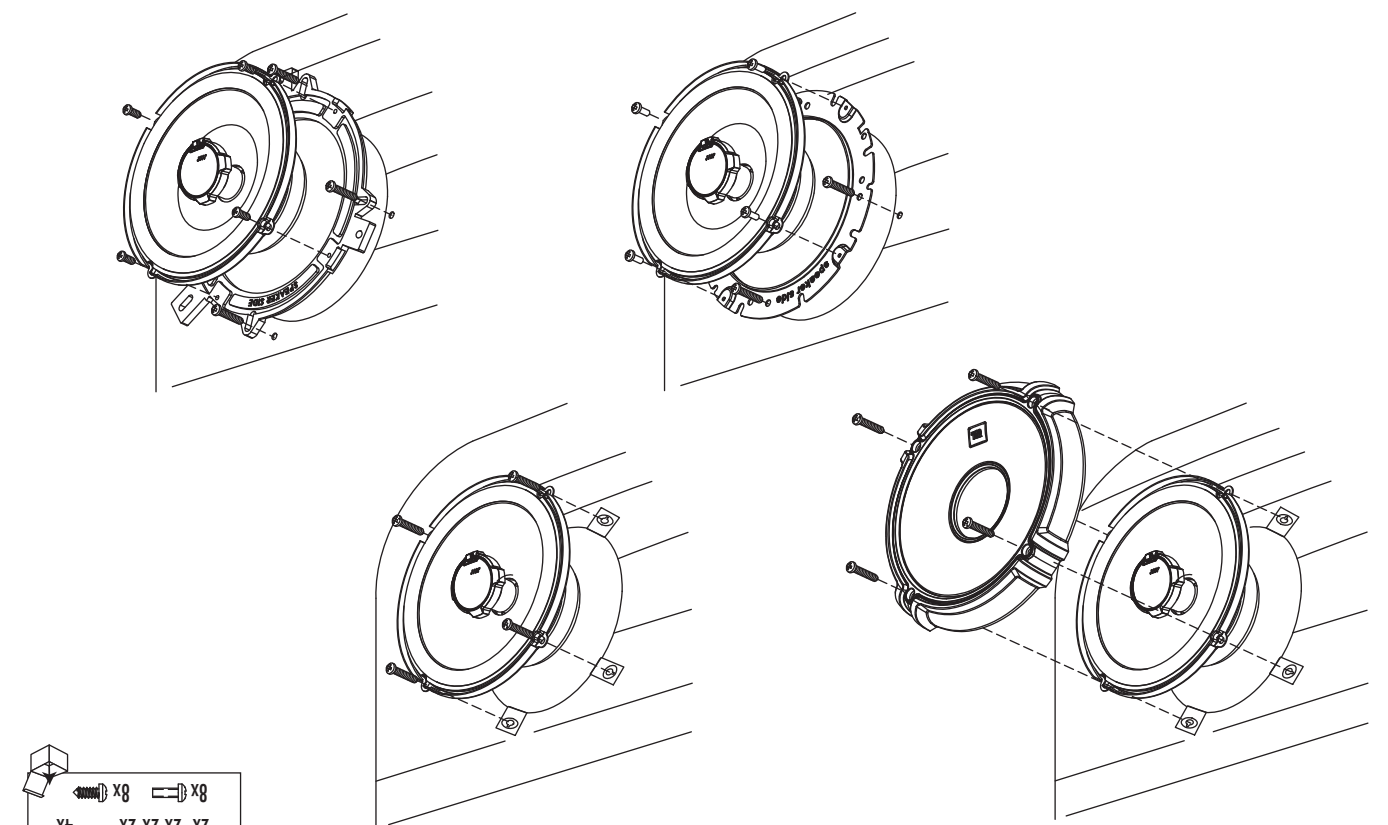
GT0638, GT06538, GT0938, GT0838



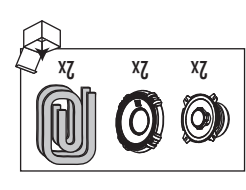
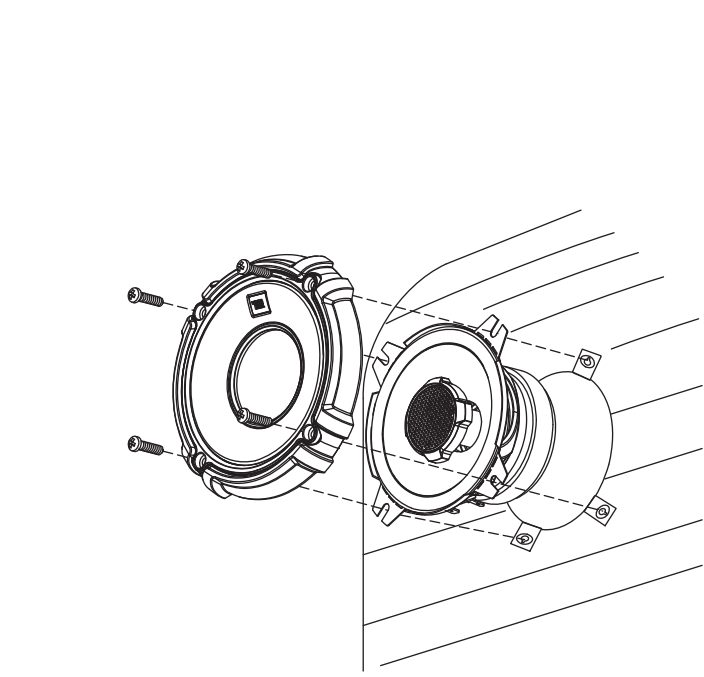
GT06428



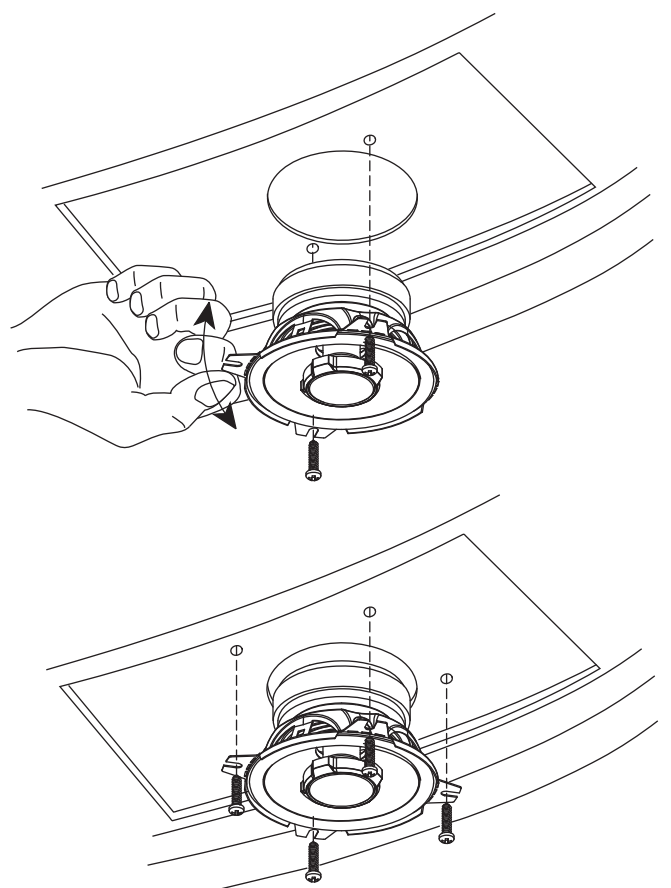
GT08628, GT06528S



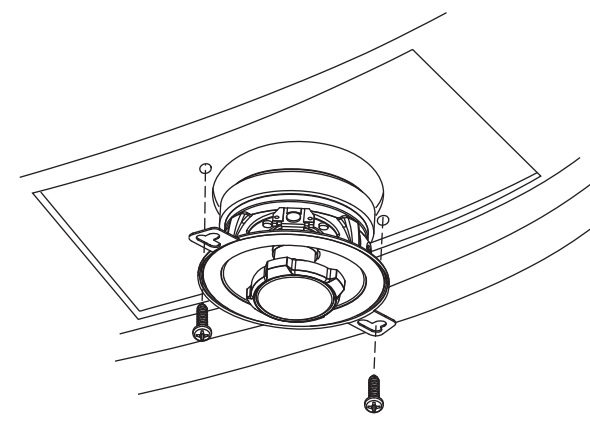
GT0628, GT0638



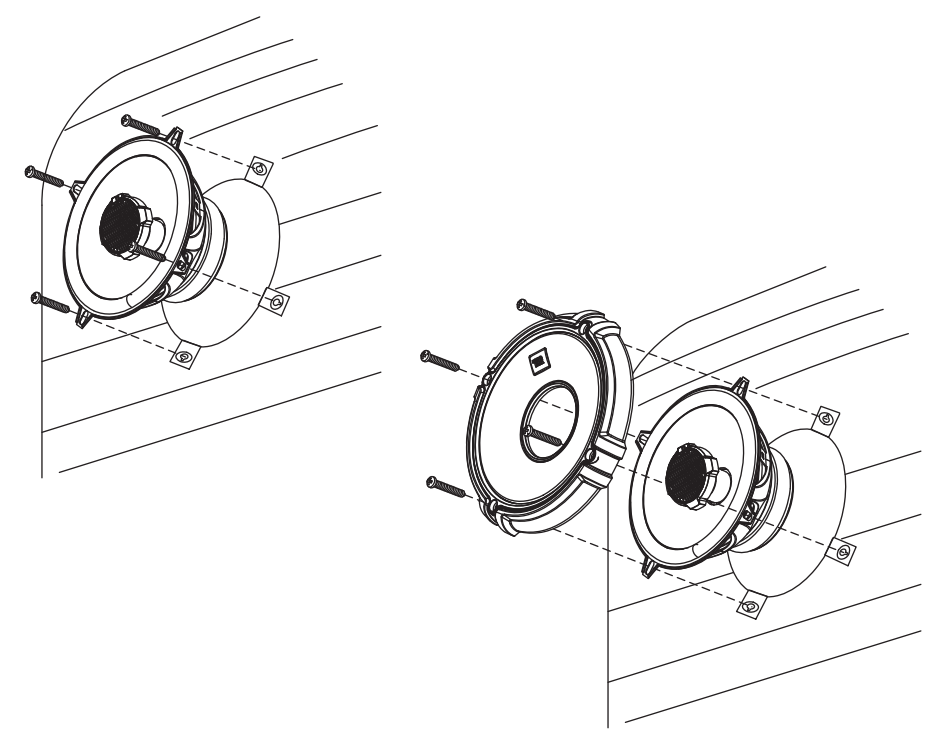
GT0428



GT0428



GT0328



GT0528, GT0928, GT0938, GT0838, GT06528, GT06538

Designed and engineered in the USA.
A valid serial number is required for warranty coverage.
Features, specifications and appearance are subject to change without notice.
These products are designed for mobile applications and are not intended for connection to the mains.
Harman Consumer Group, Inc., 9500 Balboa Blvd., Northridge, CA 91329 USA • www.jbl.com
© 2009 Harman International Industries, Incorporated. All rights reserved. Part No. GT0ME0M4/09
JBL and Grand Touring are trademarks of Harman International Industries, Incorporated, registered in the United States and/or other countries.
H Harman International

Declaration of Conformity
CE
We, Harman Consumer Group, Inc.
2, route de Tours
72500 Château du Loir
France
declare in own responsibility that the products described in this owner's manual are in compliance with technical standards:
EN 61000-6-3:2001
EN 61000-6-1:2001
Klaus Leberitz
Harman Consumer Group, Inc.
Château du Loir, France 409



www.jbl.com

GRAND TOURING® SERIES

- GT0428**
- GT0528**
- GT0628**
- GT0638**
- GT06528**
- GT06528S**
- GT06538**
- GT0838**
- GT0928**
- GT0938**
- GT0328**
- GT06428**
- GT08628**

